

VG500

VG500a

| | |
|------------------------|---|
| PROFIELOVERZICHT | 9 |
| APERCU DES PROFILES | |
| PROFILUEBERSICHT | |
| PROFILE OVERVIEW | |

VG500b

| | |
|------------------|----|
| TOEBEHOREN | 97 |
| ACCESSOIRES | |
| ZUBEHORTEILE | |
| ACCESSORIES | |

VG500c

| | |
|--------------------------|-----|
| DOORSNEDETEKENINGEN..... | 139 |
| SECTION DE NOEUDS | |
| PROFILKOMBINATIONEN | |
| SECTION DRAWINGS | |

VG500d

| | |
|---------------|-----|
| STATICA | 325 |
| STATIQUE | |
| STATIK | |
| STATICS | |

VG500e

| | |
|--------------------|-----|
| ZAAGTABELLEN | 347 |
| COUPES ET DEBITS | |
| ZUSCHNITTSTABELLEN | |
| FABRICATION CHARTS | |

VG500f

| | |
|-------------------------|-----|
| WERKTEKENINGEN | 429 |
| DESSINS DE CONSTRUCTION | |
| KONSTRUKTIONZEICHNUNGEN | |
| CONSTRUCTION DRAWINGS | |

aliplast

member of



CORIALIS

10/1/22

VOOR MEER INFO IN VERBAND MET DE VOORBEREIDING / VERWERKING
RAADPLEEG ONZE ALGEMENE VERWERKINGSVOORSCHRIFTEN

POUR PLUS D'INFORMATIONS CONCERNANT LA PREPARATION / USINAGE
CONSULTEZ NOS RECOMMANDATIONS DE TRAITEMENT

FÜR WEITERE INFORMATIONEN ÜBER DIE VORBEREITUNG / VERARBEITUNG
KONSULTIEREN SIE UNSERE VERARBEITUNGSVORSCHRIFTEN

FOR MORE INFORMATION CONCERNING THE PREPARATION / PROCESSING
CONSULT OUR GENERAL PROCESSING INSTRUCTIONS

DE TEKENINGEN DIE VOORGESTELD ZIJN OP SCHAAL 1:1, KUNNEN
KLEINE MAATAFWIJKINGEN VERTONEN, TE WIJTEN AAN DE
REPRODUCTIETECHNIEK VAN DEZE CATALOGOOG.

LES DESSINS REPRÉSENTÉS À L'ÉCHELLE 1 PEUVENT AVOIR DE
LÉGÈRES VARIATIONS DIMENSIONNELLES DUES AUX TECHNIQUES
DE REPRODUCTION DE CE CATALOGUE.





DIE ZEICHNUNGEN IM MAßSTAB 1:1 KÖNNEN AUS TECHNISCHEM
REPRODUKTIONSGRÜNDEN LEICHTE MESSUNG SCHWANKUNGEN
DARSTELLEN.

THE DRAWINGS REPRESENTED ON A SCALE 1 BASIS MAY HAVE
LIGHT DIMENSIONAL VARIATIONS DUE TO THE REPRODUCTION
OF THE MANUAL.

| DATUM | PAGINA | OMSCHRIJVING |
|------------|------------|--|
| DATE | PAGE | DESCRIPTION |
| DATUM | SEITE | BESCHREIBUNG |
| DATE | PAGE | DESCRIPTION |
| 07/03/2019 | 450 | ACVG256 TOEGEVOEGD ACVG256 AJOUTÉ ACVG256 HINZUGEFUGT ACVG256 ADDED |
| 12/03/2019 | 422 | KOPPELINGEN 90° - 180° - 270° CONNECTION 90° - 180° - 270° KOPPLUNGEN 90° - 180° - 270° CONNECTION 90° - 180° - 270° |
| 11/04/2019 | 408 | >> VG619-2RAIL-1F-2O-90-1F >> VG619-2RAIL-1F-2O(LS)-90-1F >> VG619-2RAIL-1F-2O(LS)-90-1F - SLIM |
| 30/04/2019 | 457 473 | WERKTEKENINGEN VG543 DESSINS DE CONSTRUCTION VG543 KONSTRUKTIONZEICHNUNGEN VG543 CONSTRUCTION DRAWINGS VG543 |
| 29/05/2019 | 515 | UPDATE WERKTEKENING COMFORTCLOSE UPDATE DESSINS DE CONSTRUCTION COMFORTCLOSE UPDATE KONSTRUKTIONZEICHNUNGEN COMFORTCLOSE UPDATE CONSTRUCTION DRAWINGS COMFORTCLOSE |
| 29/05/2019 | 523 | WERKTEKENING MAXLIGHT: VLEUGELSTEUNEN DESSIN DE CONSTRUCTION SUPPORT DE VANTAIL KONSTRUKTIONZEICHNUNGEN FLUEGELUNTERSTUETZUNG CONSTRUCTION DRAWINGS VENT SUPPORT |
| 29/05/2019 | | ACVG3618/ACVG3690 BESCHIKBAAR ACVG3618/ACVG3690 DISPONIBLE ACVG3618/ACVG3690 VERFUGBAR ACVG3618/ACVG3690 AVAILABLE |
| 18/06/2019 | | AANPASSING BEREIK ACGV269/270/.../273 EN ACGV277/278/279 ADAPTATION APPLICATION ACGV269/270/.../273 ET ACGV277/278/279 EINSTELLUNG ANWENDUNGSBEREICH ACGV269/270/.../273 UND ACGV277/278/279 ADJUSTMENT APPLICATION ACGV269/270/.../273 AND ACGV277/278/279 |
| 17/07/2019 | 545 | SKG** - 2RAIL - 1F-2O-1F SKG** - 2RAIL - 1F-2O-1F SKG** - 2RAIL - 1F-2O-1F SKG** - 2RAIL - 1F-2O-1F |
| 20/08/2019 | | !> VG660 |

VG500

| DATUM | PAGINA | OMSCHRIJVING |
|------------|------------|--|
| DATE | PAGE | DESCRIPTION |
| DATUM | SEITE | BESCHREIBUNG |
| DATE | PAGE | DESCRIPTION |
| 05/09/2019 | 501 | !> FLAT-LIFT&SLIDE(4-SASH) |
| 07/11/2019 | | >>MONTAGE SLUITNOKKEN HEFSCHUIF MET VG632 >>MONTAGE GACHES SOULEVANT AVEC VG632 >>MONTAGE RIEGELBOLZEN HEBESCIEBETUER MIT VG632 >>MONTAGE LOCKING BOLTS LIFT AND SLIDE WITH VG632 |
| 12/12/2019 | 373 | >>ZAAGBON 'VG619-1RAIL-1F-2O(LS) (VG5221)' >>COUPES ET DEBITS 'VG619-1RAIL-1F-2O(LS) (VG5221)' >>ZUSCHNITTSTABELLEN 'VG619-1RAIL-1F-2O(LS) (VG5221)' >>FABRICATION CHARTS 'VG619-1RAIL-1F-2O(LS) (VG5221)' |
| 08/01/2020 | | !> ACVG1277/ACVG1278/ACVG1279: WIJZIGING VLEUGELHOOGTE (FH) !> ACVG1277/ACVG1278/ACVG1279: ADAPTATION HAUTEUR D' OUVRANT (FH) !> ACVG1277/ACVG1278/ACVG1279: ANPASSUNG FLUGELHOHE (FH) !> ACVG1277/ACVG1278/ACVG1279: ADAPTATION VENTE HEIGHT (FH) |
| 08/01/2020 | | >> LIFT & SLIDE INVISO(ACVG2277/ACVG2278/...) |
| 23/01/2020 | 30 | VG347 -> VG317N |
| 10/02/2020 | 436 437 | !> ONTWATERING VG619 / VG619+ACVG316 !> DRAINAGE VG619 / VG619+ACVG316 !> ENTWASSERUNG VG619 / VG619+ACVG316 !> ONTWATERING VG619 / VG619+ACVG316 |
| 02/03/2020 | 495 | >>VLAKKE DORPEL VG516+VG517 >>SEUIL PLAT VG516+VG517 >>FLACHE UNDERPROFILE VG516+VG517 >>FLAT THRESHOLD VG516+VG517 |
| 03/03/2020 | 440 497 | >> ACUN667 AFDEKKAP WATERAFVOERSLEUVEN >> ACUN667 CAPUCHON DRAINAGE D'EAU >> ACUN667 ABDECKKAPPE ENTWAESSERUNG >> ACUN667 WEEP HOLE COVER |
| 13/05/2020 | | >> ZAAGBONNEN VG518-2RAIL-1F-2O(LS) - 2F / VG518-2RAIL-1F-2O - 2F >> COUPES ET DEBITS VG518-2RAIL-1F-2O(LS) - 2F / VG518-2RAIL-1F-2O - 2F >> ZUSCHNITTSTABELLEN VG518-2RAIL-1F-2O(LS) - 2F / VG518-2RAIL-1F-2O - 2F >> FABRICATION CHARTS VG518-2RAIL-1F-2O(LS) - 2F / VG518-2RAIL-1F-2O - 2F |

 WIJZIGING
 CHANGE
 VERWIJDERD
 SUPPRIME
 ENTFERNT
 REMOVED
 TOEGEVOEGD
 AJOUTE
 HINZUGEFUGT
 ADDED
 AANGEPAST
 ADAPTE
 ANGEFASST
 ADJUSTED

| DATUM | PAGINA | OMSCHRIJVING |
|------------|--------|--|
| DATE | PAGE | DESCRIPTION |
| DATUM | SEITE | BESCHREIBUNG |
| DATE | PAGE | DESCRIPTION |
| 13/05/2020 | | ZAAGTABELLEN - COUPES ET DEBITS - ZUSCHNITTSTABELLEN - FABRICATION CHARTS X VG612-3RAIL-1F-2O-3O- MAXLIGHT |
| 26/05/2020 | 411 | >> VG619-2RAIL-1F-2O-270-1F >> VG619-2RAIL-1F-2O(LS)-270-1F >> VG619-2RAIL-1F-2O(LS)-270-1F - SLIM >> UN507 / UN517 / ACUN507 |
| 15/06/2020 | | >> WERKTEKENINGEN-DESSINS DE CONSTRUCTION-KONSTRUKTIONZEICHNUNGEN-CONSTRUCTION DRAWINGS GLUE-VG500-ML |
| 06/07/2020 | 459 | >> AFDEKPROFIEL BUITENKADER - OPTIE C - ENKEL ONDERAAN >> PROFILE DE RECOUVREMENT - OPTION C - SEULEMENT EN DESSOUS >> ABDECKPROFIL BLENDRAHMEN - OPTION C - NUR UNTEN >> COVERING PROFILE OUTER FRAME - OPTION C - ONLY AT THE BOTTOM |
| 04/08/2020 | | >> ACVG1273 |
| 07/09/2020 | 368 | >> ZAAGBON VG619-1RAIL-1F-2OX2O-1F (VG5220) >> ZAAGBON VG619-1RAIL-1F-2OX2O-1F (VG5220) >> ZAAGBON VG619-1RAIL-1F-2OX2O-1F (VG5220) >> ZAAGBON VG619-1RAIL-1F-2OX2O-1F (VG5220) |
| 08/10/2020 | 452 | !> WERKTEKENING ACVG644&ACVG645 !> DESSIN DE CONSTRUCTION ACVG644&ACVG645 !> KONSTRUKTIONZEICHNUNG ACVG644&ACVG645 !> CONSTRUCTION DRAWING ACVG644&ACVG645 |
| 11/01/2021 | | !> ACUN667 TOEGEVOEGD AAN ZAAGBONNEN MET VLAKKE DORPEL !> ACUN667 AJOUTÉE AUX COUPES ET DEBITS AVEC SEUIL PLAT !> ACUN667 HINZUGEFUFT ZU ZUSCHNITTSTABELLEN MIT FLACHE UNDERPROFILE !> ACUN667 ADDED TO FABRICATION CHARTS WITH FLAT TRESHOLD |
| 15/01/2021 | | >>ACVG1276 |
| 15/01/2021 | 486 | |
| 15/01/2021 | 487 | >>MONTAGE MONORAIL + RS2531 |
| | ... | |

VG500

| DATUM | PAGINA | OMSCHRIJVING |
|------------|--------|---|
| DATE | PAGE | DESCRIPTION |
| DATUM | SEITE | BESCHREIBUNG |
| DATE | PAGE | DESCRIPTION |
| 15/01/2021 | 393 | >>VG619-1RAIL-1F-2O(LS)X2O(LS)-1F (VG5221) |
| 22/01/2021 | 435 | >>ONTWATERING 'VG518 + VG711' >>DRAINAGE 'VG518 + VG711' >>ENTWASSERUNG 'VG518 + VG711' >>DRAINAGE 'VG518 + VG711' |
| 02/02/2021 | 394 | >>VG619-1RAIL-1F-2O(LS) -1F (VG5221) |
| 22/02/2021 | | ACVG531: 1 SET -> SET2 !> ZAAGTABELLEN - COUPES ET DEBITS - ZUSCHNITTSTABELLEN - FABRICATION CHARTS |
| 11/03/2021 | | >> ACVG818 |
| 27/05/2021 | | X ACVL033 |
| 14/06/2021 | | UPDATE DOORSNEDES MET VG617 METTRE A JOUR COUPES AVEC VG617 AKTUALISIEREN SCHNITTES MIT VG617 UPDATE SECTIONS WITH VG617 |
| 10/08/2021 | | >>ACVG534 OP ZAAGBONNEN >>ACVG534 SUR COUPES ET DEBITS >>ACVG534 AUF ZUSCHNITTSTABELLEN >>ACVG534 ON FRABRICATION CHARTS |
| 20/10/2021 | | >> VG550 / VG650 / ACGV550 / ACGV650 |
| 23/11/2021 | | X ACGV1280 >>ACVG1280N X ACGV1274 >>ACVG1274N X ACGV2280 >>ACVG2280N |

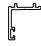




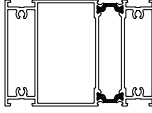
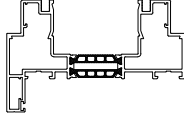


| DATUM | PAGINA | OMSCHRIJVING |
|------------|------------|--|
| DATE | PAGE | DESCRIPTION |
| DATUM | SEITE | BESCHREIBUNG |
| DATE | PAGE | DESCRIPTION |
| 13/12/2021 | 430 | >>ONTWATERING VG317N >>DRAINAGE VG317N >>ENTWAESSERUNG VG317N >>DRAINAGE VG317N |
| 17/12/2021 | 418 | PERSEN VG520N/VG521N SERTISSAGE VG520N/VG521N PRESSEN VG520N/VG521N CRIMPING VG520N/VG521N |
| 21/12/2021 | | -->UPDATE BEWERKING VOOR ACVG277/278/279 / ACVG1277/1278/1279 -->UPDATE FRAISAGE POUR ACVG277/278/279 / ACVG1277/1278/1279 -->UPDATE FRÄSEN FÜR ACVG277/278/279 / ACVG1277/1278/1279 -->UPDATE MILLING FOR ACVG277/278/279 / ACVG1277/1278/1279 |
| 07/01/2022 | 433 436 | -->UPDATE ONTWATERING VG618/VG619 + ACVG318 -->UPDATE DRAINAGE VG618/VG619 + ACVG318 -->UPDATE ENTWASSERUNG VG618/VG619 + ACVG318 -->UPDATE ONTWATERING VG618/VG619 + ACVG318 |
| 10/01/2022 | 120 490 | >> ACVG1516 |

VG500





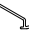
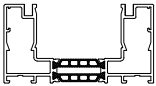
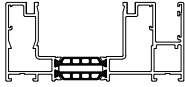
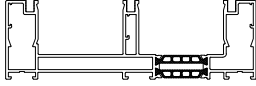
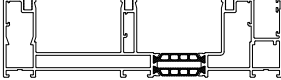
| | | | | | | | |
|---|---|---|---|---|--|---|--|
| → | WIJZIGING CHANGEMENT ANDERUNG CHANGE | ⊗ | VERWIJDERD SUPPRIME ENTFERNT REMOVED | ⇒ | TOEGEVOEGD AJOUTE HINZUGEFUGT ADDED | ⊕ | AANGEPAST ADAPTE ANGEPASST ADJUSTED |
|---|---|---|---|---|--|---|--|

VG500

PROFIELEN - PROFILS - PROFILE - PROFILES


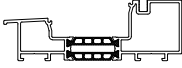
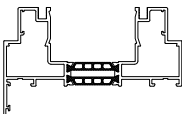
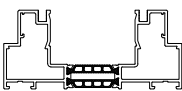

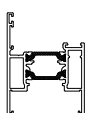
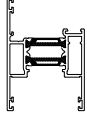
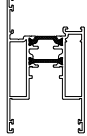
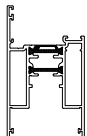
| NUMMER NUMERO NUMMER NUMBER | AFBEELDING IMAGE BILD PICTURE | OMSCHRIJVING DESCRIPTION BESCHREIBUNG DESCRIPTION | BLAD PAGE SEITE PAGE | OMTREK PERIM. PERIM. PERIM. (MM) | MECH. MEC. MECH. MEC. (MM) | IX (CM4) ----- WX (CM3) | IY (CM4) ----- WY (CM3) | LENGTE LONG. LANGE LENGTH (M) |
|--------------------------------------|---|---|-------------------------------|--|--|-------------------------------|-------------------------------|---|
| VG12 |  | AFWERKINGSPROFIEL PROFILE DE FINITION AUSFUEHRUNGSPROFIL FINISHING PROFILE | 82 | 109.9 | 26.4 | / | / | 6.5 |
| VG52 |  | AFWERKINGSPROFIEL PROFILE DE FINITION AUSFUEHRUNGSPROFIL FINISHING PROFILE PVC | 80 | 24.6 | / | / | / | 7.0 |
| VG53 |  | GELEIDINGSRAIL RAIL DE GUIDAGE FUEHRUNGSSCHIENE GUIDE RAIL INOX | 80 | / | / | / | / | 6.5 |
| VG53A |  | GELEIDINGSRAIL RAIL DE GUIDAGE FUEHRUNGSSCHIENE GUIDE RAIL ALU | 80 | 31.3 | 31.3 | / | / | 6.5 |
| VG156 |  | KOPPELPROFIEL 90° PROFILE DE RACCORDEMENT 90° KUPPLUNGSPROFIL 90° CONNECTION PROFILE 90° (VG - FT/EF) | 75 | 440.3 | 164.2 | 87.1 ----- 16.0 | 40.5 ----- 11.9 | 6.5 |
| VG176 |  | STRUCTUURPROFIEL PROFILE STRUCTUREL STRUKTURPROFIL STRUCTURAL PROFILE H = 70 MM | 79 | 425.0 | 138.0 | 124.2 ----- 24.3 | 67.0 ----- 19.2 | 7.0 |
| VG317N |  | LANGPOOTBLOKKOZIJN 117,7MM DORMANT A FRAPPE "BLOC" 11MM BLOCK ANSCHLAGRAHMENPROFIL 117,7MM BLOCK OUTER FRAME 116MM 2-RAIL | 30 | 585.89 | 189.43 | 148.1 ----- 22,8 | 33.6 ----- 8,2 | 7 |
| VG404 |  | GLASLAT PARCLOSE GLASLEISTE GLAZING BEAD B = 4 MM | 86 | 70.1 | 23.1 | / | / | 6.5 |
| VG408 |  | GLASLAT PARCLOSE GLASLEISTE GLAZING BEAD B = 8 MM | 86 | 69.1 | 28.0 | / | / | 6.5 |

VG500

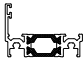

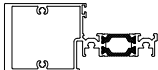
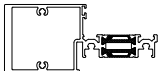
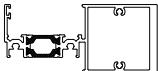
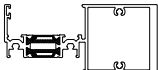
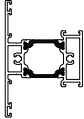
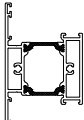

| NUMMER NUMERO NUMBER NUMBER | AFBEELDING IMAGE BILD PICTURE | OMSCHRIJVING DESCRIPTION BESCHREIBUNG DESCRIPTION | BLAD PAGE SEITE PAGE | OMTREK PERIM. PERIM. PERIM. (MM) | MECH. MEC. MEC. MEC. (MM) | IX (CM4) ----- WX (CM3) | IY (CM4) ----- WY (CM3) | LENGTE LONG. LANGE LENGTH (M) |
|--------------------------------------|---|--|-------------------------------|--|---------------------------------------|-------------------------------|-------------------------------|---|
| VG412N |  | GLASLAT PARCLOSE GLASLEISTE GLAZING BEAD B = 12 MM | 86 | 71,56 | 31.9 | / | / | 6.5 |
| VG416 |  | GLASLAT PARCLOSE GLASLEISTE GLAZING BEAD B = 16 MM | 86 | 77.5 | 36.0 | / | / | 6.5 |
| VG422 |  | GLASLAT PARCLOSE GLASLEISTE GLAZING BEAD B = 22 MM | 86 | 90,72 | 42 | / | / | 6.5 |
| VG426 |  | GLASLAT PARCLOSE GLASLEISTE GLAZING BEAD B = 26 MM | | 98,14 | 46,2 | / | / | 6.5 |
| VG430 |  | GLASLAT PARCLOSE GLASLEISTE GLAZING BEAD B = 30 MM | 86 | 105.6 | 50.0 | / | / | 6.5 |
| VG510 |  | BUITENKADER DORMANT BLENDRAHMEN OUTER FRAME 2-RAIL | 27 | 501.8 | 137.2 | 94.3 ----- 19.1 | 20.8 ----- 7.3 | 7.0 5.0 |
| VG511N |  | BUITENKADER MET CONDENSATIEGOOT DORMANT AVEC RECUPERATEUR D'EAU BLENDRAHMEN MIT RINNE KONDENSATION OUTER FRAME WITH CONDENSATION GUTTER 2-RAIL | 27 | 575,23 | 211,42 | 149,92 ----- 24,36 | 24,1 ----- 8.5 | 7.0 5.0 |
| VG512 |  | BUITENKADER DORMANT BLENDRAHMEN OUTER FRAME 3-RAIL | 31 | 739.8 | 140.0 | 349.0 ----- 41.4 | 30 ----- 10.0 | 7.0 |
| VG513N |  | BUITENKADER MET CONDENSATIEGOOT DORMANT AVEC RECUPERATEUR D'EAU BLENDRAHMEN MIT RINNE KONDENSATION OUTER FRAME WITH CONDENSATION GUTTER 3-RAIL | 31 | 817,14 | 217,16 | 489,45 ----- 52,29 | 33,32 ----- 11,16 | 7.0 |



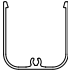
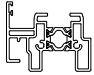
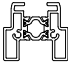
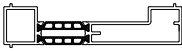

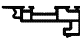

VG500

PROFIELEN - PROFILS-PROFILE - PROFILES


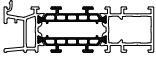
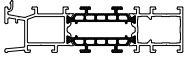

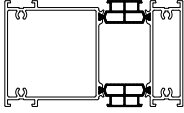

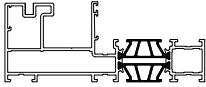
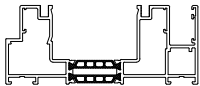
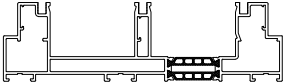
| NUMMER NUMERO NUMBER NUMBER | AFBEELDING IMAGE BILD PICTURE | OMSCHRIJVING DESCRIPTION BESCHREIBUNG DESCRIPTION | BLAD PAGE SEITE PAGE | OMTREK PERIM. PERIM. PERIM. (MM) | MECH. MEC. MEC. MEC. (MM) | IX (CM4) | | IY (CM4) | | LENGTE LONG. LANGE LENGTH (M) |
|--------------------------------------|---|--|-------------------------------|--|---------------------------------------|----------|----------|-------------------|------------------|---|
| | | | | | | WX (CM3) | WY (CM3) | WX (CM3) | WY (CM3) | |
| VG514 |  | AFDEKPROFIEL BUITENKADER PROFIE DE RECOUVREMENT DORMANT ABDECKPROFIL BLENDRAHMEN COVERING PROFILE OUTER FRAME | 53 | 210.1 | 62.1 | / | / | | | 6.5 3.25 |
| VG516 |  | ONDERDORPEL SEUIL BASISPROFIL SILL | 33 | 440.1 | 95.8 | | | 81.9 12.6 | 9.1 4.0 | 7.0 3.5 |
| VG517 |  | BUITENKADER DORMANT BLENDRAHMEN OUTER FRAME 2-RAIL | 29 | 566.9 | 177.4 | | | 138.9 22.3 | 27.8 6.5 | 7.0 5 |
| VG518 |  | BUITENKADER DORMANT BLENDRAHMEN OUTER FRAME 2-RAIL | 28 | 504.8 | 155.4 | | | 123.5 21.0 | 22.1 7.7 | 7.0 5.0 |
| VG519 |  | VASTE VOORZETKADER VOOR VG510 PRECADRE FIX POUR VG510 ANBAU RAHMEN FUR VG510 FRAME EXTENSION VG510 | 38 | 441.36 | 60.8 | | | 21.7187 5.0509 | 9.2614 3.1124 | 6.5 |
| VG520N |  | VLEUGEL OUVRANT FLUEGEL VENT | 39 | 396.8 | 142.5 | | | 20.4 7.5 | 13.6 3.5 | 6.5 5.0 |
| VG520NBI |  | VLEUGEL OUVRANT FLUEGEL VENT (BI-METAL) | 39 | 396.8 | 142.5 | | | 20.4 7.5 | 13.6 3.5 | 6.5 |
| VG521N |  | VLEUGEL (HEFSCHUIFDEUR) OUVRANT (SOULEV. COULISSANT) FLUEGEL (HEBESCHIEBETUER) VENT (LIFT AND SLIDING DOOR) | 39 | 475.7 | 172.5 | | | 24.0 8.9 | 28.3 6.1 | 6.5 5.0 |
| VG521NBI |  | VLEUGEL (HEFSCHUIFDEUR) OUVRANT (SOULEV. COULISSANT) FLUEGEL (HEBESCHIEBETUER) VENT (LIFT AND SLIDING DOOR) (BI-METAL) | 39 | 475.7 | 172.5 | | | 24.0 8.9 | 28.3 6.1 | 6.5 |

VG500

| NUMMER NUMERO NUMBER NUMBER | AFBEELDING IMAGE BILD PICTURE | OMSCHRIJVING DESCRIPTION BESCHREIBUNG DESCRIPTION | BLAD PAGE SEITE PAGE | OMTREK PERIM. PERIM. PERIM. (MM) | MECH. MEC. MECH. MECH. (MM) | IX (CM4) ----- WX (CM3) | IY (CM4) ----- WY (CM3) | LENGTE LONG. LANGE LENGTH (M) |
|--------------------------------------|---|---|-------------------------------|--|---|-------------------------------|-------------------------------|---|
| VG522 |  | MIDDENSTIJL LIAISON CENTRALE STULPPROFIL TUERFLUEGEL MEETING SECTION | 47 | 281.44 | 34.53 | 8.9493 ----- 3.0759 | 1.614 ----- 0.6666 | 6.5 |
| VG522Bi |  | MIDDENSTIJL LIAISON CENTRALE STULPPROFIL TUERFLUEGEL MEETING SECTION (BI-METAL) | 49 | 281.44 | 34.53 | 8.9493 ----- 3.0759 | 1.614 ----- 0.6666 | 6.5 |
| VG523 |  | MIDDENSTIJL LIAISON CENTRALE STULPPROFIL TUERFLUEGEL MEETING SECTION | 47 | 424.58 | 154.01 | 75.5209 ----- 11.9218 | 14.8595 ----- 6.2918 | 6.5 |
| VG523Bi |  | MIDDENSTIJL LIAISON CENTRALE STULPPROFIL TUERFLUEGEL MEETING SECTION (BI-METAL) | 49 | 424.58 | 154.01 | 75.5209 ----- 11.9218 | 14.8595 ----- 6.2918 | 6.5 |
| VG524 |  | MIDDENSTIJL LIAISON CENTRALE STULPPROFIL TUERFLUEGEL MEETING SECTION | 47 | 472.15 | 173.5 | 90.5604 ----- 15.0138 | 15.4129 ----- 6.6741 | 6.5 |
| VG524Bi |  | MIDDENSTIJL LIAISON CENTRALE STULPPROFIL TUERFLUEGEL MEETING SECTION (BI-METAL) | 49 | 472.15 | 173.5 | 90.5604 ----- 15.0138 | 15.4129 ----- 6.6741 | 6.5 |
| VG525N |  | T-PROFIEL TRAVERSE SPROSSE TRANSOM-MULLION H = 77 MM | 43 | 382.1 | 122.8 | 19.3 ----- 6.7 | 11.9 ----- 3.1 | 7.0 5.0 |
| VG526N |  | T-PROFIEL TRAVERSE SPROSSE TRANSOM-MULLION H = 87 MM | 43 | 402.1 | 142.8 | 22.2 ----- 7.8 | 19.2 ----- 4.4 | 7.0 5.0 |
| VG530 |  | WISSELPROFIEL CHICANE WECHSELPROFIL MEETING SECTION | 46 | 194.7 | 72.2 | 6.0 ----- 1.8 | 0.4 ----- 0.3 | 6.5 5.0 3.25 |



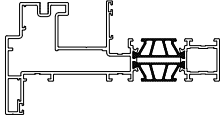
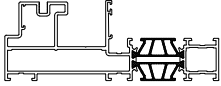
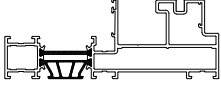
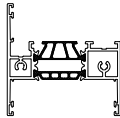
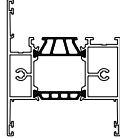

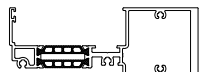
| NUMMER NUMERO NUMBER NUMBER | AFBEELDING IMAGE BILD PICTURE | OMSCHRIJVING DESCRIPTION BESCHREIBUNG DESCRIPTION | BLAD PAGE SEITE PAGE | OMTREK PERIM. PERIM. PERIM. (MM) | MECH. MEC. MECH. MEC. (MM) | IX (CM4) ----- WX (CM3) | IY (CM4) ----- WY (CM3) | LENGTE LONG. LANGE LENGTH (M) |
|--------------------------------------|---|---|-------------------------------|--|--|-------------------------------|-------------------------------|---|
| VG531 |  | WISSELPROFIEL CHICANE WECHSELPROFIL MEETING SECTION | 50 | 191.86 | 84.04 | 6.4148 ----- 1.6968 | 0.137 ----- 0.1905 | 6.5 |
| VG532 |  | VERSTEVIJGINGSPROFIEL PROFILE DE RENFORCEMENT VERSTAERKUNGSPROFIL REINFORCEMENT PROFILE | 51 | / | / | 6.4 ----- 3.3 | 3.6 ----- 1.5 | 6.5 |
| VG533 |  | KLIPSPROFIEL VOOR VG532 CLIP POUR VG532 ABDECKPROFIL FUER VG532 CLIP PROFILE FOR VG532 | 51 | 267.0 | 124.1 | / | / | 6.5 |
| VG542 |  | MIDDENSTIJL 4-SLAG LIAISON CENTRALE 4 VANTAUX STULPPROFIL TUERFLUEGEL 4-SCHLAG MEETING STYLE 4 DOORS | 45 | 381.4 | 150.0 | 17.3 ----- 6.0 | 6.6 ----- 2.7 | 6.5 |
| VG543 |  | MIDDENSTIJL 4-SLAG LIAISON CENTRALE 4 VANTAUX STULPPROFIL TUERFLUEGEL 4-SCHLAG MEETING STYLE 4 DOORS | 45 | 257,65 | 59,45 | 7,5793 ----- 3,5584 | 4,7007 ----- 2,4213 | 6.5 |
| VG550 |  | KOPPELPROFIEL 117.7 MM PROFILE DE RACCORDEMENT 117.7 MM KOPPLUNGSPROFIL 117.7 MM CONNECTION PROFILE 117.7 MM | 73 | 341.83 | 113.18 | 84 ----- 13.89 | 3.98 ----- 2.44 | 6.5 |
| VG551R |  | WISSELPROFIEL KUNSTSTOF CHICANE MATIERE SYNTHETIQUE WECHSELPROFIL KUNSTSTOFF SYNTHETIC MEETING SECTION POLYAMIDE | | 172.7 | / | / | / | 6.5 |
| VG553N |  | WISSELPROFIEL (HEFSCHUIFDEUR) CHICANE MATIERE (SOULEV. COULISSANT) WECHSELPROFIL (HEBESCHIEBETUER) MEETING SECTION (LIFT AND SLIDING DOOR) | 56 | 181 | / | / | / | 6.5 |
| VG554 |  | STEUNPROFIEL VASTE VLEUGEL KUNSTSTOF PROFILE SYNTHETIQUE DE SUPPORT OUVRANT FIXE KUNSTSTOFF STUETZPROFIL FESTEN FLUEGEL SYNTHETIC SUPPORTING PROFILE FIXED FRAME | 57 | 455.4 | / | / | / | 7.0 3.5 |

VG500


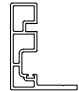


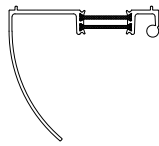
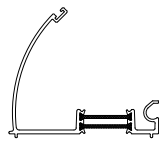
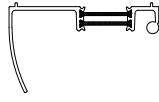
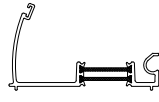
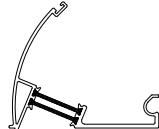
| NUMMER NUMERO NUMBER NUMBER | AFBEELDING IMAGE BILD PICTURE | OMSCHRIJVING DESCRIPTION BESCHREIBUNG DESCRIPTION | BLAD PAGE SEITE PAGE | OMTREK PERIM. PERIM. PERIM. (MM) | MECH. MEC. MEC. MEC. (MM) | IX (CM4) ----- WX (CM3) | IY (CM4) ----- WY (CM3) | LENGTE LONG. LANGE LENGTH (M) |
|--------------------------------------|---|--|-------------------------------|--|---------------------------------------|-------------------------------|-------------------------------|---|
| VG555 |  | DORPEL SEUIL PUTZWASSERPROFILE SILLMEMEBER | 38 | 93.84 | / | 0.8831 ----- 0.7672 | 0.7339 ----- 0.5689 | 6.5 |
| VG567 |  | ONDERDORPEL SEUIL BASISPROFIL SILL B = 99 MM H = 30 MM | 59 | 475.8 | 95.2 | 60.6 ----- 12.2 | 4.8 ----- 2.5 | 6.5 |
| VG568 |  | ONDERDORPEL SEUIL BASISPROFIL SILL B = 117.7 MM H = 30 MM | 59 | 531.6 | 95.2 | 96.1 ----- 16.1 | 5.6 ----- 3.0 | 6.5 |
| VG575 |  | AFDEKPROFIEL UG050 PROFILE DE RECOUVREMENT UG050 ABDECKPROFIL UG050 COVERING PROFILE UG050 | 58 | 139,56 | / | / | / | 7 |
| VG576 |  | STRUCTUURPROFIEL PROFILE STRUCTUREL STRUKTURPROFIL STRUCTURAL PROFILE B = 117.7 MM H = 70 MM | 79 | 532.8 | 141.2 | 169.9 ----- 27.5 | 55.9 ----- 16.0 | 7.0 |
| VG586 |  | KLIPSPROFIEL VOOR VG551R CLIP PROFIL POUR VG551R ABDECKPROFIL FUER VG551R SYNTHETIC CLIP PROFILE FOR VG551R | 56 | 32.62 | / | / | / | 6.5 |
| VG610 |  | BUITENKADER DORMANT BLENDRAHMEN OUTER FRAME MONORAIL | 34 | 671,8 | 214,84 | 149,6802 ----- 19,2765 | 20,2801 ----- 6,4759 | 6.5 |
| VG611N |  | BUITENKADER DORMANT BLENDRAHMEN OUTER FRAME 2-RAIL | 28 | 621,68 | 239,02 | 160,6593 ----- 24,2717 | 24,3067 ----- 8,547 | 7 |
| VG612 |  | BUITENKADER DORMANT BLENDRAHMEN OUTER FRAME 3-RAIL | 32 | 781.3 | 169.3 | 414.8 ----- 44.2 | 31.5 ----- 10.4 | 7.0 |

VG500


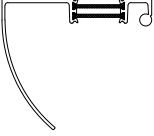
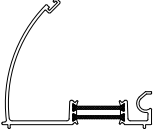
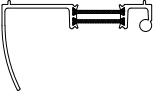
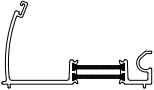
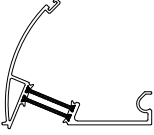
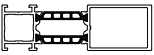
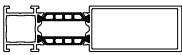
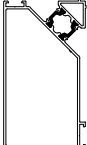
PROFIELEN - PROFILS - PROFILE - PROFILES

| NUMMER NUMERO NUMBER NUMBER | AFBEELDING IMAGE BILD PICTURE | OMSCHRIJVING DESCRIPTION BESCHREIBUNG DESCRIPTION | BLAD PAGE SEITE PAGE | OMTREK PERIM. PERIM. PERIM. (MM) | MECH. MEC. MEC. MEC. (MM) | IX (CM4) | | IY (CM4) | | LENGTE LONG. LANGE LENGTH (M) |
|--------------------------------------|---|---|-------------------------------|--|---------------------------------------|----------|----------|----------|----------|---|
| | | | | | | WX (CM3) | WY (CM3) | WX (CM3) | WY (CM3) | |
| VG615 |  | AFDEKPROFIEL BUITENKADER PROFILE DE RECOUVREMENT DORMANT ABDECKPROFIL BLENDRAHMEN COVERING PROFILE OUTER FRAME MONORAIL | 54 | 299.9 | 123.0 | / | / | | | 6.5 |
| VG616 |  | AFDEKPROFIEL BUITENKADER PROFILE DE RECOUVREMENT DORMANT ABDECKPROFIL BLENDRAHMEN COVERING PROFILE OUTER FRAME MONORAIL | 54 | 329.2 | 118.6 | / | / | | | 6.5 |
| VG617 |  | BUITENKADER DORMANT BLENDRAHMEN OUTER FRAME MONORAIL | 35 | 743,83 | 252,59 | | | 190,2638 | 31,6982 | 6.5 |
| | | | | | | | | 22,4902 | 7,9605 | |
| VG618 |  | BUITENKADER DORMANT BLENDRAHMEN OUTER FRAME MONORAIL | 34 | 690.1 | 218.5 | | | 173,2223 | 20,7747 | 6.5 |
| | | | | | | | | 21,1386 | 6,5945 | |
| VG619 |  | BUITENKADER DORMANT BLENDRAHMEN OUTER FRAME MONORAIL | 36 | 670.08 | 218.5 | | | 173,2223 | 20.8 | 6.5 |
| | | | | | | | | 20,7747 | 6.6 | |
| VG620 |  | STIJL VOOR MONORAIL TRAVERS POUR MONORAIL SPROSSENPROFIL FÜR MONORAIL TRANSOM FOR MONORAIL | 42 | 503.0 | 135.4 | | | 50.8 | 12.6 | 7.0 |
| | | | | | | | | 12.6 | 3.1 | 3.5 |
| VG621 |  | STIJL VOOR MONORAIL TRAVERS POUR MONORAIL SPROSSENPROFIL FÜR MONORAIL TRANSOM FOR MONORAIL | 42 | 534.1 | 167.5 | | | 60.7 | 26.5 | 7.0 |
| | | | | | | | | 15.1 | 5.5 | 3.5 |
| VG622 |  | T-PROFIEL MONORAIL TRAVERS POUR MONORAIL RIEGEL FÜR MONORAIL TRANSOM FOR MONORAIL | 48 | 329.89 | 42.73 | | | 26.2 | 2.6 | 6.5 |
| | | | | | | | | 6.4 | 0.9 | |
| VG624 |  | T-PROFIEL MONORAIL TRAVERS POUR MONORAIL RIEGEL FÜR MONORAIL TRANSOM FOR MONORAIL | 48 | 497.44 | 179.9 | | | 149,2 | 17.2 | 6.5 |
| | | | | | | | | 19,57 | 6,9 | |

VG500

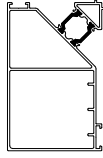
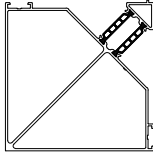
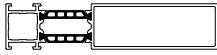
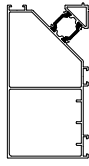
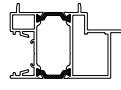
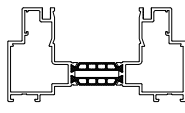
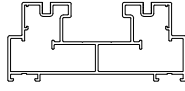
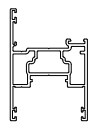
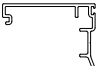
| NUMMER NUMERO NUMBER NUMBER | AFBEELDING IMAGE BILD PICTURE | OMSCHRIJVING DESCRIPTION BESCHREIBUNG DESCRIPTION | BLAD PAGE SEITE PAGE | OMTREK PERIM. PERIM. PERIM. (MM) | MECH. MEC. MECH. MEC. (MM) | IX (CM4) ----- WX (CM3) | IY (CM4) ----- WY (CM3) | LENGTE LONG. LANGE LENGTH (M) |
|--------------------------------------|---|--|-------------------------------|--|--|-------------------------------|-------------------------------|---|
| VG630 |  | WISSELPROFIEL CHICANE WECHSELPROFIL MEETING SECTION MONORAIL | 46 | 242.3 | 96.0 | / | / | 6.5 |
| VG632 |  | WISSELPROFIEL CHICANE WECHSELPROFIL MEETING SECTION | 50 | 248.8 | 165.9 | 15.7 ----- 4.6 | 5.1 ----- 1.6 | 6.5 |
| VG633 |  | WISSELPROFIEL CHICANE WECHSELPROFIL MEETING SECTION | 48 | 208.64 | 94.06 | / | / | 6.5 |
| VG650 |  | KOPPELPROFIEL 141.55 MM PROFILE DE RACCORDEMENT 141.55 MM KOPPLUNGSPROFIL 141.55 MM CONNECTION PROFILE 141.55 MM | 74 | 389.53 | 137.03 | 135.5 ----- 18.6 | 4.42 ----- 2.65 | 6.5 |
| VG651 |  | HOEKPROFIEL VARIABEL PROFILE D'ANGLE VARIABLE VARIABLES ECKPROFIL VARIABLE CORNER PROFILE B = 99 MM 90°<137° | 66 | 481.5 | 120.3 | 66.3 ----- 11.8 | 33.1 ----- 5.0 | 6.5 |
| VG652 |  | HOEKPROFIEL VARIABEL PROFILE D'ANGLE VARIABLE VARIABLES ECKPROFIL VARIABLE CORNER PROFILE B = 99 MM 90°<137° | 66 | 514.9 | 115.1 | 58.5 ----- 10.2 | 33.9 ----- 5.5 | 6.5 |
| VG653 |  | HOEKPROFIEL VARIABEL PROFILE D'ANGLE VARIABLE VARIABLES ECKPROFIL VARIABLE CORNER PROFILE B = 99 MM 133°<160° | 67 | 406.0 | 82.2 | 62.3 ----- 11.7 | 8.9 ----- 2.0 | 6.5 |
| VG654 |  | HOEKPROFIEL VARIABEL PROFILE D'ANGLE VARIABLE VARIABLES ECKPROFIL VARIABLE CORNER PROFILE B = 99 MM 133°<160° | 67 | 441.2 | 77.8 | 55.9 ----- 10.3 | 9.6 ----- 2.3 | 6.5 |
| VG655 |  | HOEKPROFIEL VARIABEL PROFILE D'ANGLE VARIABLE VARIABLES ECKPROFIL VARIABLE CORNER PROFILE B = 99 MM 90°<137° | 68 | 483.8 | 162.4 | 57.9 ----- 9.8 | 33.2 ----- 5.5 | 6.5 |

VG500

| NUMMER NUMERO NUMBER NUMBER | AFBEELDING IMAGE BILD PICTURE | OMSCHRIJVING DESCRIPTION BESCHREIBUNG DESCRIPTION | BLAD PAGE SEITE PAGE | OMTREK PERIM. PERIM. PERIM. (MM) | MECH. MEC. MEC. MEC. (MM) | IX (CM4) ----- WX (CM3) | IY (CM4) ----- WY (CM3) | LENGTE LONG. LANGE LENGTH (M) |
|--------------------------------------|---|---|-------------------------------|--|---------------------------------------|-------------------------------|-------------------------------|---|
| VG660 |  | RUBBERPROFIEL PROFILE DE JOINT DICHTUNGSPROFIL GASKET PROFILE | 33 | 44.7 | 44.7 | / | / | 6.5 |
| VG661 |  | HOEKPROFIEL VARIABEL PROFILE D'ANGLE VARIABLE VARIABLES ECKPROFIL VARIABLE CORNER PROFILE B = 117.7 MM 90°<137° | 69 | 547.2 | 134.8 | 102.3 ----- 14.9 | 51.9 ----- 6.7 | 6.5 |
| VG662 |  | HOEKPROFIEL VARIABEL PROFILE D'ANGLE VARIABLE VARIABLES ECKPROFIL VARIABLE CORNER PROFILE B = 117.7 MM 90°<137° | 69 | 582.0 | 118.9 | 91.1 ----- 13.2 | 53.7 ----- 7.4 | 6.5 |
| VG663 |  | HOEKPROFIEL VARIABEL PROFILE D'ANGLE VARIABLE VARIABLES ECKPROFIL VARIABLE CORNER PROFILE B = 117.7 MM 133°<160° | 70 | 456.7 | 89.2 | 95.5 ----- 14.8 | 12.8 ----- 2.5 | 6.5 |
| VG664 |  | HOEKPROFIEL VARIABEL PROFILE D'ANGLE VARIABLE VARIABLES ECKPROFIL VARIABLE CORNER PROFILE B = 117.7 MM 133°<160° | 70 | 493.2 | 74.2 | 86.8 ----- 13.2 | 14.1 ----- 2.9 | 6.5 |
| VG665 |  | HOEKPROFIEL VARIABEL PROFILE D'ANGLE VARIABLE VARIABLES ECKPROFIL VARIABLE CORNER PROFILE B = 117.7 MM 90°<137° | 71 | 555.9 | 191.5 | 90.9 ----- 12.8 | 52.0 ----- 7.3 | 6.5 |
| VG670 |  | KOPPELPROFIEL 180° PROFILE DE RACCORDEMENT 180° KUPPLUNGSPROFIL 180° CONNECTION PROFILE 180° B = 99 MM (VG - VG/RS/FT/EF/...) | 72 | 316.7 | 144.2 | 60.6 ----- 12.1 | 5.7 ----- 3.8 | 6.5 |
| VG671 |  | KOPPELPROFIEL 180° PROFILE DE RACCORDEMENT 180° KUPPLUNGSPROFIL 180° CONNECTION PROFILE 180° B = 117.7 MM (VG - VG/RS/FT/EF/...) | 72 | 354.1 | 181.6 | 93.0 ----- 15.8 | 6.9 ----- 4.6 | 6.5 |
| VG672 |  | KOPPELPROFIEL 90° PROFILE DE RACCORDEMENT 90° KUPPLUNGSPROFIL 90° CONNECTION PROFILE 90° B = 117.7 MM (VG - FT/EF) | 75 | 449.1 | 182.9 | 48.5 ----- 14.6 | 141.3 ----- 22.1 | 6.5 |


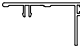
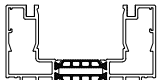

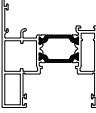
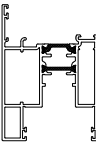
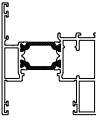
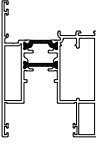

PROFIELEN - PROFILS-PROFILE - PROFILES

VG500










| NUMMER NUMERO NUMBER NUMBER | AFBEELDING IMAGE BILD PICTURE | OMSCHRIJVING DESCRIPTION BESCHREIBUNG DESCRIPTION | BLAD PAGE SEITE PAGE | OMTREK PERIM. PERIM. PERIM. (MM) | MECH. MEC. MEC. MEC. (MM) | IX (CM4) ----- WX (CM3) | IY (CM4) ----- WY (CM3) | LENGTE LONG. LANGE LENGTH (M) |
|--------------------------------------|---|--|-------------------------------|--|---------------------------------------|-------------------------------|-------------------------------|---|
| VG673 |  | KOPPELPROFIEL 90° PROFILE DE RACCORDEMENT 90° KUPPLUNGSPROFIL 90° CONNECTION PROFILE 90° B = 117.7 MM (VG - RS) | 76 | 494.8 | 192.9 | 73.6 ----- 19.0 | 152.0 ----- 24.4 | 6.5 |
| VG674 |  | KOPPELPROFIEL 90° PROFILE DE RACCORDEMENT 90° KUPPLUNGSPROFIL 90° CONNECTION PROFILE 90° B = 117.7 MM (VG - VG) | 77 | 573.9 | 235.9 | 208.2 ----- 32.8 | 208.2 ----- 32.8 | 6.5 |
| VG681 |  | KOPPELPROFIEL 180° PROFILE DE RACCORDEMENT 180° KUPPLUNGSPROFIL 180° CONNECTION PROFILE 180° B = 141.55 MM (VG - VG/RS/FT/EF/...) | 72 | 398.0 | 229.3 | 154.7 ----- 21.5 | 8.9 ----- 6.0 | 6.5 |
| VG682 |  | KOPPELPROFIEL 90° PROFILE DE RACCORDEMENT 90° KUPPLUNGSPROFIL 90° CONNECTION PROFILE 90° B = 141.55 MM (VG - RS) | 76 | 564.7 | 216.8 | 86.0 ----- 22.1 | 242.5 ----- 33.0 | 6.5 |
| VG711 |  | VASTE VOORZETKADER PRÉCADRE FIX ANBAU RAHMEN FRAME EXTENSION | 37 | 332,9 | 119 | 25,8 ----- 6,11 | 13,1 ----- 4,9 | 7 |
| VG718 |  | BUITENKADER 117,7 MM DORMANT 117,7 MM BLENDRAHMEN 117,7 MM OUTER FRAME 117,7 MM | 29 | 527,42 | 175,38 | 136,8475 ----- 23,2536 | 31,5269 ----- 9,7219 | 7 |
| VG810N |  | BUITENKADER - 2 RAIL DORMANT - 2 RAIL BLENDRAHMEN - 2 RAIL OUTER FRAME - 2 RAIL | 85 | 490,87 | 282,7 | 120,5763 ----- 20,488 | 25,453 ----- 9,7474 | 6.5 |
| VG820N |  | VLEUGEL OUVRANT FLUEGEL VENT | 85 | 332,9 | 119 | 25,8 ----- 6,11 | 13,1 ----- 4,9 | 7 |
| VG830N |  | WISSELPROFIEL CHICANE WECHSELPROFIL MEETING SECTION | 85 | 291.2 | 127.2 | / | / | 6.5 |

VG500

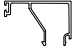
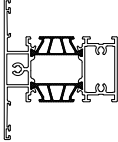





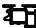

PROFIELEN - PROFILS - PROFILE - PROFILES

| NUMMER NUMERO NUMBER NUMBER | AFBEELDING IMAGE BILD PICTURE | OMSCHRIJVING DESCRIPTION BESCHREIBUNG DESCRIPTION | BLAD PAGE SEITE PAGE | OMTREK PERIM. PERIM. PERIM. (MM) | MECH. MEC. MEC. MEC. (MM) | IX (CM4) | | IY (CM4) | | LENGTE LONG. LANGE LENGTH (M) |
|--------------------------------------|---|---|-------------------------------|--|---------------------------------------|----------|----------|----------|----------|---|
| | | | | | | WX (CM3) | WY (CM3) | WX (CM3) | WY (CM3) | |
| VG1510 |  | AANSLUITINGSPROFIEL VLOER PROFILE DE RACCORDEMENT AU SOL WANDANSCHLUSSPROFIL UNTEN CONNECTION PROFILE FLOOR | 81 | | | | | | | 6.5 |
| VG1514 |  | AFDEKPROFIEL BUITENKADER PROFILE DE RECOUVREMENT DORMANT ABDECKPROFIL BLENDRAHMEN COVERING PROFILE OUTER FRAME | 53 | 291.2 | 127.2 | / | / | | | 6.5 |
| VG2510 |  | BUITENKADER DORMANT BLENDRAHMEN OUTER FRAME | 30 | 523,97 | 129,2 | 96,22 | 21,92 | 19,44 | 7,52 | 7 |
| VG2616 |  | AFDEKPROFIEL BUITENKADER PROFILE DE RECOUVREMENT DORMANT ABDECKPROFIL BLENDRAHMEN COVERING PROFILE OUTER FRAME | 55 | 298.77 | 110.7 | | / | | | 6.5 |
| VG5120 |  | VLEUGEL OUVRANT FLUEGEL VENT | 40 | 455,61 | 152,5 | 34,33 | 18,44 | 9,79 | 4,41 | 6.5 |
| VG5121 |  | VLEUGEL (HEFSCHUIFDEUR) OUVRANT (SOULEV. COULISSANT) FLUEGEL (HEBESCHIEBETUER) VENT (LIFT AND SLIDING DOOR) | 41 | 522.58 | 184.5 | 40.79 | 37.33 | 12.11 | 7.62 | 6.5 |
| VG5220 |  | VLEUGEL OUVRANT FLUEGEL VENT | 40 | 446.94 | 152.5 | 34.73 | 18.82 | 11.02 | 4.53 | 6.5 |
| VG5221 |  | VLEUGEL (HEFSCHUIFDEUR) OUVRANT (SOULEV. COULISSANT) FLUEGEL (HEBESCHIEBETUER) VENT (LIFT AND SLIDING DOOR) | 41 | 513.91 | 184.5 | 40.42 | 36.89 | 12.39 | 7.63 | 6.5 |
| GL704 |  | GLASLAT PARCLOSE GLASLEISTE GLAZING BEAD B = 4 MM | 88 | 107.4 | 29.4 | / | / | | | 6.5 |

VG500




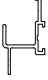
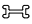


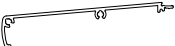

| NUMMER NUMERO NUMBER NUMBER | AFBEELDING IMAGE BILD PICTURE | OMSCHRIJVING DESCRIPTION BESCHREIBUNG DESCRIPTION | BLAD PAGE SEITE PAGE | OMTREK PERIM. PERIM. PERIM. (MM) | MECH. MEC. MEC. MEC. (MM) | IX (CM4) ----- WX (CM3) | IY (CM4) ----- WY (CM3) | LENGTE LONG. LANGE LENGTH (M) |
|--------------------------------------|---|--|-------------------------------|--|---------------------------------------|-------------------------------|-------------------------------|---|
| GL708 |  | GLASLAT PARCLOSE GLASLEISTE GLAZING BEAD B = 8 MM | 88 | 128.2 | 33.4 | / | / | 6.5 |
| GL712 |  | GLASLAT PARCLOSE GLASLEISTE GLAZING BEAD B = 12 MM | 88 | 137.2 | 37.4 | / | / | 6.5 |
| GL716 |  | GLASLAT PARCLOSE GLASLEISTE GLAZING BEAD B = 16 MM | 88 | 172.0 | 41.4 | / | / | 6.5 |
| GL720 |  | GLASLAT PARCLOSE GLASLEISTE GLAZING BEAD B = 20 MM | 88 | 176.6 | 45.4 | / | / | 6.5 |
| GL724 |  | GLASLAT PARCLOSE GLASLEISTE GLAZING BEAD B = 24 MM | 88 | 186.6 | 49.4 | / | / | 6.5 |
| GL728 |  | GLASLAT PARCLOSE GLASLEISTE GLAZING BEAD B = 28 MM | 88 | 198.5 | 53.4 | / | / | 6.5 |
| GL732 |  | GLASLAT PARCLOSE GLASLEISTE GLAZING BEAD B = 32 MM | 88 | 216.6 | 57.4 | / | / | 6.5 |
| GL736 |  | GLASLAT PARCLOSE GLASLEISTE GLAZING BEAD B = 36 MM | 88 | 224.6 | 61.4 | / | / | 6.5 |
| GL740 |  | GLASLAT PARCLOSE GLASLEISTE GLAZING BEAD B = 40 MM | 88 | 237.0 | 65.4 | / | / | 6.5 |


VG500

| NUMMER NUMERO NUMBER NUMBER | AFBEELDING IMAGE BILD PICTURE | OMSCHRIJVING DESCRIPTION BESCHREIBUNG DESCRIPTION | BLAD PAGE SEITE PAGE | OMTREK PERIM. PERIM. PERIM. (MM) | MECH. MEC. MECH. MEC. (MM) | IX (CM4) ----- WX (CM3) | IY (CM4) ----- WY (CM3) | LENGTE LONG. LANGE LENGTH (M) |
|--------------------------------------|---|--|-------------------------------|--|--|-------------------------------|--------------------------------|---|
| GL744 |  | GLASLAT PARCLOSE GLASLEISTE GLAZING BEAD B = 44 MM | 88 | 245.0 | 69.4 | / | / | 6.5 |
| RS2531 |  | TUSSENREGEL 87 MM TRAVERS 87 MM SPROSSENSPROFIL 87 MM TRANSOM 87 MM | 44 | 553.42 | 144.71 | 53.93 ----- 12.36 | 22.71 ----- 4.88 / | 6.5 |
| SL076 |  | WATERSLAG REJET D'EAU REGENABWEISEN CORNICIE MOULDING | | 157,7 | 57,2 | / | / | 6.5 |
| SR014 |  | CLIPS POUR VG711 CLIPS POUR VG711 KLIPPEPROFIL POUR VG711 FINISHINGPROFILE FOR VG711 | 37 | 110.8 | 28.57 | 0,1341 ----- 0,1258 | 0,5637 ----- 0,4026 / | 7 3.5 |
| UG050 |  | ISOLATIEPROFIEL PVC PROFIL D'ISOLATION SCHRANKE AUS PVC PVC THERMAL BREAK PROFILE | 56 | 256.7 | / | / | / | 7.0 |
| UG050-ASA |  | ISOLATIEPROFIEL ASA PROFIL D'ISOLATION ASA SCHRANKE AUS ASA THERMAL BREAK PROFILE ASAI | 56 | 256.7 | / | / | / | 7.0 |
| UG054 |  | PROFIEL ONDERDORPEL KUNSTSTOF PROFILE SYNTHETIQUE SEUIL KUNSTSTOFFPROFIL BASISPROFIL SYNTHETIC PROFILE SILL | 57 | 160.9 | / | / | / | 7.0 |
| UG551 |  | WISSELPROFIEL KUNSTSTOF CHICANE MATIERE SYNTHETIQUE WECHSELPROFIL KUNSTSTOFF SYNTHETIC MEETING SECTION | 57 | 123 | / | / | / | 6.5 |
| UG852 |  | KLIPSPROFIEL KUNSTSTOF VOOR UG851 CLIP MATIERE SYNTHETIQUE POUR UG851 ABDECKPROFIL KUNSTSTOFF FUER UG851 SYNTHETIC CLIP PROFILE FOR UG851 | 56 | 50.4 | / | / | / | 6.5 |

PROFIELEN - PROFILS-PROFILE - PROFILES


VG500



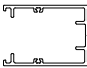

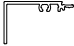
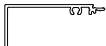



| NUMMER NUMERO NUMBER NUMBER | AFBEELDING IMAGE BILD PICTURE | OMSCHRIJVING DESCRIPTION BESCHREIBUNG DESCRIPTION | BLAD PAGE SEITE PAGE | OMTREK PERIM. PERIM. PERIM. (MM) | MECH. MEC. MECH. MEC. (MM) | IX (CM4) ----- WX (CM3) | IY (CM4) ----- WY (CM3) | LENGTE LONG. LANGE LENGTH (M) |
|--------------------------------------|---|---|-------------------------------|--|--|-------------------------------|-------------------------------|---|
| UN002 |  | AFWERKINGSPROFIEL PROFILE DE FINITION AUSFUEHRUNGSPROFIL FINISHING PROFILE PVC | 81 | 36.4 | / | / | / | 7.0 |
| UN010 |  | AANSLUITINGSPROFIEL VLOER PROFILE DE RACCORDEMENT AU SOL WANDANSCHLUSSPROFIL UNTEN CONNECTION PROFILE FLOOR | 81 | 110.6 | 63.1 | / | / | 7.0 |
| UN075 |  | LEKLUJST REJET D'EAU WETTERSCHENKEL DRIP CAP | 83 | 145.6 | 53.6 | / | / | 6.5 |
| UN078 |  | AFWERKINGSPROFIEL PROFILE DE FINITION AUSFUEHRUNGSPROFIL FINISHING PROFILE | 83 | 206.6 | 206.6 | / | / | 6.5 |
| UN150 |  | KOPPELPROFIEL PROFILE DE RACCORDEMENT KOPPLUNGSPROFIL CONNECTION PROFILE | 78 | 65.5 | 65.5 | / | / | 6.5 |
| UN151 |  | KOPPELPROFIEL PROFILE DE RACCORDEMENT KOPPLUNGSPROFIL CONNECTION PROFILE | 78 | 54.6 | 54.6 | / | / | 6.5 |
| UN177 |  | AFWERKINGSPROFIEL PROFILE DE FINITION AUSFUEHRUNGSPROFIL FINISHING PROFILE | 83 | 190,9 | 190,9 | / | / | 6.5 |
| UN312 |  | AFVOERGOOT OP VENSTERBANK 100 MM BAVETTE SUR ALLEGE 100 MM ENTWASSERUNG AUF FENSTERBANK 100 MM DRAINING ON WINDOWSILL 100 MM | 63 | 318,29 | 126,5 | / | / | 6.5 |
| UN313 |  | AFVOERGOOT OP VENSTERBANK 120 MM BAVETTE SUR ALLEGE 120 MM ENTWASSERUNG AUF FENSTERBANK 120 MM DRAINING ON WINDOWSILL 120 MM | 63 | 356 | 146,87 | / | / | 6.5 |

| NUMMER NUMERO NUMMER NUMBER | AFBEELDING IMAGE BILD PICTURE | OMSCHRIJVING DESCRIPTION BESCHREIBUNG DESCRIPTION | BLAD PAGE SEITE PAGE | OMTREK | MECH. | IX (CM4) ----- WX (CM3) | IY (CM4) ----- WY (CM3) | LENGTE LONG. LANGE LENGTH (M) |
|--------------------------------------|---|---|-------------------------------|------------------------------------|------------------------------|-------------------------------|-------------------------------|---|
| | | | | PERIM. PERIM. PERIM. (MM) | MEC. MEC. MEC. (MM) | | | |
| UN314 |  | AFVOERGOOT OP VENSTERBANK 140 MM BAVETTE SUR ALLEGE 140 MM ENTWASSERUNG AUF FENSTERBANK 140 MM DRAINING ON WINDOWSILL 140 MM | 63 | 398,59 | 166,6 | / | / | 6.5 |
| UN330 |  | AFWERKINGSPROFIEL TAPEE ZUSATSPROFIL FINISHING PROFILE | 64 | 65 | 26 | / | / | 6.5 |
| UN331 |  | AFWERKINGSPROFIEL TAPEE ZUSATSPROFIL FINISHING PROFILE | 64 | 85 | 36 | / | / | 6.5 |
| UN332 |  | AFWERKINGSPROFIEL TAPEE ZUSATSPROFIL FINISHING PROFILE | 64 | 105 | 46 | / | / | 6.5 |
| UN333 |  | AFWERKINGSPROFIEL TAPEE ZUSATSPROFIL FINISHING PROFILE | 64 | 125 | 56 | / | / | 6.5 |
| UN334 |  | AFWERKINGSPROFIEL TAPEE ZUSATSPROFIL FINISHING PROFILE | 64 | 145 | 66 | / | / | 6.5 |
| UN335 |  | AFWERKINGSPROFIEL TAPEE ZUSATSPROFIL FINISHING PROFILE | 64 | 205 | 96 | / | / | 6.5 |
| UN340 |  | AFWERKINGSPROFIEL TAPEE ZUSATSPROFIL FINISHING PROFILE | 65 | 75 | 32 | / | / | 6.5 |

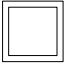

PROFIELEN - PROFILS-PROFILE - PROFILES

VG500

| NUMMER NUMERO NUMBER NUMBER | AFBEELDING IMAGE BILD PICTURE | OMSCHRIJVING DESCRIPTION BESCHREIBUNG DESCRIPTION | BLAD PAGE SEITE PAGE | OMTREK PERIM. PERIM. PERIM. (MM) | MECH. MEC. MECH. MEC. (MM) | IX (CM4) ----- WX (CM3) | IY (CM4) ----- WY (CM3) | LENGTE LONG. LANGE LENGTH (M) |
|--------------------------------------|---|--|-------------------------------|--|--|-------------------------------|-------------------------------|---|
| UN341 |  | AFWERKINGSPROFIEL TAPEE ZUSATSPROFIL FINISHING PROFILE | 65 | 95 | 42 | / | / | 6.5 |
| UN342 |  | AFWERKINGSPROFIEL TAPEE ZUSATSPROFIL FINISHING PROFILE | 65 | 115 | 52 | / | / | 6.5 |
| UN343 |  | AFWERKINGSPROFIEL TAPEE ZUSATSPROFIL FINISHING PROFILE | 65 | 135 | 62 | / | / | 6.5 |
| UN344 |  | AFWERKINGSPROFIEL TAPEE ZUSATSPROFIL FINISHING PROFILE | 65 | 155 | 72 | / | / | 6.5 |
| UN345 |  | AFWERKINGSPROFIEL TAPEE ZUSATSPROFIL FINISHING PROFILE | 65 | 215 | 102 | / | / | 6.5 |
| UN380 |  | DRUPNEUS REJET D'EAU WETTERSCHENKEL DRIP CAP | 82 | 218.9 | 170.3 | / | / | 7.0 |
| UN381 |  | AFWERKINGSPROFIEL PROFILE DE FINITION AUSFUEHRUNGSPROFIL FINISHING PROFILE | 82 | 126.2 | 14.62 | / | / | 6.5 |
| UN385 |  | VERBREDINGSPROFIEL PROFILE DE D'ELARGISSEMENT VERBREITERUNGSPROFIL ENLARGING PROFILE H = 10 MM | 82 | 105.5 | 21.2 | / | / | 7.0 |

| NUMMER NUMERO NUMBER NUMBER | AFBEELDING IMAGE BILD PICTURE | OMSCHRIJVING DESCRIPTION BESCHREIBUNG DESCRIPTION | BLAD PAGE SEITE PAGE | OMTREK PERIM. PERIM. PERIM. (MM) | MECH. MEC. MEC. MEC. (MM) | IX (CM4) ----- WX (CM3) | IY (CM4) ----- WY (CM3) | LENGTE LONG. LANGE LENGTH (M) |
|--------------------------------------|---|---|-------------------------------|--|---------------------------------------|-------------------------------|-------------------------------|---|
| UN500 |  | KLIPSPROFIEL VOOR UN510 CLIP POUR UN510 ABDECKPROFIL FUER UN510 CLIP PROFILE FOR UN510 | 51 | 137.4 | 52.0 | / | / | 6.5 |
| UN507 |  | KLIPSPROFIEL VOOR UN517 CLIP POUR UN517 ABDECKPROFIL FUER UN517 CLIP PROFILE FOR UN517 | 52 | 119,55 | 50,91 | / | / | 6.5 |
| UN510 |  | VERSTEVIINGS-PROFIEL PROFILE DE RENFORCEMENT VERSTAERKUNGS-PROFIL REINFORCEMENT PROFILE | 51 | 374.5 | 113.0 | 12.2 ----- 3.8 | 9.5 ----- 4.8 | 6.5 |
| UN517 |  | VERSTEVIINGS-PROFIEL PROFILE DE RENFORCEMENT VERSTAERKUNGS-PROFIL REINFORCEMENT PROFILE | 52 | 236,99 | 114,91 | 23,2 ----- 7,8 | 14,3 ----- 6,3 | 6.5 |
| UN9914 |  | AFWERKINGS-PROFIEL ISO 140MM PROFILE DE FINITION ISO 140MM AUSFUEHRUNGS-PROFIL ISO 140MM FINISHING PROFILE ISO 140MM | | 179,94 | 68,33 | 3,5 ----- 1,25 | 0,8 ----- 0,38 | 6.5 |
| UN9916 |  | AFWERKINGS-PROFIEL ISO 160MM PROFILE DE FINITION ISO 160MM AUSFUEHRUNGS-PROFIL ISO 160MM FINISHING PROFILE ISO 160MM | | 219,94 | 88,33 | 9,54 ----- 2,49 | 0,92 ----- 0,40 | 6.5 |
| UN9918 |  | AFWERKINGS-PROFIEL ISO 180MM PROFILE DE FINITION ISO 180MM AUSFUEHRUNGS-PROFIL ISO 180MM FINISHING PROFILE ISO 180MM | | 279,8 | 108,33 | 20,74 ----- 4,12 | 0,97 ----- 0,41 | 6.5 |
| UTL005 |  | U-PROFIEL 15X30X15X2 PROFIL EN U 15X30X15X2 U-PROFILE 15X30X15X2 U-BAR 15X30X15X2 | | 116 | | | | 6.0 |
| UTL080 |  | RECHTHOEKIGE BUIS TUBE RECTANGULAIRE RECHTECKROHRE RECTANGULAR TUBE 40x30x3 ALU | 51 | 139.2 | 139.2 | 8.2 ----- 4.1 | 5.1 ----- 3.4 | 6.0 |

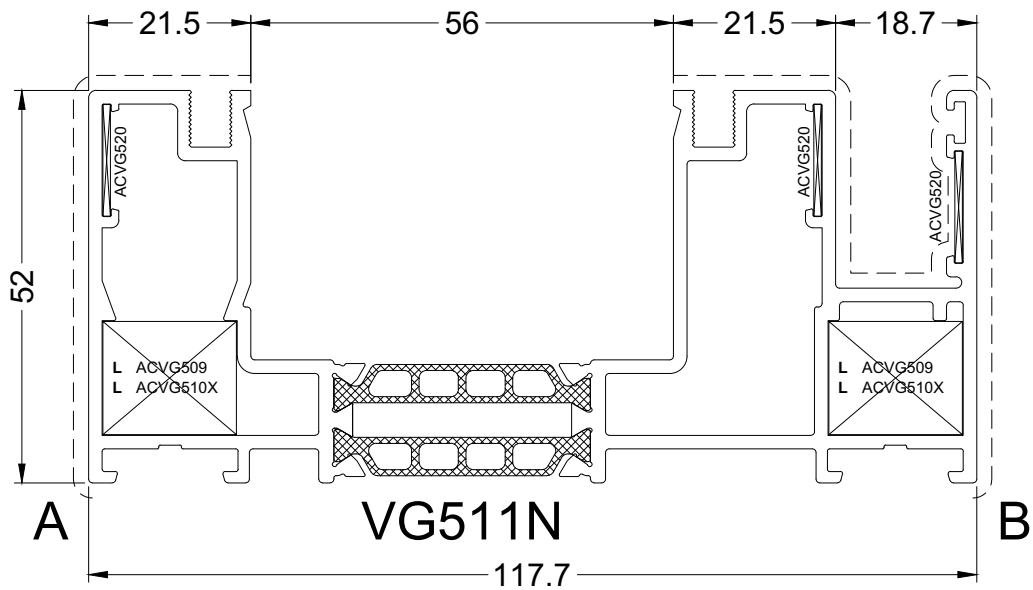
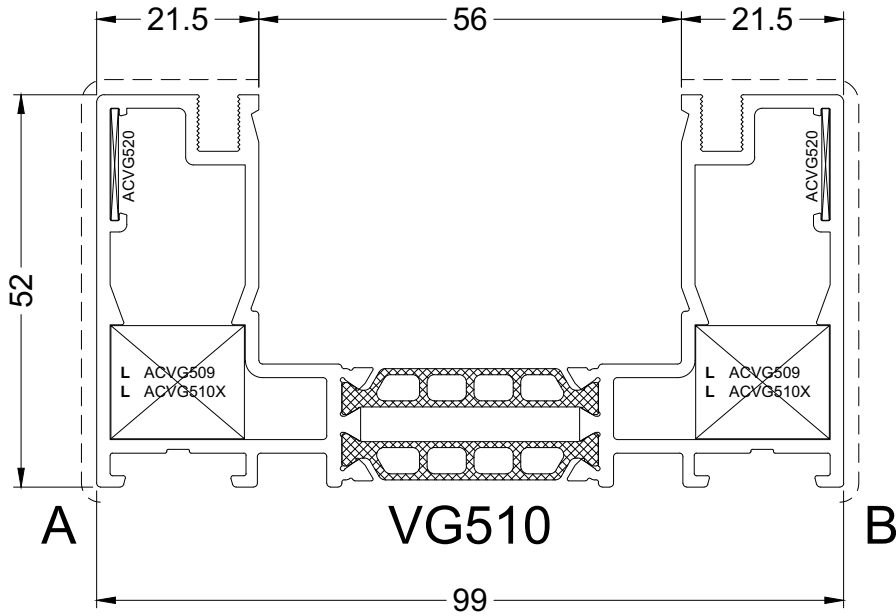
VG500

| NUMMER NUMERO NUMMER NUMBER | AFBEELDING IMAGE BILD PICTURE | OMSCHRIJVING DESCRIPTION BESCHREIBUNG DESCRIPTION | BLAD PAGE SEITE PAGE | OMTREK PERIM. PERIM. PERIM. (MM) | MECH. MEC. MECH. MEC. (MM) | IX (CM4) ----- WX (CM3) | IY (CM4) ----- WY (CM3) | LENGTE LONG. LANGE LENGTH (M) |
|--------------------------------------|---|--|-------------------------------|--|--|-------------------------------|-------------------------------|---|
| UTL100 |  | VIERKANTE BUIS 40 X 40 X 4 TUBE CARRE 40 X 40 X 4 VIERKANTROHRE 40 X 40 X 4 SQUARE TUBE 40 X 40 X 4 | 52 | 160,00 | 160,00 | 12,59 ----- 6,29 | 12,59 ----- 6,29 | 6.0 |
| VR075 |  | KOPPELPROFIEL PROFILE DE RACCORDEMENT KOPPLUNGSPROFIL CONNECTION PROFILE | 78 | 54.1 | 54.1 | / | / | 6.5 |

VG500

BUITENKADER
DORMANT FENETRE
BLENDRAHMEN
OUTER FRAME

PROFIELEN - PROFILS - PROFILE - PROFILES



BK_1

aliplast
member of

CORIALIS

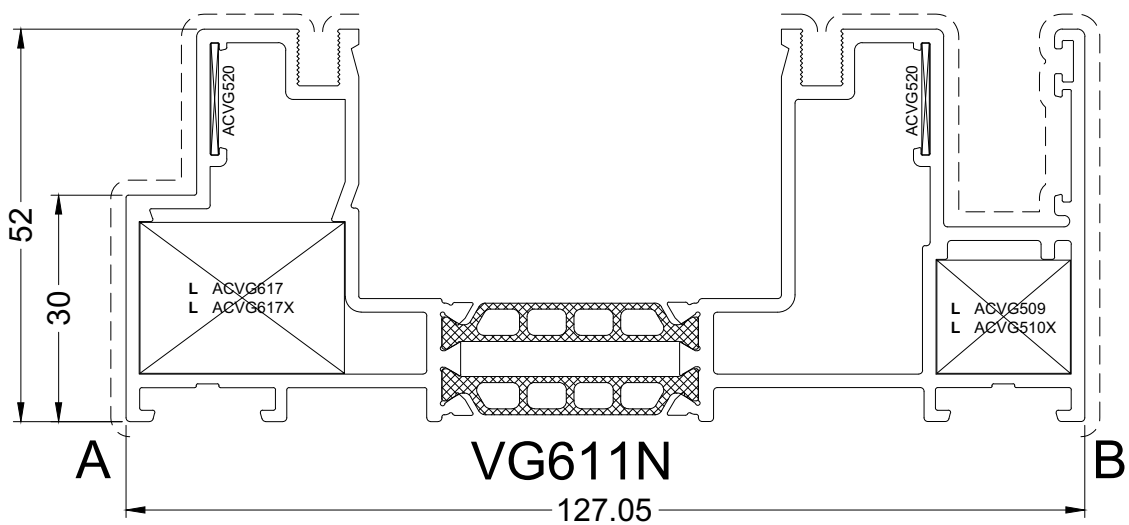
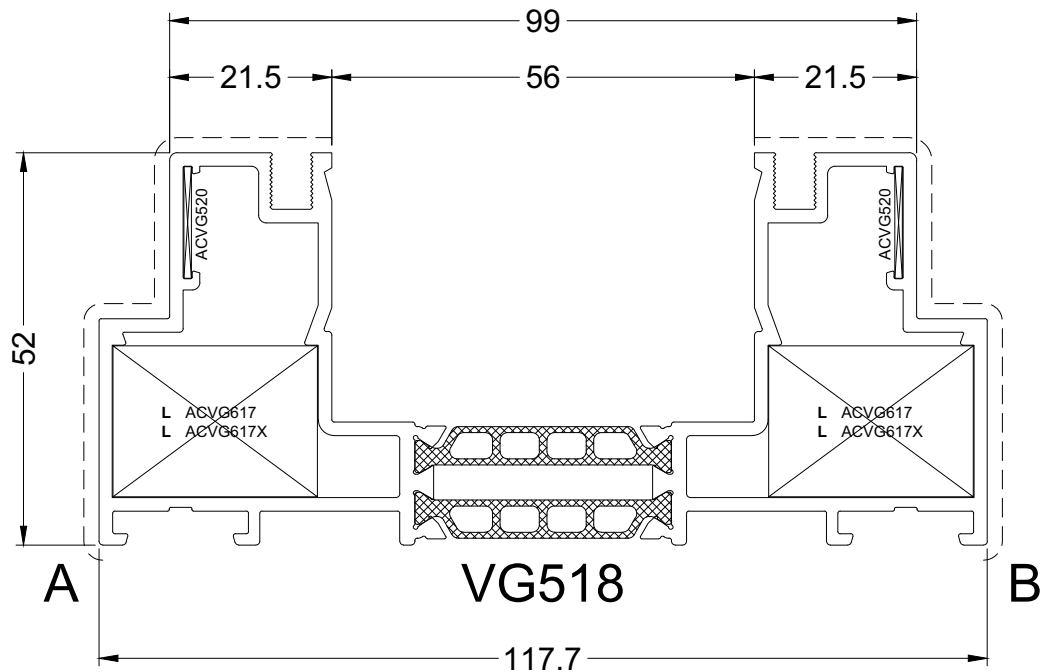


Primaire zichtbare zijde
Face visible primaire

Primär sichtbare Seite
Primary visible side

VG500

BUITENKADER
DORMANT FENETRE
BLENDRAHMEN
OUTER FRAME



BK_2

28



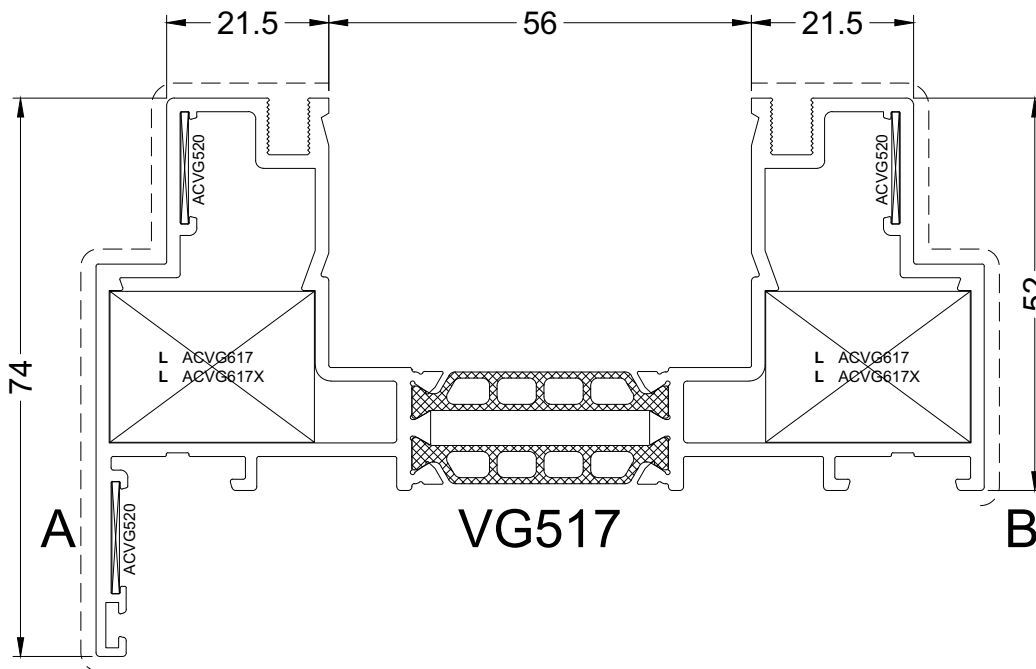
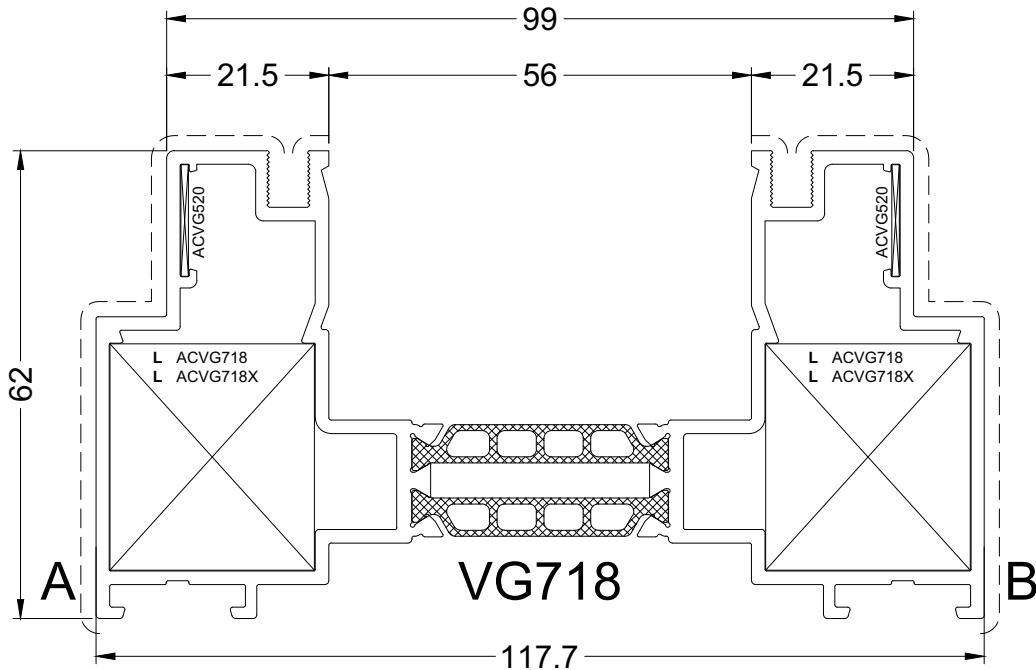
Primaire zichtbare zijde
Face visible primaire

Primär sichtbare Seite
Primary visible side

VG500

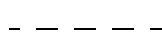
BUITENKADER
DORMANT FENETRE
BLENDRAHMEN
OUTER FRAME

PROFIELEN - PROFILS - PROFILE - PROFILES



BK_2-1B

aliplast
member of

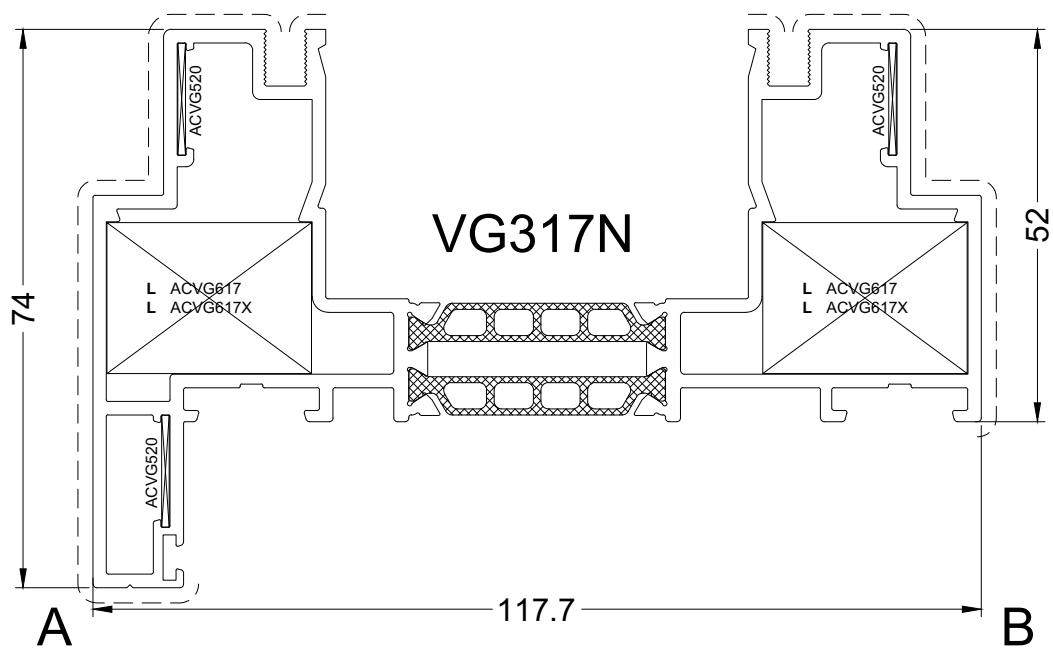
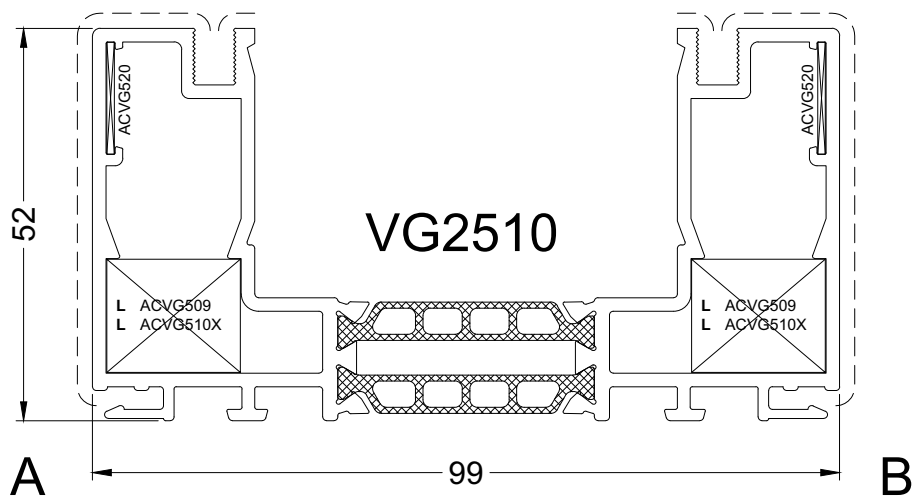


Primäre sichtbare zijde
Face visible primaire

Primär sichtbare Seite
Primary visible side

VG500

BUITENKADER
 DORMANT FENETRE
 BLENDRAHMEN
 OUTER FRAME



BK_2B

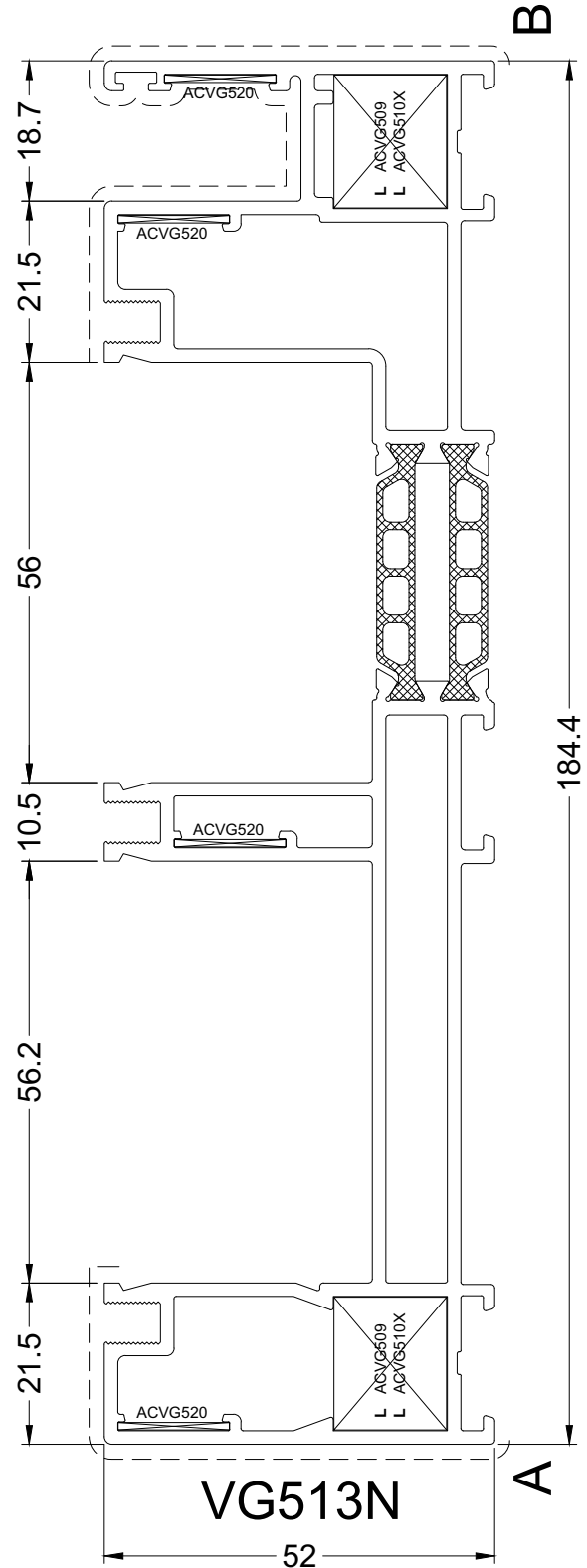
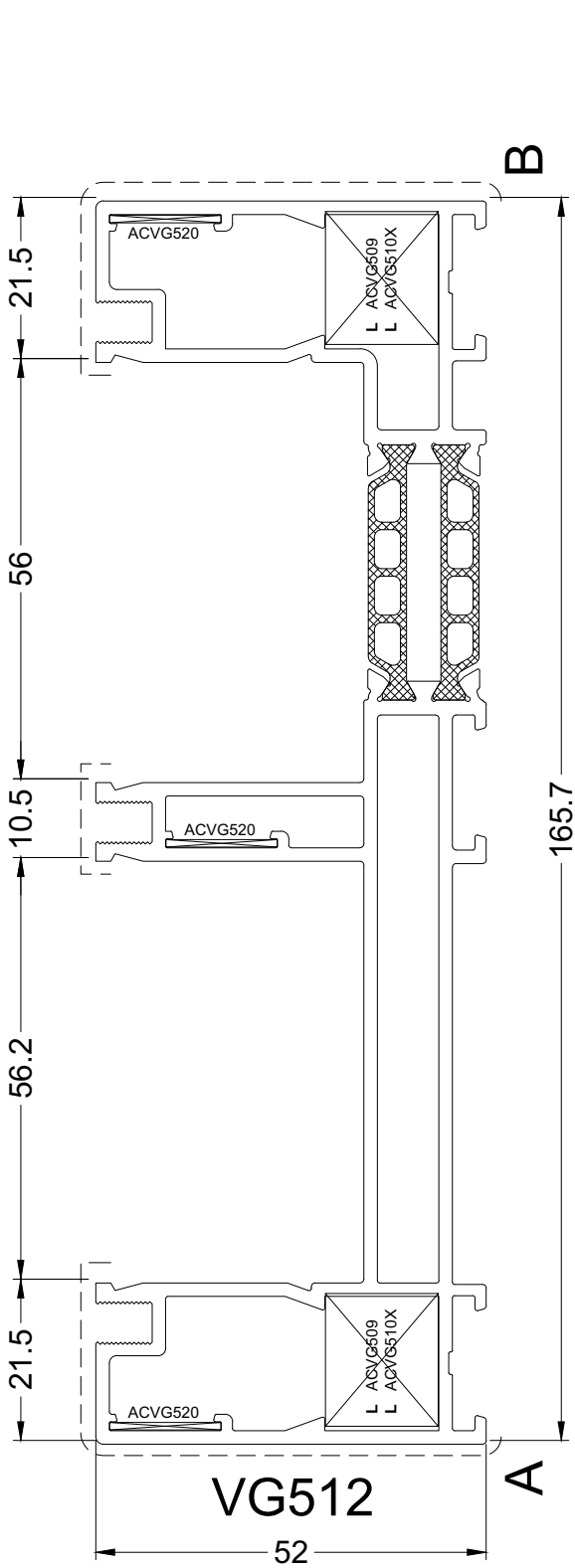


Primaire zichtbare zijde
 Face visible primaire

Primär sichtbare Seite
 Primary visible side

VG500

BUITENKADER
DORMANT FENETRE
BLENDRAHMEN
OUTER FRAME



PROFIELEN - PROFILS - PROFILE - PROFILES

BK_3

aliplast
member of

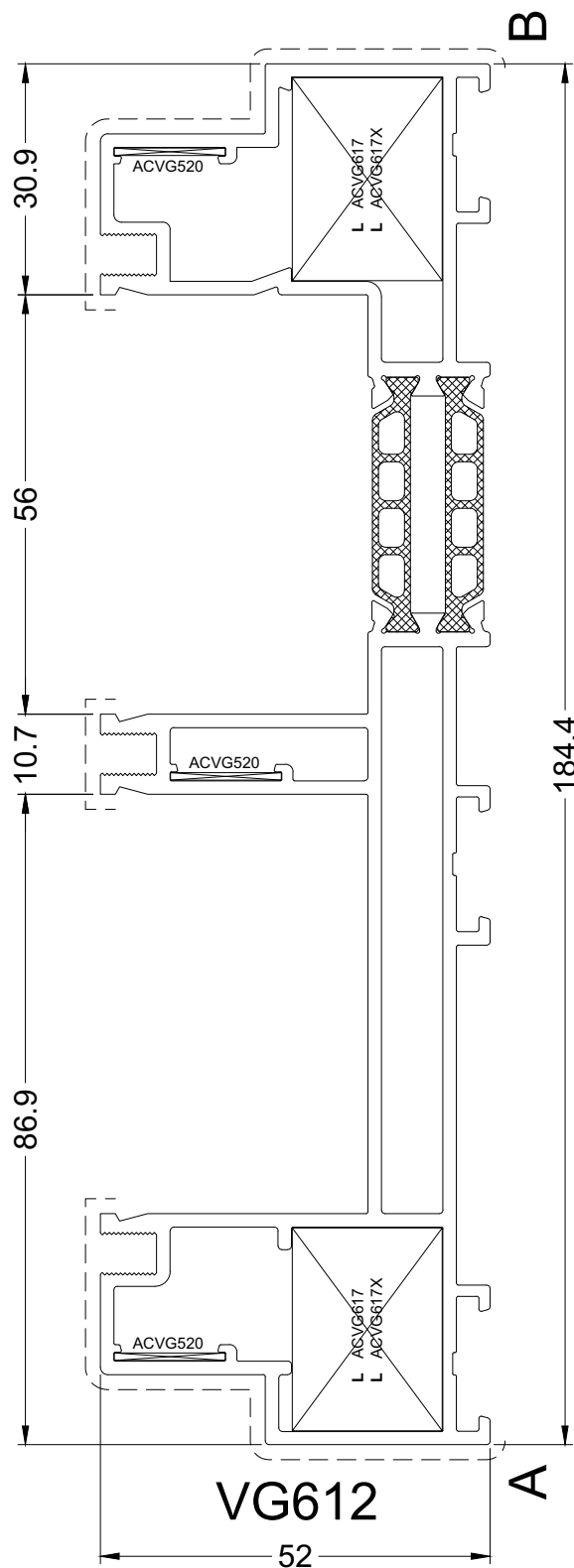


Primaire zichtbare zijde
Face visible primaire

Primär sichtbare Seite
Primary visible side

VG500

BUITENKADER
 DORMANT FENETRE
 BLENDRAHMEN
 OUTER FRAME

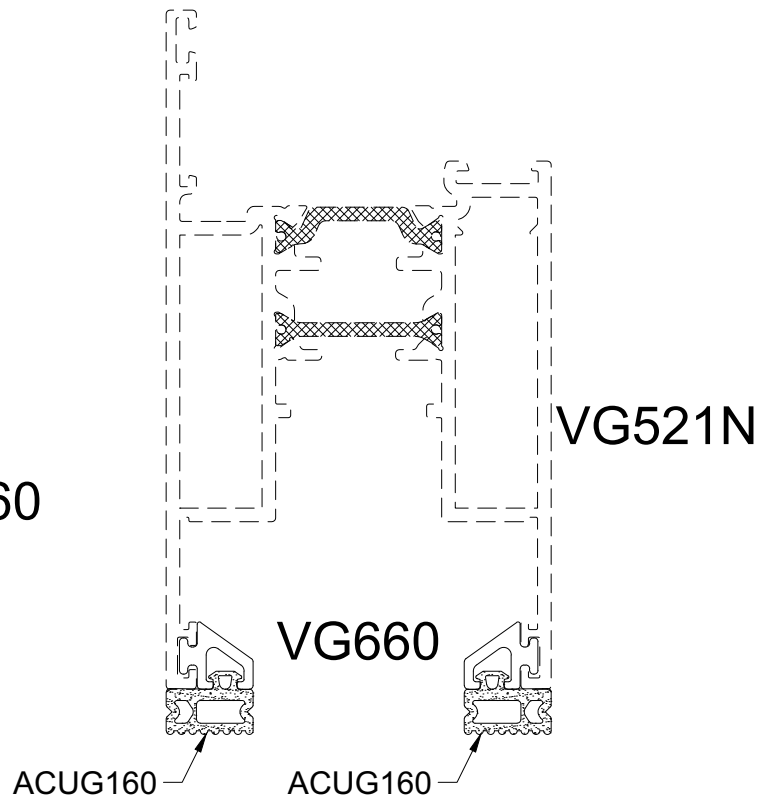
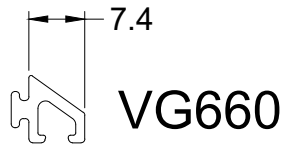
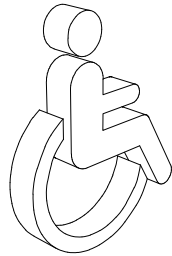
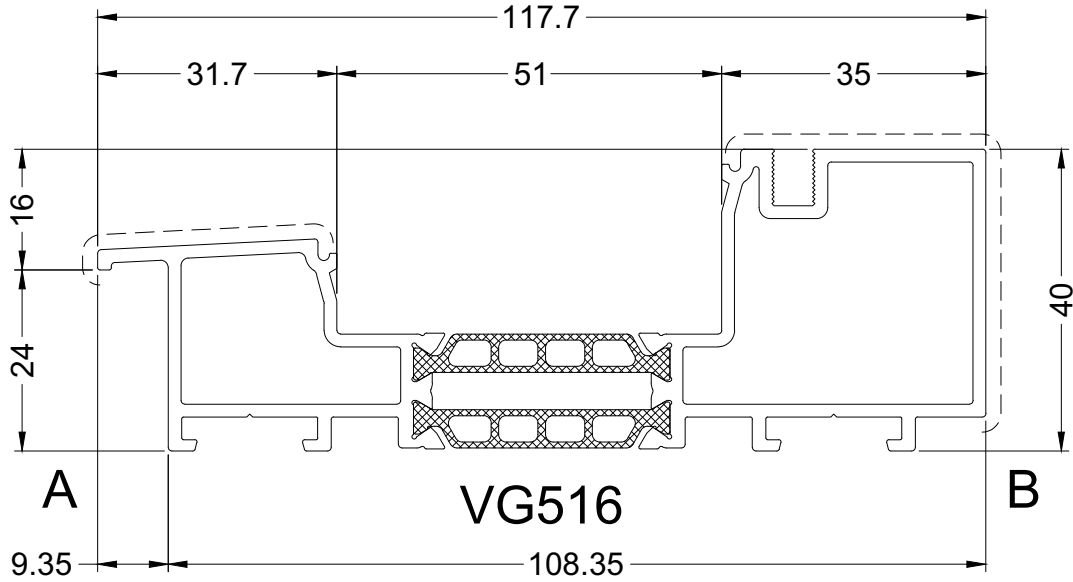


BK_4

----- Primaire zichtbare zijde Primär sichtbare Seite
 Face visible primaire Primary visible side

VG500

BUITENKADER
DORMANT FENETRE
BLENDRAHMEN
OUTER FRAME



PROFIELEN - PROFILS - PROFILE - PROFILES

BK_5

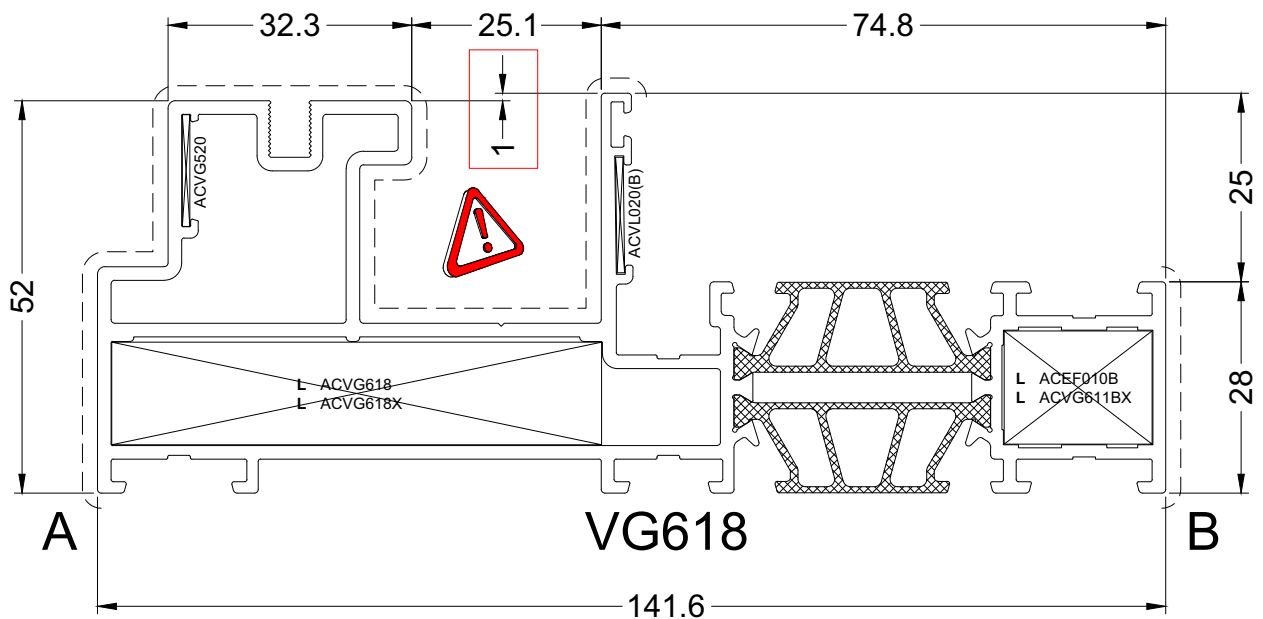
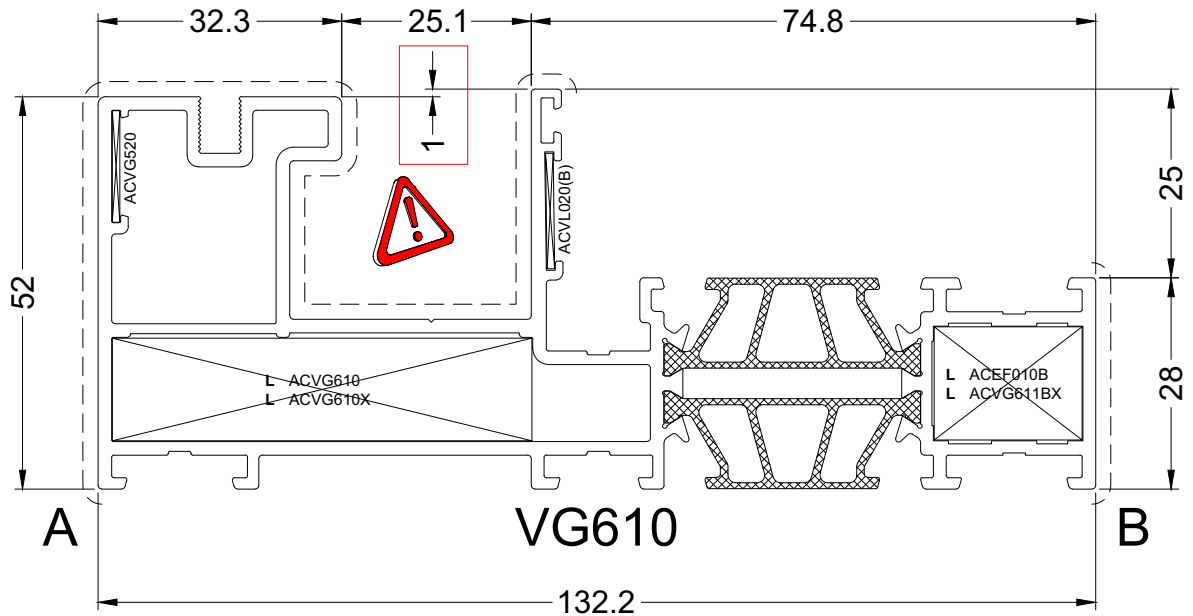


Primaire zichtbare zijde
Face visible primaire

Primär sichtbare Seite
Primary visible side

VG500

BUITENKADER
DORMANT FENETRE
BLENDRAHMEN
OUTER FRAME



BK_6

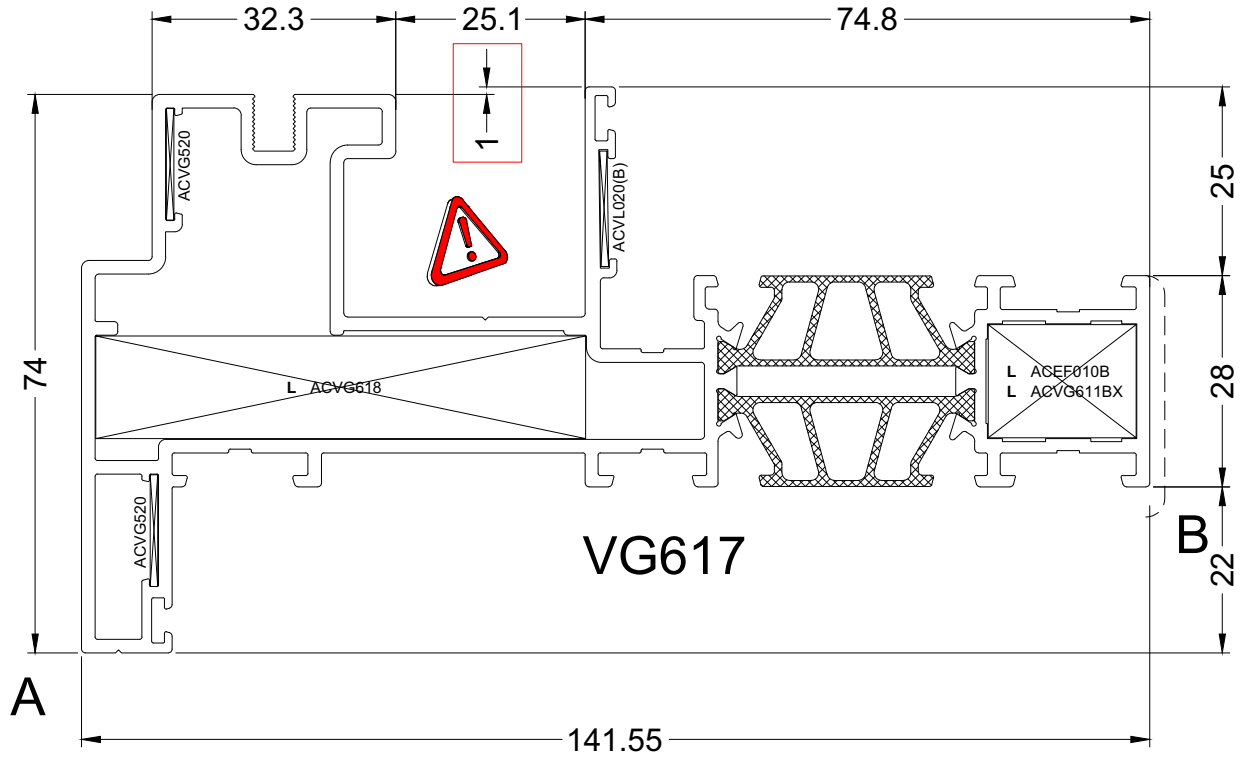


Primaire zichtbare zijde
Face visible primaire

Primär sichtbare Seite
Primary visible side

VG500

BUITENKADER
DORMANT FENETRE
BLENDRAHMEN
OUTER FRAME



PROFIELEN - PROFILS - PROFILE - PROFILES

BK-VG617

aliplast
member of

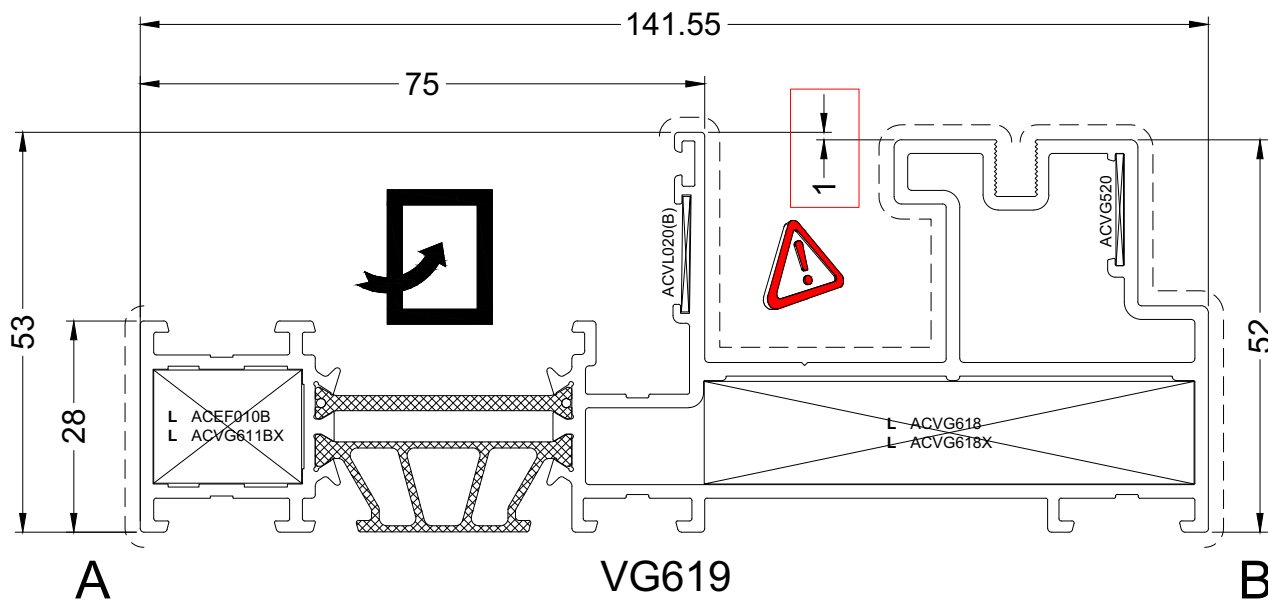
CORIALIS

----- Primaire zichtbare zijde
Face visible primaire

----- Primär sichtbare Seite
Primary visible side

VG500

BUITENKADER
 DORMANT FENETRE
 BLENDRAHMEN
 OUTER FRAME



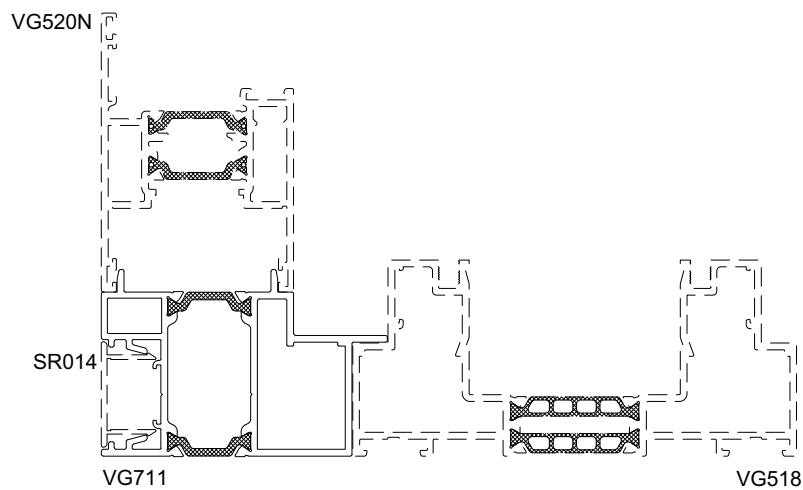
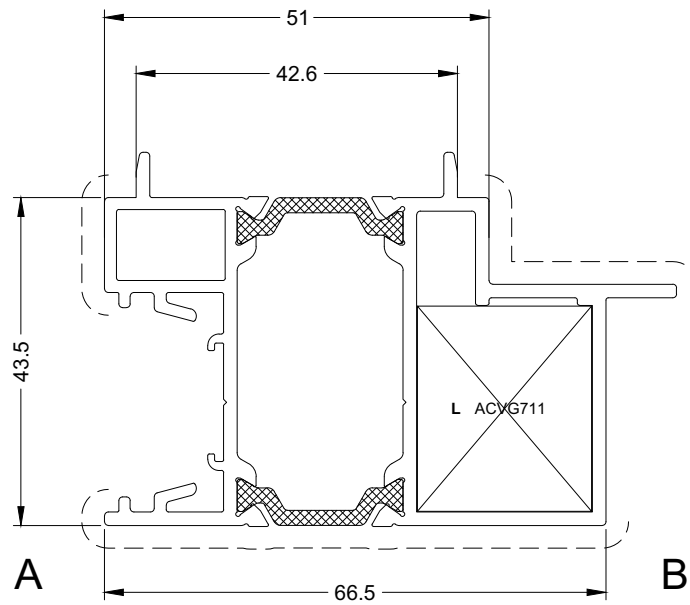
BK_7

----- Primaire zichtbare zijde
 Face visible primaire

----- Primär sichtbare Seite
 Primary visible side

VASTE VOORZETKADER
 PRÉCADRE FIX
 ANBAU RAHMEN
 FRAME EXTENSION

VG711



BK_8-VG711

aliplast
 member of

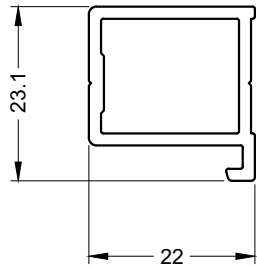


Primaire zichtbare zijde
 Face visible primaire

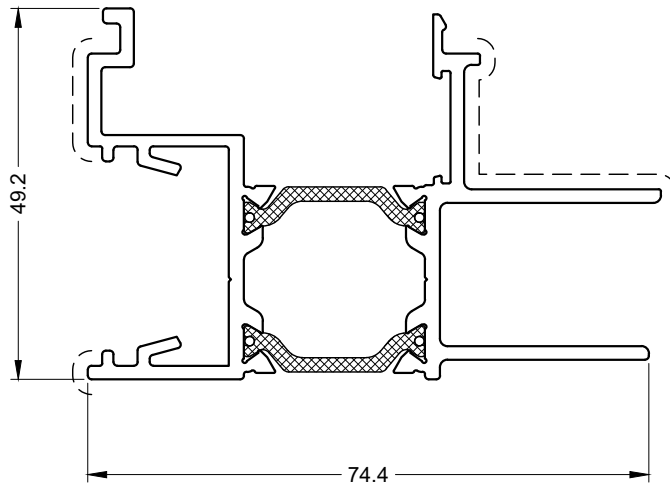
Primär sichtbare Seite
 Primary visible side

VG500

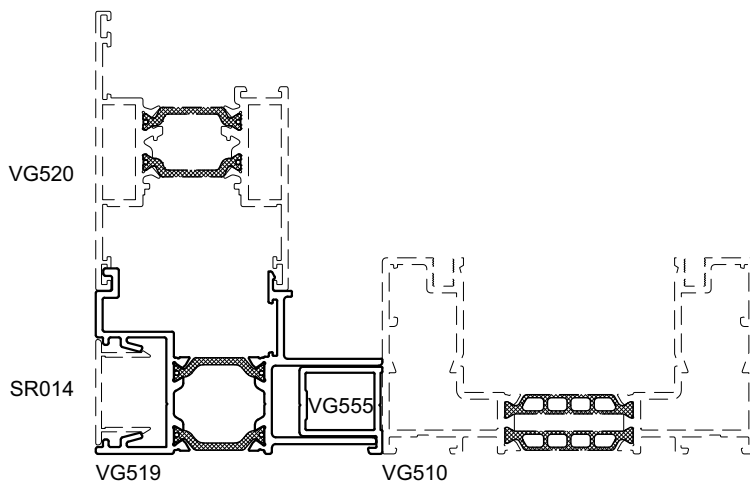
VASTE VOORZETKADER
 PRÉCADRE FIX
 ANBAU RAHMEN
 FRAME EXTENSION



VG555



VG519



VG555_VG519

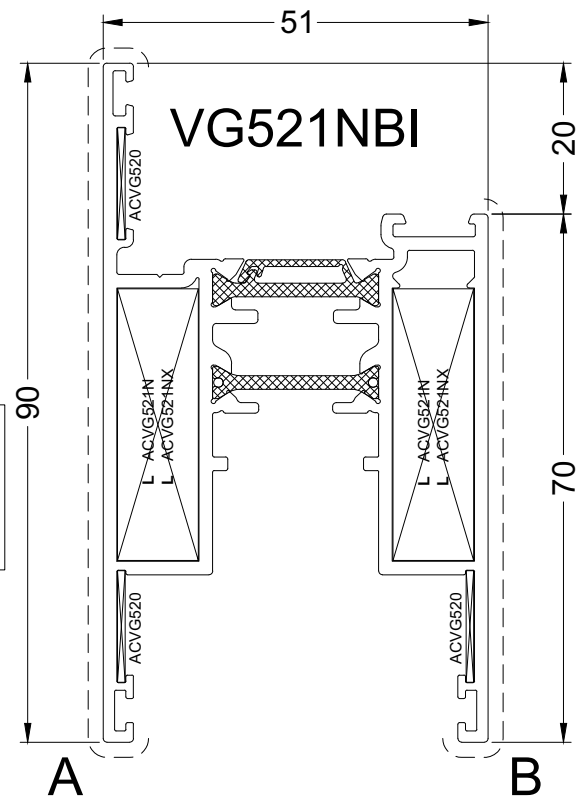
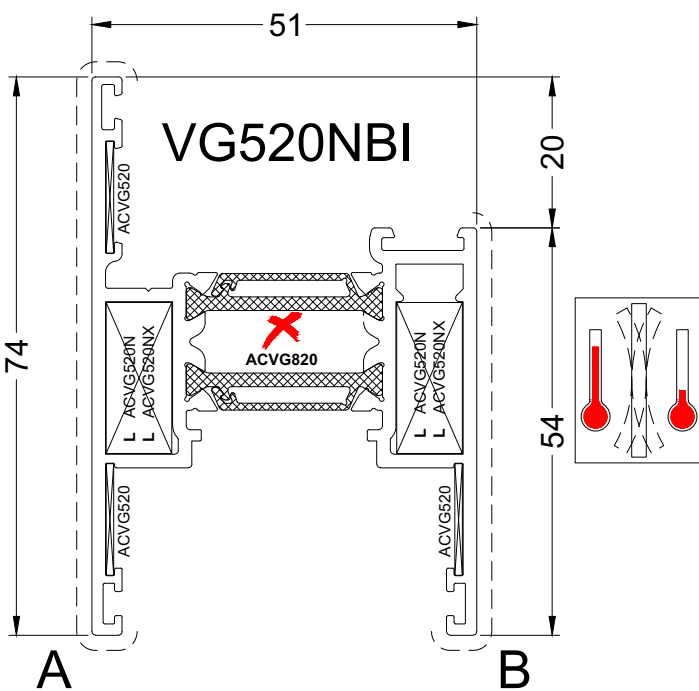
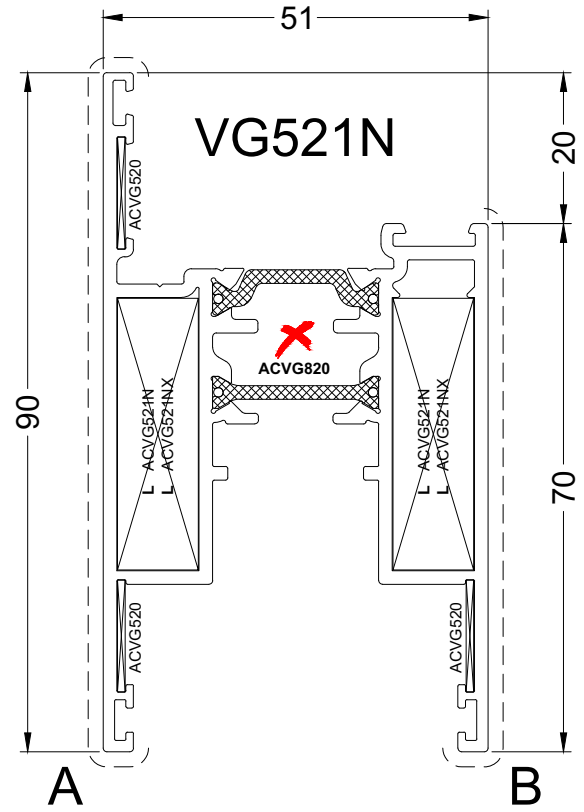
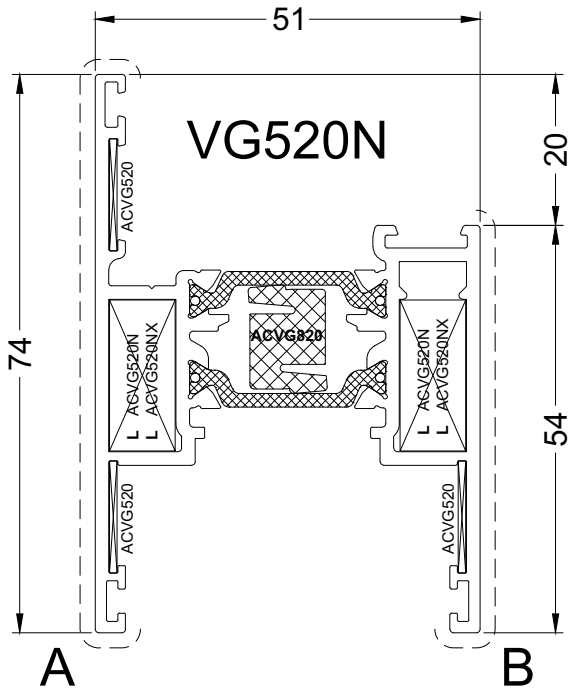


Primaire zichtbare zijde
 Face visible primaire

Primär sichtbare Seite
 Primary visible side

VG500

VLEUGELS
OUVRANTS
FLÜGEL
VENTS



VL_1

aliplast
member of



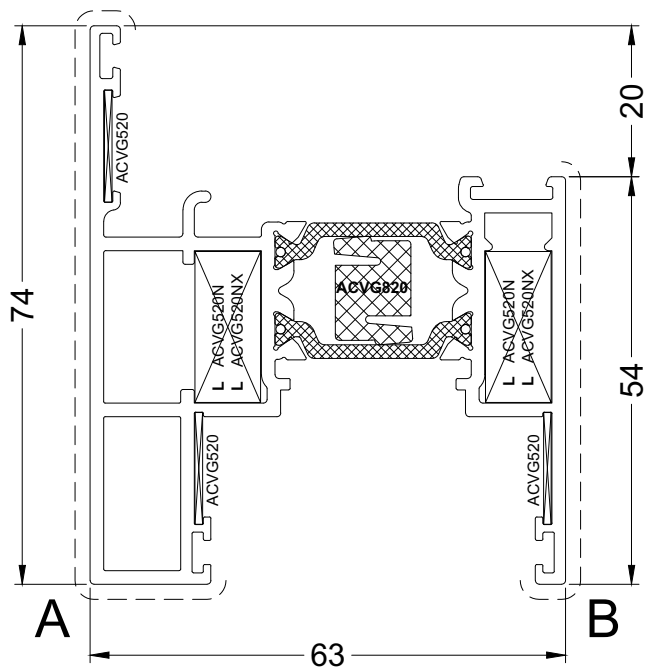
Primaire zichtbare zijde
Face visible primaire

Primär sichtbare Seite
Primary visible side

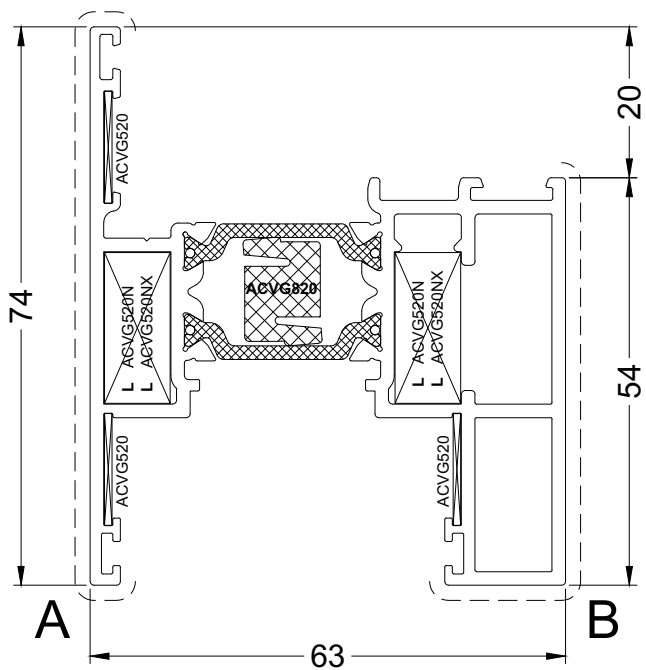
PROFILEN - PROFILS - PROFILE - PROFILES

VG500

VLEUGELS
OUVRANTS
FLÜGEL
VENTS



VG5120



VG5220

VL_1-B

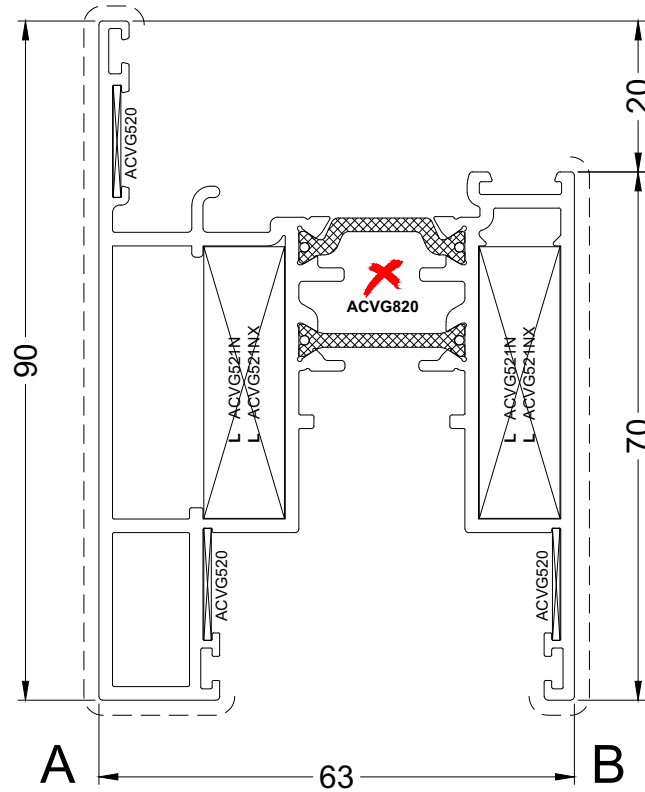


Primaire zichtbare zijde
Face visible primaire

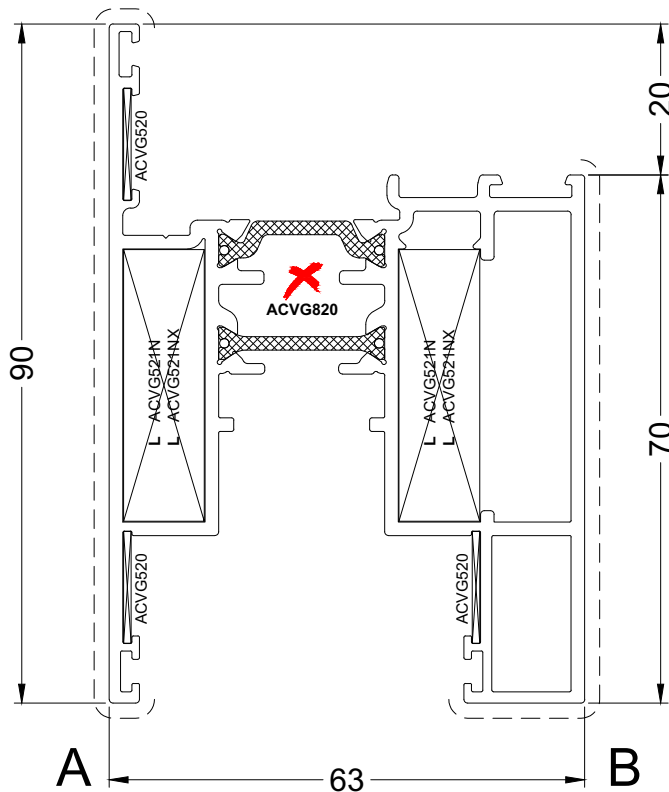
Primär sichtbare Seite
Primary visible side

VG500

VLEUGELS
OUVRANTS
FLÜGEL
VENTS



VG5121



VG5221

PROFIELEN - PROFILS - PROFILE - PROFILES

VL_1-C

aliplast
member of

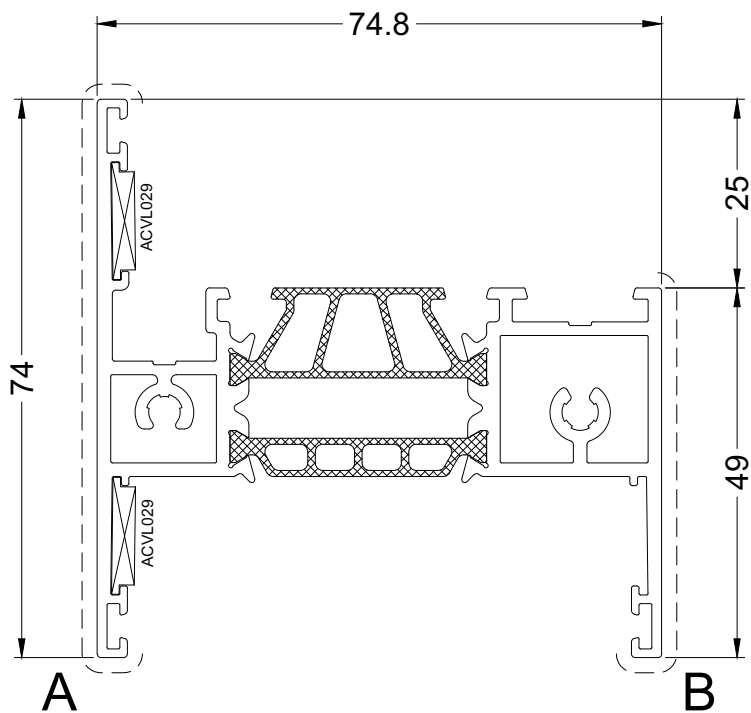


Primaire zichtbare zijde
Face visible primaire

Primär sichtbare Seite
Primary visible side

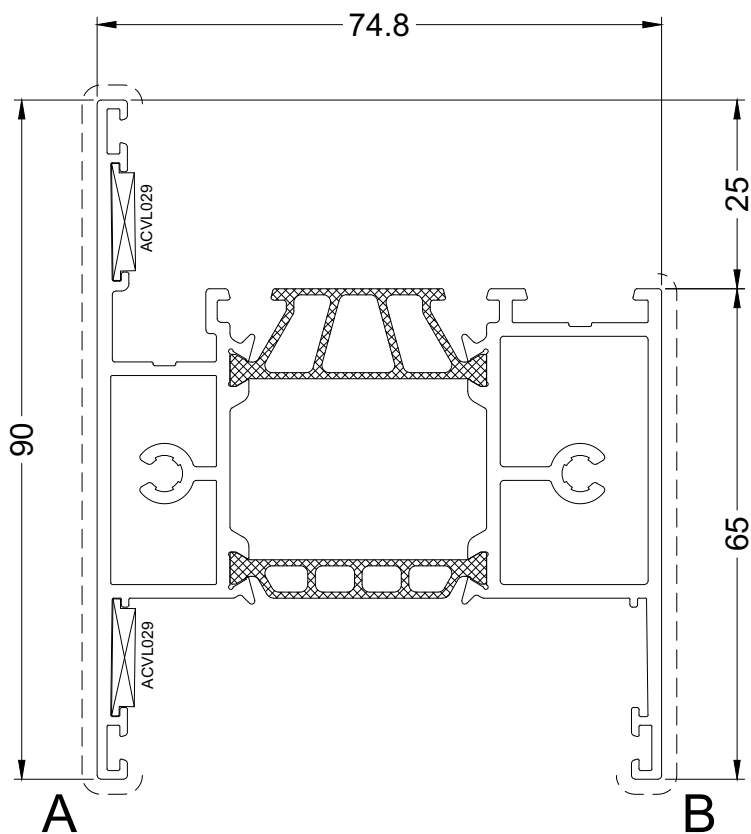
VG500

STIJL VOOR MONORAIL
 TRAVERS POUR MONORAIL
 SPROSSENPROFIL FÜR MONORAIL
 TRANSOM FOR MONORAIL



VG620

LET OP BIJ BI-COLOR : KLEURZIJDE !
 ATTENTION AVEC BI-COLOR : CÔTÉ DE COULEUR !
 AUFMERKSAMKEIT MIT BI-COLOR : FARBE SEITE !
 ATTENTION WITH DUAL COLOR : COLOR SIDE !



VG621

VL_2



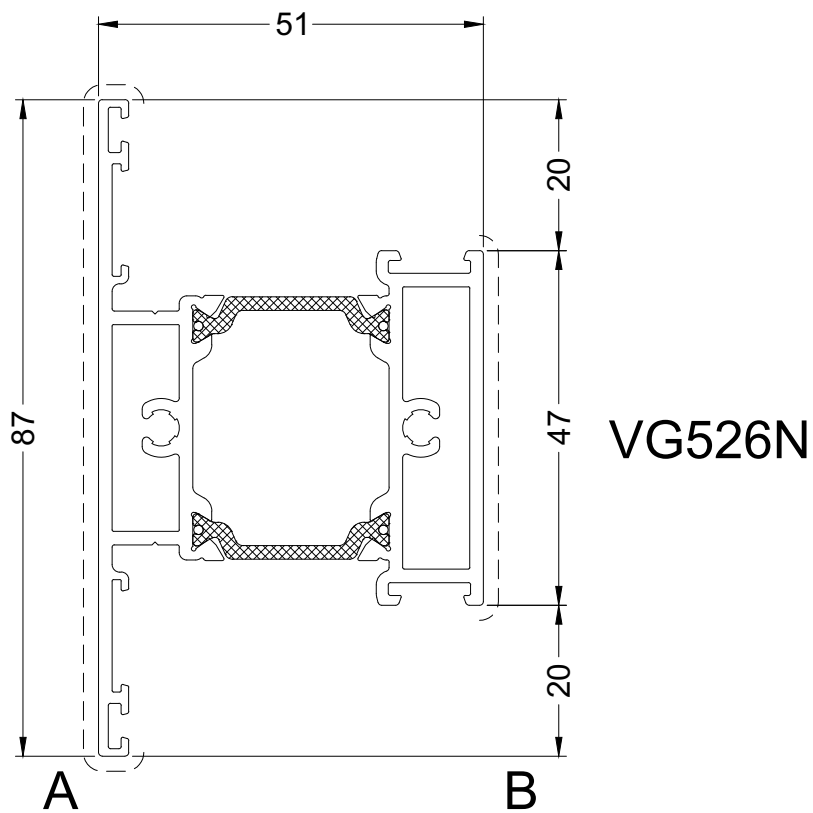
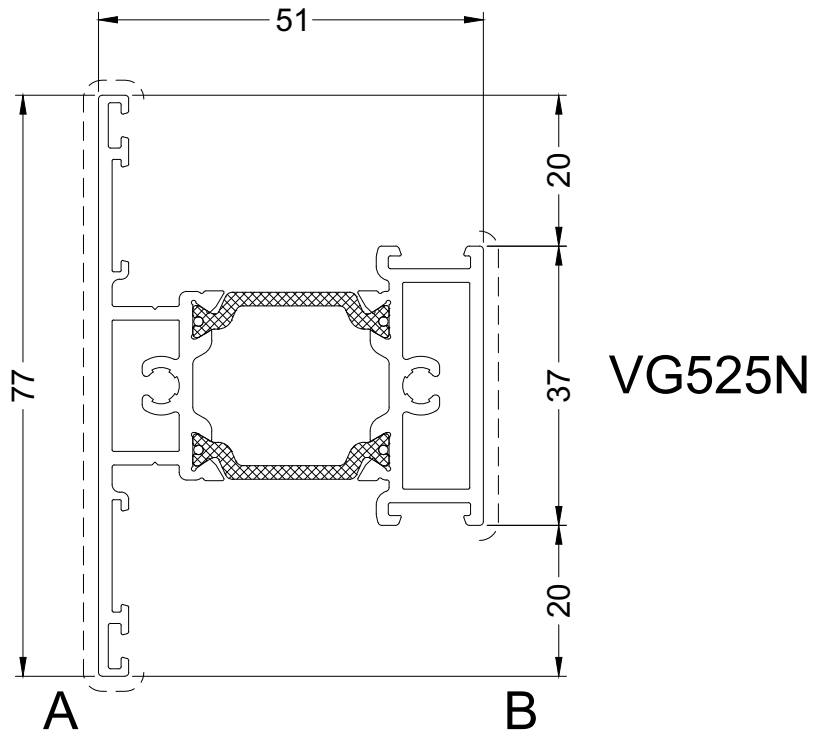
Primaire zichtbare zijde
 Face visible primaire

Primär sichtbare Seite
 Primary visible side

VG500

T-PROFIELEN
 TRAVERSES
 TRANSOM-MULLIONS
 SPROSSEN

PROFIELEN - PROFILS-PROFILE - PROFILES



T_1

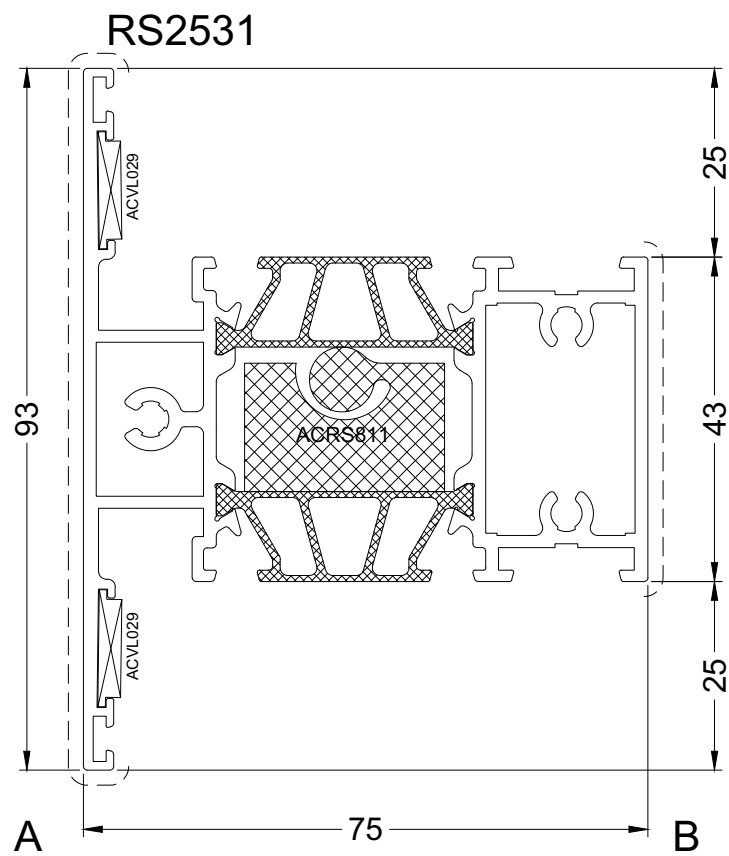


Primaire zichtbare zijde
 Face visible primaire

Primär sichtbare Seite
 Primary visible side

VG500

T-PROFIELEN
TRAVERSES
TRANSOM-MULLIONS
SPROSSEN



RS2531

44

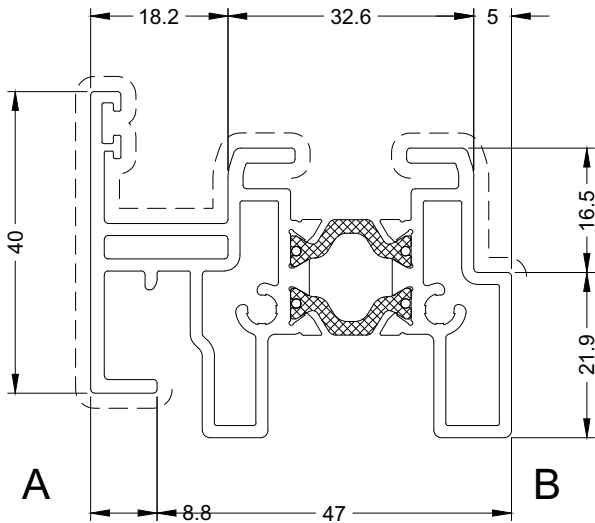


Primaire zichtbare zijde
Face visible primaire

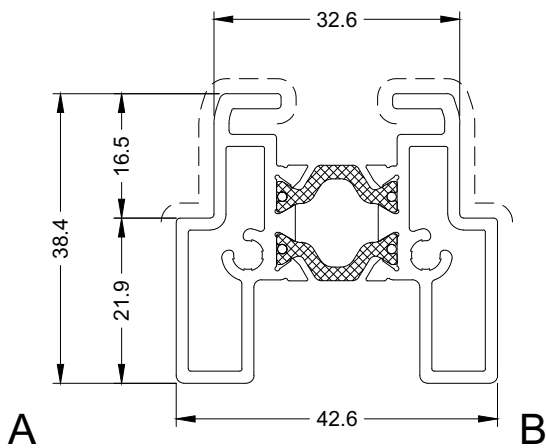
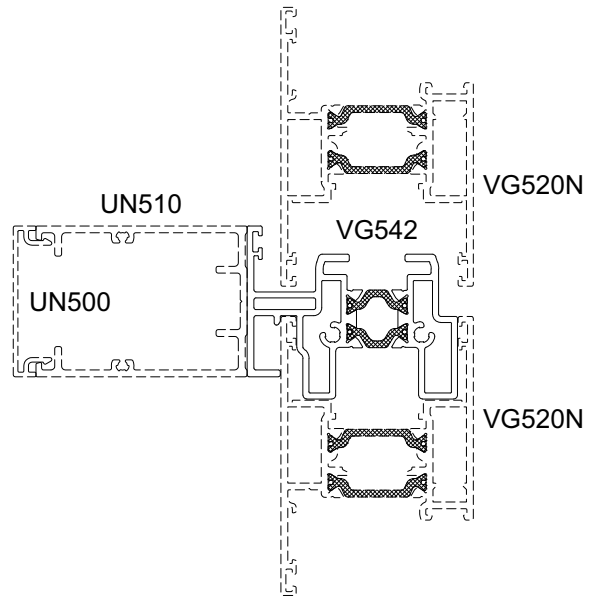
Primär sichtbare Seite
Primary visible side

VG500

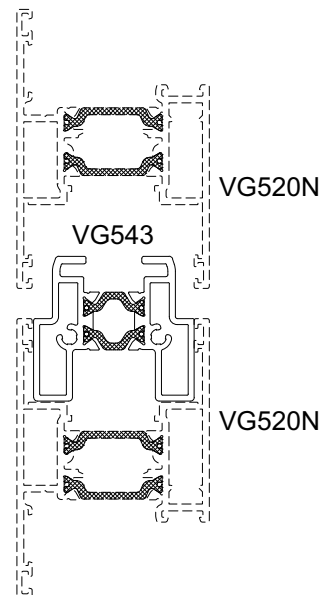
MIDDENSTIJL 4-SLAG
 LIAISON CENTRALE 4 VANTAUX
 STULPPROFIL TUERFLUEGEL 4-SCHLAG
 MEETING STYLE 4 DOORS



VG542



VG543



PROFIELEN - PROFILS - PROFILE - PROFILES

4SLAG_1

aliplast
 member of

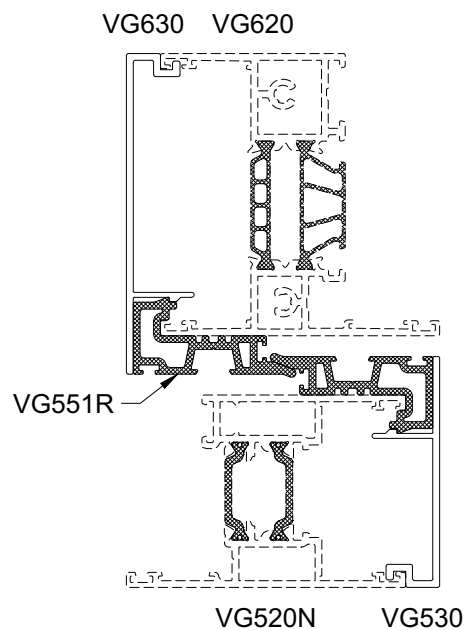
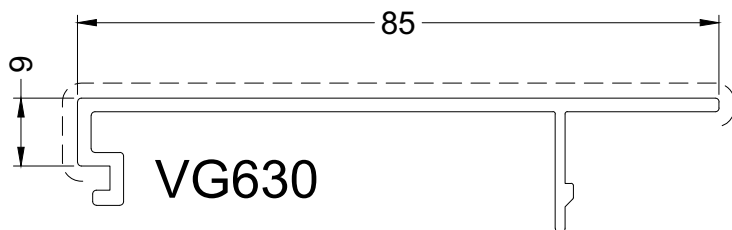
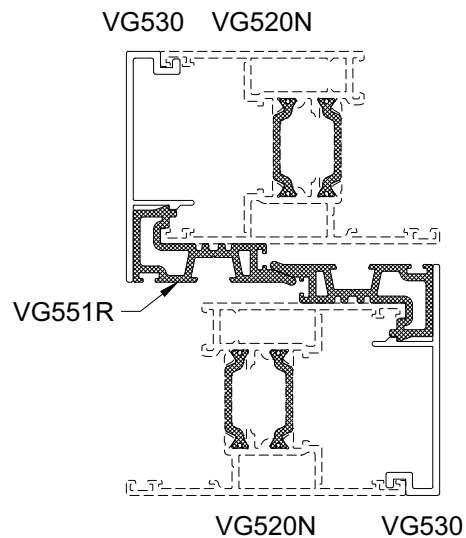
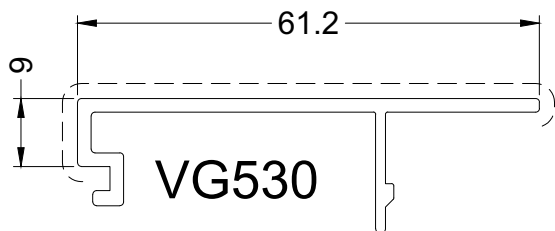


Primaire zichtbare zijde
 Face visible primaire

Primär sichtbare Seite
 Primary visible side

VG500

WISSELPROFIEL
 CHICANE
 WECHSELPROFIL
 MEETING SECTION



CHI_1

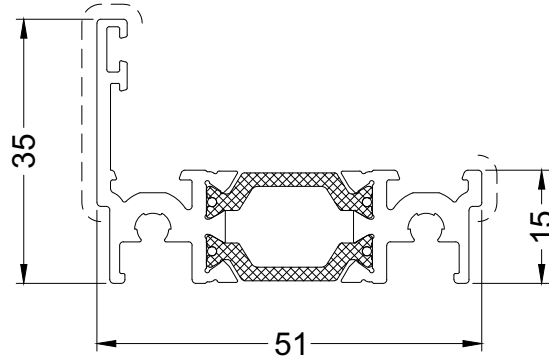
----- Primaire zichtbare zijde
 Face visible primaire

----- Primär sichtbare Seite
 Primary visible side

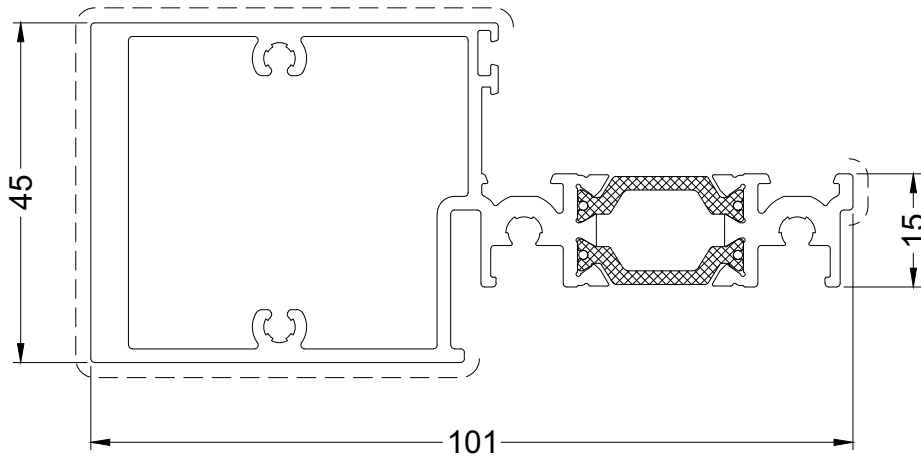
VG500

MIDDENSTIJL
LIAISON CENTRALE
STULPPROFIL TUERFLUEGEL
MEETING SECTION

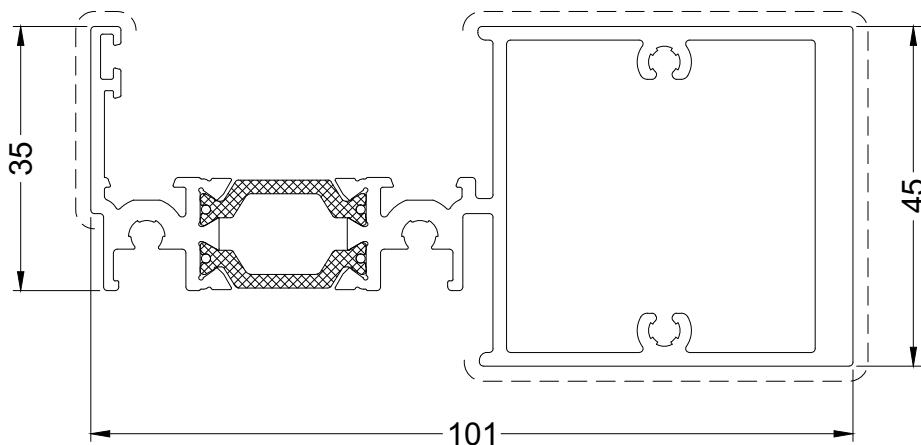
VG522



VG523



VG524



SMALLE-CHICANE

aliplast
member of



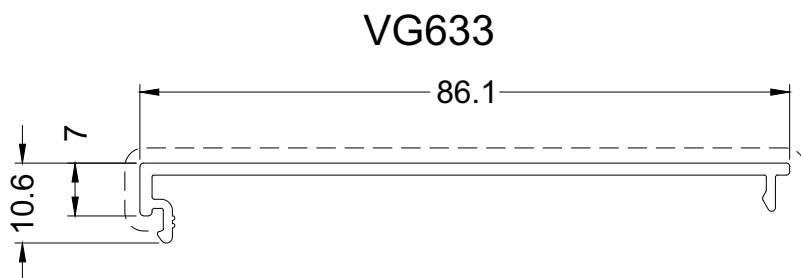
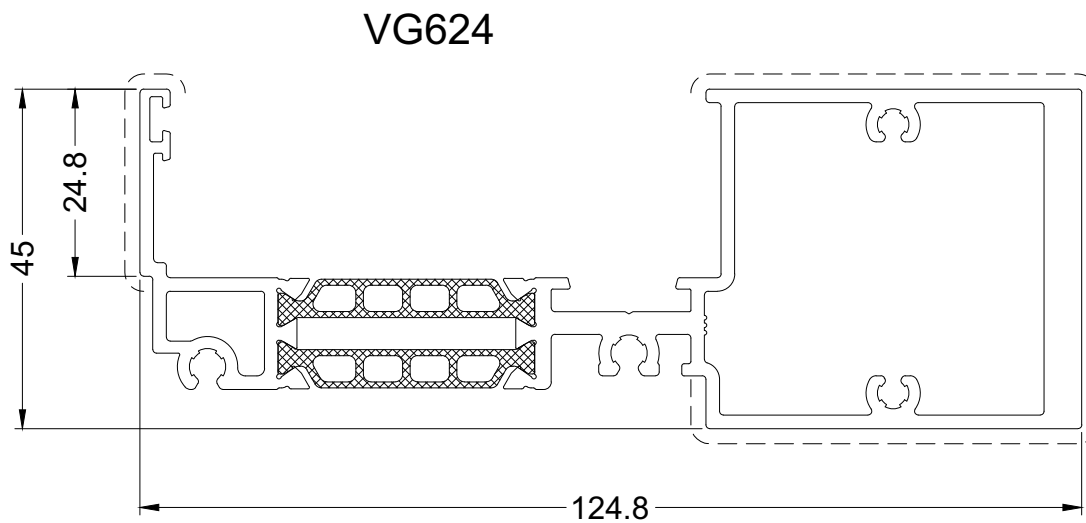
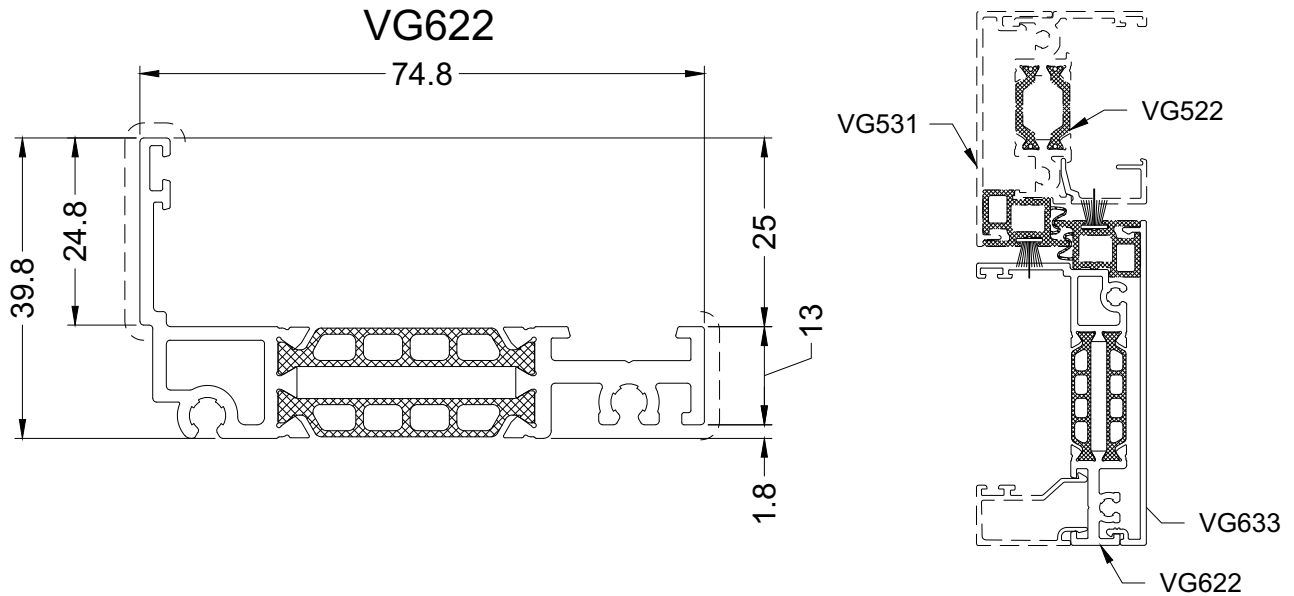
--- Primaire zichtbare zijde
Face visible primaire

--- Primär sichtbare Seite
Primary visible side

PROFIELEN - PROFILS-PROFILE - PROFILES

VG500

MIDDENSTIJL MAXLIGHT MONORAIL
 LIAISON CENTRALE MAXLIGHT MONORAIL
 STULPPROFIL TUERFLUEGEL MAXLIGHT MONORAIL
 MEETING SECTIONB MAXLIGHT MONORAIL



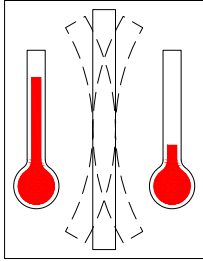
ML_MONO



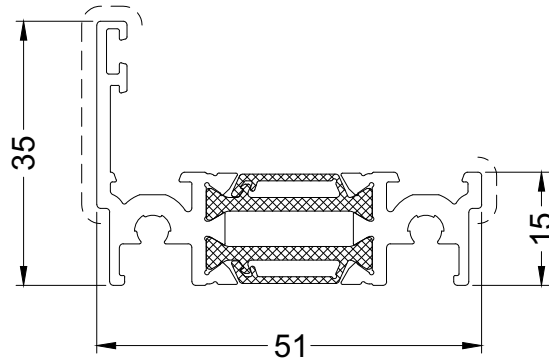
Primaire zichtbare zijde
 Face visible primaire

Primär sichtbare Seite
 Primary visible side

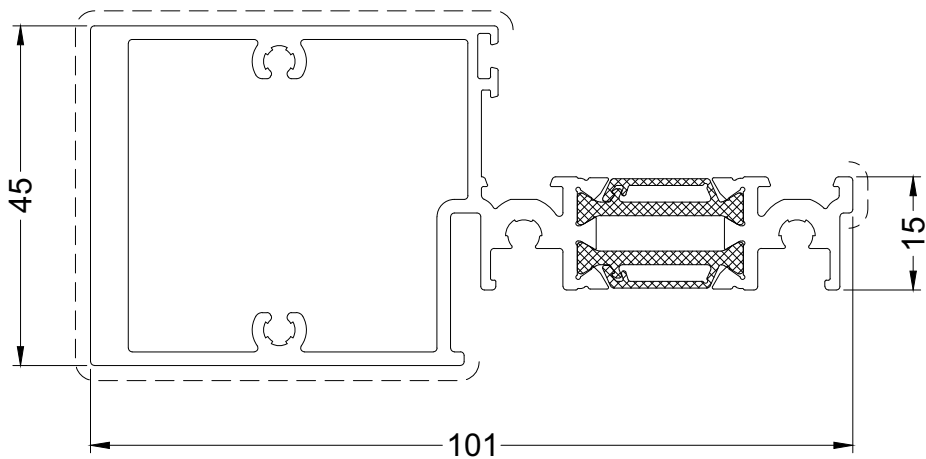
MIDDENSTIJL
LIAISON CENTRALE
STULPPROFIL TUERFLUEGEL
MEETING SECTION



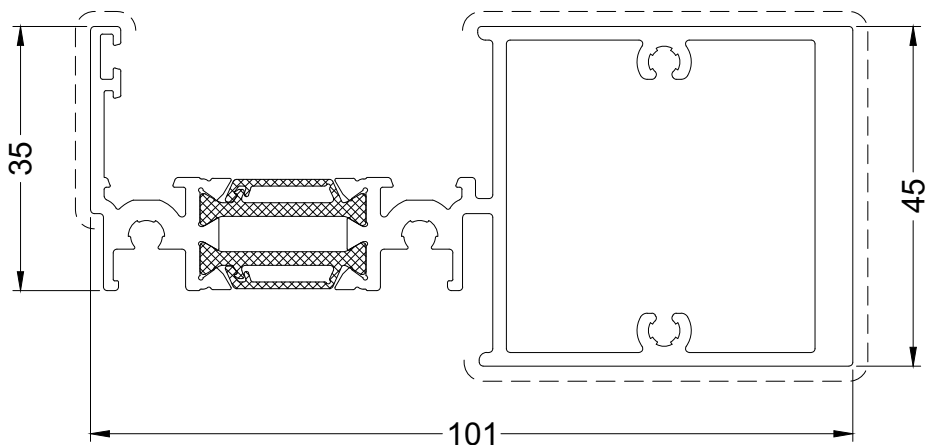
VG522BI



VG523BI

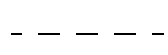


VG524BI



SMALLE-CHICANE-BIMETAL

aliplast
member of

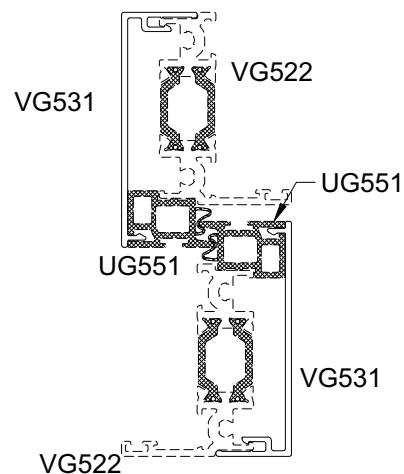
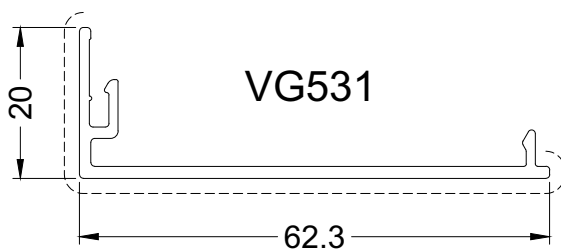
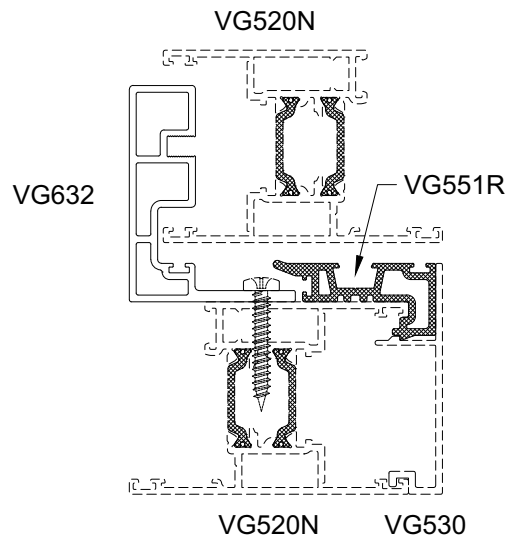
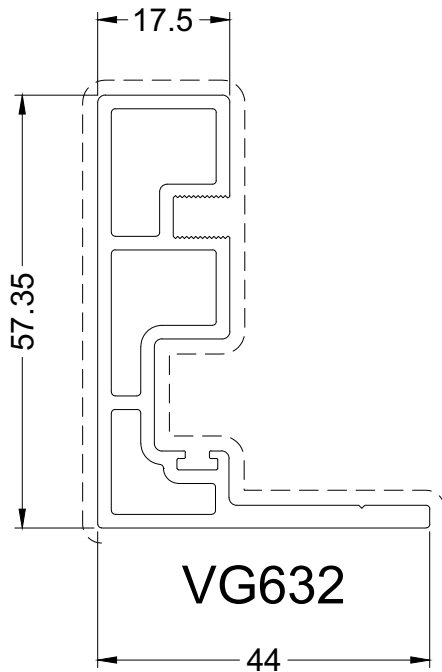


Primaire zichtbare zijde
Face visible primaire

Primär sichtbare Seite
Primary visible side

VG500

WISSELPROFIEL
 CHICANE
 WECHSELPROFIL
 MEETING SECTION



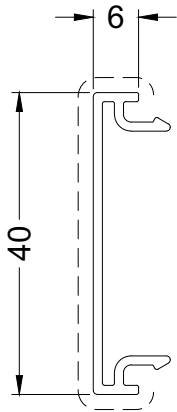
CHI_2

----- Primaire zichtbare zijde
 Face visible primaire

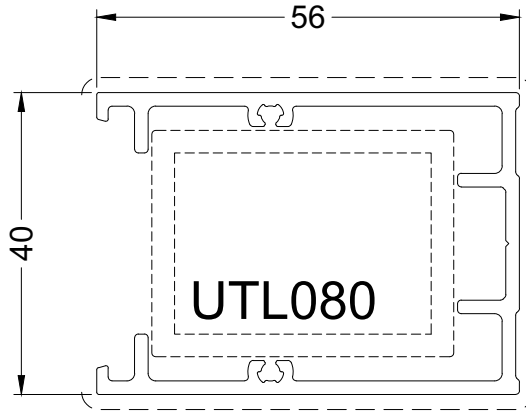
Primär sichtbare Seite
 Primary visible side

VG500

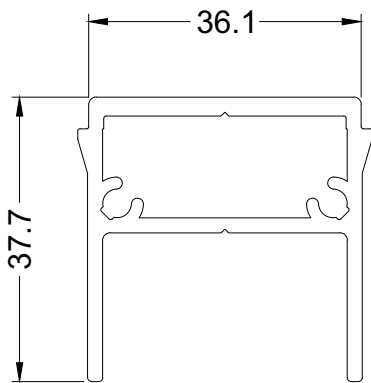
VERSTEVIGINGSPROFIEL
 PROFILE DE RENFORCEMENT
 VERSTAERKUNGSPROFIL
 REINFORCEMENT PROFILE



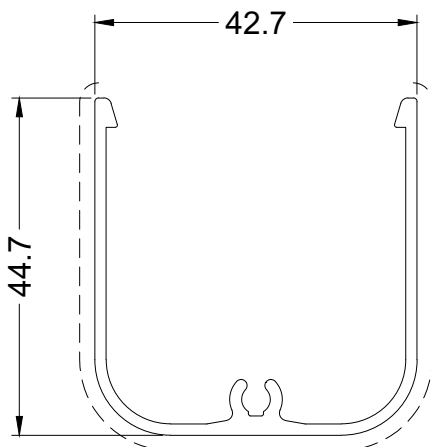
UN500



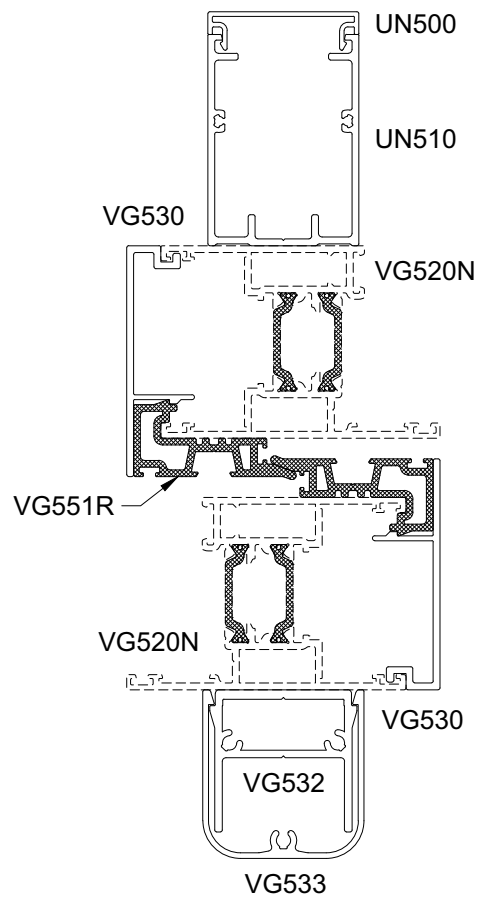
UN510



VG532



VG533



PROFIELEN - PROFILS - PROFILE - PROFILES

VERSTEVIGING_1

aliplast
 member of



CORIALIS

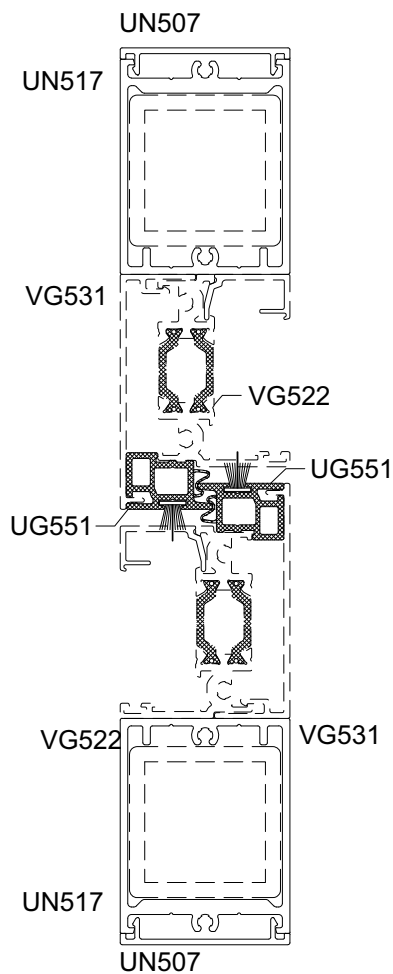
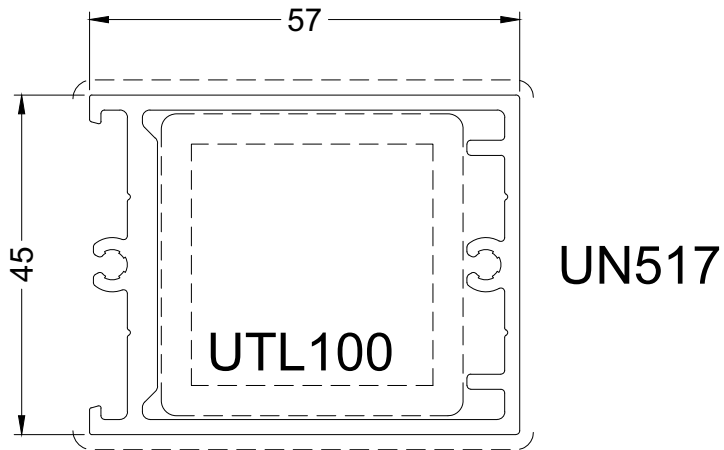
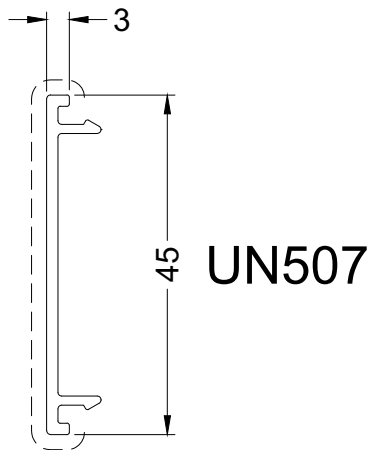


Primaire zichtbare zijde
 Face visible primaire

Primär sichtbare Seite
 Primary visible side

VG500

VERSTEVIGINGSPROFIEL
 PROFILE DE RENFORCEMENT
 VERSTAERKUNGSPROFIL
 REINFORCEMENT PROFILE

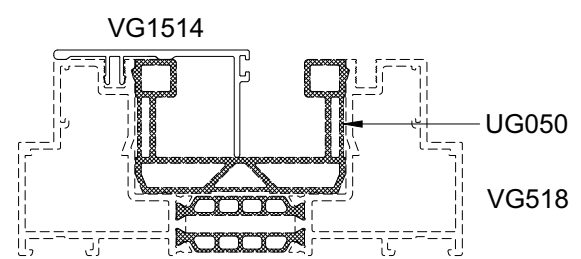
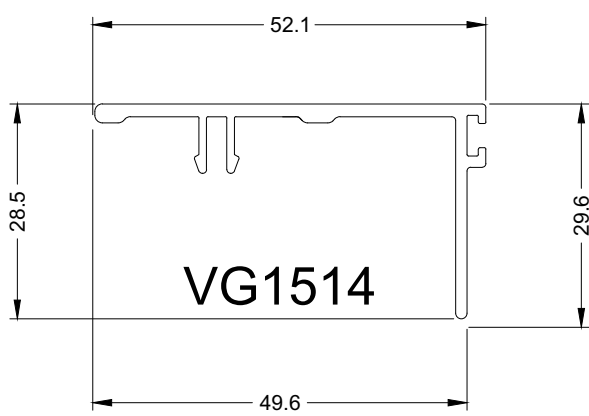
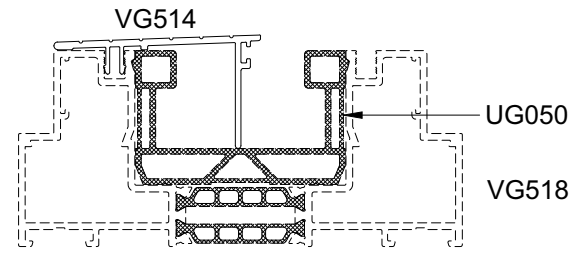
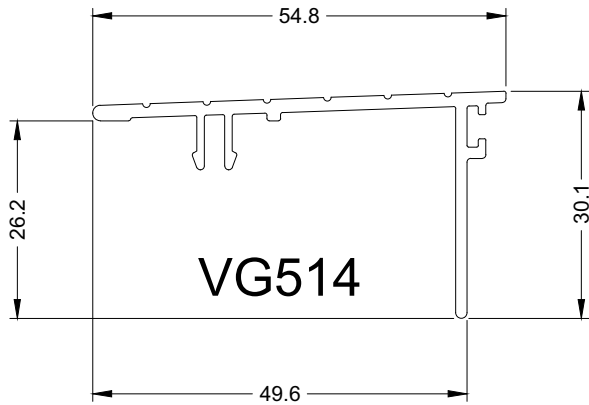


UN507-UN517

 Primaire zichtbare zijde Primär sichtbare Seite
 Face visible primaire Primary visible side

VG500

AFDEKPROFIEL BUITENKADER
 PROFILE DE RECOUVREMENT DORMANT
 ABDECKPROFIL BLENDRAHMEN
 COVERING PROFILE OUTER FRAME



PROFIELEN - PROFILS - PROFILE - PROFILES

AFDEK_1

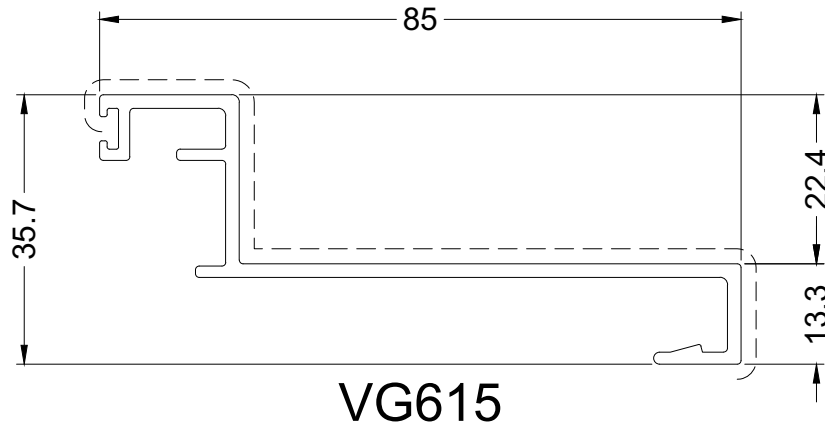


----- Primaire zichtbare zijde
 Face visible primaire

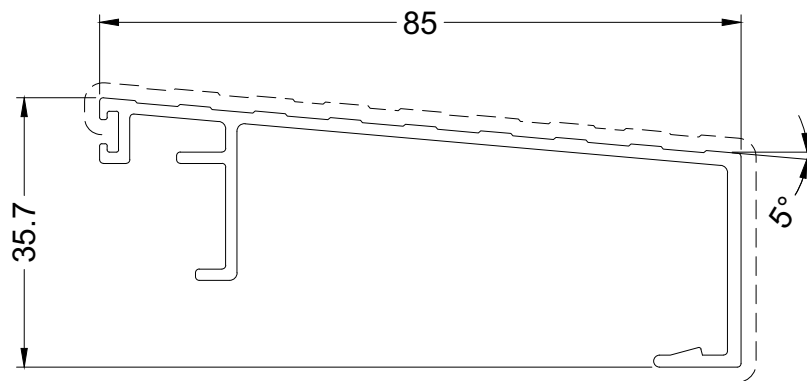
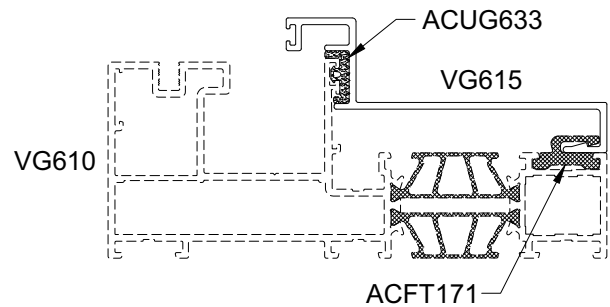
Primär sichtbare Seite
 Primary visible side

VG500

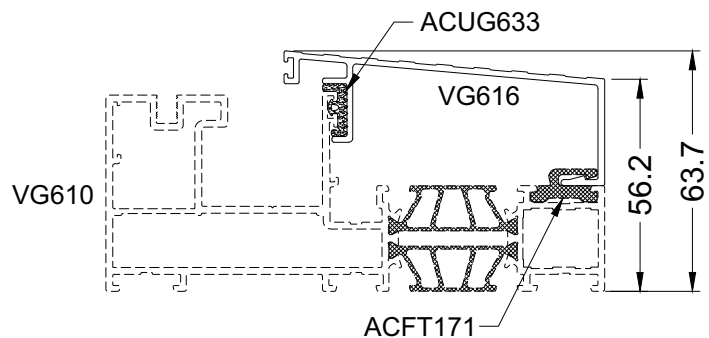
AFDEKPROFIEL BUITENKADER
 PROFILE DE RECOUVREMENT DORMANT
 ABDECKPROFIL BLENDRAHMEN
 COVERING PROFILE OUTER FRAME



VG615



VG616



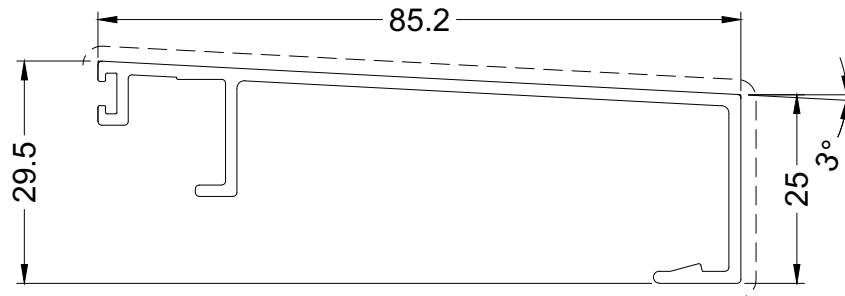
AFDEK_2

----- Primaire zichtbare zijde
 Face visible primaire

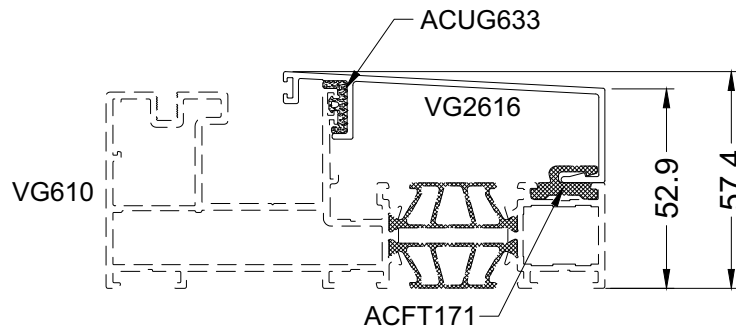
----- Primär sichtbare Seite
 Primary visible side

VG500

AFDEKPROFIEL BUITENKADER
 PROFILE DE RECouvreMENT DORMANT
 ABDECKPROFIL BLENDRAHMEN
 COVERING PROFILE OUTER FRAME



VG2616



PROFIELEN - PROFILS-PROFILE - PROFILES

AFDEK_3

aliplast
 member of

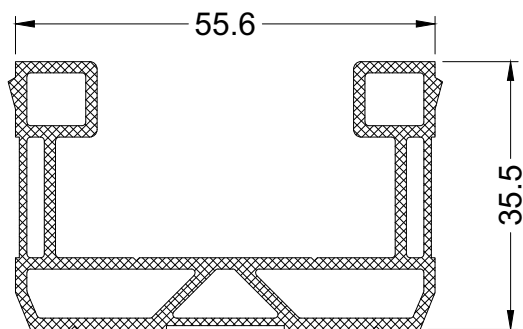


Primaire zichtbare zijde
 Face visible primaire

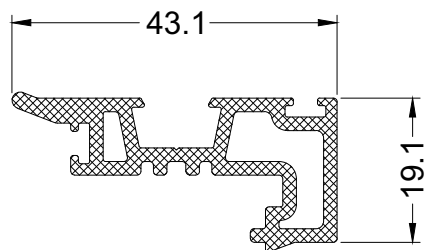
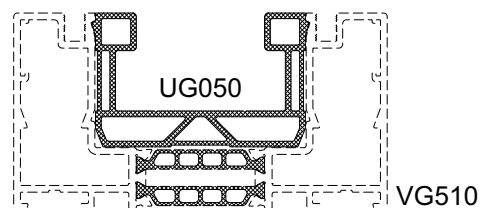
Primär sichtbare Seite
 Primary visible side

VG500

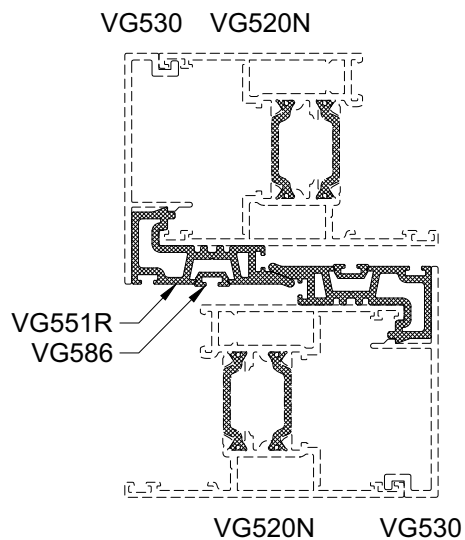
KUNSTSTOF PROFIEL
 KUNSTSTOFFPROFIL
 PROFILE SYNTHETIQUE
 SYNTHETIC PROFILE



UG050



VG551R



VG586

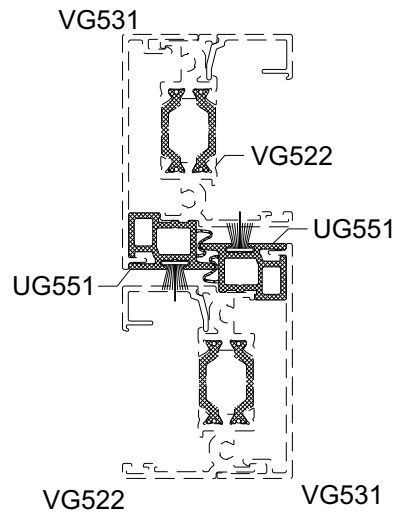
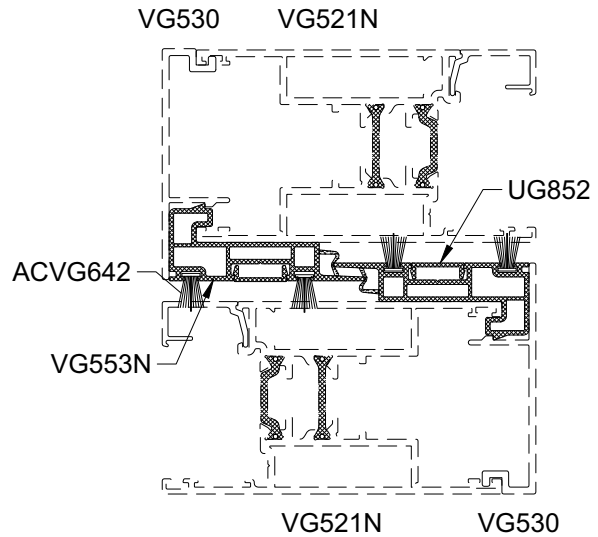
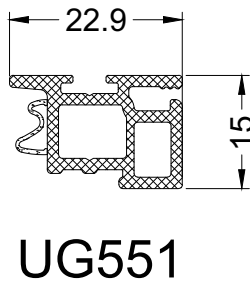
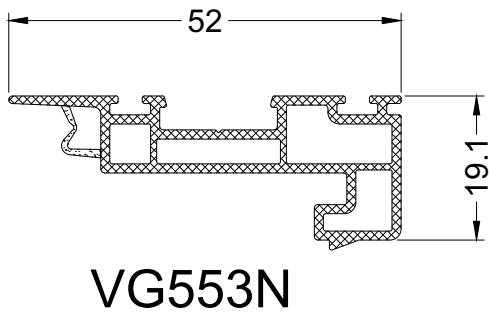
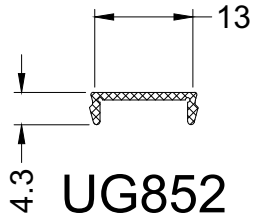
PVC_1

----- Primaire zichtbare zijde
 Face visible primaire

----- Primär sichtbare Seite
 Primary visible side

VG500

KUNSTSTOF PROFIEL
 KUNSTSTOFFPROFIL
 PROFILE SYNTHETIQUE
 SYNTHETIC PROFILE



PROFIELEN - PROFILS - PROFILE - PROFILES

PVC_2

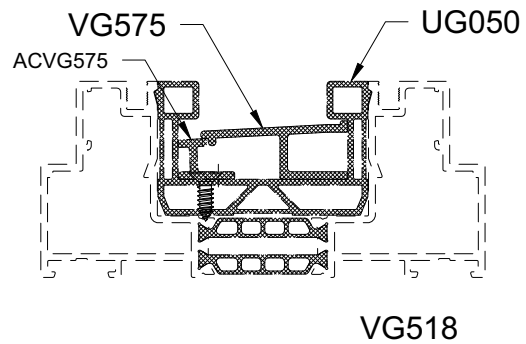
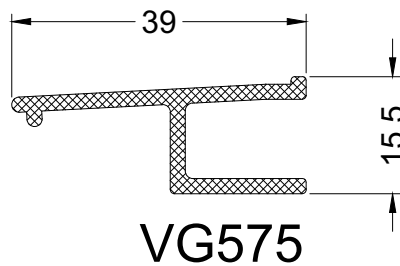
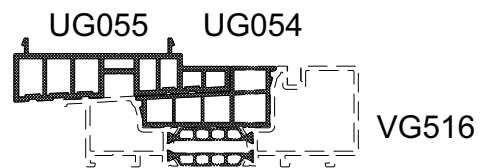
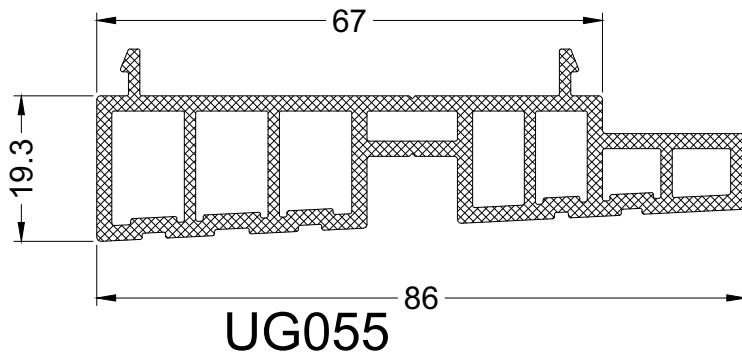
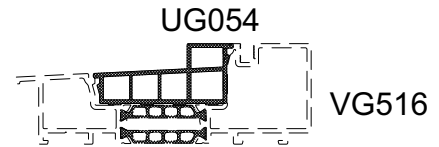
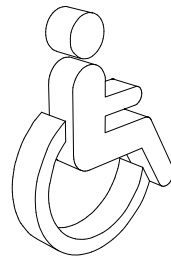
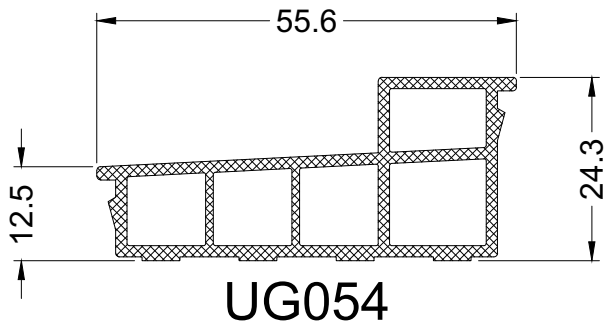


Primaire zichtbare zijde
 Face visible primaire

Primär sichtbare Seite
 Primary visible side

VG500

KUNSTSTOF PROFIEL
 KUNSTSTOFFPROFIL
 PROFILE SYNTHETIQUE
 SYNTHETIC PROFILE



UG054 - VG500

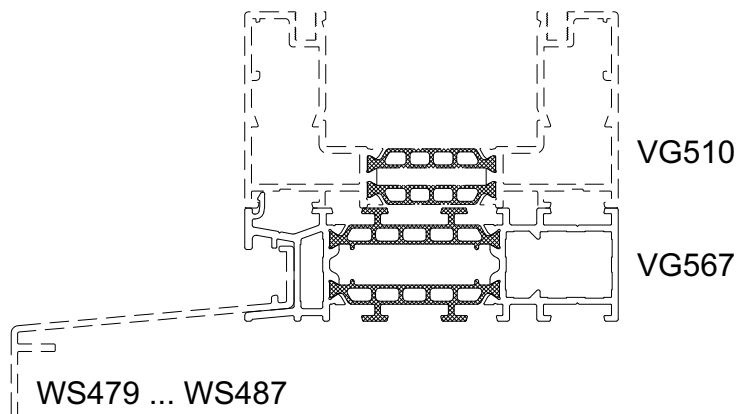
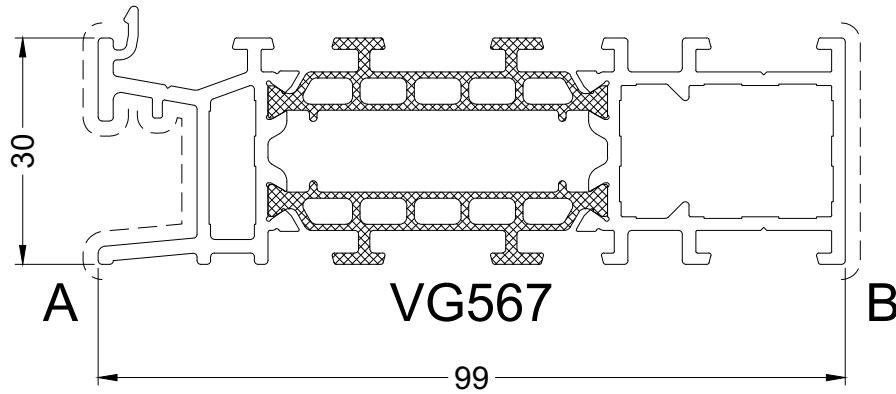


Primaire zichtbare zijde
 Face visible primaire

Primär sichtbare Seite
 Primary visible side

VG500

ONDERDORPEL
SEUIL
ANSCHLUSSPROFIL
SILL MEMBER



PROFIELEN - PROFILS - PROFILE - PROFILES

ONDER_1A

aliplast
member of

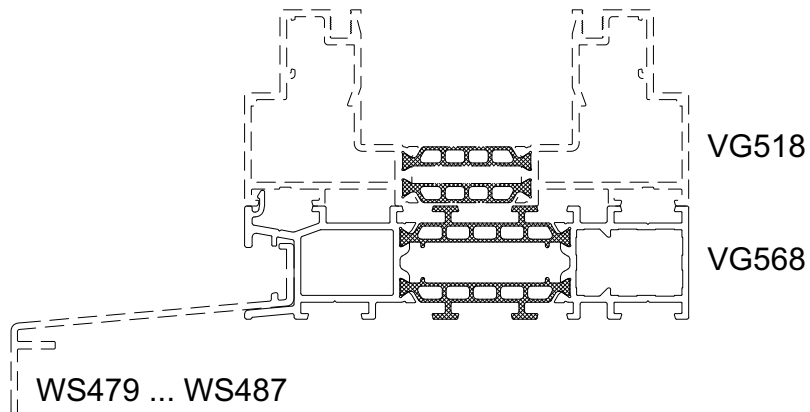
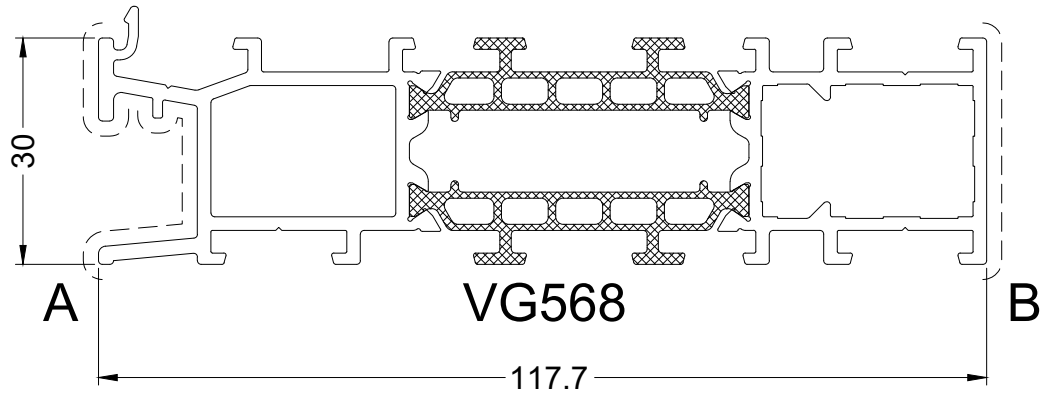


Primaire zichtbare zijde
Face visible primaire

Primär sichtbare Seite
Primary visible side

VG500

ONDERDORPEL
 SEUIL
 ANSCHLUSSPROFIL
 SILL MEMBER



ONDER_1B

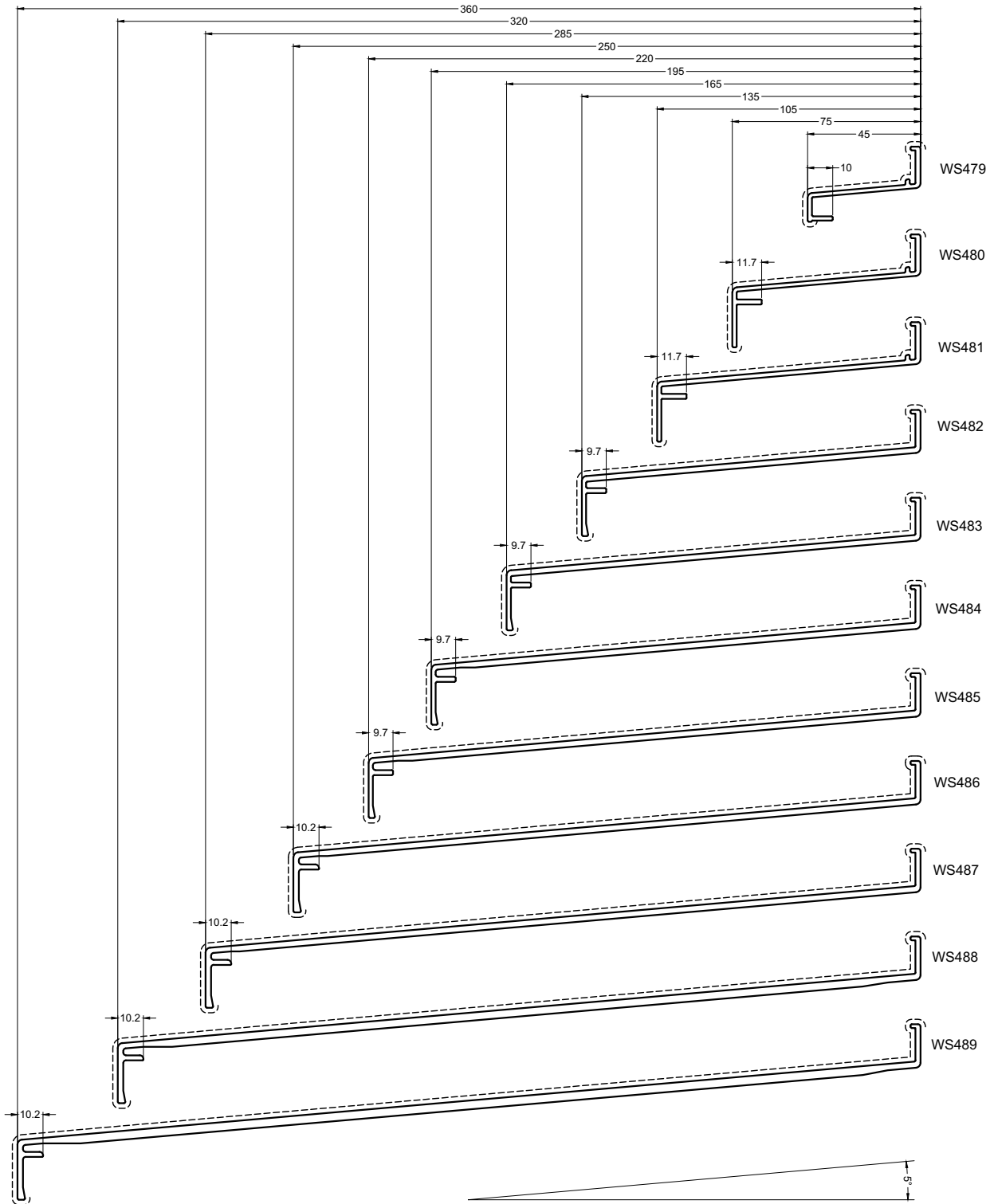
60

----- Primaire zichtbare zijde Primär sichtbare Seite
 Face visible primaire Primary visible side

VG500

VENSTERBANK
 BAVETTE
 AUSSENFENSTERBANK
 WINDOW-SILL

PROFIELEN - PROFILS - PROFILE - PROFILES



VENSTERBANK001

aliplast
 member of



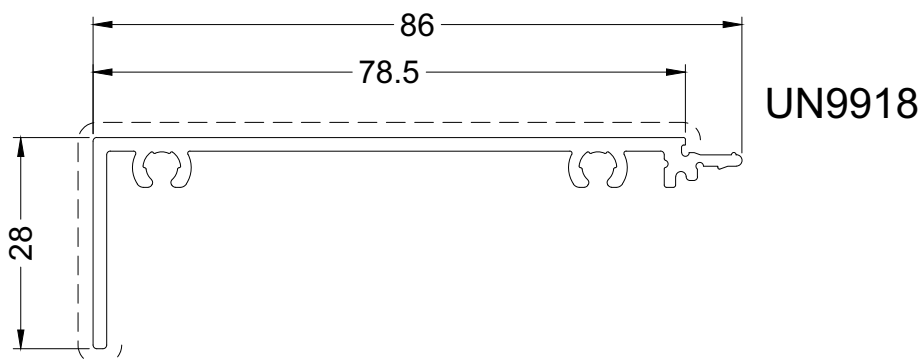
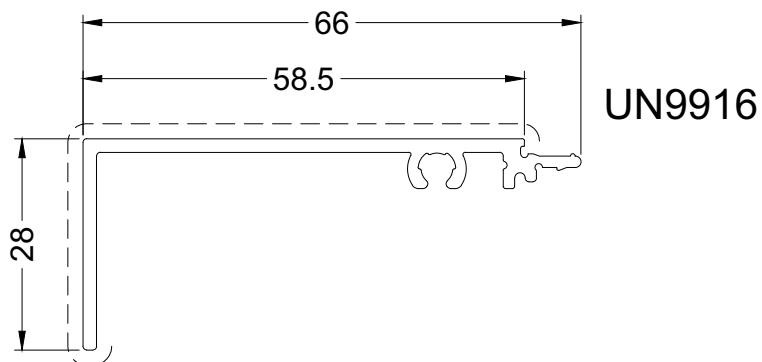
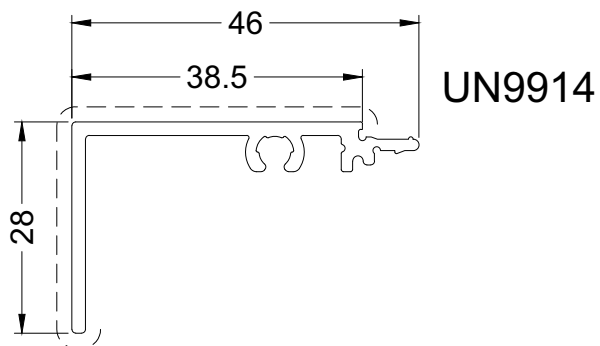
Primaire zichtbare zijde
 Face visible primaire

Primär sichtbare Seite
 Primary visible side



VG500

AFWERKIGNSPROFIELEN
PROFILE DE FINITION
AUSFUEHRUNGSPROFIL
FINISHING PROFILE



UN9914

62

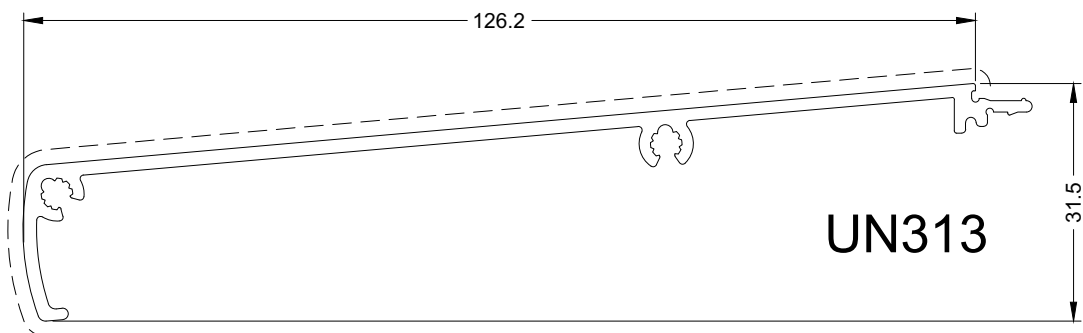
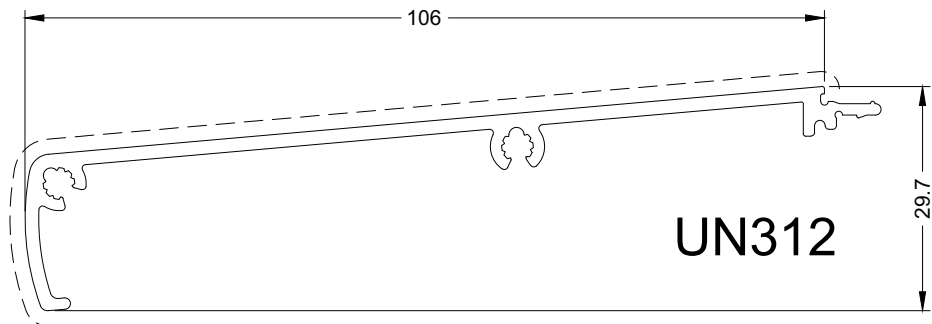
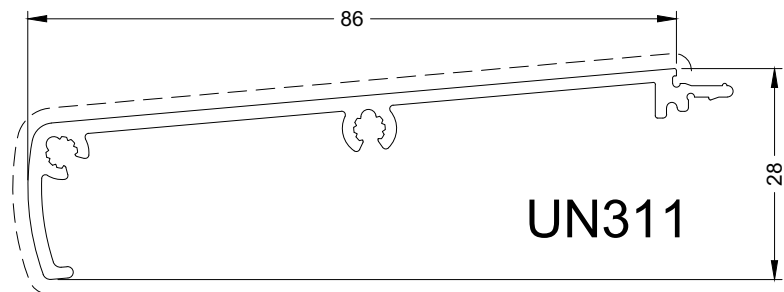
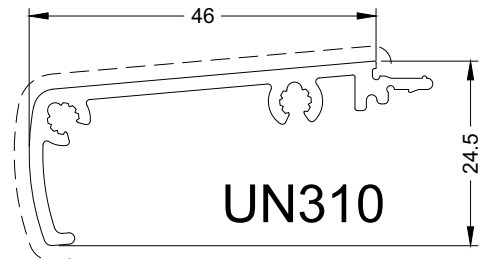


Primaire zichtbare zijde
Face visible primaire

Primär sichtbare Seite
Primary visible side

VG500

AFWERKIGNSPROFIELEN
PROFILE DE FINITION
AUSFUEHRUNGSPROFIL
FINISHING PROFILE



PROFIELEN - PROFILS-PROFILE - PROFILES

blad16

aliplast
member of

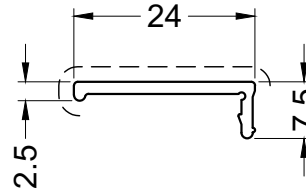


Primaire zichtbare zijde
Face visible primaire

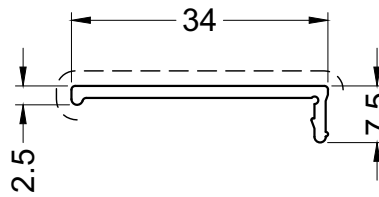
Primär sichtbare Seite
Primary visible side

VG500

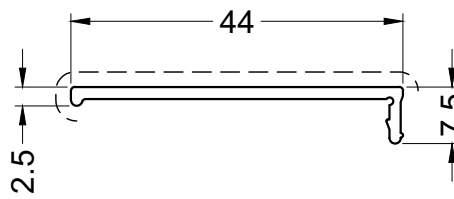
AFWERKIGNSPROFIELEN
 PROFILE DE FINITION
 AUSFUEHRUNGSPROFIL
 FINISHING PROFILE



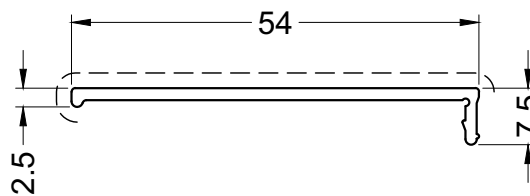
UN330



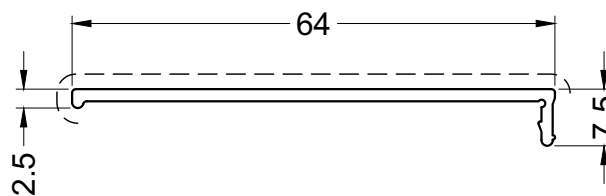
UN331



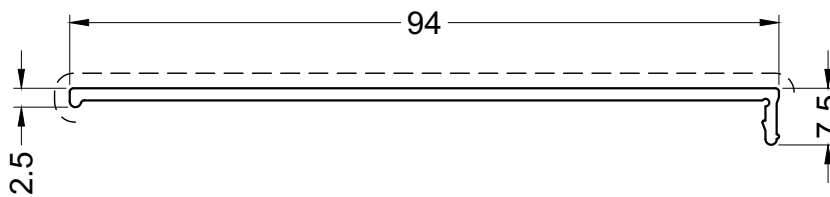
UN332



UN333



UN334



UN335

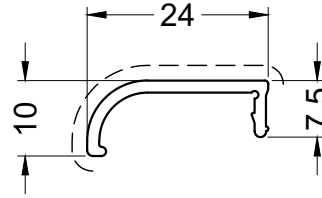
AFWERKIGNSPROFIELEN005(UN)



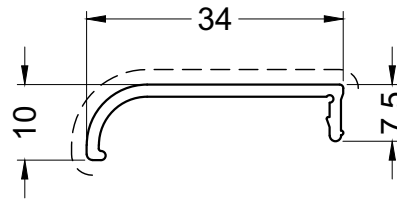
Primaire zichtbare zijde
 Face visible primaire

Primär sichtbare Seite
 Primary visible side

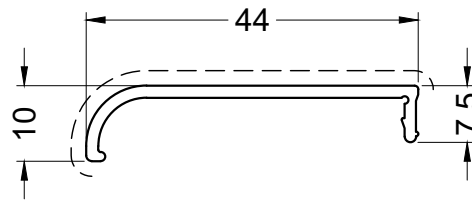
AFWERKINGSPROFIELEN
 PROFILE DE FINITION
 AUSFUEHRUNGSPROFIL
 FINISHING PROFILE



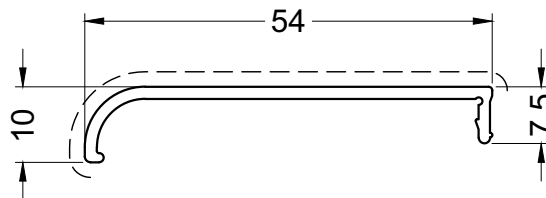
UN340



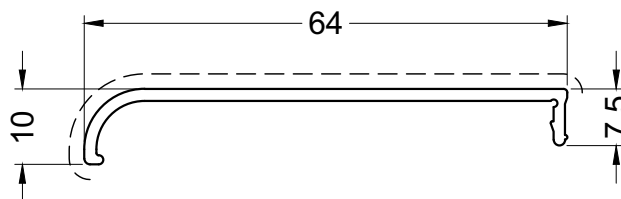
UN341



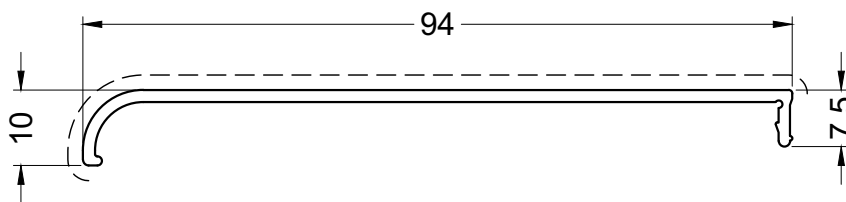
UN342



UN343



UN344



UN345

AFWERKINGSPROFIELEN004(UN)

aliplast
 member of

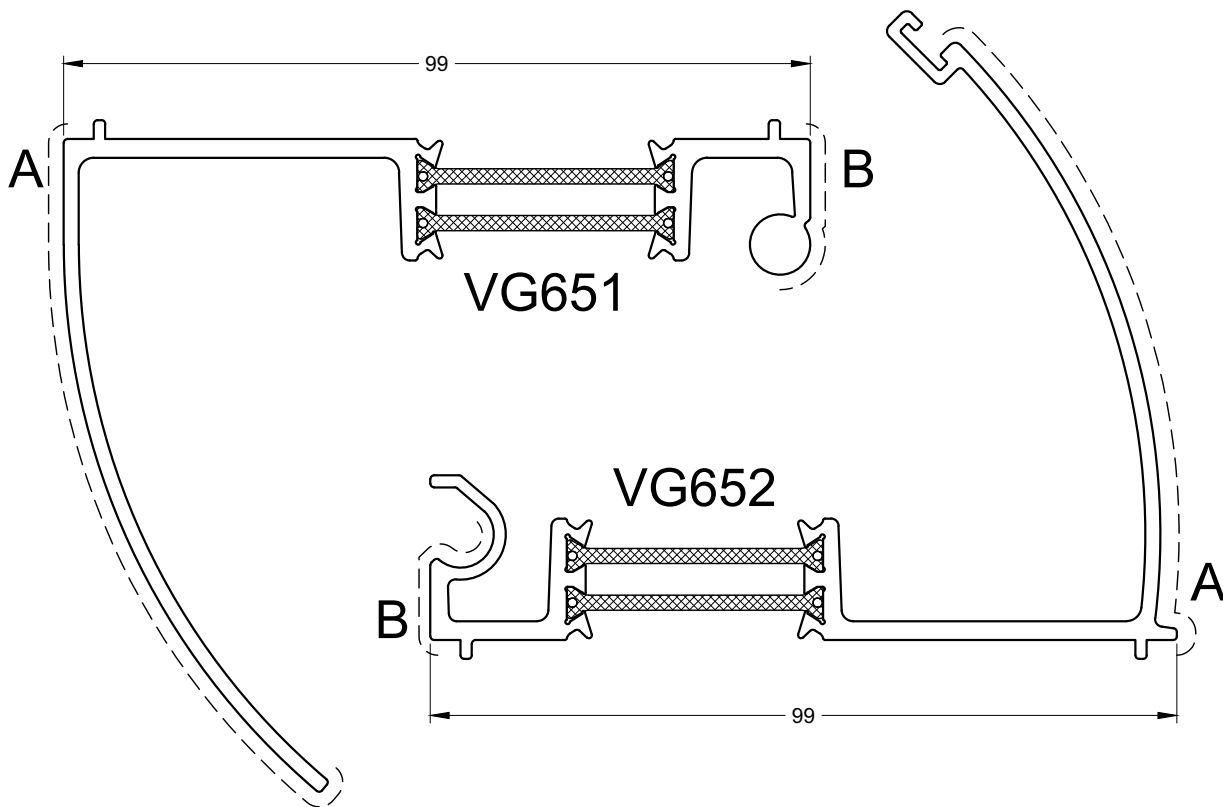


Primaire zichtbare zijde
 Face visible primaire

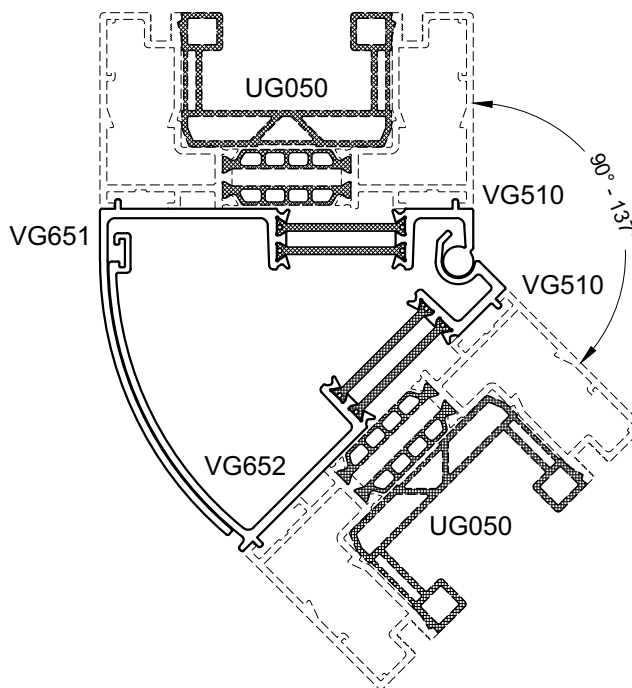
Primär sichtbare Seite
 Primary visible side

VG500

KOPPELPROFIEL
 PROFILE DE RACCORDEMENT
 KOPPLUNGSPROFIL
 CONNECTION PROFILE



!!! BICOLOR

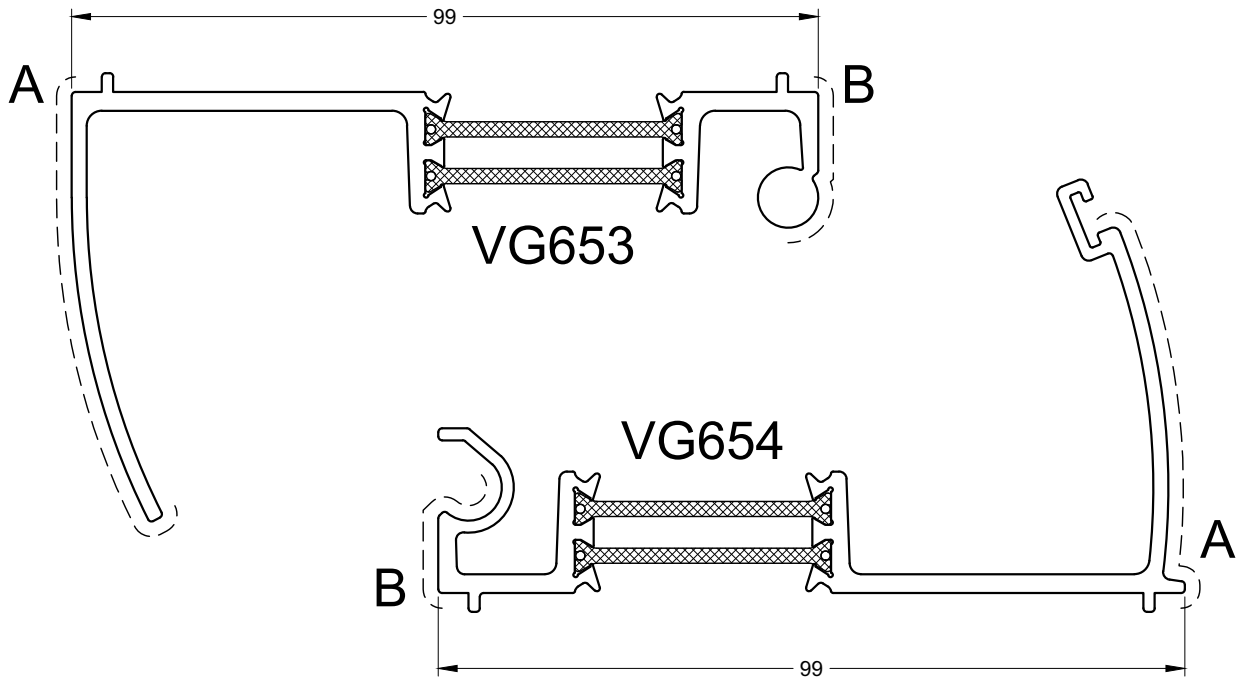


VAR_1

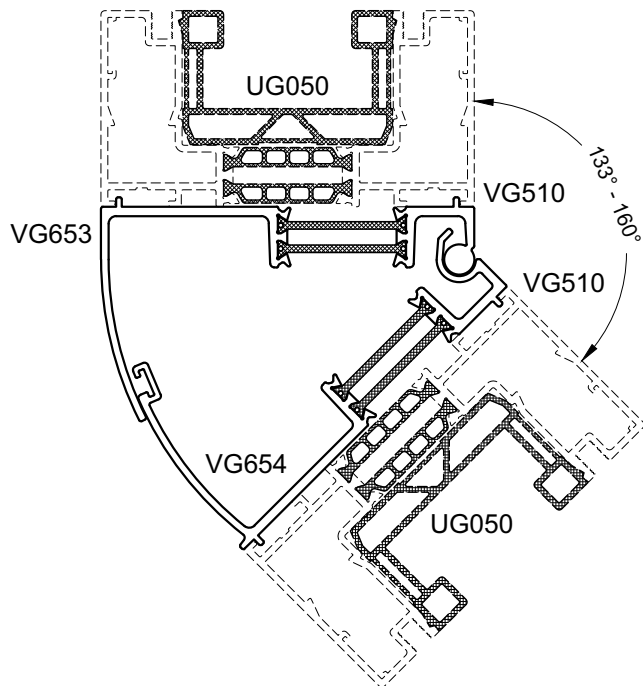
----- Primaire zichtbare zijde / Face visible primaire / Primär sichtbare Seite / Primary visible side

VG500

KOPPELPROFIEL
 PROFILE DE RACCORDEMENT
 KOPPLUNGSPROFIL
 CONNECTION PROFILE



BICOLOR



PROFIELEN - PROFILS-PROFILE - PROFILES

VAR_2

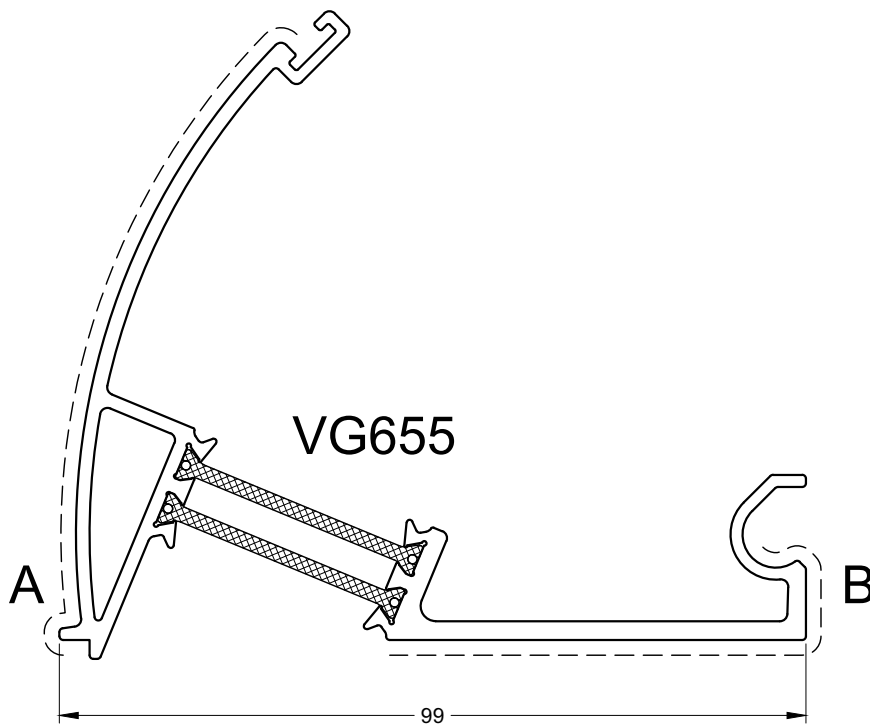


Primaire zichtbare zijde
 Face visible primaire

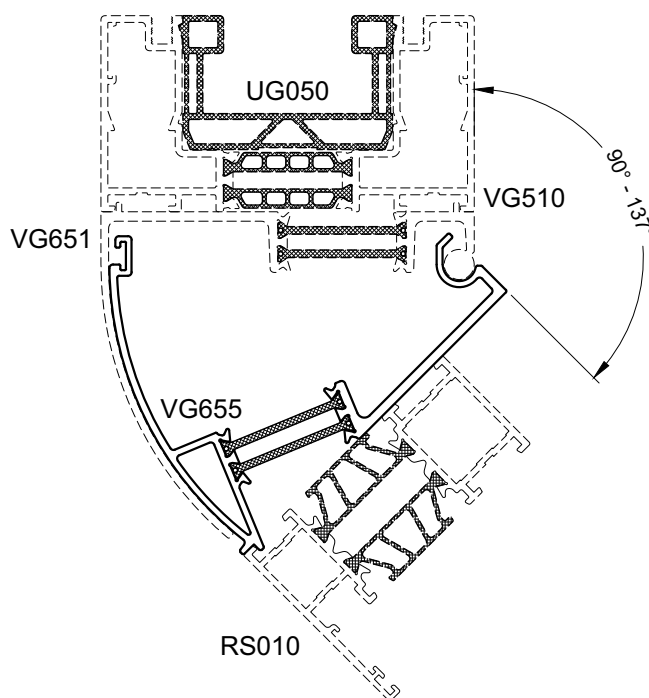
Primär sichtbare Seite
 Primary visible side

VG500

KOPPELPROFIEL
 PROFILE DE RACCORDEMENT
 KOPPLUNGSPROFIL
 CONNECTION PROFILE



/// BICOLOR



VAR_3

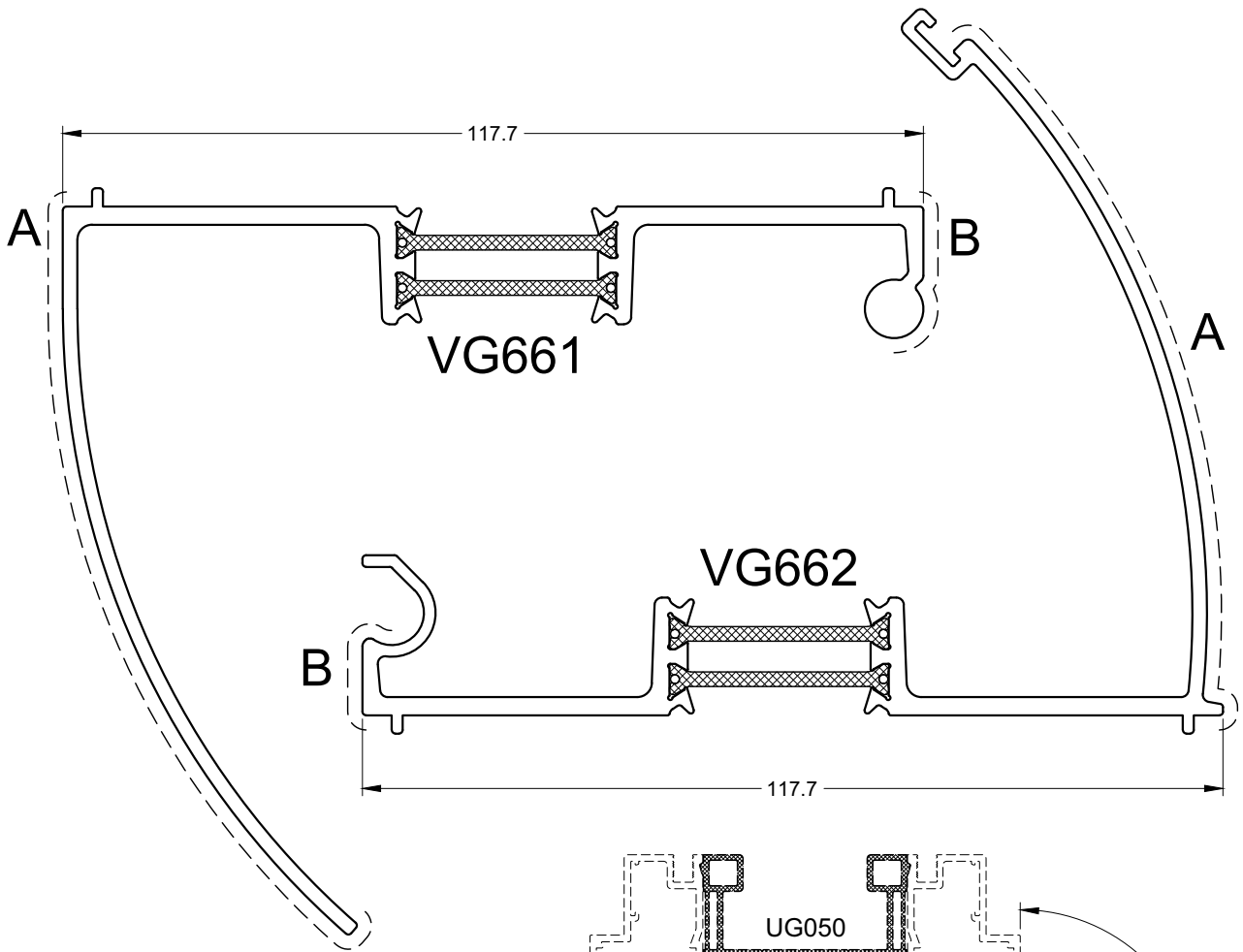
----- Primaire zichtbare zijde
 Face visible primaire

----- Primär sichtbare Seite
 Primary visible side

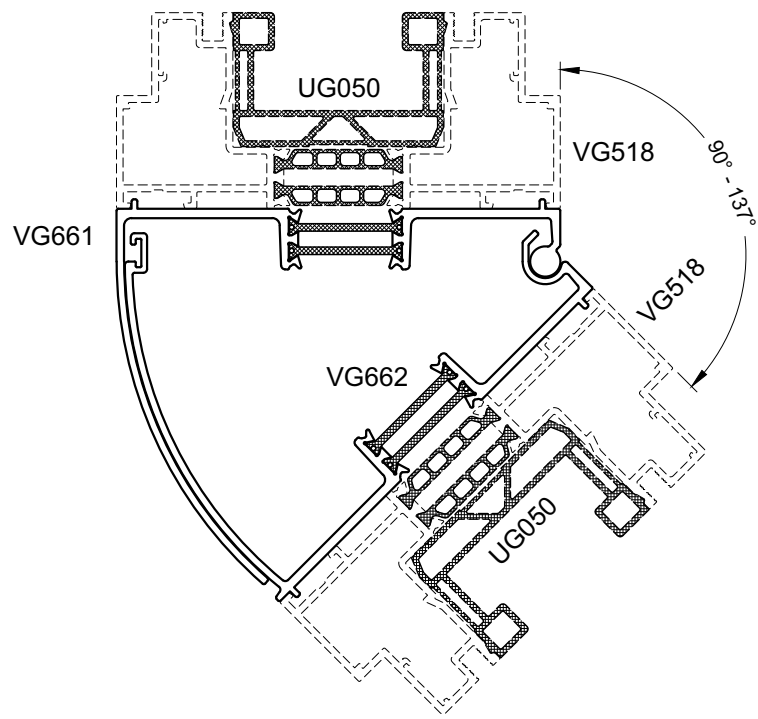
VG500

KOPPELPROFIEL
 PROFILE DE RACCORDEMENT
 KOPPLUNGSPROFIL
 CONNECTION PROFILE

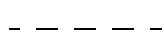
PROFILEN - PROFILS-PROFILE - PROFILES



BICOLOR



VAR_4

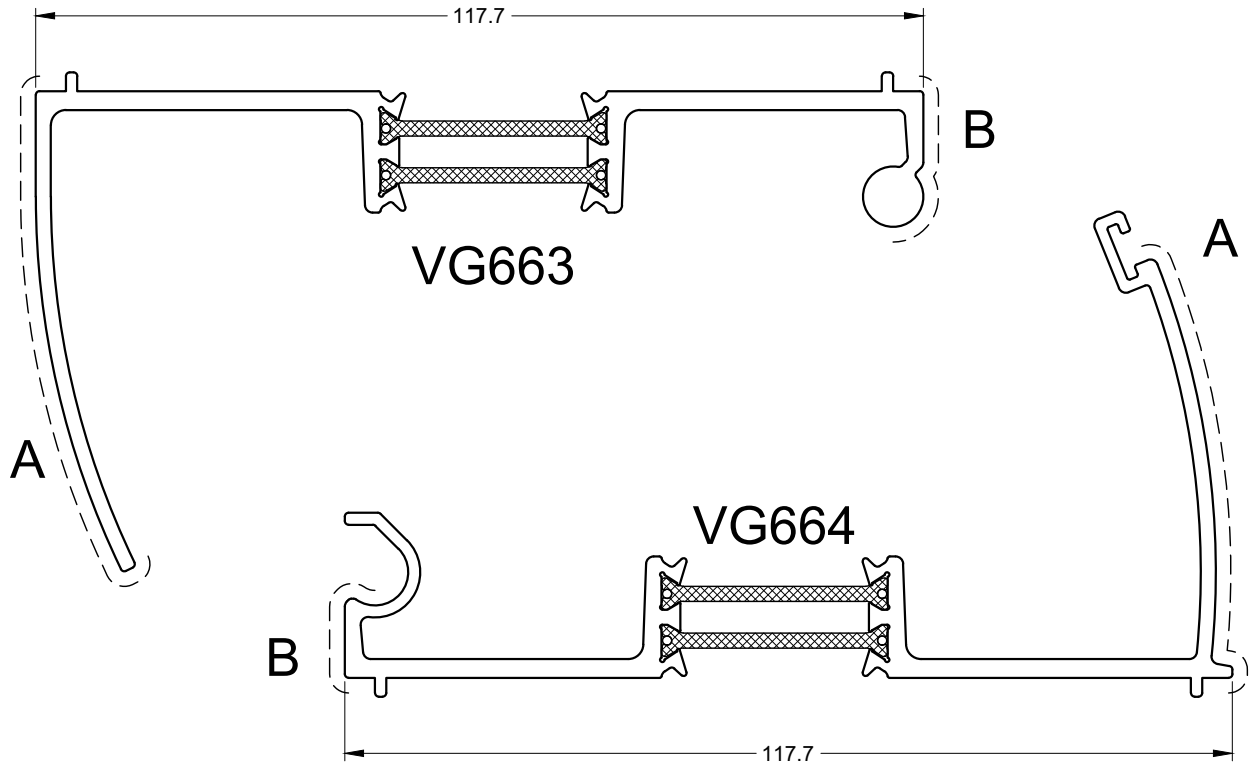


Primaire zichtbare zijde
 Face visible primaire

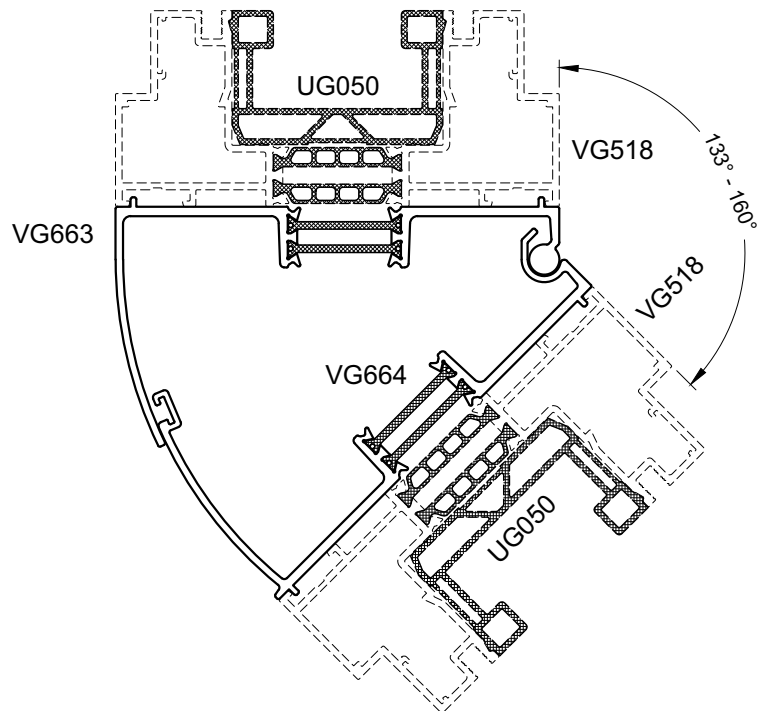
Primär sichtbare Seite
 Primary visible side

VG500

KOPPELPROFIEL
 PROFILE DE RACCORDEMENT
 KOPPLUNGSPROFIL
 CONNECTION PROFILE



!!! BICOLOR



VAR_5

70

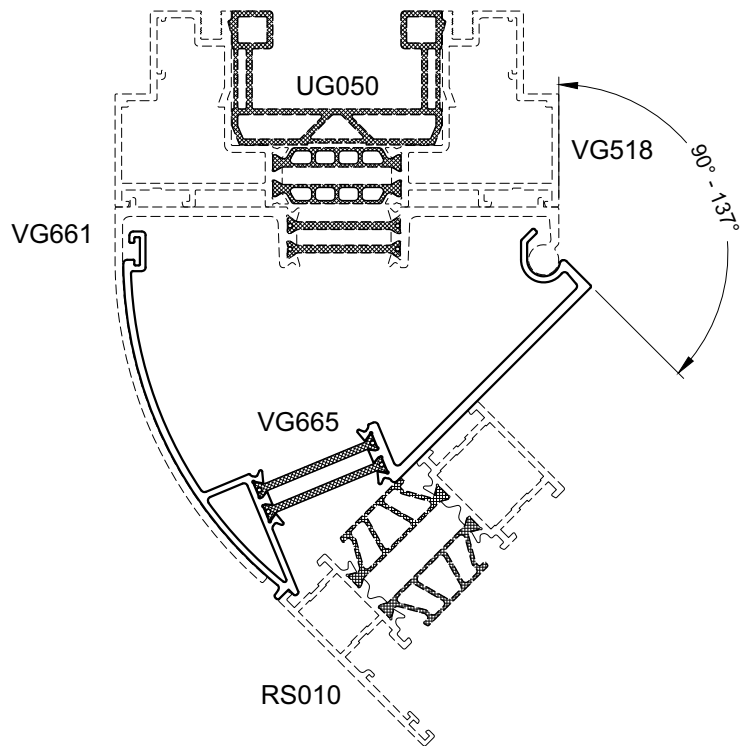
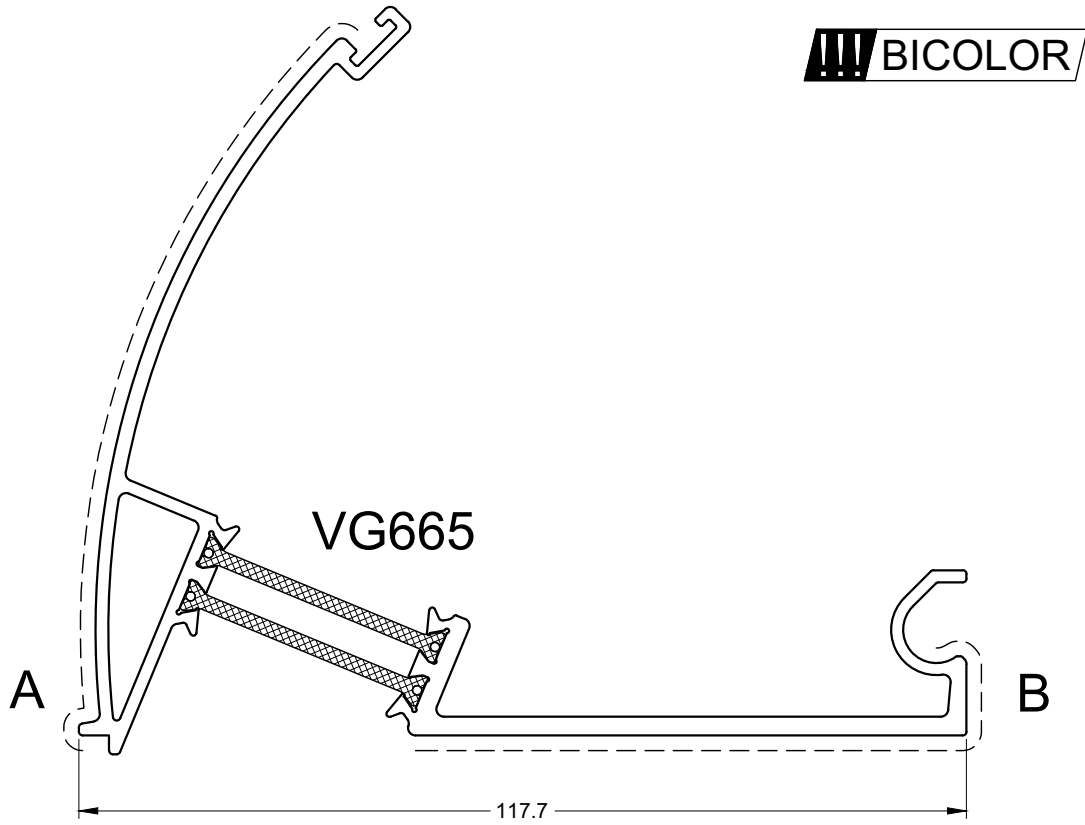


Primaire zichtbare zijde
 Face visible primaire

Primär sichtbare Seite
 Primary visible side

VG500

KOPPELPROFIEL
 PROFILE DE RACCORDEMENT
 KOPPLUNGSPROFIL
 CONNECTION PROFILE



PROFIELEN - PROFILS-PROFILE - PROFILES

VAR_6



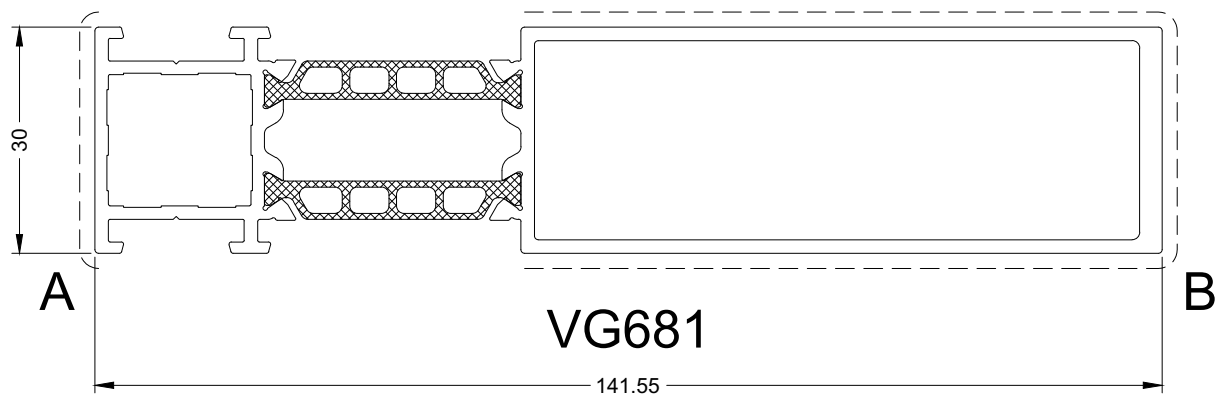
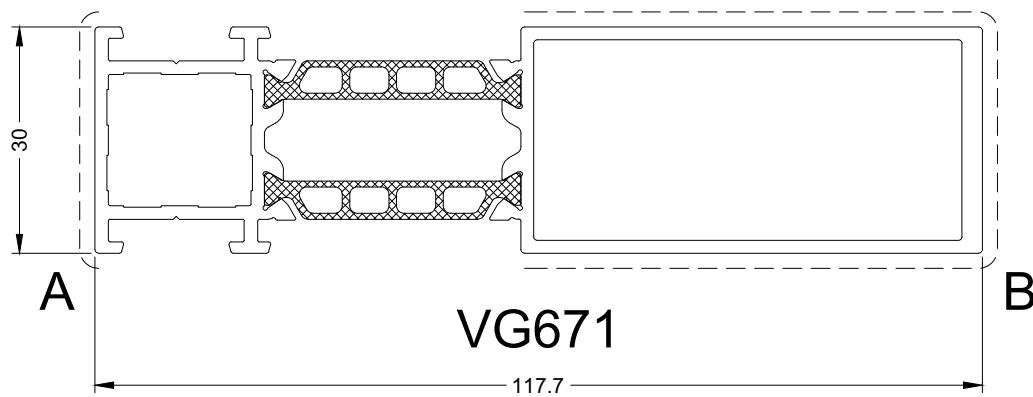
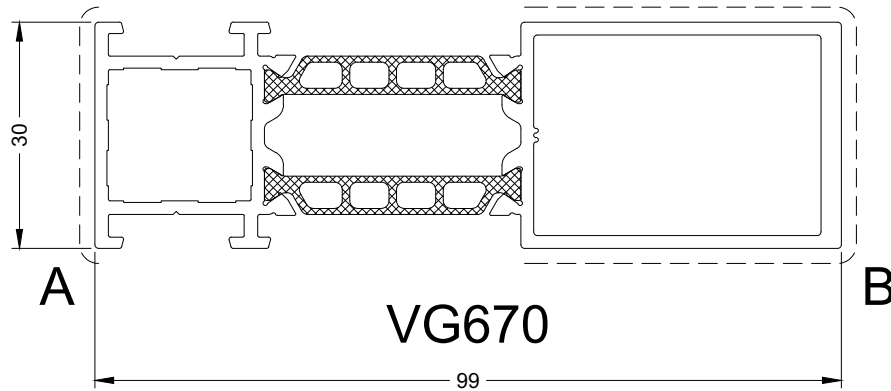
----- Primaire zichtbare zijde
 Face visible primaire

----- Primär sichtbare Seite
 Primary visible side

VG500

KOPPELPROFIEL
PROFILE DE RACCORDEMENT
KOPPLUNGSPROFIL
CONNECTION PROFILE

LET OP BIJ BI-COLOR : KLEURZIJDE !
ATTENTION AVEC BI-COLOR : CÔTÉ DE COULEUR !
AUFMERKSAMKEIT MIT BI-COLOR : FARBE SEITE !
ATTENTION WITH DUAL COLOR : COLOR SIDE !



KOP_1

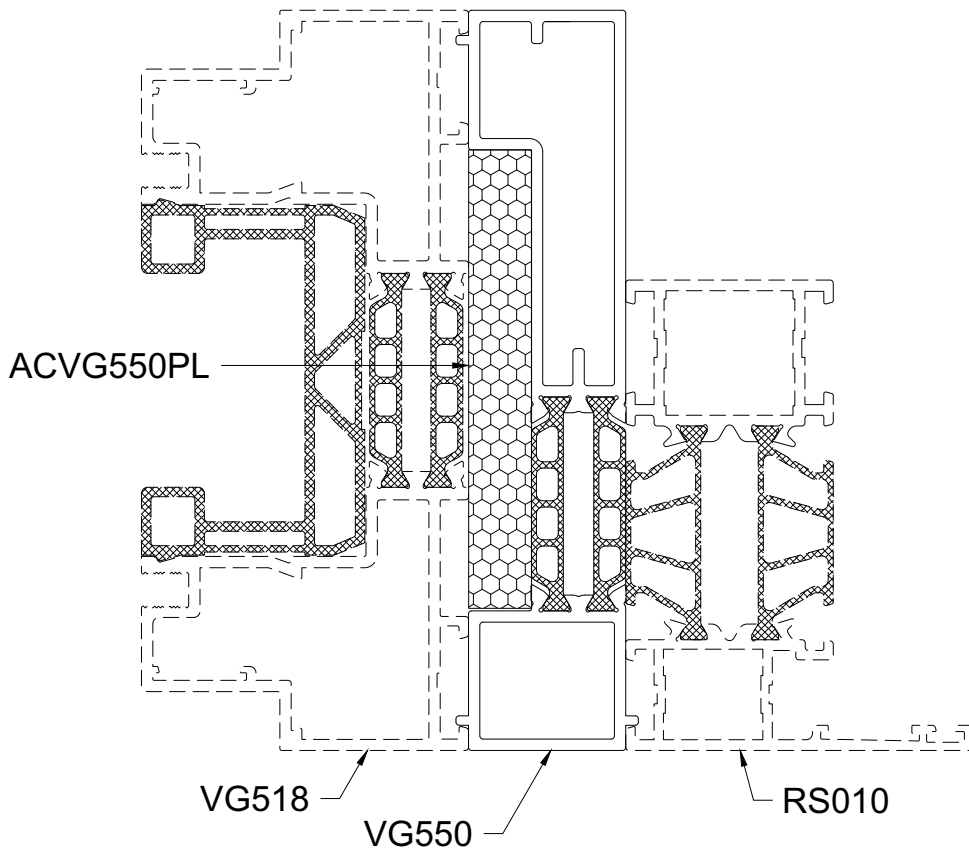
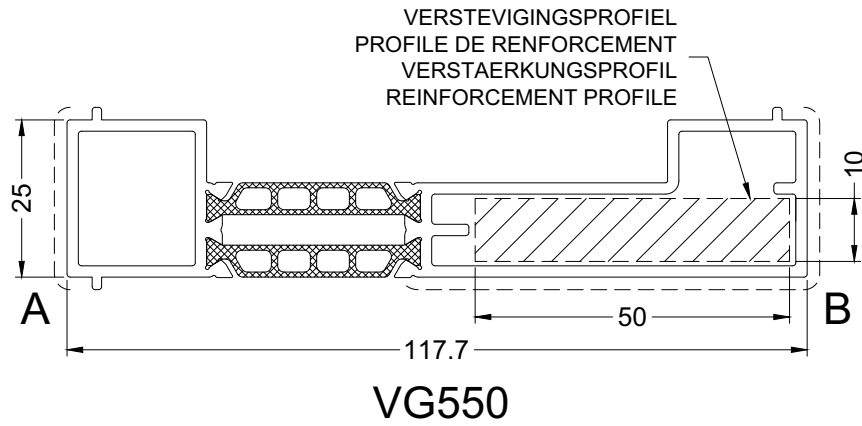


Primaire zichtbare zijde
Face visible primaire

Primär sichtbare Seite
Primary visible side

VG500

KOPPELPROFIEL
 PROFILE DE RACCORDEMENT
 KOPPLUNGSPROFIL
 CONNECTION PROFILE



LET OP BIJ BI-COLOR : KLEURZIJDE !
 ATTENTION AVEC BI-COLOR : CÔTÉ DE COULEUR !
 AUFMERKSAMKEIT MIT BI-COLOR : FARBE SEITE !
 ATTENTION WITH DUAL COLOR : COLOR SIDE !



 Primaire zichtbare zijde Primär sichtbare Seite
 Face visible primaire Primary visible side

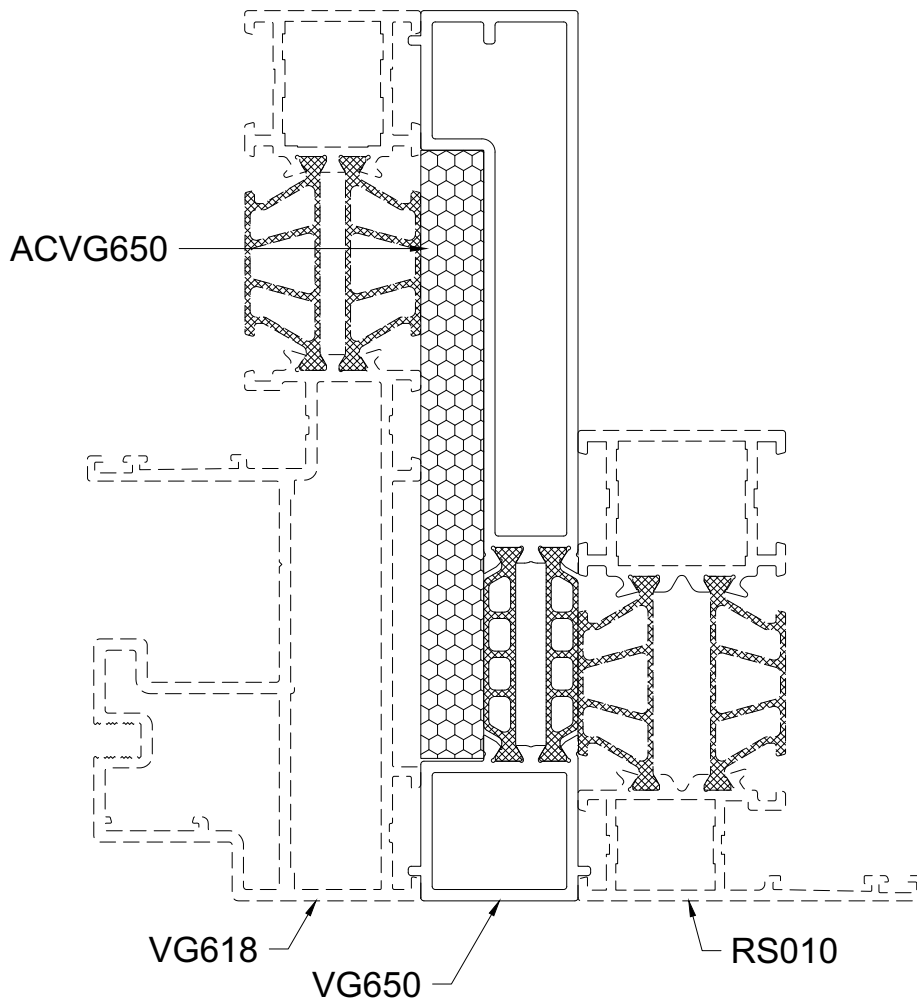
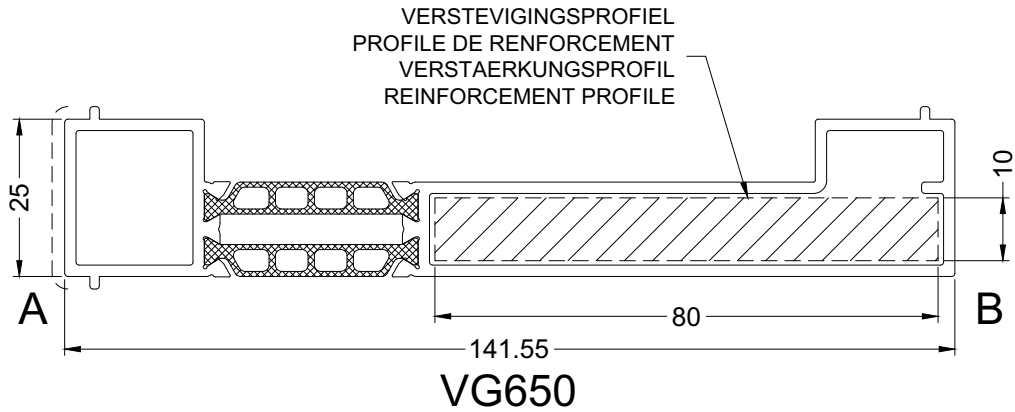
VG550



PROFIELEN - PROFILS - PROFILE - PROFILES

VG500

KOPPELPROFIEL
 PROFILE DE RACCORDEMENT
 KOPPLUNGSPROFIL
 CONNECTION PROFILE



LET OP BIJ BI-COLOR : KLEURZIJDE !
 ATTENTION AVEC BI-COLOR : CÔTÉ DE COULEUR !
 AUFMERKSAMKEIT MIT BI-COLOR : FARBE SEITE !
 ATTENTION WITH DUAL COLOR : COLOR SIDE !

VG650

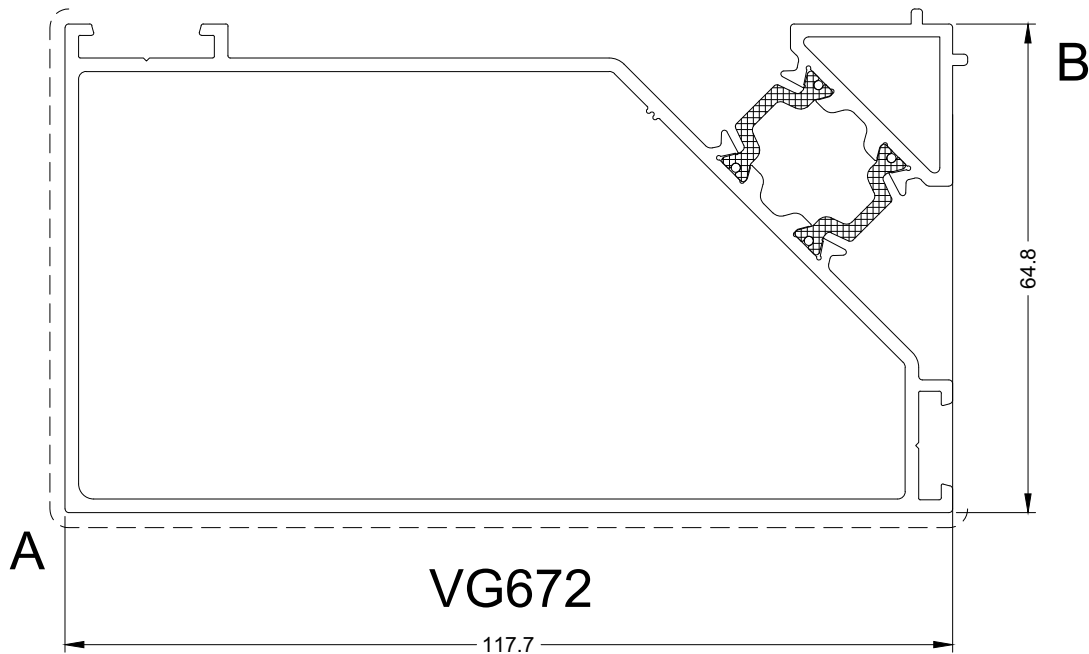
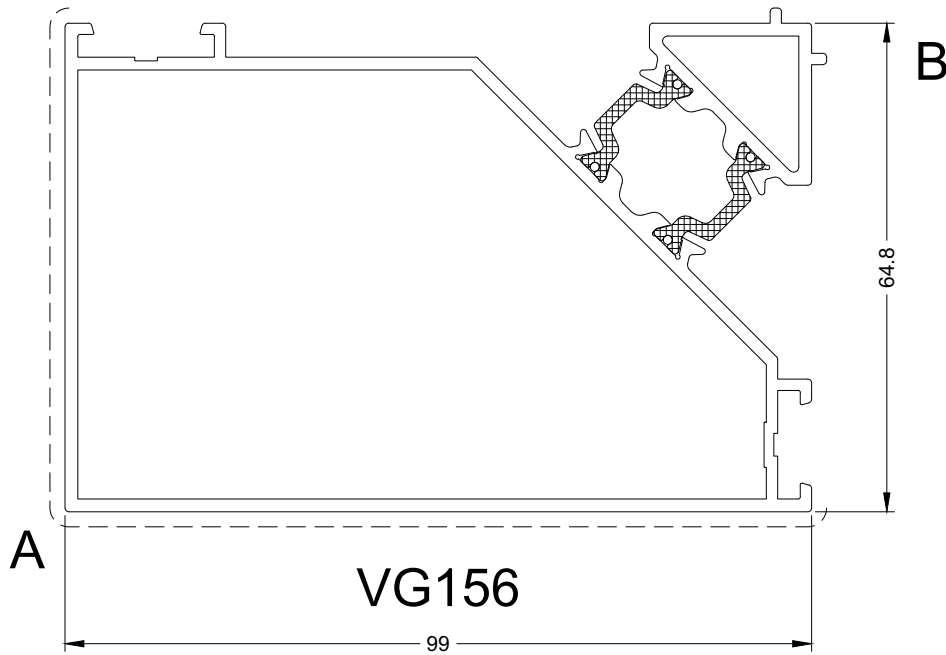


----- Primaire zichtbare zijde Primär sichtbare Seite
 Face visible primaire Primary visible side

VG500

KOPPELPROFIEL
 PROFILE DE RACCORDEMENT
 KOPPLUNGSPROFIL
 CONNECTION PROFILE

LET OP BIJ BI-COLOR : KLEURZIJDE !
 ATTENTION AVEC BI-COLOR : CÔTÉ DE COULEUR !
 AUFMERKSAMKEIT MIT BI-COLOR : FARBE SEITE !
 ATTENTION WITH DUAL COLOR : COLOR SIDE !



KOP_2

aliplast
 member of



Primaire zichtbare zijde
 Face visible primaire

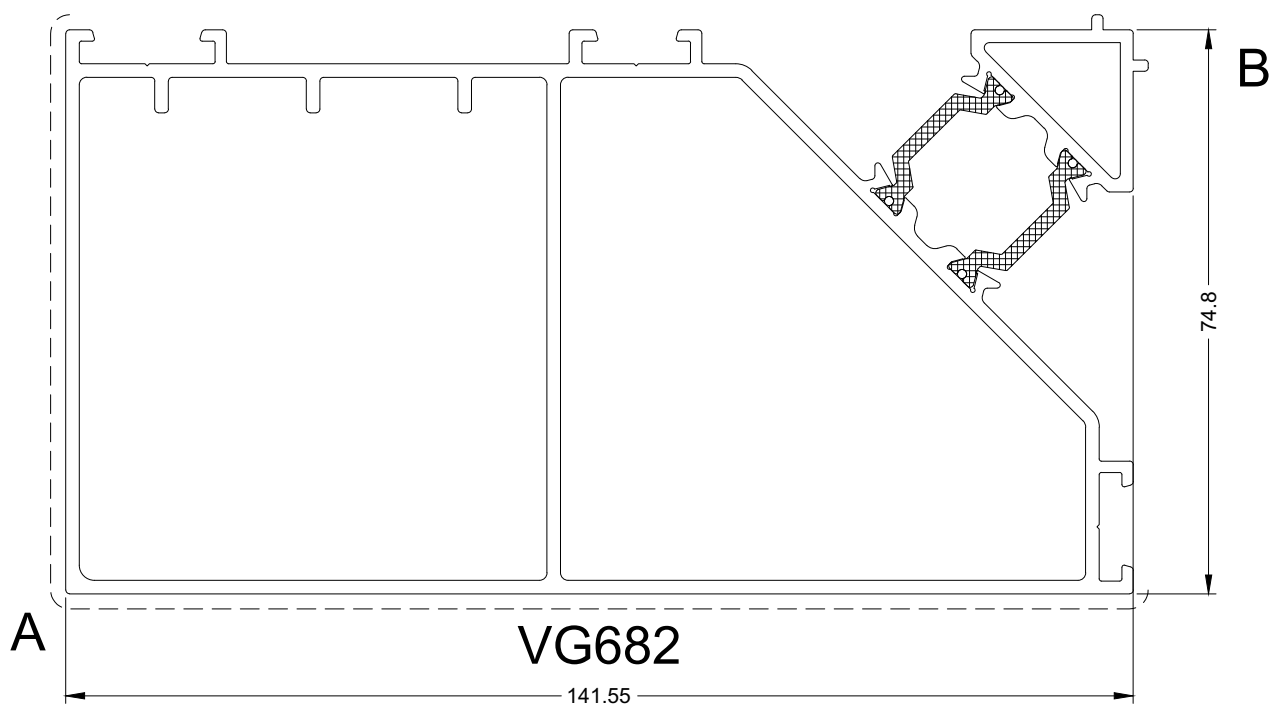
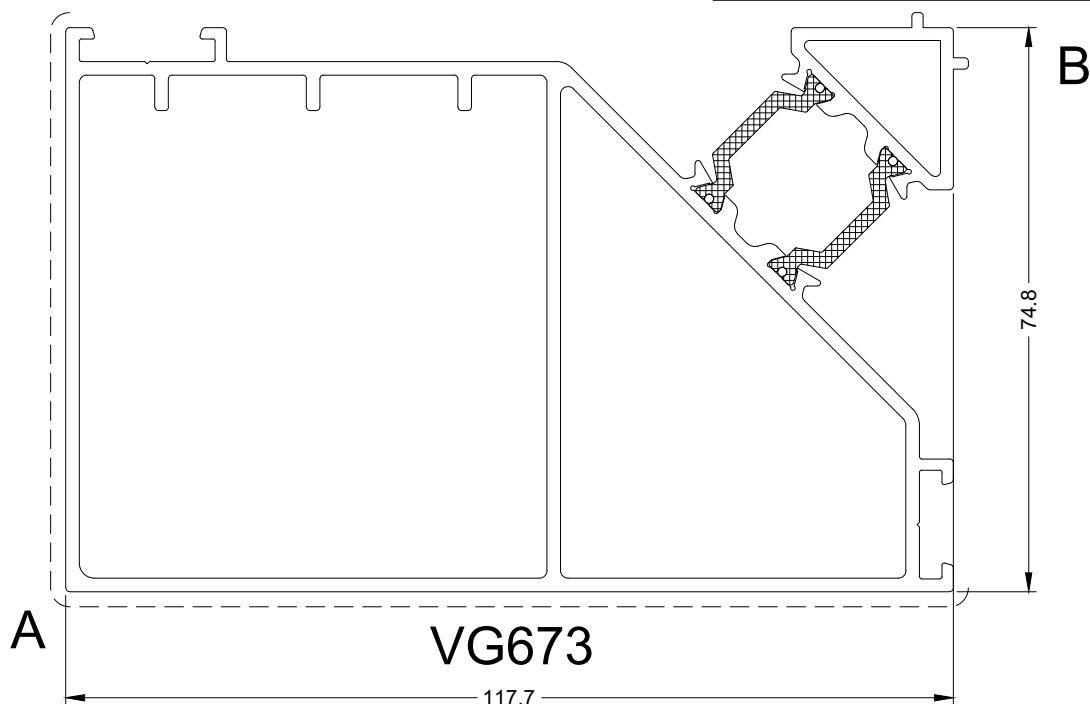
Primär sichtbare Seite
 Primary visible side

PROFIELEN - PROFILS-PROFILE - PROFILES

VG500

KOPPELPROFIEL
 PROFILE DE RACCORDEMENT
 KOPPLUNGSPROFIL
 CONNECTION PROFILE

LET OP BIJ BI-COLOR : KLEURZIJDE !
 ATTENTION AVEC BI-COLOR : CÔTÉ DE COULEUR !
 AUFMERKSAMKEIT MIT BI-COLOR : FARBE SEITE !
 ATTENTION WITH DUAL COLOR : COLOR SIDE !



KOP_3



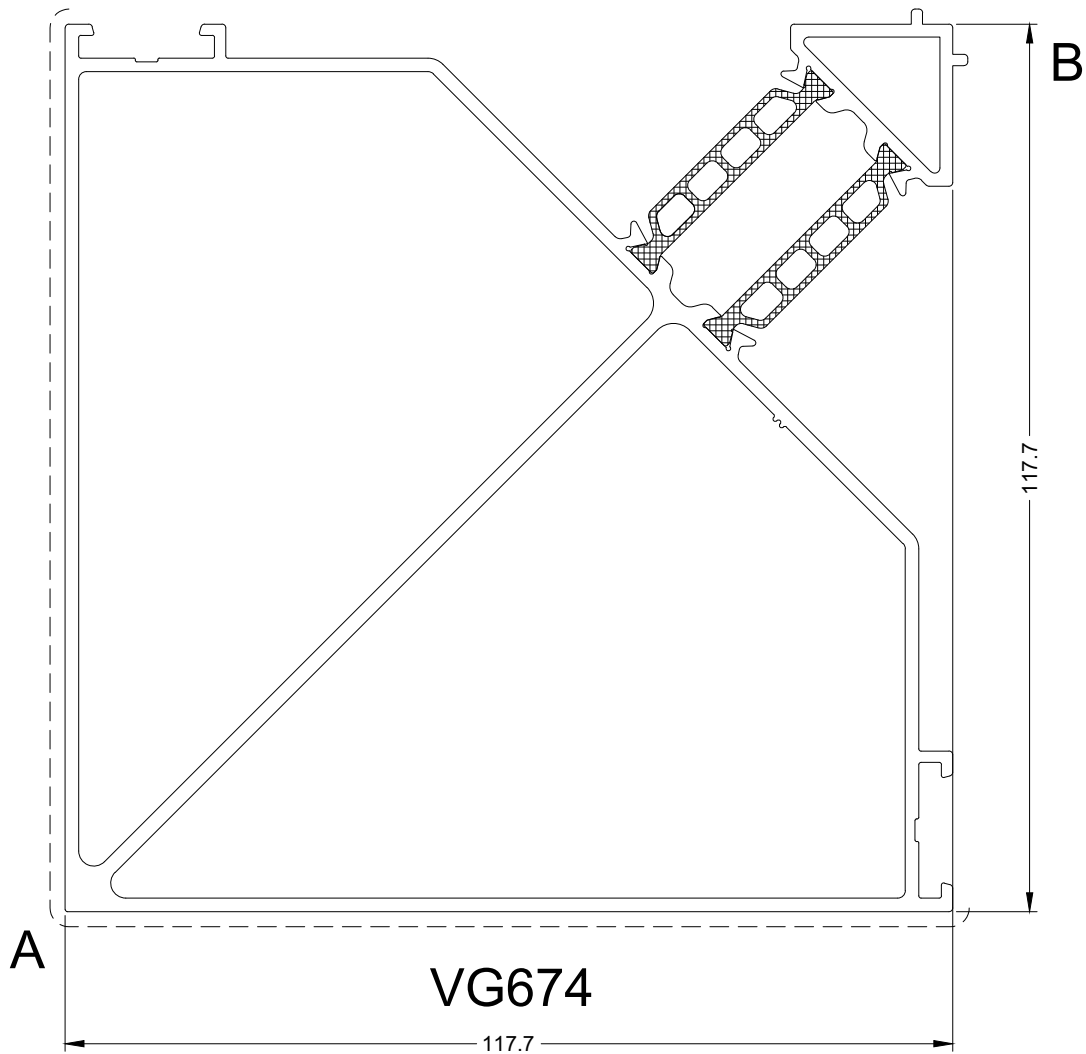
Primaire zichtbare zijde
 Face visible primaire

Primär sichtbare Seite
 Primary visible side

VG500

KOPPELPROFIEL
PROFILE DE RACCORDEMENT
KOPPLUNGSPROFIL
CONNECTION PROFILE

LET OP BIJ BI-COLOR : KLEURZIJDE !
ATTENTION AVEC BI-COLOR : CÔTÉ DE COULEUR !
AUFMERKSAMKEIT MIT BI-COLOR : FARBE SEITE !
ATTENTION WITH DUAL COLOR : COLOR SIDE !



PROFIELEN - PROFILS-PROFILE - PROFILES

KOP_5

aliplast
member of

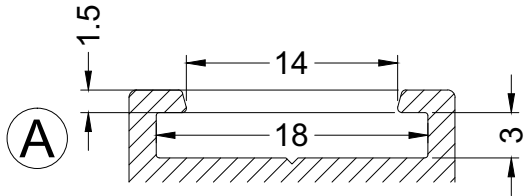
CORIALIS

Primaire zichtbare zijde
Face visible primaire

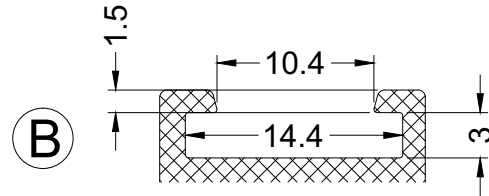
Primär sichtbare Seite
Primary visible side

VG500

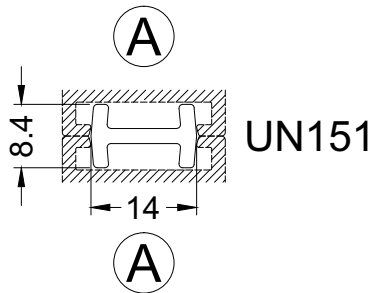
KOPPELPROFIEL
 PROFILE DE RACCORDEMENT
 KOPPLUNGSPROFIL
 CONNECTION PROFILE



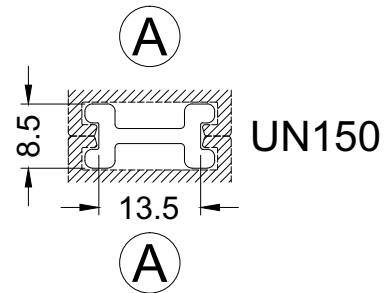
FT / RS / GT / UG / ...



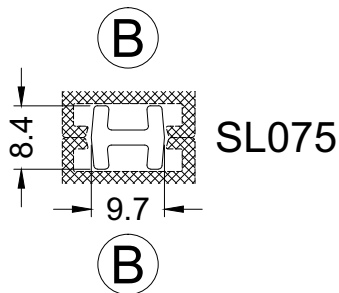
FT / RS / ...



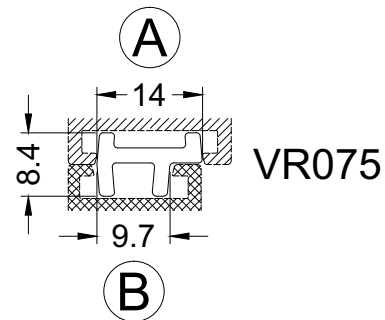
UN151



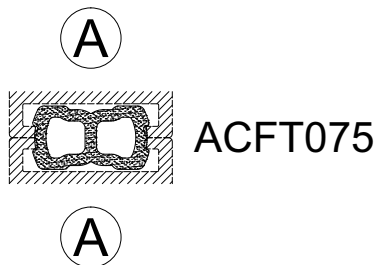
UN150



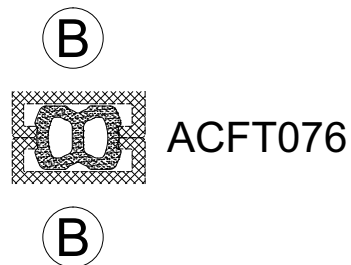
SL075



VR075



ACFT075



ACFT076

KOP

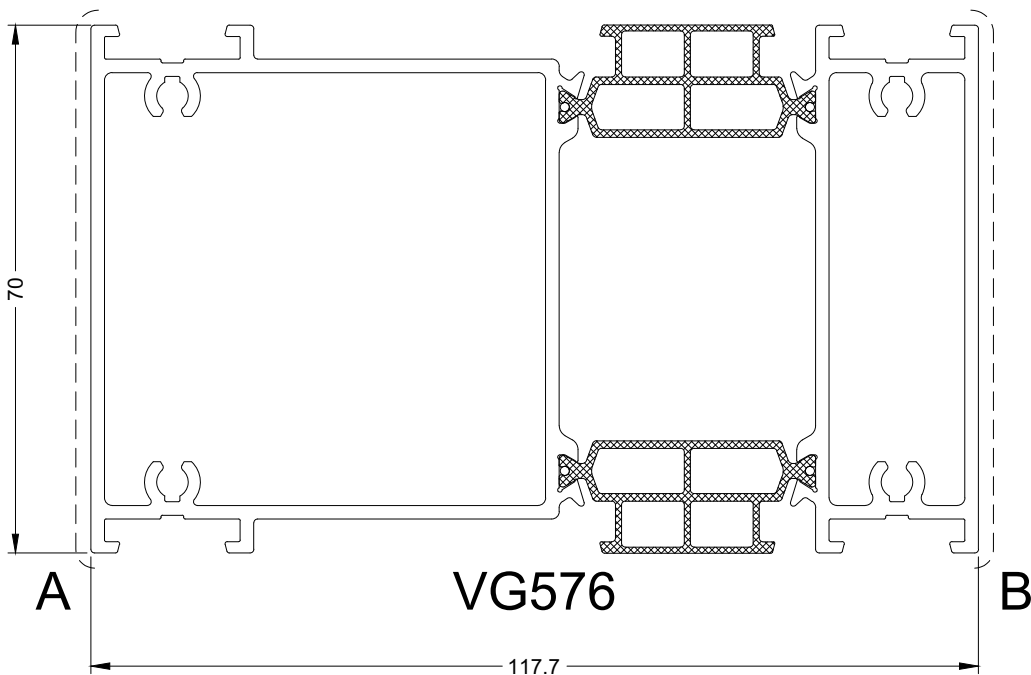
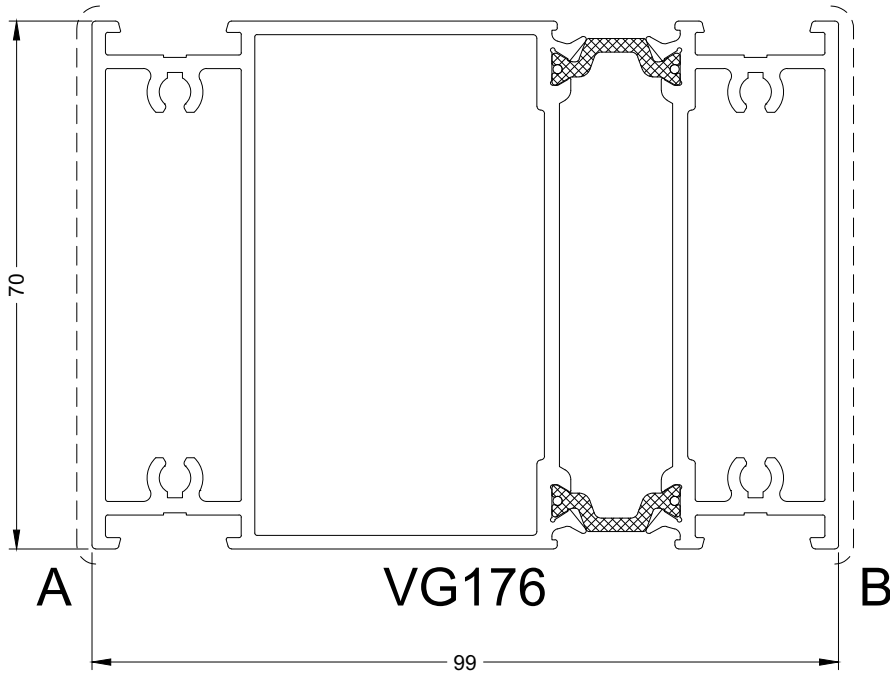
----- Primaire zichtbare zijde
 Face visible primaire

----- Primär sichtbare Seite
 Primary visible side

VG500

STRUCTUURPROFIEL
 PROFILE STRUCTUREL
 STRUKTURPROFIL
 STRUCTURAL PROFILE

PROFIELEN - PROFILS-PROFILE - PROFILES



STRUC_1

aliplast
 member of

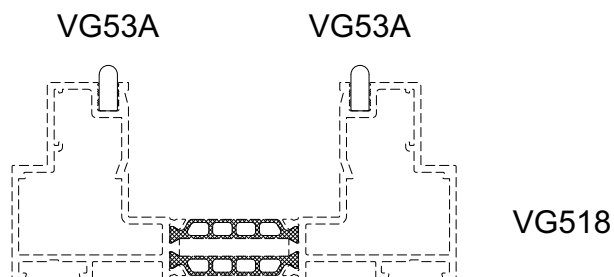
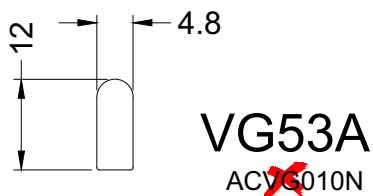
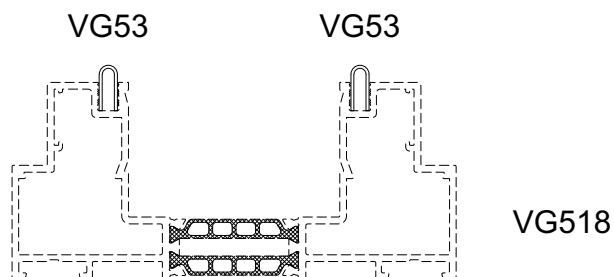
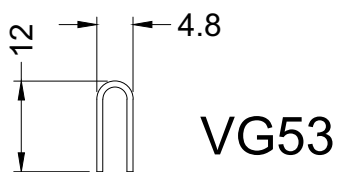
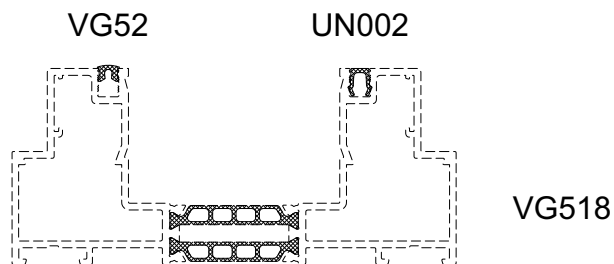
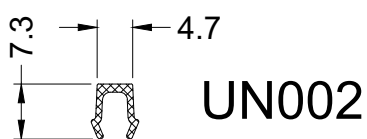
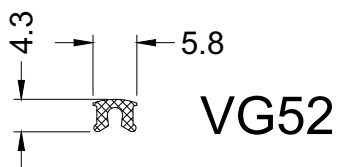


Primaire zichtbare zijde
 Face visible primaire

Primär sichtbare Seite
 Primary visible side

VG500

DIVERSE PROFIELEN
 PROFILES DIVERS
 ZUSATZPROFILE
 VARIOUS PROFILES



DIV_1A



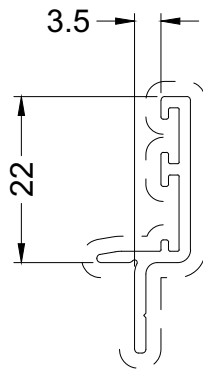
Primaire zichtbare zijde
 Face visible primaire

Primär sichtbare Seite
 Primary visible side

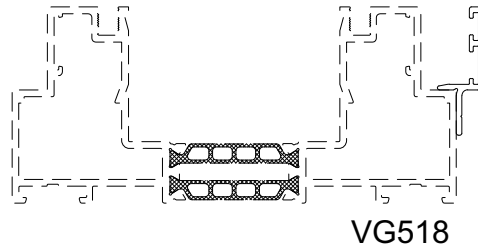
VG500

DIVERSE PROFIELEN
 PROFILES DIVERS
 ZUSATZPROFILE
 VARIOUS PROFILES

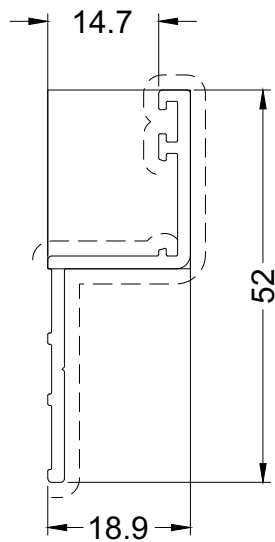
PROFIELEN - PROFILS - PROFILE - PROFILES



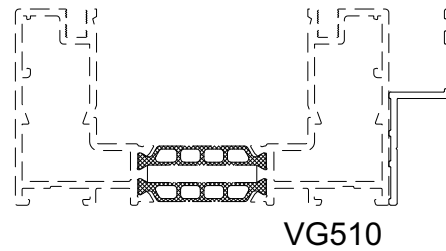
UN010



UN010



VG1510



VG1510

DIV_1B

aliplast
 member of



CORIALIS

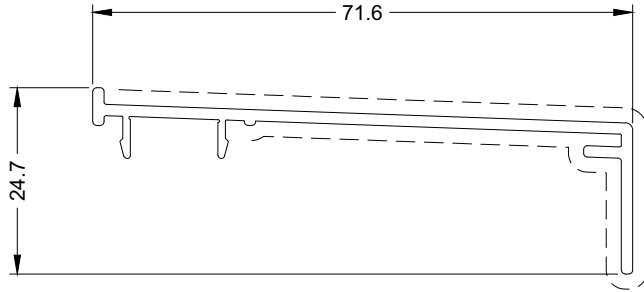


Primaire zichtbare zijde
 Face visible primaire

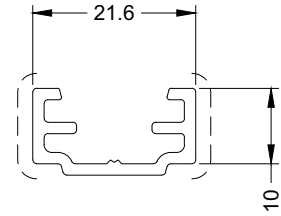
Primär sichtbare Seite
 Primary visible side

VG500

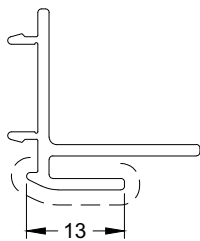
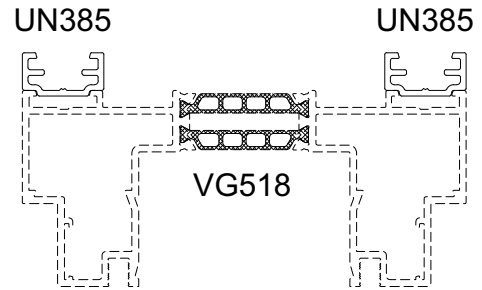
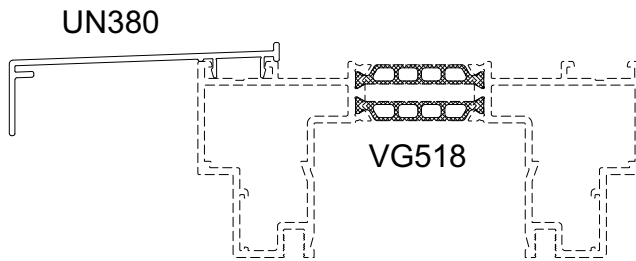
DIVERSE PROFIELEN
 PROFILES DIVERS
 ZUSATZPROFILE
 VARIOUS PROFILES



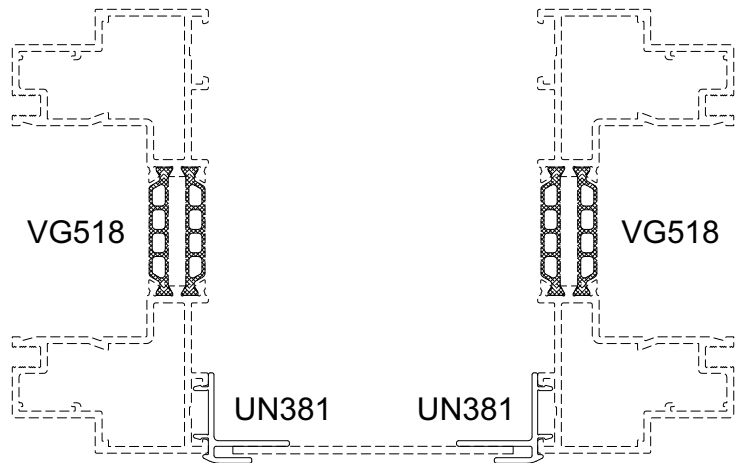
UN380



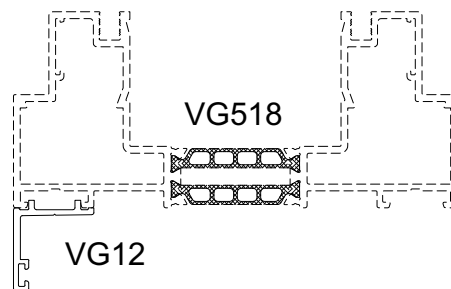
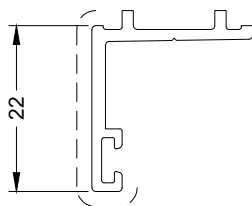
UN385



UN381



VG12



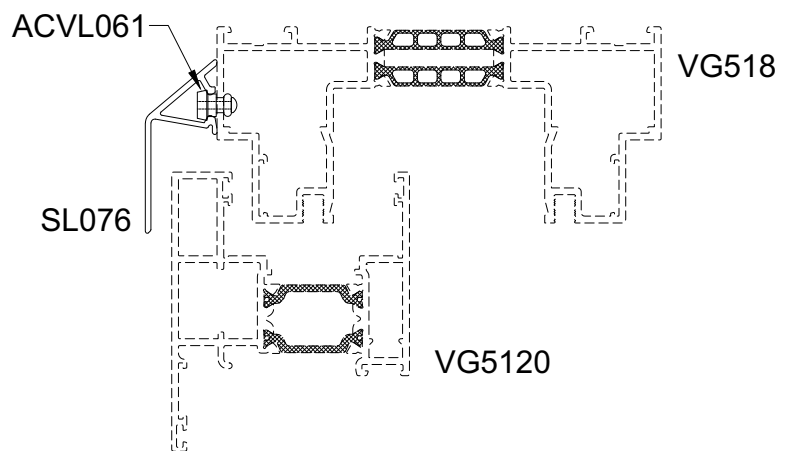
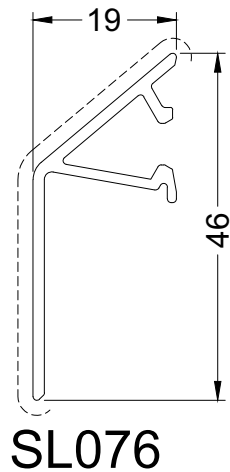
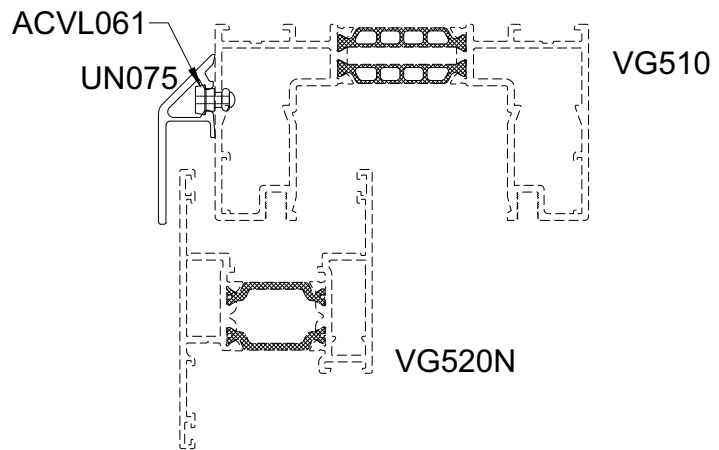
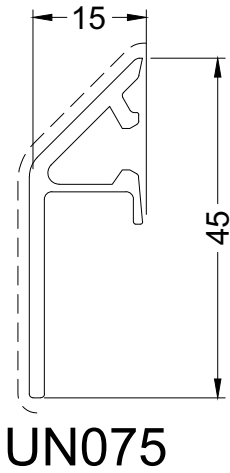
DIV_2



Primaire zichtbare zijde
 Face visible primaire

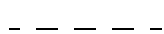
Primär sichtbare Seite
 Primary visible side

DIVERSE PROFIELEN
 PROFILES DIVERS
 ZUSATZPROFILE
 VARIOUS PROFILES



PROFIELEN - PROFILS-PROFILE - PROFILES

DIV_3

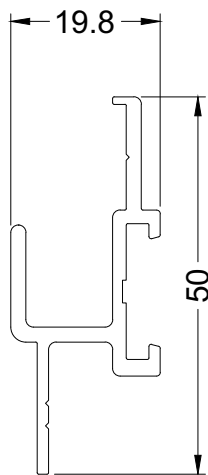


Primaire zichtbare zijde
 Face visible primaire

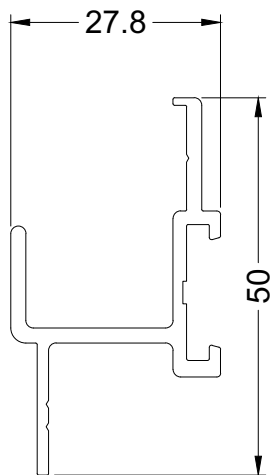
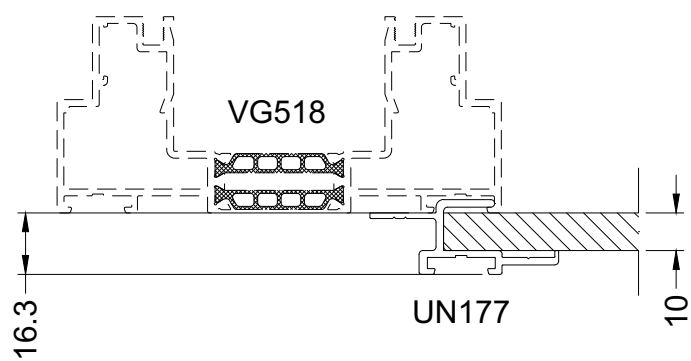
Primär sichtbare Seite
 Primary visible side

VG500

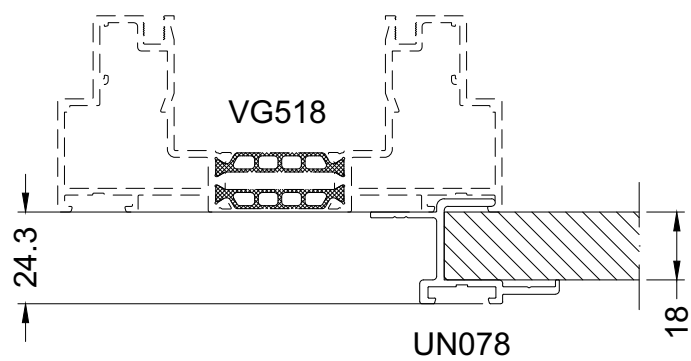
DIVERSE PROFIELEN
 PROFILES DIVERS
 ZUSATZPROFILE
 VARIOUS PROFILES



UN177



UN078



DIV_4



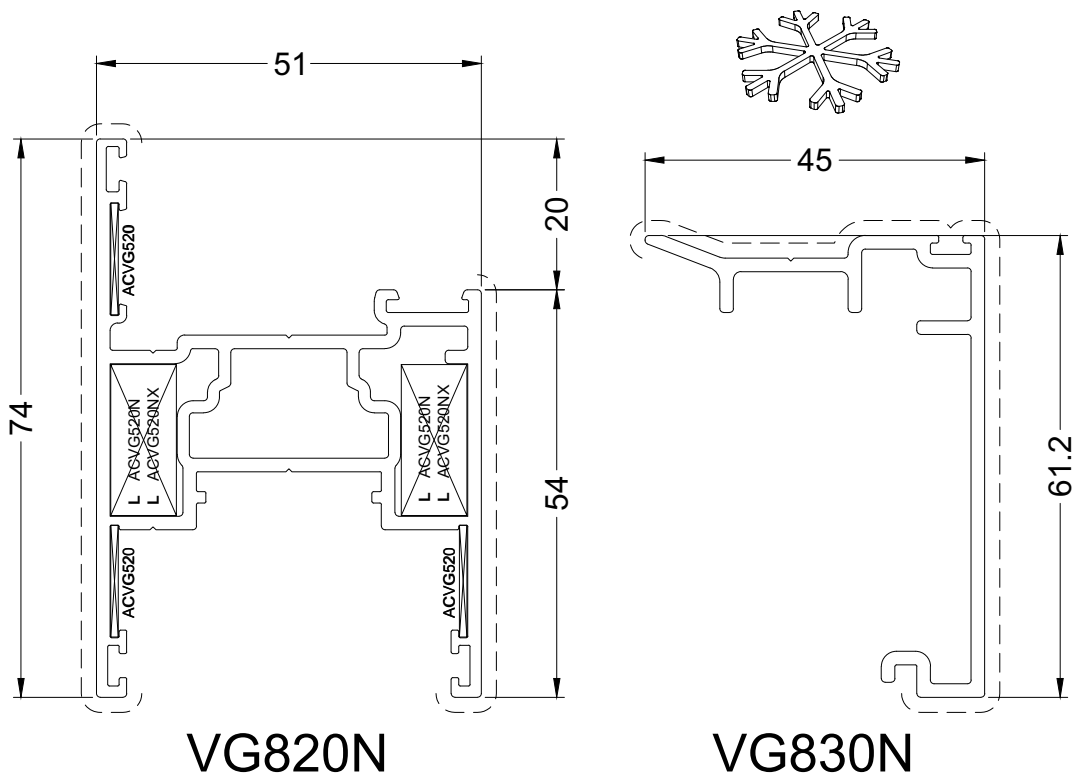
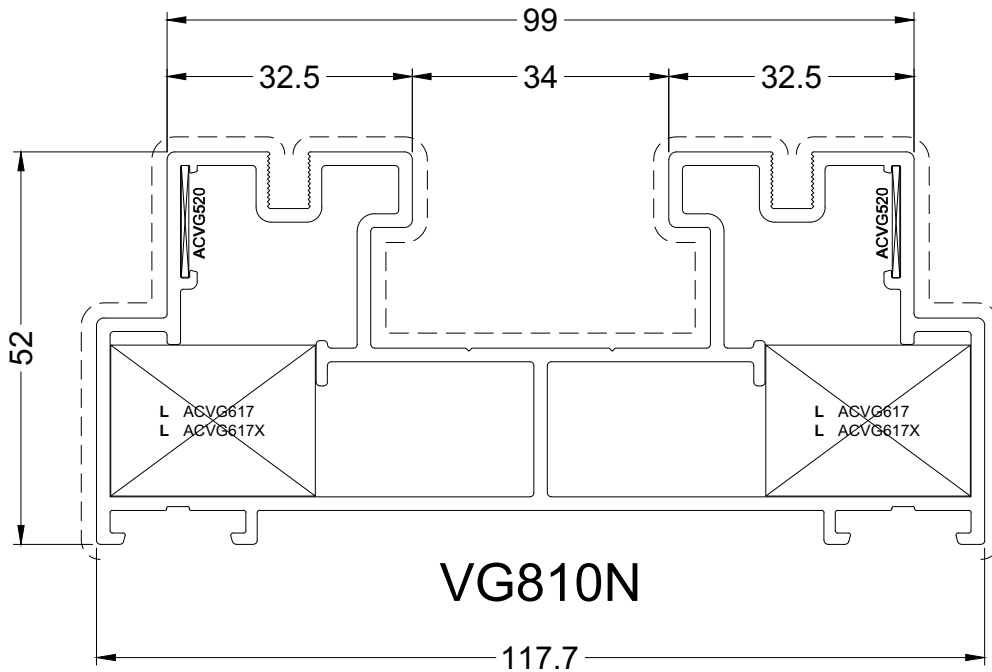
Primaire zichtbare zijde
 Face visible primaire

Primär sichtbare Seite
 Primary visible side

VG500

NIET-GEÏSOLEERDE PROFIELEN
 PROFILS NON-ISOLES
 UNISOLIERTEN PROFIELEN
 NON-INSULATED PROFILES

PROFIELEN - PROFILS - PROFILE - PROFILES



KOUD_1

aliplast
 member of

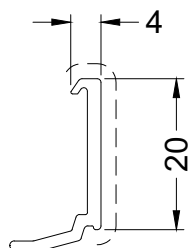


 Primaire zichtbare zijde
 Face visible primaire

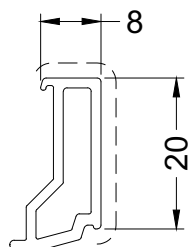
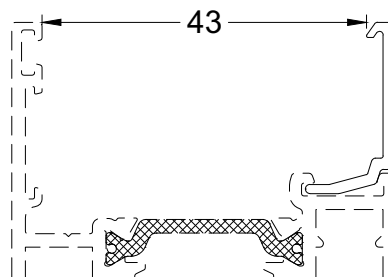
 Primär sichtbare Seite
 Primary visible side

VG500

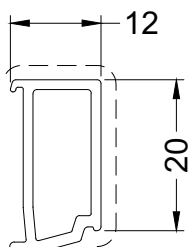
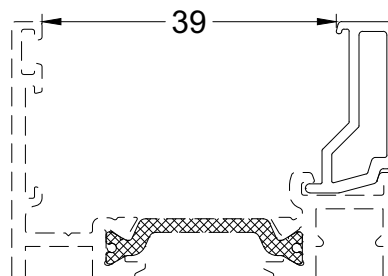
GLASLAT
 PARCLOSE
 GLASLEISTE
 GLAZING BEAD



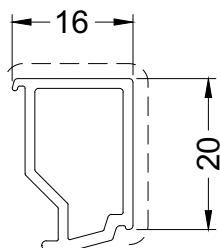
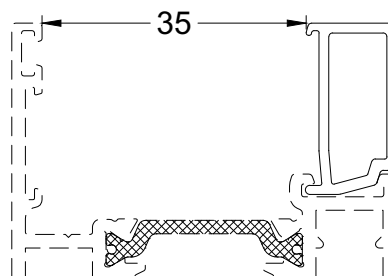
VG404



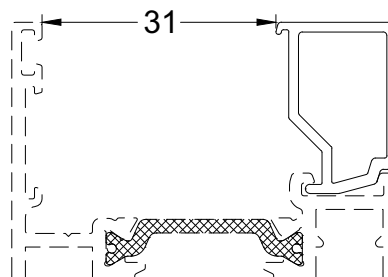
VG408



VG412N



VG416



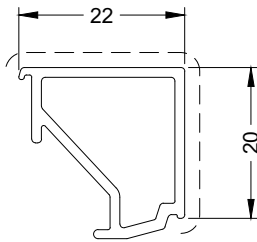
VG4XX_A

 Primaire zichtbare zijde
 Face visible primaire

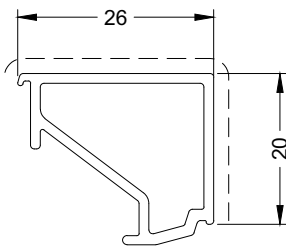
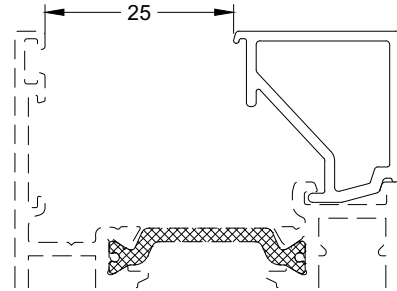
 Primär sichtbare Seite
 Primary visible side

VG500

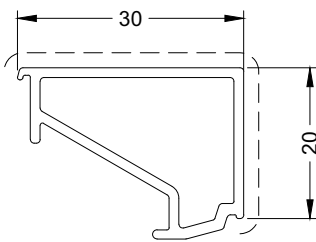
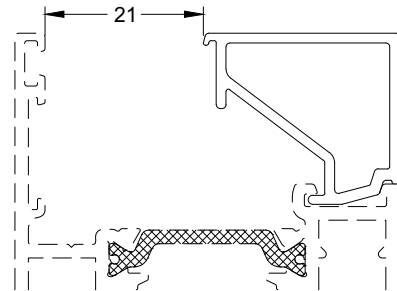
GLASLAT
 PARCLOSE
 GLASLEISTE
 GLAZING BEAD



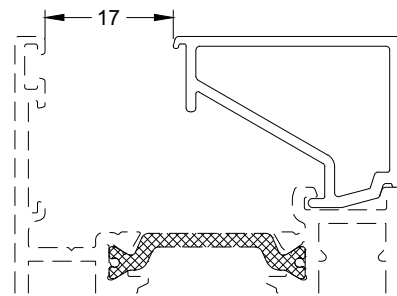
VG422



VG426



VG430



PROFIELEN - PROFILS-PROFILE - PROFILES

VG4XX-2

aliplast
 member of



CORIALIS



Primaire zichtbare zijde
 Face visible primaire

Primär sichtbare Seite
 Primary visible side

VG500

GLASLAT
 PARCLOSE
 GLASLEISTE
 GLAZING BEAD



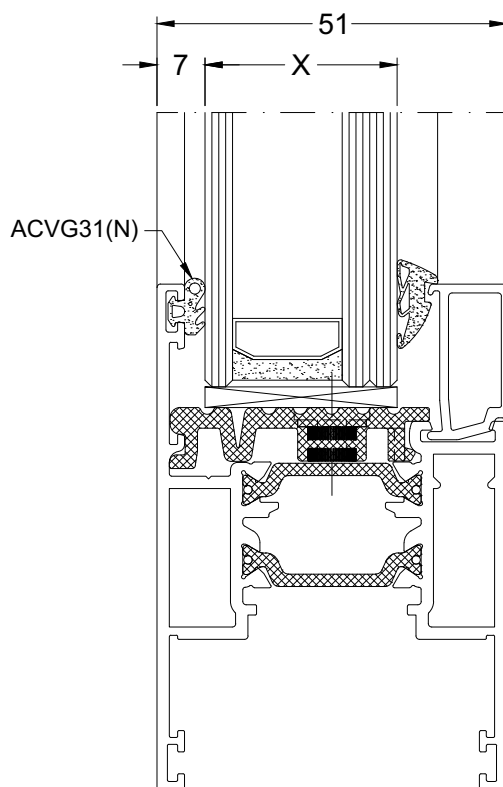
GLA704







Primaire zichtbare zijde
 Face visible primaire

Primär sichtbare Seite
 Primary visible side

BEGLAZINGSTABEL
 TABLEAU DE VITRAGE
 VERGLASUNGSTABELLE
 GLAZING TABLE



| GLASLAT PARCLOSE GLASLEISSTE GLAZING BEAD | BINNENBEGLAZINGSDICHTING JOINT DE VITRAGE INTERIEUR VERGLASUNGSDICHTUNG GLAZING GASKET | | | |
|--|---|---|--|---|
| |  |  |  |  |
| | ACVG33N | ACVG34N | ACVG340N | ACVG341N |
| | X (mm) | X (mm) | X (mm) | X (mm) |
| VG404 | 36 | 35 | 34 | 33 |
| VG408 | 32 | 31 | 30 | 29 |
| VG412N | 28 | 27 | 26 | 25 |
| VG416 | 24 | 23 | 22 | 21 |
| VG422 | 18 | 17 | 16 | 15 |
| VG426 | 14 | 13 | 12 | 11 |
| VG430 | 10 | 9 | 8 | 7 |



GLASTABEL-ACVG

aliplast
member of



CORIALIS



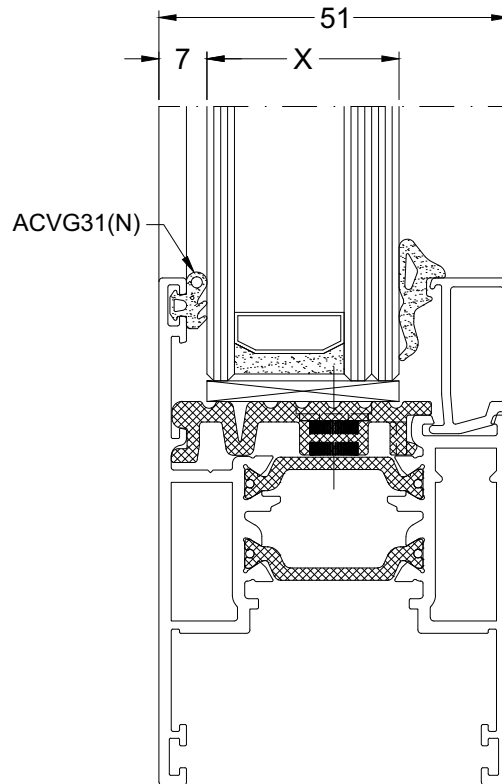
Primaire zichtbare zijde
Face visible primaire



Primär sichtbare Seite
Primary visible side

PROFIELEN - PROFILS - PROFILE - PROFILES

VG500

BEGLAZINGSTABEL
 TABLEAU DE VITRAGE
 VERGLASUNGSTABELLE
 GLAZING TABLE



| GLASLAT PARCLOSE GLASLEISSTE GLAZING BEAD | BINNENBEGLAZINGSDICHTING JOINT DE VITRAGE INTERIEUR VERGLASUNGSDICHTUNG GLAZING GASKET | | | |
|--|---|------------|---|------------|
| |  | |  | |
| | ACUN033 | | ACUN036 | |
| | X max (mm) | X min (mm) | X max (mm) | X min (mm) |
| VG404 | 36 | 35 | 34 | 32 |
| VG408 | 32 | 31 | 30 | 28 |
| VG412N | 28 | 27 | 26 | 24 |
| VG416 | 24 | 23 | 22 | 20 |
| VG422 | 18 | 17 | 16 | 14 |
| VG426 | 14 | 13 | 12 | 10 |
| VG430 | 10 | 9 | 8 | 6 |



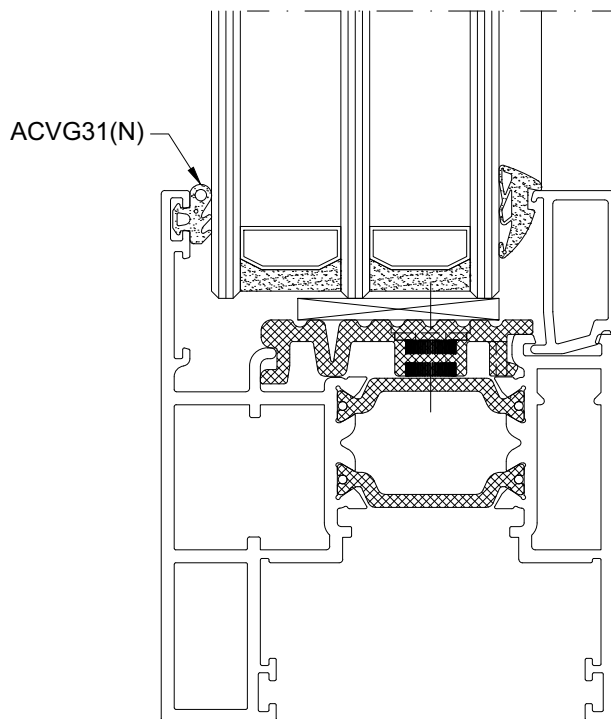
GLASTABEL-ACUN



Primaire zichtbare zijde
Face visible primaire





Primär sichtbare Seite
Primary visible side

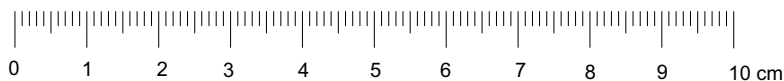
BEGLAZINGSTABEL
 TABLEAU DE VITRAGE
 VERGLASUNGSTABELLE
 GLAZING TABLE



VG5120/VG5121/
 VG5220/VG5221

PROFIELEN - PROFILS-PROFILE - PROFILES

| GLASLAT PARCLOSE GLASLEISSTE GLAZING BEAD | BINNENBEGLAZINGSDICHTING JOINT DE VITRAGE INTERIEUR VERGLASUNGSDICHTUNG GLAZING GASKET | | | |
|--|---|---|--|---|
| |  |  |  |  |
| | ACVG33N | ACVG34N | ACVG340N | ACVG341N |
| | X (mm) | X (mm) | X (mm) | X (mm) |
| VG404 | 48 | 47 | 46 | 45 |
| VG408 | 44 | 43 | 42 | 41 |
| VG412N | 40 | 39 | 38 | 37 |
| VG416 | 36 | 35 | 34 | 33 |
| VG422 | 32 | 31 | 30 | 29 |
| VG426 | 28 | 27 | 26 | 25 |
| VG430 | 24 | 23 | 22 | 21 |



GLASTABEL-ACVG-VG5120

aliplast
 member of



CORIALIS

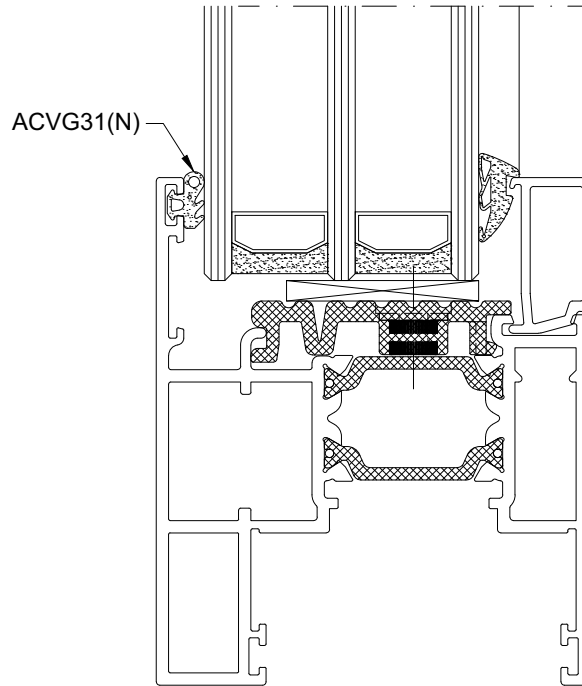


Primaire zichtbare zijde
 Face visible primaire



Primär sichtbare Seite
 Primary visible side

VG500

BEGLAZINGSTABEL
 TABLEAU DE VITRAGE
 VERGLASUNGSTABELLE
 GLAZING TABLE



VG5120/VG5121/
 VG5220/VG5221

| GLASLAT PARCLOSE GLASLEISSTE GLAZING BEAD | BINNENBEGLAZINGSDICHTING JOINT DE VITRAGE INTERIEUR VERGLASUNGSDICHTUNG GLAZING GASKET | | | |
|--|---|------------|---|------------|
| |  | |  | |
| | ACUN033 | | ACUN036 | |
| | X max (mm) | X min (mm) | X max (mm) | X min (mm) |
| VG404 | 48 | 47 | 46 | 44 |
| VG408 | 44 | 43 | 42 | 40 |
| VG412N | 40 | 39 | 38 | 36 |
| VG416 | 36 | 35 | 34 | 32 |
| VG422 | 32 | 31 | 30 | 28 |
| VG426 | 28 | 27 | 26 | 24 |
| VG430 | 24 | 26 | 22 | 20 |



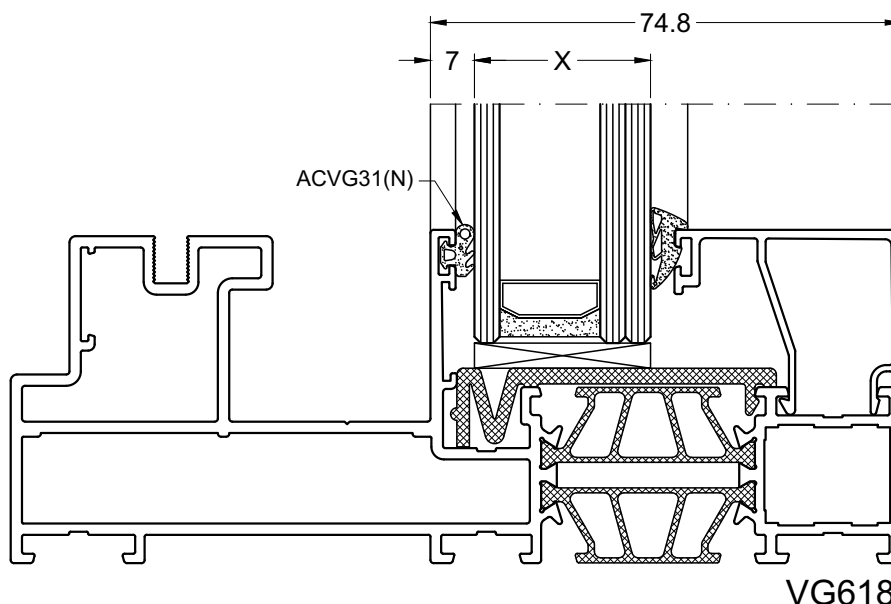
GLASTABEL-ACUN-VG5120







Primaire zichtbare zijde
 Face visible primaire

Primär sichtbare Seite
 Primary visible side

BEGLAZINGSTABEL
 TABLEAU DE VITRAGE
 VERGLASUNGSTABELLE
 GLAZING TABLE



PROFIELEN - PROFILS - PROFILE - PROFILES

| GLASLAT PARCLOSE GLASLEISSTE GLAZING BEAD | BINNENBEGLAZINGSDICHTING JOINT DE VITRAGE INTERIEUR VERGLASUNGSDICHTUNG GLAZING GASKET | | | |
|--|---|---|--|---|
| |  |  |  |  |
| | ACVG33N | ACVG34N | ACVG340N | ACVG341N |
| | X (mm) | X (mm) | X (mm) | X (mm) |
| GL704 | 60 | 59 | 58 | 57 |
| GL708 | 56 | 55 | 54 | 53 |
| GL712 | 52 | 51 | 50 | 49 |
| GL716 | 48 | 47 | 46 | 45 |
| GL720 | 44 | 43 | 42 | 41 |
| GL724 | 40 | 39 | 38 | 37 |
| GL728 | 36 | 35 | 34 | 33 |
| GL732 | 32 | 31 | 30 | 29 |
| GL736 | 28 | 27 | 26 | 25 |
| GL740 | 24 | 23 | 22 | 21 |
| GL744 | 20 | 19 | 18 | 17 |

GLASTABEL-ACVG-2

aliplast
member of

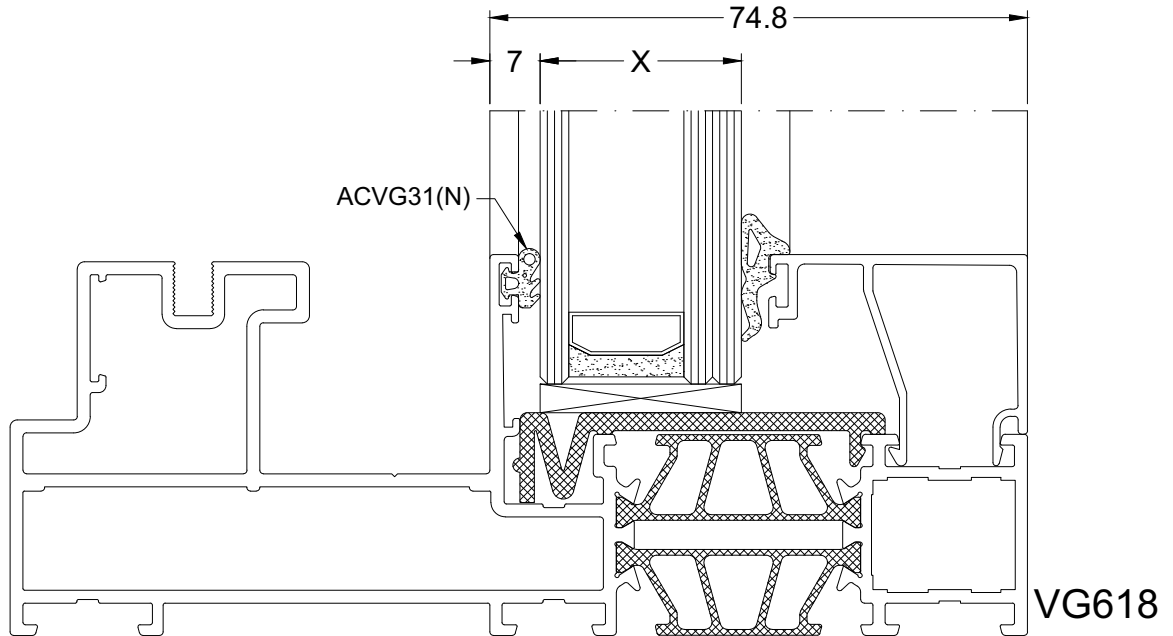




 Primaire zichtbare zijde
 Face visible primaire

Primär sichtbare Seite
 Primary visible side

VG500

BEGLAZINGSTABEL
 TABLEAU DE VITRAGE
 VERGLASUNGSTABELLE
 GLAZING TABLE



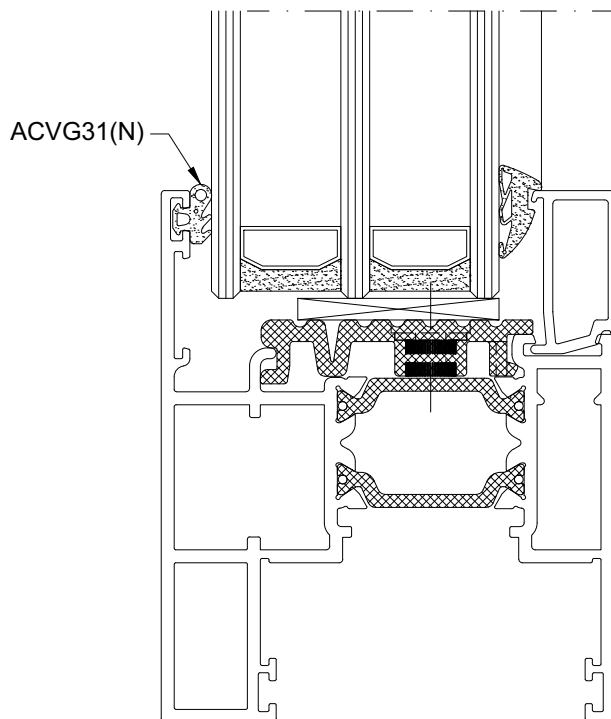
| GLASLAT PARCLOSE GLASLEISSTE GLAZING BEAD | BINNENBEGLAZINGSDICHTING JOINT DE VITRAGE INTERIEUR VERGLASUNGSDICHTUNG GLAZING GASKET | | | |
|--|---|------------|---|------------|
| |  | |  | |
| | ACUN033 | | ACUN036 | |
| | X max (mm) | X min (mm) | X max (mm) | X min (mm) |
| GL704 | 60 | 59 | 58 | 56 |
| GL708 | 56 | 55 | 54 | 52 |
| GL712 | 52 | 51 | 50 | 48 |
| GL716 | 48 | 47 | 46 | 44 |
| GL720 | 44 | 43 | 42 | 40 |
| GL724 | 40 | 39 | 38 | 36 |
| GL728 | 36 | 35 | 34 | 32 |
| GL732 | 32 | 31 | 30 | 28 |
| GL736 | 28 | 27 | 26 | 24 |
| GL740 | 24 | 23 | 22 | 20 |

GLASTABEL-ACUN-2







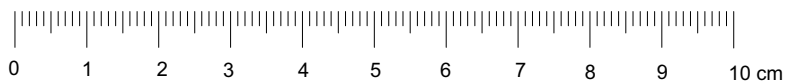
Primaire zichtbare zijde
Face visible primaire

Primär sichtbare Seite
Primary visible side



VG5120/VG5121/
VG5220/VG5221

| GLASLAT PARCLOSE GLASLEISSTE GLAZING BEAD | BINNENBEGLAZINGSDICHTING JOINT DE VITRAGE INTERIEUR VERGLASUNGSDICHTUNG GLAZING GASKET | | | |
|--|---|---|--|---|
| |  |  |  |  |
| | ACVG33N | ACVG34N | ACVG340N | ACVG341N |
| | X (mm) | X (mm) | X (mm) | X (mm) |
| VG404 | 48 | 47 | 46 | 45 |
| VG408 | 44 | 43 | 42 | 41 |
| VG412N | 40 | 39 | 38 | 37 |
| VG416 | 36 | 35 | 34 | 33 |
| VG422 | 32 | 31 | 30 | 29 |
| VG426 | 28 | 27 | 26 | 25 |
| VG430 | 24 | 23 | 22 | 21 |



GLASTABEL-ACVG-VG5120

aliplast
member of



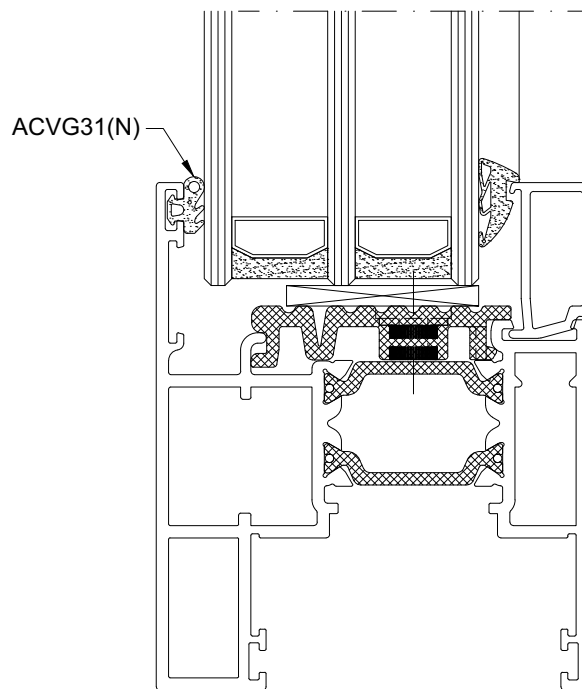
CORIALIS





Primaire zichtbare zijde
Face visible primaire

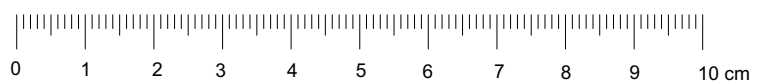
Primär sichtbare Seite
Primary visible side

VG500



VG5120/VG5121/
VG5220/VG5221

| GLASLAT PARCLOSE GLASLEISSTE GLAZING BEAD | BINNENBEGLAZINGSDICHTING JOINT DE VITRAGE INTERIEUR VERGLASUNGSDICHTUNG GLAZING GASKET | | | |
|--|---|------------|---|------------|
| |  | |  | |
| | ACUN033 | | ACUN036 | |
| | X max (mm) | X min (mm) | X max (mm) | X min (mm) |
| VG404 | 48 | 47 | 46 | 44 |
| VG408 | 44 | 43 | 42 | 40 |
| VG412N | 40 | 39 | 38 | 36 |
| VG416 | 36 | 35 | 34 | 32 |
| VG422 | 32 | 31 | 30 | 28 |
| VG426 | 28 | 27 | 26 | 24 |
| VG430 | 24 | 26 | 22 | 20 |








GLASTABEL-ACUN-VG5120

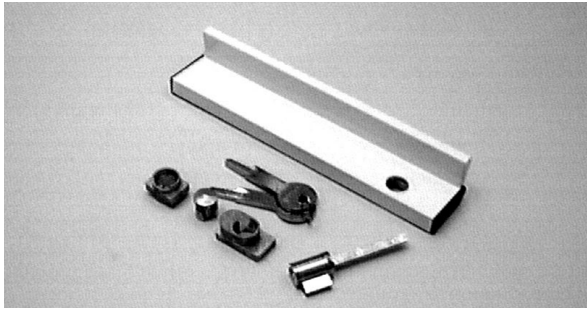


Primaire zichtbare zijde
Face visible primaire

Primär sichtbare Seite
Primary visible side

| AFBEELDING IMAGE BILD PICTURE | OMSCHRIJVING DESCRIPTION BESCHREIBUNG DESCRIPTION | TOEPASSING APPLICATION ANWENDUNG APPLICATION | VERP.PER EMB.PAR PACK PR. PACK PR. |
|---|--|---|---|
|  | <p>ACVG010N</p> <p>WIEL (MAX. 250 KG/VLEUGEL) ROULETTE (MAX. 250 KG/OUVRANT) LAUFRAD (MAX. 250 KG/FLUGEL) ROLLER (MAX. 250 KG/VENT)</p> <p>INOX</p> <p>!!! VG53A (ALUMINIUM)</p> | <p>VG520N VG820N</p> | <p>1</p> |
|  | <p>ACVG22</p> <p>BORSTELAFDICHTING 7.5 MM + 3 MM BROSSE 7.5 MM + 3 MM BURSTELDICHTUNG 7.5 MM + 3 MM BRUCH FITTING 7.5 MM + 3 MM</p> | <p>VG553</p> | <p>100</p> |
|  | <p>ACVG31N</p> <p>BINNENBEGLAZINGSDICHTING JOINT DE VITRAGE INTERIEUR INNENVERGLASUNGSDICHTUNG INNER GLAZING GASKET</p> <p>3 MM</p> | <p>VG520N VG521N</p> | <p>200 M</p> |
|  | <p>ACVG32N</p> <p>BINNENBEGLAZINGSDICHTING JOINT DE VITRAGE INTERIEUR INNENVERGLASUNGSDICHTUNG INNER GLAZING GASKET</p> <p>3 MM</p> | <p>VG520N VG521N</p> | <p>100 M</p> |
|  | <p>ACVG33N</p> <p>BINNENBEGLAZINGSDICHTING JOINT DE VITRAGE INTERIEUR INNENVERGLASUNGSDICHTUNG INNER GLAZING GASKET</p> <p>4 MM</p> | <p>VG520N VG521N</p> | <p>100 M</p> |



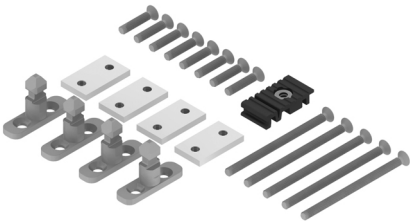

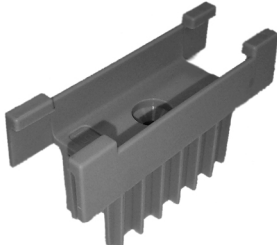
VG500


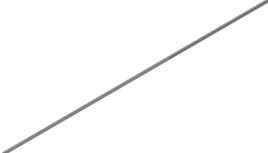
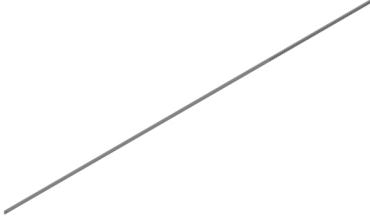
| AFBEELDING IMAGE BILD PICTURE | OMSCHRIJVING DESCRIPTION BESCHREIBUNG DESCRIPTION | TOEPASSING APLPLICATION ANWENDUNG APPLICATION | VERP.PER EMB.PAR PACK PR. PACK PR. |
|---|---|--|---|
|  | <p>ACVG34N</p> <p>BINNENBEGLAZINGSDICHTING JOINT DE VITRAGE INTERIEUR INNENVERGLASUNGSDICHTUNG INNER GLAZING GASKET</p> <p>5 MM</p> | <p>VG520N VG521N ...</p> | <p>100 M</p> |
|  | <p>ACVG35</p> <p>NIET AUTOMATISCHE SLUITING SCHUIFDEUR FERMETURE COULISSANTE NON AUTOMATIQUE NICHT AUTOMATISCHE HANDGRIFF SCHIEBETÜR NOT AUTOMATIC HANDLE FOR SLIDING DOOR</p> | <p>VG517/VG518 VG520N</p> | <p>1</p> |
|  | <p>ACVG37</p> <p>HANDGREEP BUITENKANT POIGNEE EXTERIEURE GRIFF SCHIEBETÜR HANDLE OUTSIDE</p> | <p>VG520N</p> | <p>1</p> |
|  | <p>ACVG38</p> <p>HANDGREEP BUITEN + cylinder POGNEE EXTERIEURE + CYLINDRE GRIFF MIT ZYLINDER HANDLE OUTSIDE + CYLINDRE</p> | <p>VG520N</p> | <p>1</p> |
|  | <p>ACVG45</p> <p>AFDEKKAP WATERAFVOERSLEUVEN CAPUCHON DRAINAGE D'EAU ABDECKKAPPE ENTWAESSERUNG WEEP HOLE COVER</p> | | <p>100</p> |

Z● W○ XXX●

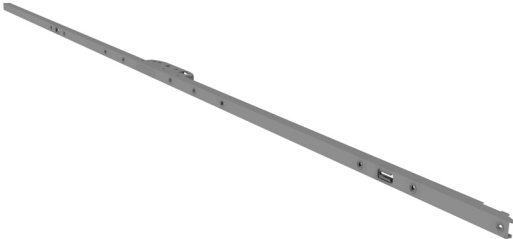
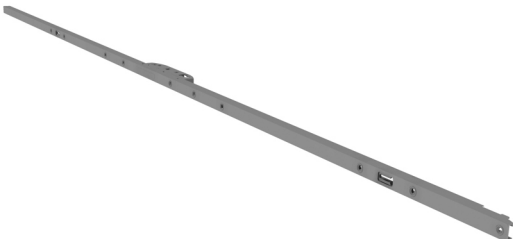
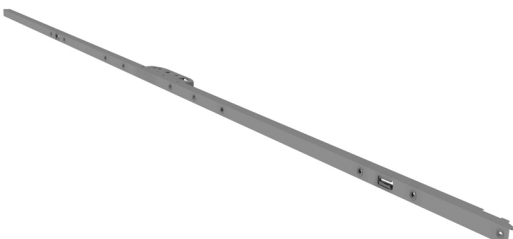

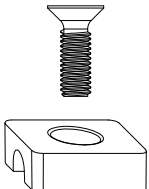
| AFBEELDING IMAGE BILD PICTURE | OMSCHRIJVING DESCRIPTION BESCHREIBUNG DESCRIPTION | TOEPASSING APPLICATION ANWENDUNG APPLICATION | VERP.PER EMB.PAR PACK PR. PACK PR. |
|---|---|---|---|
|  | <p>ACVG52</p> <p>AUTOMATISCHE SLUITING SCHUIFRAAM 120MM FERMETURE FENETRE COUL. AUTOMATIQUE 120MM AUTOMATISCHE HANDHABE SCHIEBEFENSTER 120MM AUTOMATIC HANDLE FOR SLIDING WINDOW 120MM</p> | <p>VG517/VG518 VG520N</p> | <p>1</p> |
|  | <p>ACVG55</p> <p>AUTOMATISCHE SLUITING SCHUIFRAAM 180MM FERMETURE FENETRE COUL. AUTOMATIQUE 180MM AUTOMATISCHE HANDHABE SCHIEBEFENSTER 180MM AUTOMATIC HANDLE FOR SLIDING WINDOW 180MM</p> | <p>VG517/VG518 VG520N</p> | <p>1</p> |
|  | <p>ACVG65</p> <p>ZESKANTSLEUTEL 2.5MM CLÉ À SIX PANS 2.5MM SECHSKANTSCHLÜSSEL 2.5MM T-HANDLE HEXAGON KEY 2.5MM</p> | | <p>1</p> |
|  | <p>ACVG66</p> <p>ZESKANTSLEUTEL 3MM CLÉ À SIX PANS 3MM SECHSKANTSCHLÜSSEL 3MM T-HANDLE HEXAGON KEY 3MM</p> | | <p>1</p> |
|  | <p>ACVG81</p> <p>BEVESTIGINGSPLAAT VOOR SLOT PLAQUES DE FIXATION POUR SERRURE BEFESTIGUNGSPLATTE FÜR SCHLOSS FIXATION PLATES FOR LOCK</p> | <p>VG542</p> | <p>1</p> |


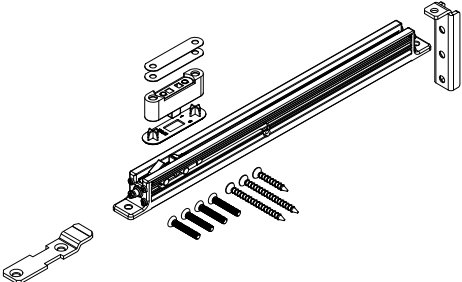
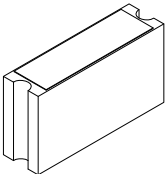
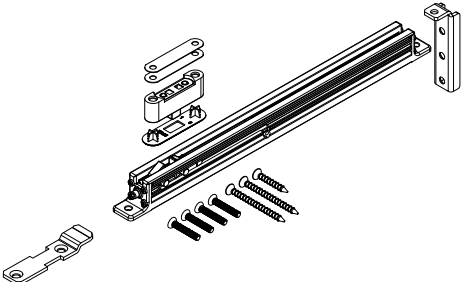

VG500

| AFBEELDING IMAGE BILD PICTURE | OMSCHRIJVING DESCRIPTION BESCHREIBUNG DESCRIPTION | TOEPASSING APLPLICATION ANWENDUNG APPLICATION | VERP.PER EMB.PAR PACK PR. PACK PR. |
|---|---|--|---|
|  | <p>ACVG110N</p> <p>WIEL (MAX. 200 KG/VLEUGEL) ROULETTE (MAX. 200 KG/OUVRANT) LAUFRAD (MAX. 200 KG/FLUGEL) ROLLER (MAX. 200 KG/VENT)</p> <p>PVC</p> | <p>VG520N VG820N</p> | <p>1</p> |
|  | <p>ACVG131N</p> <p>BUITENBEGLAZINGSDICHTING JOINT DE VITRAGE EXTERIEUR AUSSENVERGLASUNGSDICHTUNG OUTER GLAZING GASKET</p> <p>4 MM</p> | <p>VG520N VG521N ...</p> | <p>100 M</p> |
|  | <p>ACVG240</p> <p>BASISSET HEFSCHUIFDEUR 4-SLAG SET DE BASE SOULEV. COULISSANT 4 VANTAUX GRUNDKARTON HEBESCHIEBETUER 4 FLUEGEL BASIC SET LIFT AND SLIDING DOOR 4 DOOR</p> | <p>VG542</p> | <p>1</p> |
|  | <p>ACVG256</p> <p>MIDDEN VERGRENDELING SCHUIFDEUR VERROUILLAGE CENTRALE POUR PORTE COULIS- SANTE MITTEL VERRIEGELUNG FUR SCHIEBETUR CENTRAL CLOSURE FOR SLIDING DOOR</p> | | <p>1</p> |
|  | <p>ACVG268</p> <p>GELEIDINGSSTUK PIECE DE GUIDAGE FUEHRUNGSSTUECK GUIDE BRACKET</p> | <p>ACVG269 ACVG270 ACVG271 ACVG272 ACVG273</p> | <p>1</p> |






| AFBEELDING IMAGE BILD PICTURE | OMSCHRIJVING DESCRIPTION BESCHREIBUNG DESCRIPTION | TOEPASSING APPLICATION ANWENDUNG APPLICATION | VERP.PER EMB.PAR PACK PR. PACK PR. |
|---|---|---|---|
|  | <p>ACVG269</p> <p>VERBINDINGSSTANG TIGE DE RACCORDEMENT VERBINDUNGSSTANGE CONNECTING ROD</p> <p>702 MM < FB < 1278 MM</p> | ACVG280N | 1 |
|  | <p>ACVG270</p> <p>VERBINDINGSSTANG TIGE DE RACCORDEMENT VERBINDUNGSSTANGE CONNECTING ROD</p> <p>1277 MM < FB < 1782 MM</p> | ACVG280N | 1 |
|  | <p>ACVG271</p> <p>VERBINDINGSSTANG TIGE DE RACCORDEMENT VERBINDUNGSSTANGE CONNECTING ROD</p> <p>1781 MM < FB < 2286 MM</p> | ACVG280N | 1 |
|  | <p>ACVG272</p> <p>VERBINDINGSSTANG TIGE DE RACCORDEMENT VERBINDUNGSSTANGE CONNECTING ROD</p> <p>2285 MM < FB < 2790 MM</p> | ACVG280N | 1 |
|  | <p>ACVG273</p> <p>VERBINDINGSSTANG TIGE DE RACCORDEMENT VERBINDUNGSSTANGE CONNECTING ROD</p> <p>2789 MM < FB < 3294 MM</p> | ACVG280N | 1 |

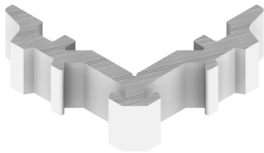
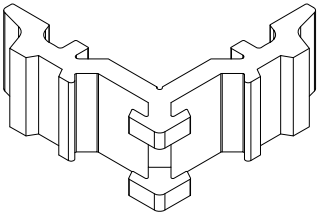
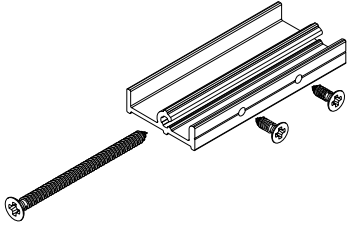
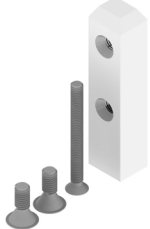

VG500

| AFBEELDING IMAGE BILD PICTURE | OMSCHRIJVING DESCRIPTION BESCHREIBUNG DESCRIPTION | TOEPASSING APLPLICATION ANWENDUNG APPLICATION | VERP.PER EMB.PAR PACK PR. PACK PR. |
|---|--|--|---|
|  | <p>ACVG277</p> <p>SLOT HEFSCHUIFDEUR SERRURE SOULEV. COULISSANT HAKENSCHLOSS HEBESCHIEBETUER LOCK LIFT AND SLIDING DOOR</p> <p>1718 MM < FH < 2218 MM</p> | ACVG280N | 1 |
|  | <p>ACVG278</p> <p>SLOT HEFSCHUIFDEUR SERRURE SOULEV. COULISSANT HAKENSCHLOSS HEBESCHIEBETUER LOCK LIFT AND SLIDING DOOR</p> <p>2217 MM < FH < 2618 MM</p> | ACVG280N | 1 |
|  | <p>ACVG279</p> <p>SLOT HEFSCHUIFDEUR SERRURE SOULEV. COULISSANT HAKENSCHLOSS HEBESCHIEBETUER LOCK LIFT AND SLIDING DOOR</p> <p>FH > 2617 MM</p> | ACVG280N | 1 |
|  | <p>ACVG280N</p> <p>BASISSET HEFSCHUIFDEUR SET DE BASE SOULEV. COULISSANT GRUNDKARTON HEBESCHIEBETUER BASIC SET LIFT AND SLIDING DOOR</p> <p>< 200 KG</p> | VG521N | 1 |
|  | <p>ACVG281N</p> <p>SLUITPUNT (ONDER) POINT DE VERROUILLAGE (EN BAS) SCHLIESSPUNKT (UNTEN) LOCKING POINT (BOTTOM)</p> | VG521N + ACVG280N | 1 |

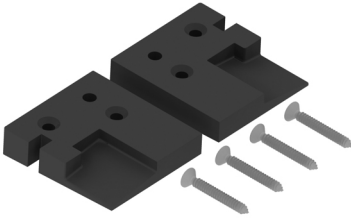
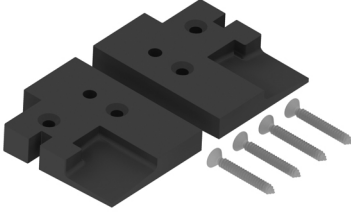
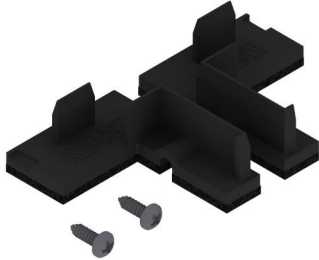

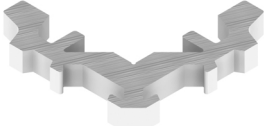
| AFBEELDING IMAGE BILD PICTURE | OMSCHRIJVING DESCRIPTION BESCHREIBUNG DESCRIPTION | TOEPASSING APPLICATION ANWENDUNG APPLICATION | VERP.PER EMB.PAR PACK PR. PACK PR. |
|---|---|---|---|
|  | <p>ACVG284</p> <p>BLINDKLINKMOER M6 ECROUS À SERTIR M6 BLINDNIETMUTTER M6 BLIND RIVET NUT M6</p> | VG521N | 10 |
| X10 | | | |
|  | <p>ACVG290</p> <p>COMFORT SLUTING <200 KG FERMETURE DE CONFORT < 200 KG KOMFORTVERSCHLUSS < 200 KG COMFORT CLOSURE < 200 KG</p> | VG521N | 1 |
|  | <p>ACVG291</p> <p>BEVESTIGINGSBLOKJE VOOR COMFORTCLOSE BLOC DE FIXATION POUR COMFORTCLOSE BEFESTIGUNGSBLOCK FÜR COMFORTCLOSE FIXATION BLOCK FOR COMFORTCLOSE</p> | ACVG290 ACVG292 | 1 |
|  | <p>ACVG292</p> <p>COMFORT SLUTING <300 KG FERMETURE DE CONFORT < 300 KG KOMFORTVERSCHLUSS < 300 KG COMFORT CLOSURE < 300 KG</p> | VG521N | 1 |
|  | <p>ACVG300</p> <p>ONDERBOUW RUBBER JOINT DE SUPPORT STUETZDICHTUNG SUPPORT GASKET</p> | VG510 | 25 M |

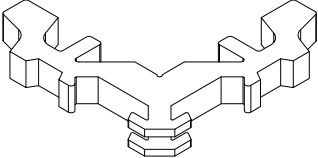


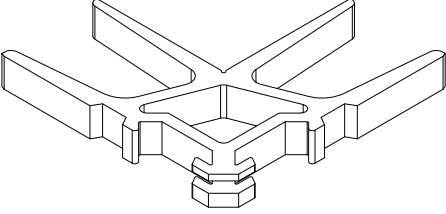
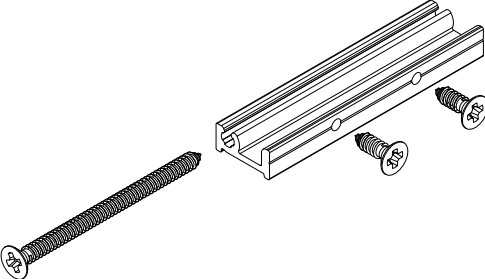
VG500

| AFBEELDING IMAGE BILD PICTURE | OMSCHRIJVING DESCRIPTION BESCHREIBUNG DESCRIPTION | TOEPASSING APLPLICATION ANWENDUNG APPLICATION | VERP.PER EMB.PAR PACK PR. PACK PR. |
|---|---|--|---|
|  | <p>ACVG316</p> <p>ONDERBOUW RUBBER JOINT DE SUPPORT STUETZDICHTUNG SUPPORT GASKET</p> | <p>VG618 VG619</p> | <p>25 M</p> |
|  | <p>ACVG318</p> <p>ONDERBOUW RUBBER JOINT DE SUPPORT STUETZDICHTUNG SUPPORT GASKET</p> | <p>VG518 VG511N VG718</p> | <p>25 M</p> |
|  | <p>ACVG319</p> <p>ONDERBOUW RUBBER JOINT DE SUPPORT STUETZDICHTUNG SUPPORT GASKET</p> | <p>VG518 VG511N VG718</p> | <p>25 M</p> |
|  | <p>ACVG340N</p> <p>BINNENBEGLAZINGSDICHTING JOINT DE VITRAGE INTERIEUR INNENVERGLASUNGSDICHTUNG INNER GLAZING GASKET</p> <p>6 MM</p> | <p>VG520N VG521N ...</p> | <p>100 M</p> |
|  | <p>ACVG341N</p> <p>BINNENBEGLAZINGSDICHTING JOINT DE VITRAGE INTERIEUR INNENVERGLASUNGSDICHTUNG INNER GLAZING GASKET</p> <p>7 MM</p> | <p>VG520N VG521N ...</p> | <p>100 M</p> |

| AFBEELDING IMAGE BILD PICTURE | OMSCHRIJVING DESCRIPTION BESCHREIBUNG DESCRIPTION | TOEPASSING APPLICATION ANWENDUNG APPLICATION | VERP.PER EMB.PAR PACK PR. PACK PR. |
|---|---|---|---|
|  | <p>ACVG509</p> <p>PERSHOEK ÉQUERRE À SERTIR PRESSECKWINKEL CRIMP CORNER CLEAT</p> | <p>VG510 VG511N ...</p> | <p>24</p> |
|  | <p>ACVG510X</p> <p>HOEKVERBINDER ÉQUERRE ECKVERBINDER CORNER CLEAT</p> | <p>VG510 VG511N ...</p> | <p>24</p> |
|  | <p>ACVG512</p> <p>T-VERBINDER VOOR VG522 - VG521N JONCTION-T POUR VG522 - VG521N T-VERBINDER FÜR VG522 - VG521N T-BRACKET FOR VG522 - VG521N</p> | <p>VG522 VG521N</p> | <p>8</p> |
|  | <p>ACVG515</p> <p>T-VERBINDER JONCTION-T T-VERBINDER T-BRACKET</p> | <p>VG516 VG510</p> | <p>4</p> |
|  | <p>ACVG515N</p> <p>T-VERBINDER JONCTION-T T-VERBINDER T-BRACKET</p> | <p>VG516 VG518</p> | <p>4</p> |

VG500

| AFBEELDING IMAGE BILD PICTURE | OMSCHRIJVING DESCRIPTION BESCHREIBUNG DESCRIPTION | TOEPASSING APLPLICATION ANWENDUNG APPLICATION | VERP.PER EMB.PAR PACK PR. PACK PR. |
|---|---|--|---|
|  | <p>ACVG516</p> <p>STEUNBLOK SUPPORT STUETZKLOTZ SUPPORTING PIECE</p> | <p>VG516 VG510</p> | <p>1</p> |
|  | <p>ACVG516N</p> <p>STEUNBLOK SUPPORT STUETZKLOTZ SUPPORTING PIECE</p> | <p>VG516 VG518</p> | <p>1</p> |
|  | <p>ACVG518N</p> <p>EINDSTUK PIECE FINALE ENDKAPPE END PART</p> | <p>VG530 VG516</p> | <p>1</p> |
|  | <p>ACVG519</p> <p>EINDSTUKKEN BODEMPROFIEL PIECES FINALES PROFILE DE SEUIL ENDKAPPEN SCHWELLE END PIECES FLOOR PROFILE</p> | <p>VG554</p> | <p>1</p> |
|  | <p>ACVG520N</p> <p>PERSHOEK ÉQUERRE À SERTIR PRESSECKWINKEL CRIMP CORNER CLEAT</p> | <p>VG520N VG820N</p> | <p>24</p> |

| AFBEELDING IMAGE BILD PICTURE | OMSCHRIJVING DESCRIPTION BESCHREIBUNG DESCRIPTION | TOEPASSING APPLICATION ANWENDUNG APPLICATION | VERP.PER EMB.PAR PACK PR. PACK PR. |
|---|---|---|---|
|  | <p>ACVG520NX</p> <p>HOEKVERBINDER ÉQUERRE ECKVERBINDER CORNER CLEAT</p> | <p>VG520N VG820N</p> | <p>24</p> |
|  | <p>ACVG520</p> <p>VERSTEKHOEKJE IN INOX ÉQUERRE DE JONCTION EN INOX ECKVERSTÄRKUNG IN INOX FRAMING SQUARE IN STAINLESS STEEL</p> | <p>VG510 VG511N VG520N ...</p> | <p>100</p> |
|  | <p>ACVG521N</p> <p>PERSHOEK ÉQUERRE À SERTIR PRESSECKWINKEL CRIMP CORNER CLEAT</p> | <p>VG521N</p> | <p>24</p> |
|  | <p>ACVG521NX</p> <p>HOEKVERBINDER ÉQUERRE ECKVERBINDER CORNER CLEAT</p> | <p>VG521N</p> | <p>24</p> |
|  | <p>ACVG522</p> <p>T-VERBINDER VOOR VG522 - VG520N JONCTION-T POUR VG522 - VG520N T-VERBINDER FÜR VG522 - VG520N T-BRACKET FOR VG522 - VG520N</p> | <p>VG522 VG520N</p> | <p>8</p> |

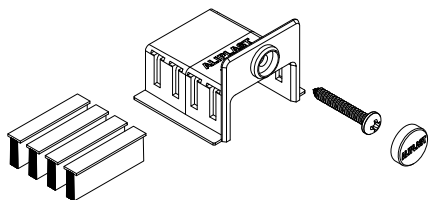
VG500

AFBEELDING
IMAGE
BILD
PICTURE

OMSCHRIJVING
DESCRIPTION
BESCHREIBUNG
DESCRIPTION

TOEPASSING
APPLICATION
ANWENDUNG
APPLICATION

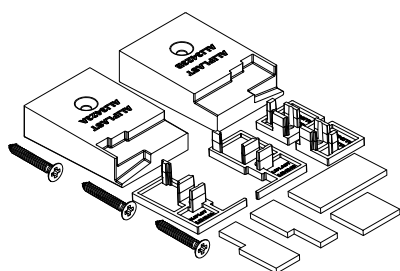
VERP.PER
EMB.PAR
PACK PR.
PACK PR.



ACVG525

SLUITSTUK
GACHE
SCHLIESSSTUECK
LOCK PLATE

VG522 2
VG523
V524



ACVG526

EINDSTUK STOLPPROFIEL VG522
PIECE FINAL PROFILE DOUBLE OUVRANT VG522
ENDKAPPE STULPPROFIL VG522
END PART DOUBLE CASEMENT PROFILE VG522

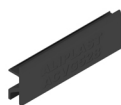
VG522 1
VG521N



ACVG527

STOOTBUFFER SLOTZIJDE
BUTEE CÔTÉ SERRURE
STOPPER SCHLOSSEITE
BUFFER LOCK SITE

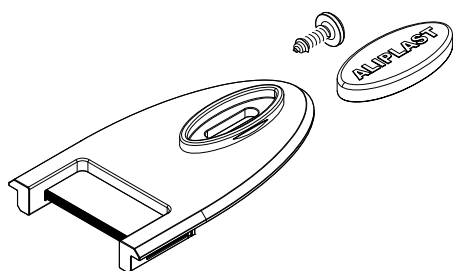
VG520N 1



ACVG528

AFSTANDSSTUK
PIECE D'ECARTEMENT
Distanzstueck
DISTANCE PIECE

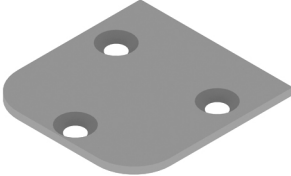
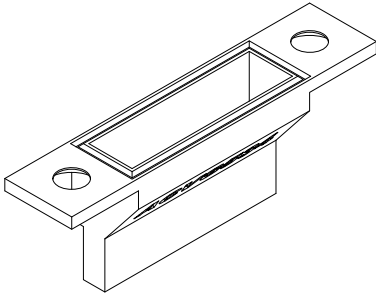



VG520N 50
VG521N



ACVG531

SLUITSTUK RAILDOORGANG
CLOSOIR PASSAGE RAIL
ABDECKKAPPE
CENTRAL PLUG

VG530 2

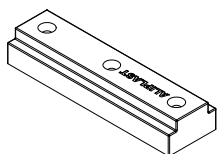
| AFBEELDING IMAGE BILD PICTURE | OMSCHRIJVING DESCRIPTION BESCHREIBUNG DESCRIPTION | TOEPASSING APPLICATION ANWENDUNG APPLICATION | VERP.PER EMB.PAR PACK PR. PACK PR. |
|---|---|---|---|
|  | <p>ACVG532</p> <p>AFDEKPLAAT TÔLES DE RECOUVREMENT ABDECKPLATTE COVER PLATE</p> | <p>VG532 VG533</p> | <p>1</p> |
|  | <p>ACVG534</p> <p>WATERGELEIDINGSSTUK VLEUGEL PIECE DE DRAINAGE VANTAIL WASSERFUHRUNGSSTÜCK FLÜGEL WATER GUIDING PIECE VENT</p> | <p>VG520N VG521N</p> | <p>10</p> |
|  | <p>ACVG542N</p> <p>WRIJVINGSLOZE VLEUGELDICHINGSRUBBER JOINT D'ÉTANCHÉITÉ SANS FRICTION ABDICHTUNGSGUMMI OHNE FRIKTION FRICTIONLESS GASKET</p> | <p>VG520N VG521N VG542 ...</p> | <p>100 M</p> |
|  | <p>ACVG543</p> <p>EINDSTUK STOLPPROFIEL PIECE FINALE PROFILE DOUBLE OUVRANT ENDKAPPE STULPPROFIL END PART DOUBLE CASEMENT PROFILE</p> | <p>VG542 VG543</p> | <p>1</p> |
|  | <p>ACVG545</p> <p>INBRAAKBEVEILIGING PIECE D'ANTI-VOL EINBRUCHSICHERUNG SECURITY DEVICE</p> | <p>VG520N</p> | <p>1</p> |

VG500

AFBEELDING
IMAGE
BILD
PICTURE

OMSCHRIJVING
DESCRIPTION
BESCHREIBUNG
DESCRIPTION

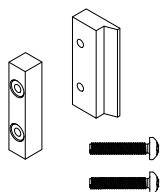
TOEPASSING VERP.PER
APLPLICATION EMB.PAR
ANWENDUNG PACK PR.
APPLICATION PACK PR.



ACVG547

10

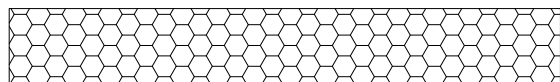
ANTI - UITHEFBLOK
ANTI - DÉGONDAGE
ANTI - AUFHEBENSTÜCK
ANTI - LIFT UP PIECE



ACVG548

1

VERSTEVIJING WISSELPROFIEL
RENFORCEMENT CHICANE
VERSTÄRKUNG WECHSELPROFIL
REINFORCEMENT MEETING SECTION



ACVG550PL

VG550

20

ZELFKLEVENDE ISOLATIE STRIP 73 X 10
AUTOCOLLANTE ISOLATION BARRE 73 X 10
SELBSTKLEBEND ISOLATION STRIP 73 X 10
SELF ADHESIVE INSULATION STRIP 73 X 10

2 m



ACVG557N

VG520N

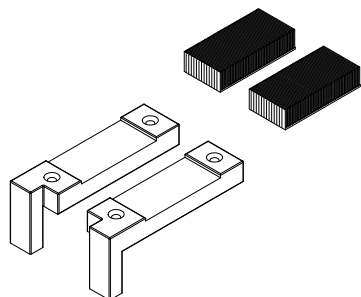
50

VG521N

VG525N

VG526N

GLASSTEUN
SUPPORT CALE DE VITRAGE
GLASAUFLAGEPROFIL
GLASS SUPPORT



ACVG563

1

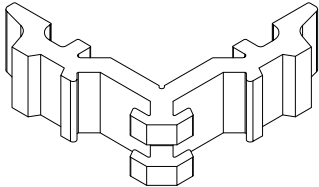
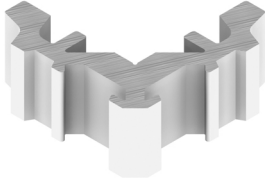
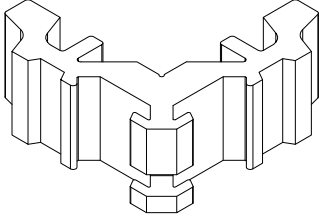
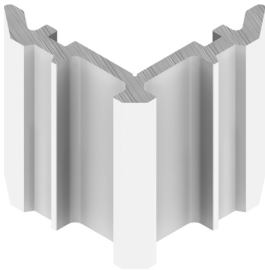
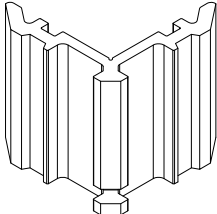
VG555


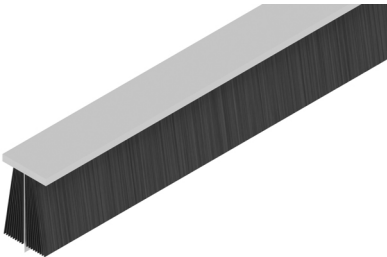

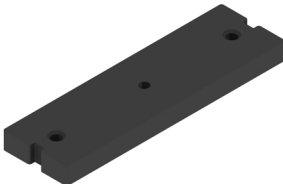
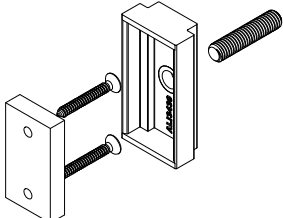
VG519

AFDICHTING
FERMETURE
ABDICHTUNG
CLOSER

| AFBEELDING IMAGE BILD PICTURE | OMSCHRIJVING DESCRIPTION BESCHREIBUNG DESCRIPTION | TOEPASSING APPLICATION ANWENDUNG APPLICATION | VERP.PER EMB.PAR PACK PR. PACK PR. |
|--|---|---|---|
| | <p>ACVG564</p> <p>EINDSTUK STOLPPROFIEL PIECE FINALE PROFILE DOUBLE OUVRANT ENDKAPPE STULPPROFIL END PART DOUBLE CASEMENT PROFILE</p> | <p>VG542 + VG516</p> | <p>1</p> |
| | <p>ACVG575</p> <p>AFSTANDSSTUK PIECE D'ECARTEMENT Distanzstueck DISTANCE PIECE</p> | <p>UG050 VG575</p> | <p>20</p> |
| | <p>ACVG580</p> <p>BEVESTIGING VOOR DOORLOPENDE SLUITLAT CONTRE-PLAQUE POUR GACHE CONTINUE BEFESTIGUNGSPLATTE FÜR KONTINUIERLICHE SCHLISSLATTE FASTENING PLATE FOR CONTINUOUS WEDGE</p> | <p>VG542</p> | <p>1</p> |
| | <p>ACVG583</p> <p>BEVESTIGING VOOR SLUITLAT CONTRE-PLAQUE POUR GACHE BEFESTIGUNGSPLATTE FÜR SCHLISSLATTE FASTENING PLATE FOR WEDGE</p> <p>(ACVG542+ACSZ101)</p> | <p>VG542</p> | <p>1</p> |
| | <p>ACVG610X</p> <p>HOEKVERBINDER ÉQUERRE ECKVERBINDER CORNER CLEAT</p> | <p>VG610</p> | <p>24</p> |

VG500

| AFBEELDING IMAGE BILD PICTURE | OMSCHRIJVING DESCRIPTION BESCHREIBUNG DESCRIPTION | TOEPASSING APLPLICATION ANWENDUNG APPLICATION | VERP.PER EMB.PAR PACK PR. PACK PR. |
|---|--|--|---|
|  | <p>ACVG611BX</p> <p>HOEKVERBINDER ÉQUERRE ECKVERBINDER CORNER CLEAT</p> | <p>VG610 VG617 VG618</p> | <p>24</p> |
|  | <p>ACVG617</p> <p>PERSHOEK ÉQUERRE À SERTIR PRESSECKWINKEL CRIMP CORNER CLEAT</p> | <p>VG517 VG518 VG810N ...</p> | <p>24</p> |
|  | <p>ACVG617X</p> <p>HOEKVERBINDER ÉQUERRE À VISSER SCHRAUBECKWINKEL SCREW CORNER CLEAT</p> | <p>VG517 VG518 VG810N ...</p> | <p>24</p> |
|  | <p>ACVG618</p> <p>PERSHOEK ÉQUERRE À SERTIR PRESSECKWINKEL CRIMP CORNER CLEAT</p> | <p>VG618</p> | <p>24</p> |
|  | <p>ACVG618X</p> <p>HOEKVERBINDER ÉQUERRE ECKVERBINDER CORNER CLEAT</p> | <p>VG618</p> | <p>24</p> |

| AFBEELDING IMAGE BILD PICTURE | OMSCHRIJVING DESCRIPTION BESCHREIBUNG DESCRIPTION | TOEPASSING APPLICATION ANWENDUNG APPLICATION | VERP.PER EMB.PAR PACK PR. PACK PR. |
|---|---|---|---|
|  | <p>ACVG620</p> <p>VULSTUK PIECE DE REMPLISSAGE FUTTERSTUCK FILLING PIECE</p> | VG619 | 10 |
|  | <p>ACVG642</p> <p>BORSTELDICHTING (QUIETFIN) JOINT-BROSSE (QUIETFIN) BUERSTENDICHTUNG (QUIETFIN) WOOLPILE (QUIETFIN)</p> | VG520N VG521N | 100 |
|  | <p>ACVG644</p> <p>VLEUGELSTEUN SUPPORT DE VANTAIL FLUEGELUNTERSTUETZUNG VENT SUPPORT</p> | VG520N VG521N | 10 |
|  | <p>ACVG645N</p> <p>VLEUGELSTEUN SUPPORT DE VANTAIL FLUEGELUNTERSTUETZUNG VENT SUPPORT</p> | VG521N | 2 |
|  | <p>ACVG646</p> <p>REGELING SET VASTE SCHUIFVLEUGEL OUTIL DE REGLAGE VANTAIL COULISSANT FIX EINSTELLTEILESATZ FESTER FLUGEL SCHIEBE- TUR ADJUSTER KIT FIXED SLIDEVENT</p> | VG520N | 10 |

VG500

AFBEELDING
IMAGE
BILD
PICTURE

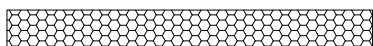
OMSCHRIJVING
DESCRIPTION
BESCHREIBUNG
DESCRIPTION

TOEPASSING
APPLICATION
ANWENDUNG
APPLICATION

VERP.PER
EMB.PAR
PACK PR.
PACK PR.

ACVG650

VG650 20

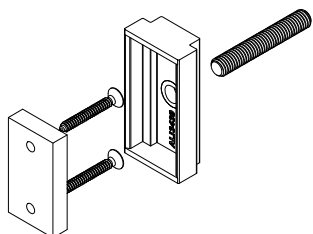


ZELFKLEVENDE ISOLATIE STRIP 97 X 10
AUTOCOLLANTE ISOLATION BARRE 97 X 10
SELBSTKLEBEND ISOLATION STRIP 97X 10
SELF ADHESIVE INSULATION STRIP 97 X 10

2 m

ACVG647

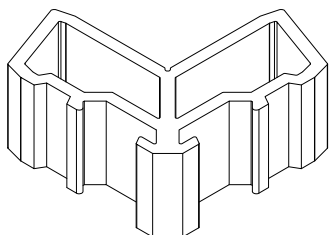
VG521N 10



REGLINGS SET VASTE HEFSCHUIFVLEUGEL
OUTIL DE REGLAGE VANTAIL COULISSANT-LEVANT
FIX
EINSTELLTEILESATZ FESTER FLUGEL HEBE-
SCHIEBETUR
ADJUSTER KIT FIXED LIFTSLIDEVENT

ACVG718

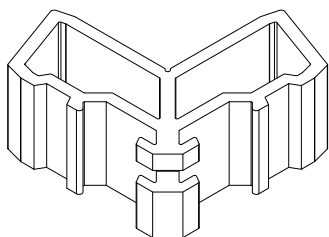
VG718 2



PERSHOEK
ÉQUERRE À SERTIR
PRESSECKWINKEL
CRIMP CORNER CLEAT

ACVG718X

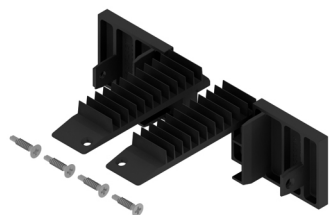
VG718 2




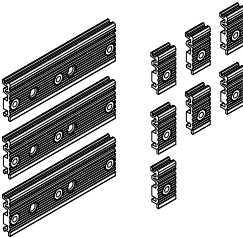

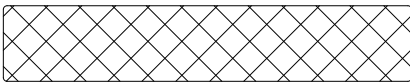
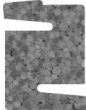
HOEKVERBINDER
ÉQUERRE
ECKVERBINDER
CORNER CLEAT

ACVG730


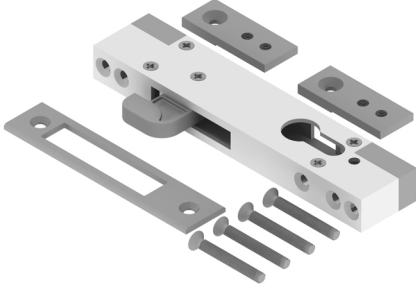
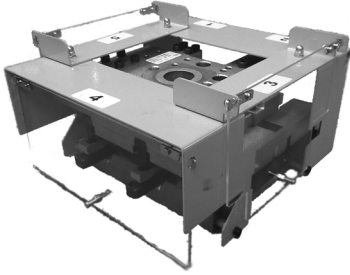


VG711 1

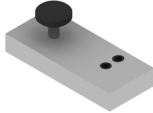
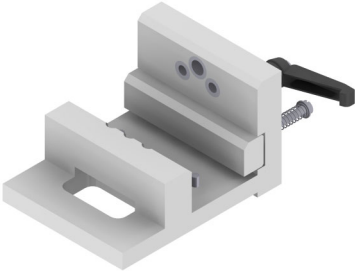
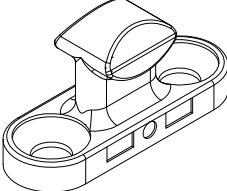
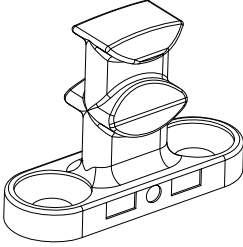
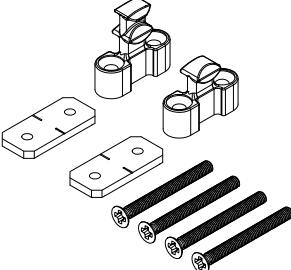


AFDICHTING
FERMETURE
ABDICHTUNG
CLOSER

| AFBEELDING IMAGE BILD PICTURE | OMSCHRIJVING DESCRIPTION BESCHREIBUNG DESCRIPTION | TOEPASSING APLPLICATION ANWENDUNG APPLICATION | VERP.PER EMB.PAR PACK PR. PACK PR. |
|---|---|--|---|
|  | <p>ACVG740</p> <p>BASISSET 4-SLAG SET DE BASE 4 VANTAUX GRUNDKARTON 4 FLUEGEL BASIC SET DOOR 4 DOOR</p> | VG542 | 20 |
|  | <p>ACVG780</p> <p>BASISSET SCHUIFDEUR SET DE BASE COULISSANT GRUNDKARTON SCHIEBETUER BASIC SET SLIDING DOOR</p> | VG520N VG521N | 1 |
|  | <p>ACVG800</p> <p>ISOLERENDE STRIP COUVRE-JOINT ISOLANT ISOLIERSTREIFEN INSULATING STRIP</p> | VG520N VG521N | 100 M |
|  | <p>ACVG818</p> <p>ISOLERENDE STRIP COUVRE-JOINT ISOLANT ISOLIERSTREIFEN INSULATING STRIP</p> <p>L = 2 M</p> | VG718 | 1 |
|  | <p>ACVG820</p> <p>ISOLEREND VULSTUK PIECE DE REMPLISSAGE ISOLEE ISOLIERENDES FUELLSTUECK INSULATING FILLING PIECE</p> <p>L = 1 M</p> | VG520N VG521N | 60 |

VG500

| AFBEELDING IMAGE BILD PICTURE | OMSCHRIJVING DESCRIPTION BESCHREIBUNG DESCRIPTION | TOEPASSING APLPLICATION ANWENDUNG APPLICATION | VERP.PER EMB.PAR PACK PR. PACK PR. |
|---|--|--|---|
|  | <p>ACVG830</p> <p>ZELFKLEVENDE ISOLATIE STRIP AUTOCOLLANTE ISOLATION BARRE SELBSTKLEBEND ISOLATION STRIP SELF ADHESIVE INSULATION STRIP</p> | VG530 | 2 M |
|  | <p>ACVG873</p> <p>HAAKSLOT EN SLOTPAD SERRURE A CROCHET ET GACHE HAKENSCHLOSS UND SCHLIESSBLECH HOOK LOCK UND RECEIVER</p> | VG820N VG520N | 1 |
|  | <p>ACVG900</p> <p>PONSUNIT UNITE D'ETAMPER STANZEINHEIT PUNCH UNIT</p> | | 1 |
|  | <p>ACVG950</p> <p>BOORMAL T-VERBINDING GABARIT RACCORDEMENT-T BOHRLEHRE T-VERBINDUNG BORING JIG T-CONNECTION</p> | VG516 | 1 |
|  | <p>ACVG951</p> <p>BOORMAL T-VERBINDING GABARIT RACCORDEMENT-T BOHRLEHRE T-VERBINDUNG BORING JIG T-CONNECTION</p> | VG510 | 1 |

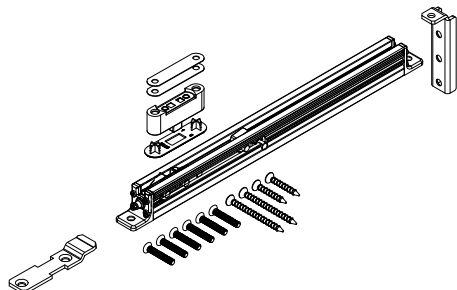
| AFBEELDING IMAGE BILD PICTURE | OMSCHRIJVING DESCRIPTION BESCHREIBUNG DESCRIPTION | TOEPASSING APPLICATION ANWENDUNG APPLICATION | VERP.PER EMB.PAR PACK PR. PACK PR. |
|---|--|---|---|
|  | <p>ACVG952</p> <p>BOORMAL ONTWATERING GABARIT DRAINAGE BOHRLEHRE ENTWAESSERUNG BORING JIG DRAINAGE</p> | <p>VG512 VG513N VG612</p> | <p>1</p> |
|  | <p>ACVG953</p> <p>BOORMAL ONTWATERING GABARIT DRAINAGE BOHRLEHRE ENTWAESSERUNG BORING JIG DRAINAGE</p> | <p>VG510 VG511N VG518 ...</p> | <p>1</p> |
|  | <p>ACVG1220</p> <p>BIJKOMEND SLOTPAD HS - VG500 GACHE SUPPLEMENTAIRE HS - VG500 ZUSÄTZLICHES SCHLIESSBLECH HS - VG500 SUPPLEMENTARY RECEIVER HS - VG500</p> | <p>VG510 VG511N VG518 ...</p> | <p>1</p> |
|  | <p>ACVG1222</p> <p>KIERSTAND HS - VG500 POSITION D'OBTURATION HS - VG500 SPLATPOSITION HS - VG500 SLIT POSITION HS - VG500</p> | <p>VG510 VG511N VG518 ...</p> | <p>1</p> |
|  | <p>ACVG1240</p> <p>BASISSET 4-SLAG HEFSCHUIF SET DE BASE 4 VANTAUX GRUNDKARTON 4 FLUEGEL BASIC SET 4 DOOR</p> | <p>VG542 ...</p> | <p>1</p> |

VG500

AFBEELDING
IMAGE
BILD
PICTURE

OMSCHRIJVING
DESCRIPTION
BESCHREIBUNG
DESCRIPTION

TOEPASSING APLPLICATION
VERP.PER EMB.PAR
ANWENDUNG PACK PR.
APPLICATION PACK PR.

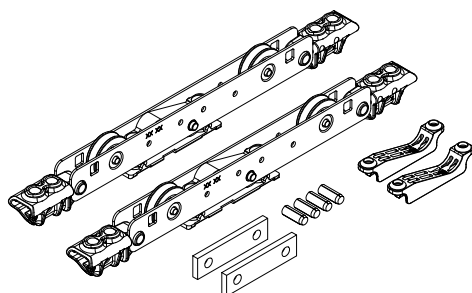


ACVG1273

1

SAFETY STOP

< 300 KG



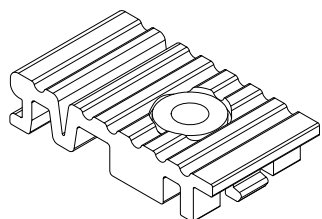
ACVG1274N

ACVG1280N

1

TANDEMLOOPWAGEN HS - VG500
DOUBLE BOGIE HS - VG500
TANDEMLAUFWAGEN HS - VG500
DOUBLE ROLLING BLOCK HS - VG500

<300 KG (HS - VG500)

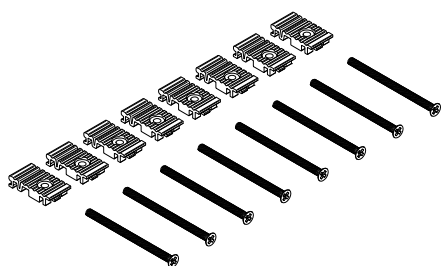


ACVG1275

ACVG1280

20

BEVESTIGINGSTUKJES HS - VG500
PIECES DE MONTAGE HS - VG500
BEFESTIGUNGSZUBEHÖR - HS - VG500
MOUNTING PIECES - HS - VG500

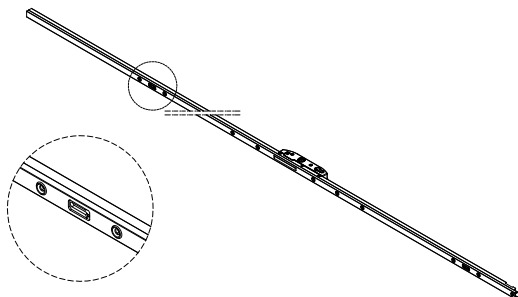


ACVG1276

VG542

1

BEVESTIGINGSSET
SET POUR FIXATION
SET ZUR BEFESTIGUNG
FIXATION SET



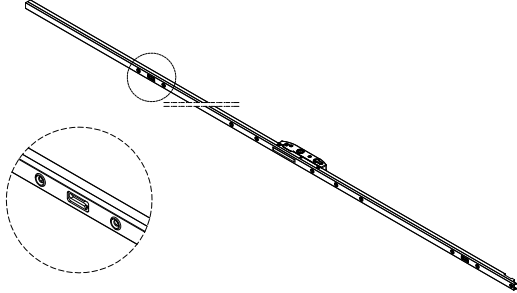
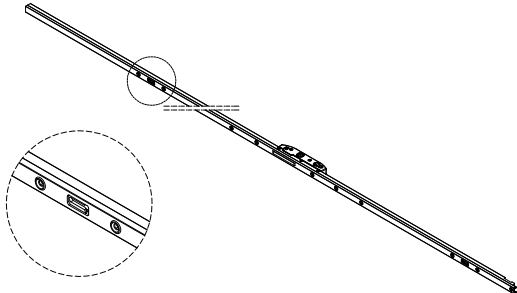
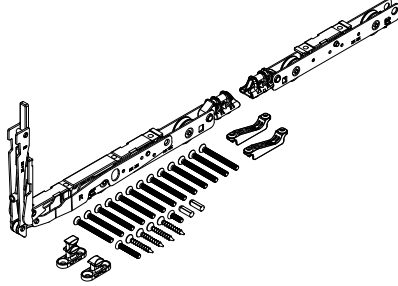
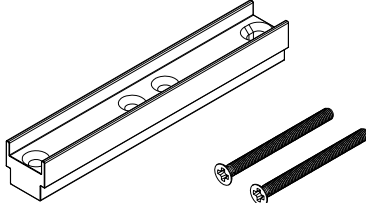
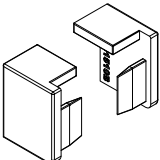
ACVG1277

VG521N

1

SLOTVERBRENGING HS - VG500
TRANSMISSION DE SERRURE HS - VG500
GETRIEBE HS - VG500
ESPAG HS - VG500

FH = 1897 - 2196 MM

| AFBEELDING IMAGE BILD PICTURE | OMSCHRIJVING DESCRIPTION BESCHREIBUNG DESCRIPTION | TOEPASSING APPLICATION ANWENDUNG APPLICATION | VERP.PER EMB.PAR PACK PR. PACK PR. |
|---|---|---|---|
|  | <p>ACVG1278</p> <p>SLOTOVERBRENGING HS - VG500 TRANSMISSION DE SERRURE HS - VG500 GETRIEBE HS - VG500 ESPAG HS - VG500</p> <p>FH = 2197 - 2496 MM</p> | VG521N | 1 |
|  | <p>ACVG1279</p> <p>SLOTOVERBRENGING HS - VG500 TRANSMISSION DE SERRURE HS - VG500 GETRIEBE HS - VG500 ESPAG HS - VG500</p> <p>FH = 2497 - 2796 MM</p> | VG521N | 1 |
|  | <p>ACVG1280N</p> <p>BASISPAKKET VOOR HEF-SCHUIF VLEUGEL PAQUET DE BASE POUR PORTE A LEVAGE GRUNDKARTON FÜR HEBE-SCHIEBE FLUGEL BASIC SET LIFT-SLIDE VENT</p> <p>< 250 kg (HS - VG500)</p> | VG521N | 1 |
|  | <p>ACVG1282N</p> <p>ONDERVULLING SUPPORT FUELSTUECK SUPPORT</p> | VG521N | 10 |
|  | <p>ACVG1510</p> <p>EINDSTUK AANSLUITINGSPROFIEL VLOER PIECE FINALE PROFILE DE RACCORDEMENT AU SOL ENDKAPPE WANDANSCHLUSSPROFIL UNTEN END PART CONNECTION PROFILE FLOOR</p> | VG1510 | 10 |

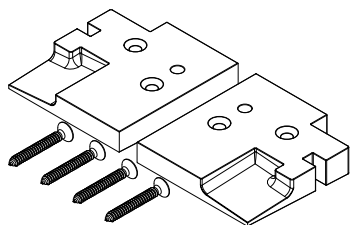
VG500

AFBEELDING
IMAGE
BILD
PICTURE

OMSCHRIJVING
DESCRIPTION
BESCHREIBUNG
DESCRIPTION

TOEPASSING
APLPLICATION
ANWENDUNG
APPLICATION

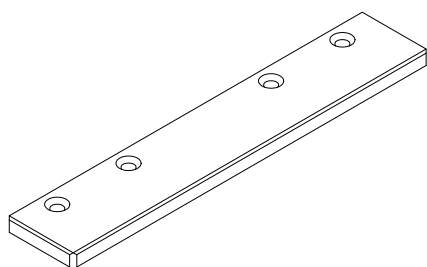
VERP.PER
EMB.PAR
PACK PR.
PACK PR.



ACVG1516

STEUNBLOK
SUPPORT
STUETZKLOTZ
SUPPORTING PIECE

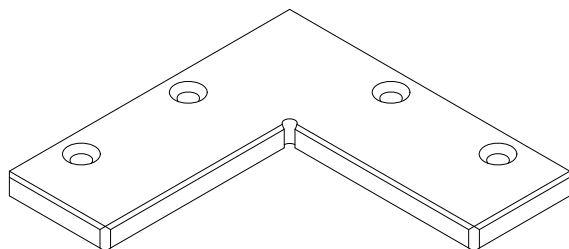
VG516 1
VG718



ACVG2018

KOPPELSTUK
PIECE DE RACCORDEMENT
KOPPLUNGSSTUECK
CONNECTION PIECE

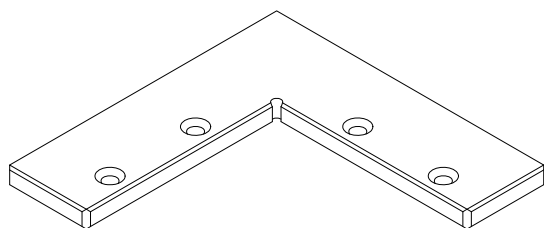
VG518 1
VG611N



ACVG2090

KOPPELSTUK HOEK
PIECE DE RACCORDEMENT COIN
KOPPLUNGSSTUECK WINKEL
CONNECTION PIECE CORNER

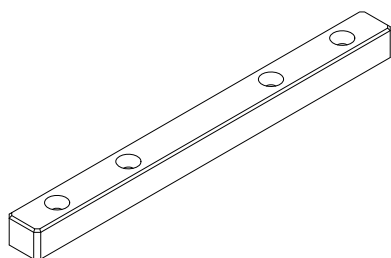
VG518 1
VG611N



ACVG2190

KOPPELSTUK HOEK
PIECE DE RACCORDEMENT COIN
KOPPLUNGSSTUECK WINKEL
CONNECTION PIECE CORNER

VG518 1
VG611N



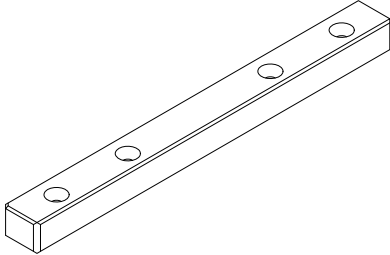
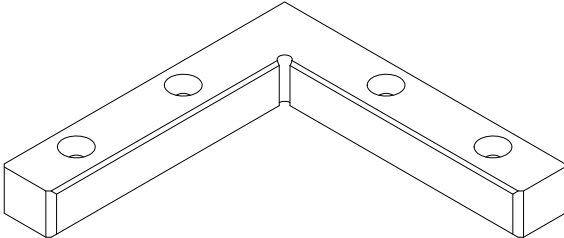
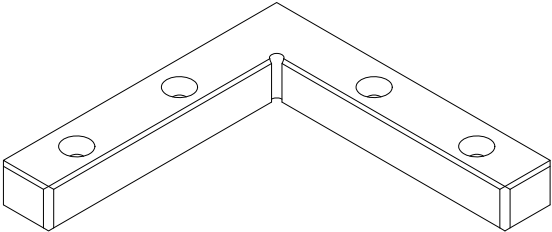
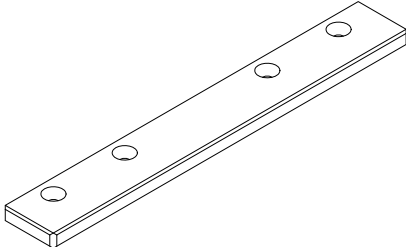
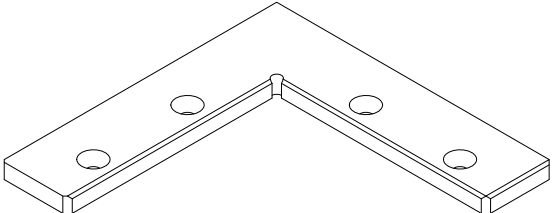
ACVG2218

KOPPELSTUK
PIECE DE RACCORDEMENT
KOPPLUNGSSTUECK
CONNECTION PIECE

VG510 1
VG511N
VG611N

| AFBEELDING IMAGE BILD PICTURE | OMSCHRIJVING DESCRIPTION BESCHREIBUNG DESCRIPTION | TOEPASSING APPLICATION ANWENDUNG APPLICATION | VERP.PER EMB.PAR PACK PR. PACK PR. |
|--|---|---|---|
| | <p>ACVG2277</p> <p>SLOTOVERBRENGING HS - VG500 TRANSMISSION DE SERRURE HS - VG500 GETRIEBE HS - VG500 ESPAG HS - VG500</p> <p>(INVISO)</p> <p>FH = 1897 - 2196 MM</p> | VG521N | 1 |
| | <p>ACVG2278</p> <p>SLOTOVERBRENGING HS - VG500 TRANSMISSION DE SERRURE HS - VG500 GETRIEBE HS - VG500 ESPAG HS - VG500</p> <p>(INVISO)</p> <p>FH = 2197 - 2496 MM</p> | VG521N | 1 |
| | <p>ACVG2279</p> <p>SLOTOVERBRENGING HS - VG500 TRANSMISSION DE SERRURE HS - VG500 GETRIEBE HS - VG500 ESPAG HS - VG500</p> <p>(INVISO)</p> <p>FH = 2497 - 2796 MM</p> | VG521N | 1 |
| | <p>ACVG2280N</p> <p>BASISSET HEFSCHUIFDEUR SET DE BASE SOULEV. COULISSANT GRUNDKARTON HEBESCHIEBETUER BASIC SET LIFT AND SLIDING DOOR</p> <p>< 250 kg (HS - VG500) (INVISO)</p> | VG521N | 1 |
| | <p>ACVG2290</p> <p>KOPPELSTUK HOEK PIECE DE RACCORDEMENT COIN KOPPLUNGSSTUECK WINKEL CONNECTION PIECE CORNER</p> | VG510 VG511N VG611N | 1 |

VG500

| AFBEELDING IMAGE BILD PICTURE | OMSCHRIJVING DESCRIPTION BESCHREIBUNG DESCRIPTION | TOEPASSING APLPLICATION ANWENDUNG APPLICATION | VERP.PER EMB.PAR PACK PR. PACK PR. |
|---|---|--|---|
|  | ACVG2618 KOPPELSTUK PIECE DE RACCORDEMENT KOPPLUNGSSTUECK CONNECTION PIECE | VG618 VG619 | 1 |
|  | ACVG2627 KOPPELSTUK HOEK PIECE DE RACCORDEMENT COIN KOPPLUNGSSTUECK WINKEL CONNECTION PIECE CORNER | VG618 VG619 | 1 |
|  | ACVG2690 KOPPELSTUK HOEK PIECE DE RACCORDEMENT COIN KOPPLUNGSSTUECK WINKEL CONNECTION PIECE CORNER | VG618 VG619 | 1 |
|  | ACVG2718 KOPPELSTUK PIECE DE RACCORDEMENT KOPPLUNGSSTUECK CONNECTION PIECE | VG516 | 1 |
|  | ACVG2727 KOPPELSTUK HOEK PIECE DE RACCORDEMENT COIN KOPPLUNGSSTUECK WINKEL CONNECTION PIECE CORNER | VG516 | 1 |

| AFBEELDING IMAGE BILD PICTURE | OMSCHRIJVING DESCRIPTION BESCHREIBUNG DESCRIPTION | TOEPASSING APPLICATION ANWENDUNG APPLICATION | VERP.PER EMB.PAR PACK PR. PACK PR. |
|--|---|---|---|
| | <p>ACVG2790</p> <p>KOPPELSTUK HOEK PIECE DE RACCORDEMENT COIN KOPPLUNGSSTUECK WINKEL CONNECTION PIECE CORNER</p> | VG516 | 1 |
| | <p>ACVG2818</p> <p>KOPPELSTUK PIECE DE RACCORDEMENT KOPPLUNGSSTUECK CONNECTION PIECE</p> | VG516 | 1 |
| | <p>ACVG2827</p> <p>KOPPELSTUK HOEK PIECE DE RACCORDEMENT COIN KOPPLUNGSSTUECK WINKEL CONNECTION PIECE CORNER</p> | VG516 | 1 |
| | <p>ACVG2890</p> <p>KOPPELSTUK HOEK PIECE DE RACCORDEMENT COIN KOPPLUNGSSTUECK WINKEL CONNECTION PIECE CORNER</p> | VG516 | 1 |
| | <p>ACVG3618</p> <p>KOPPELSTUK PIECE DE RACCORDEMENT KOPPLUNGSSTUECK CONNECTION PIECE</p> | VG618 VG619 | 1 |

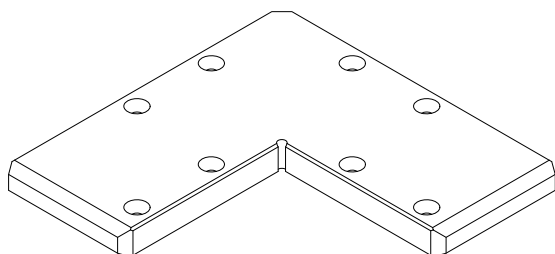
VG500

AFBEELDING
IMAGE
BILD
PICTURE

OMSCHRIJVING
DESCRIPTION
BESCHREIBUNG
DESCRIPTION

TOEPASSING
APLPLICATION
ANWENDUNG
APPLICATION

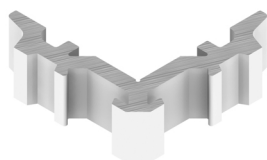
VERP.PER
EMB.PAR
PACK PR.
PACK PR.



ACVG3690

KOPPELSTUK HOEK
PIECE DE RACCORDEMENT COIN
KOPPLUNGSSTUECK WINKEL
CONNECTION PIECE CORNER

VG618 1
VG619



ACEF010B

PERSHOEK
ÉQUERRE À SERTIR
PRESSECKWINKEL
CRIMP CORNER CLEAT

VG610 24
VG618



ACEF350

AFDICHTINGSBAND
MEMBRANE D'ÉTANCHÉITÉ
ABDICHTUNGSBAHN
SEALING SHEET

EPDM

20 M



ACFT075

KOPPELINGSRUBBER
JOINT DE JONCTION
KUPPLUNGSDICHTUNG
LINKING GASKET

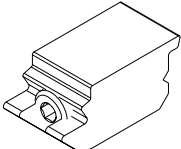
50 M



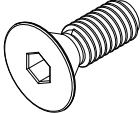
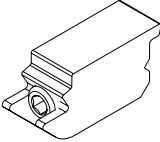
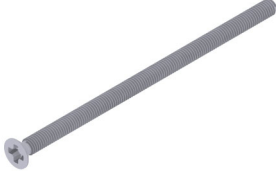
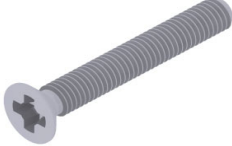

ACFT076

KOPPELINGSRUBBER
JOINT DE JONCTION
KUPPLUNGSDICHTUNG
LINKING GASKET

100 M

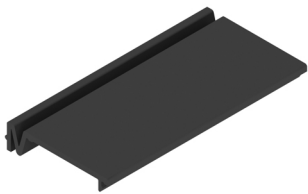
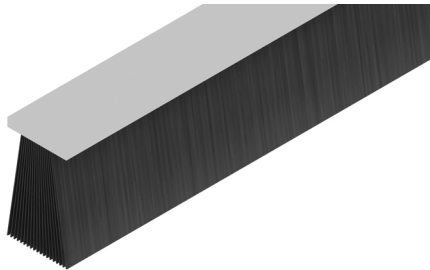
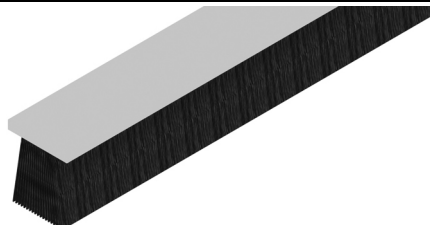
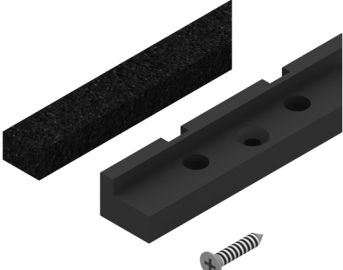
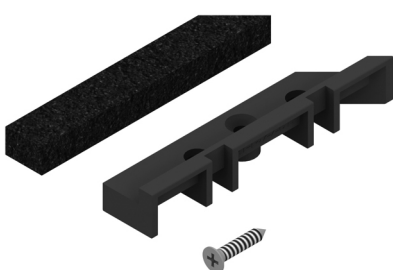
| AFBEELDING IMAGE BILD PICTURE | OMSCHRIJVING DESCRIPTION BESCHREIBUNG DESCRIPTION | TOEPASSING APPLICATION ANWENDUNG APPLICATION | VERP.PER EMB.PAR PACK PR. PACK PR. |
|---|---|--|---|
|  | <p>ACFT171</p> <p>KLEMSTUK VOOR AFWERKINGSPROFIELEN CLIP POUR PROFILES DE FINITION BEFESTIGUNGSKLOTZ FÜR ZUSATZPROFILE CLIP FOR FINISHING PROFILES</p> | | <p>1 1000</p> |
|  | <p>ACGSL045</p> <p>AFDEKKAP WATERAFVOERSLEUVEN CAPUCHON DRAINAGE D'EAU ABDECKKAPPE ENTWAESSERUNG WEEP HOLE COVER</p> | | <p>100</p> |
|  | <p>ACGSL057</p> <p>VENTIEL CLAPET VALVE CAP VENTILKLAPPE</p> <p>(PVC)</p> | | <p>10</p> |
|  | <p>ACGT029</p> <p>VERSTEVIGINGSSTUKJE VOOR T-VERBINDING PIÈCE RENFORCEMENT POUR RACCORDEMENT-T VERSTÄRKUNG STÜCK FÜR T-VERBINDUNG STRENGTHENING PIECE FOR T-CONNECTION</p> | <p>UG620 UG025 UG026 UG027</p> | <p>50</p> |
|  | <p>ACMX853</p> <p>SCHROEFBLOKJE 11MM CLAVET 11MM SCHRAUBEBLOCK 11MM CLEAT TENSIONING BLOCK 11MM</p> | <p>ACVG510X ACVG610X ACVG617X ACVG618X</p> | <p>48</p> |


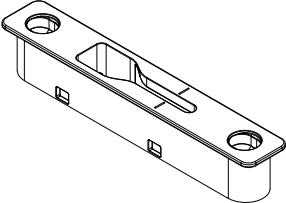
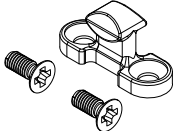

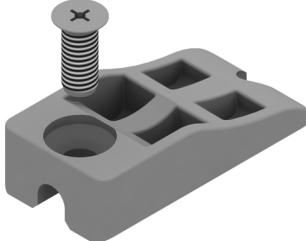
VG500

| AFBEELDING IMAGE BILD PICTURE | OMSCHRIJVING DESCRIPTION BESCHREIBUNG DESCRIPTION | TOEPASSING APPLICATION ANWENDUNG APPLICATION | VERP.PER EMB.PAR PACK PR. PACK PR. |
|---|--|---|---|
|  | <p>ACMX852</p> <p>SCHROEF VIS SCHRAUBE SCREW</p> | <p>ACVG2018 ACVG2090 ACVG2190 ACVG2218 ACVG2290 ...</p> | 48 |
|  | <p>ACMX854</p> <p>SCHROEFBLOKJE 7 MM CLAVET 7 MM SCHRAUBEBLOCK 7 MM CLEAT TENSIONING BLOCK 7 MM</p> | <p>ACVG520NX ACVG521NX</p> | 48 |
|  | <p>ACMX860</p> <p>DIN965 M5X75 DIN965 M5X75 DIN965 M5X75 DIN965 M5X75</p> | <p>ACSL136 ACSL137 ACSL138</p> | 10 |
|  | <p>ACMX871</p> <p>DIN965 M5X35 - K7,5 DIN965 M5X35 - K7,5 DIN965 M5X35 - K7,5 DIN965 M5X35 - K7,5</p> | ACVG780 | 100 |
|  | <p>ACMX886</p> <p>INOX SCHROEF DIN 7981 4.8 X 50 inox A2 VIS DIN 7981 4.8 X 50 inox A2 SCHRAUBE DIN 7981 4.8 X 50 inox A2 SCREW DIN 7981 4.8 X 50 inox A2</p> | VG711 | 200 |


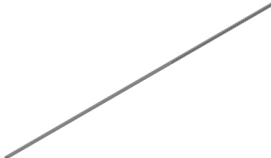
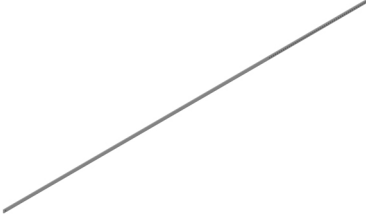
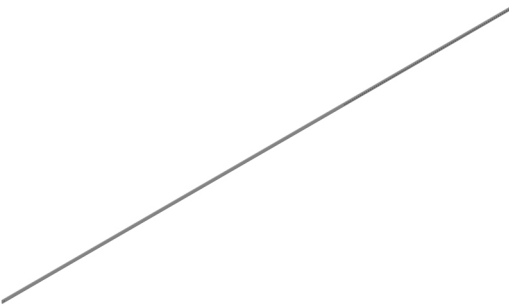

| AFBEELDING IMAGE BILD PICTURE | OMSCHRIJVING DESCRIPTION BESCHREIBUNG DESCRIPTION | TOEPASSING APPLICATION ANWENDUNG APPLICATION | VERP.PER EMB.PAR PACK PR. PACK PR. |
|---|---|---|---|
|  | <p>ACRS439</p> <p>VOORGEVORMDE ISOLERENDE STRIP COUVRE JOINT ISOLANT PREFORME NACH MASS GEFERTIGTES ISOLAT PROF PREFORMED INSULATION STRIP</p> | VG619 | 100 |
|  | <p>ACSL136</p> <p>HANDGREEP BINNEN VOOR 4 SLAG POIGNEE DE TIRAGE INTERIEUR POUR 4 VANTAUX HANDGRIFF INNER FÜR 4 FLUGEL HANDLE INSIDE FOR 4 VENT</p> | VG520N-VG543 | 1 |
|  | <p>ACSL137</p> <p>VASTE HANDGREEP BUITEN VOOR 4 SLAG POIGNEE FIXE DE TIRAGE EXTERIEURE 4 VAN- TAUX FESTE HANDGRIFF AUSSEN FÜR 4 FLUGEL FIXED HANDLE OUTSIDE FOR 4 VENT</p> | VG520N-VG543 | 1 |
|  | <p>ACSL138</p> <p>VASTE HANDGREEP BINNEN VOOR 4 SLAG POIGNEE FIXE DE TIRAGE INTERIEUR 4 VANTAUX FESTE HANDGRIFF INNER FÜR 4 FLUGEL FIXED HANDLE INSIDE FOR 4 VENT</p> | VG520N-VG543 | 1 |
|  | <p>ACSP039A</p> <p>VOORGEVORMDE ISOLERENDE STRIP COUVRE JOINT ISOLANT PREFORME NACH MASS GEFERTIGTES ISOLAT PROF PREFORMED INSULATION STRIP</p> | VG618 | 100 m |


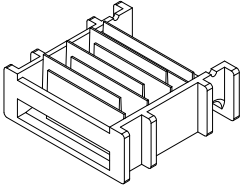
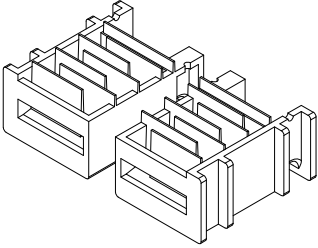
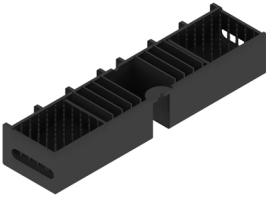
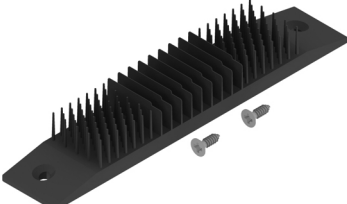
VG500

| AFBEELDING IMAGE BILD PICTURE | OMSCHRIJVING DESCRIPTION BESCHREIBUNG DESCRIPTION | TOEPASSING APLPLICATION ANWENDUNG APPLICATION | VERP.PER EMB.PAR PACK PR. PACK PR. |
|---|--|--|---|
|  | <p>ACSP057</p> <p>GLASSTEUN SUPPORT CALE DE VITRAGE GLASAUFLAGEPROFIL GLASS SUPPORT</p> | <p>VG610 VG618</p> | <p>100 1000</p> |
|  | <p>ACSR011</p> <p>BORSTELDICHTING JOINT-BROSSE BUERSTENDICHTUNG WOOLPILE</p> <p>H = 12 MM</p> | | <p>100 M</p> |
|  | <p>ACSR012A</p> <p>BORSTELDICHTING JOINT-BROSSE BUERSTENDICHTUNG WOOLPILE</p> <p>H = 7 MM</p> | <p>VG652 VG654 VG655 ...</p> | <p>100 M</p> |
|  | <p>ACUG123L</p> <p>AFDICHTINGSSTUK PIECE D'ETANCHEITE DICHTUNGSSTUECK SEALING PIECE</p> | <p>UG050 VG516</p> | <p>1</p> |
|  | <p>ACUG123R</p> <p>AFDICHTINGSSTUK PIECE D'ETANCHEITE DICHTUNGSSTUECK SEALING PIECE</p> | <p>UG050 VG516</p> | <p>1</p> |



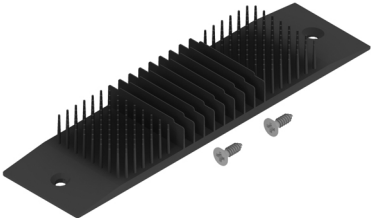
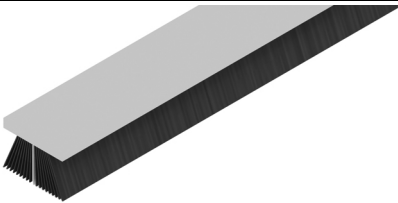
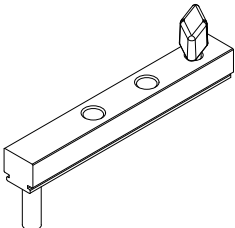
| AFBEELDING IMAGE BILD PICTURE | OMSCHRIJVING DESCRIPTION BESCHREIBUNG DESCRIPTION | TOEPASSING APPLICATION ANWENDUNG APPLICATION | VERP.PER EMB.PAR PACK PR. PACK PR. |
|---|---|---|---|
|  | <p>ACUG160</p> <p>AFDICHTINGSRUBBER JOINT D'ETANCHEITE ABDICHTUNGSGUMMI SEALING STRIP</p> | VG660 | 100 M |
|  | <p>ACUG212</p> <p>SLOTPAD GACHE SCHLIESSBLECH RECEIVER</p> <p>(INVISO)</p> | | 100 M |
|  | <p>ACUG213</p> <p>BIJKOMEND SLOTPAD GACHE SUPPLEMENTAIRE ZUSÄTZLICHES SCHLIESSBLECH SUPPLEMENTARY RECEIVER</p> <p>(INVISO)</p> | <p>ACUG205 ACUG206 ACUG207</p> | 1 |
|  | <p>ACUG213</p> <p>AFDEKKAP CAPUCHON ABDECKKAPPE FACE CAP</p> <p>(INVISO)</p> | <p>ACUG205 ACUG206 ACUG207</p> | 1 |
|  | <p>ACUG221</p> <p>SLUITPUNT 4 VLEUGELS POINT DE FERMETURE 4 VANTAUX SCHLIESSPUNKT 4 FLUGEL LOCKING POINT 4 VENTS</p> | | 1 |

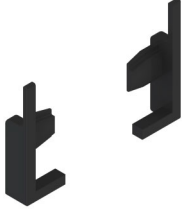

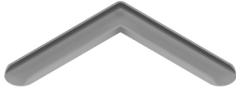


VG500

| AFBEELDING IMAGE BILD PICTURE | OMSCHRIJVING DESCRIPTION BESCHREIBUNG DESCRIPTION | TOEPASSING APLPLICATION ANWENDUNG APPLICATION | VERP.PER EMB.PAR PACK PR. PACK PR. |
|---|---|--|---|
|  | ACUG230 VERBINDINGSSTAAF BARRE DE CONNECTION VERBINDUNGSSTAB CONNECTING PLATE ACVG1280: FB 650-1360 MM ACVG1280 + ACGV1274: FB 1120-1800 MM | ACVG1280 ACVG1274 | 1 |
|  | ACUG231 VERBINDINGSSTAAF BARRE DE CONNECTION VERBINDUNGSSTAB CONNECTING PLATE ACVG1280: FB 1361-1860 MM ACVG1280 + ACGV1274: FB 1801-2300 MM | ACVG1280 ACVG1274 | 1 |
|  | ACUG232 VERBINDINGSSTAAF BARRE DE CONNECTION VERBINDUNGSSTAB CONNECTING PLATE ACVG1280: FB 1861-2360 MM ACVG1280 + ACGV1274: FB 2301-2800 MM | ACVG1280 ACVG1274 | 1 |
|  | ACUG233 VERBINDINGSSTAAF BARRE DE CONNECTION VERBINDUNGSSTAB CONNECTING PLATE ACVG1280 + ACGV1274: FB 2801-3235 MM | ACVG1280 ACVG1274 | 1 |
|  | ACUG234 GELEIDINGSSTUK PIECE DE GUIDAGE FUEHRUNGSSTUECK GUIDE BRACKET HS-VG500 | ACVG1280 | 1 |

| AFBEELDING IMAGE BILD PICTURE | OMSCHRIJVING DESCRIPTION BESCHREIBUNG DESCRIPTION | TOEPASSING APLPLICATION ANWENDUNG APPLICATION | VERP.PER EMB.PAR PACK PR. PACK PR. |
|---|--|--|---|
|  | <p>ACUG270</p> <p>TERUGSLAG DEMPER AMORTISSEUR DE RECOL GETRIEBEDAMPFER RECOIL DAMPER</p> <p>HS-VG500</p> | ACVG1280 | 1 |
|  | <p>ACUG530</p> <p>CENTRALE AFDICHTING FERMETURE CENTRAL MITTELDICHTUNG CENTRAL CLOSER</p> | VG510 VG518 ... | 1 |
|  | <p>ACUG531</p> <p>CENTRALE AFDICHTING MONORAIL FERMETURE CENTRAL MONORAIL MITTELDICHTUNG MONORAIL CENTRAL CLOSER MONORAIL</p> | VG610 VG618 VG619 | 1 |
|  | <p>ACUG631</p> <p>AFDICHTING FERMETURE ABDICHTUNG CLOSER</p> <p>MONO-RAIL</p> | VG610 VG618 VG619 | 10 |
|  | <p>ACUG632</p> <p>AFDICHTING FERMETURE ABDICHTUNG CLOSER</p> <p>MONO-RAIL</p> | VG610 VG618 VG619 | 10 |

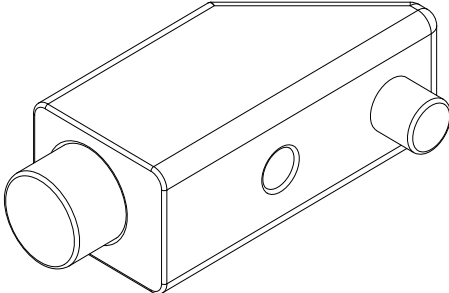
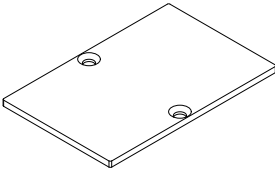
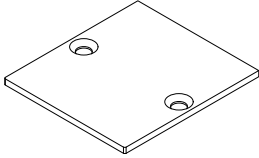
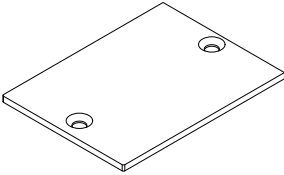
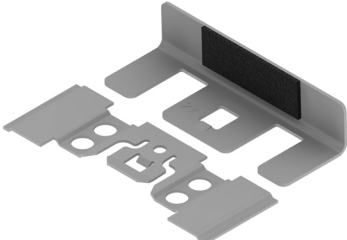
VG500

| AFBEELDING IMAGE BILD PICTURE | OMSCHRIJVING DESCRIPTION BESCHREIBUNG DESCRIPTION | TOEPASSING APLPLICATION ANWENDUNG APPLICATION | VERP.PER EMB.PAR PACK PR. PACK PR. |
|---|--|--|---|
|  | <p>ACUG633</p> <p>DICHTING JOINT DICHTUNG GASKET</p> <p>MONO-RAIL</p> | <p>VG610 VG618</p> | <p>100 M</p> |
|  | <p>ACUG830</p> <p>AFDICHTING FERMETURE ABDICHTUNG CLOSER</p> | <p>UG050</p> | <p>10</p> |
|  | <p>ACUG831</p> <p>AFDICHTING FERMETURE ABDICHTUNG CLOSER</p> | <p>UG010 UG012 ...</p> | <p>10</p> |
|  | <p>ACUG841</p> <p>AFDICHTING FERMETURE ABDICHTUNG CLOSER</p> | <p>UN70 ...</p> | <p>100</p> |
|  | <p>ACUG956</p> <p>BOORMAL SCHROEFVERBINDING GABARIT JONCTION A VISSER BOHRLEHRE VERSCHRAUBUNG BORING JIG SCREW CONNECTION</p> <p>VG 90° - 180° - 270°</p> | | <p>1</p> |

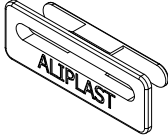


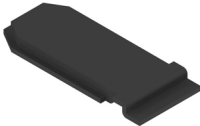
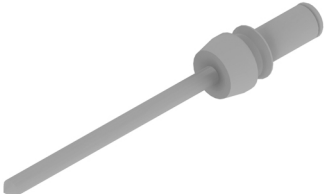
| AFBEELDING IMAGE BILD PICTURE | OMSCHRIJVING DESCRIPTION BESCHREIBUNG DESCRIPTION | TOEPASSING APPLICATION ANWENDUNG APPLICATION | VERP.PER EMB.PAR PACK PR. PACK PR. |
|---|--|---|---|
|  | <p>ACUN010</p> <p>EINDSTUK AANSLUITINGSPROFIEL VLOER PIECE FINALE PROFILE DE RACCORDEMENT AU SOL ENDKAPPE WANDANSCHLUSSPROFIL UNTEN END PART CONNECTION PROFILE FLOOR</p> | UN010 | 10 |
|  | <p>ACUN020</p> <p>STEUNHOEK CALE DE FEUILLURE ECKWINKEL REBATE SUPPORT</p> | VG520N VG521N VG610 ... | 10 |
|  | <p>ACUN021</p> <p>STEUNHOEK CALE DE FEUILLURE ECKWINKEL REBATE SUPPORT</p> | | 100 |
|  | <p>ACUN033</p> <p>BINNENBEGLAZINGSDICHTING JOINT DE VITRAGE INTERIEUR INNENVERGLASUNGSDICHTUNG INNER GLAZING GASKET</p> <p>3 - 5 MM</p> | | 100 m |
|  | <p>ACUN036</p> <p>BINNENBEGLAZINGSDICHTING JOINT DE VITRAGE INTERIEUR INNENVERGLASUNGSDICHTUNG INNER GLAZING GASKET</p> <p>6 - 8 MM</p> | | 100 m |

VG500

| AFBEELDING IMAGE BILD PICTURE | OMSCHRIJVING DESCRIPTION BESCHREIBUNG DESCRIPTION | TOEPASSING APLPLICATION ANWENDUNG APPLICATION | VERP.PER EMB.PAR PACK PR. PACK PR. |
|---|---|--|---|
|  | <p>ACUN045</p> <p>AFDEKKAP WATERAFVOERSLEUVEN CAPUCHON DRAINAGE D'EAU ABDECKKAPPE ENTWAESSERUNG WEEP HOLE COVER</p> | | 100 |
|  | <p>ACUN075</p> <p>EINDSTUK UN075 PIECE FINALE UN075 ENDSTUECK UN075 END PIECE UN075</p> | UN075 | 10 |
|  | <p>ACUN160</p> <p>SCHROEFBLOKJE 7 MM CLAVET 7 MM SCHRAUBEBLOCK 7 MM CLEAT TENSIONING BLOCK 7 MM</p> | ACVG520NX ACVG521NX | 48 |
|  | <p>ACUN161</p> <p>SCHROEFBLOKJE 11MM CLAVET 11MM SCHRAUBEBLOCK 11MM CLEAT TENSIONING BLOCK 11MM</p> | ACVG510X ACVG610X ACVG617X ACVG618X | 48 |
|  | <p>ACUN23X</p> <p>INDRAAI-ANKER ANCRAGE A CLIPPER MAUERANKER ZUM EINKLEMMEN SCREW FIXING LUG</p> <p>ACUN230: B = 160MM ACUN232: B = 240MM ACUN233: B = 280MM</p> | | 100 |

| AFBEELDING IMAGE BILD PICTURE | OMSCHRIJVING DESCRIPTION BESCHREIBUNG DESCRIPTION | TOEPASSING APPLICATION ANWENDUNG APPLICATION | VERP.PER EMB.PAR PACK PR. PACK PR. |
|---|--|---|---|
|  | <p>ACUN348</p> <p>STOOTBUFFER BUTÉE STOPPER BUFFER</p> | | 1 |
|  | <p>ACUN500</p> <p>AFDEKPLAAT TÔLES DE RECOUVREMENT ABDECKPLATTE COVER PLATE</p> | <p>UN500 UN510</p> | 1 |
|  | <p>ACUN503</p> <p>AFDEKPLAAT TÔLES DE RECOUVREMENT ABDECKPLATTE COVER PLATE</p> | <p>VG523 VG524</p> | 1 |
|  | <p>ACUN507</p> <p>AFDEKPLAAT TÔLES DE RECOUVREMENT ABDECKPLATTE COVER PLATE</p> | <p>UN507 UN517</p> | 1 |
|  | <p>ACUN550</p> <p>SECURI-CLIP SECURI-CLIP SECURI-CLIP SECURI-CLIP</p> | VG619 | 4 |

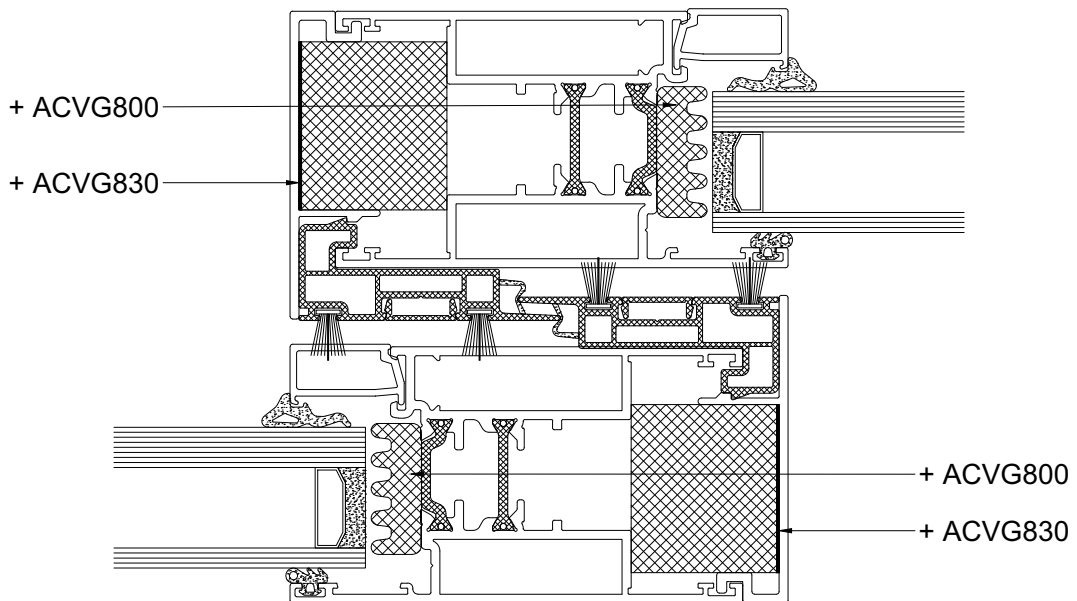
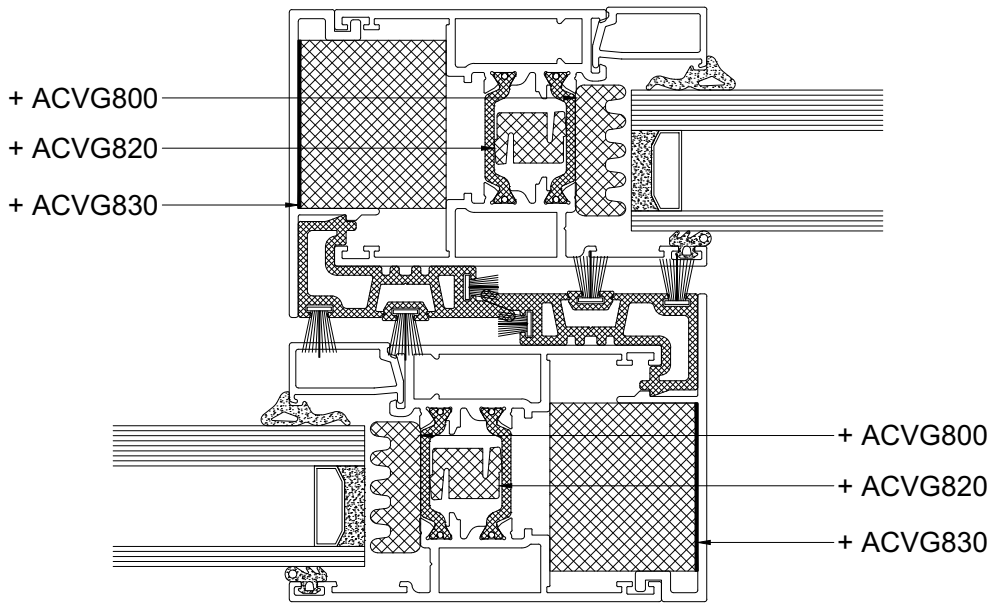
VG500

| AFBEELDING IMAGE BILD PICTURE | OMSCHRIJVING DESCRIPTION BESCHREIBUNG DESCRIPTION | TOEPASSING APLPLICATION ANWENDUNG APPLICATION | VERP.PER EMB.PAR PACK PR. PACK PR. |
|---|--|--|---|
|  | <p>ACUN667</p> <p>AFDEKKAP WATERAFVOERSLEUVEN CAPUCHON DRAINAGE D'EAU ABDECKKAPPE ENTWAESSERUNG WEEP HOLE COVER</p> | <p>VG521N VG525N VG526N</p> | <p>100</p> |
|  | <p>ACVL020B</p> <p>STEUNHOEK CALE DE FEUILLURE ECKWINKEL REBATE SUPPORT</p> | | <p>1</p> |
|  | <p>ACVL020</p> <p>STEUNHOEK CALE DE FEUILLURE ECKWINKEL REBATE SUPPORT</p> | | <p>1</p> |
|  | <p>ACVL029</p> <p>VERSTEVIINGSSTUKJE VOOR T-VERBINDING PIÈCE RENFORCEMENT POUR RACCORDEMENT-T VERSTÄRKUNG STÜCK FÜR T-VERBINDUNG STRENGTHENING PIECE FOR T-CONNECTION</p> | <p>UG820 UG025 UG026 UG027</p> | <p>1</p> |
|  | <p>ACVL061</p> <p>KLINKNAGEL RIVET BLINDNIETE RIVET</p> | <p>UN075</p> | <p>100</p> |

| AFBEELDING IMAGE BILD PICTURE | OMSCHRIJVING DESCRIPTION BESCHREIBUNG DESCRIPTION | TOEPASSING APPLICATION ANWENDUNG APPLICATION | VERP.PER EMB.PAR PACK PR. PACK PR. |
|---|---|---|---|
|  | <p>ACVL150</p> <p>ZESKANTSLEUTEL 4MM CLÉ À SIX PANS 4MM SECHSKANTSCHLÜSSEL 4MM T-HANDLE HEXAGON KEY 4MM</p> | | 1 |
|  | <p>ACVL162</p> <p>BOORMAL T-VERBINDING GABARIT RACCORDEMENT-T BOHRLEHRE T-VERBINDUNG BORING JIG T-CONNECTION</p> | <p>VG510 VG515 ACVG515N</p> | 1 |
|  | <p>ACVL167</p> <p>PONSUNIT UNITE D'ETAMPER STANZEINHEIT PUNCH UNIT</p> | <p>VG510 VG516 ACVG515N</p> | 1 |
|  | <p>ACVS034</p> <p>BORSTELAFDICHTING 6,5 MM BROSSE 6,5 MM BURSTENDICHTUNG 6,5 MM BRUSH FITTING 6,5 MM</p> | VG551R | 150 |
|  | <p>MA50</p> <p>LAKSTIFT 12ml RAL-kleur MINE LAQUE 12ml RAL-COULEUR LACKSTIFT 12ml RAL-FARBE STIFT LACQUER 12ml RAL-COLOR</p> | | 1 |

VG500

VG500
VG500i



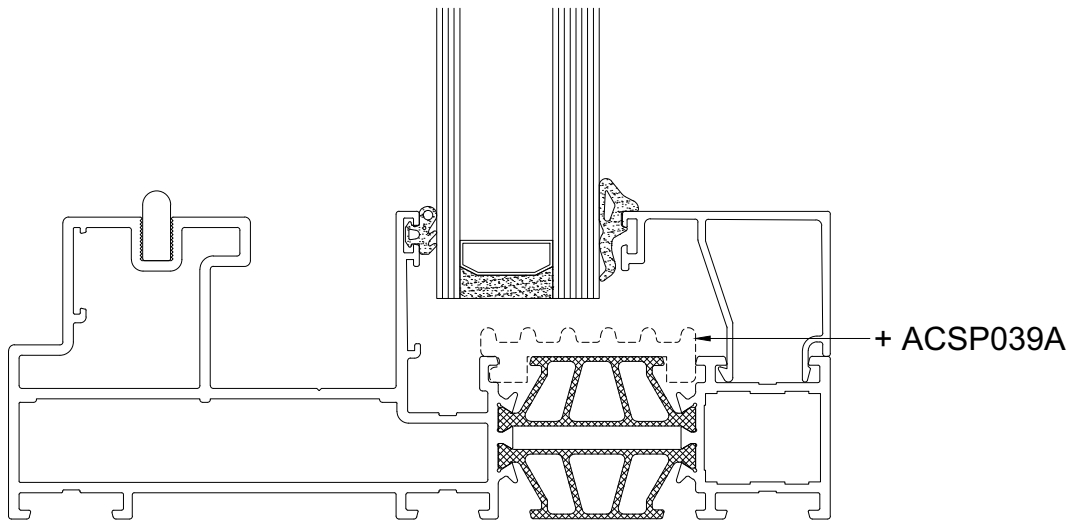
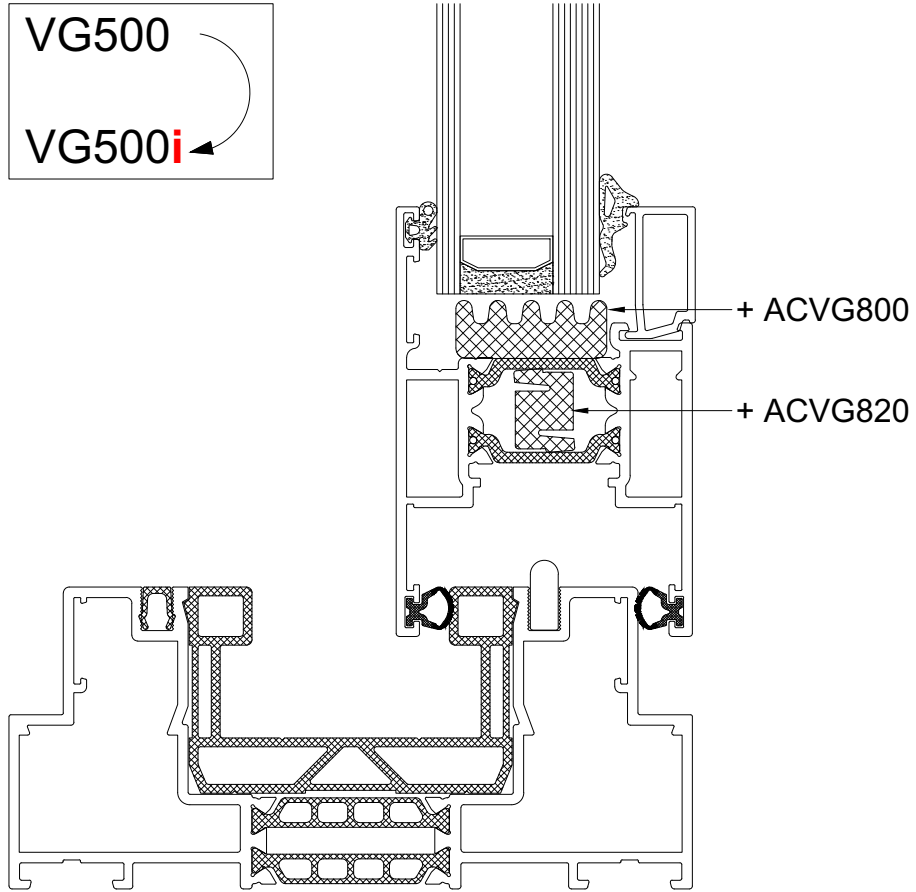
OVERVIEW

aliplast
member of



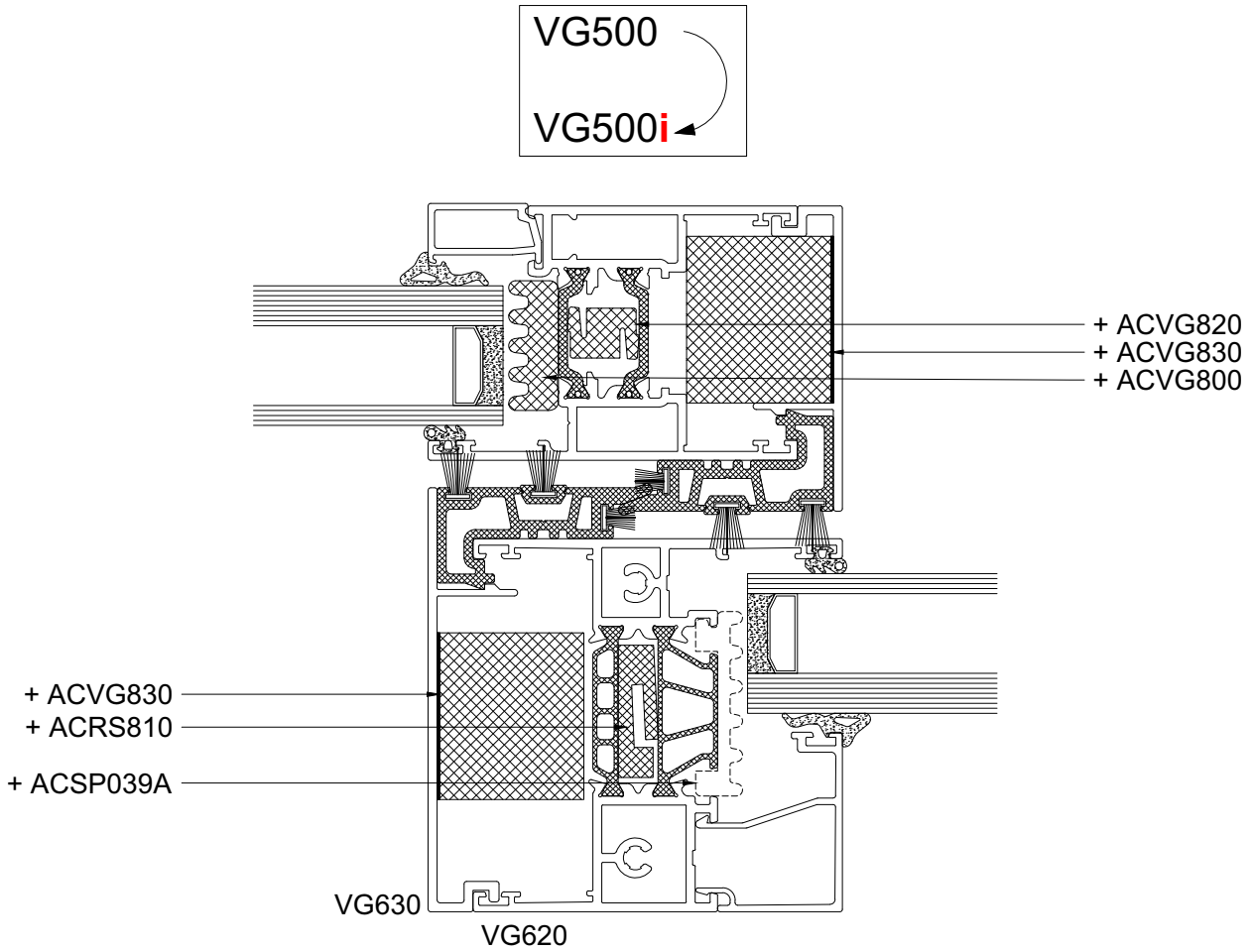
VG500

VG500
VG500i



OVERVIEW2



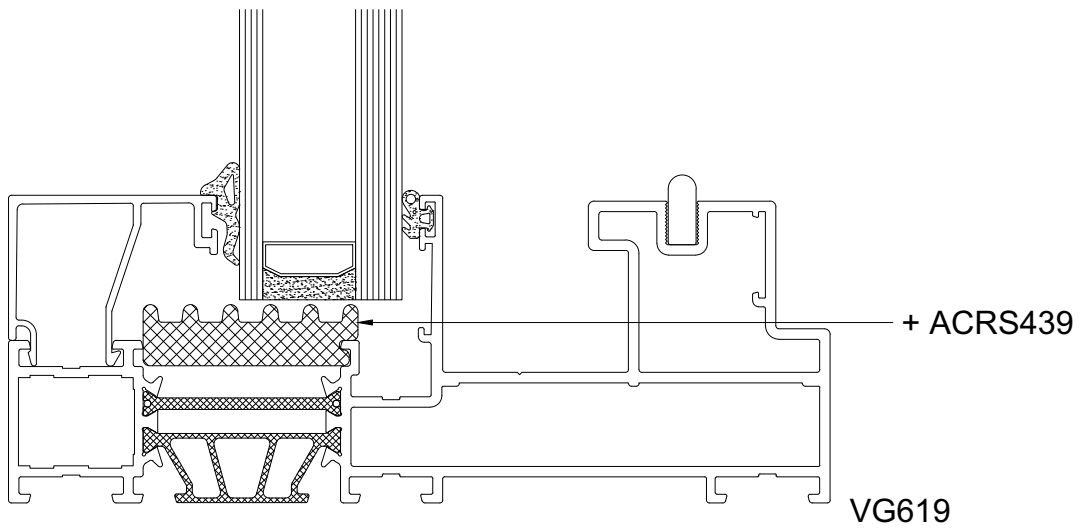
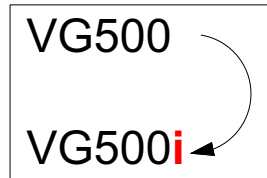


OVERVIEW3

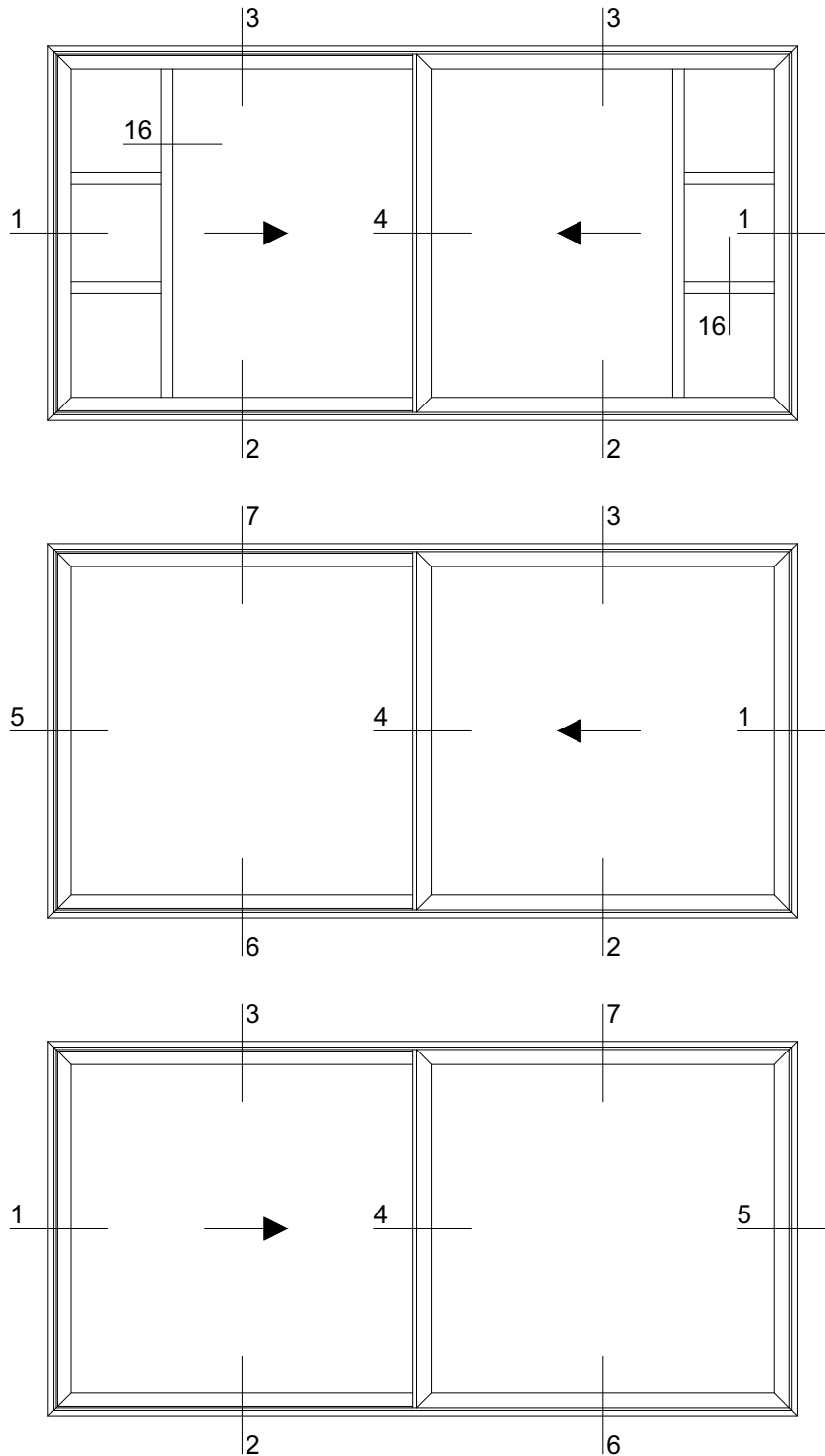
aliplast
member of



VG500



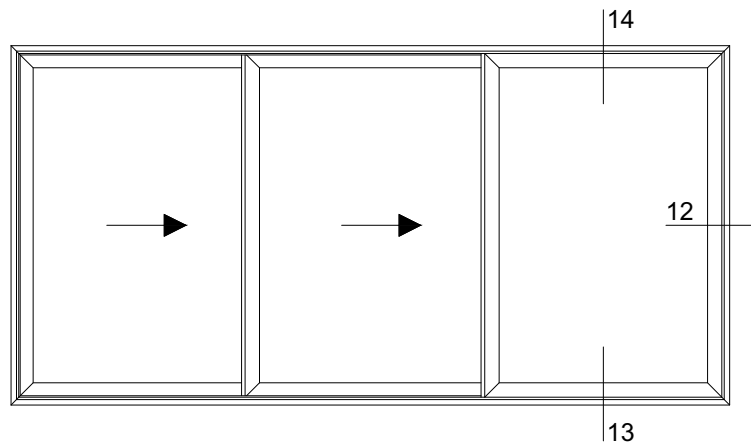
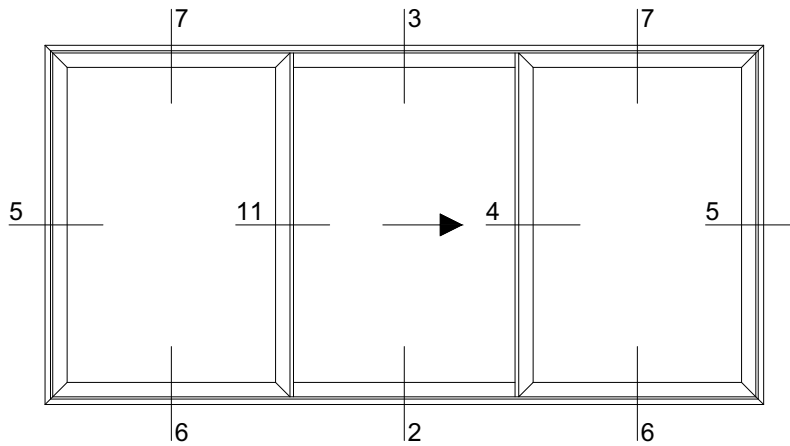
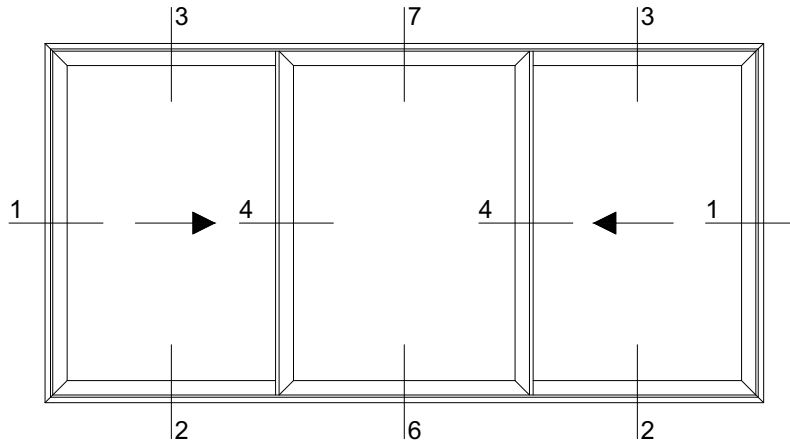
SCHUIFDEUR / PORTE COULISSANTE SCHIEBETUR / SLIDING DOOR



DOORSNEDETEKENINGEN - SECTION DE NOEUDS - PROFILKOMBINATIONEN - SECTION DRAWINGS

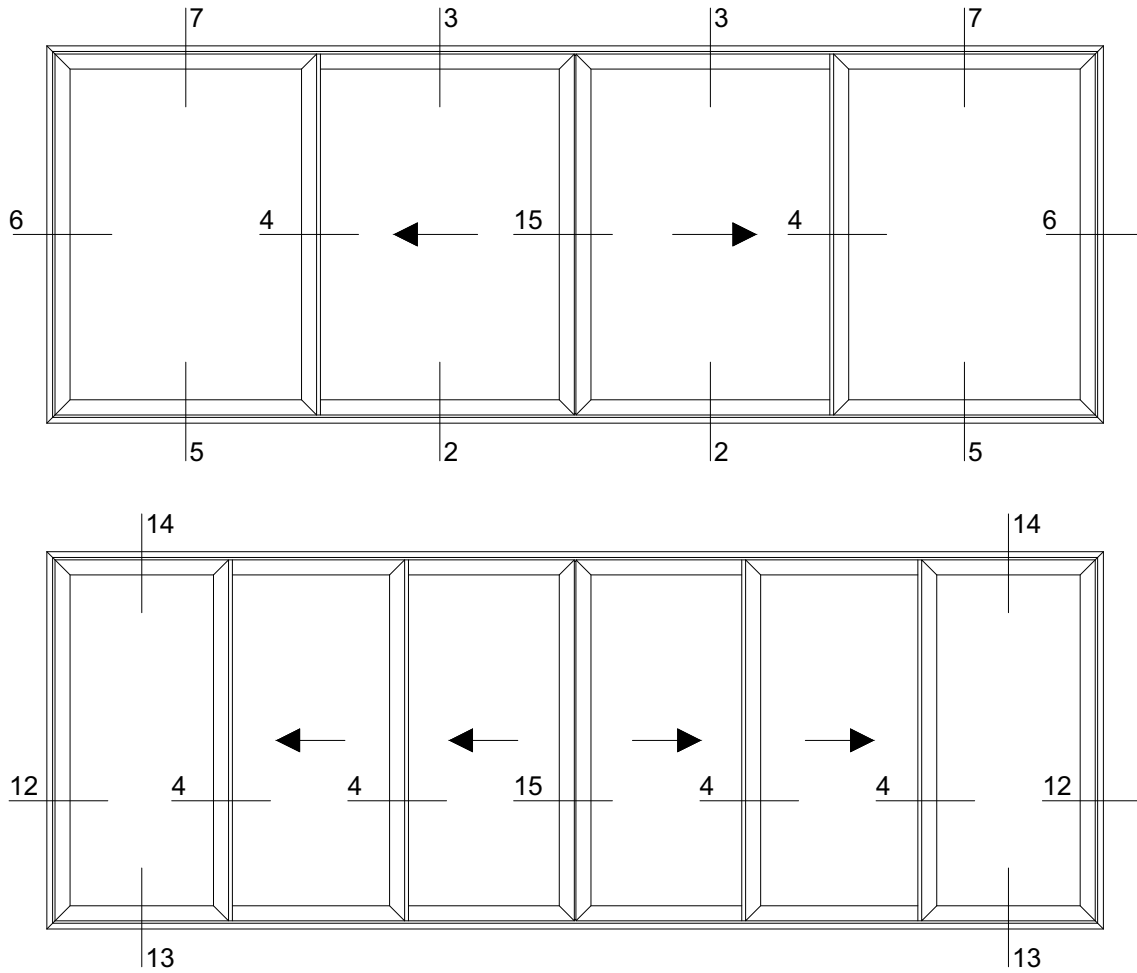
TYPE01

VG500



3-RAIL + VG5120/VG5220 NIET MOGELIJK
3-RAIL + VG5120/VG5220 PAS POSSIBLE
3-RAIL + VG5120/VG5220 NICHT MOGLICH
3-RAIL + VG5120/VG5220 NOT POSSIBLE

TYPE02



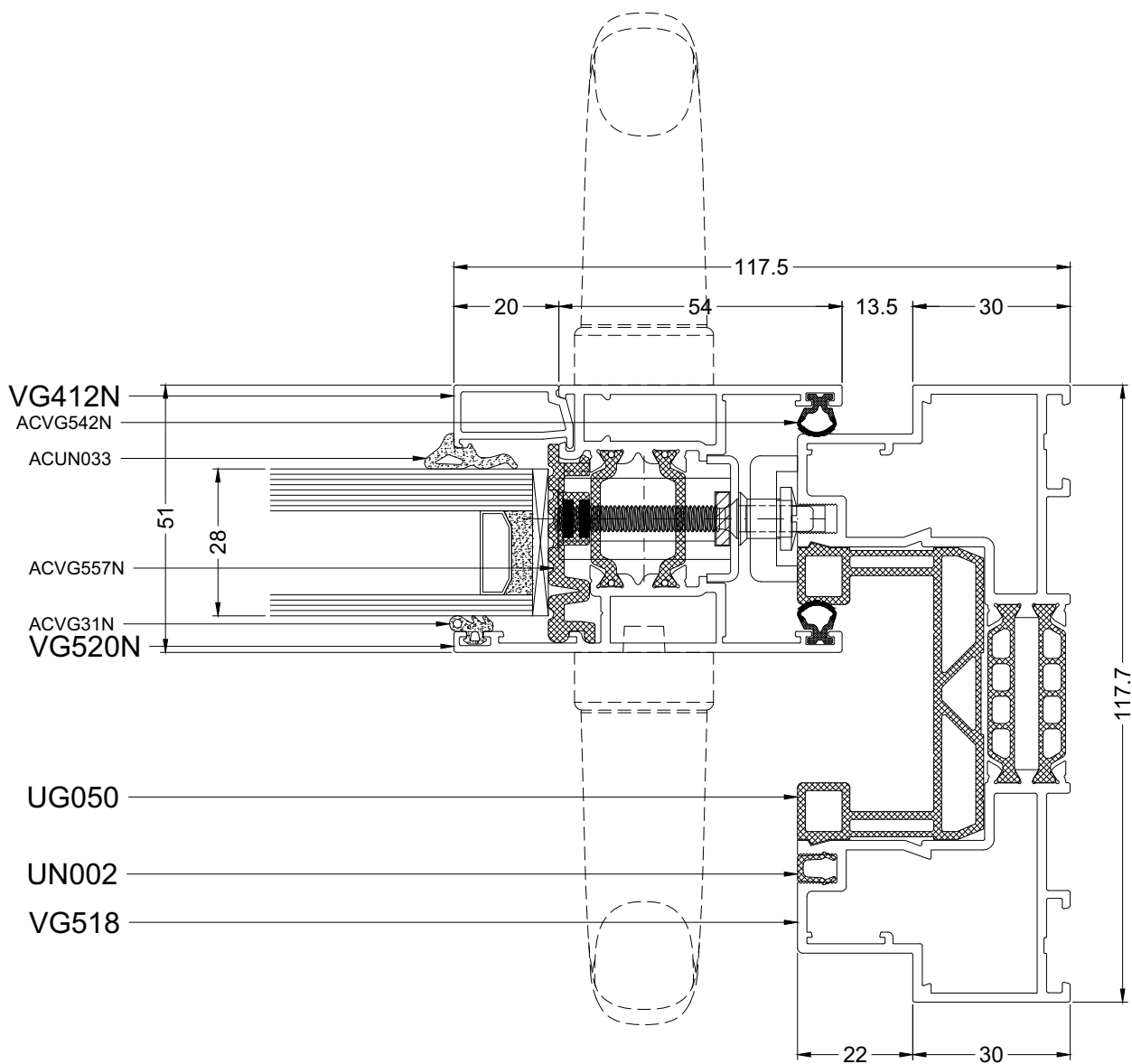
3-RAIL + VG5120/VG5220 NIET MOGELIJK
3-RAIL + VG5120/VG5220 PAS POSSIBLE
3-RAIL + VG5120/VG5220 NICHT MOGLICH
3-RAIL + VG5120/VG5220 NOT POSSIBLE

TYPE03

VG500

1

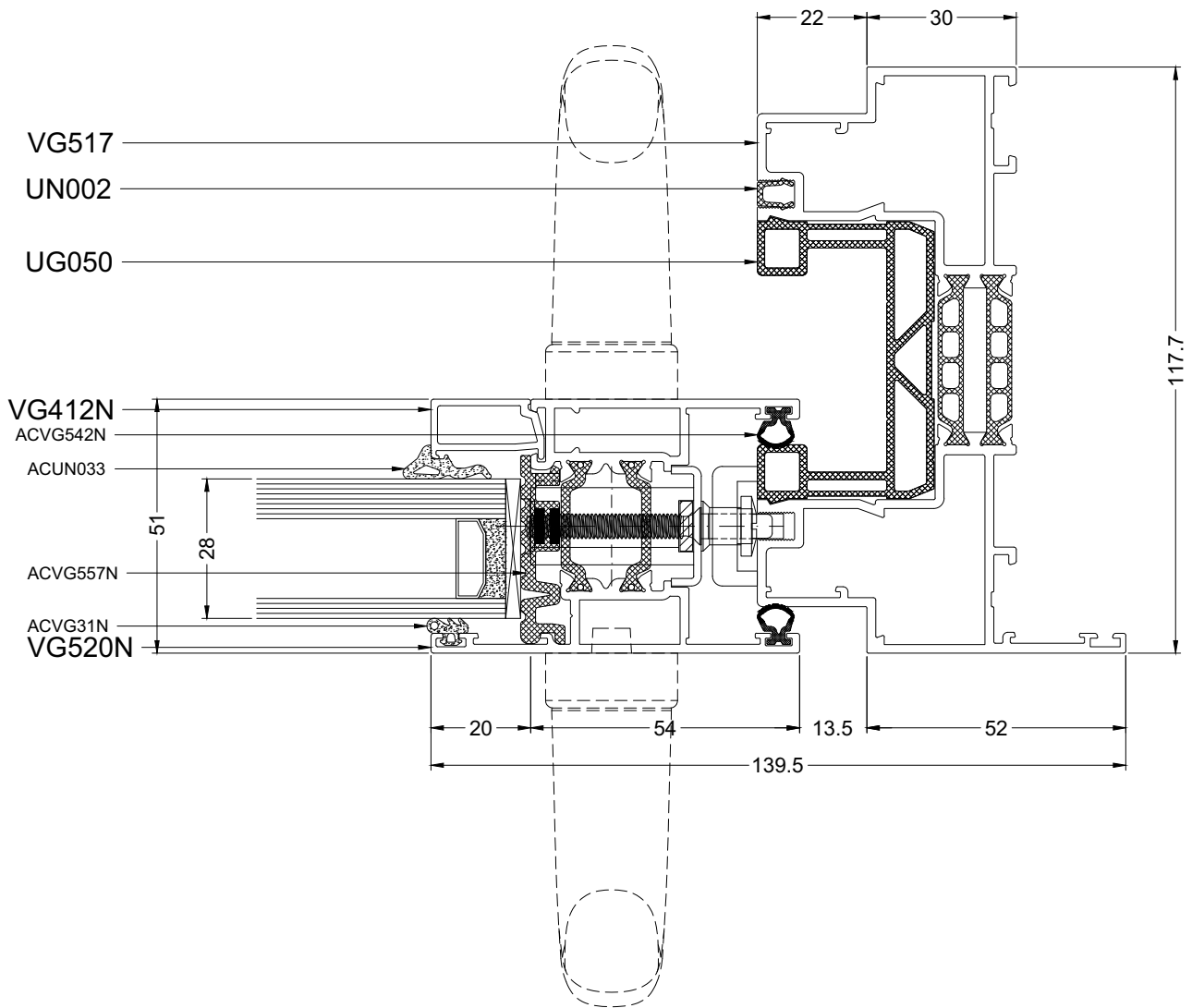
| | | |
|------------|--|-----------------------------|
| OVERZICHT |  | ZIE SZ CATALOGUS |
| APERCU | | VOIR LE CATALOGUE SZ |
| OVERVIEW | | SEE SZ CATALOG |
| UEBERSICHT | | SIEHE SZ KATALOG |



(SIDE)VG518-VG520N(IN)



| | | |
|------------|---|----------------------|
| OVERZICHT |  | ZIE SZ CATALOGUS |
| APERCU | | VOIR LE CATALOGUE SZ |
| OVERVIEW | | SEE SZ CATALOG |
| UEBERSICHT | | SIEHE SZ KATALOG |



DOORSNEDETEKENINGEN - SECTION DE NOEUDS - PROFILKOMBINATIONEN - SECTION DRAWINGS

(SIDE)VG517-VG520N(OUT)

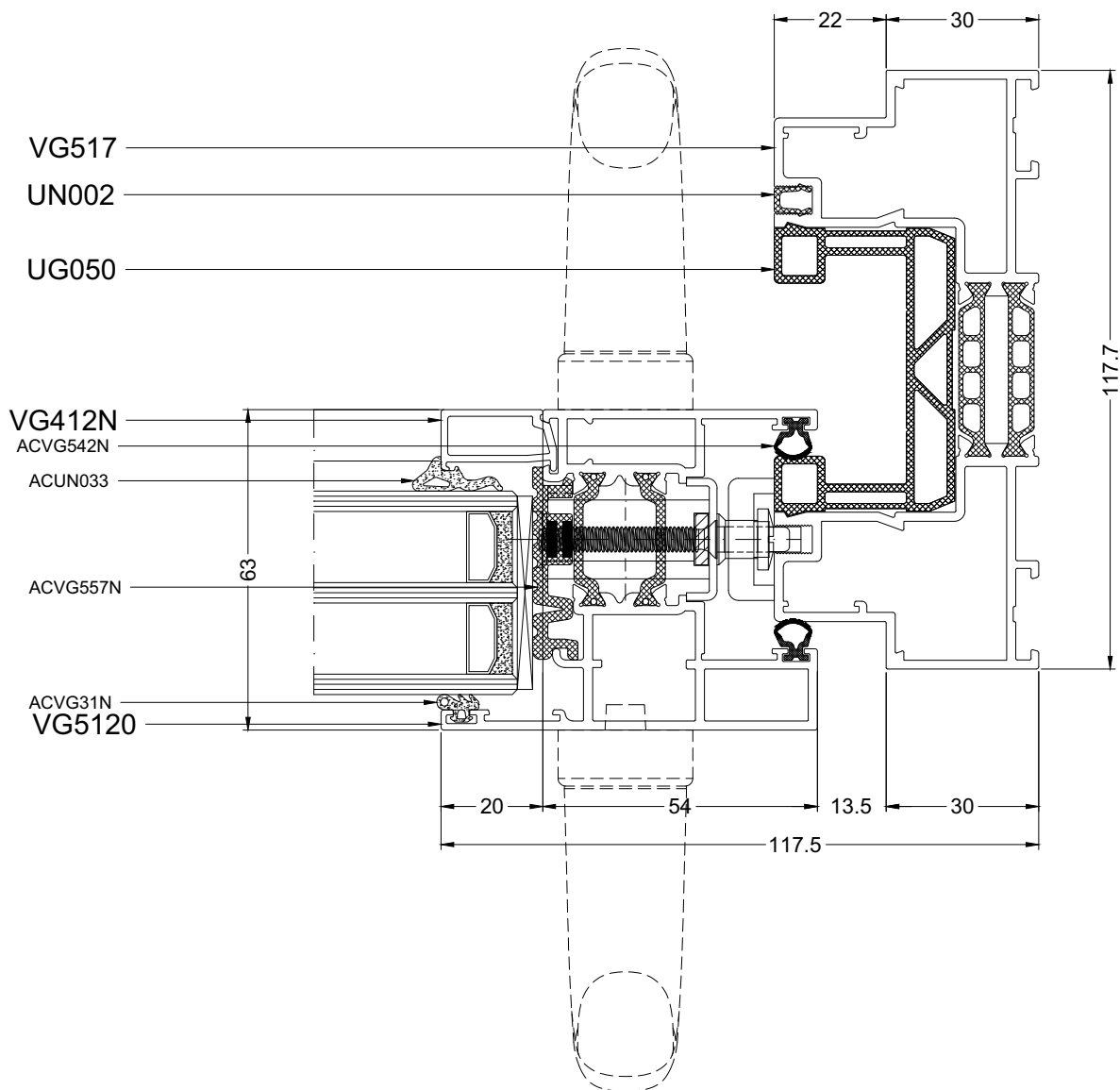
aliplast
member of



VG500

1

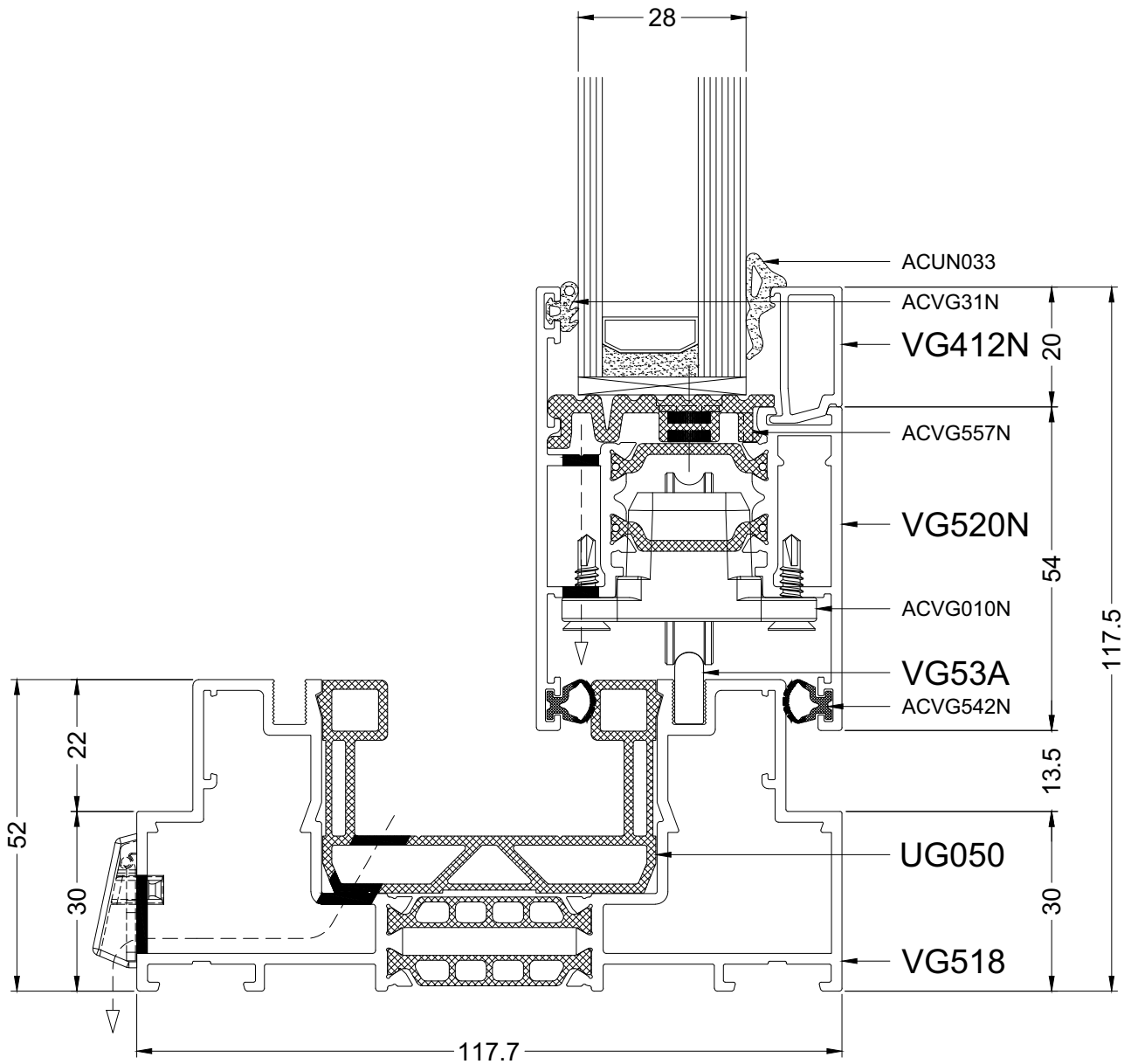
| | | |
|------------|---|----------------------|
| OVERZICHT |  | ZIE SZ CATALOGUS |
| APERCU | | VOIR LE CATALOGUE SZ |
| OVERVIEW | | SEE SZ CATALOG |
| UEBERSICHT | | SIEHE SZ KATALOG |



(SIDE)VG518-VG5120(OUT)



2A



DOORSNEDETEKENINGEN - SECTION DE NOEUDS - PROFILKOMBINATIONEN - SECTION DRAWINGS



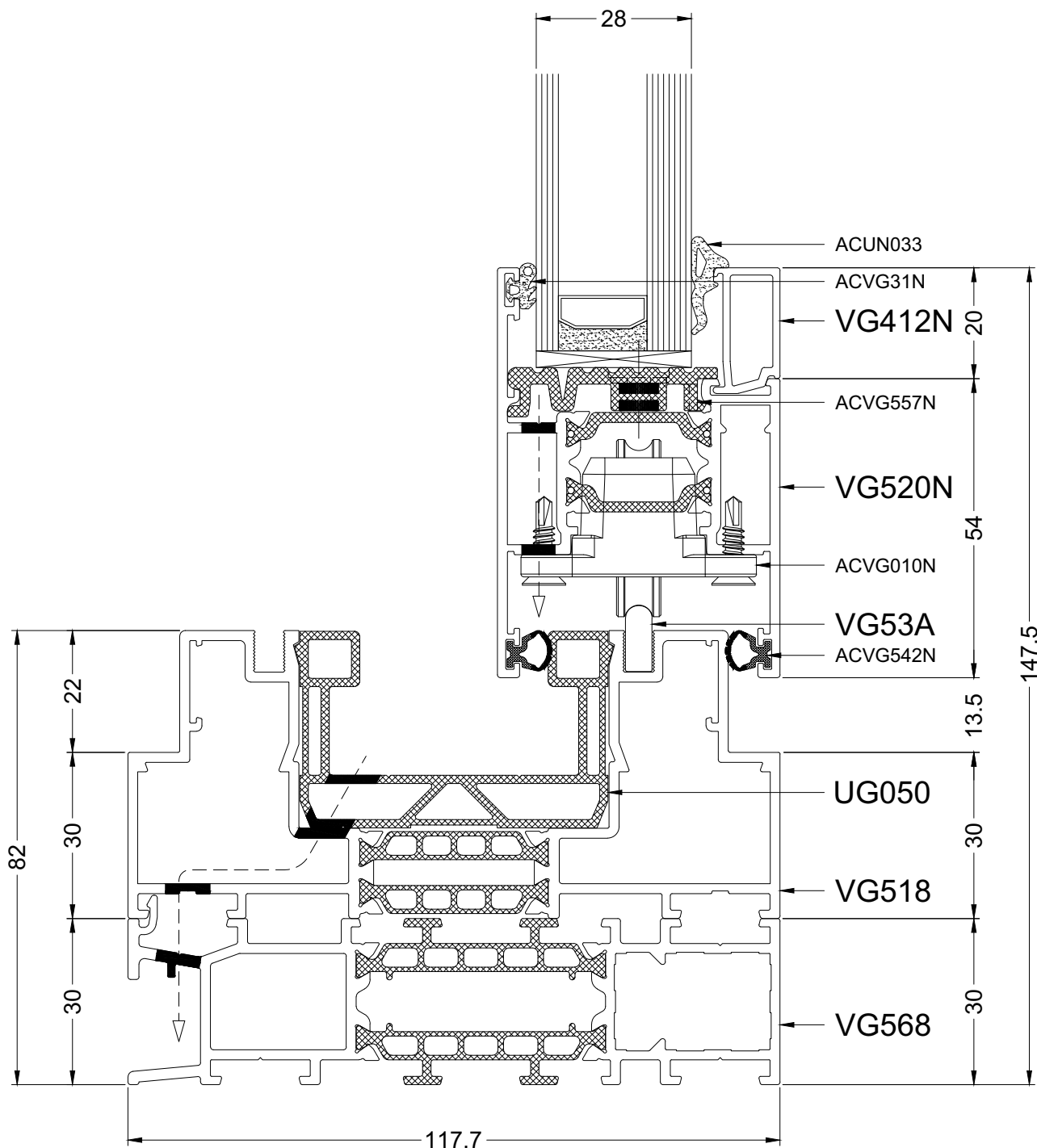
(BOTTOM)VG518-VG520N(IN)

aliplast
member of



VG500

2B

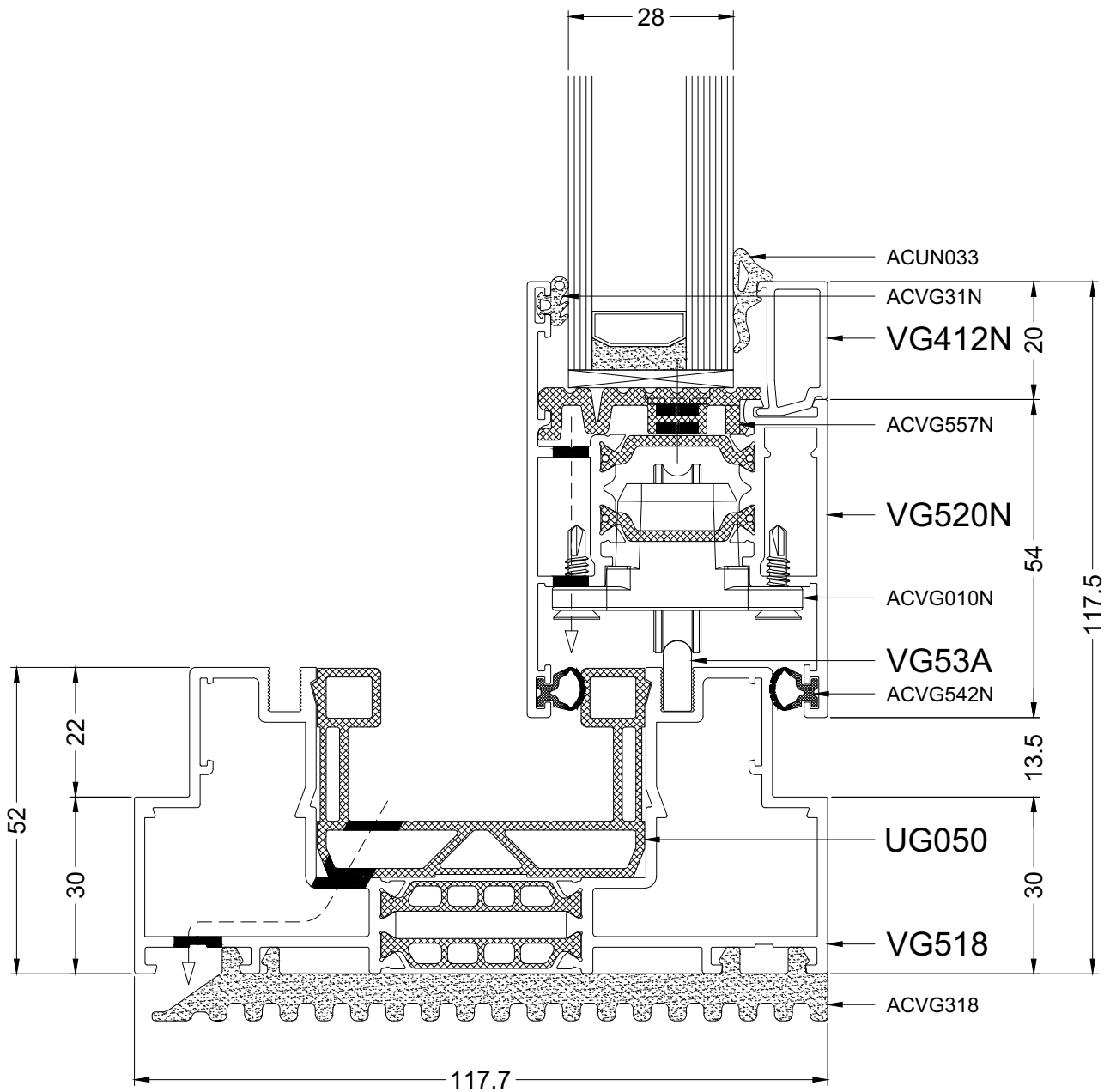


(BOTTOM)VG518-VG520N(IN)(VG568)



150

2C



DOORSNEDETEKENINGEN - SECTION DE NOEUDS - PROFILKOMBINATIONEN - SECTION DRAWINGS

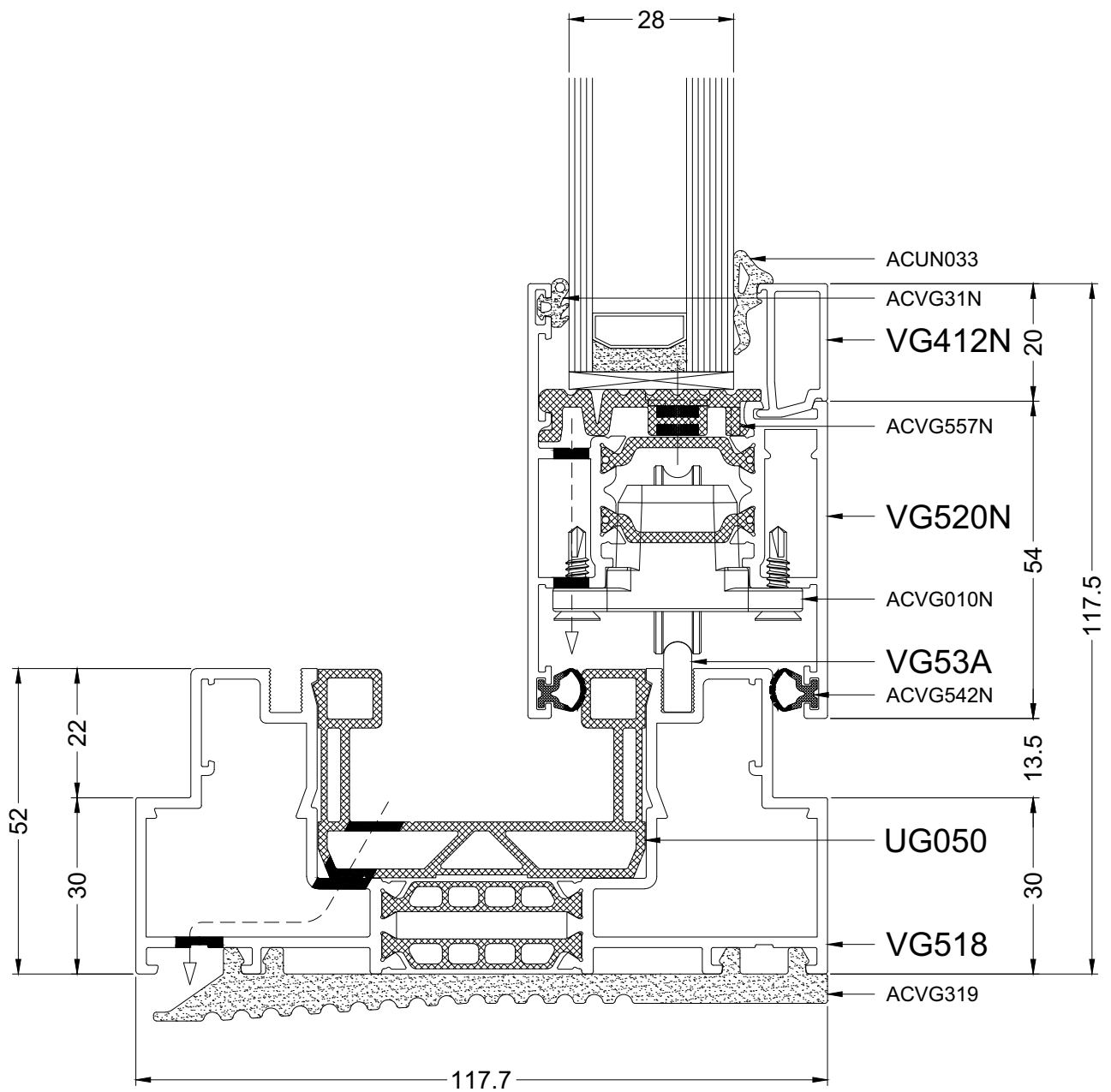
(BOTTOM)VG518-VG520N(IN)(ACVG318)

aliplast
member of



VG500

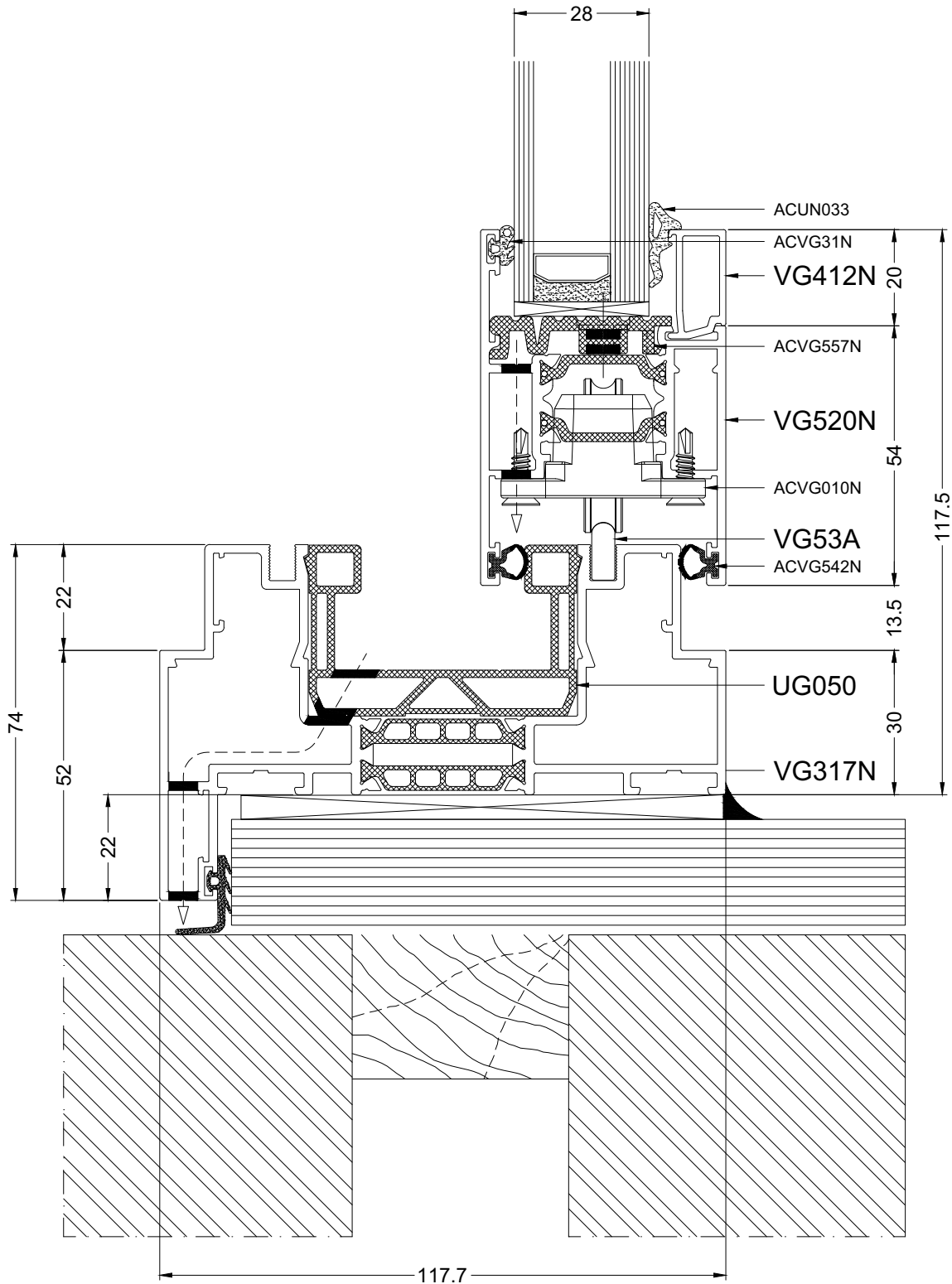
2D



(BOTTOM)VG518-VG520N(IN)(ACVG319)



2E



DOORSNEDETEKENINGEN - SECTION DE NOEUDS - PROFILKOMBINATIONEN - SECTION DRAWINGS



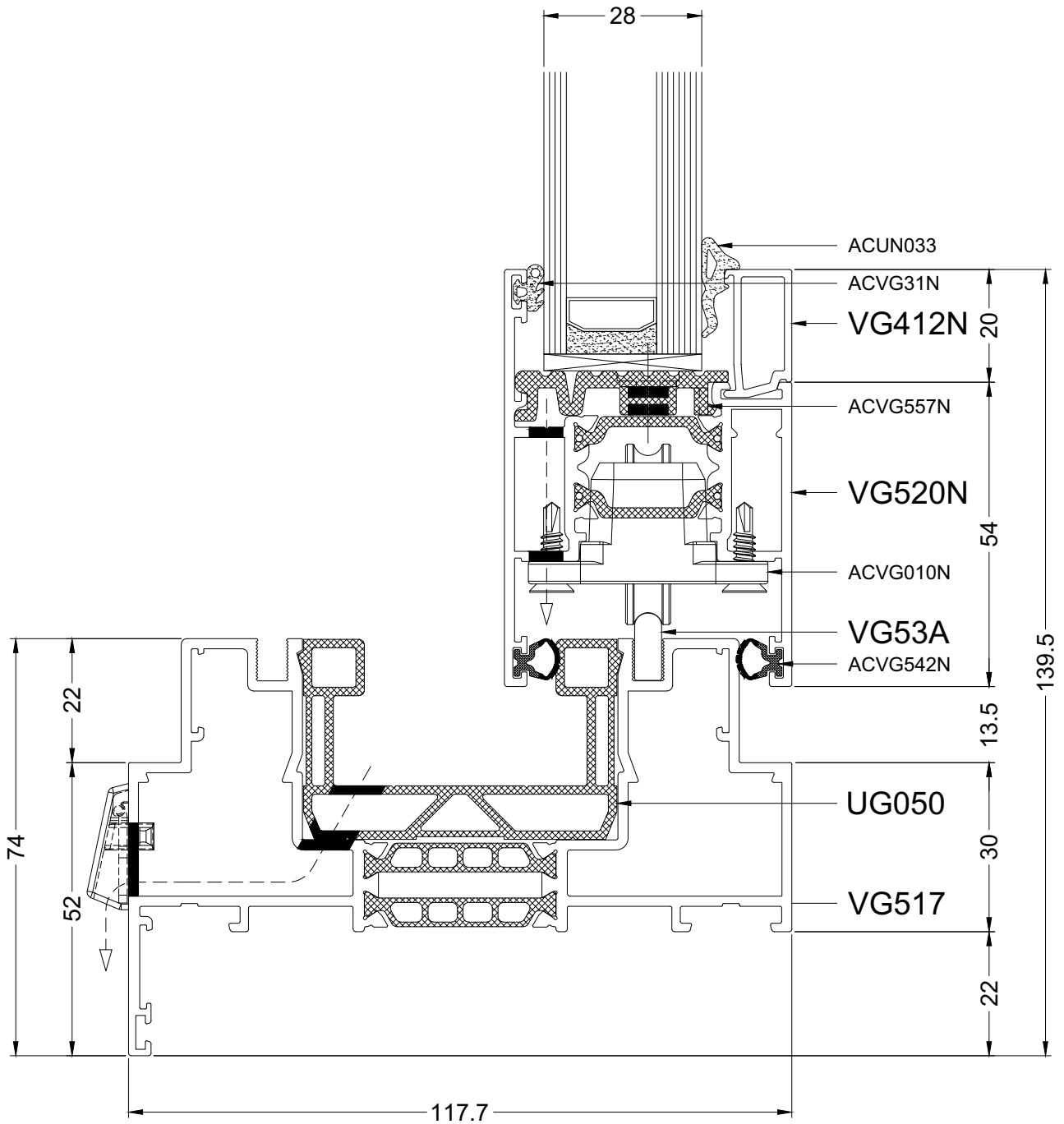
VG317N

aliplast
member of



VG500

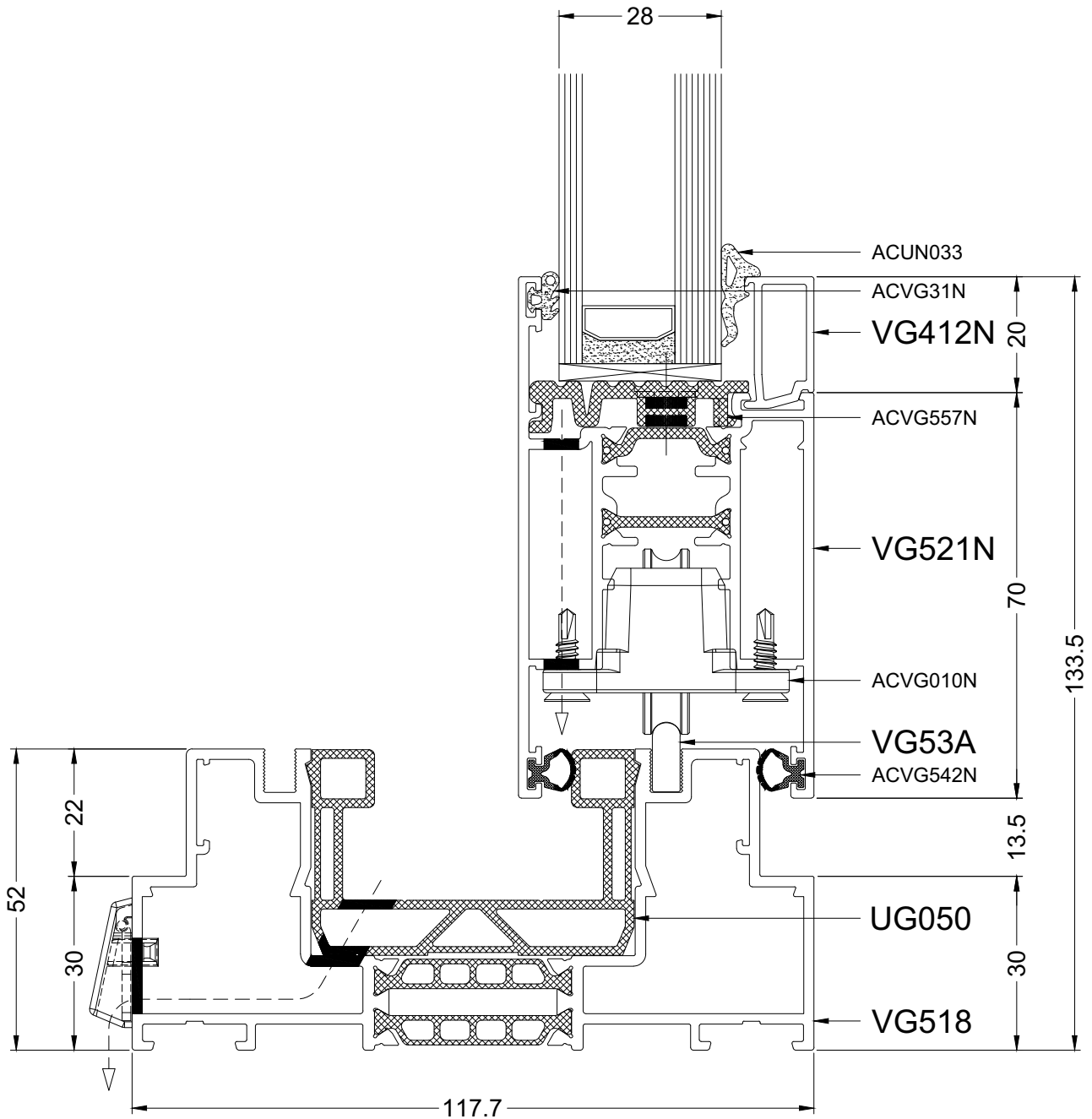
2F



(BOTTOM)VG517-VG520N(IN)



2G



DOORSNEDETEKENINGEN - SECTION DE NOEUDS - PROFILKOMBINATIONEN - SECTION DRAWINGS



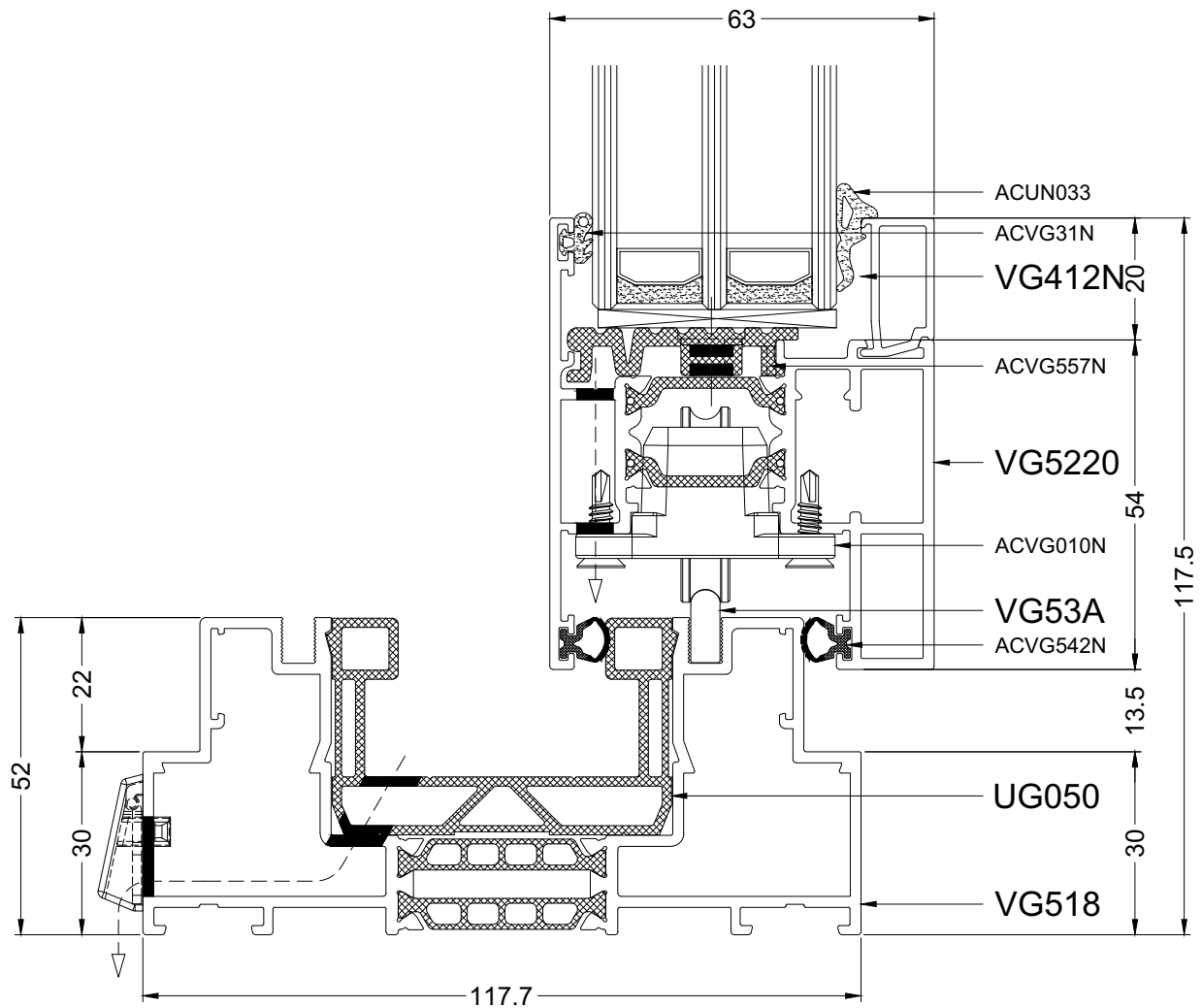
(BOTTOM)VG518-VG521N(IN)

aliplast
member of

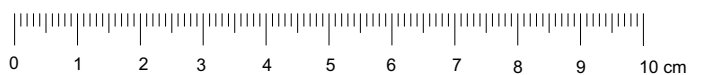


VG500

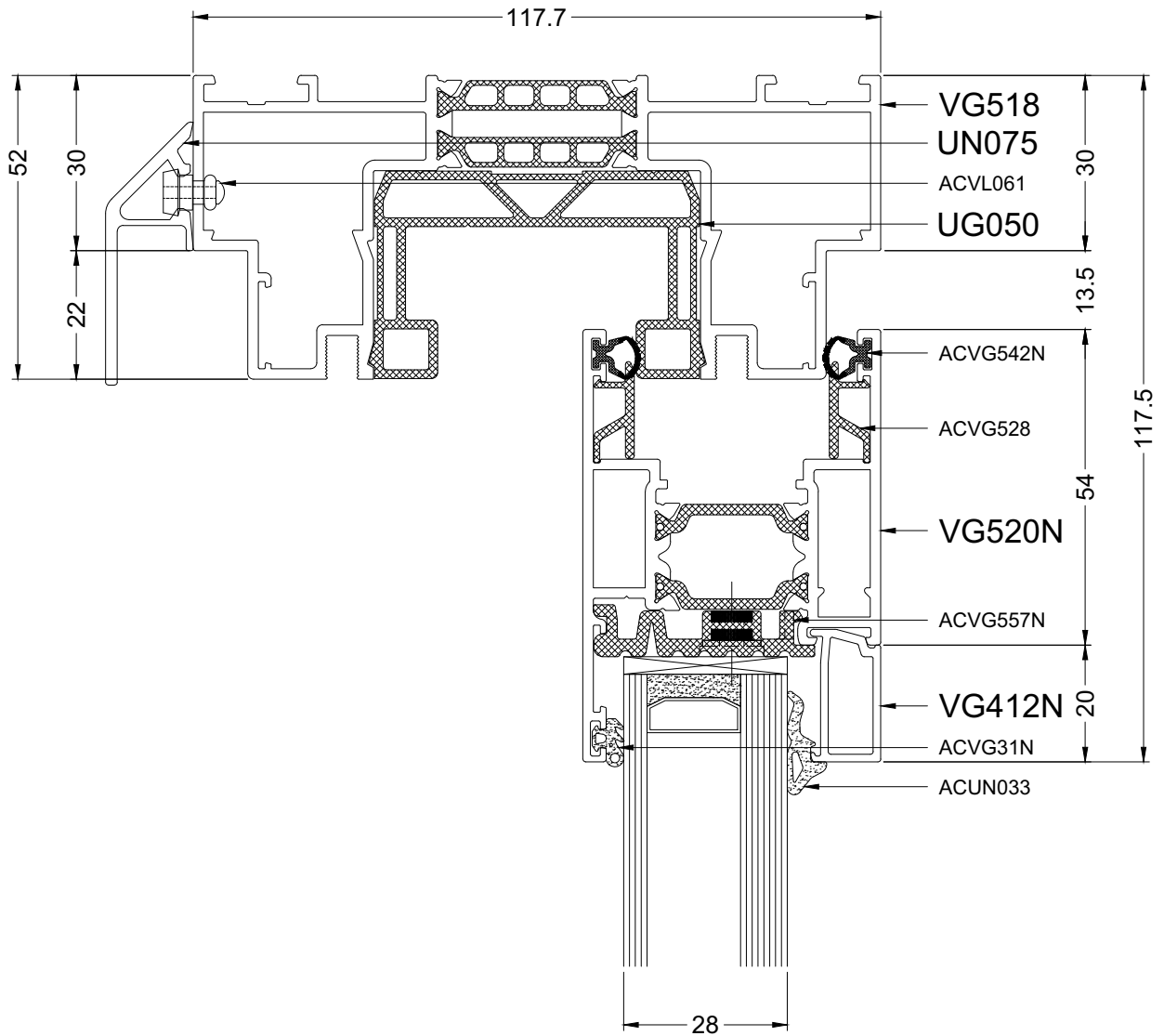
2H



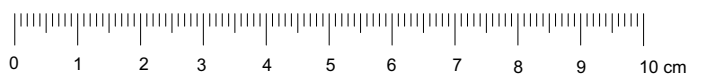
(BOTTOM)VG518-VG5220(IN)



3A



DOORSNEDETEKENINGEN - SECTION DE NOEUDS - PROFILKOMBINATIONEN - SECTION DRAWINGS



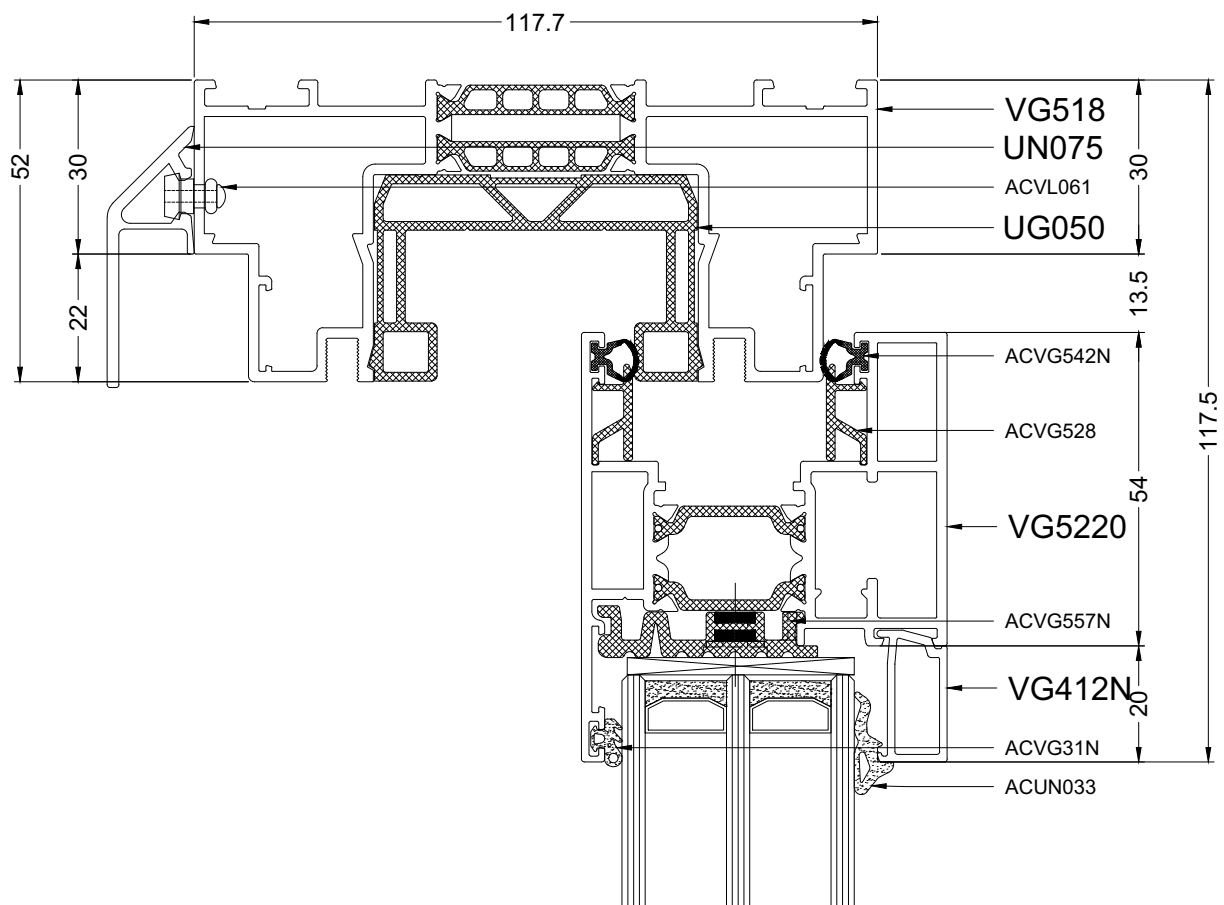
(TOP)VG518-VG520N(IN)

aliplast
member of



VG500

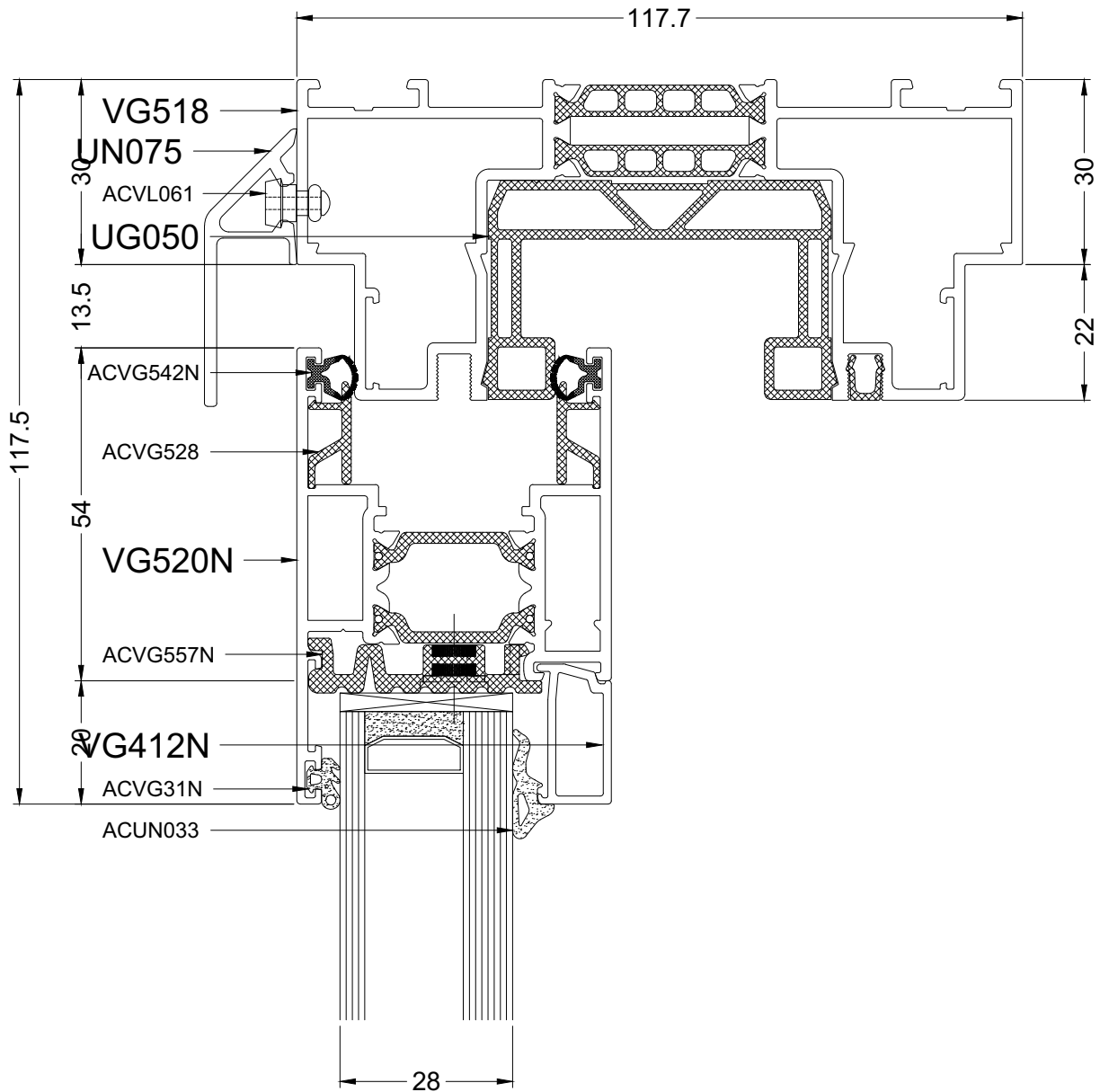
3B



(TOP)VG518-VG5220(IN)



3C



(TOP)VG518-VG520N(OUT)

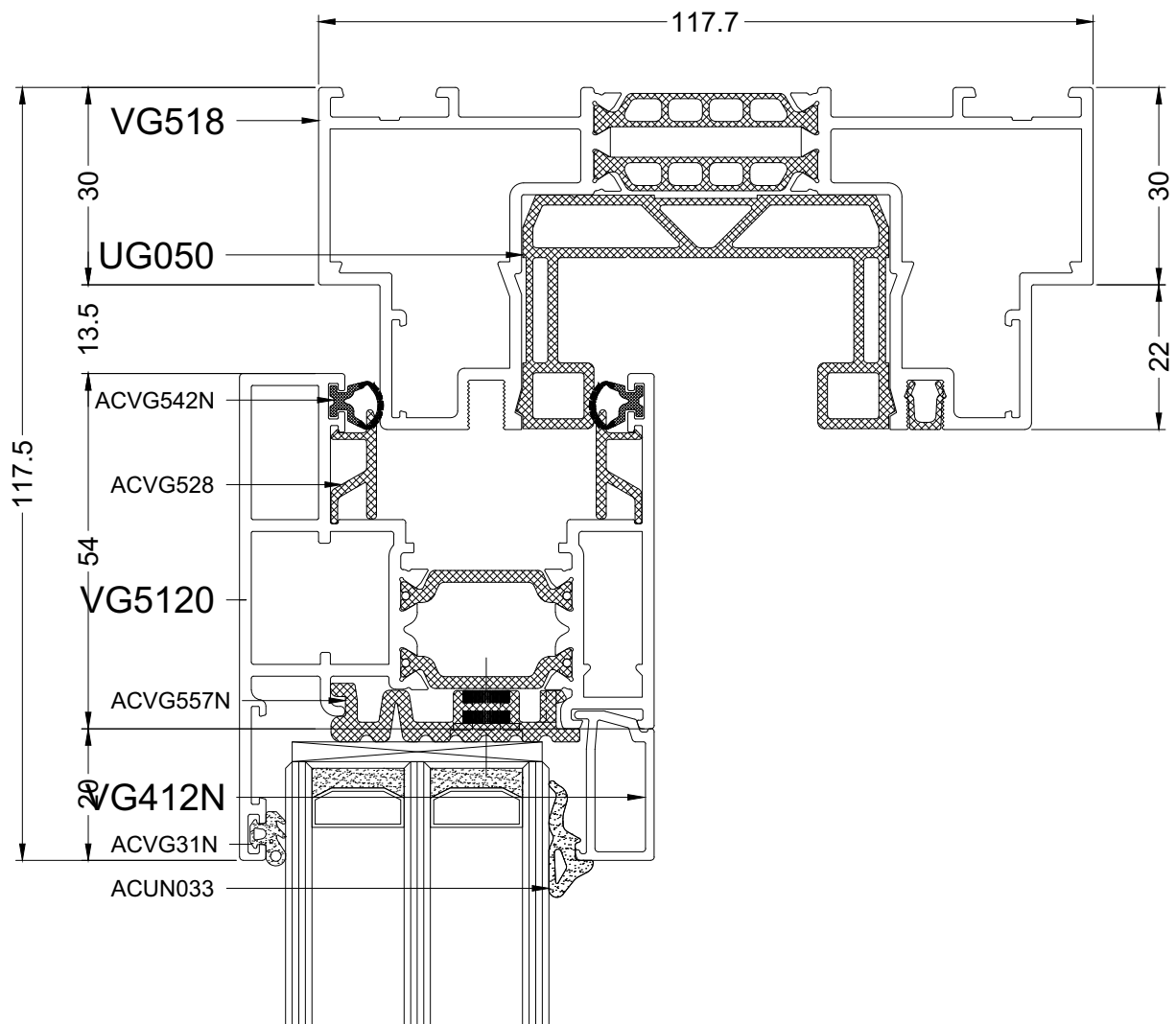
aliplast
member of



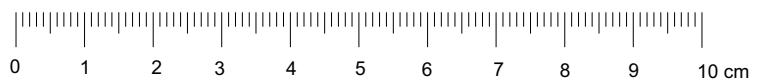
DOORSNEDETEKENINGEN - SECTION DE NOEUDS - PROFILKOMBINATIONEN - SECTION DRAWINGS

VG500

3D

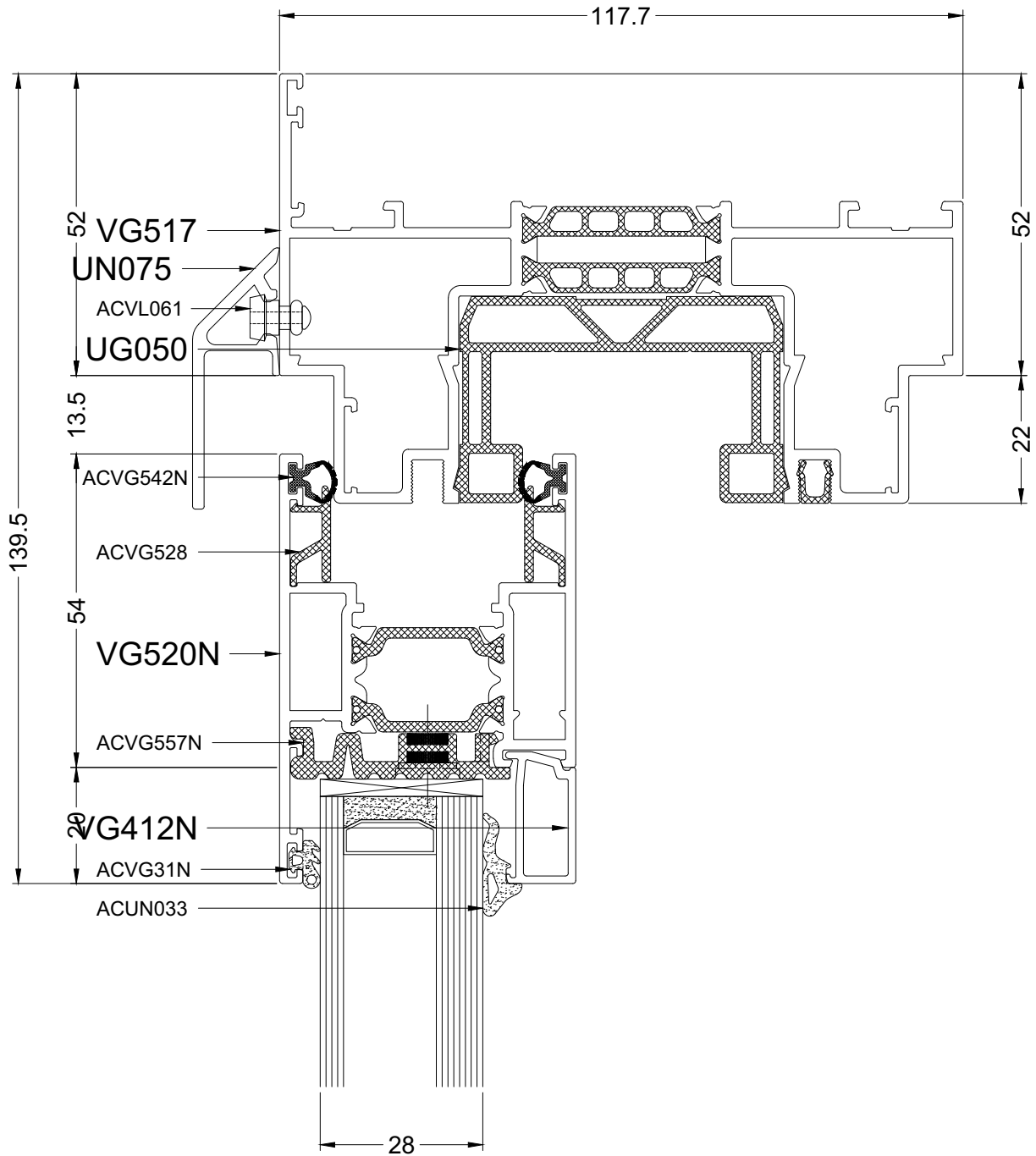


(TOP)VG518-VG5120(OUT)



160

3E



(TOP)VG517-VG520N(OUT)

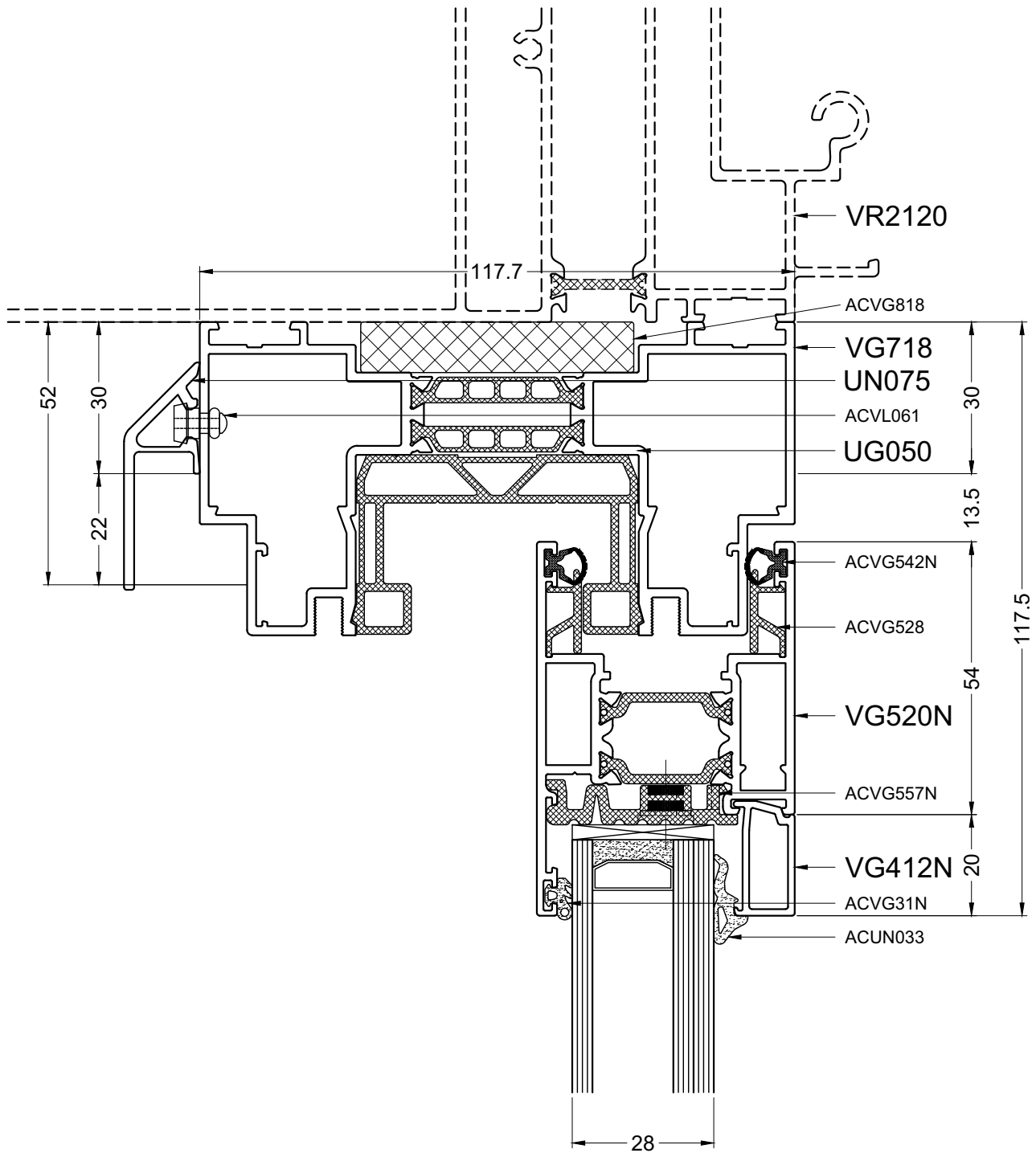
aliplast
member of



DOORSNEDETEKENINGEN - SECTION DE NOEUDS - PROFILKOMBINATIONEN - SECTION DRAWINGS

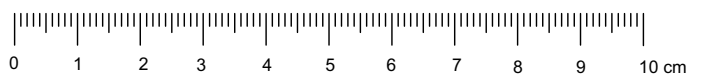
VG500

3F

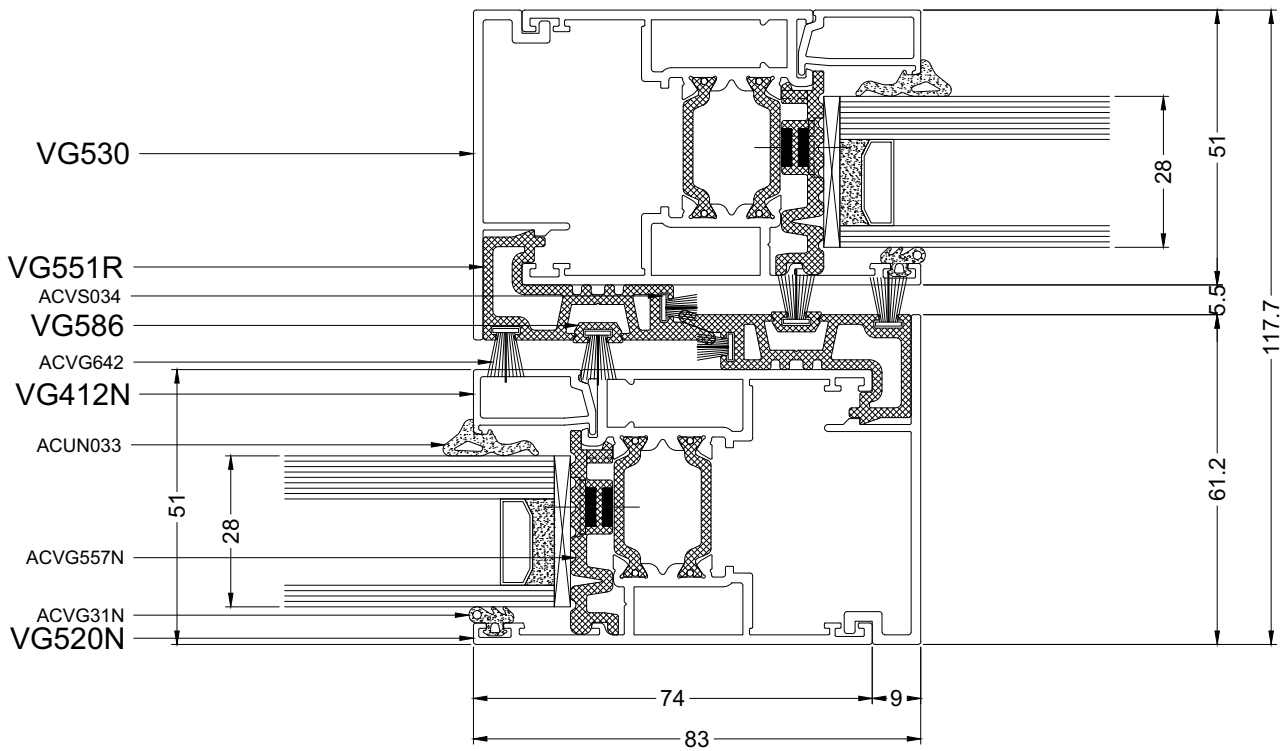


(TOP)VG718-VG520N(IN)

162



4A



DOORSNEDETEKENINGEN - SECTION DE NOEUDS - PROFILKOMBINATIONEN - SECTION DRAWINGS

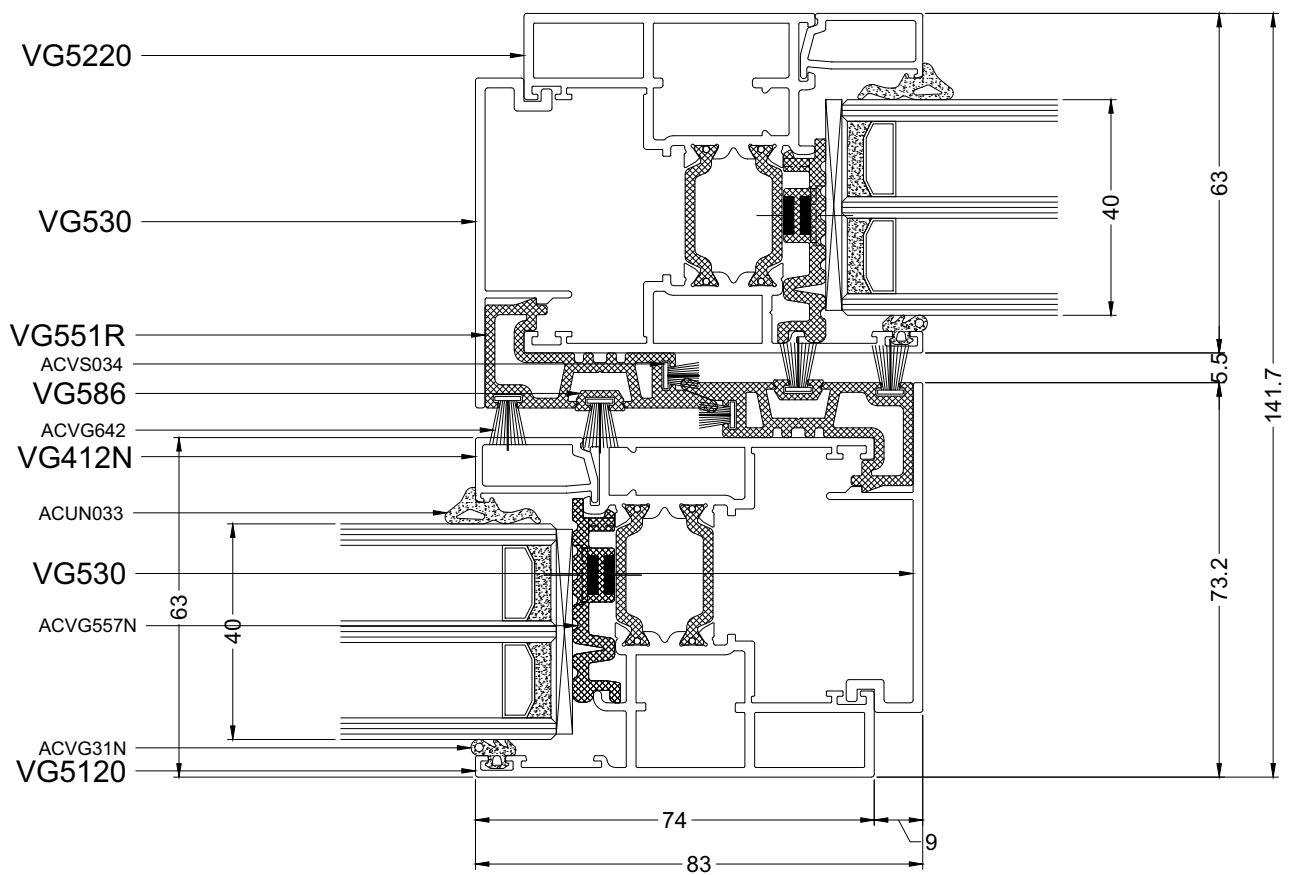
(VG530)-VG520N-VG520N(VG530)

aliplast
member of



VG500

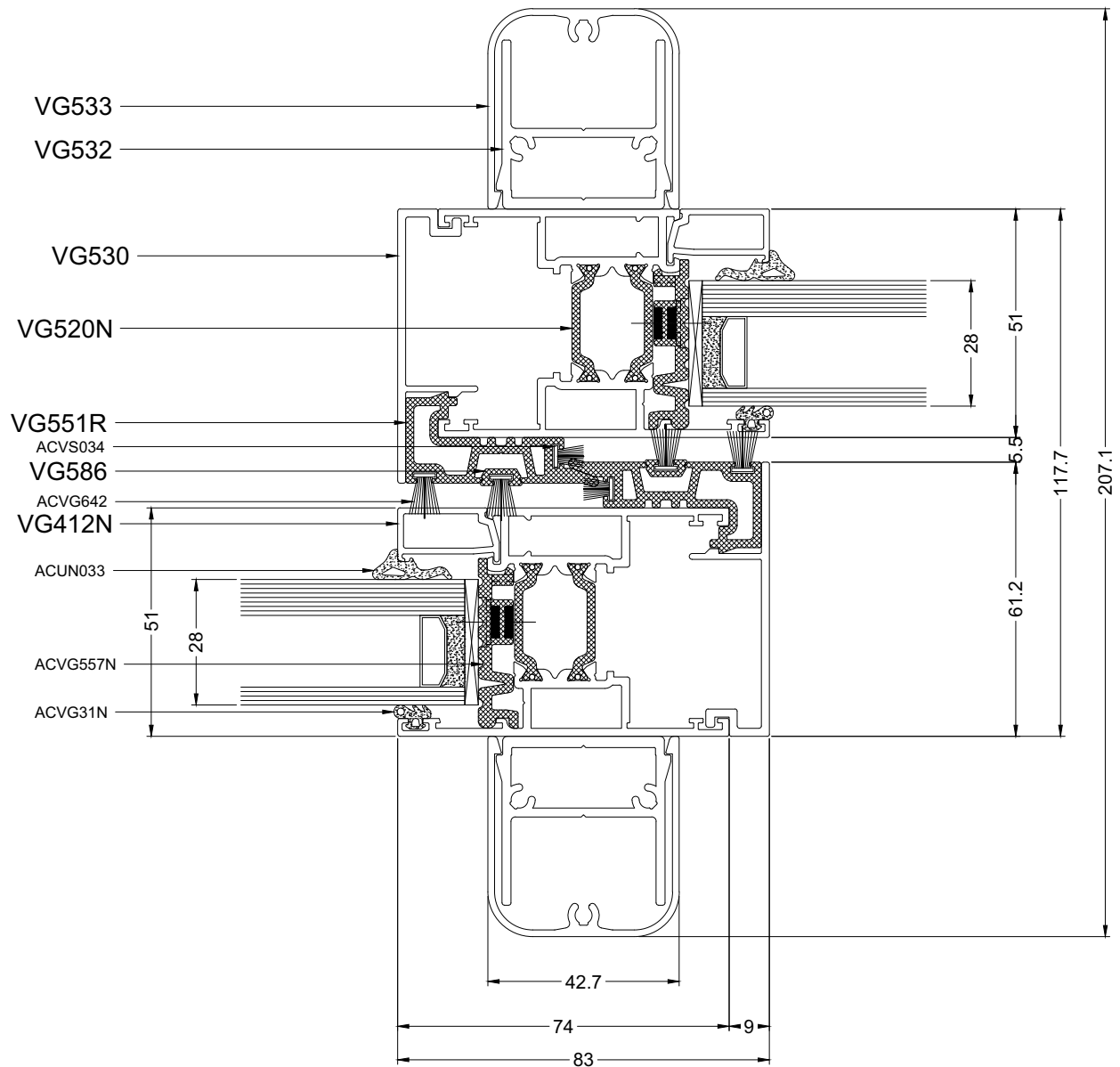
4B



(VG530)-VG5120-VG5220(VG530)



4C



DOORSNEDETEKENINGEN - SECTION DE NOEUDS - PROFILKOMBINATIONEN - SECTION DRAWINGS

(VG530+VG532+VG533)-VG520N-VG520N(VG530+VG532+VG533)

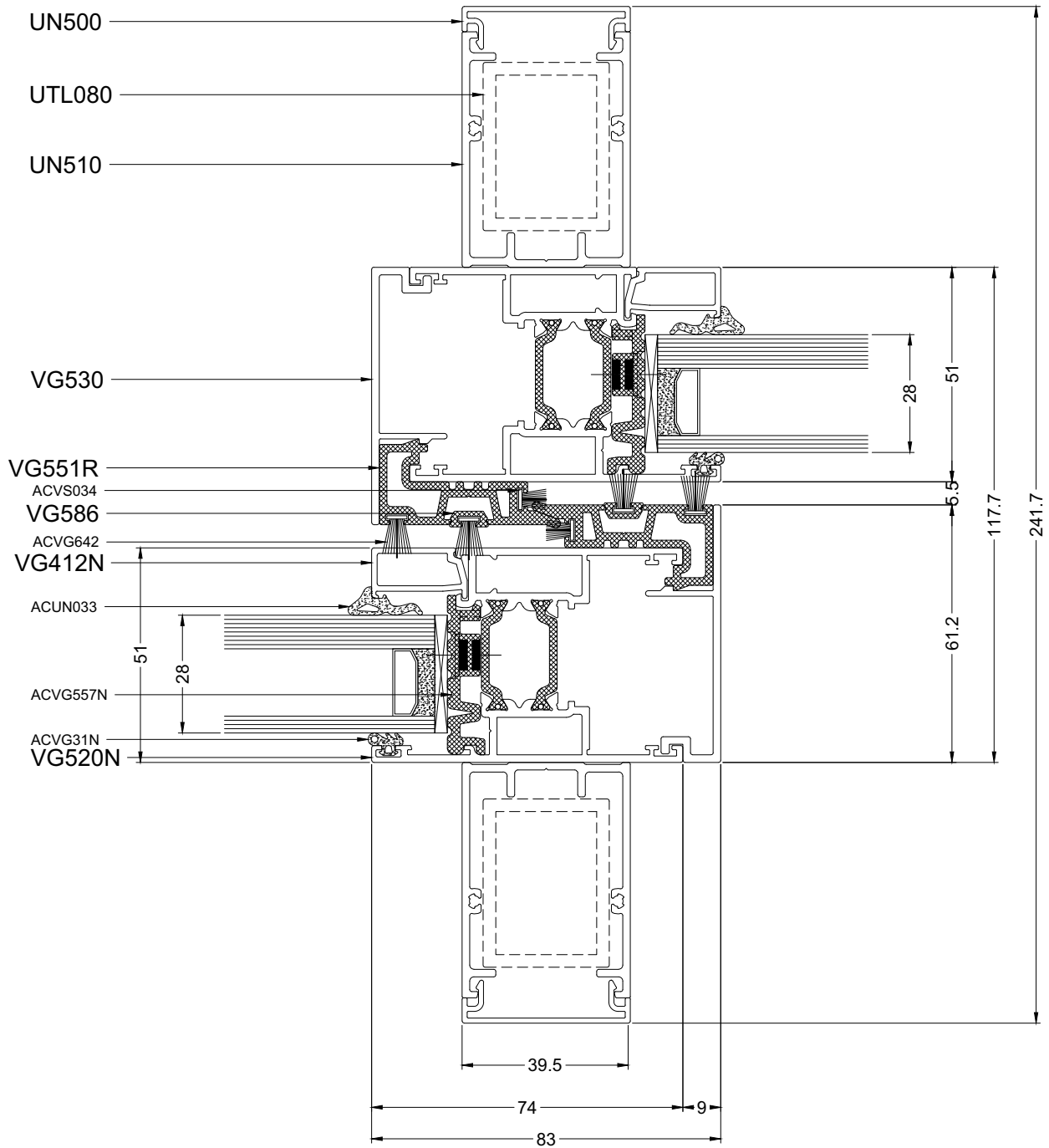


aliplast
member of

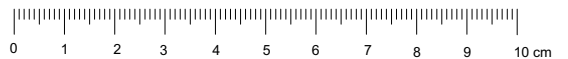


VG500

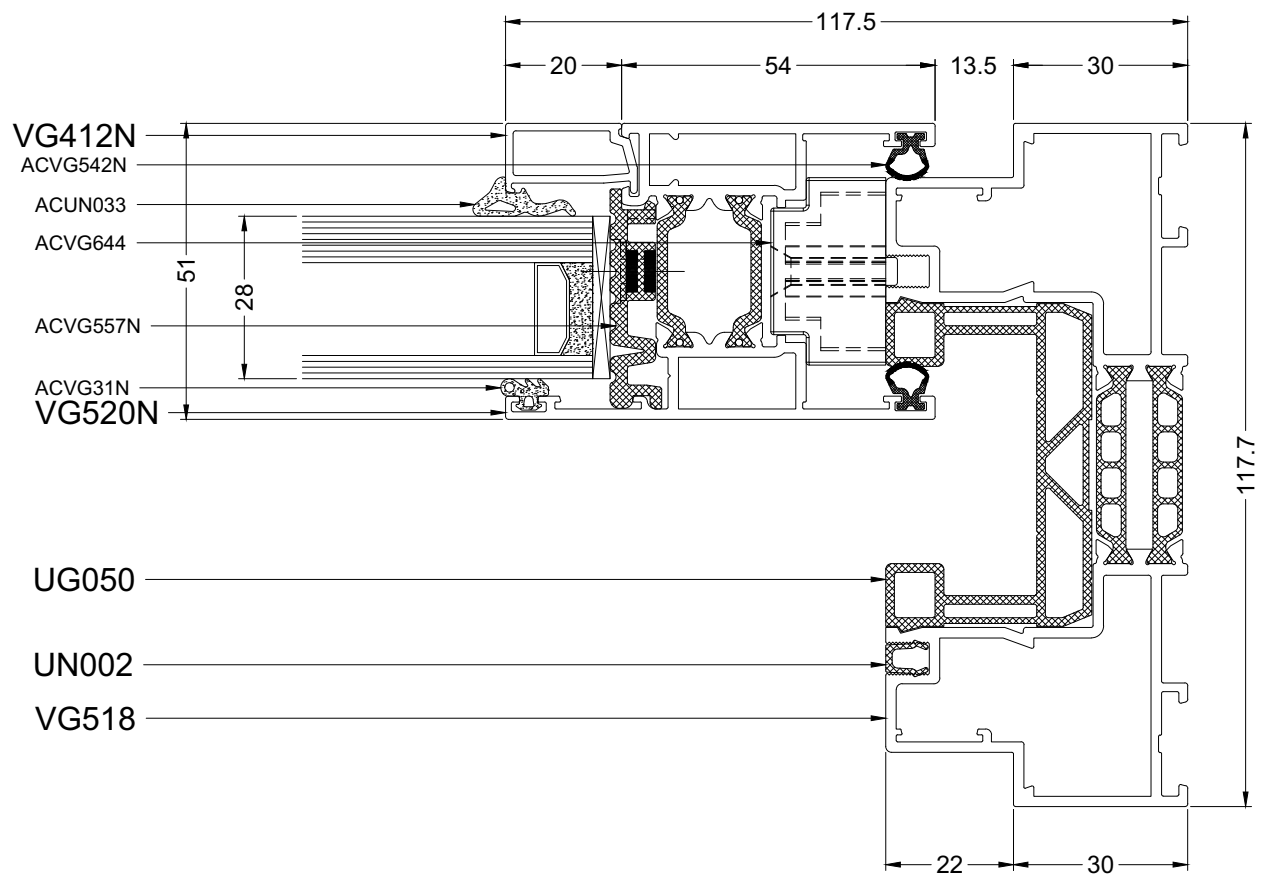
4D



(VG530+UN510)-VG520N-VG520N(VG530+UN510)



5A



DOORSNEDETEKENINGEN - SECTION DE NOEUDS - PROFILKOMBINATIONEN - SECTION DRAWINGS



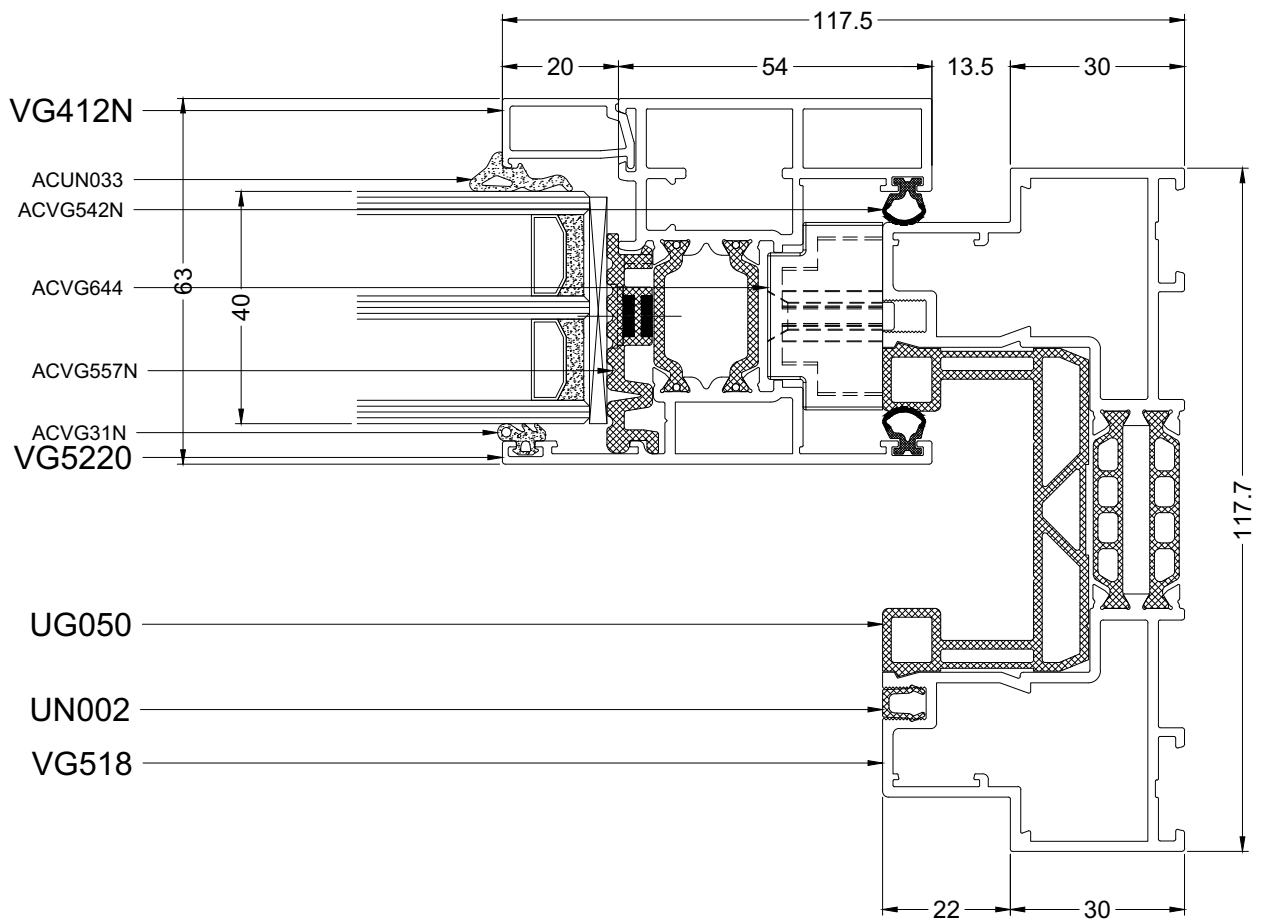
(SIDE)VG518-VG520N(IN)(FIX)

aliplast
member of



VG500

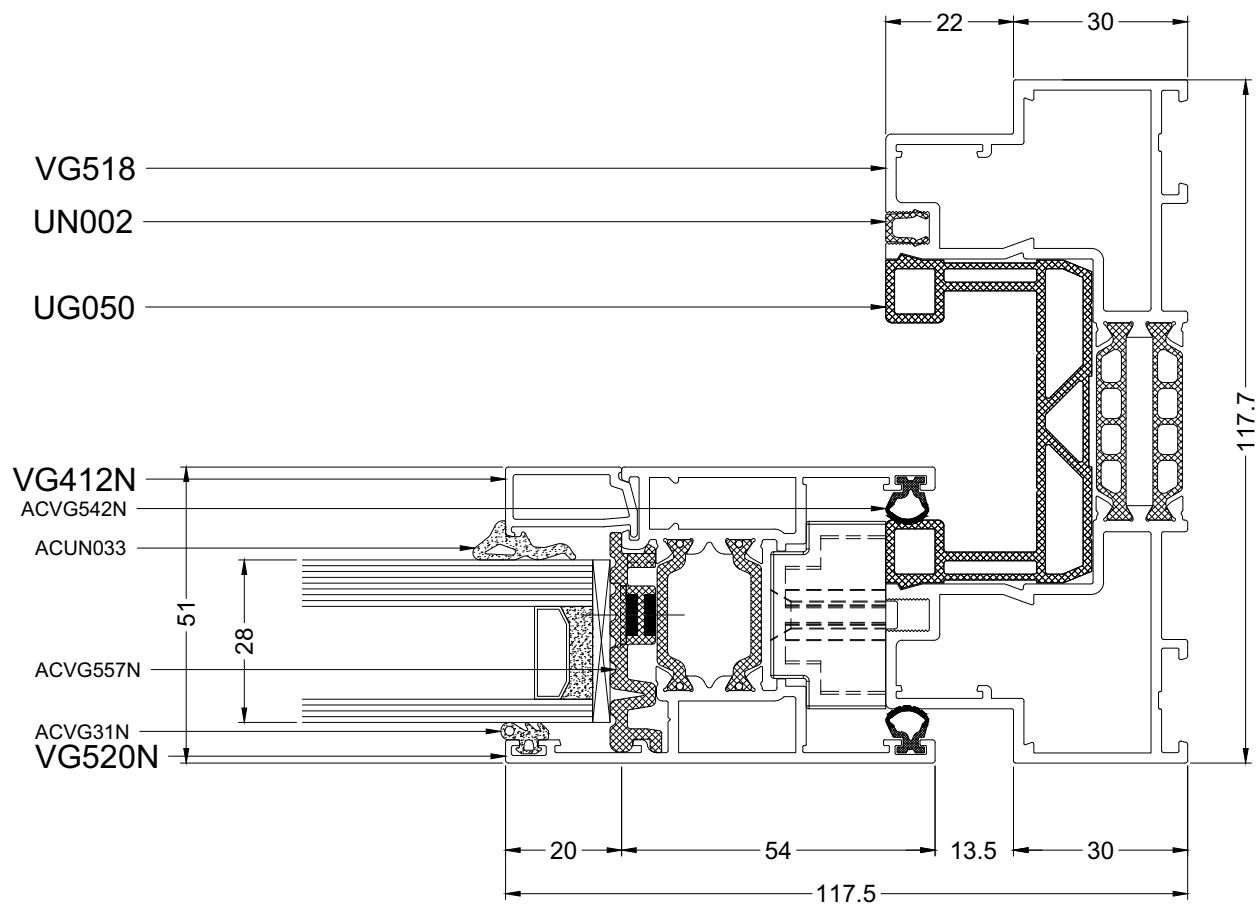
5B



(SIDE)VG518-VG5220(IN)(FIX)



5C



(SIDE)VG518-VG520N(OUT)(FIX)

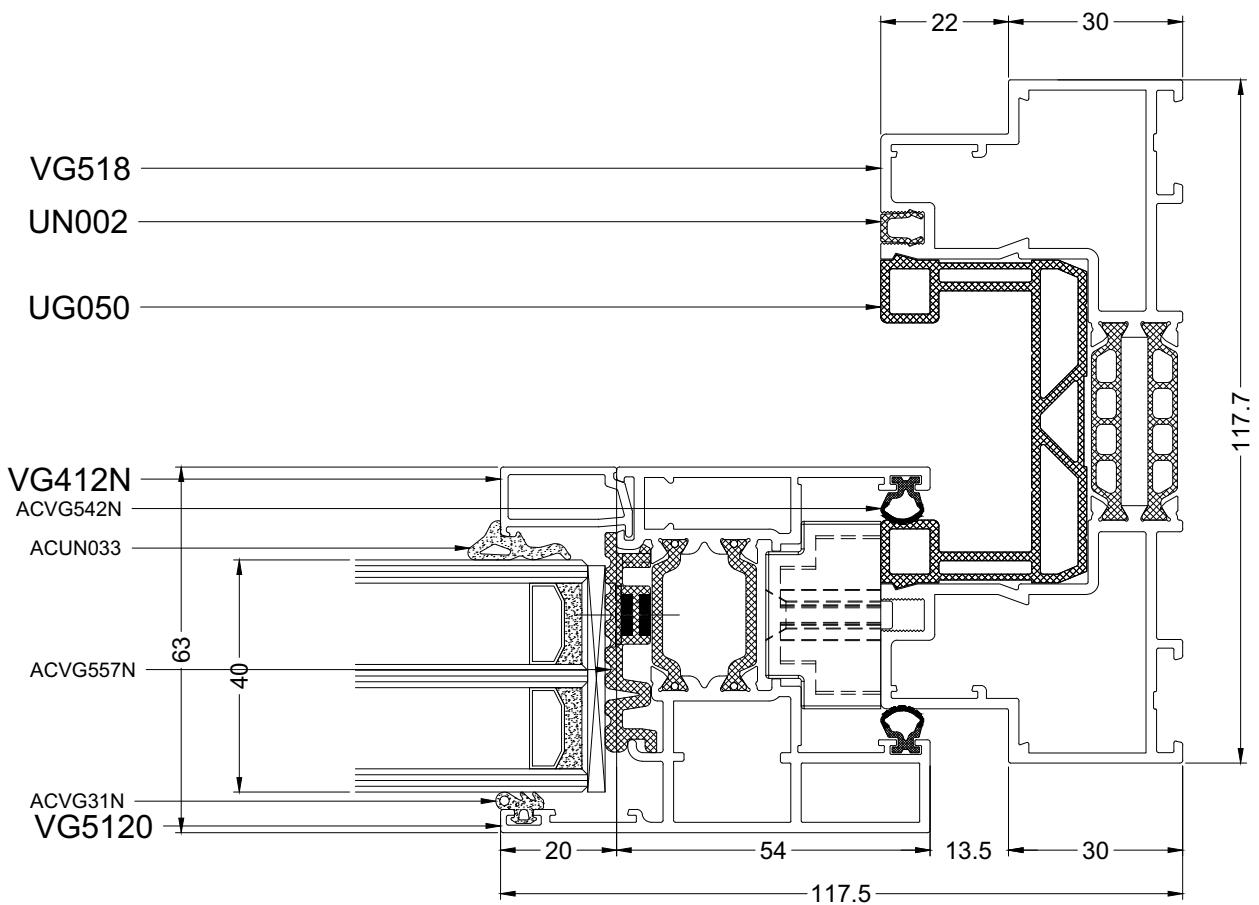
aliplast
member of



DOORSNEDETEKENINGEN - SECTION DE NOEUDS - PROFILKOMBINATIONEN - SECTION DRAWINGS

VG500

5D

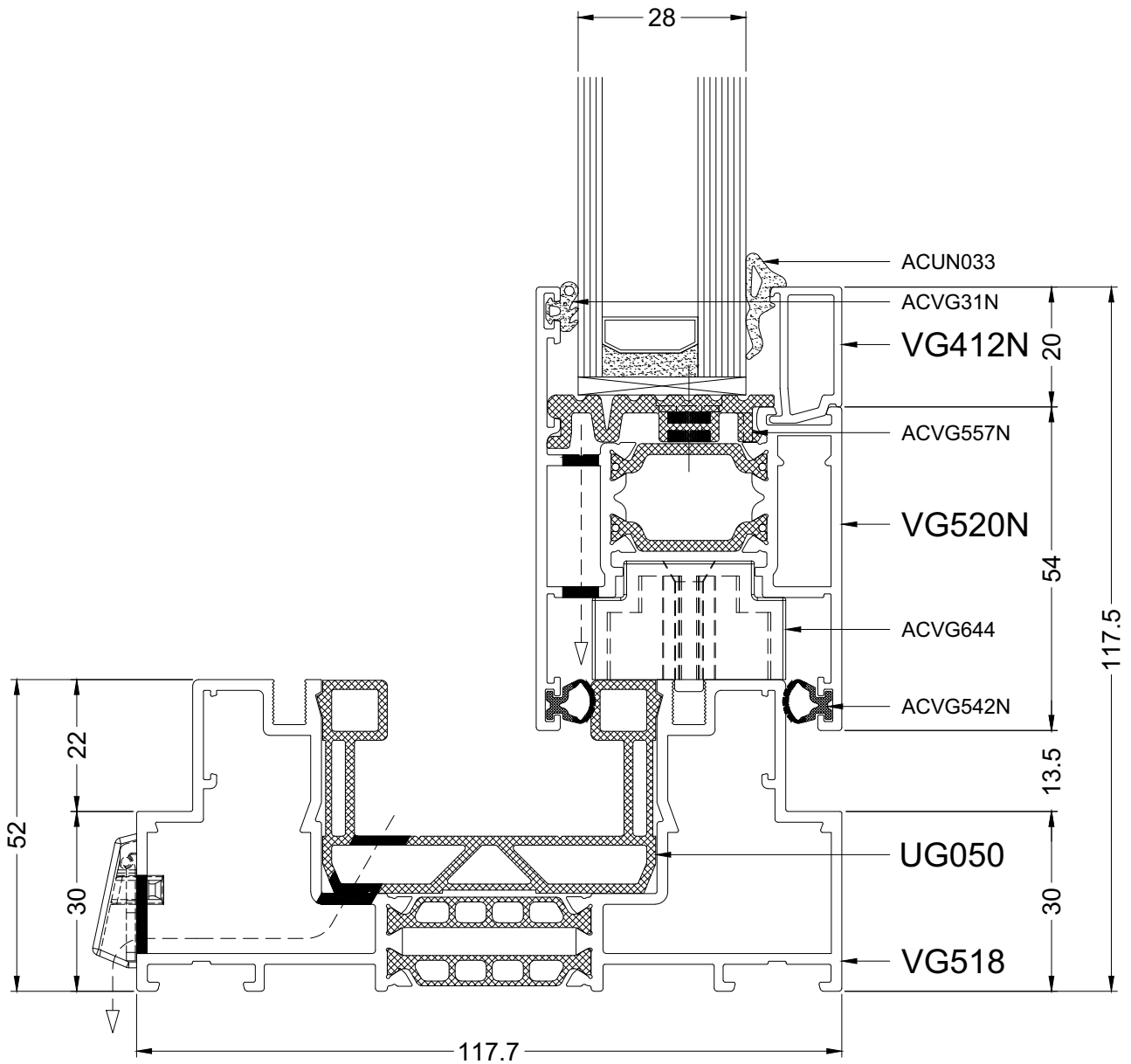


(SIDE)VG518-VG5120(OUT)(FIX)



170

6A



DOORSNEDETEKENINGEN - SECTION DE NOEUDS - PROFILKOMBINATIONEN - SECTION DRAWINGS



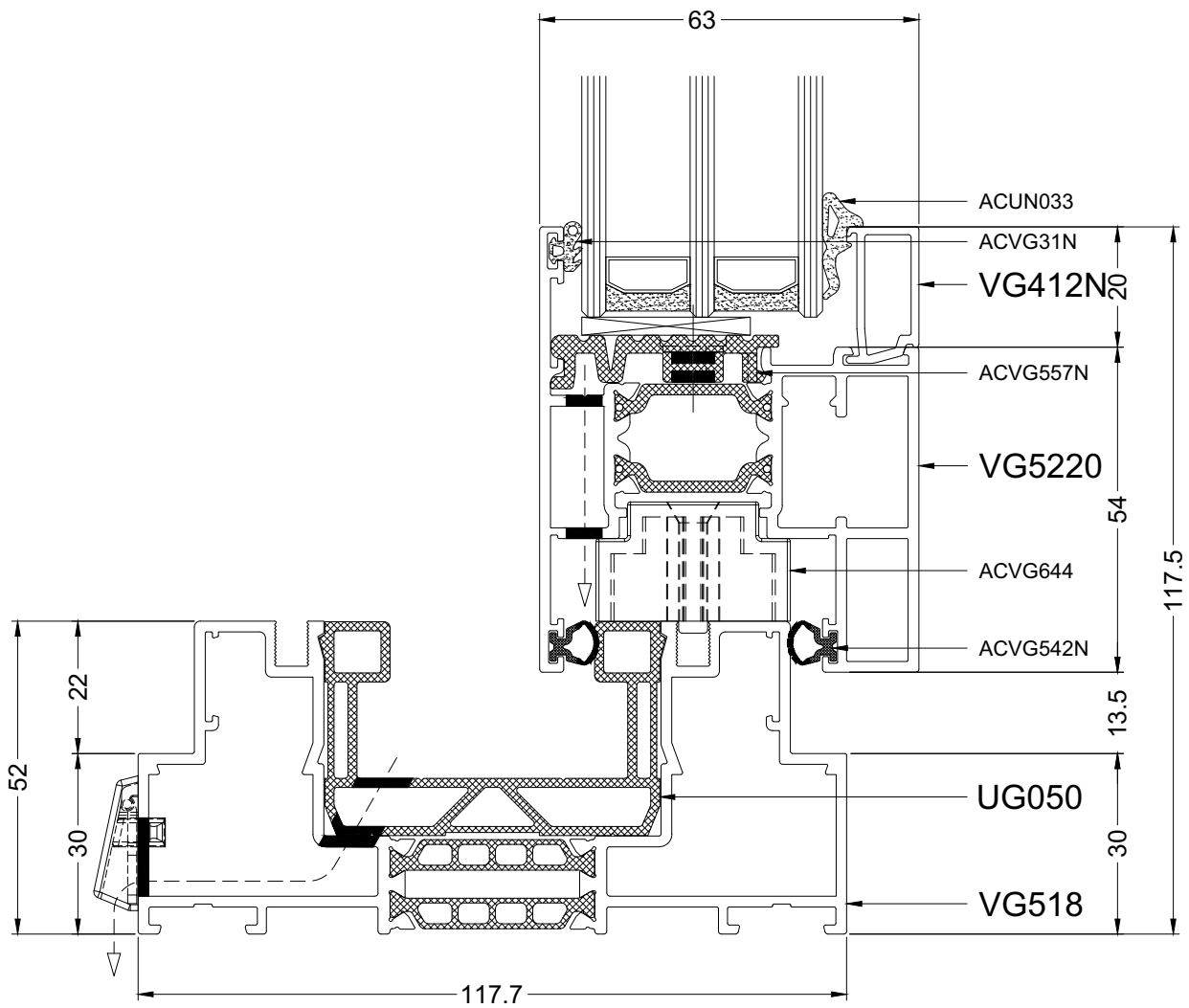
(BOTTOM)VG518-VG520N(IN)(FIX)

aliplast
member of

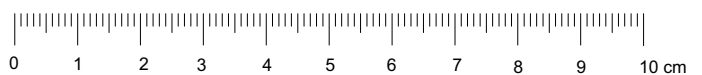


VG500

6B

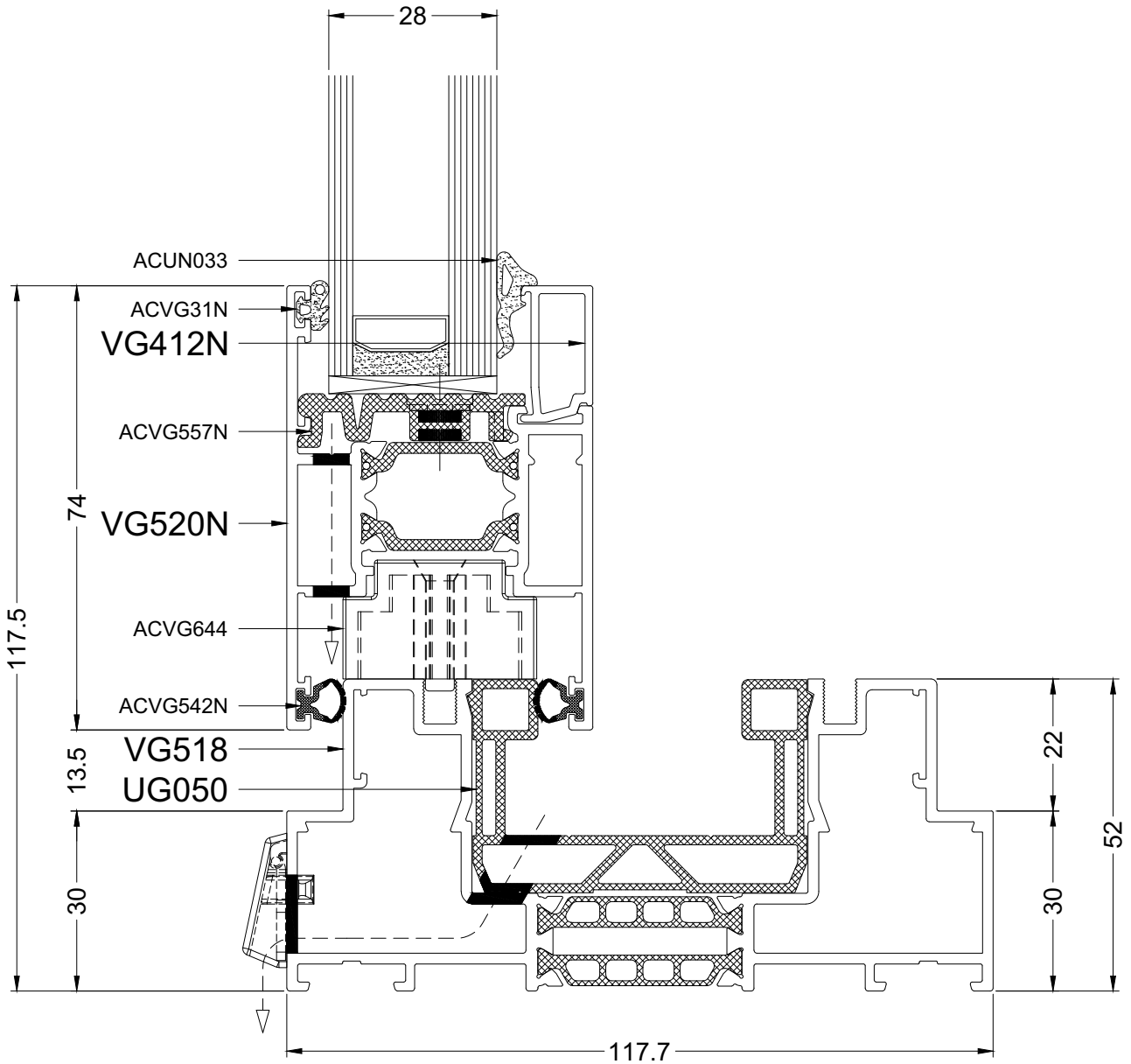


(BOTTOM)VG518-VG5220(IN)(FIX)



172

6C



DOORSNEDETEKENINGEN - SECTION DE NOEUDS - PROFILKOMBINATIONEN - SECTION DRAWINGS



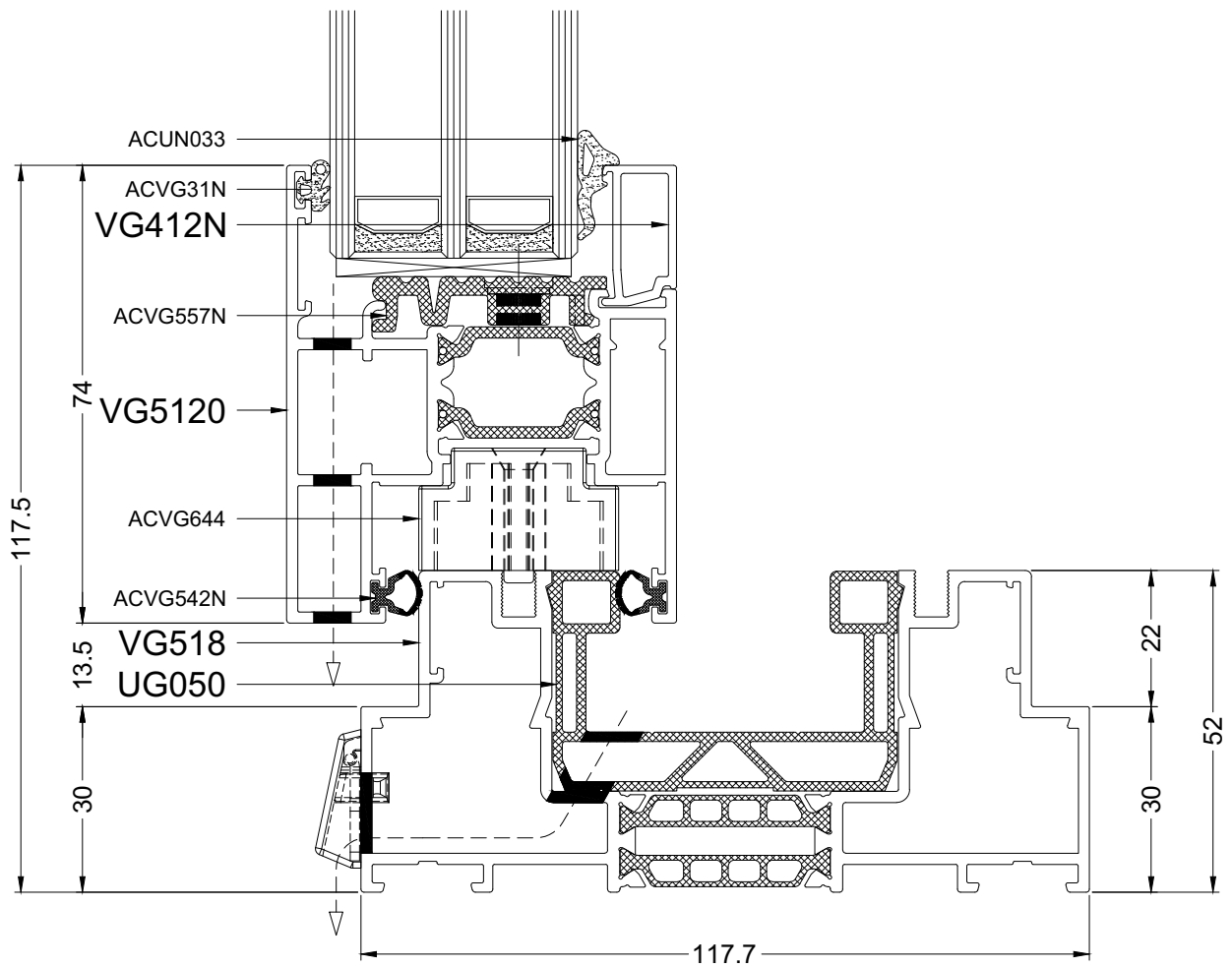
(BOTTOM)VG518-VG520N(OUT)(FIX)

aliplast
member of

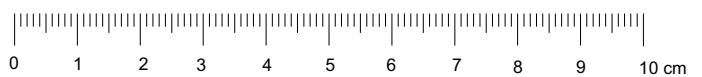


VG500

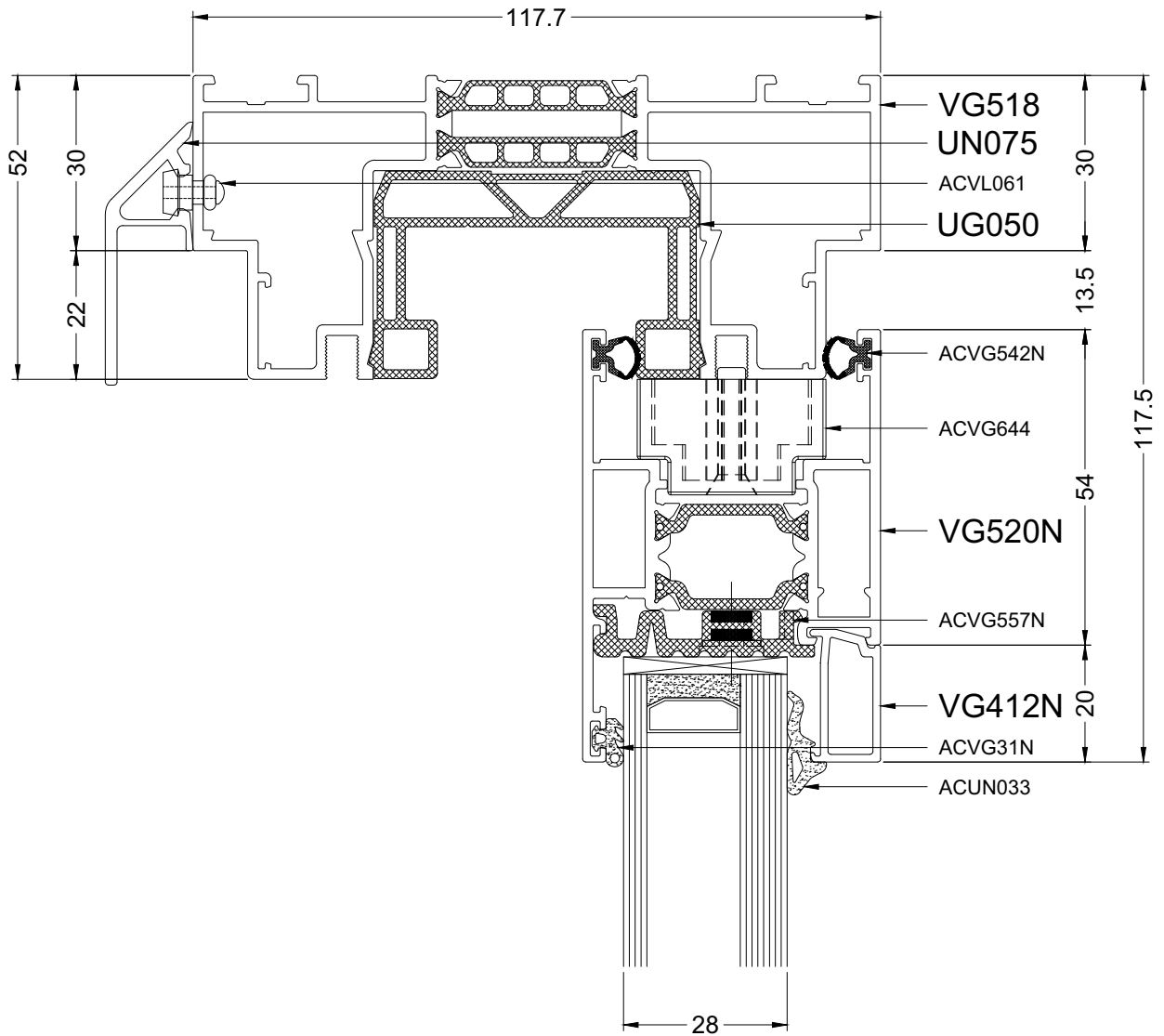
6D



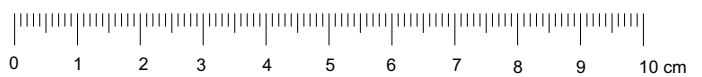
(BOTTOM)VG518-VG5120(OUT)(FIX)



7A



DOORSNEDETEKENINGEN - SECTION DE NOEUDS - PROFILKOMBINATIONEN - SECTION DRAWINGS



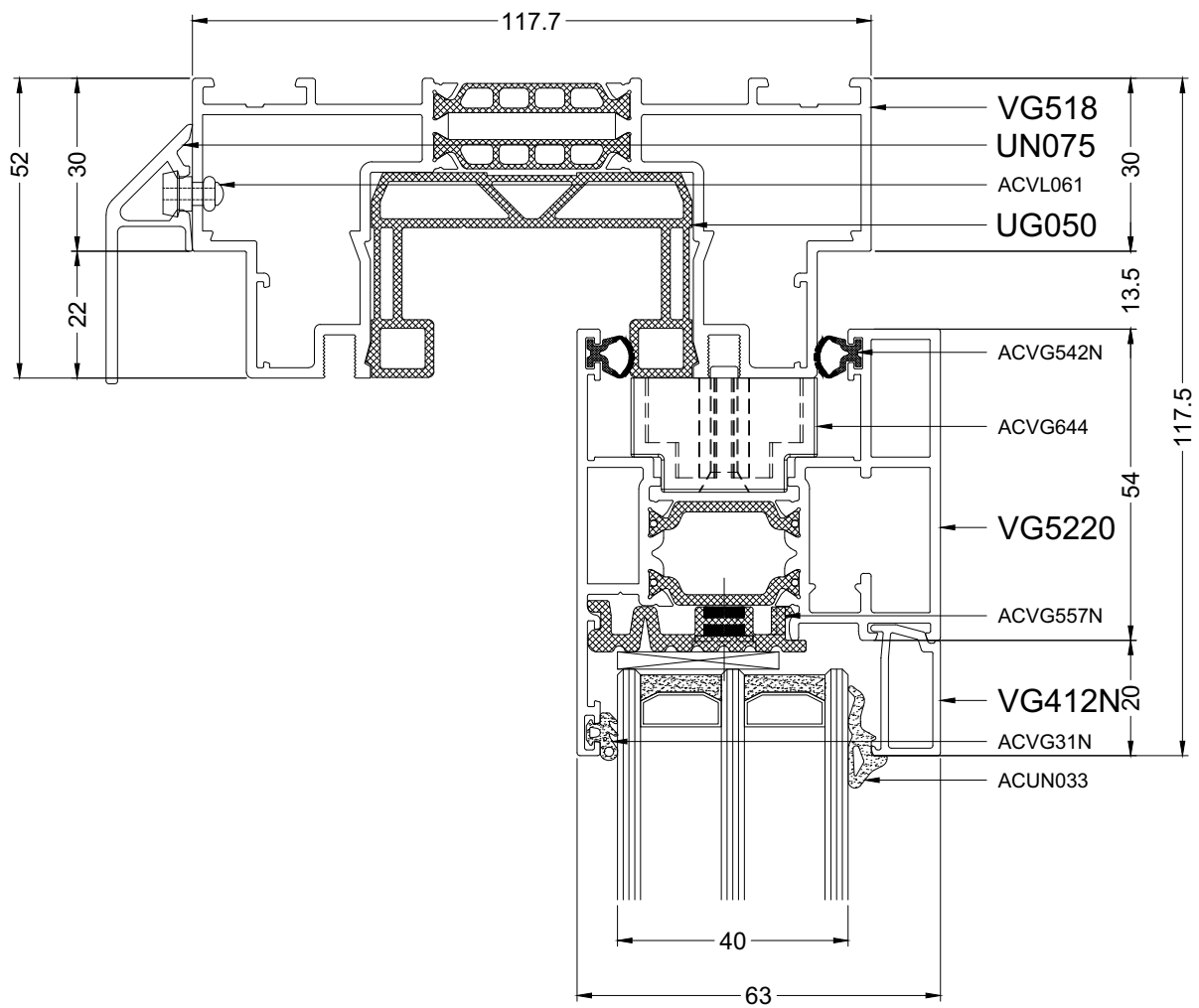
(TOP)VG518-VG520N(IN)(FIX)

aliplast
member of



VG500

7B

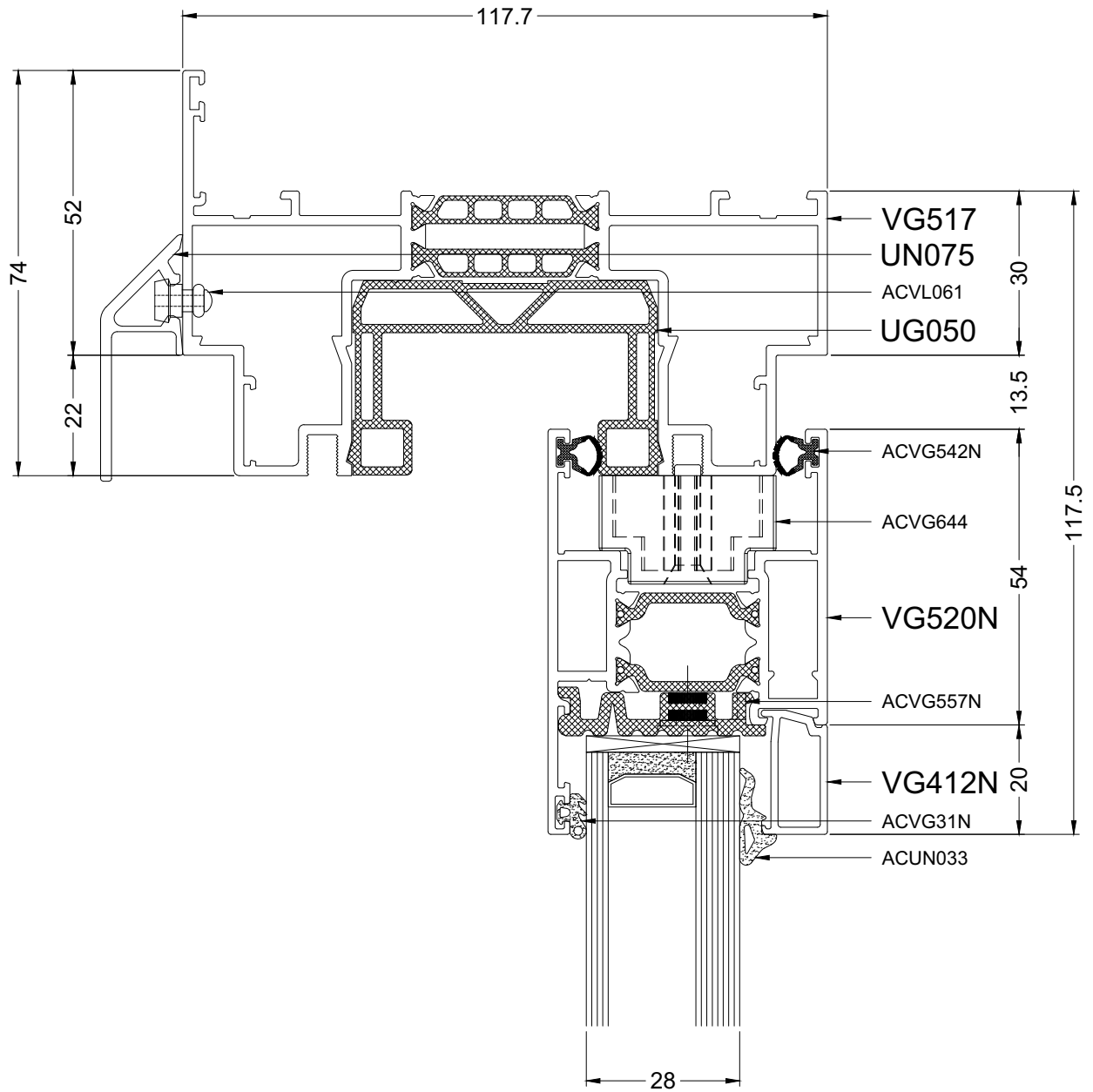


(TOP)VG518-VG5220(IN)(FIX)

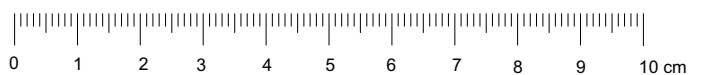


176

7C



DOORSNEDETEKENINGEN - SECTION DE NOEUDS - PROFILKOMBINATIONEN - SECTION DRAWINGS



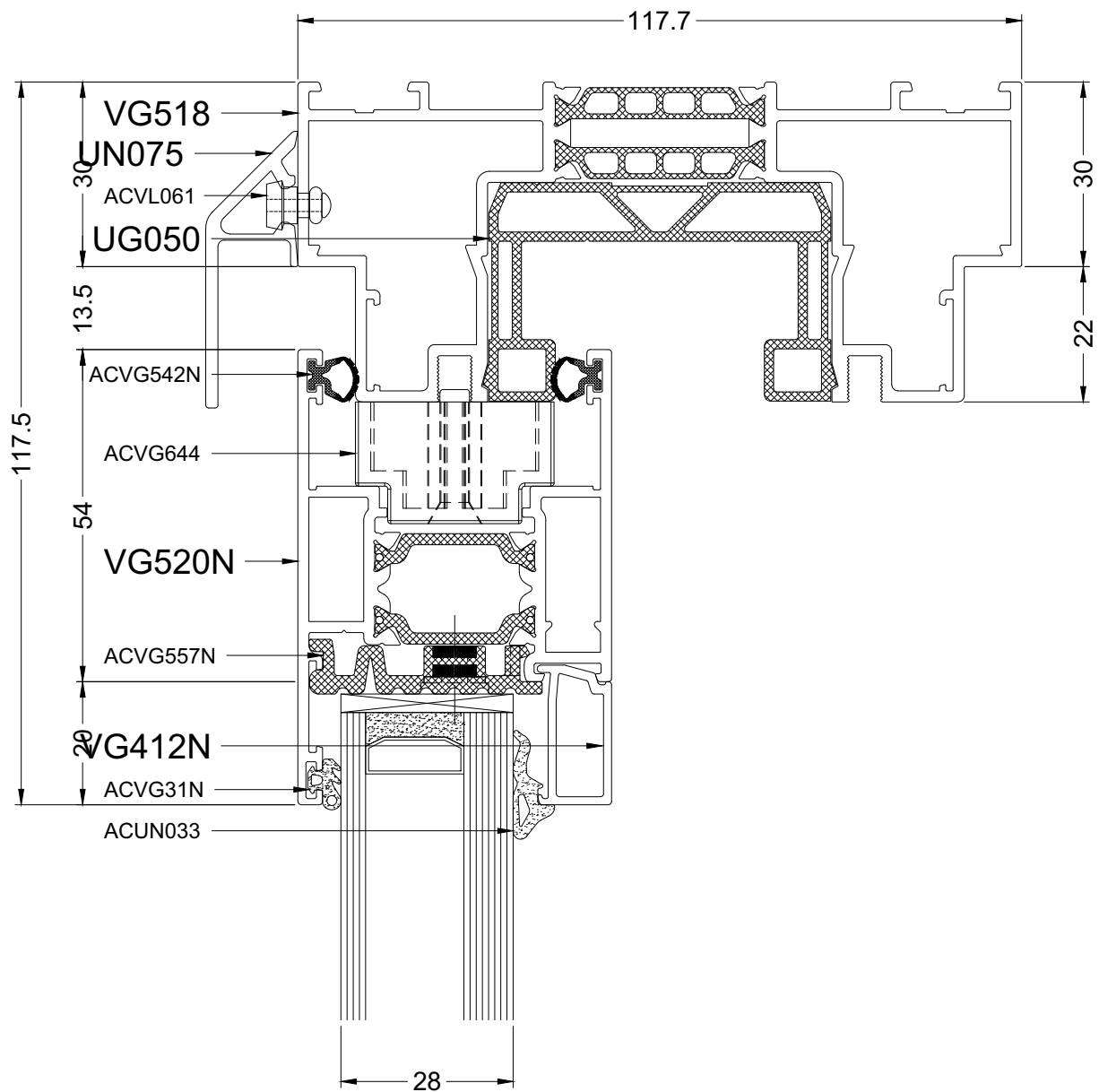
(TOP)VG517-VG520N(IN)(FIX)

aliplast
member of



VG500

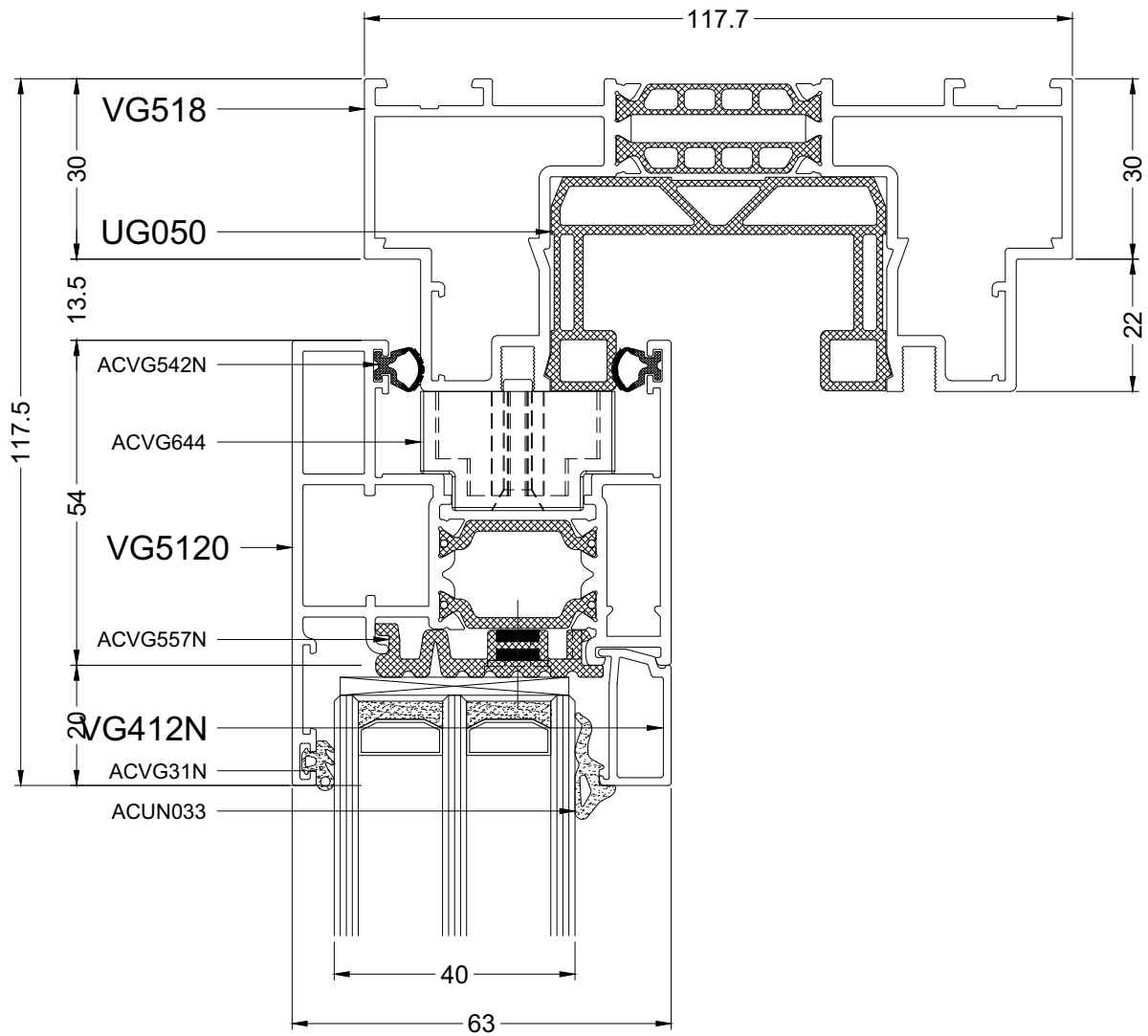
7D



(TOP)VG518-VG520N(OUT)(FIX)



7E



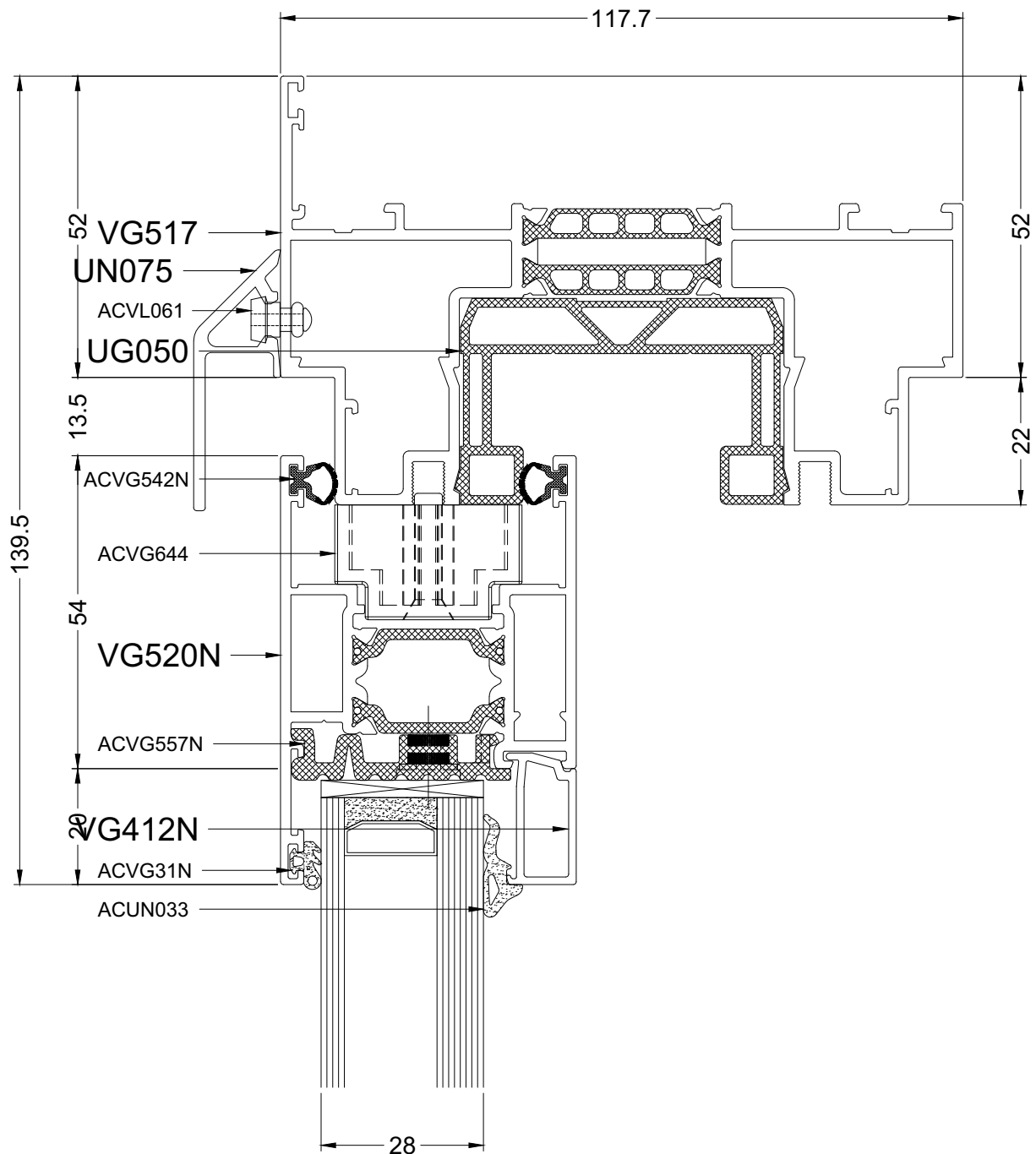
(TOP)VG518-VG5120(OUT)(FIX)

aliplast
member of



VG500

7E



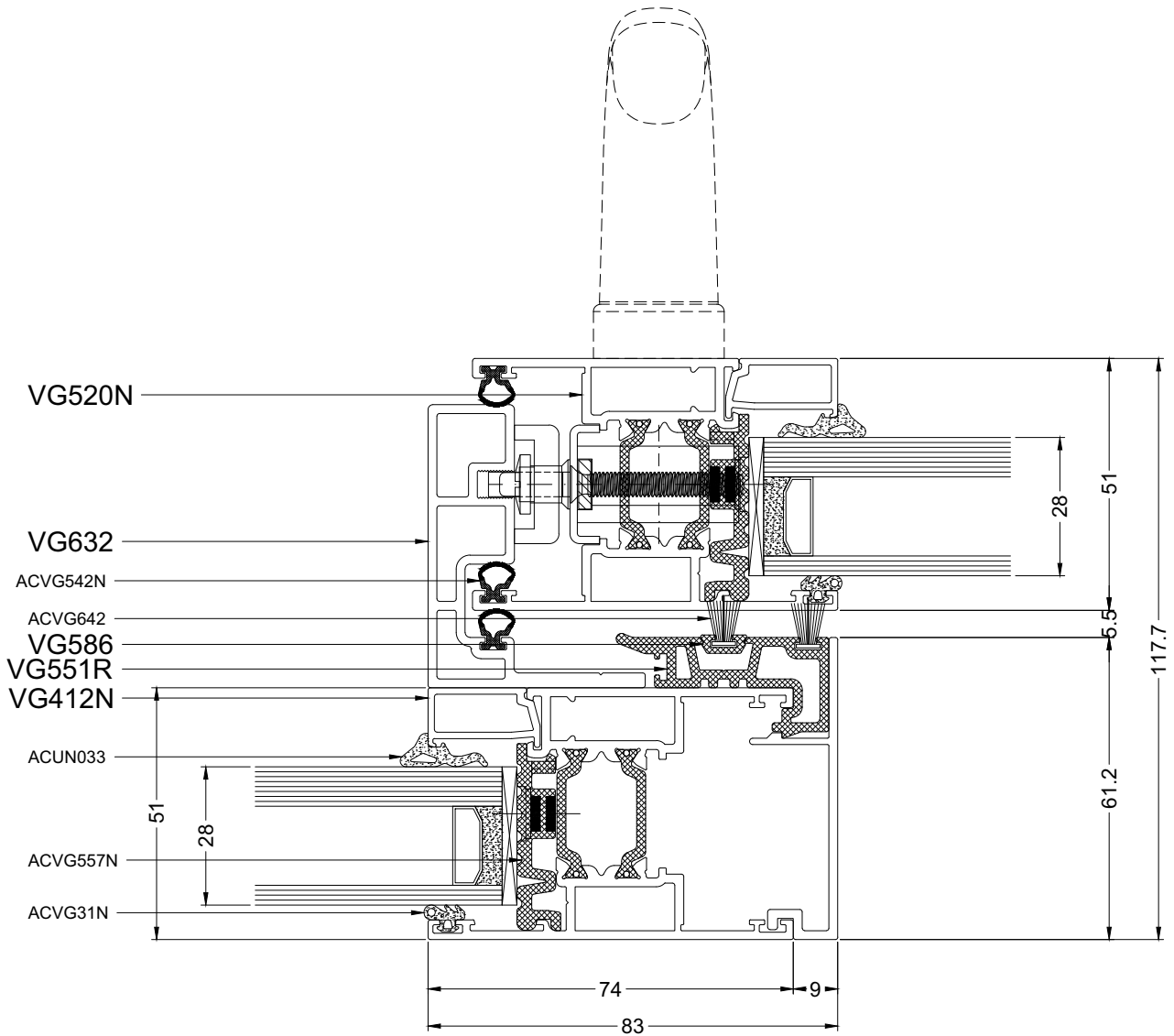
(TOP)VG517-VG520N(OUT)(FIX)



180

11A

| | | |
|------------|---|-----------------------------|
| OVERZICHT |  | ZIE SZ CATALOGUS |
| APERCU | | VOIR LE CATALOGUE SZ |
| OVERVIEW | | SEE SZ CATALOG |
| UEBERSICHT | | SIEHE SZ KATALOG |



(VG632)VG520N-VG520N(VG530)

aliplast
member of

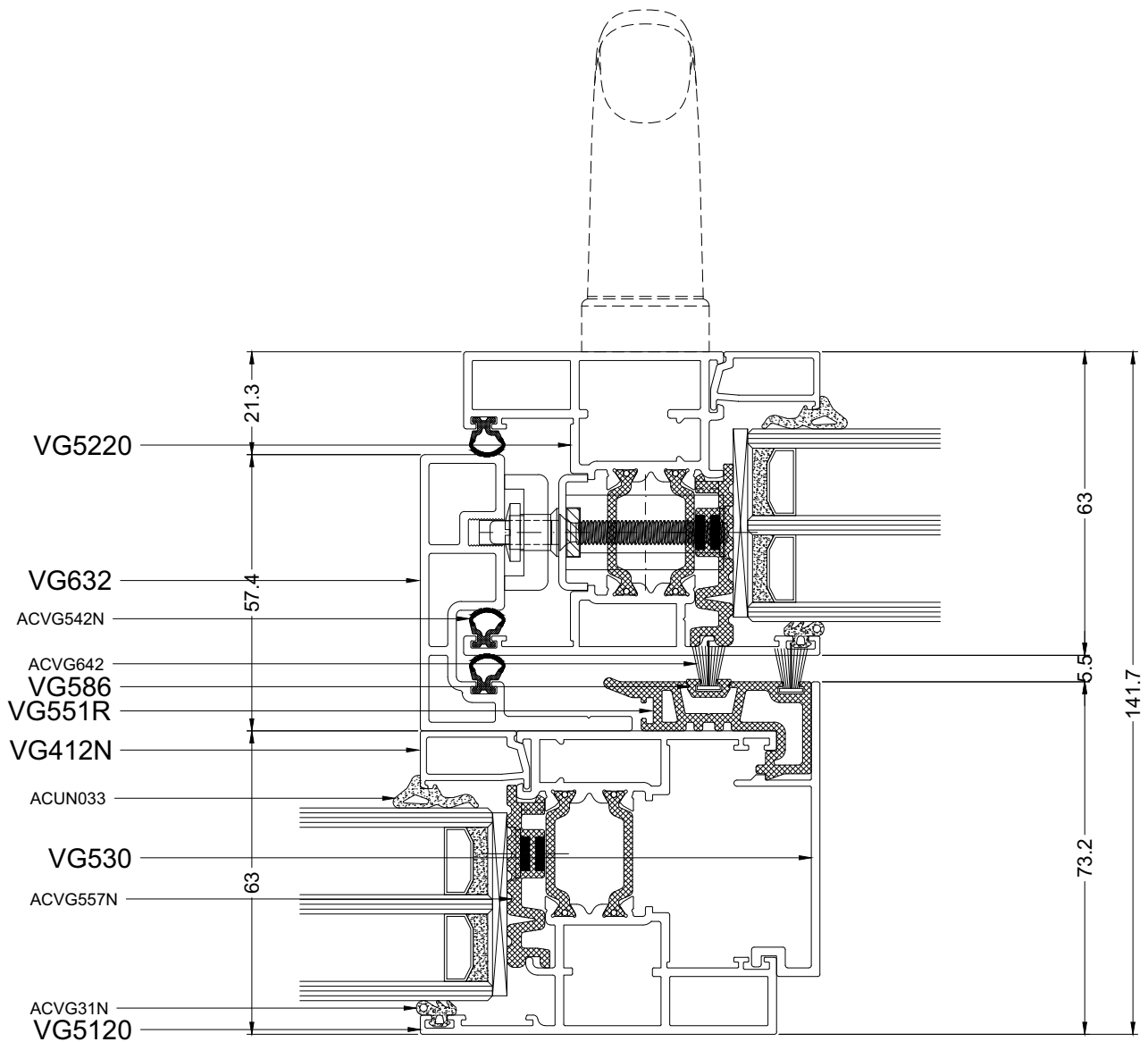


DOORSNEDETEKENINGEN - SECTION DE NOEUDS - PROFILKOMBINATIONEN - SECTION DRAWINGS

VG500

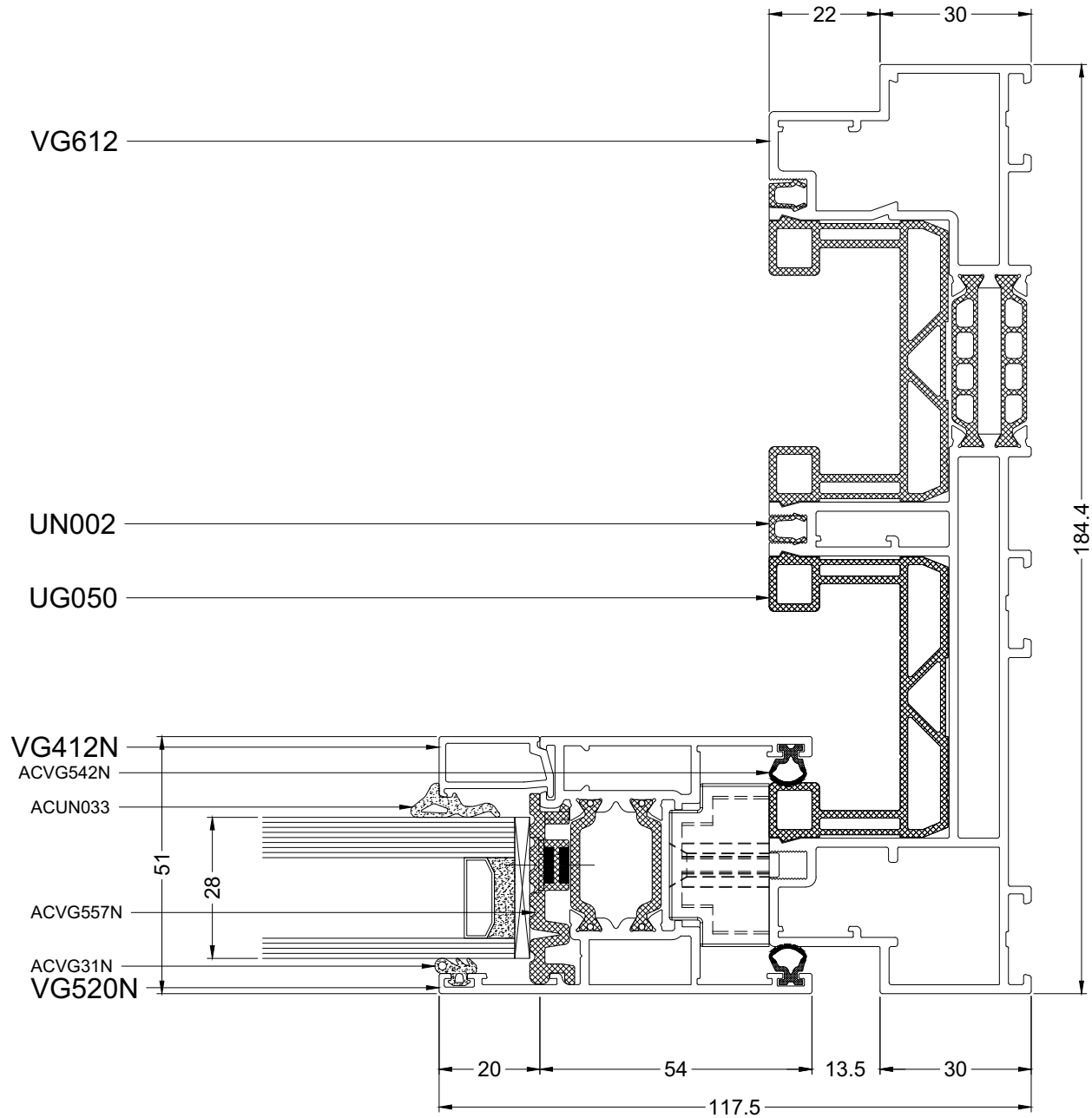
11B

| | | |
|------------|---|----------------------|
| OVERZICHT |  | ZIE SZ CATALOGUS |
| APERCU | | VOIR LE CATALOGUE SZ |
| OVERVIEW | | SEE SZ CATALOG |
| UEBERSICHT | | SIEHE SZ KATALOG |



(VG632)VG5220-VG5120(VG530)



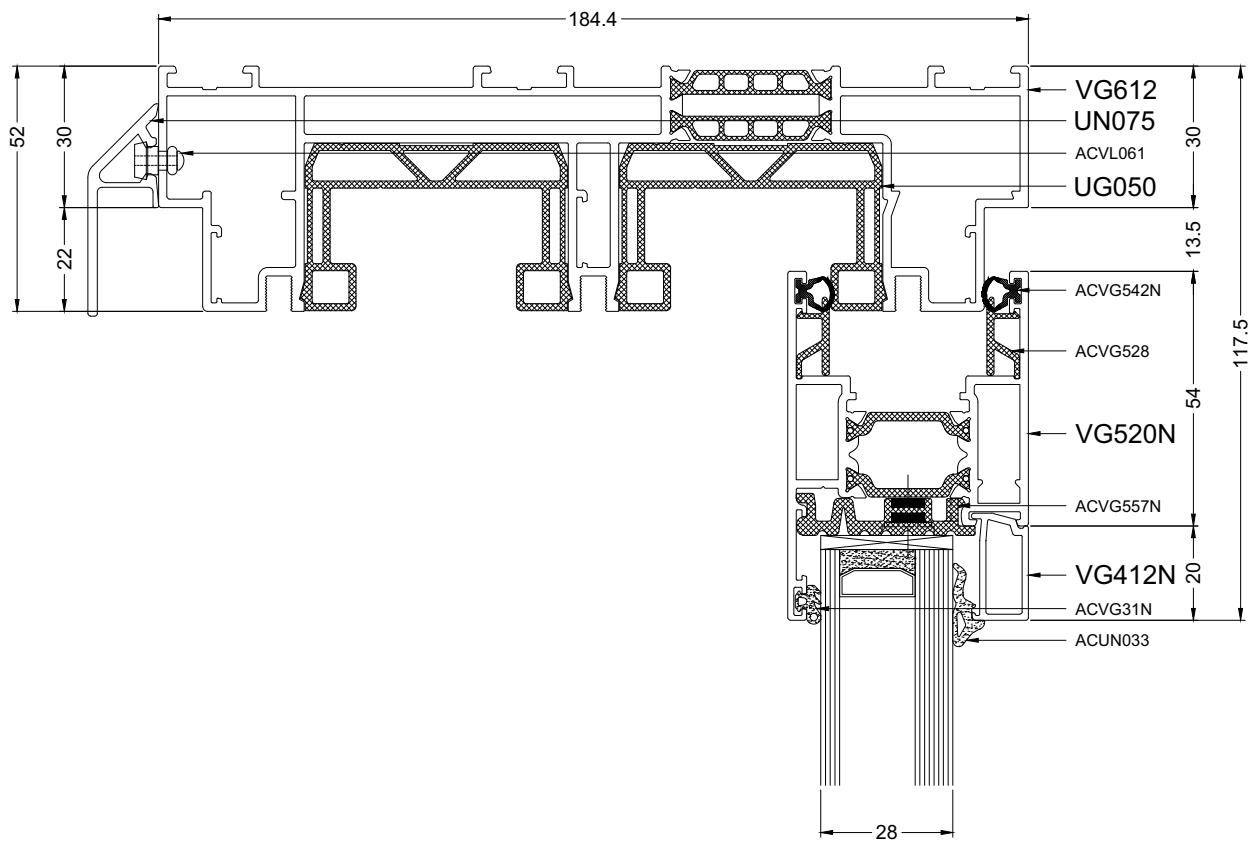


DOORSNEDETEKENINGEN - SECTION DE NOEUDS - PROFILKOMBINATIONEN - SECTION DRAWINGS

(SIDE)VG612-VG520N(OUT)(FIX)

aliplast
member of





DOORSNEDETEKENINGEN - SECTION DE NOEUDS - PROFILKOMBINATIONEN - SECTION DRAWINGS

(TOP)VG612-VG520N(IN)

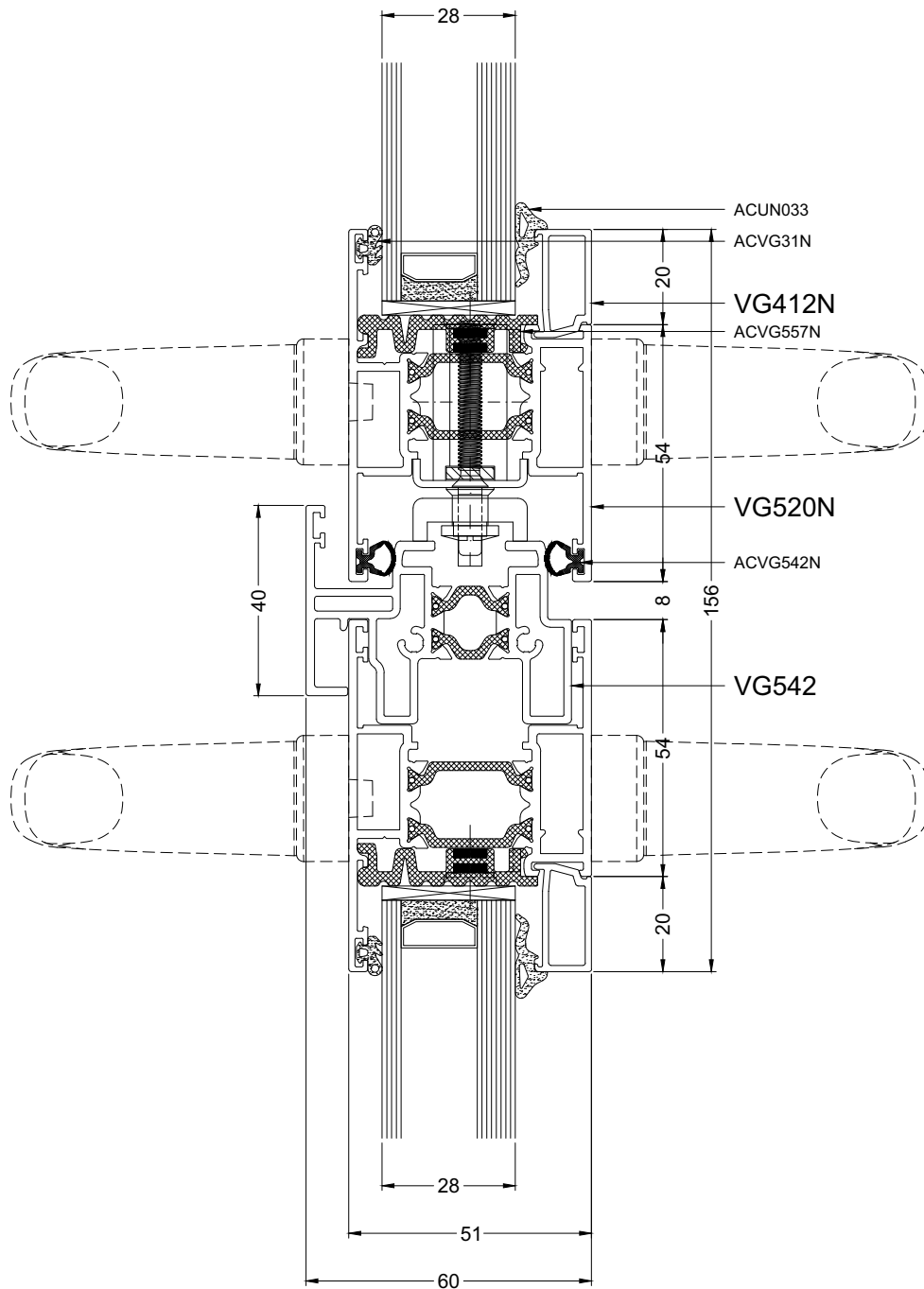
aliplast
member of



VG500

15A

| | | |
|---|---|--|
| OVERZICHT APERCU OVERVIEW UEBERSICHT |  | ZIE SZ CATALOGUS VOIR LE CATALOGUE SZ SEE SZ CATALOG SIEHE SZ KATALOG |
|---|---|--|



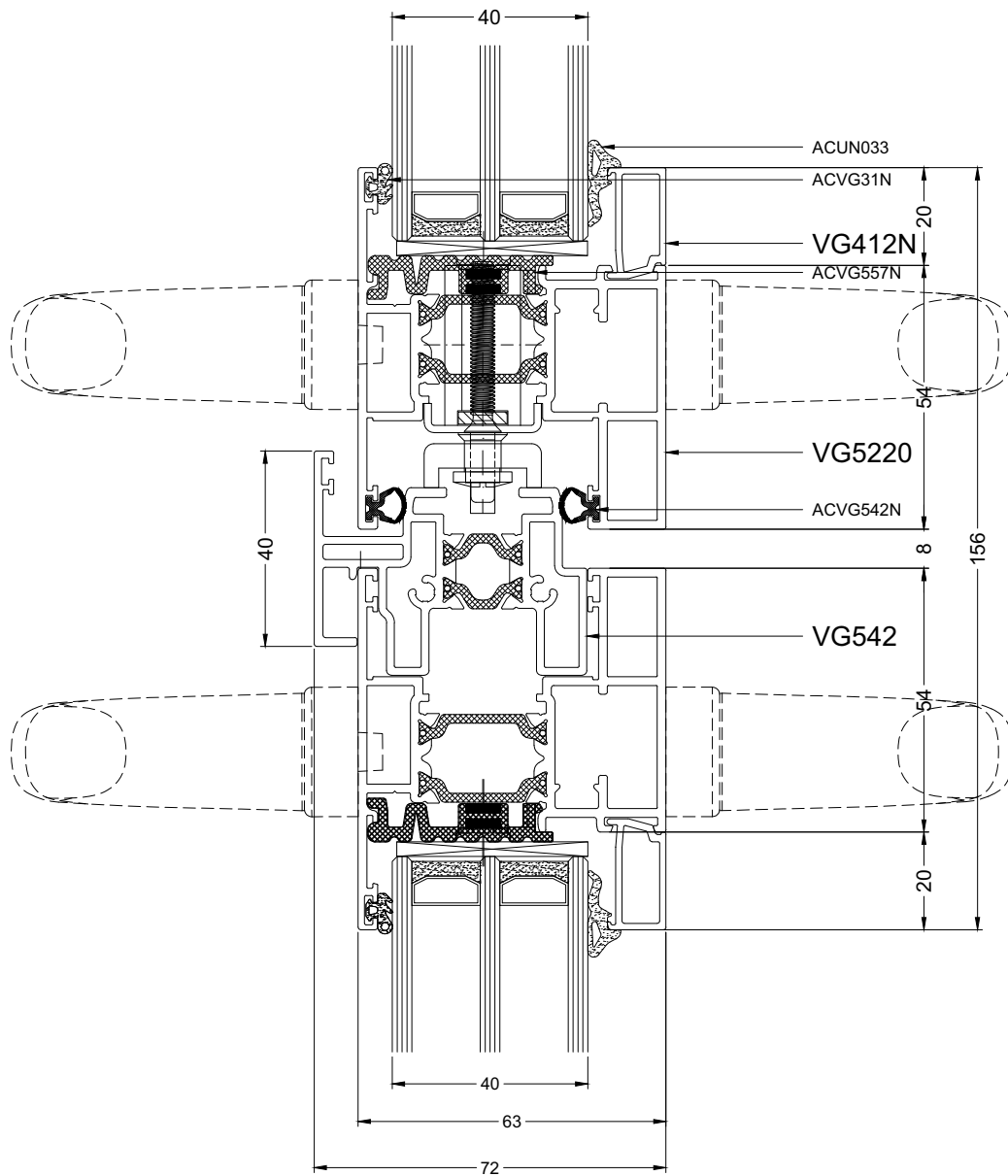
VG520N-VG542-VG520N



186

15B

| | | |
|------------|--|----------------------|
| OVERZICHT | | ZIE SZ CATALOGUS |
| APERCU | | VOIR LE CATALOGUE SZ |
| OVERVIEW | | SEE SZ CATALOG |
| UEBERSICHT | | SIEHE SZ KATALOG |



VG5220-VG542-VG5220

aliplast
member of

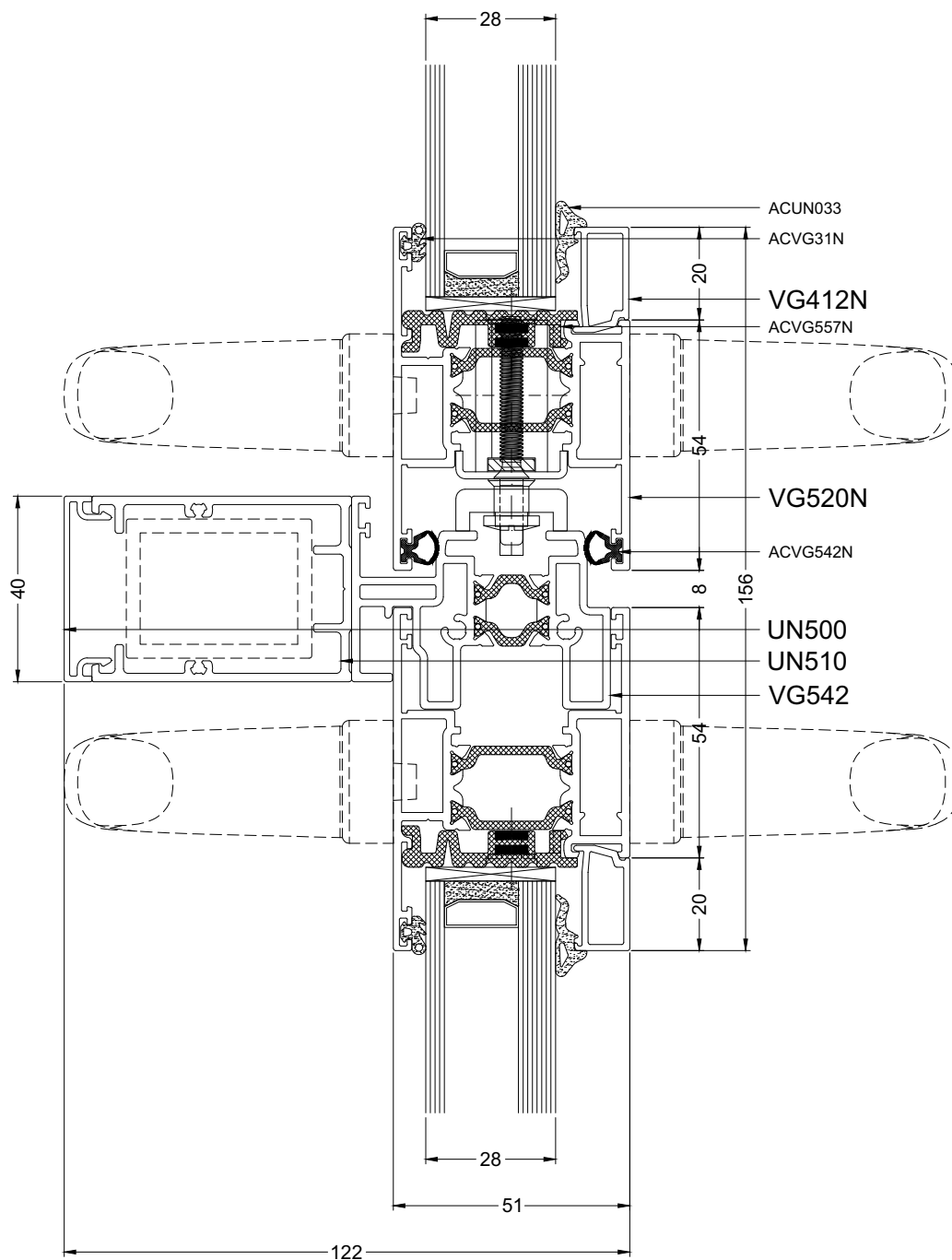


DOORSNEDETEKENINGEN - SECTION DE NOEUDS - PROFILKOMBINATIONEN - SECTION DRAWINGS

VG500

15C

| | | |
|---|---|--|
| OVERZICHT APERCU OVERVIEW UEBERSICHT |  | ZIE SZ CATALOGUS VOIR LE CATALOGUE SZ SEE SZ CATALOG SIEHE SZ KATALOG |
|---|---|--|

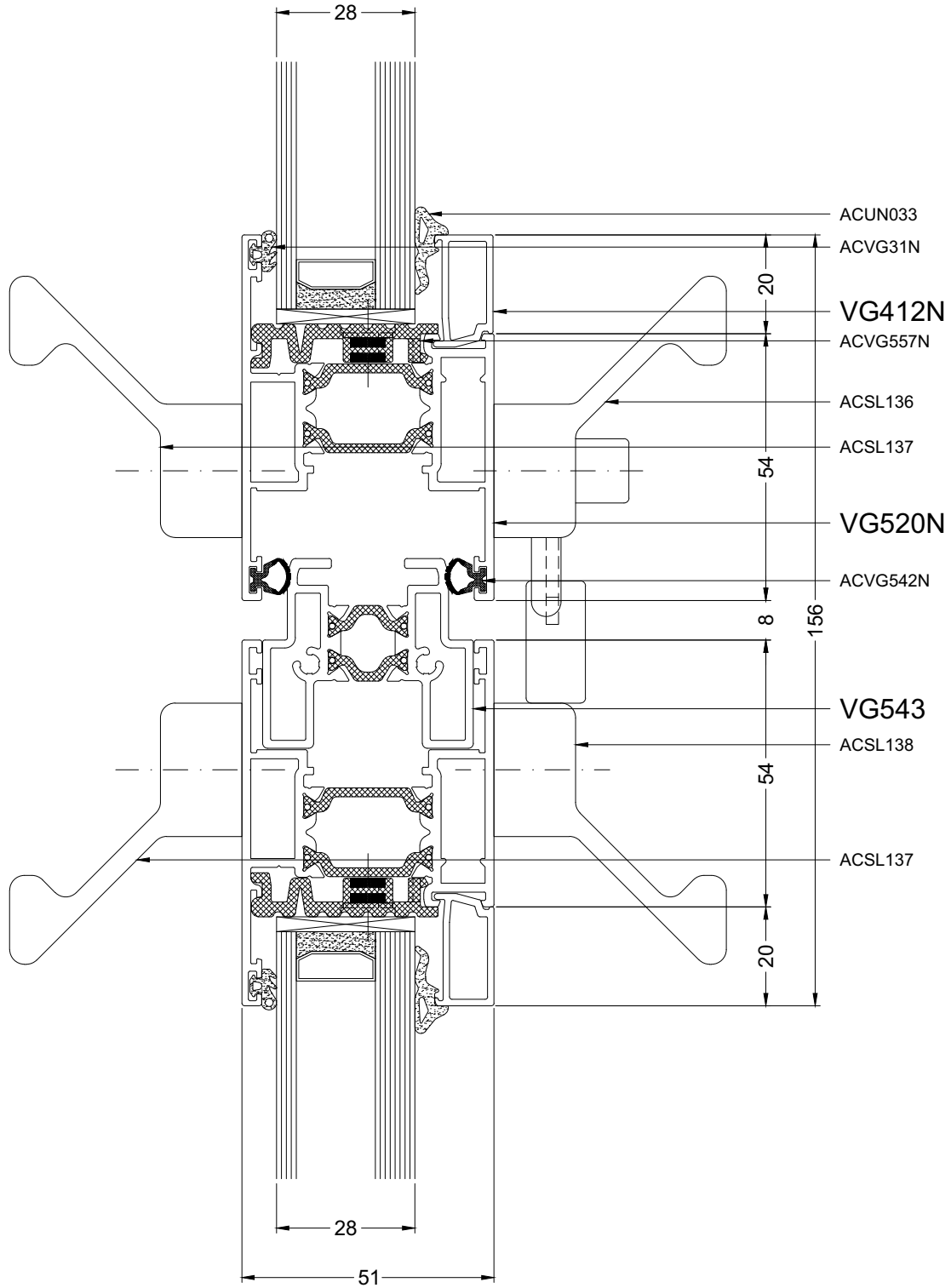


VG520N-VG542(UN500-UN510-UTL080)-VG520N



188

15D



VG520N-VG543-VG520N

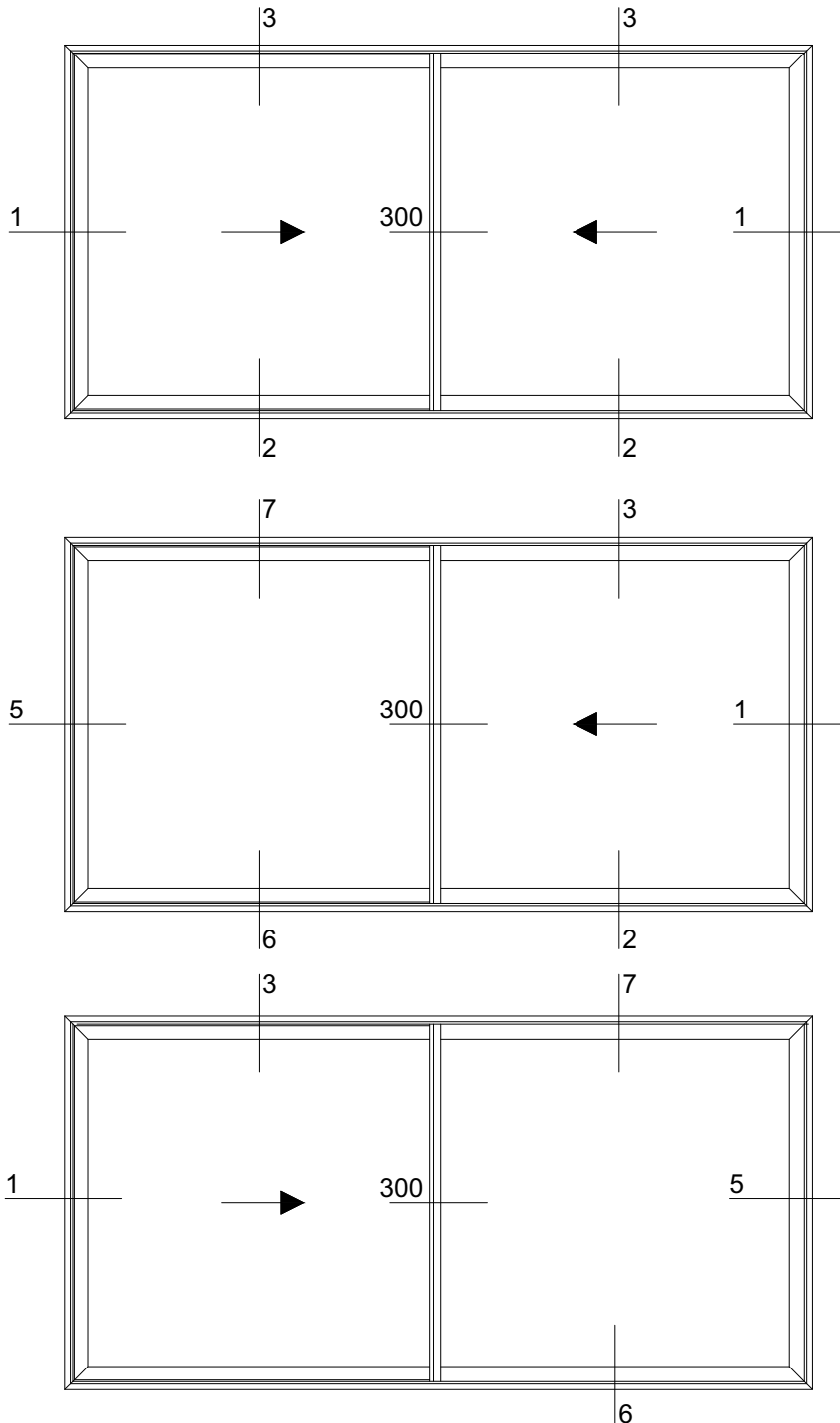
aliplast
member of



DOORSNEDETEKENINGEN - SECTION DE NOEUDS - PROFILKOMBINATIONEN - SECTION DRAWINGS

SCHUIFDEUR / PORTE COULISSANTE SCHIEBETUR / SLIDING DOOR

MaxLight



DOORSNEDETEKENINGEN - SECTION DE NOEUDS - PROFILKOMBINATIONEN - SECTION DRAWINGS

TYPE01 - SLIM

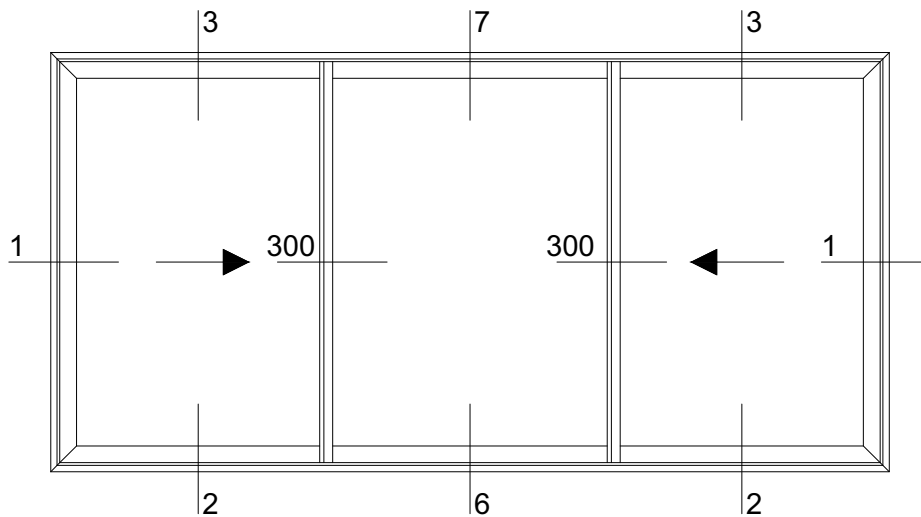
aliplast
member of



VG500

SCHUIFDEUR / PORTE COULISSANTE
SCHIEBETUR / SLIDING DOOR

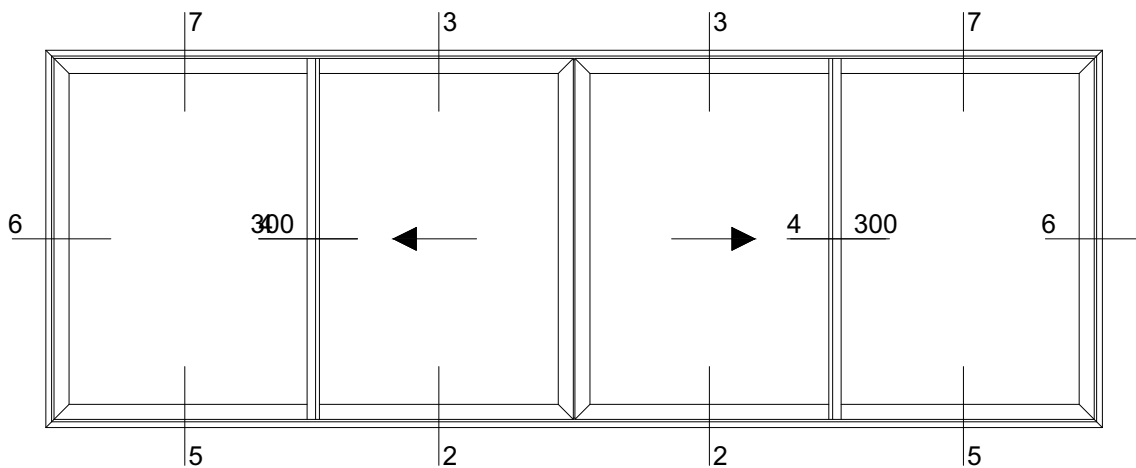
MaxLight



TYPE02 - SLIM

SCHUIFDEUR / PORTE COULISSANTE SCHIEBETUR / SLIDING DOOR

MaxLight



DOORSNEDETEKENINGEN - SECTION DE NOEUDS - PROFILKOMBINATIONEN - SECTION DRAWINGS

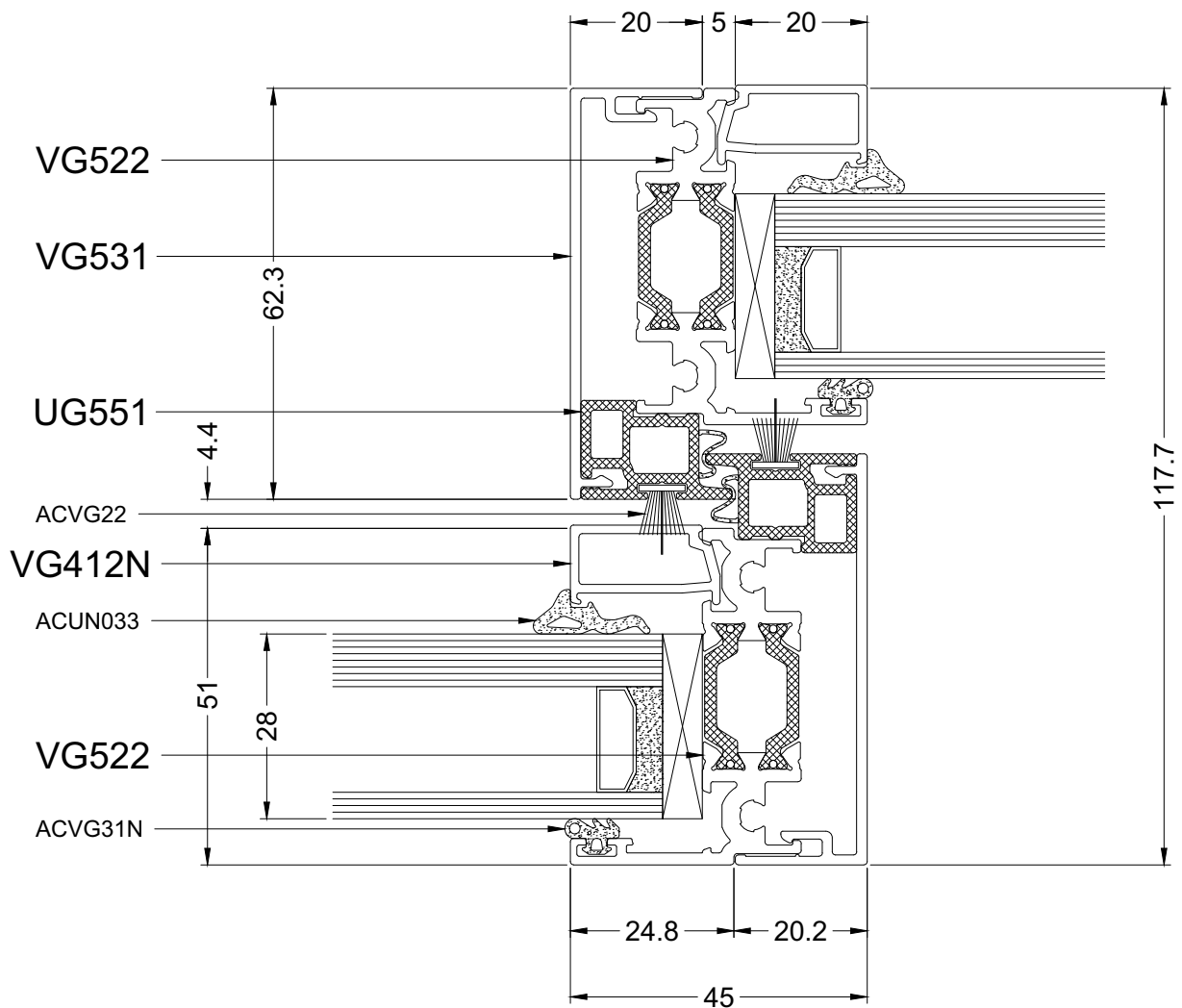
TYPE03 - SLIM

aliplast
member of



VG500

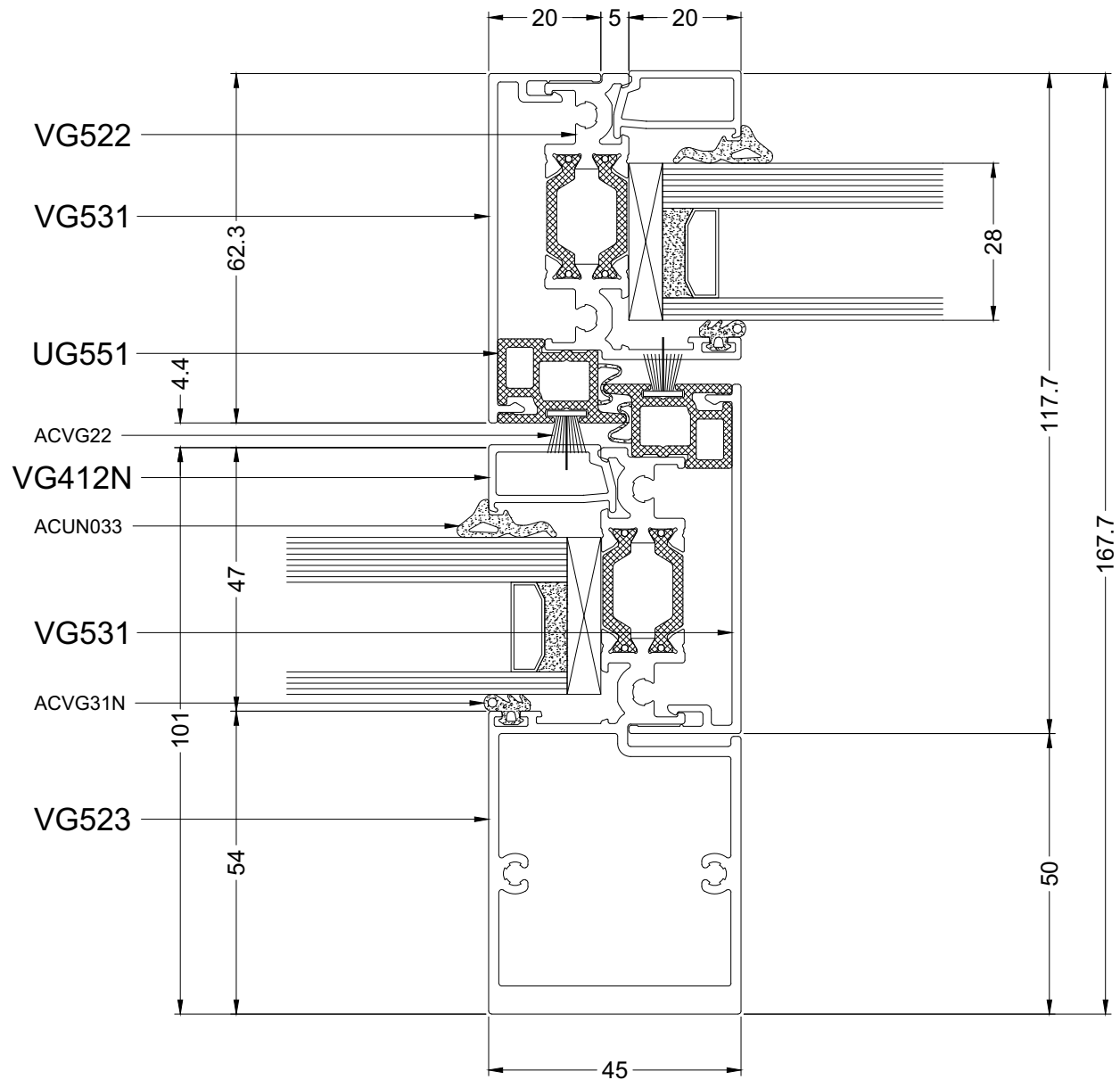
300/301/302



VG522-VG522



300/301



DOORSNEDETEKENINGEN - SECTION DE NOEUDS - PROFILKOMBINATIONEN - SECTION DRAWINGS



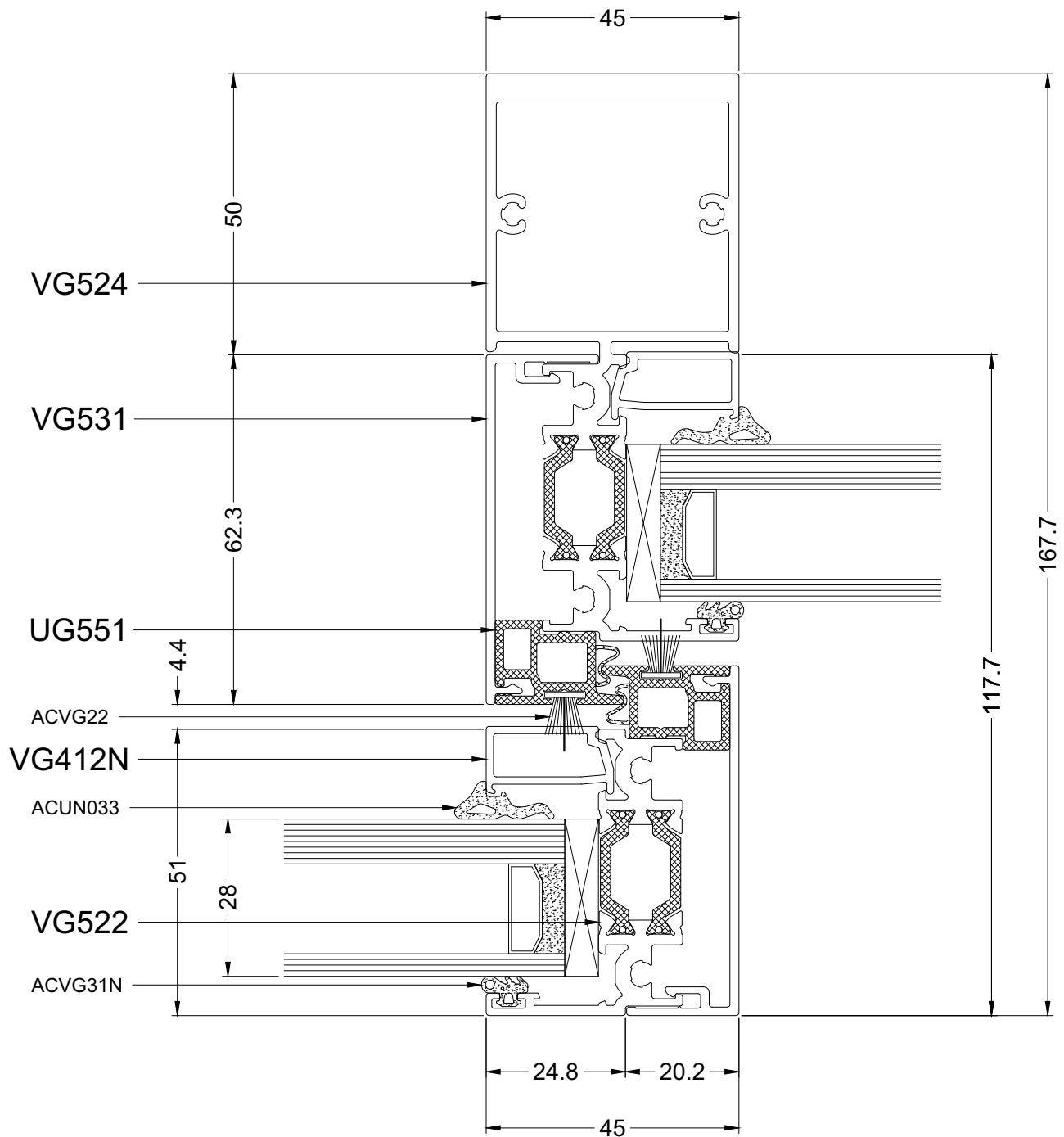
VG522-VG523

aliplast
member of



VG500

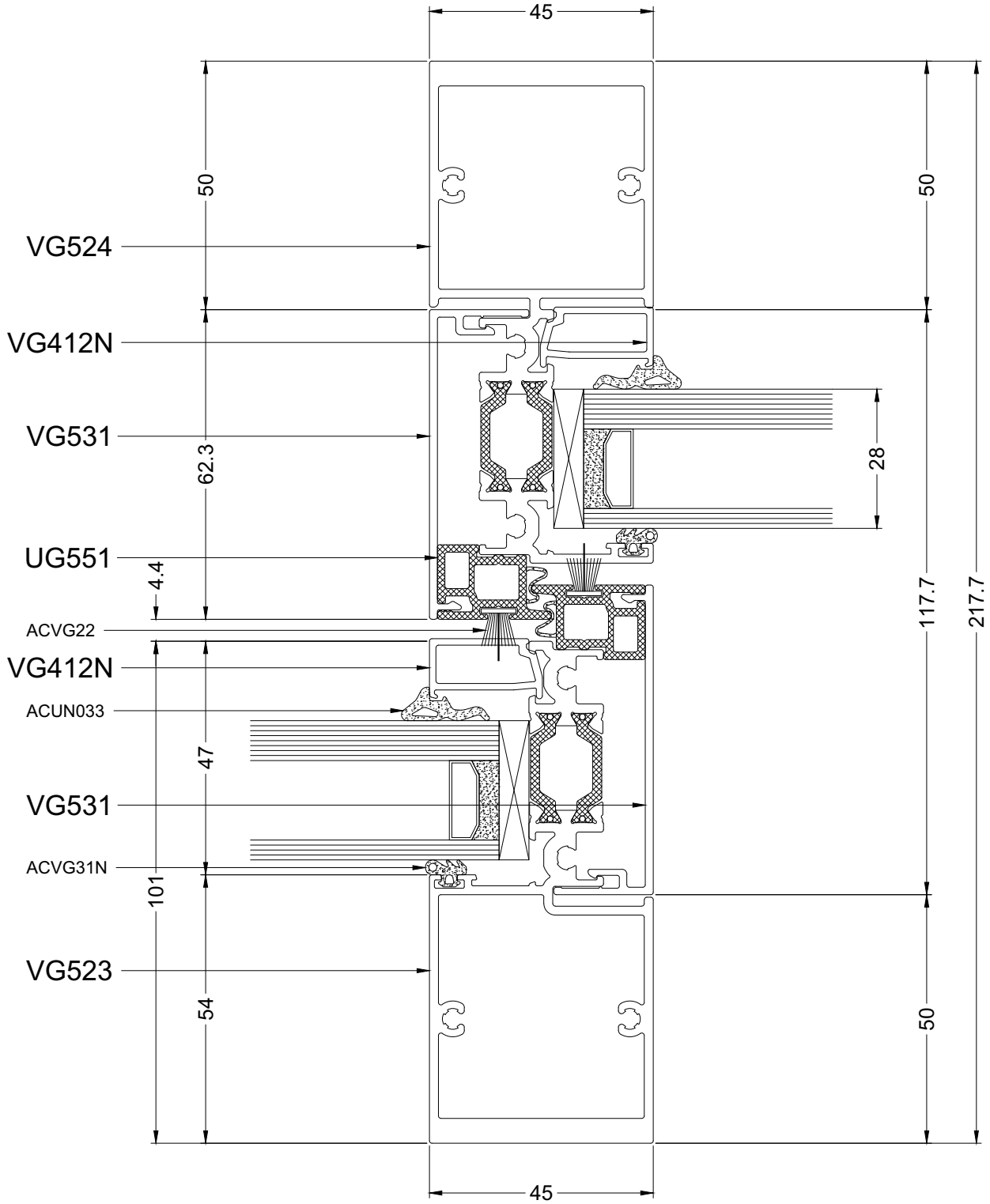
300/302



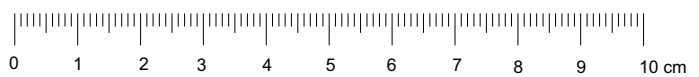
VG522-VG524



300



DOORSNEDETEKENINGEN - SECTION DE NOEUDS - PROFILKOMBINATIONEN - SECTION DRAWINGS



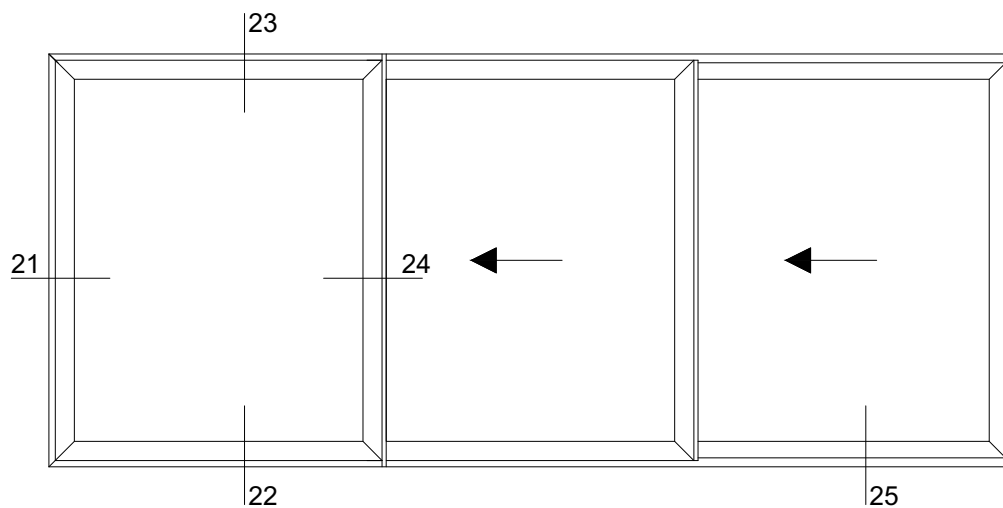
VG523-VG524

aliplast
member of



VG500

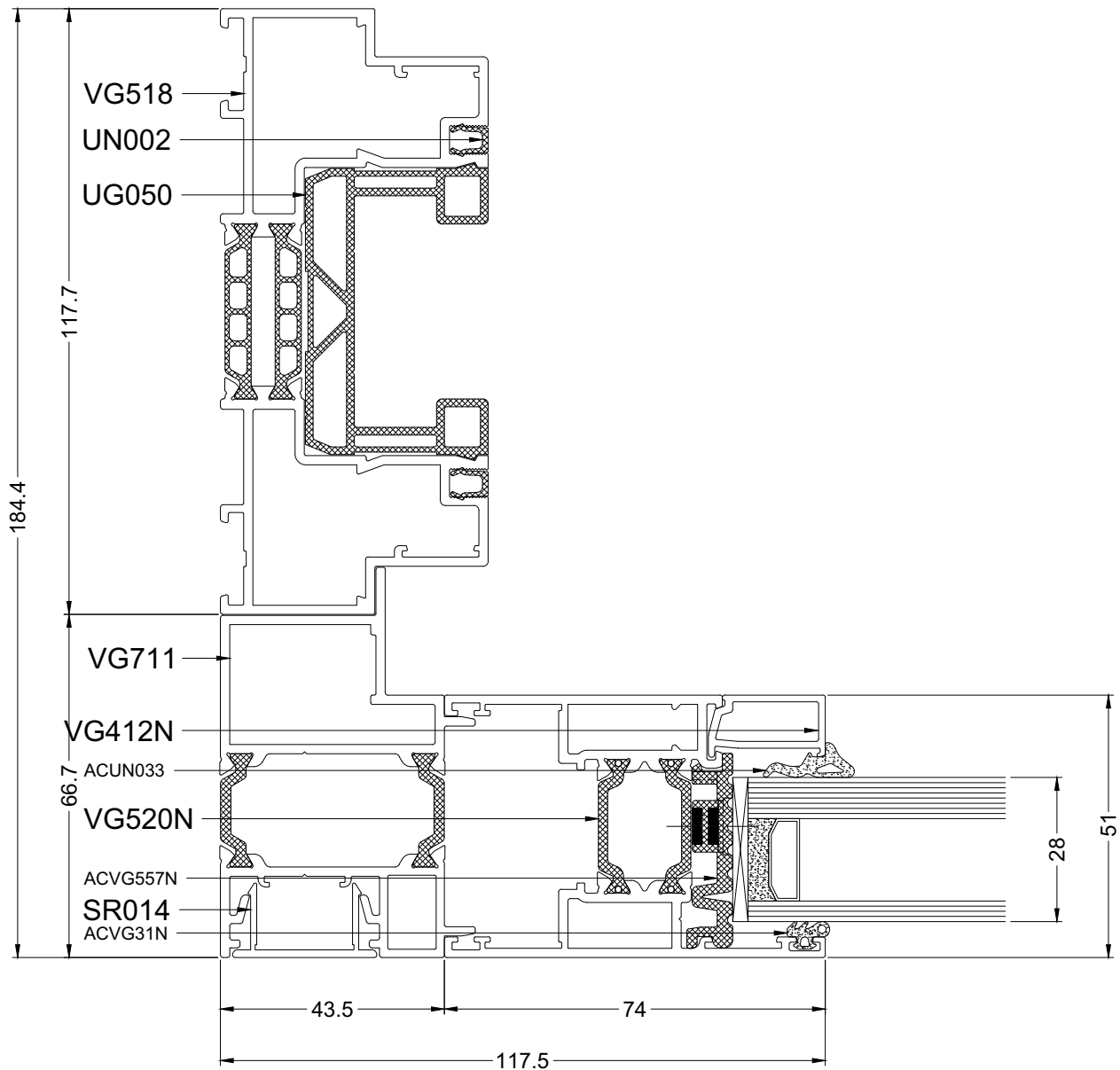
VASTE VOORZETKADER/PRÉCADRE FIX POUR
ANBAU RAHMEN/FRAME EXTENSION



TYPE

198

21A



DOORSNEDETEKENINGEN - SECTION DE NOEUDS - PROFILKOMBINATIONEN - SECTION DRAWINGS

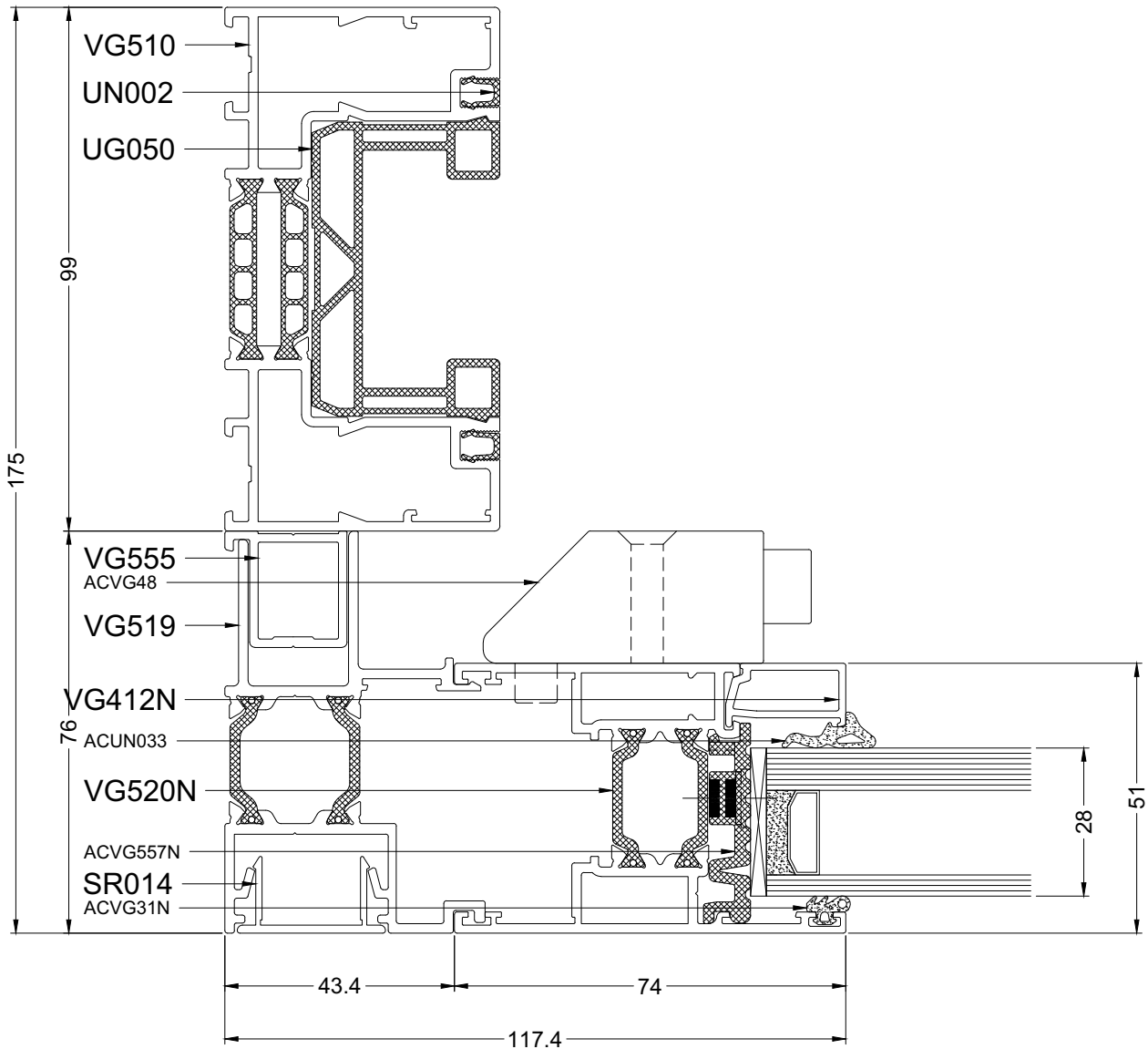
(SIDE)VG518-VG520N(VG711)

aliplast
member of



VG500

21B

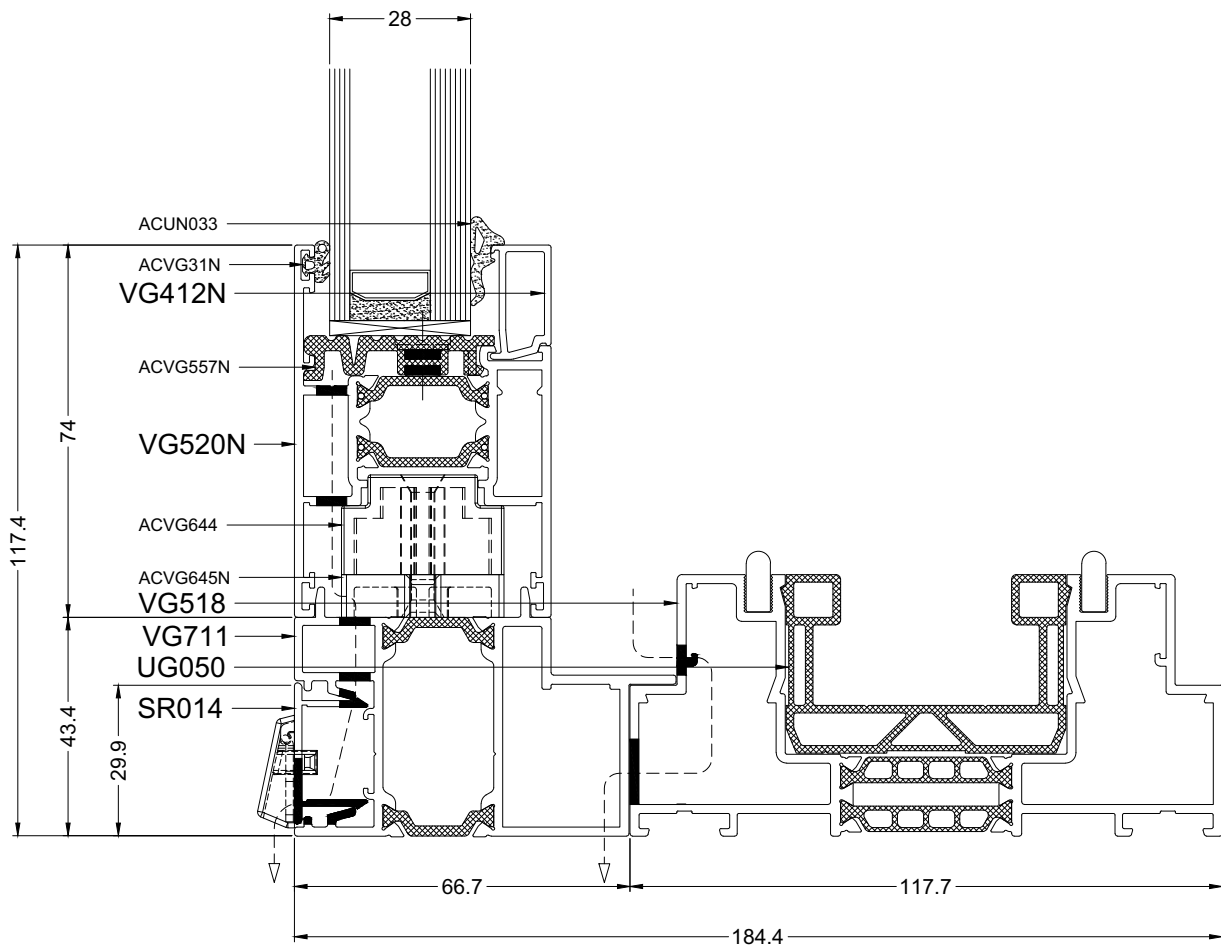


(SIDE)VG510-VG520N(VG555-VG519)



200

22A



DOORSNEDETEKENINGEN - SECTION DE NOEUDS - PROFILKOMBINATIONEN - SECTION DRAWINGS

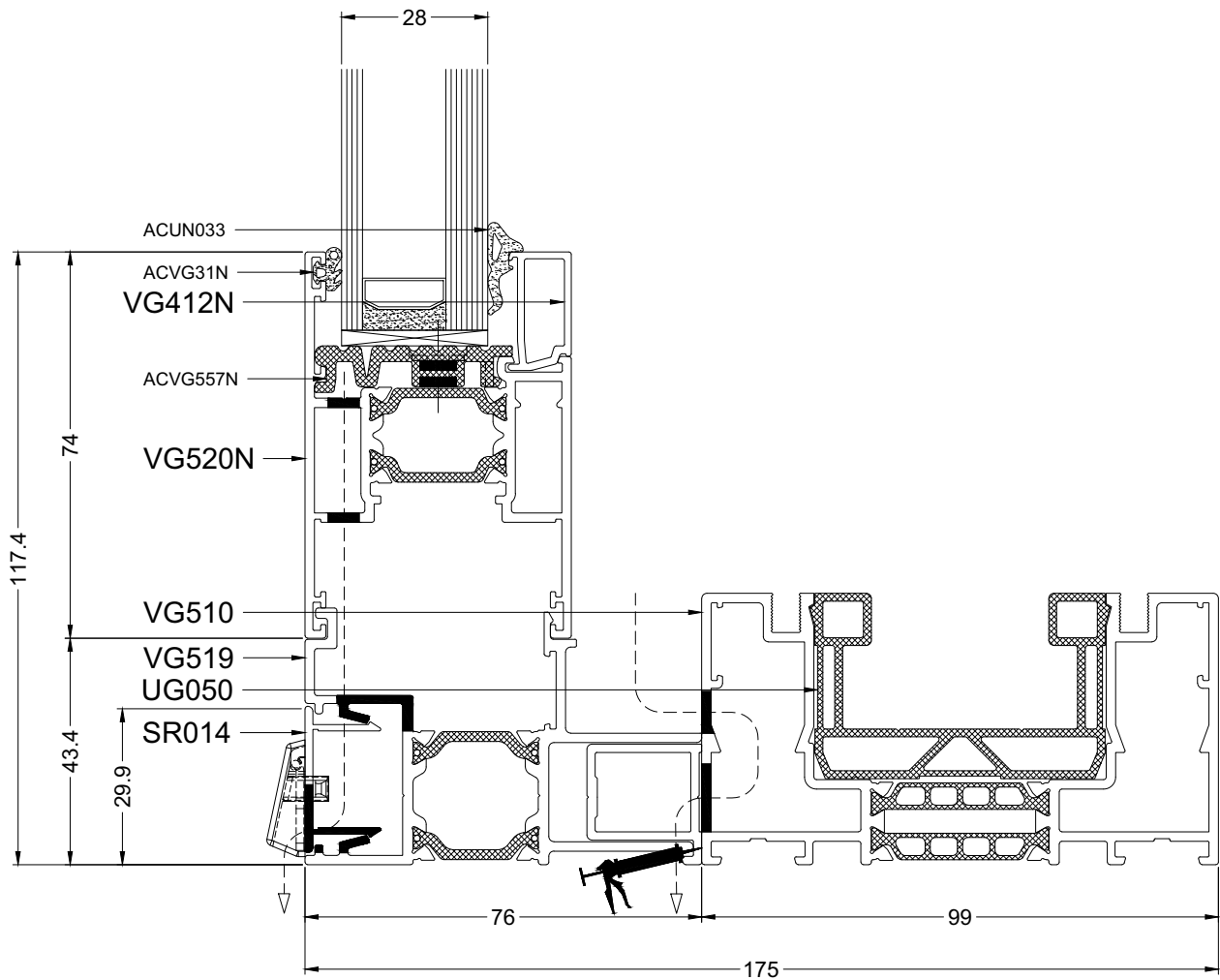
(BOTTOM)VG518-VG520N(VG711)

aliplast
member of



VG500

22B

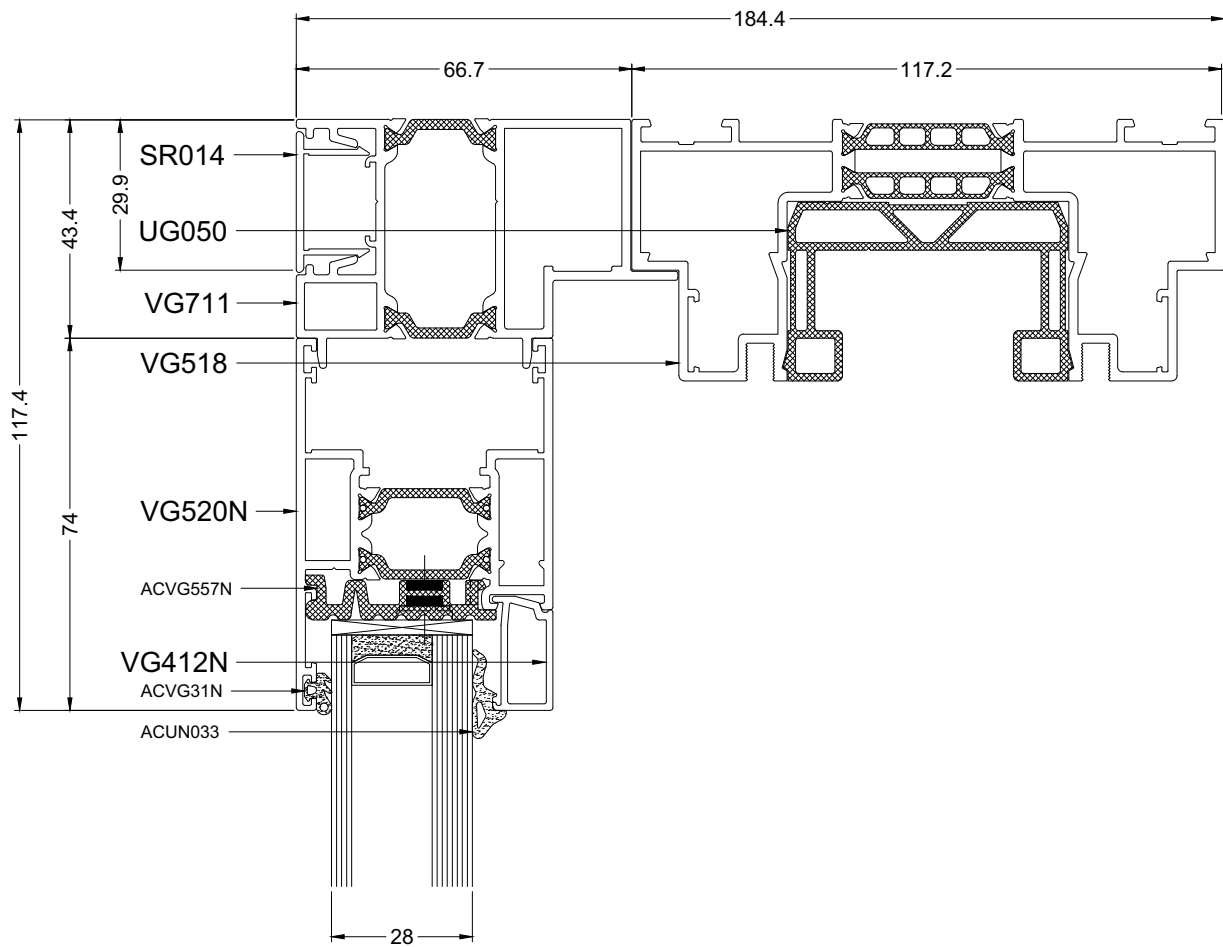


(BOTTOM)VG510-VG520N(VG555-VG519)



202

23A



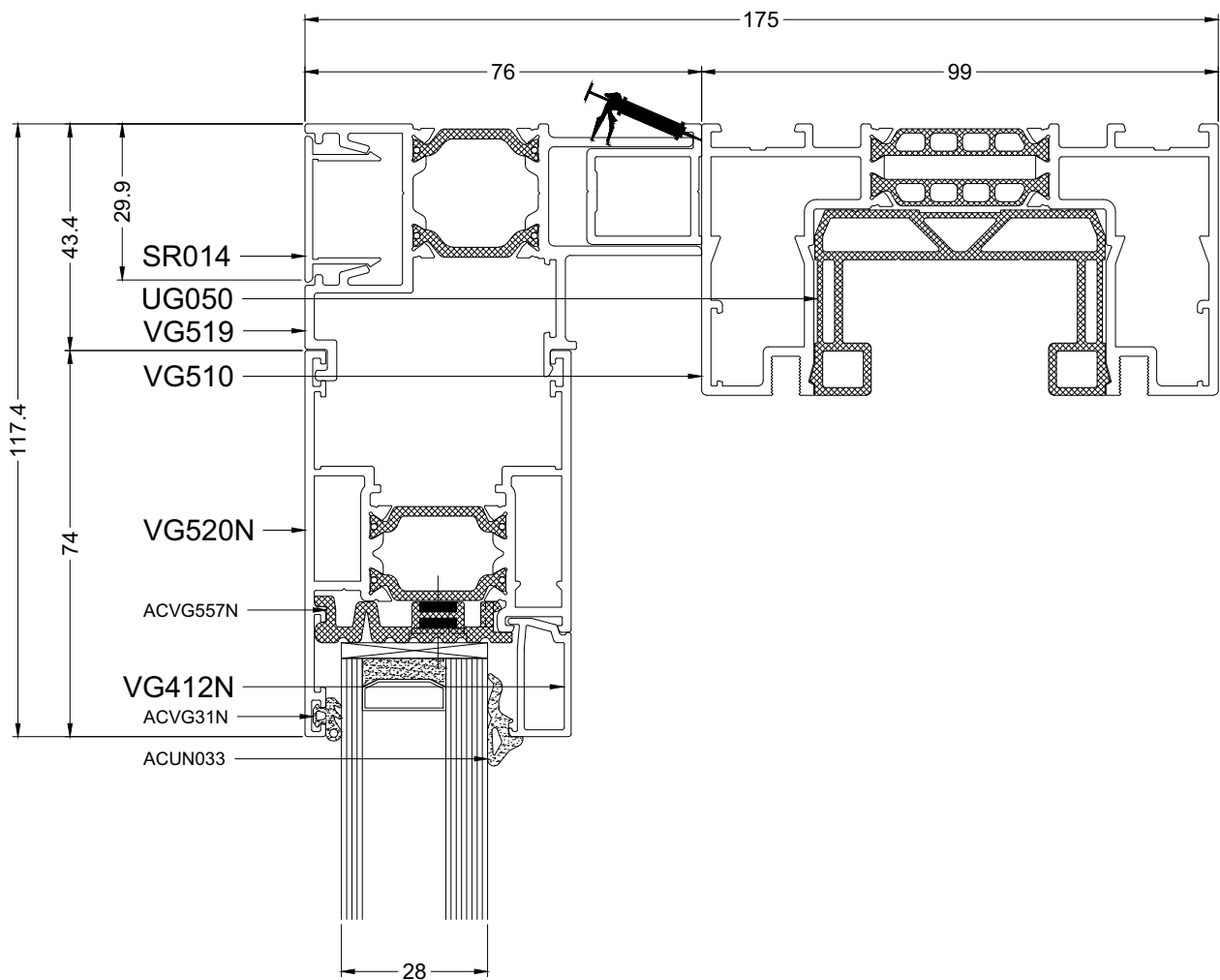
(TOP)VG518-VG520N(VG711)

aliplast
member of



VG500

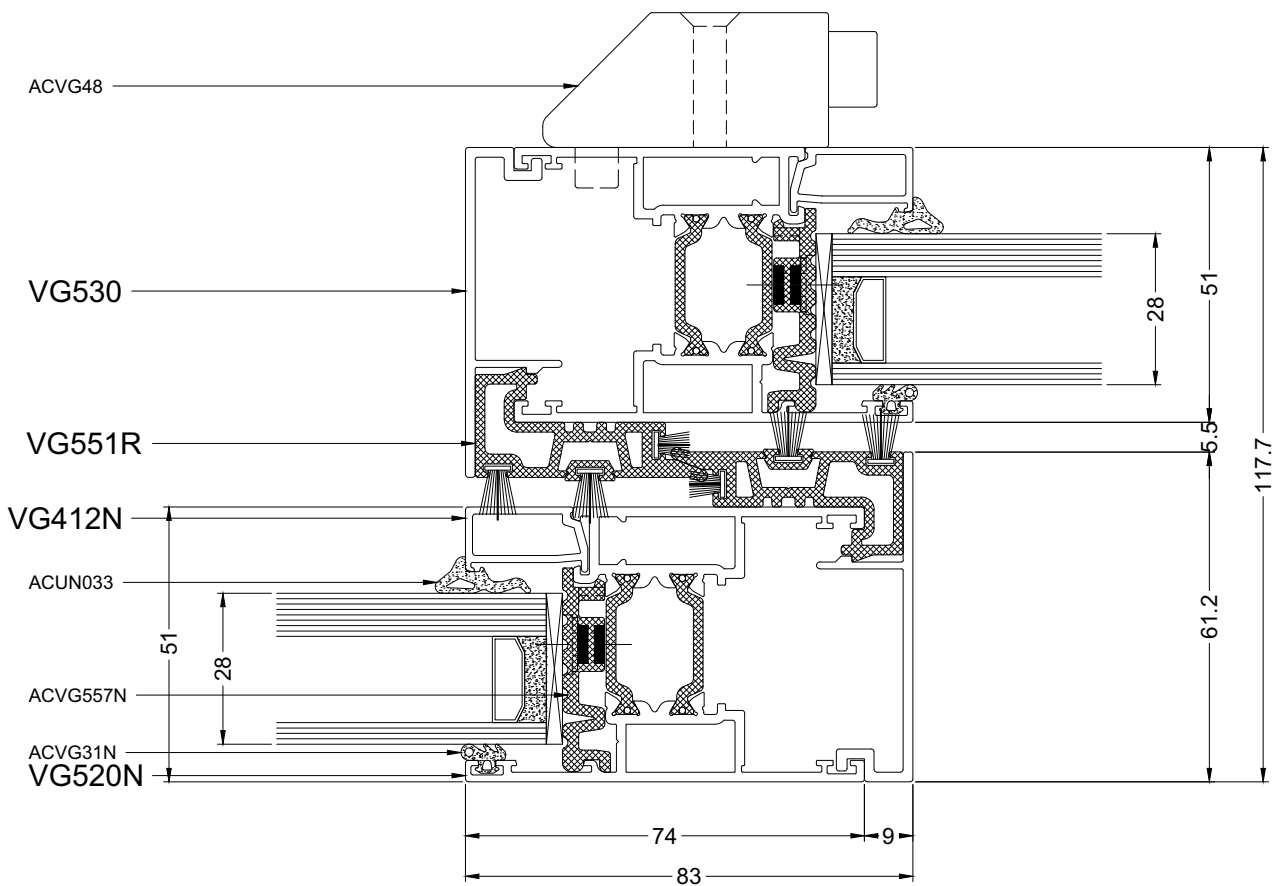
23B



(TOP)VG510-VG520N(VG555-VG519)



204



DOORSNEDETEKENINGEN - SECTION DE NOEUDS - PROFILKOMBINATIONEN - SECTION DRAWINGS

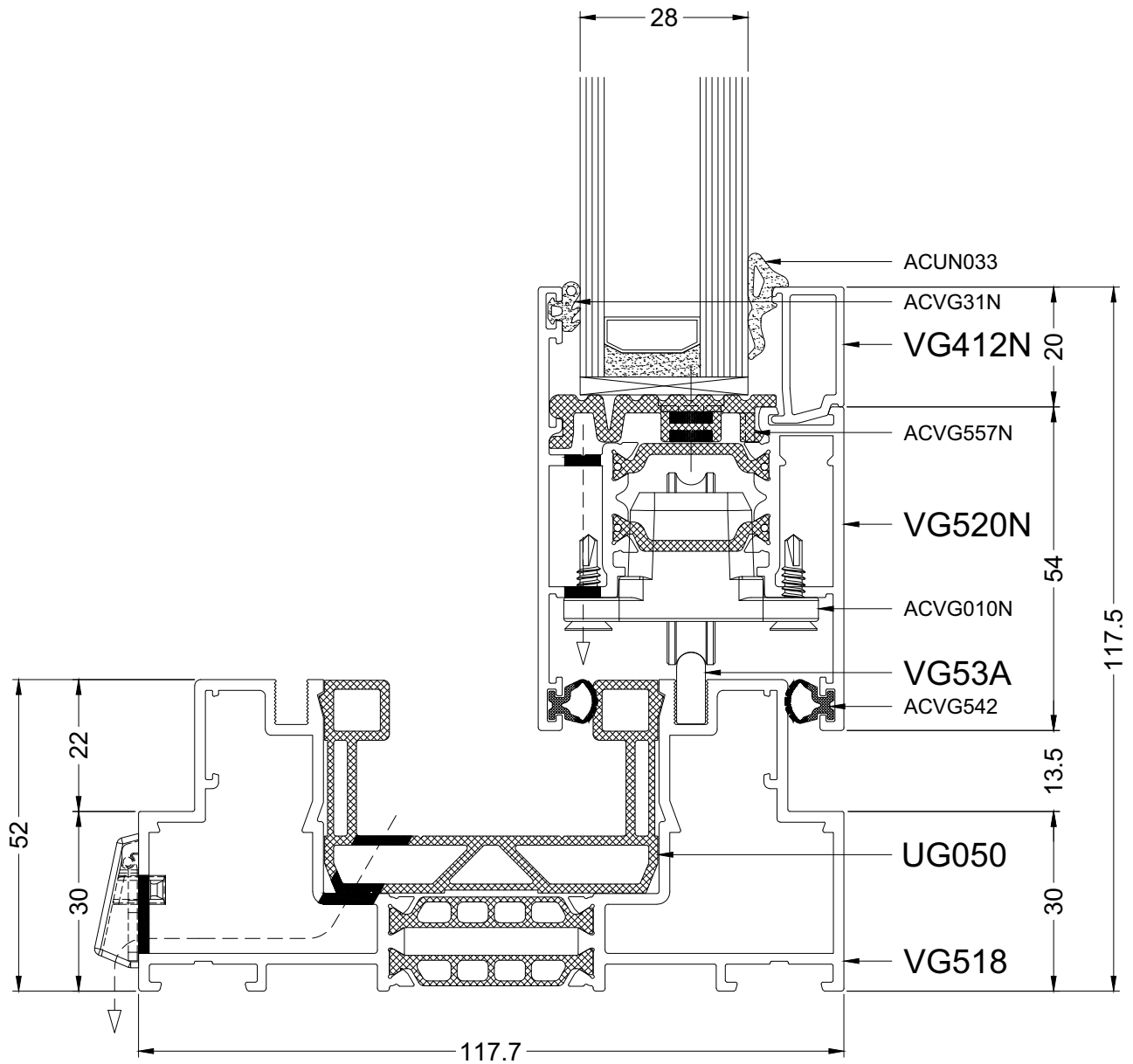
VG520N(VG555-VG519)-VG530-VG551

aliplast
member of



VG500

25A

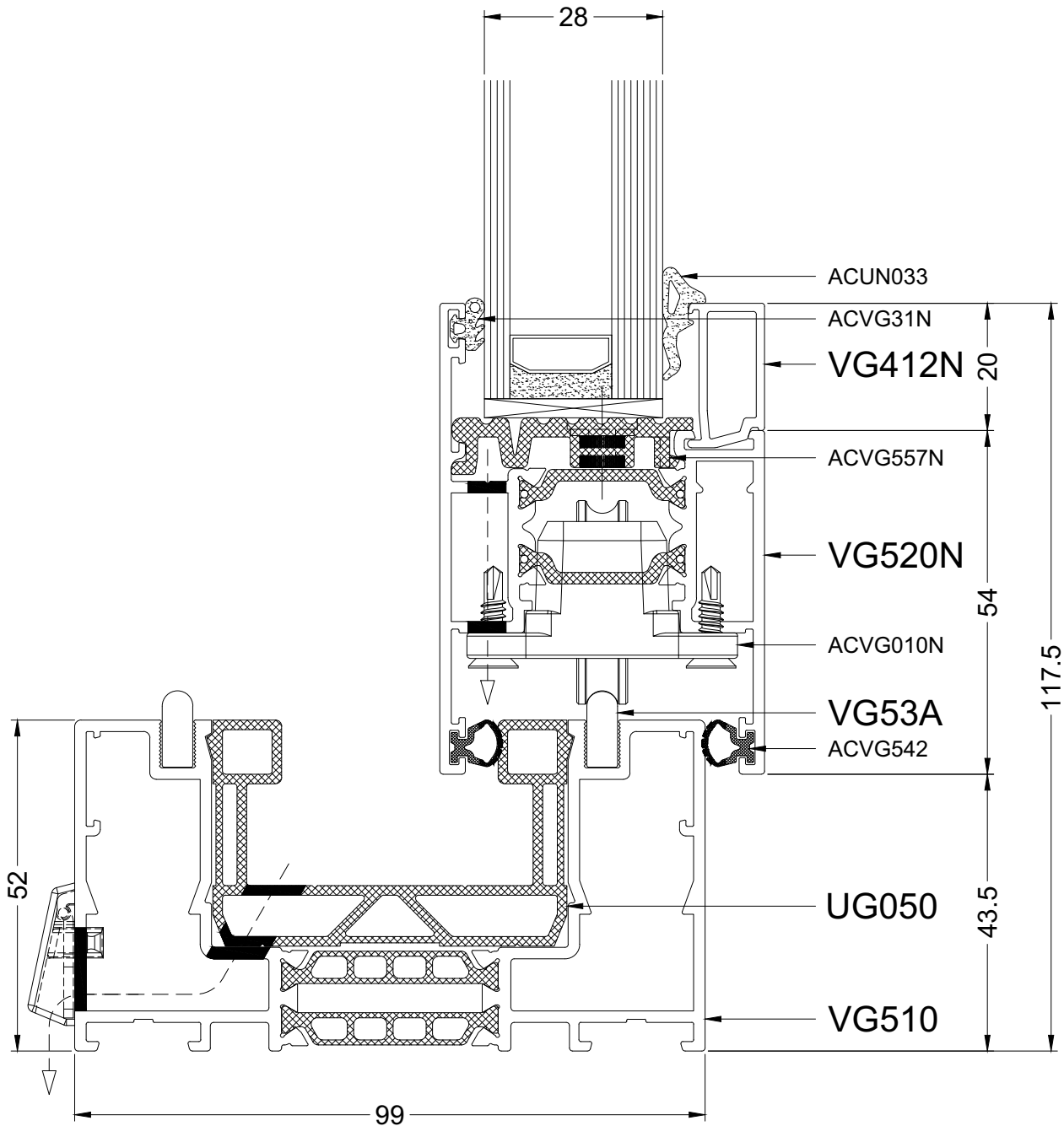


(BOTTOM)VG518-VG520N



206

25B



DOORSNEDETEKENINGEN - SECTION DE NOEUDS - PROFILKOMBINATIONEN - SECTION DRAWINGS

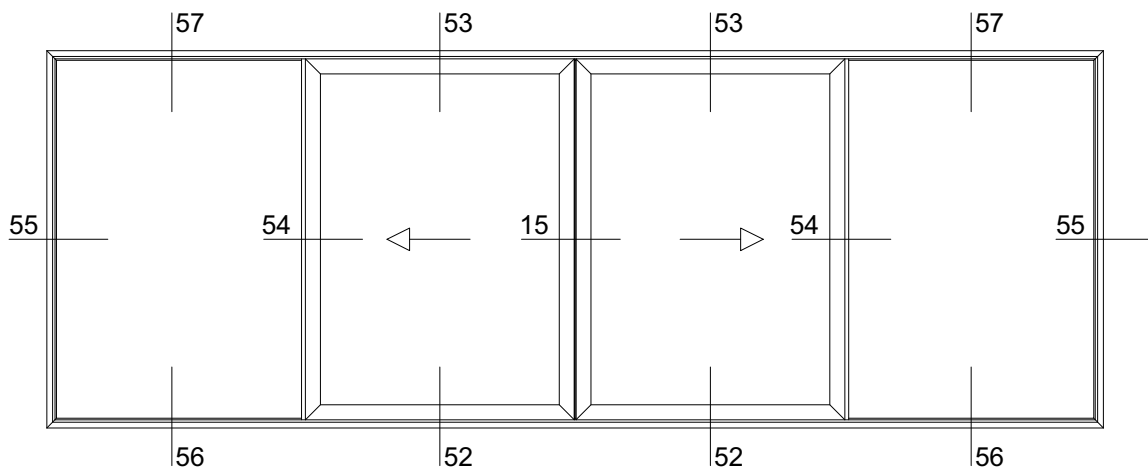
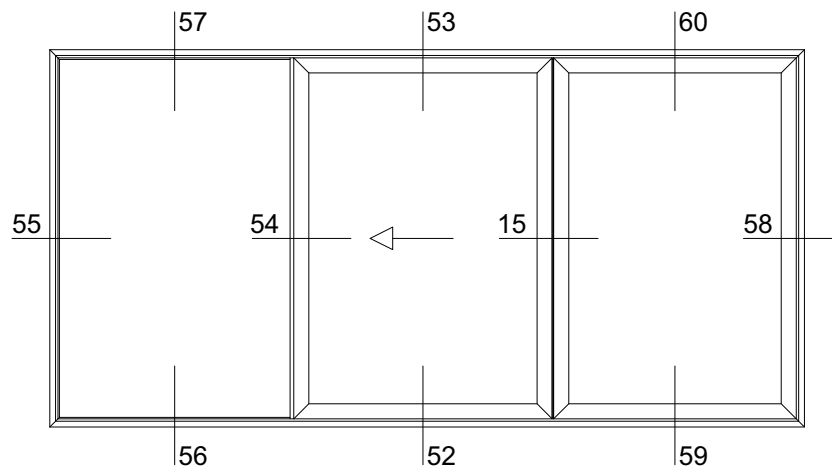
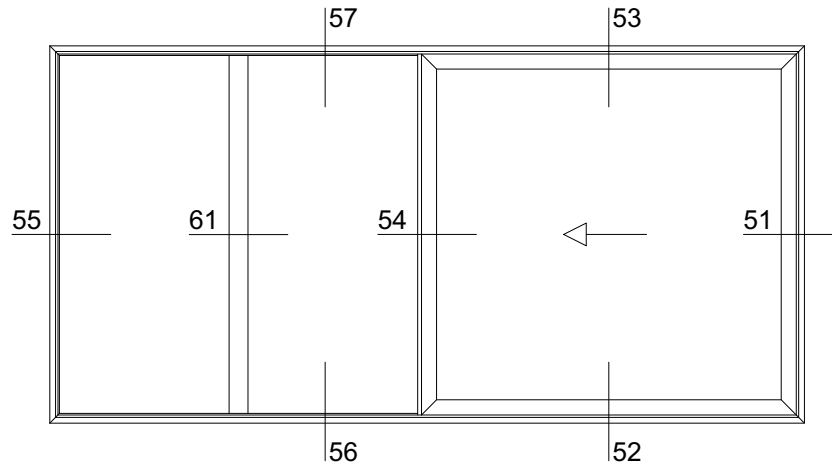
(BOTTOM)VG510-VG520N

aliplast
member of



VG500

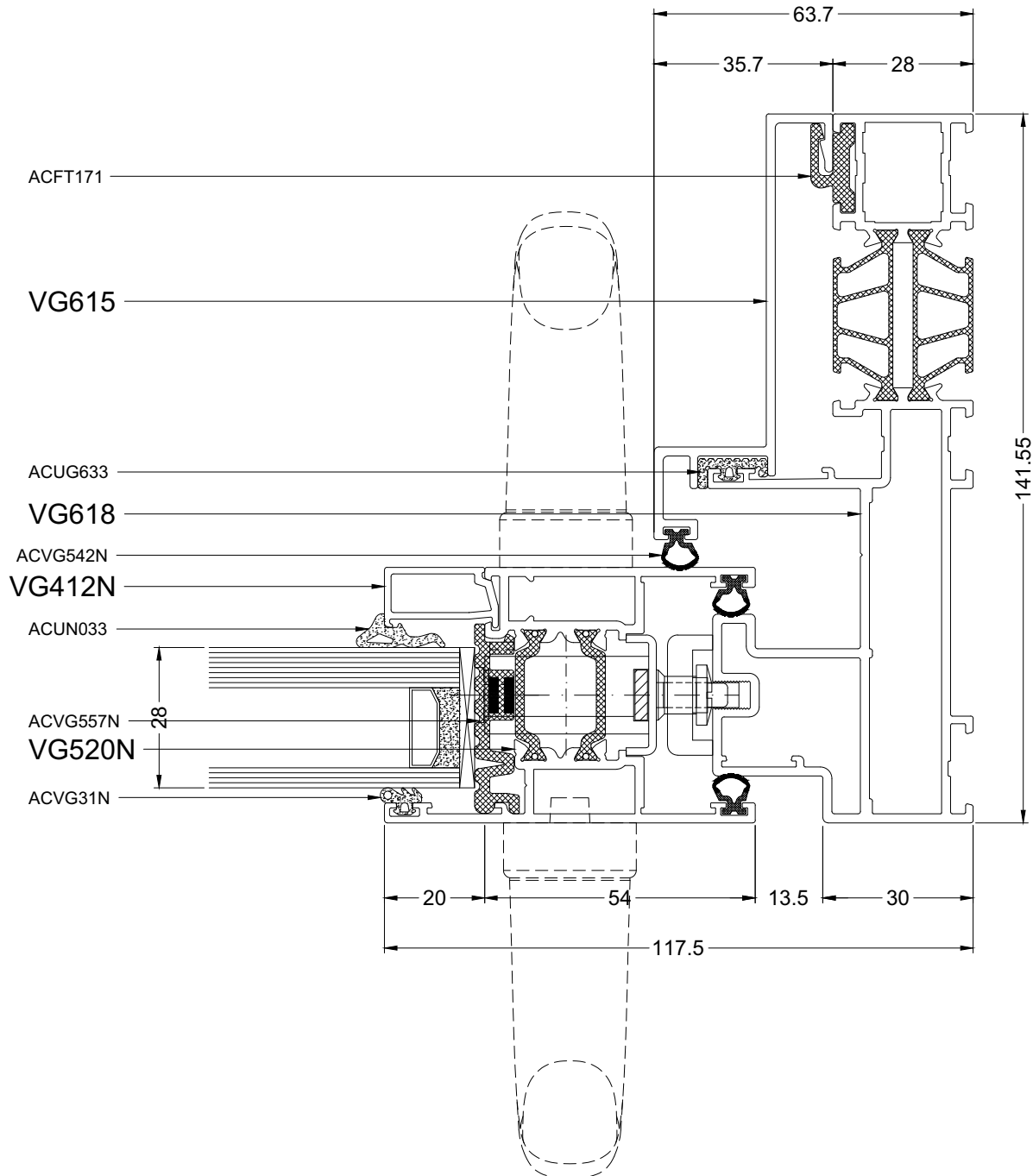
MONORAIL / MONORAIL MONORAIL / MONORAIL



TYPE51

51A

| | | |
|------------|---|----------------------|
| OVERZICHT |  | ZIE SZ CATALOGUS |
| APERCU | | VOIR LE CATALOGUE SZ |
| OVERVIEW | | SEE SZ CATALOG |
| UEBERSICHT | | SIEHE SZ KATALOG |



DOORSNEDETEKENINGEN - SECTION DE NOEUDS - PROFILKOMBINATIONEN - SECTION DRAWINGS



(SIDE)VG618-520N(OUT)

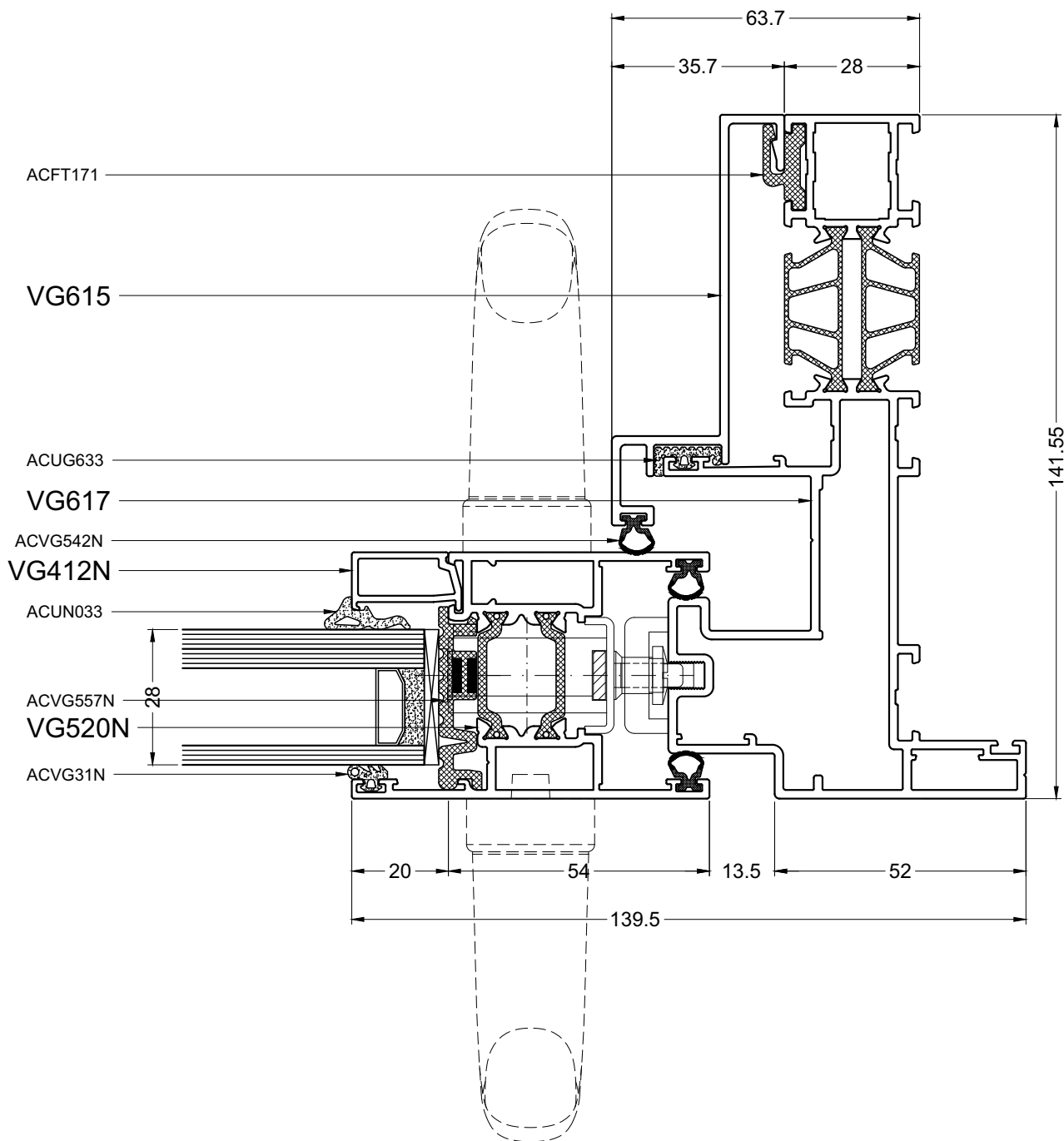
aliplast
member of



VG500

51A

| | | |
|------------|--|-----------------------------|
| OVERZICHT | | ZIE SZ CATALOGUS |
| APERCU | | VOIR LE CATALOGUE SZ |
| OVERVIEW | | SEE SZ CATALOG |
| UEBERSICHT | | SIEHE SZ KATALOG |



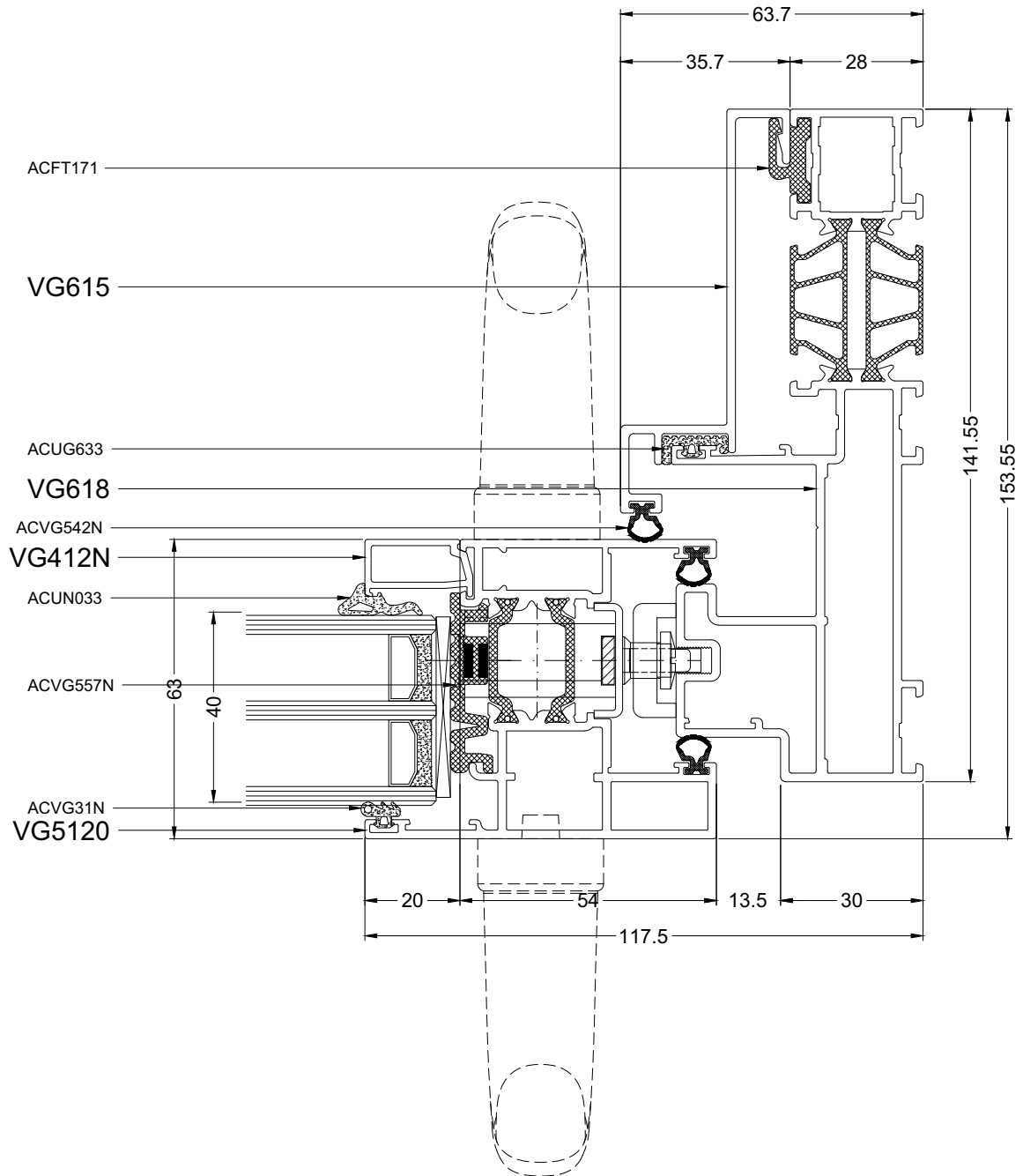
(SIDE)VG617-520N(OUT)



210

51B

| | | |
|------------|---|----------------------|
| OVERZICHT |  | ZIE SZ CATALOGUS |
| APERCU | | VOIR LE CATALOGUE SZ |
| OVERVIEW | | SEE SZ CATALOG |
| UEBERSICHT | | SIEHE SZ KATALOG |



(SIDE)VG618-5220(OUT)

aliplast
member of

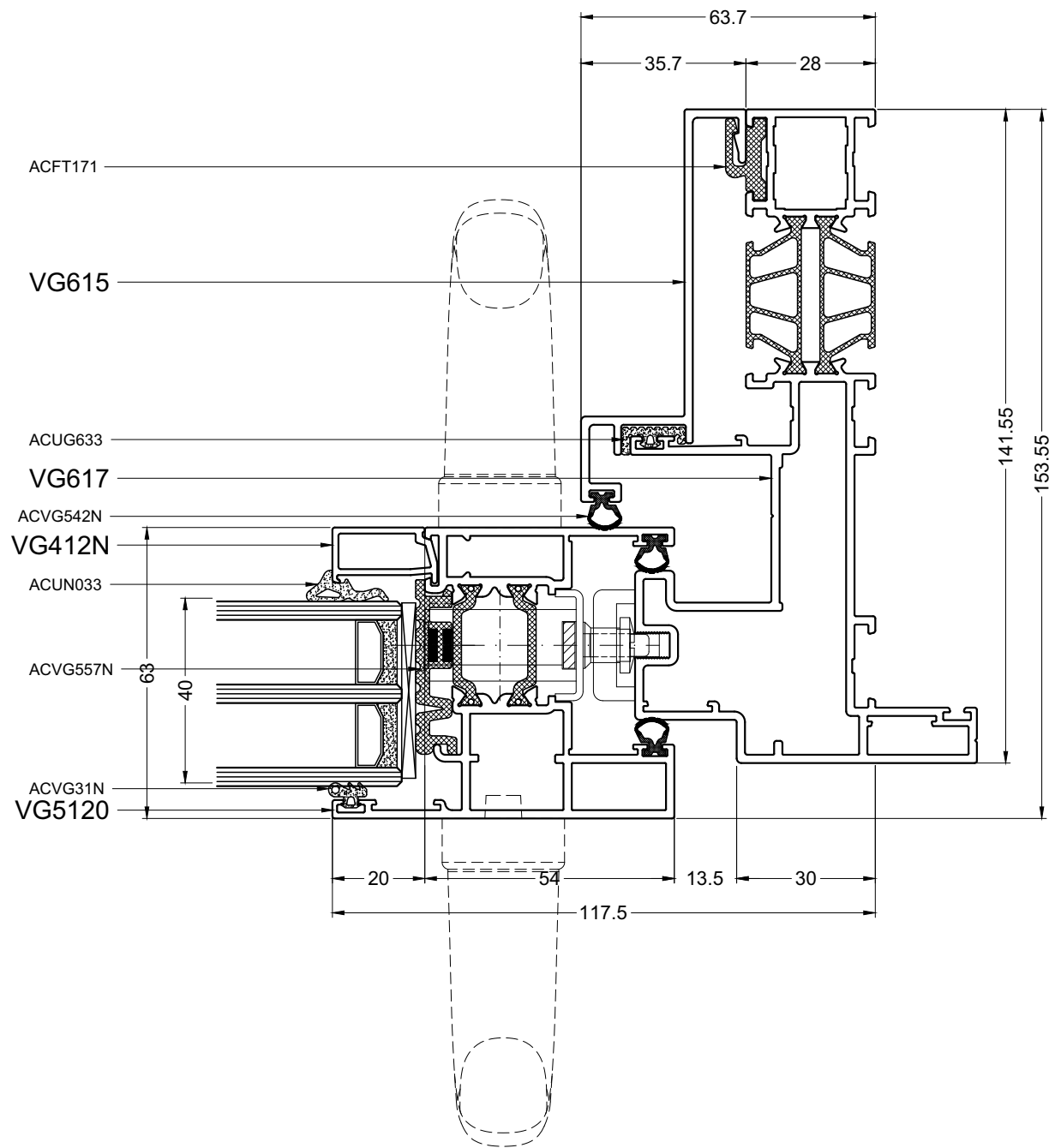


DOORSNEDETEKENINGEN - SECTION DE NOEUDS - PROFILKOMBINATIONEN - SECTION DRAWINGS

VG500

51B

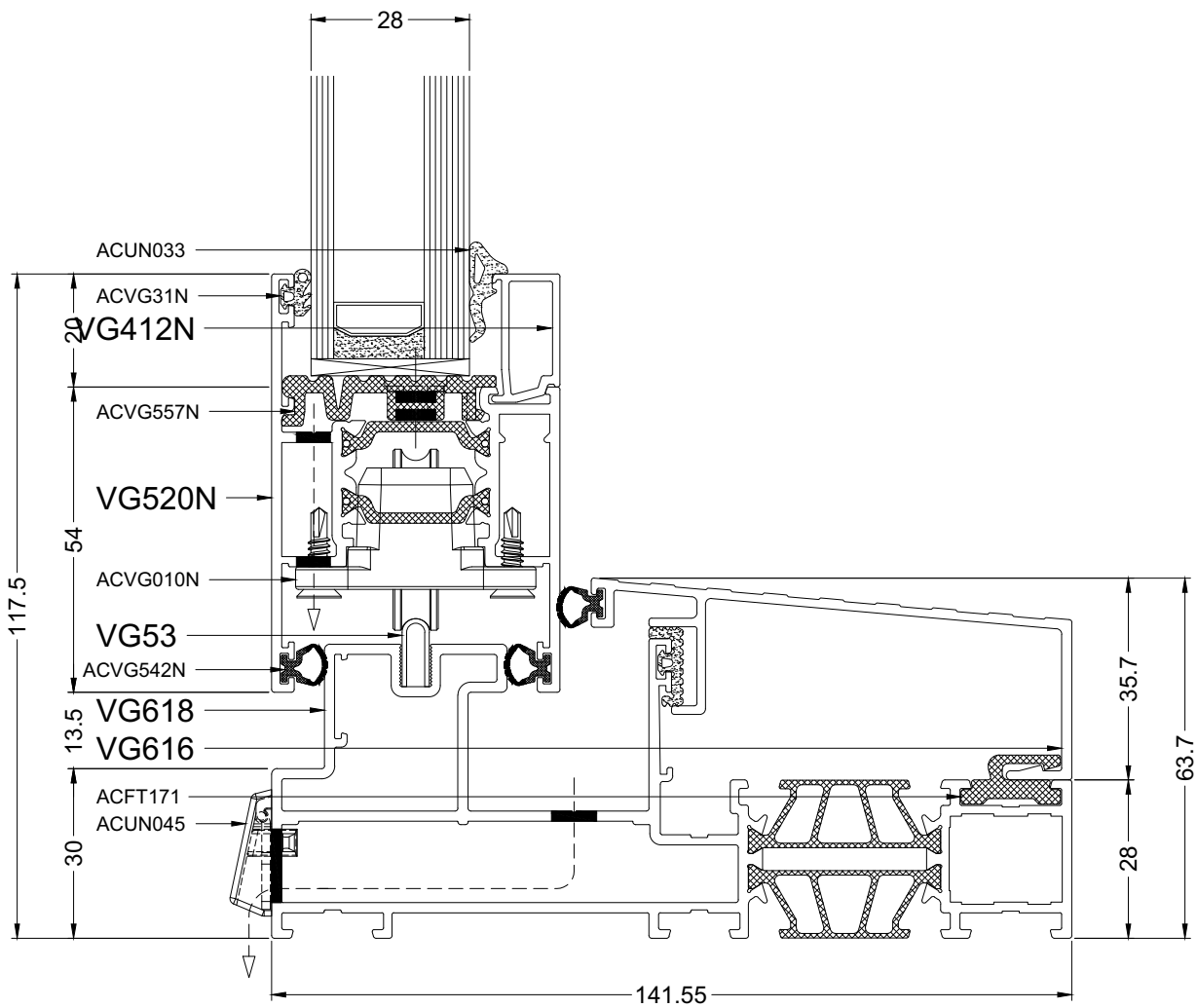
| | | |
|------------|---|-----------------------------|
| OVERZICHT |  | ZIE SZ CATALOGUS |
| APERCU | | VOIR LE CATALOGUE SZ |
| OVERVIEW | | SEE SZ CATALOG |
| UEBERSICHT | | SIEHE SZ KATALOG |



(SIDE)VG617-5220(OUT)



52A



DOORSNEDETEKENINGEN - SECTION DE NOEUDS - PROFILKOMBINATIONEN - SECTION DRAWINGS



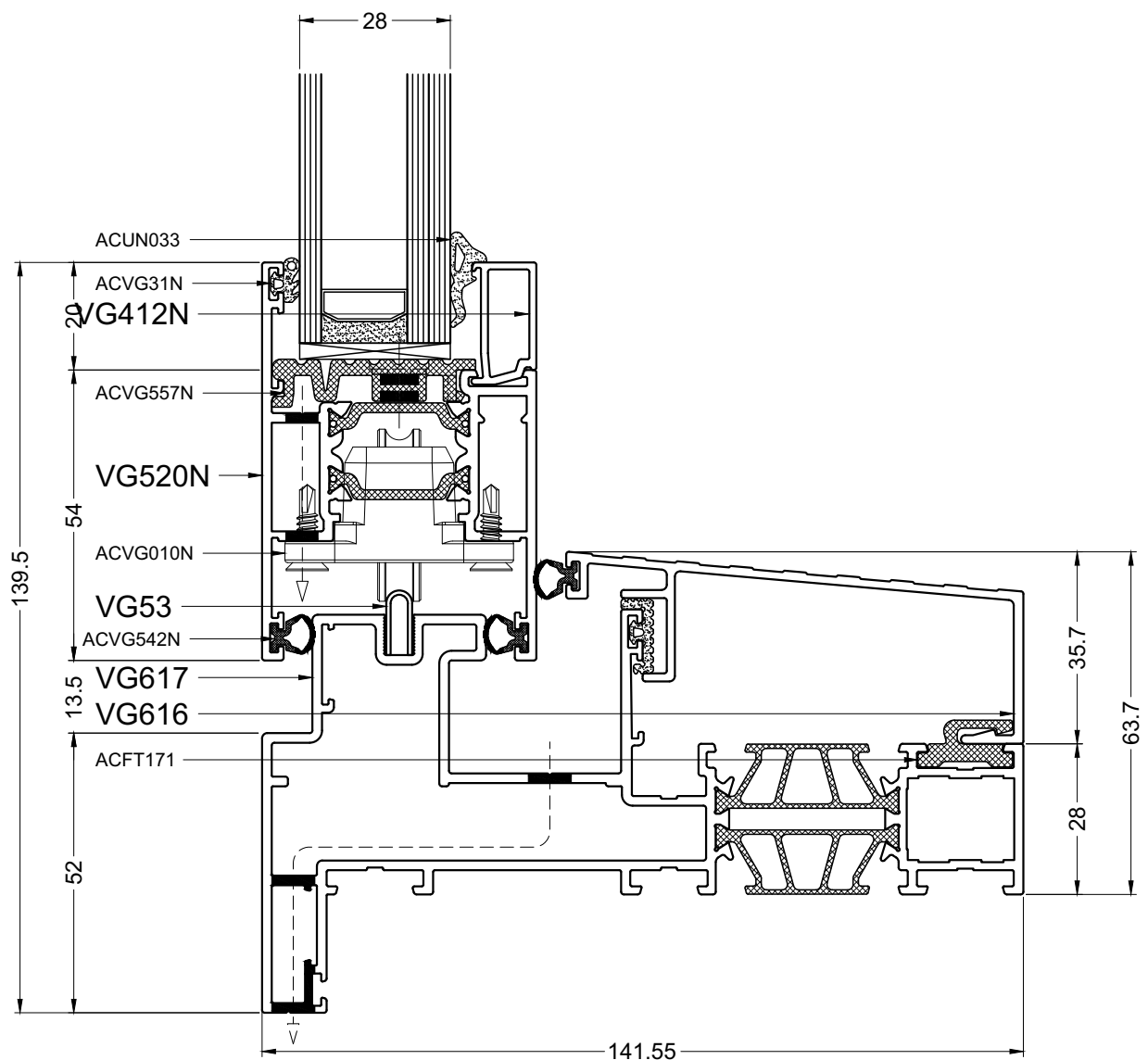
(BOTTOM)VG618-VG520N(OUT)

aliplast
member of



VG500

52A

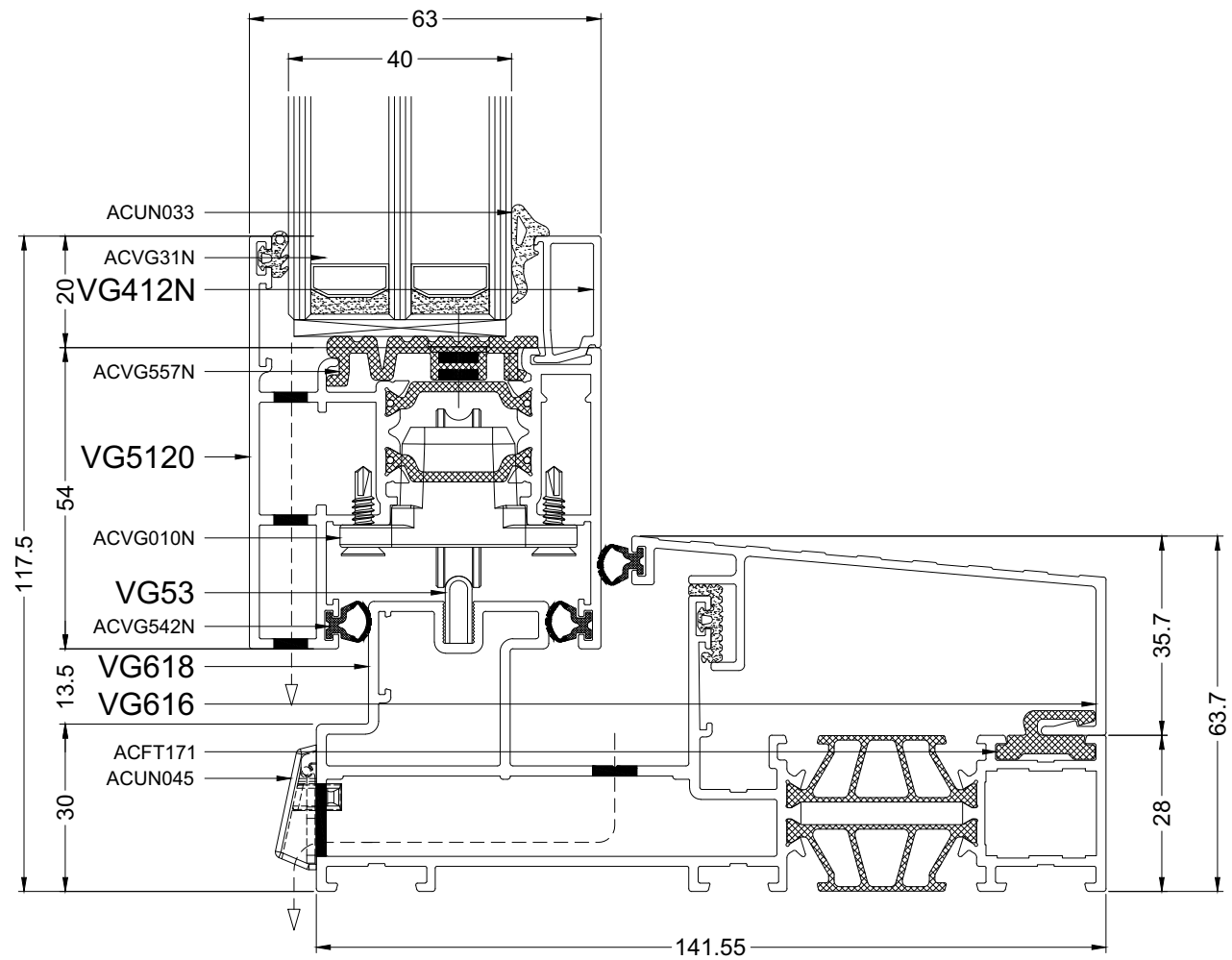


(BOTTOM)VG617-VG520N(OUT)



214

52B



DOORSNEDETEKENINGEN - SECTION DE NOEUDS - PROFILKOMBINATIONEN - SECTION DRAWINGS



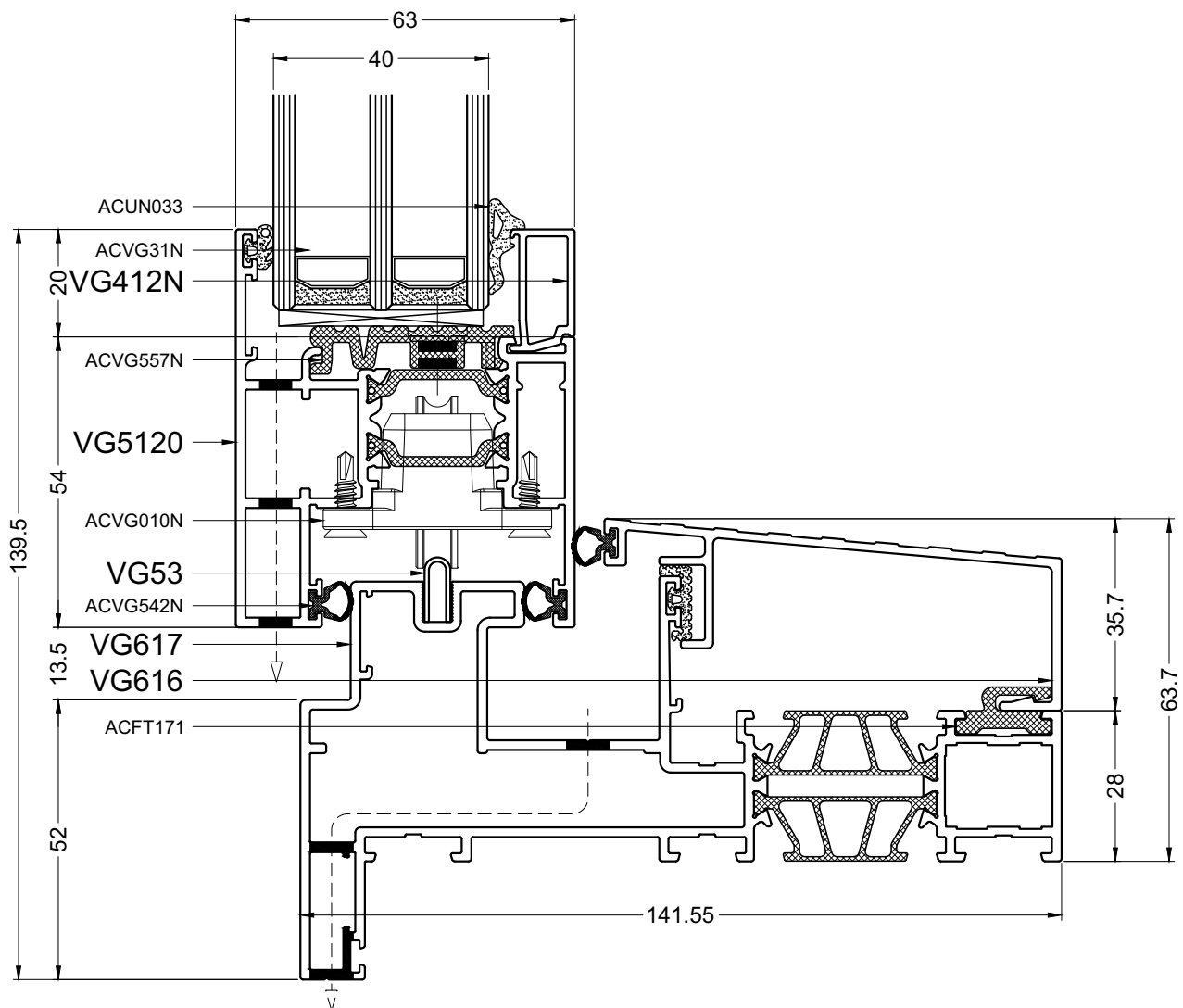
(BOTTOM)VG618-VG5120(OUT)

aliplast
member of



VG500

52B

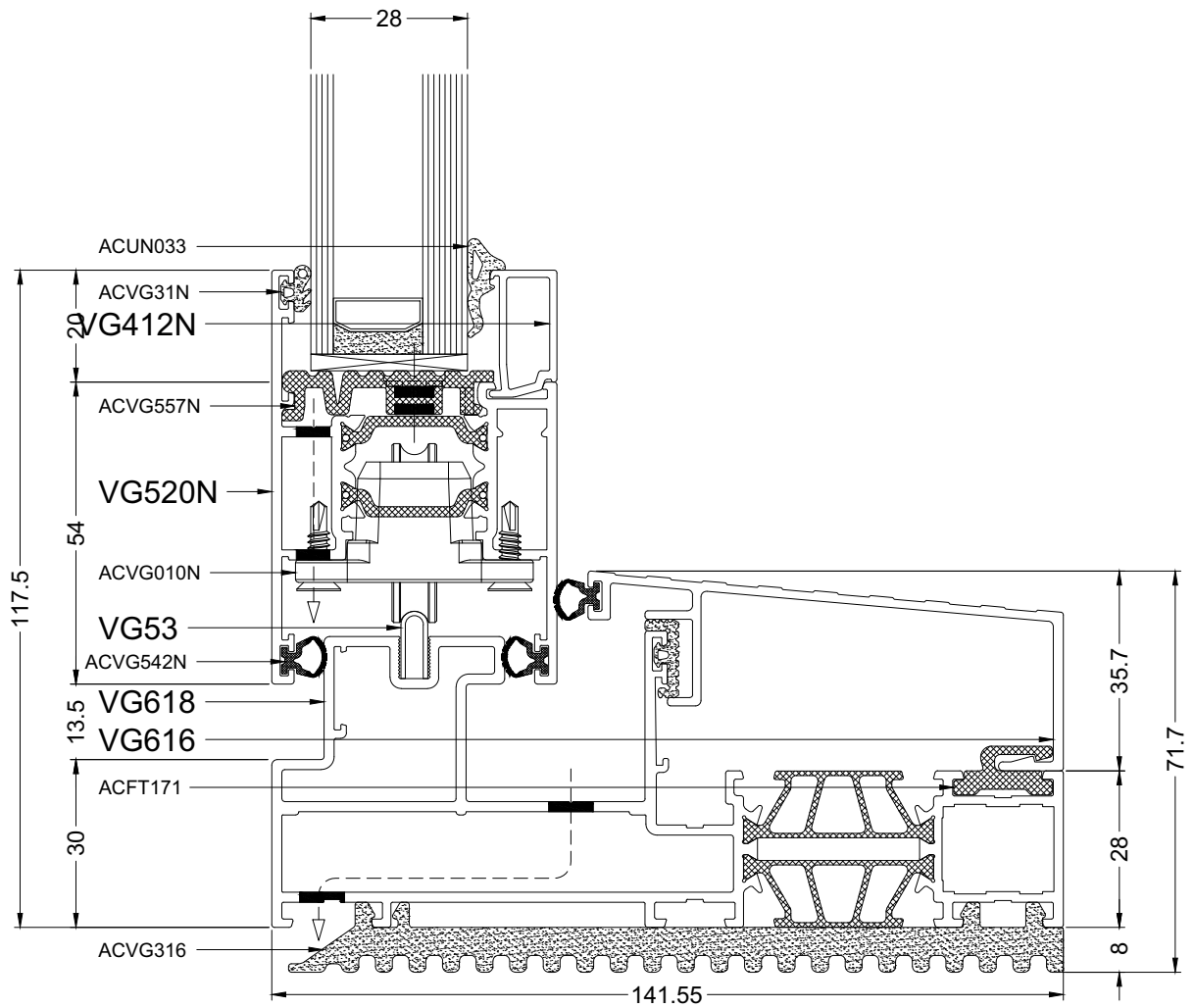


(BOTTOM)VG617-VG5120(OUT)



216

52C



DOORSNEDETEKENINGEN - SECTION DE NOEUDS - PROFILKOMBINATIONEN - SECTION DRAWINGS

(BOTTOM)VG618-VG520N(OUT)(ACVG316)

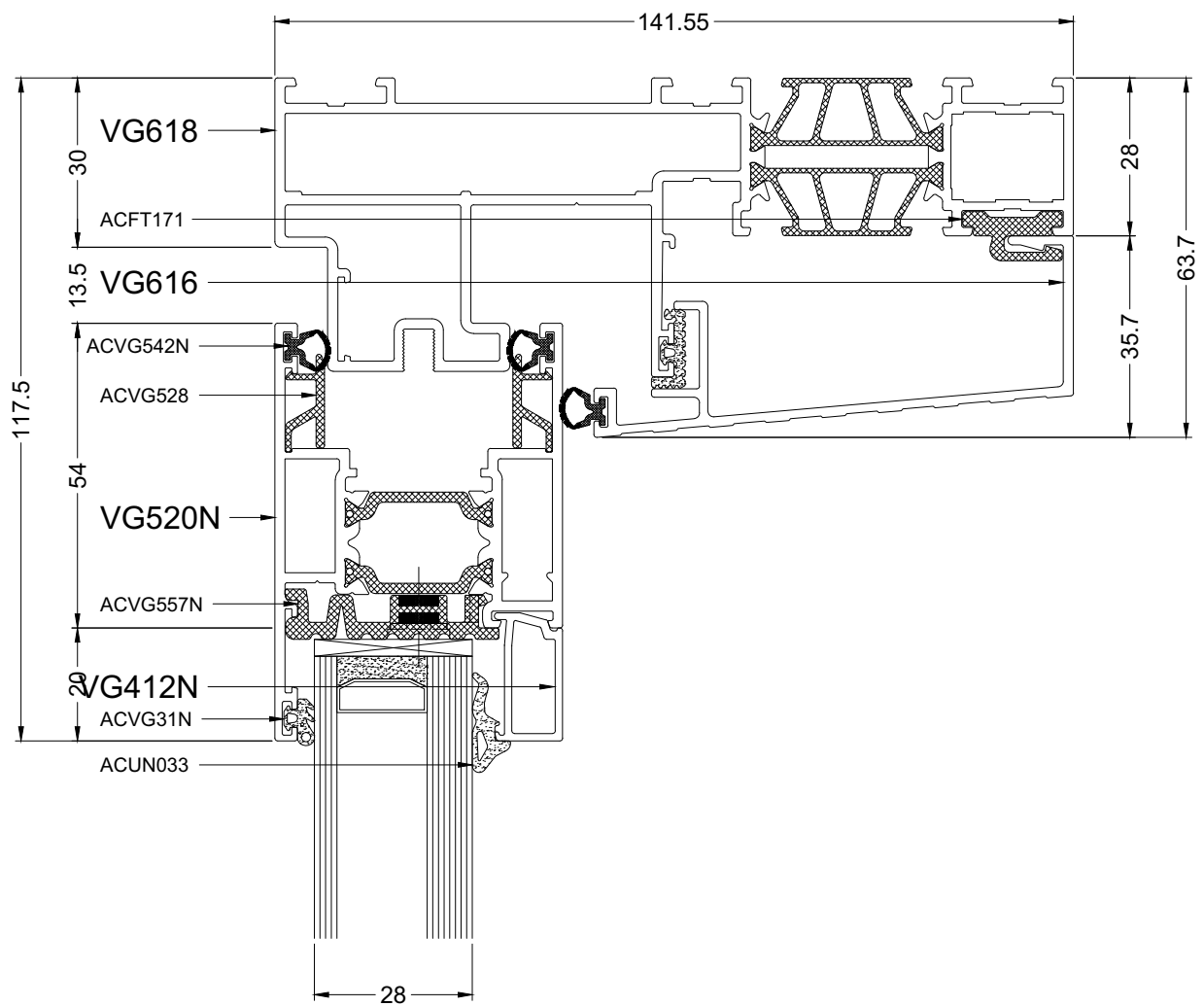


aliplast
member of



VG500

53A

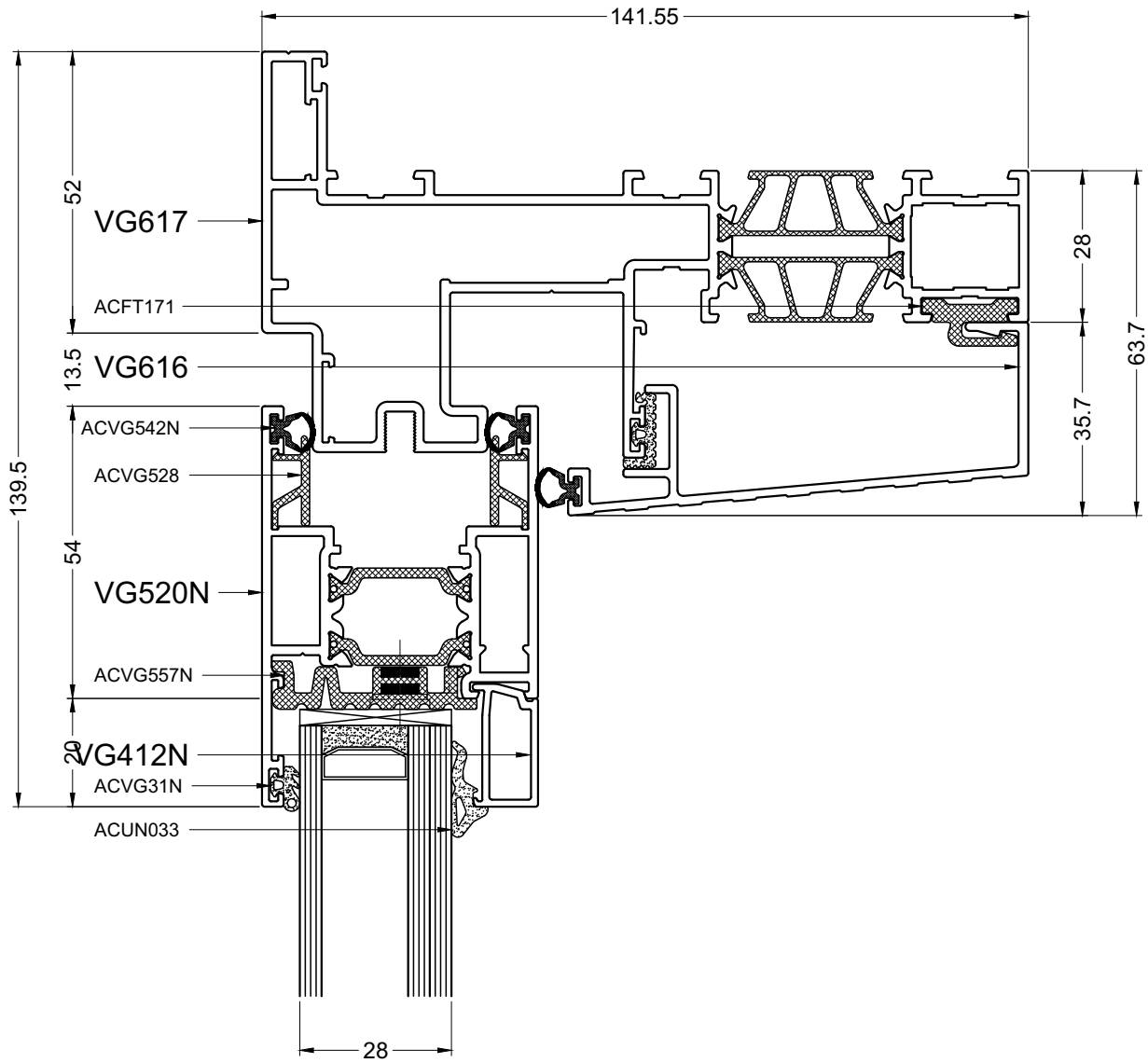


(TOP)VG618-VG520N(OUT)



218

53A



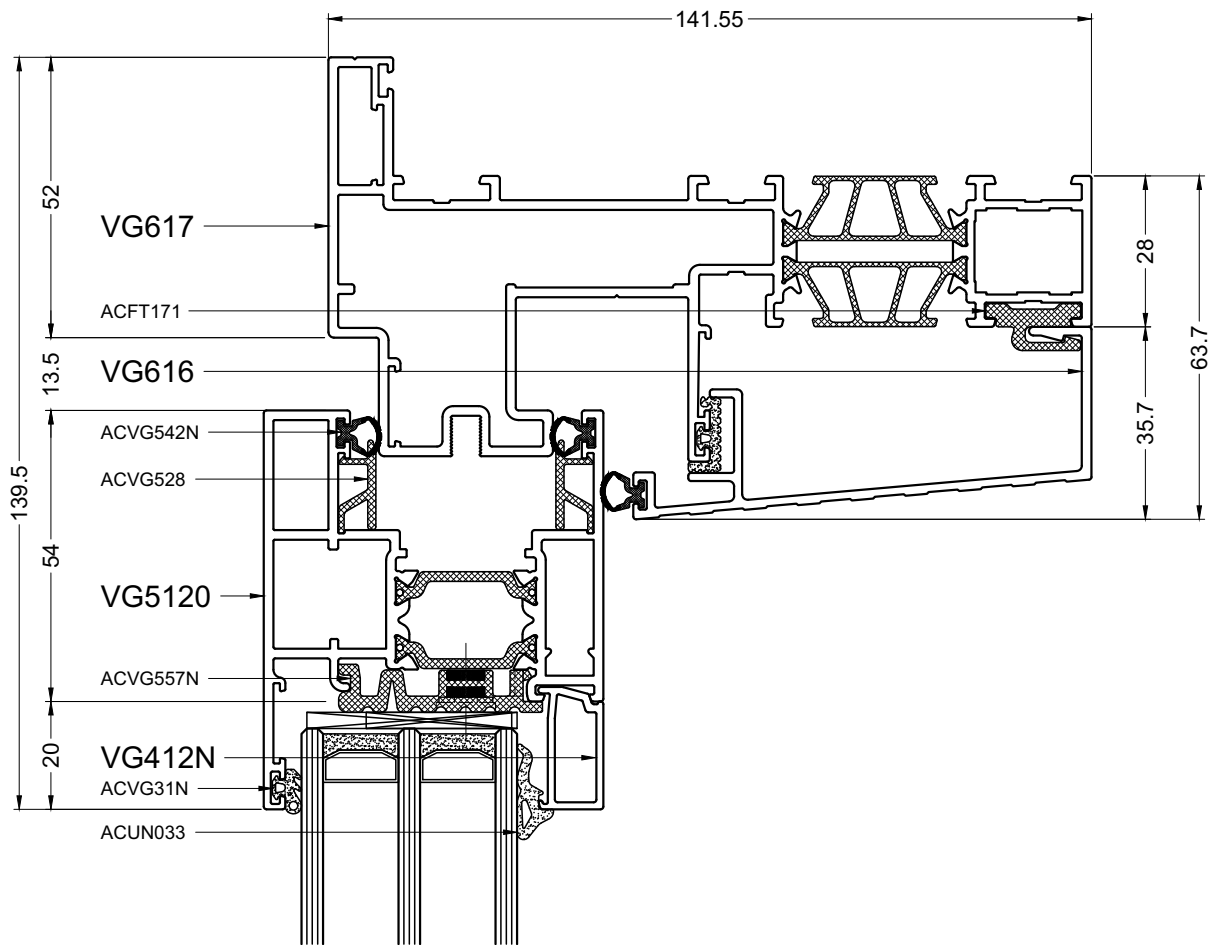
(TOP)VG617-VG520N(OUT)

aliplast
member of



DOORSNEDETEKENINGEN - SECTION DE NOEUDS - PROFILKOMBINATIONEN - SECTION DRAWINGS

53B



DOORSNEDETEKENINGEN - SECTION DE NOEUDS - PROFILKOMBINATIONEN - SECTION DRAWINGS



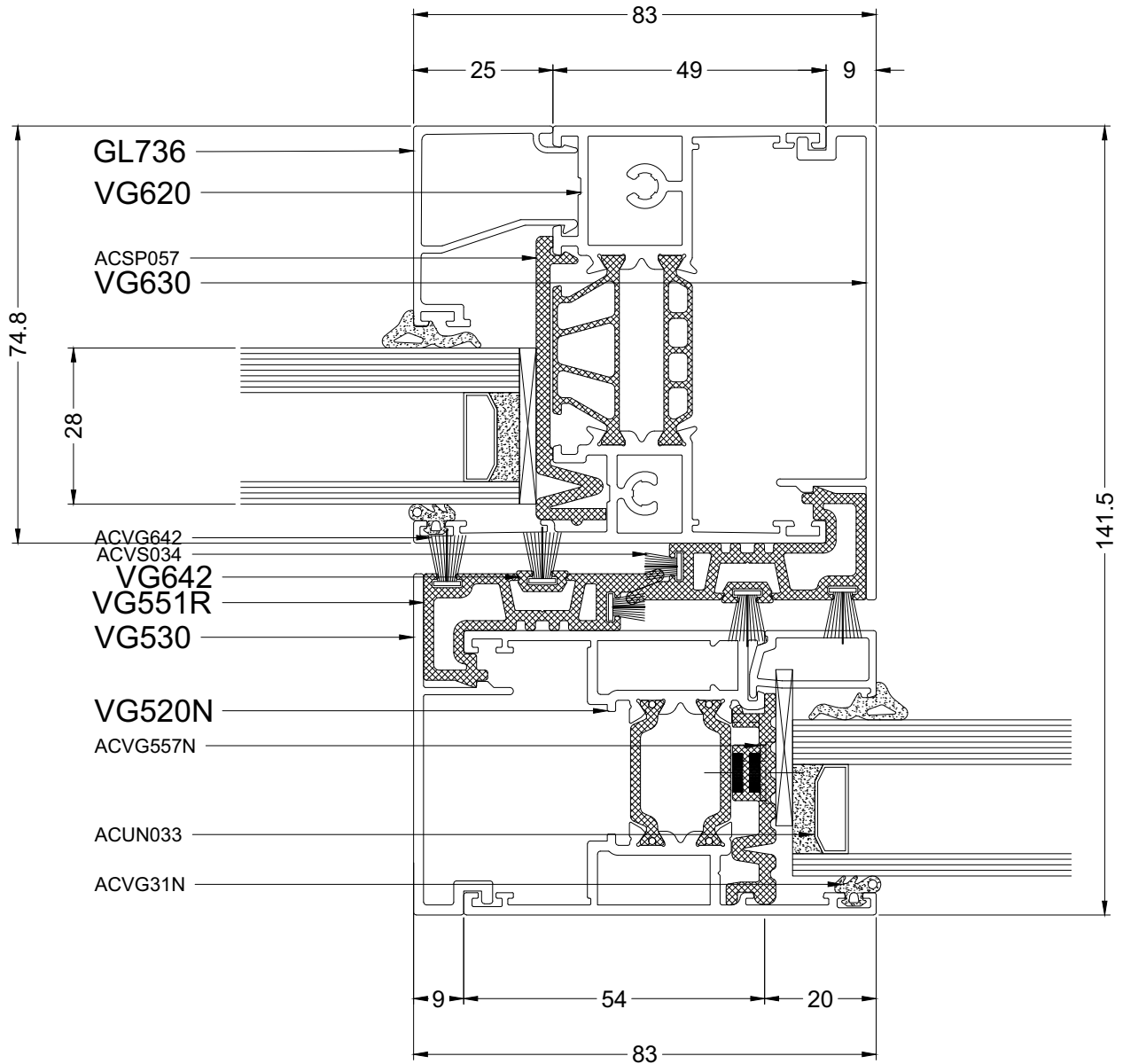
(TOP)VG617-VG5120(OUT)

aliplast
member of



VG500

54A

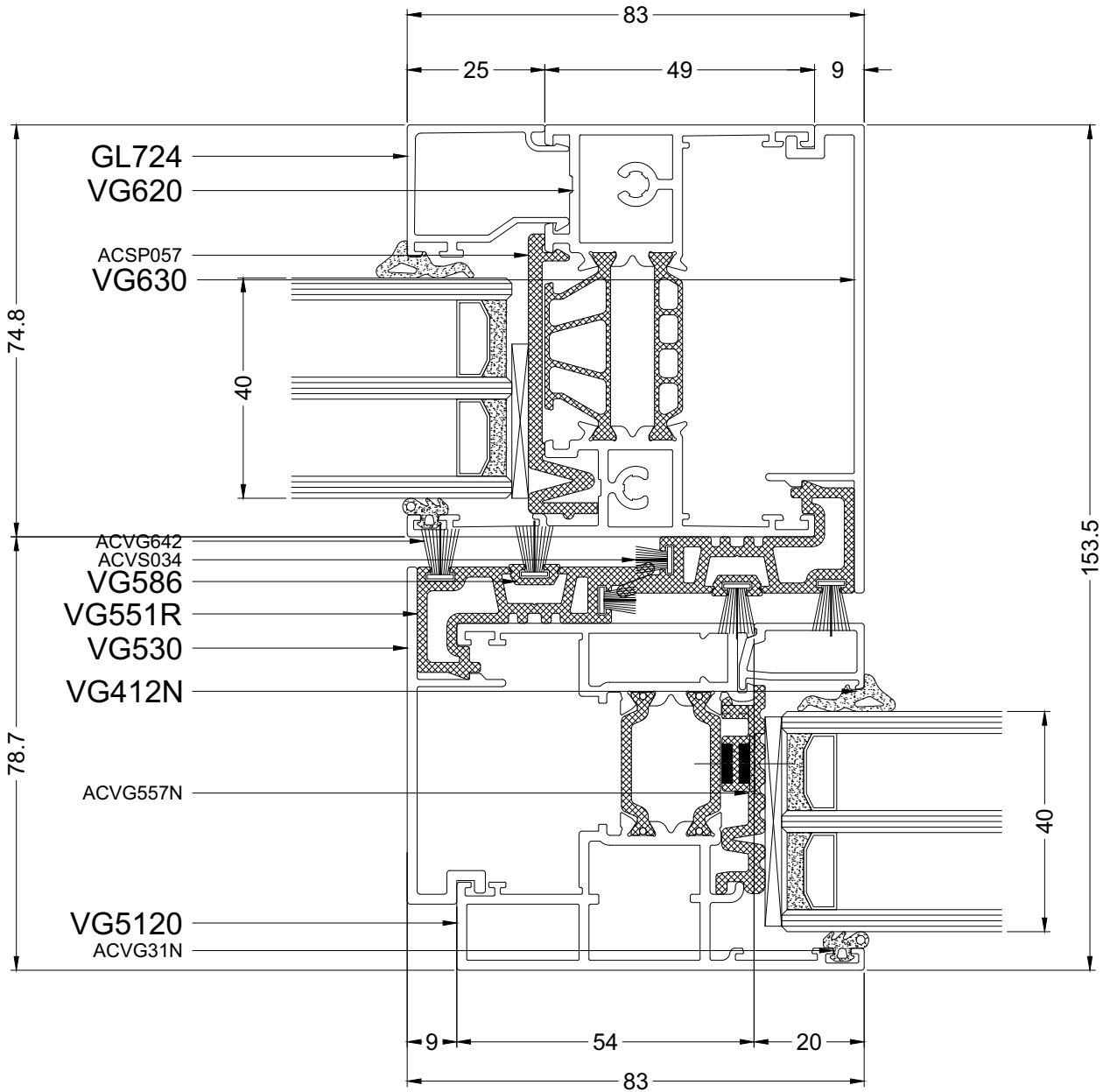


(VG630)-VG620-VG520N(VG530)



222

54B



DOORSNEDETEKENINGEN - SECTION DE NOEUDS - PROFILKOMBINATIONEN - SECTION DRAWINGS

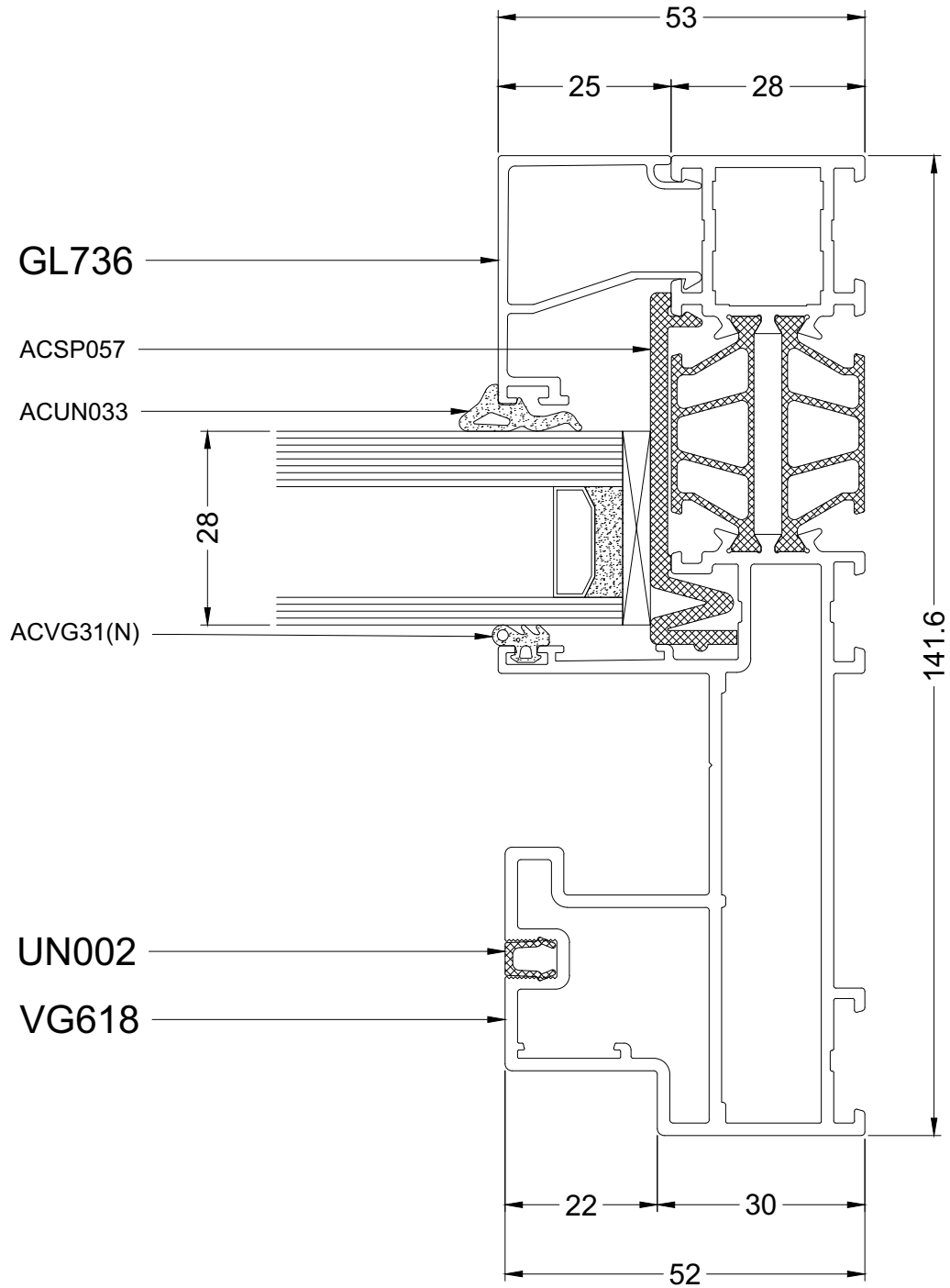
(VG630)-VG620-VG5120(VG530)

aliplast
member of



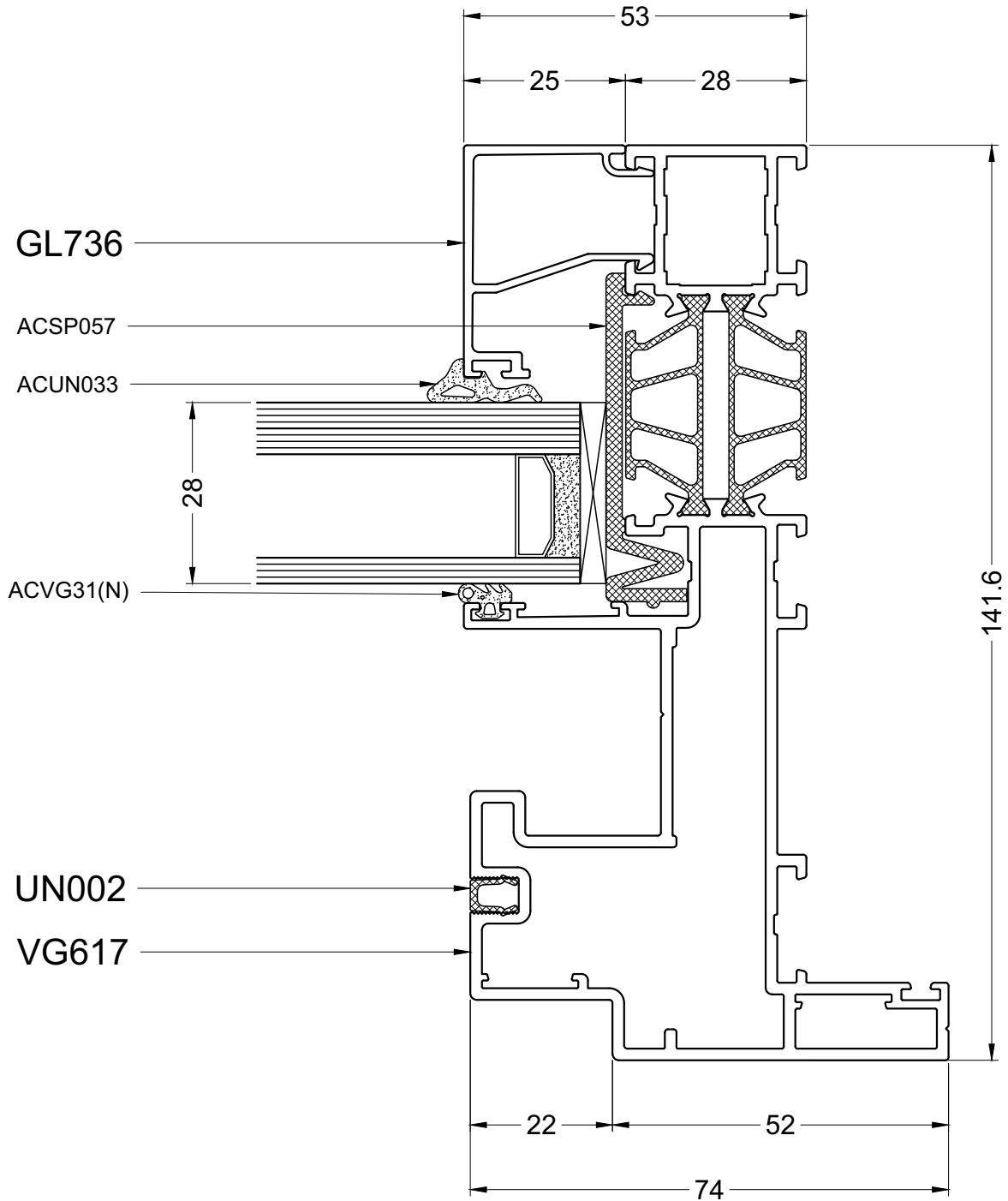
VG500

55



(SIDE)VG618(IN)(FIX)

224



DOORSNEDETEKENINGEN - SECTION DE NOEUDES - PROFILKOMBINATIONEN - SECTION DRAWINGS

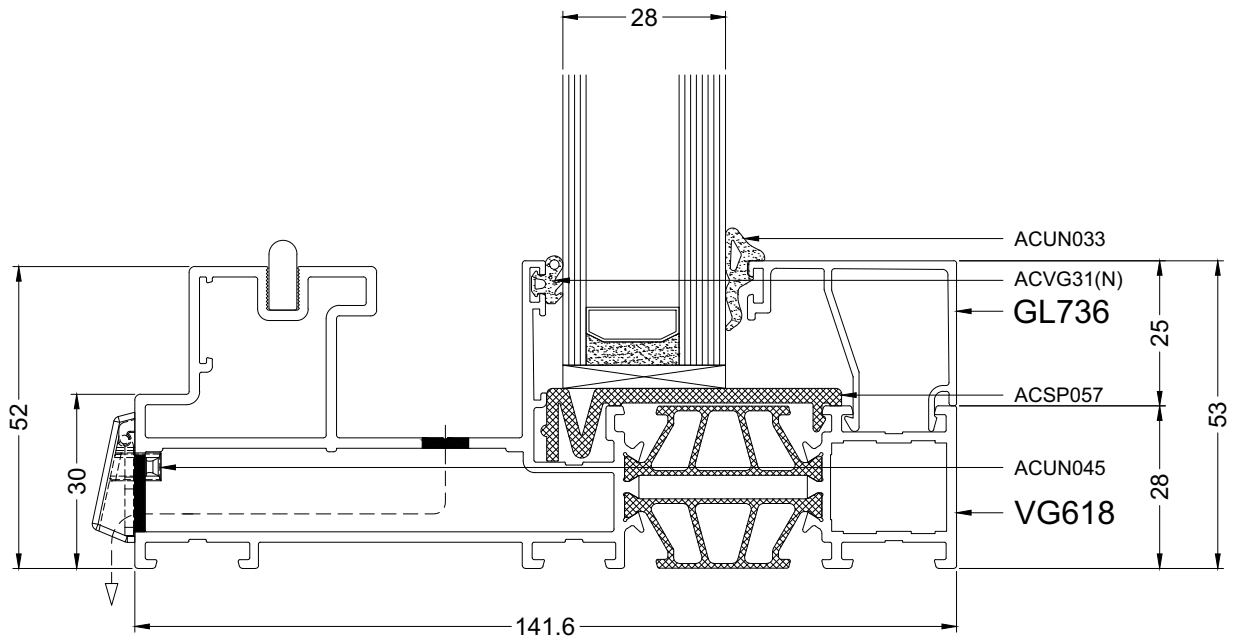
(SIDE)VG617(IN)(FIX)

aliplast
member of



VG500

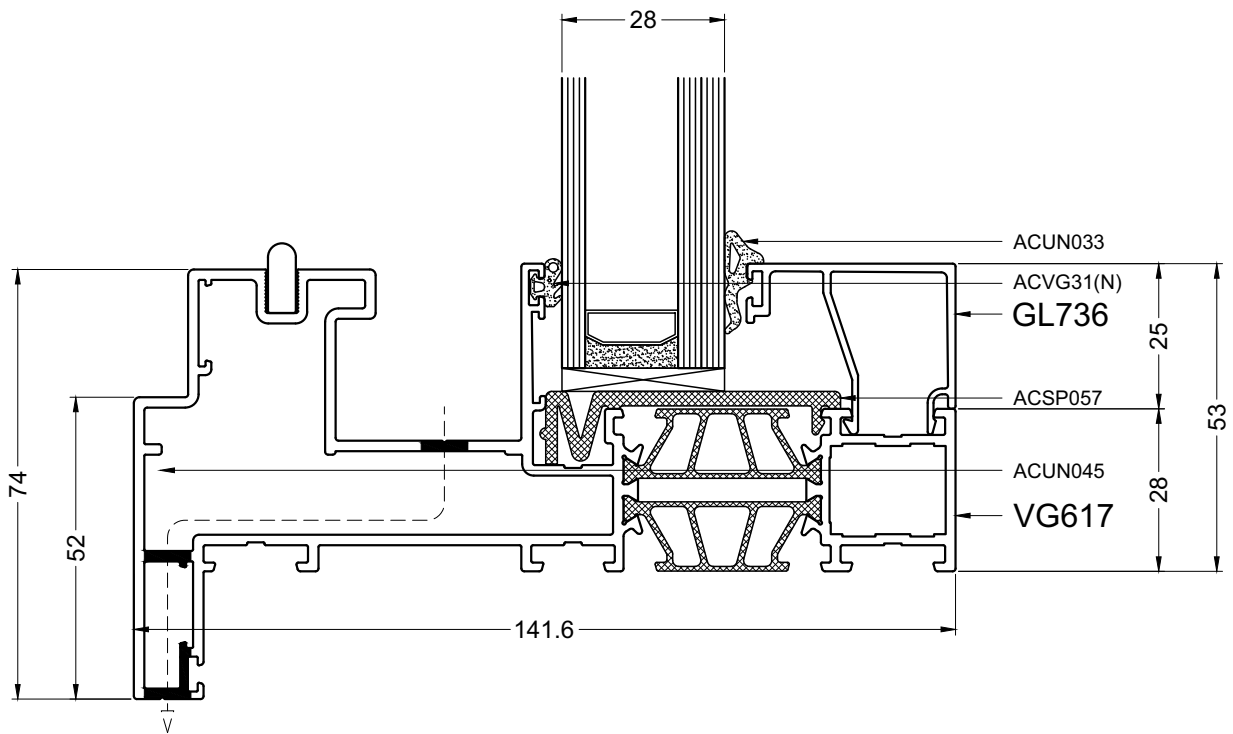
56



(BOTTOM)VG618(IN)(FIX)



226



DOORSNEDETEKENINGEN - SECTION DE NOEUDS - PROFILKOMBINATIONEN - SECTION DRAWINGS



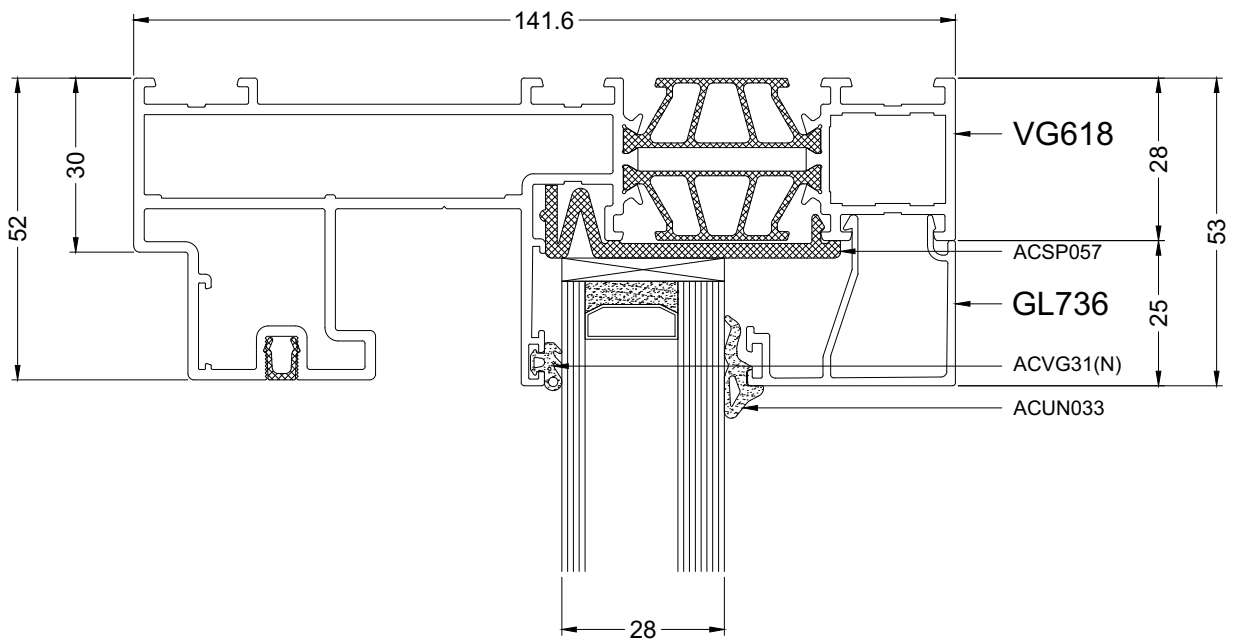
(BOTTOM)VG617(IN)(FIX)

aliplast
member of



VG500

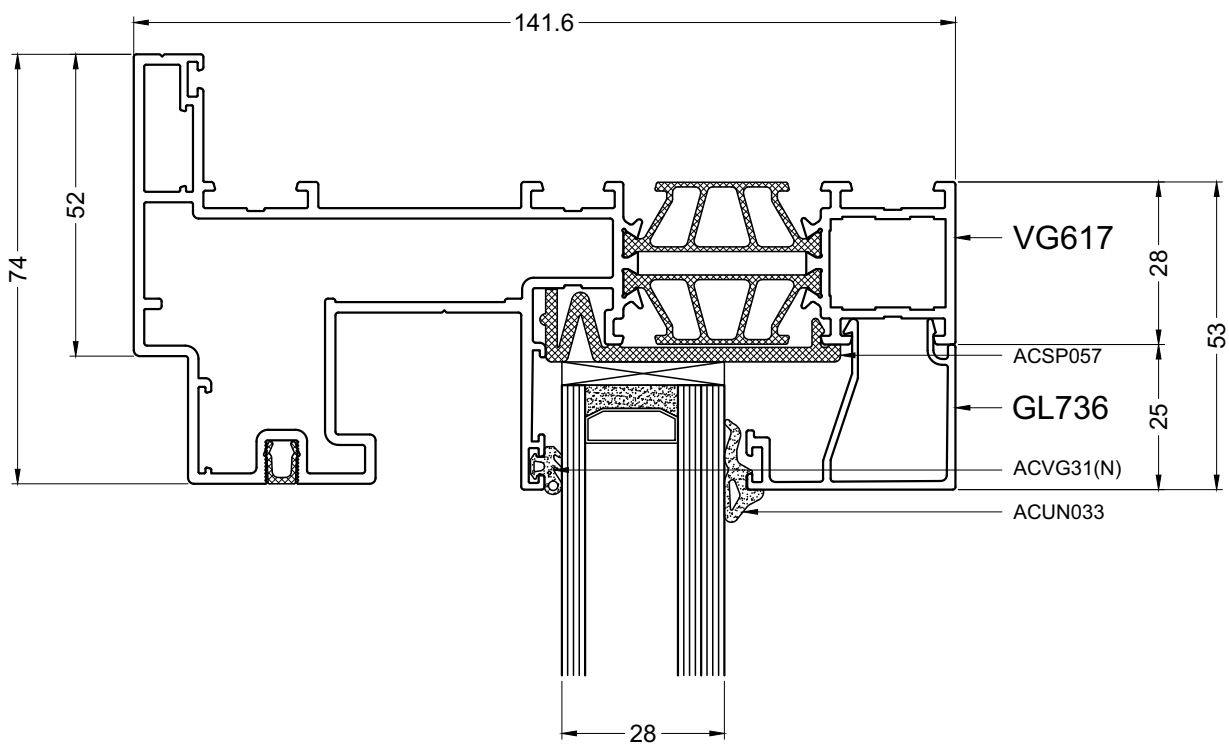
57



(TOP)VG618(IN)(FIX)



228



DOORSNEDETEKENINGEN - SECTION DE NOEUDS - PROFILKOMBINATIONEN - SECTION DRAWINGS



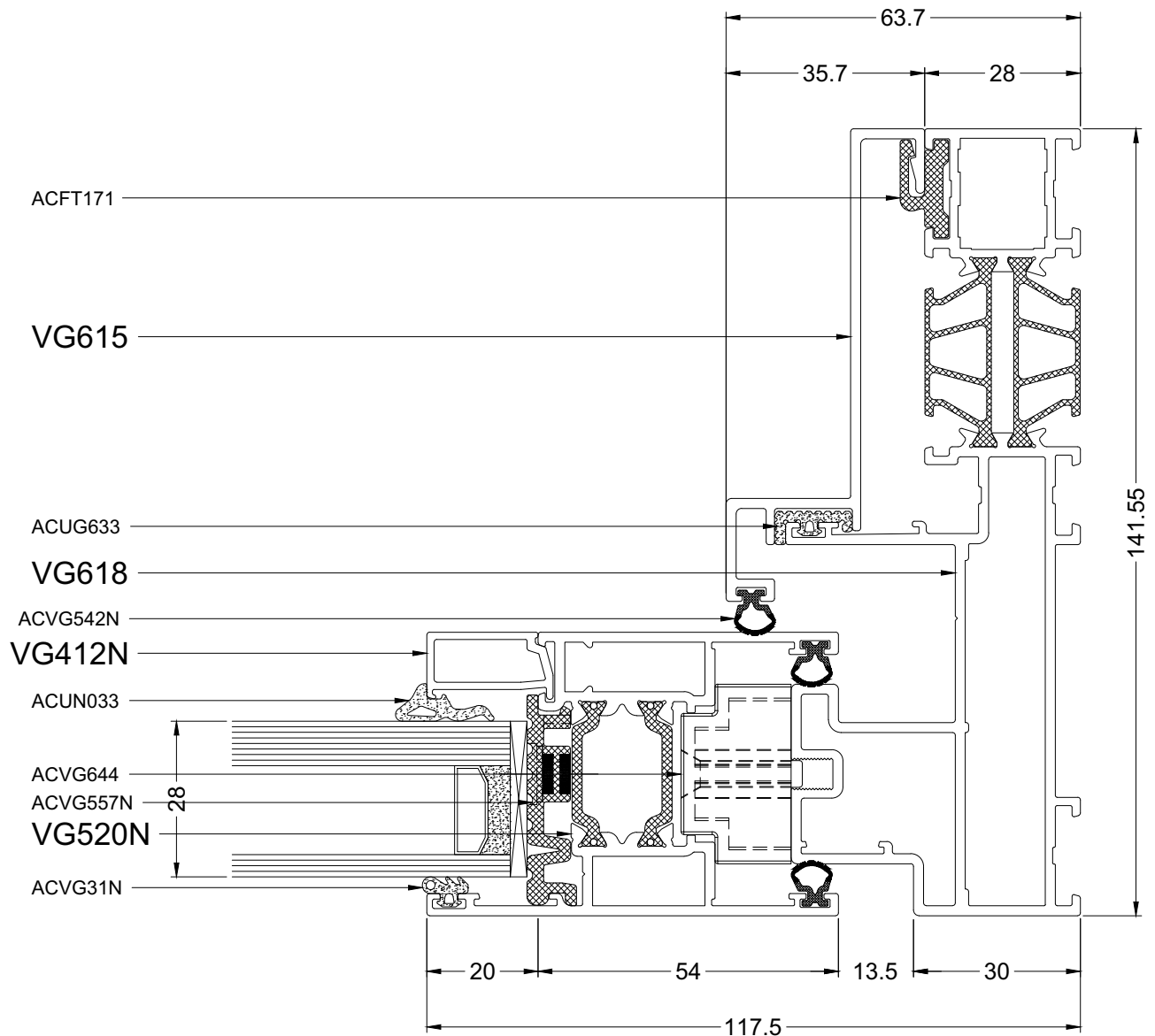
(TOP)VG617(IN)(FIX)

aliplast
member of



VG500

58A

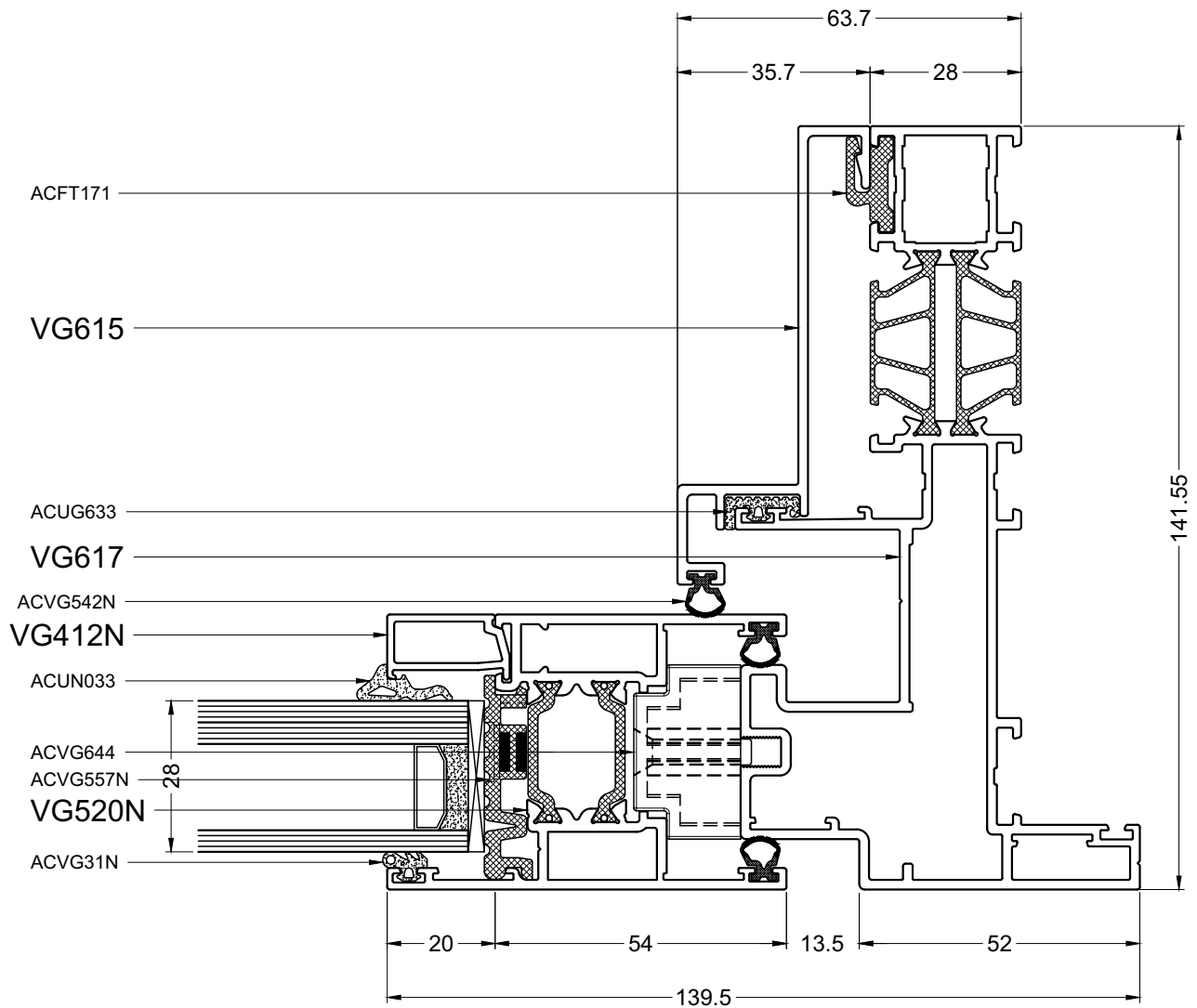


(SIDE)VG618-520N(OUT)(FIX)



230

58A



DOORSNEDETEKENINGEN - SECTION DE NOEUDS - PROFILKOMBINATIONEN - SECTION DRAWINGS



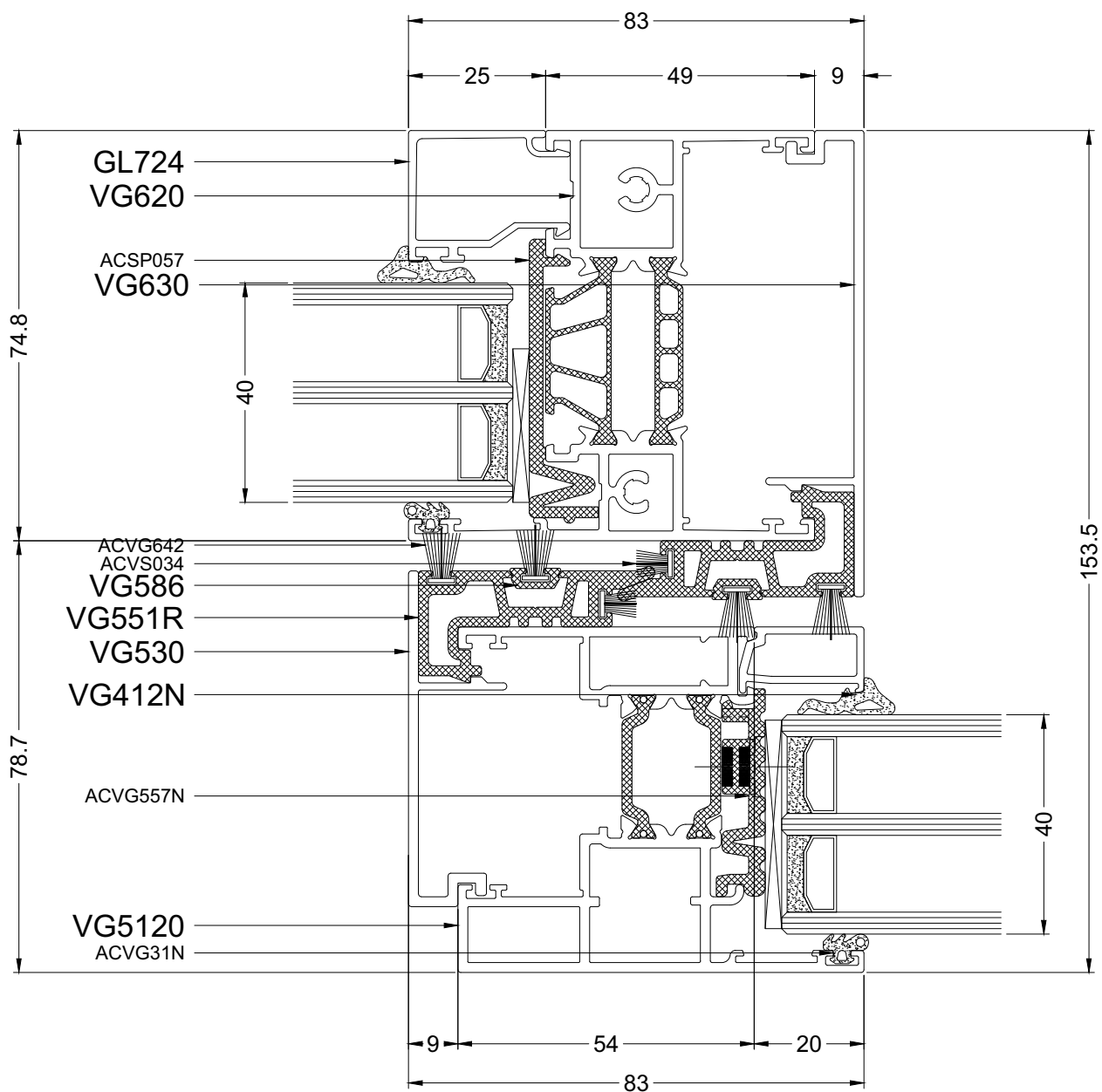
(SIDE)VG617-520N(OUT)(FIX)

aliplast
member of



VG500

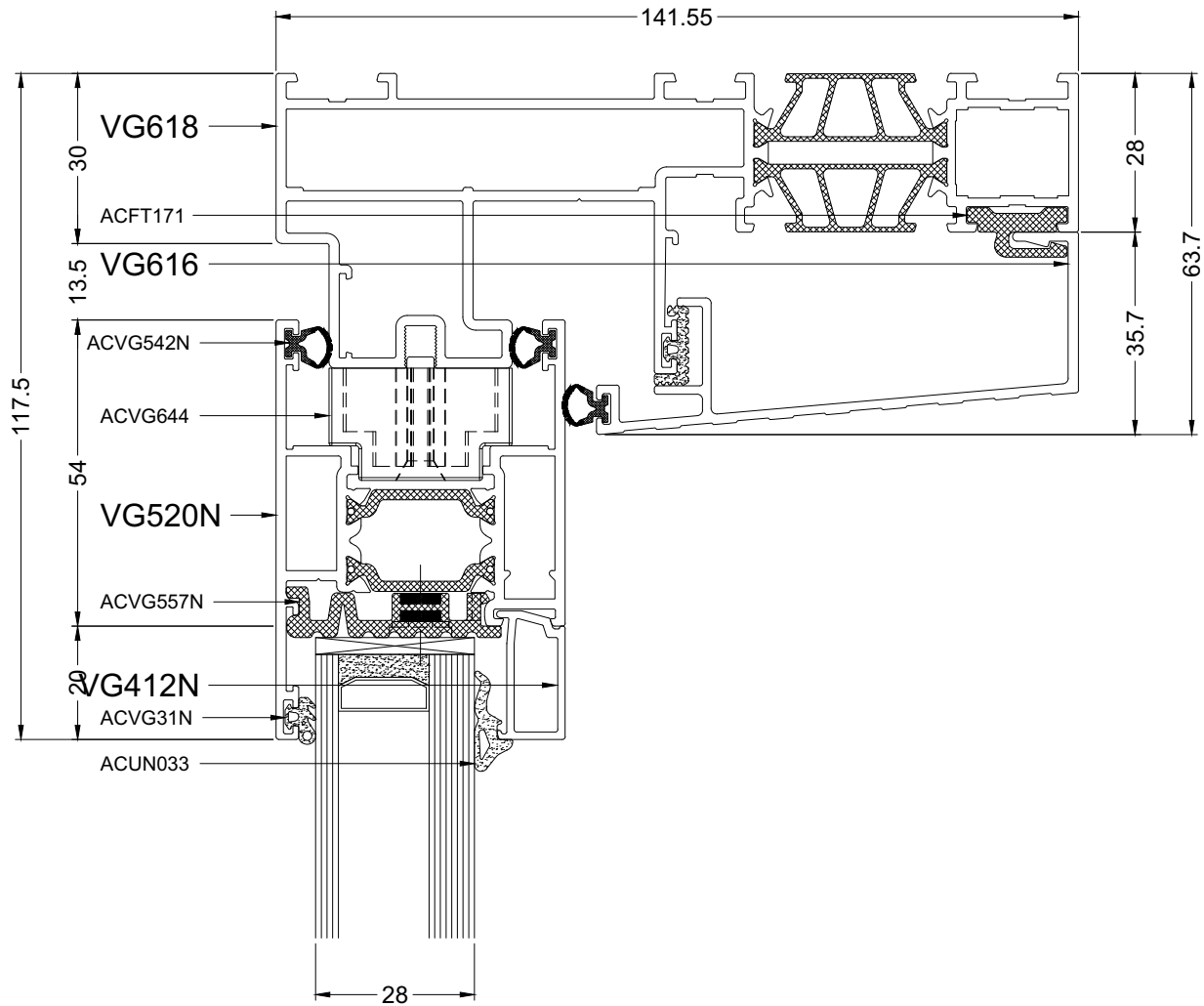
58B



(VG630)-VG620-VG5120(VG530)



60A



(TOP)VG618-VG520N(OUT)(FIX)

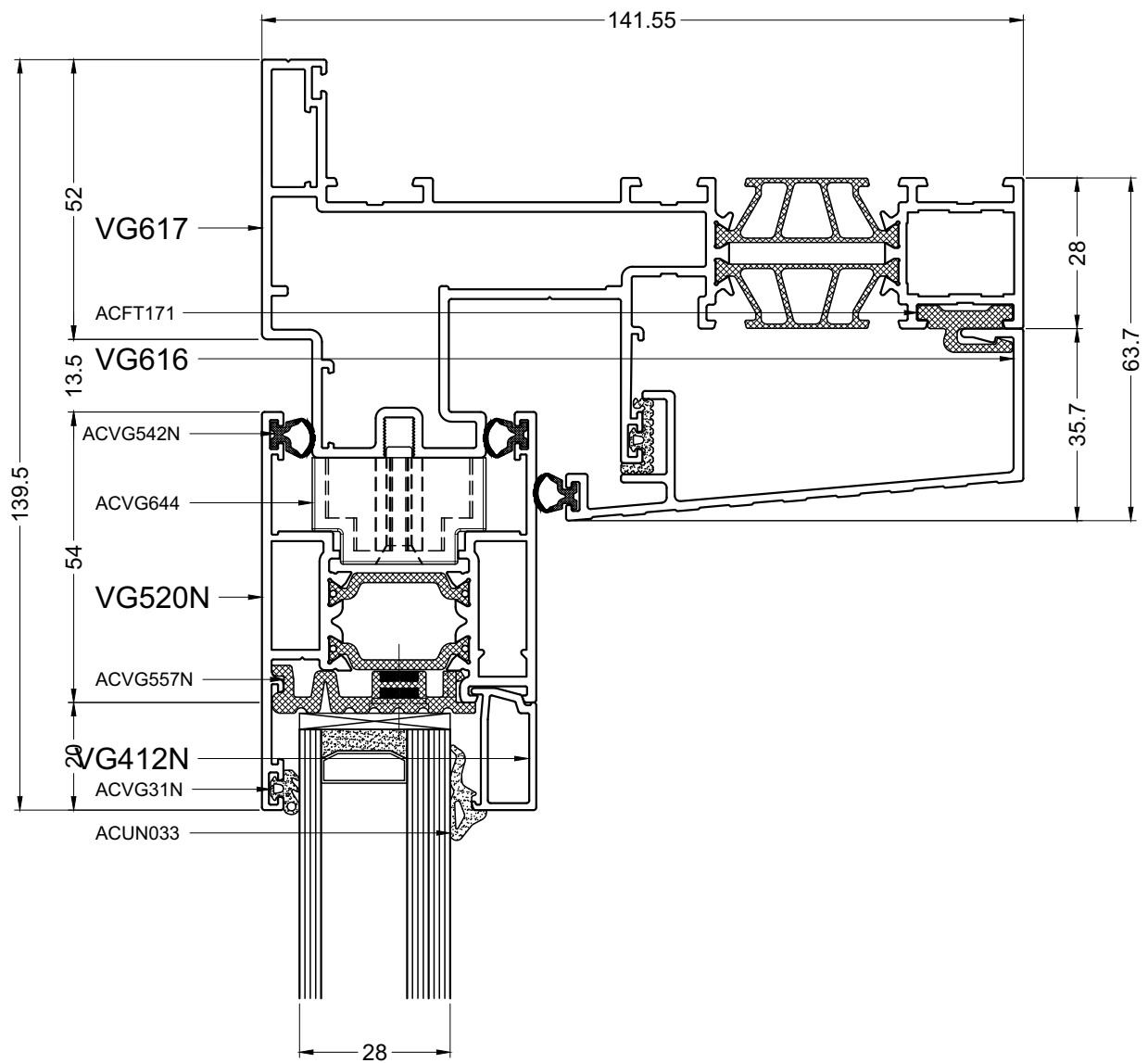
aliplast
member of



DOORSNEDETEKENINGEN - SECTION DE NOEUDS - PROFILKOMBINATIONEN - SECTION DRAWINGS

VG500

60A

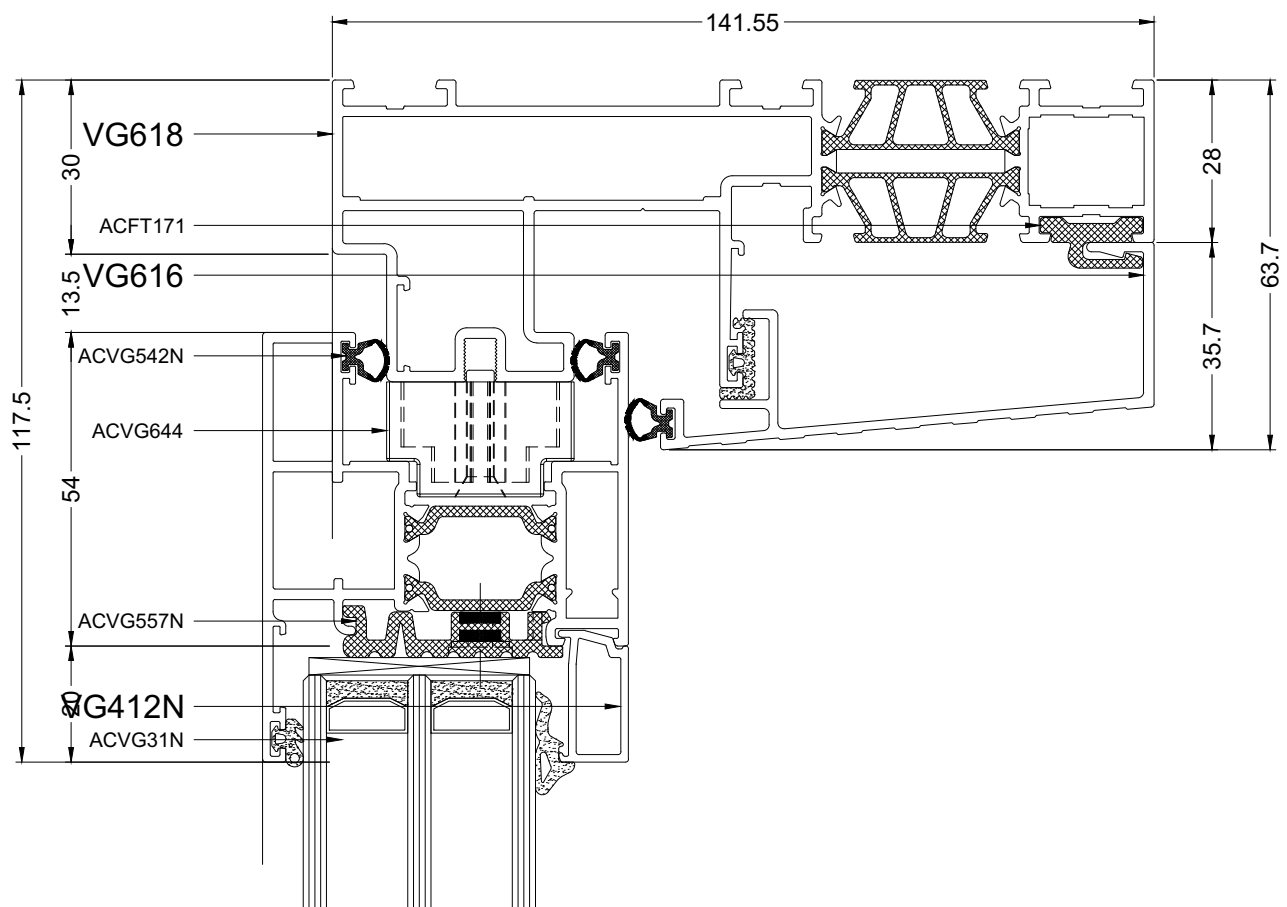


(TOP)VG617-VG520N(OUT)(FIX)



234

60B



DOORSNEDETEKENINGEN - SECTION DE NOEUDS - PROFILKOMBINATIONEN - SECTION DRAWINGS



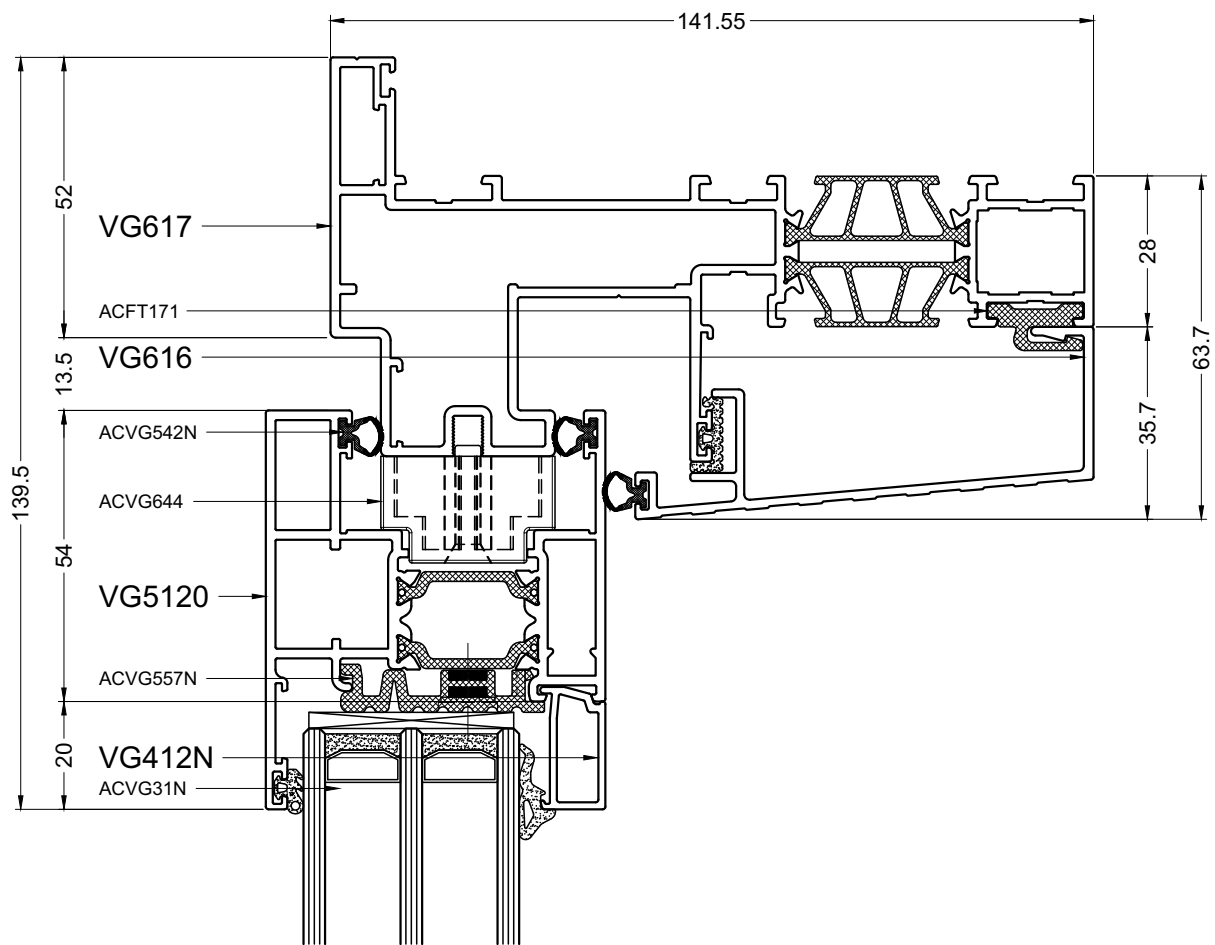
(TOP)VG618-VG5120NOUT(FIX)

aliplast
member of



VG500

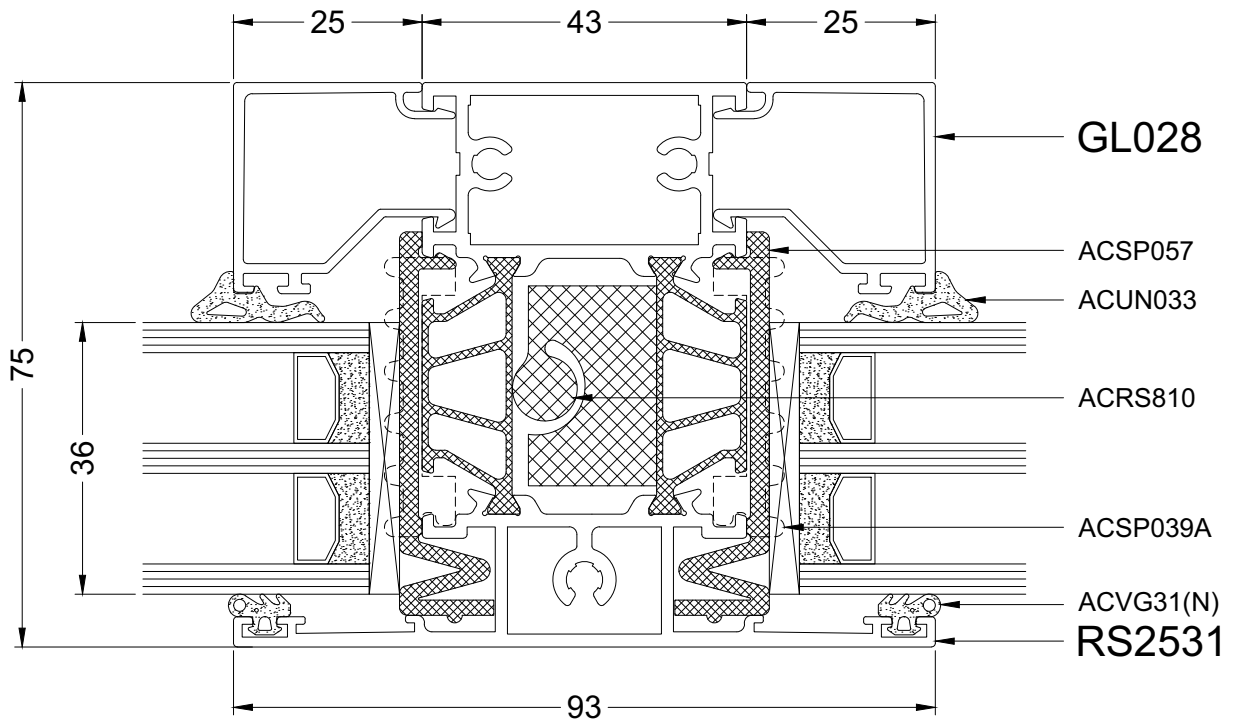
60B



(TOP)VG617-VG5120(NOUT)(FIX)



236



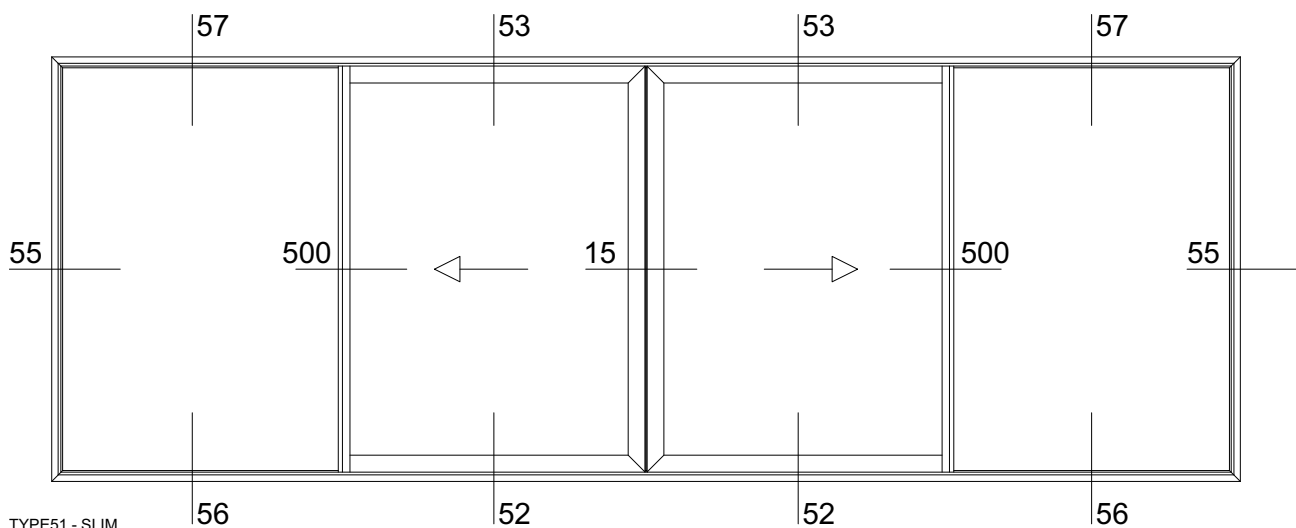
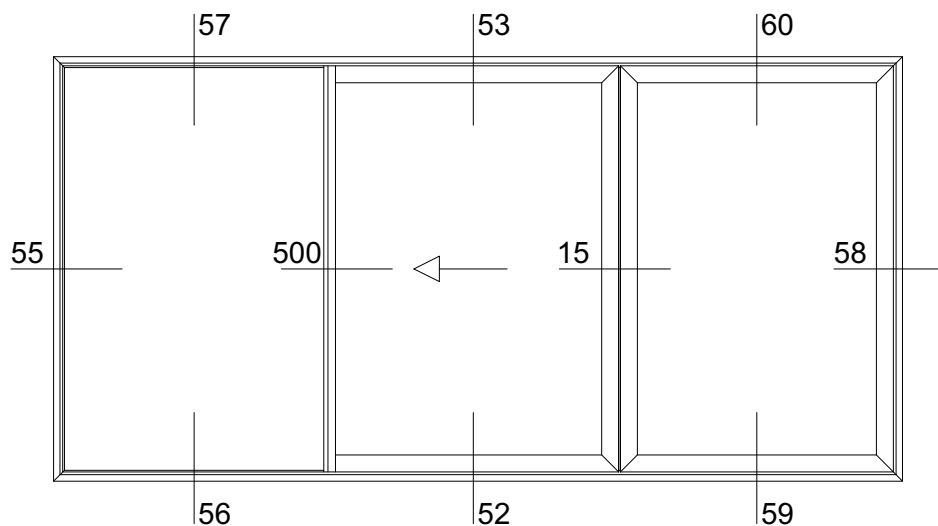
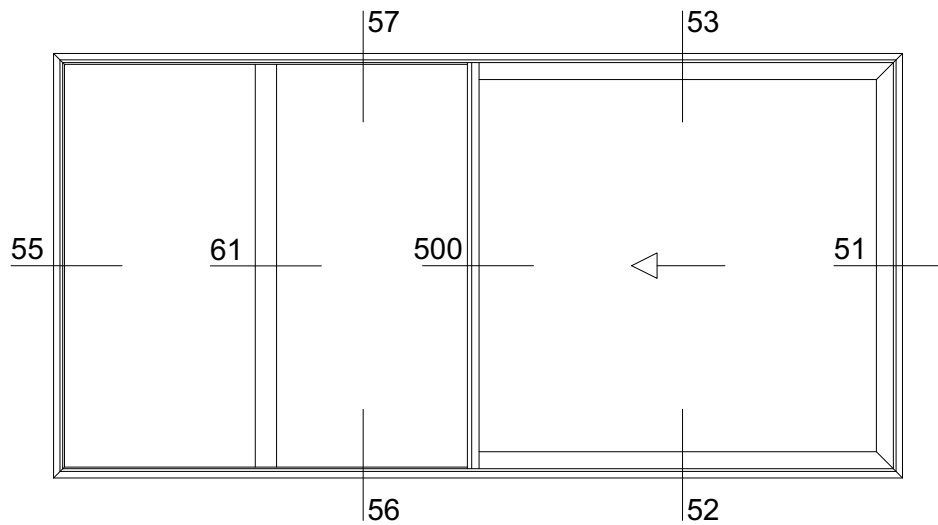
DOORSNEDETEKENINGEN - SECTION DE NOEUDS - PROFILKOMBINATIONEN - SECTION DRAWINGS

RS2531

VG500

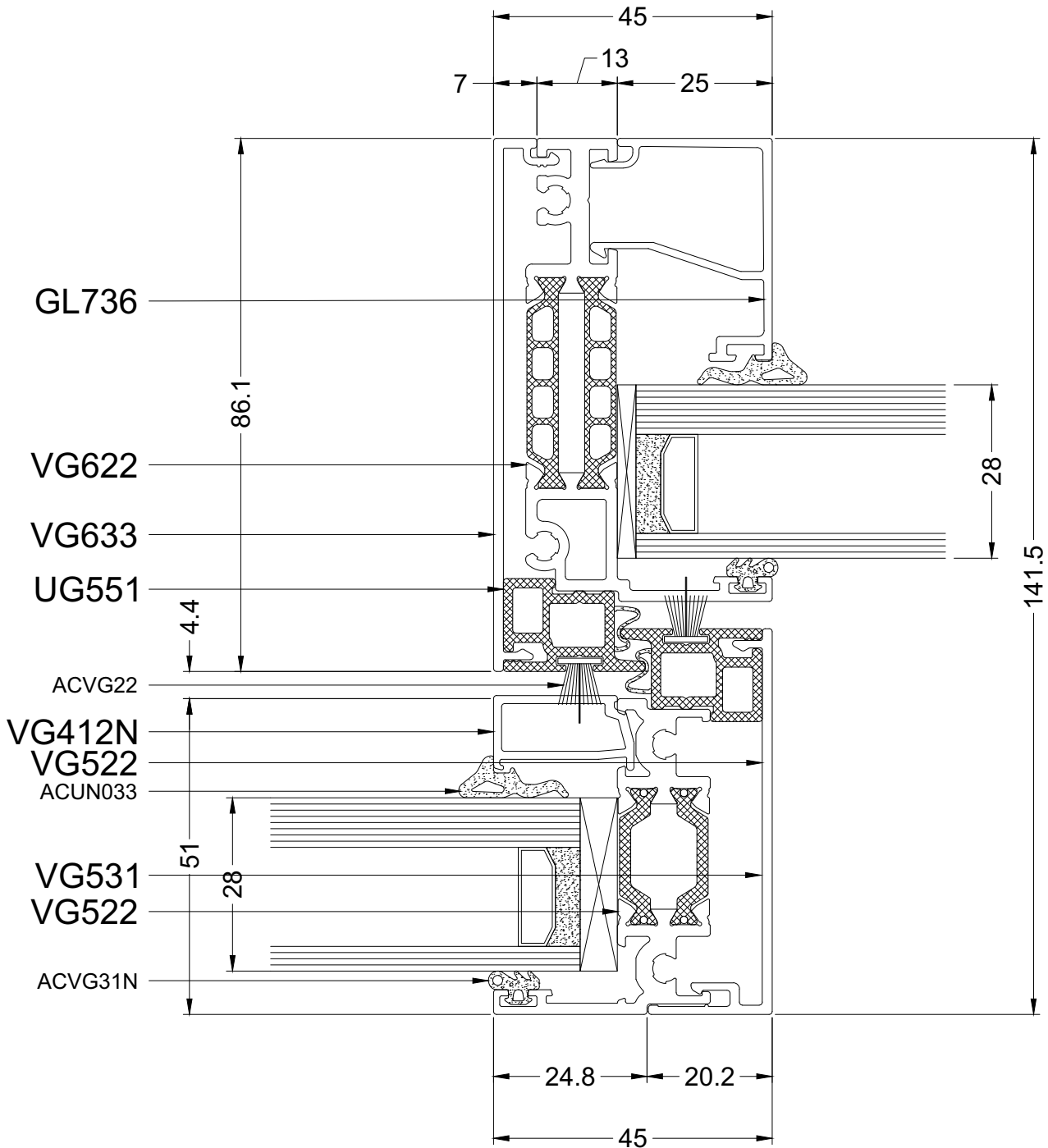
MONORAIL / MONORAIL
MONORAIL / MONORAIL

MaxLight



TYPE51 - SLIM

500



DOORSNEDETEKENINGEN - SECTION DE NOEUDS - PROFILKOMBINATIONEN - SECTION DRAWINGS

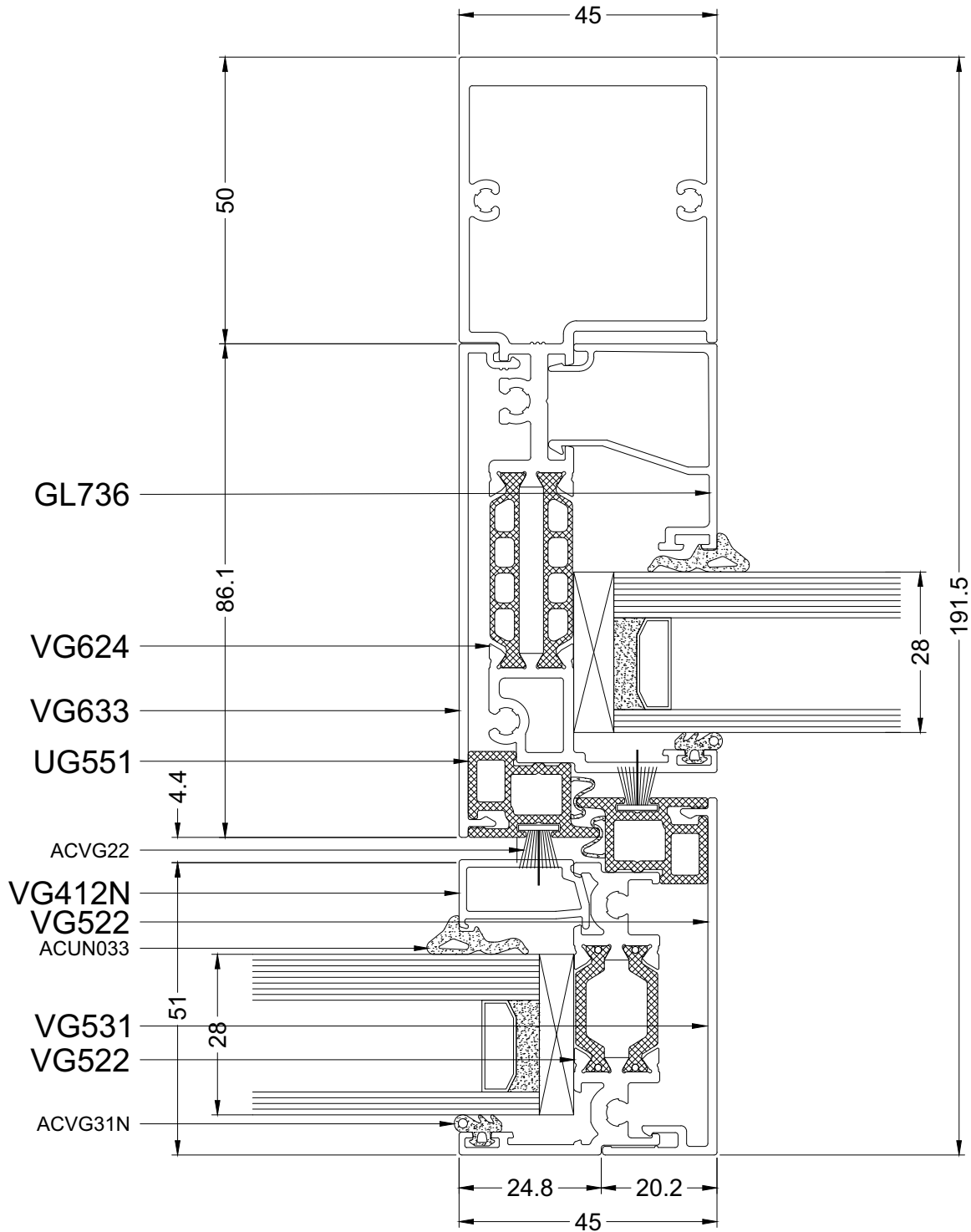
VG522-VG622

aliplast
member of

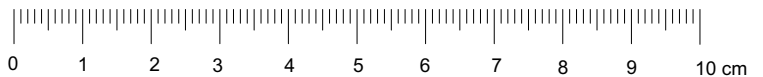


VG500

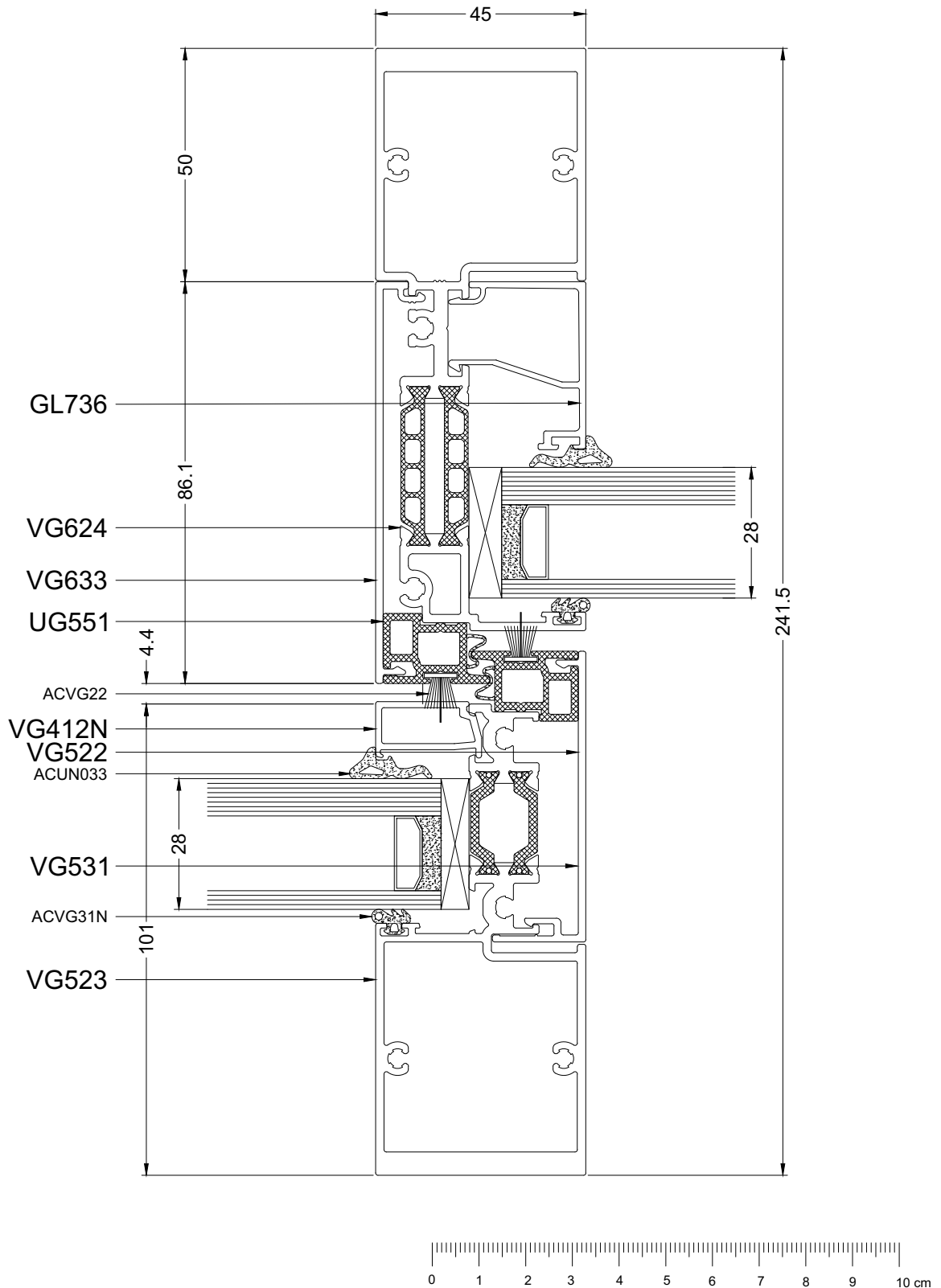
500



VG522-VG624

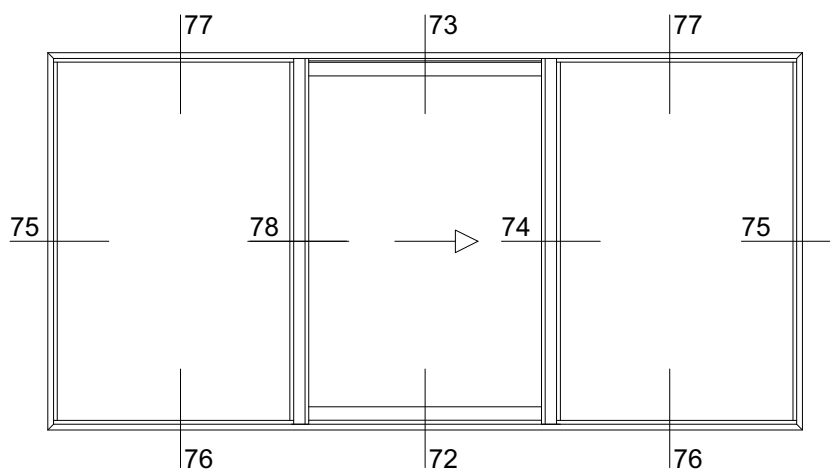
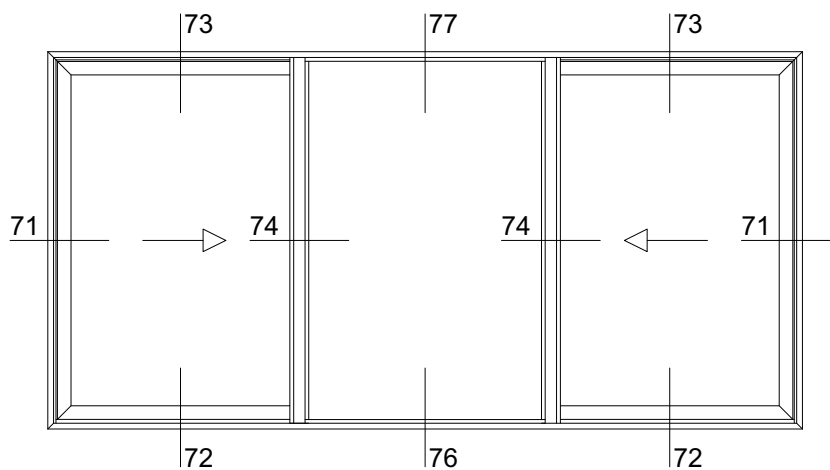
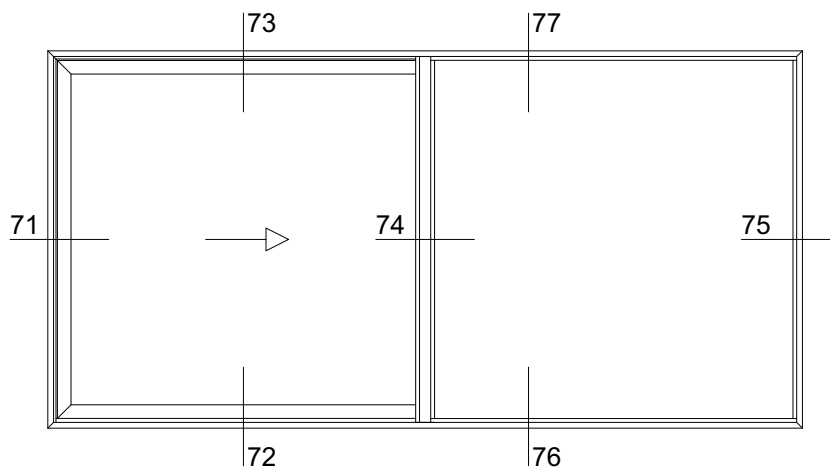
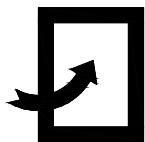


240



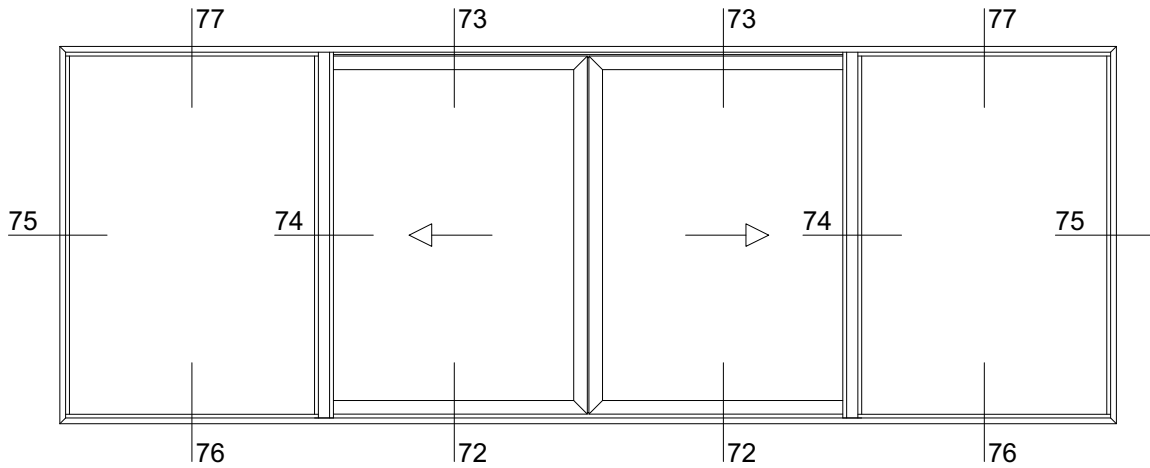
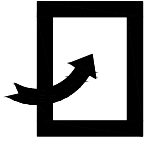
VG500

MONORAIL BUITENBEGLAZING
MONORAIL VITRAGE EXTERIEURE
MONORAIL AUSSENVERGLAZUNG
MONORAIL OUTER GLAZING



TYPE71

MONORAIL BUITENBEGLAZING
MONORAIL VITRAGE EXTERIEURE
MONORAIL AUSSENVERGLAZUNG
MONORAIL OUTER GLAZING



DOORSNEDETEKENINGEN - SECTION DE NOEUDS - PROFILKOMBINATIONEN - SECTION DRAWINGS

TYPE72

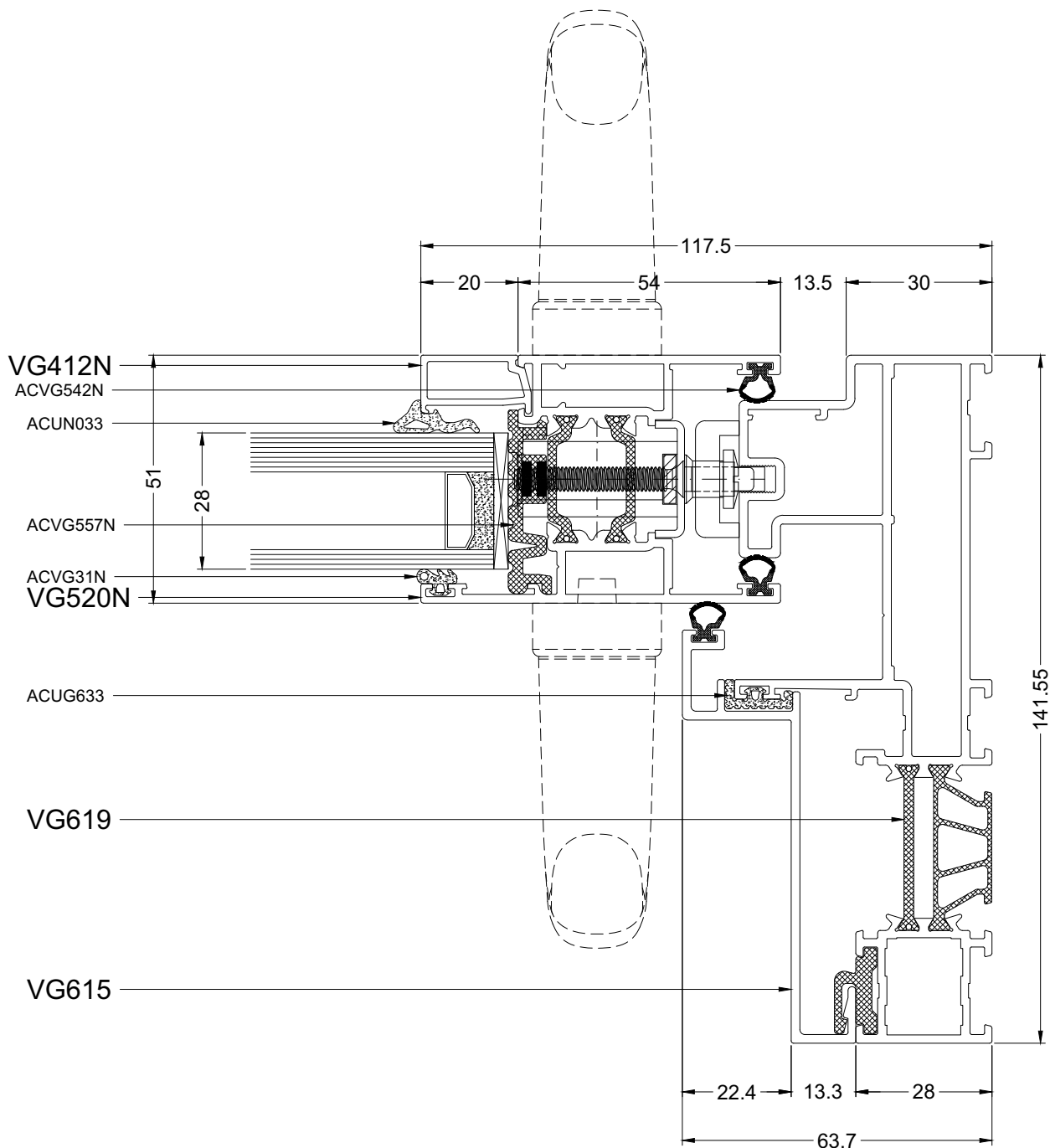
aliplast
member of



VG500

71

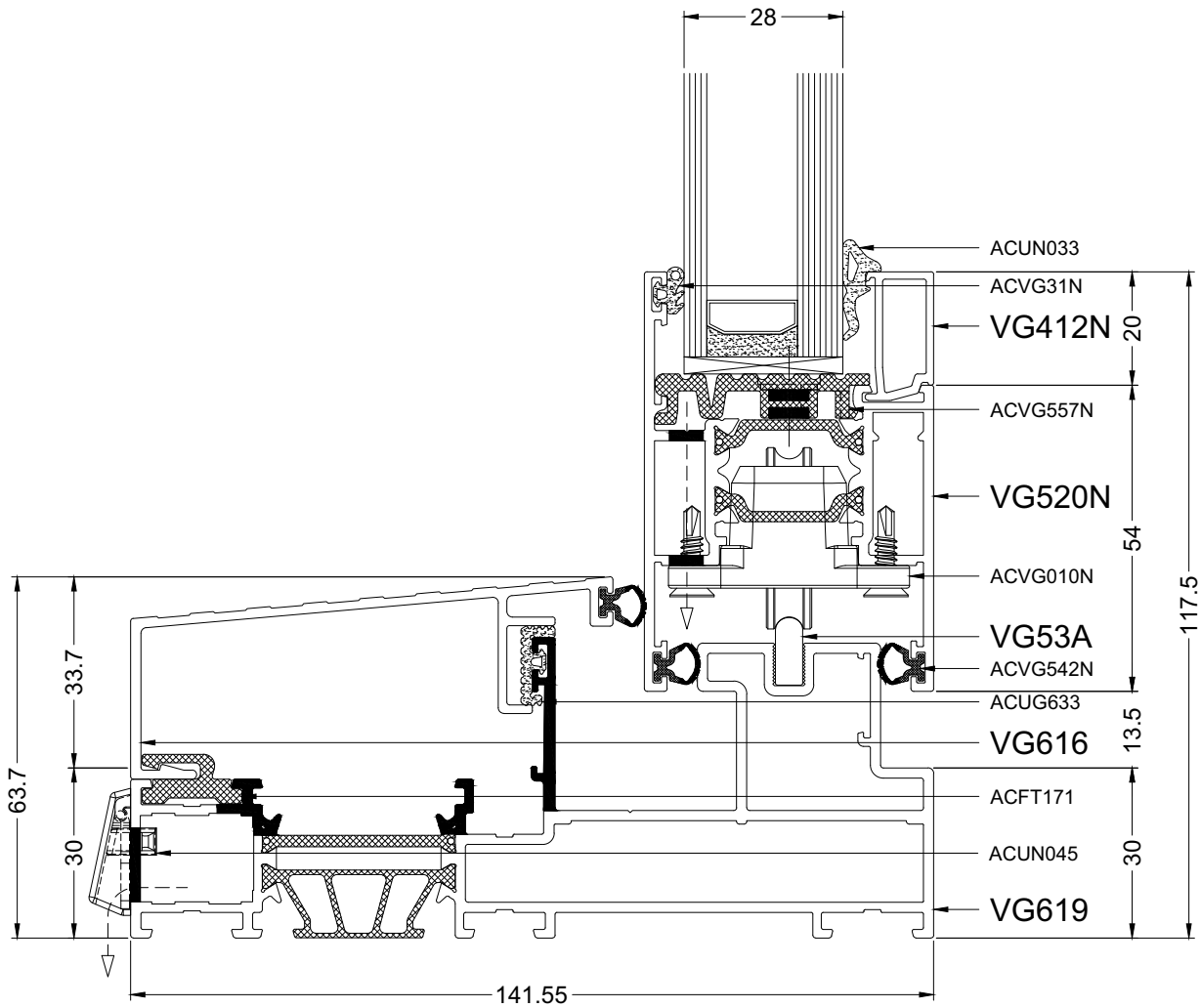
| | | |
|------------|--|-----------------------------|
| OVERZICHT |  | ZIE SZ CATALOGUS |
| APERCU | | VOIR LE CATALOGUE SZ |
| OVERVIEW | | SEE SZ CATALOG |
| UEBERSICHT | | SIEHE SZ KATALOG |



(SIDE)VG619-VG520N(IN)



72A



DOORSNEDETEKENINGEN - SECTION DE NOEUDS - PROFILKOMBINATIONEN - SECTION DRAWINGS

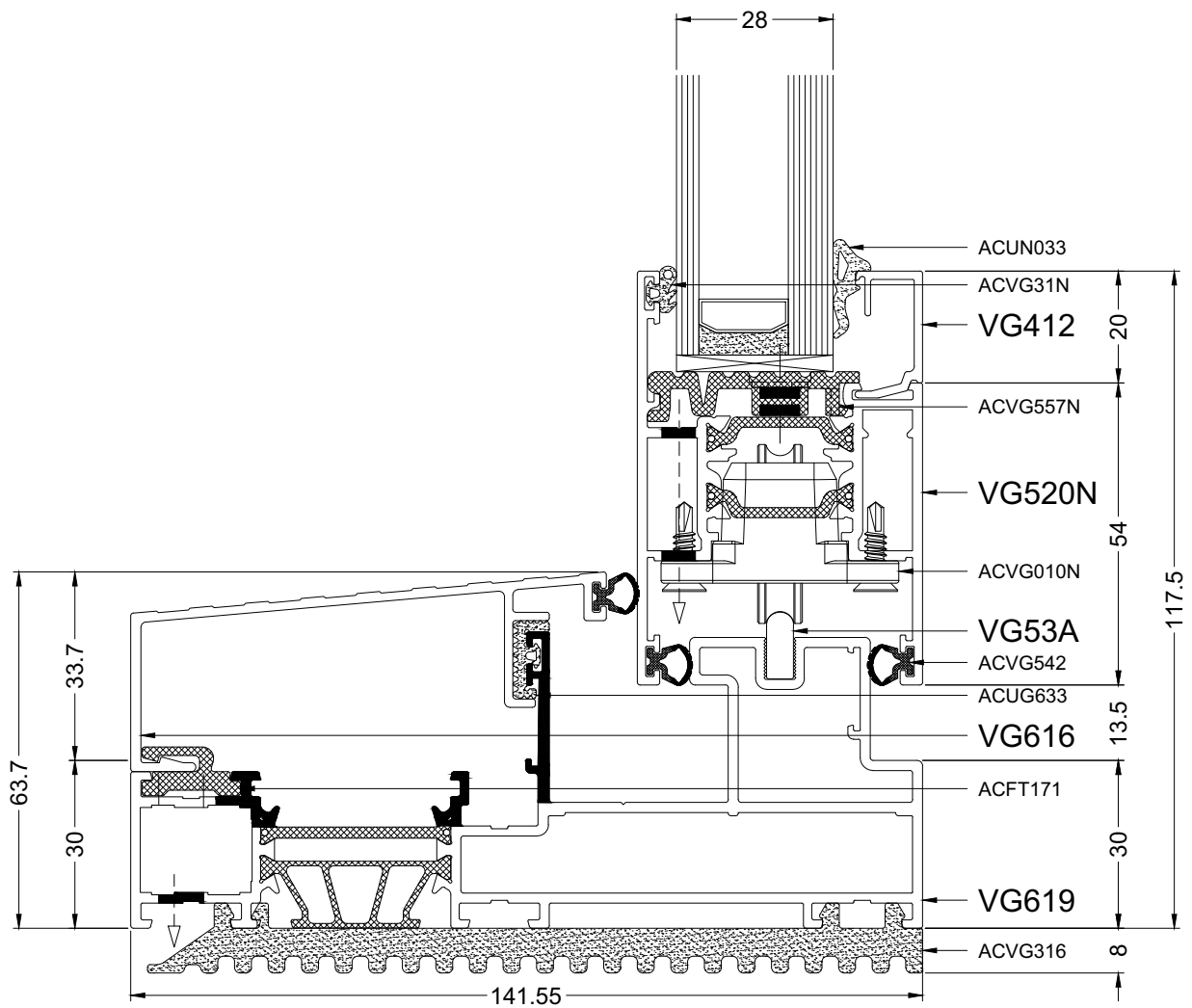
(BOTTOM)VG619-VG520N(OUT)

aliplast
member of



VG500

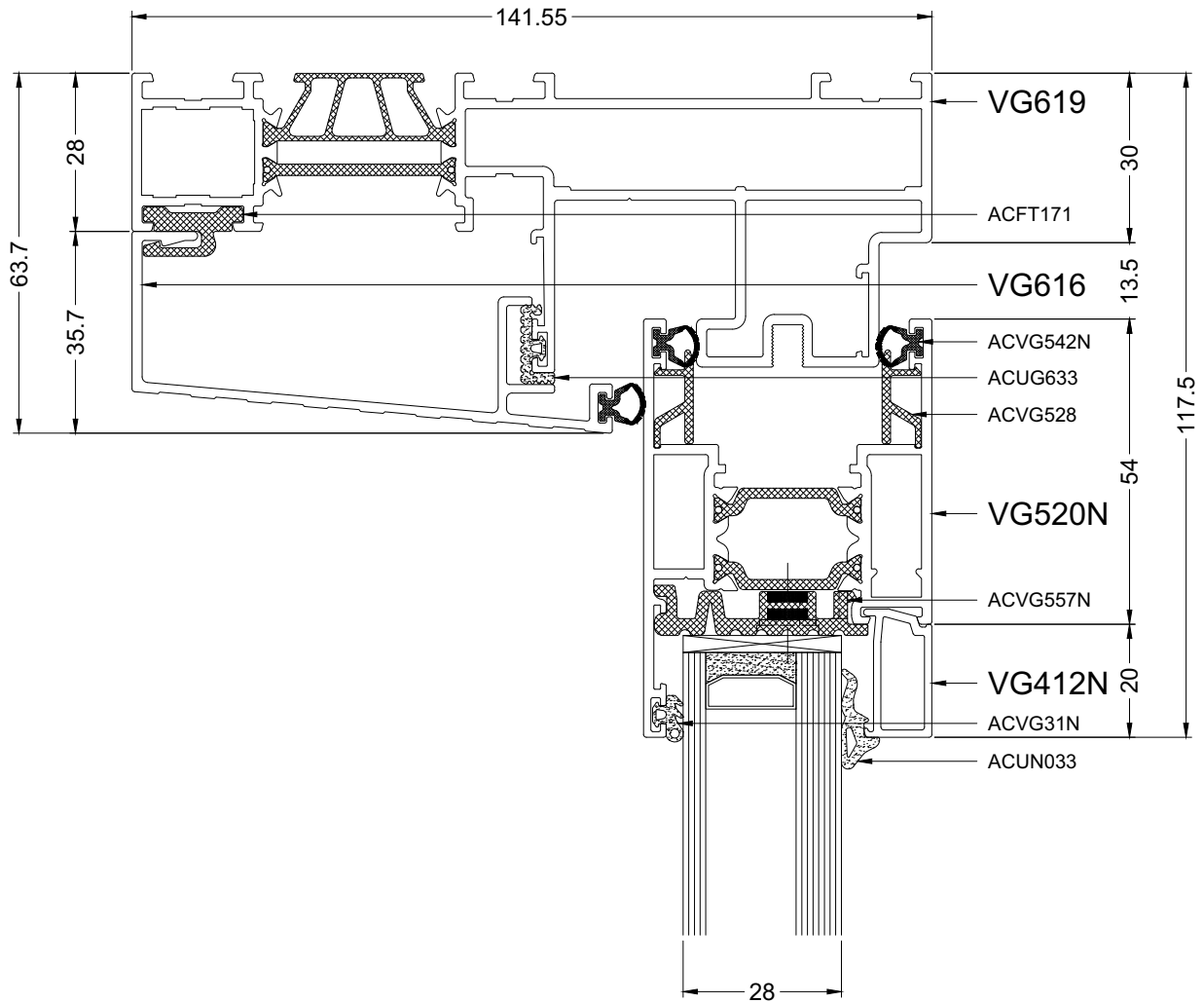
72B



(BOTTOM)VG619-VG520N(OUT)(ACVG316)

246





DOORSNEDETEKENINGEN - SECTION DE NOEUDS - PROFILKOMBINATIONEN - SECTION DRAWINGS



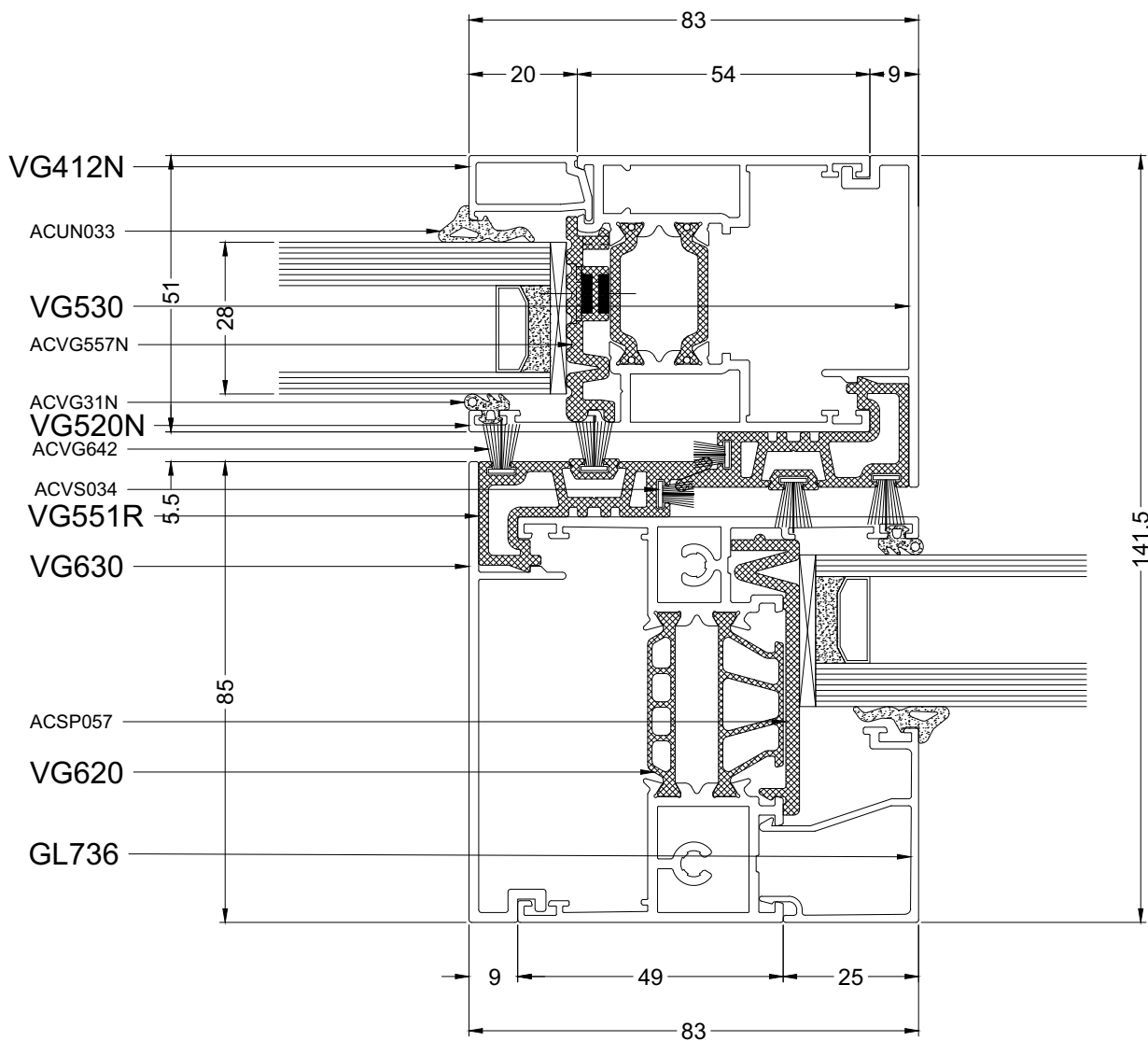
(TOP)VG619-VG520N(IN)

aliplast
member of



VG500

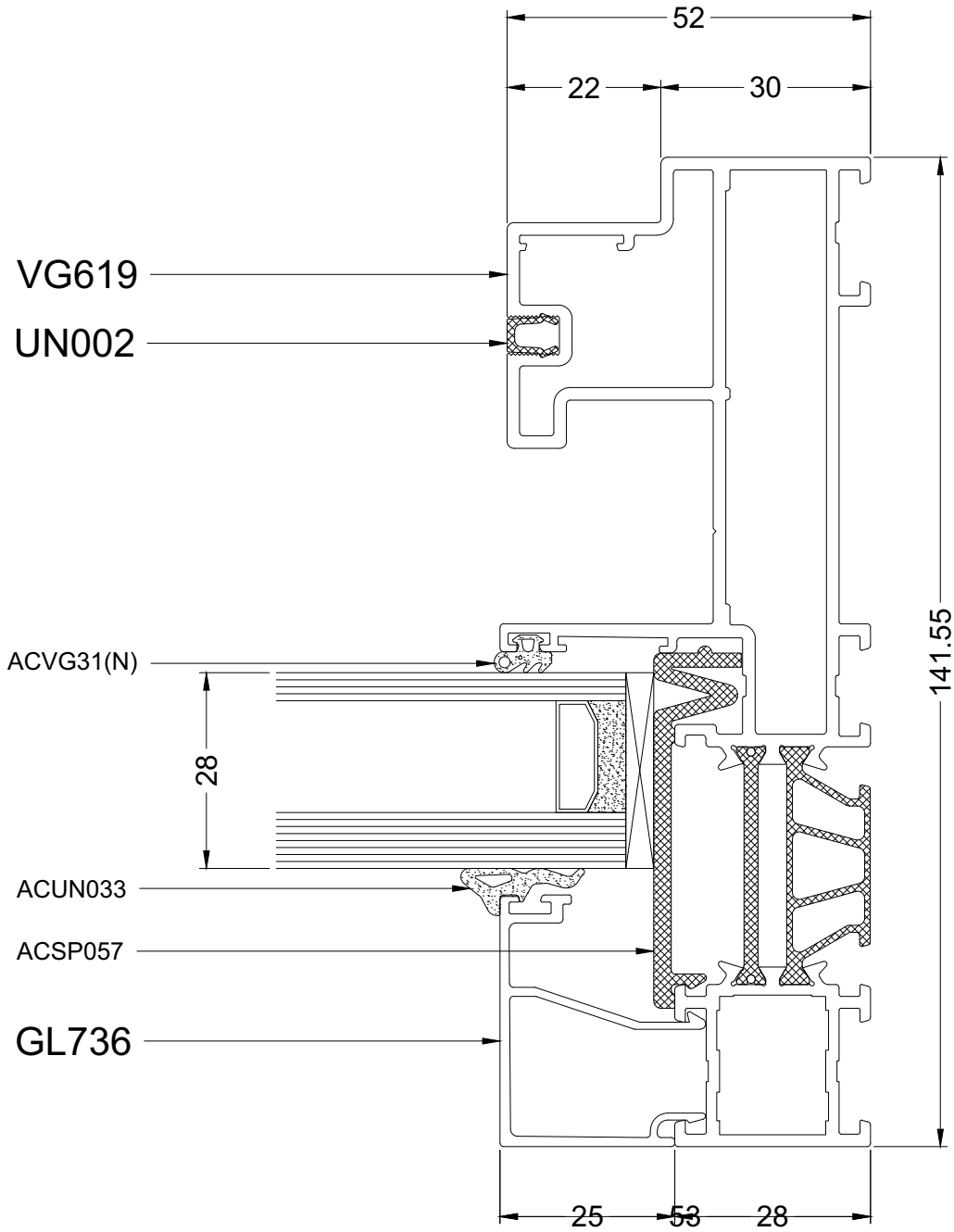
74



VG630-VG620-VG520N-VG530 (BG)



248



DOORSNEDETEKENINGEN - SECTION DE NOEUDS - PROFILKOMBINATIONEN - SECTION DRAWINGS

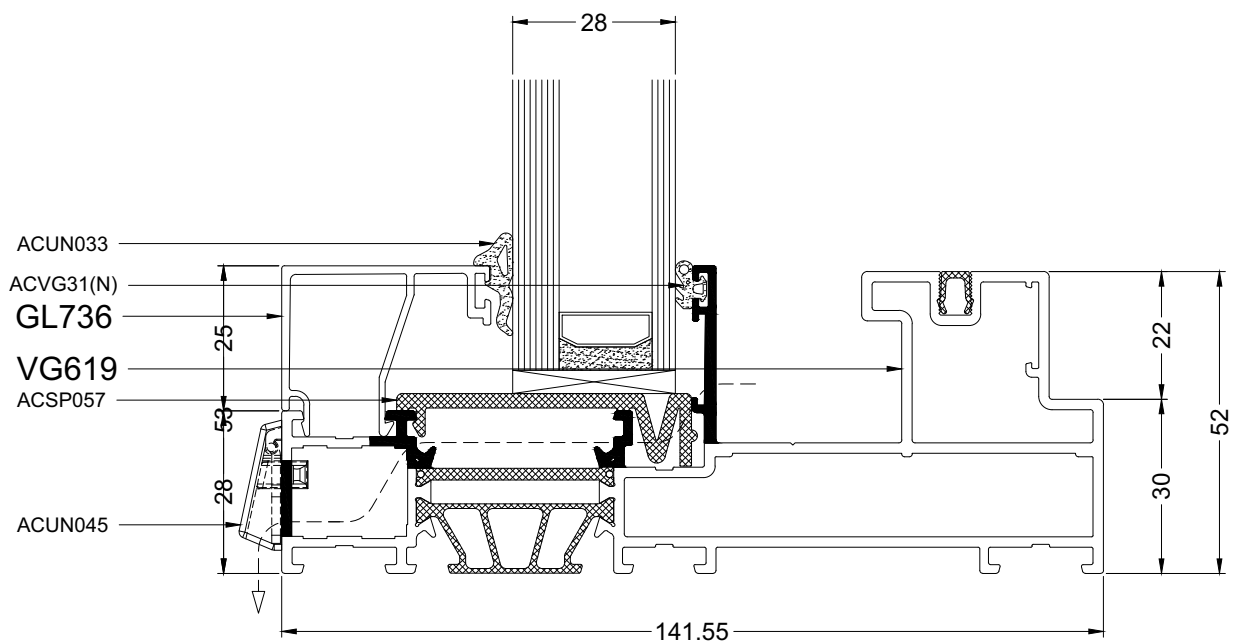
(SIDE)VG619-FIX

aliplast
member of

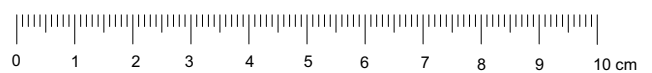


VG500

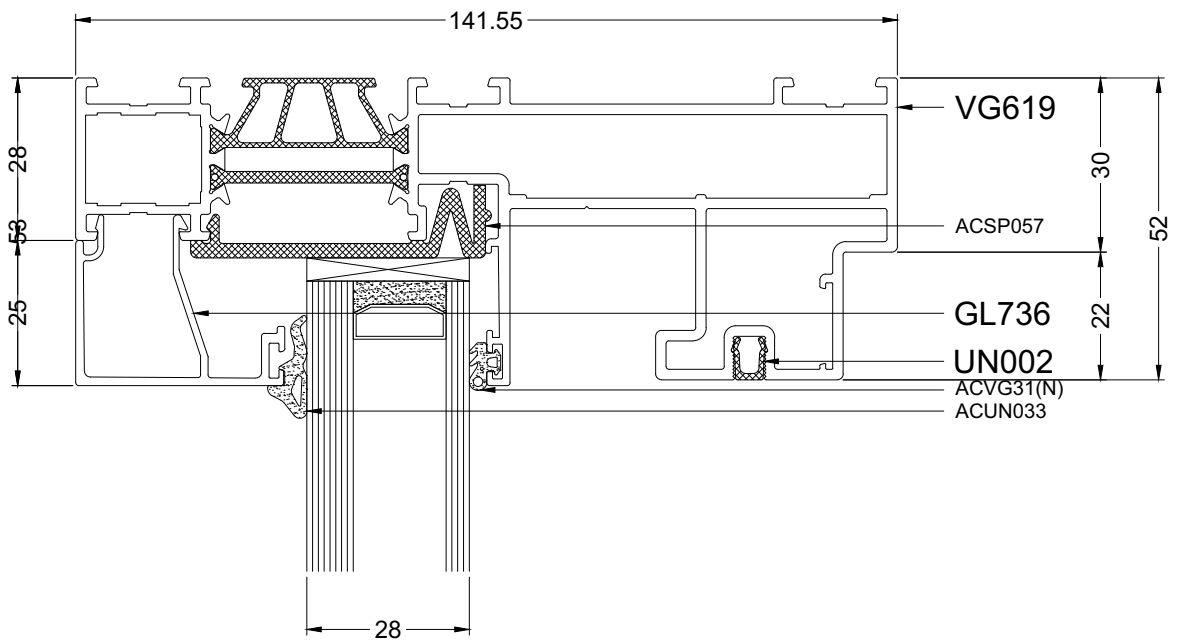
76



(BOTTOM)VG619(OUT)(FIX)



250



DOORSNEDETEKENINGEN - SECTION DE NOEUDS - PROFILKOMBINATIONEN - SECTION DRAWINGS



(TOP)VG619-FIX

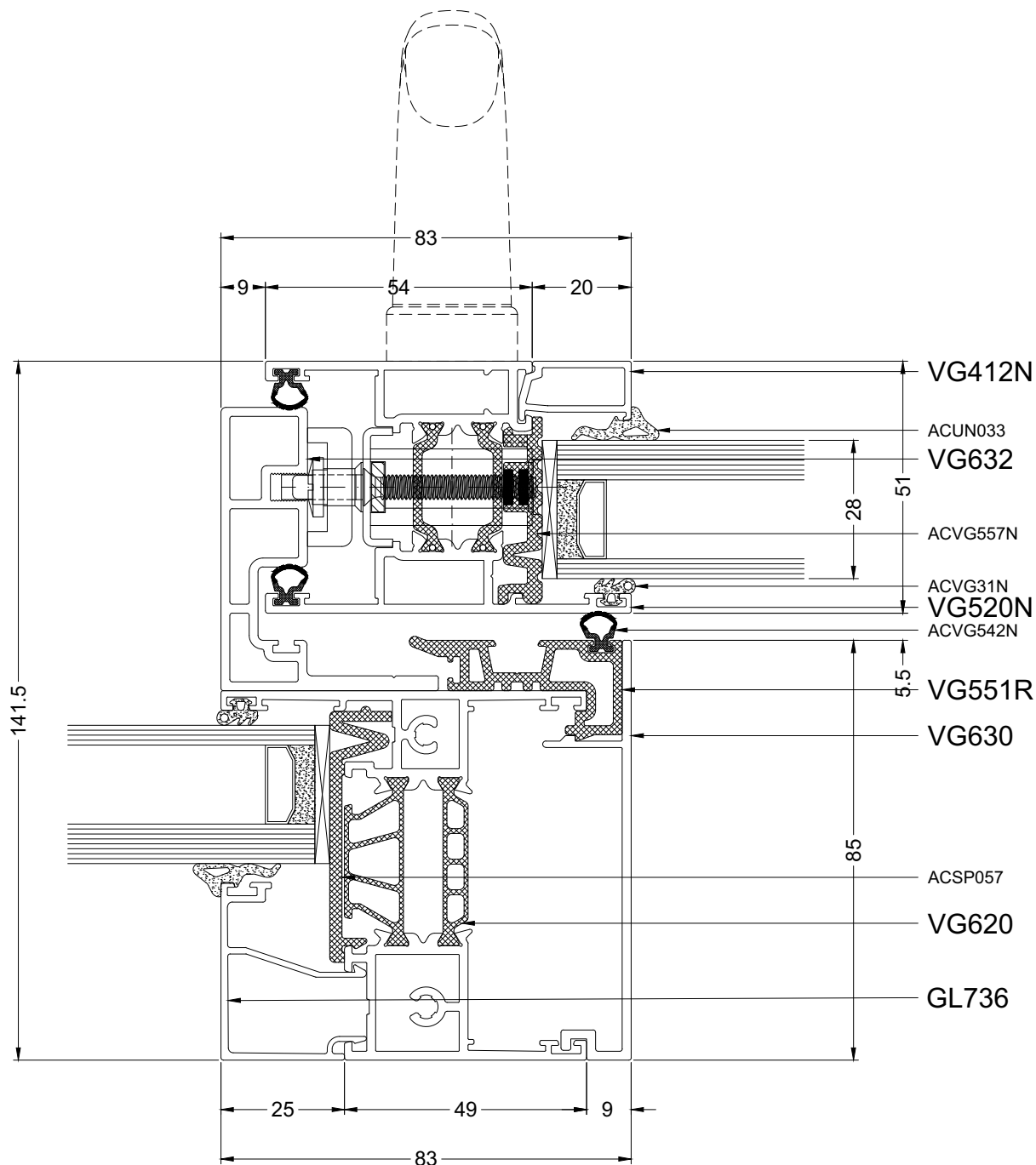
aliplast
member of



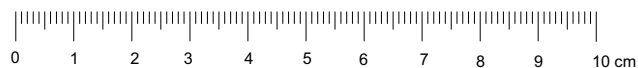
VG500

78

| | | |
|------------|---|-----------------------------|
| OVERZICHT |  | ZIE SZ CATALOGUS |
| APERCU | | VOIR LE CATALOGUE SZ |
| OVERVIEW | | SEE SZ CATALOG |
| UEBERSICHT | | SIEHE SZ KATALOG |
| | | |



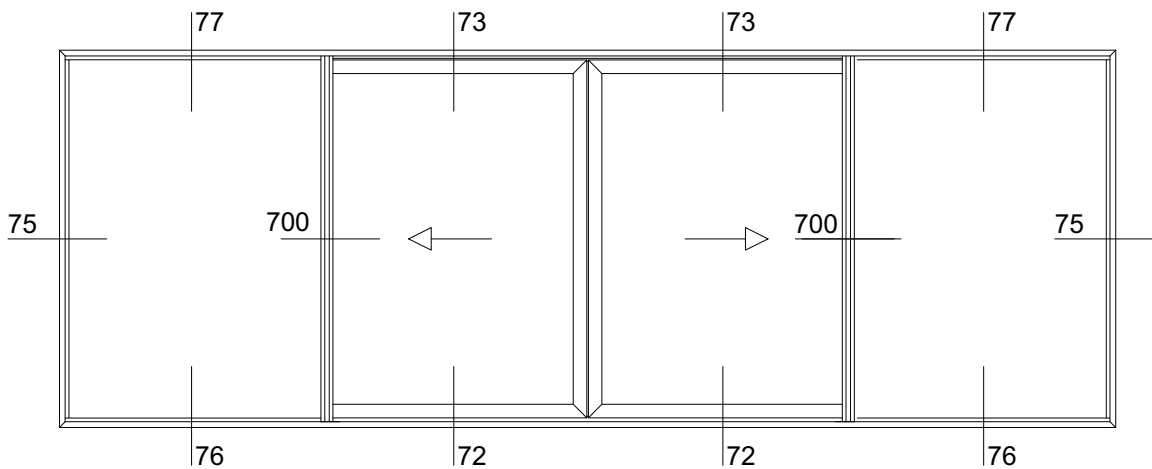
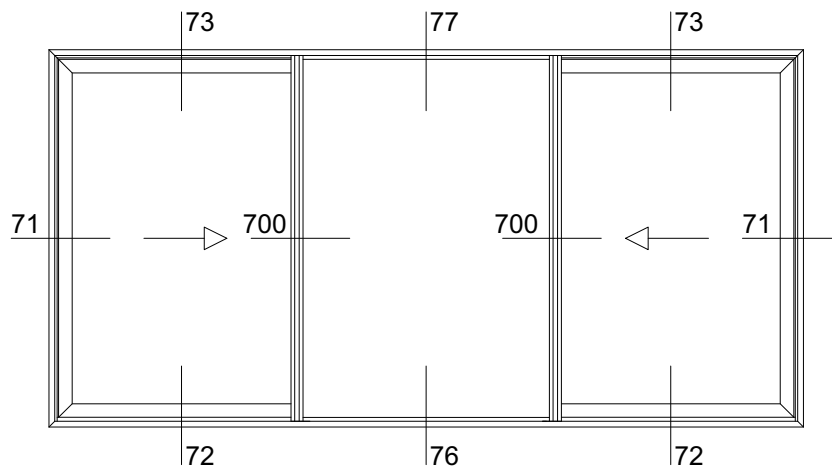
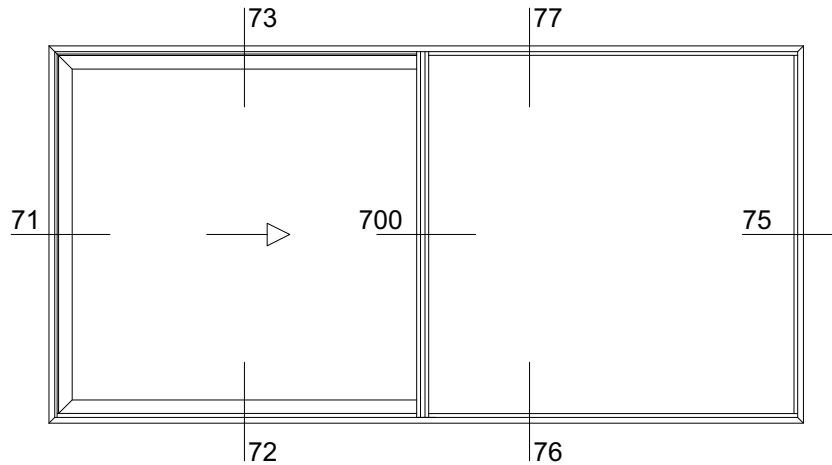
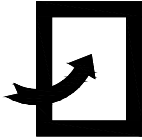
VG620-VG630-VG632(BG)



252

MONORAIL BUITENBEGLAZING
MONORAIL VITRAGE EXTERIEURE
MONORAIL AUSSENVERGLAZUNG
MONORAIL OUTER GLAZING

MaxLight



DOORSNEDETEKENINGEN - SECTION DE NOEUDS - PROFILKOMBINATIONEN - SECTION DRAWINGS

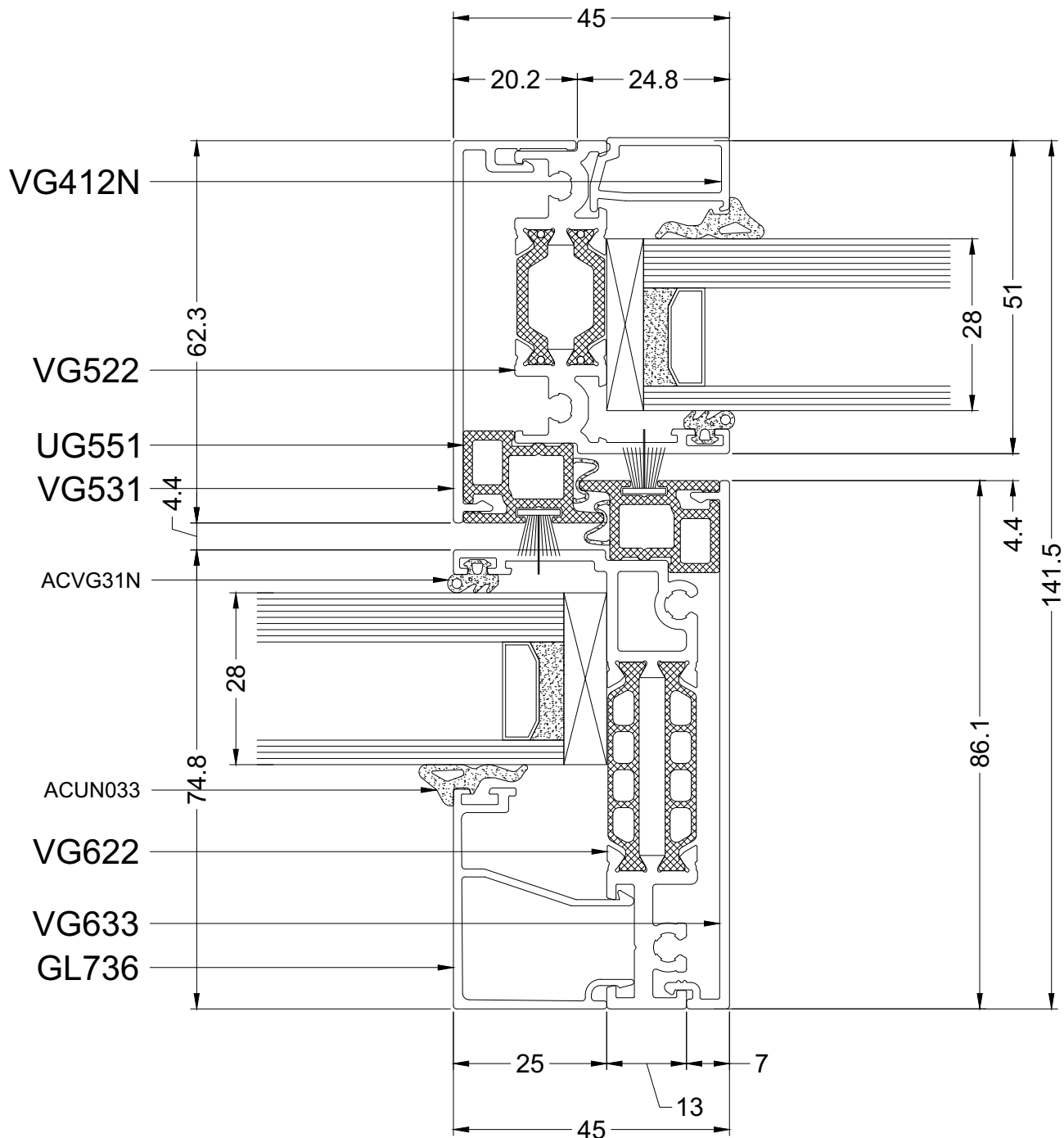
TYPE71 - SLIM

aliplast
member of



VG500

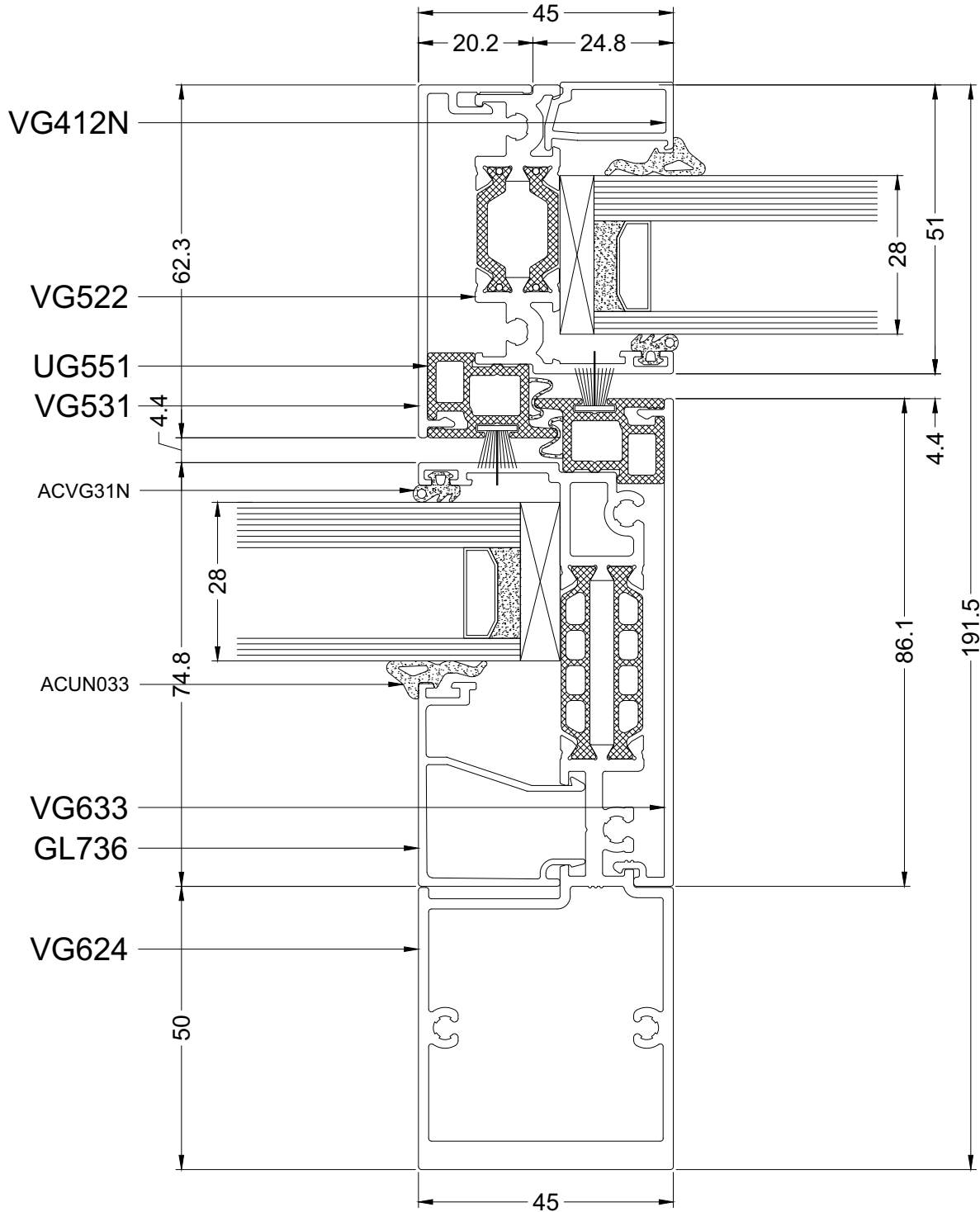
700



VG622-VG522

254

700



DOORSNEDETEKENINGEN - SECTION DE NOEUDS - PROFILKOMBINATIONEN - SECTION DRAWINGS

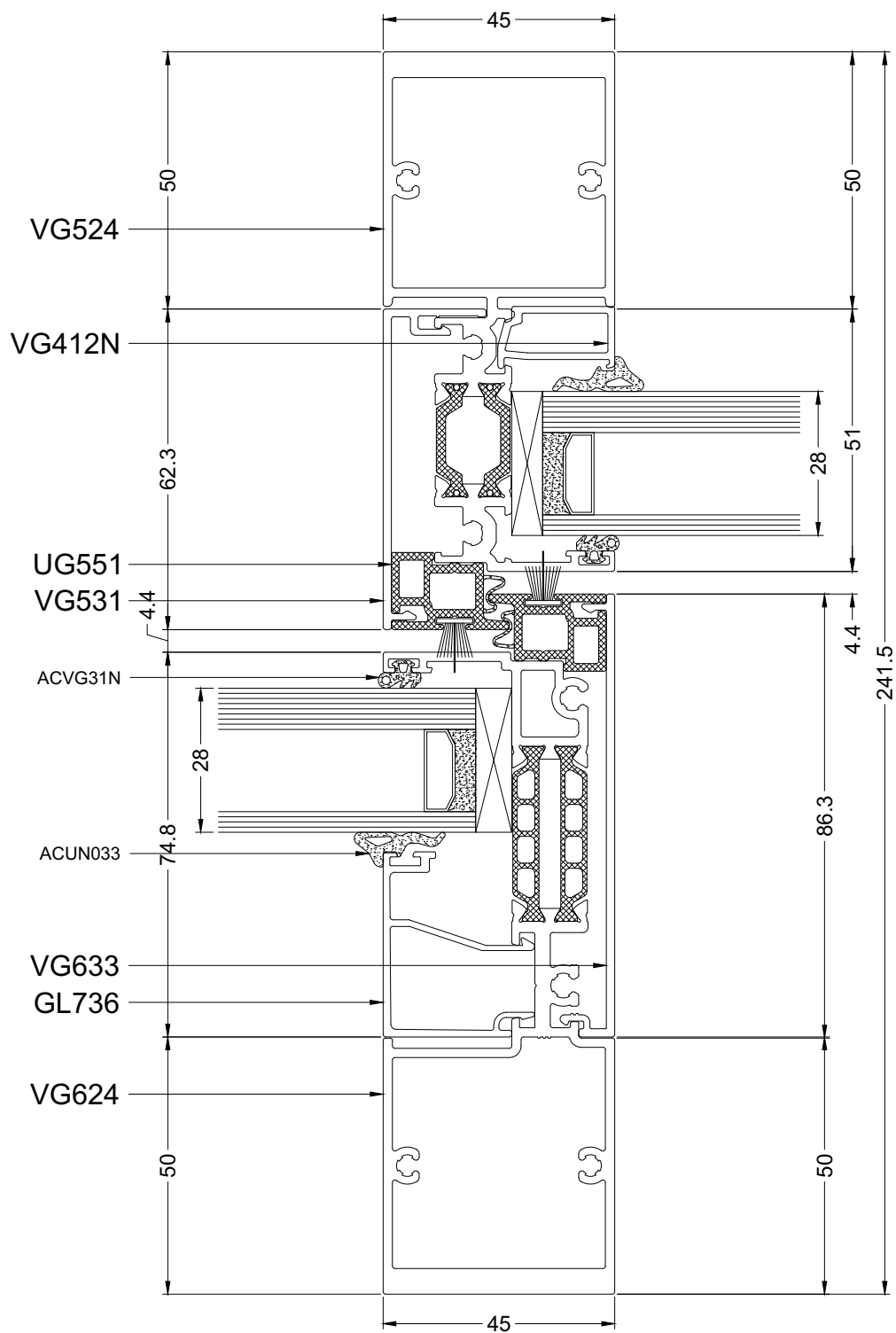
VG624-VG522

aliplast
member of

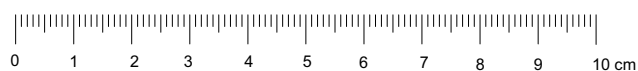


VG500

700

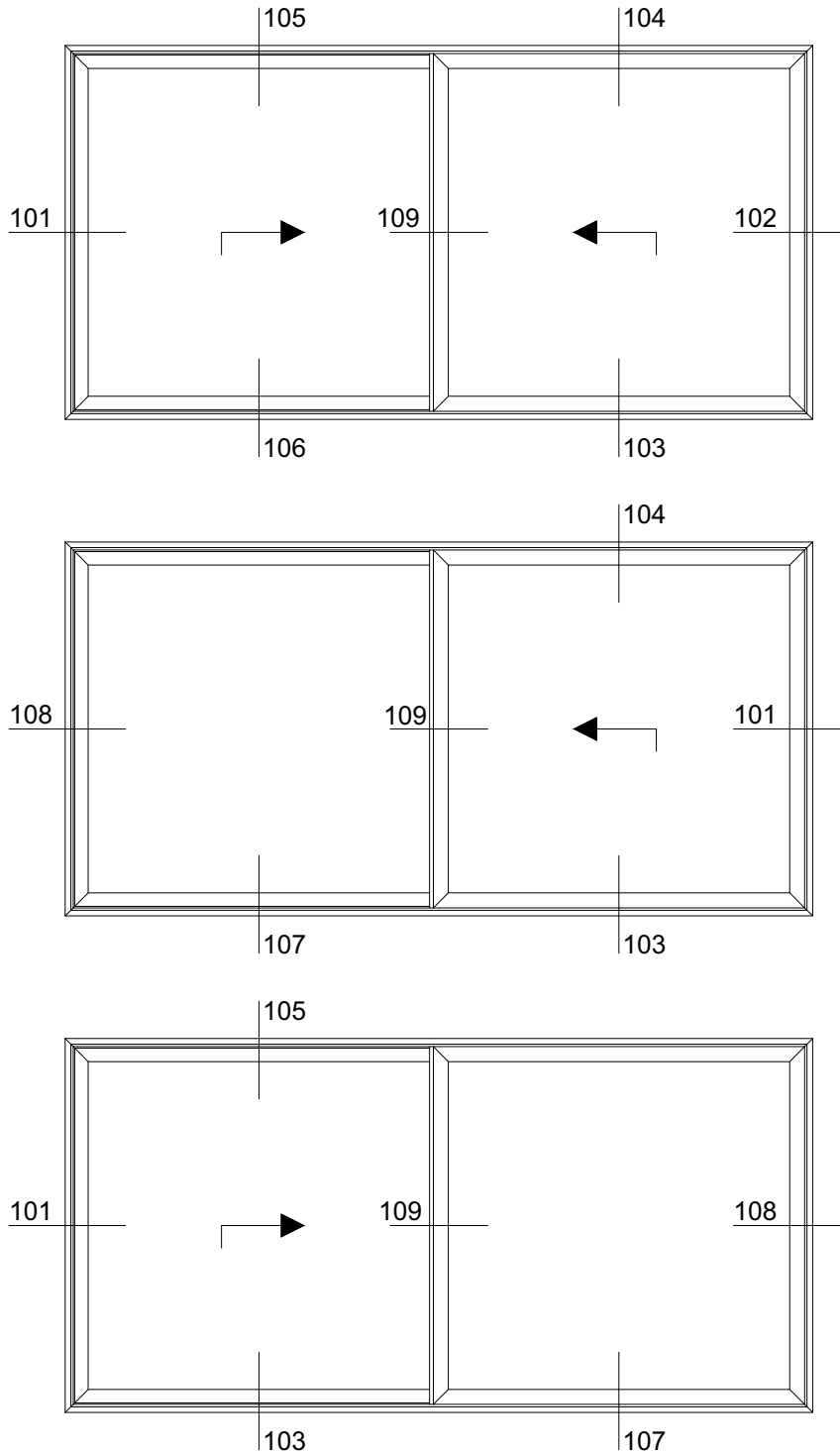


VG624-VG524



256

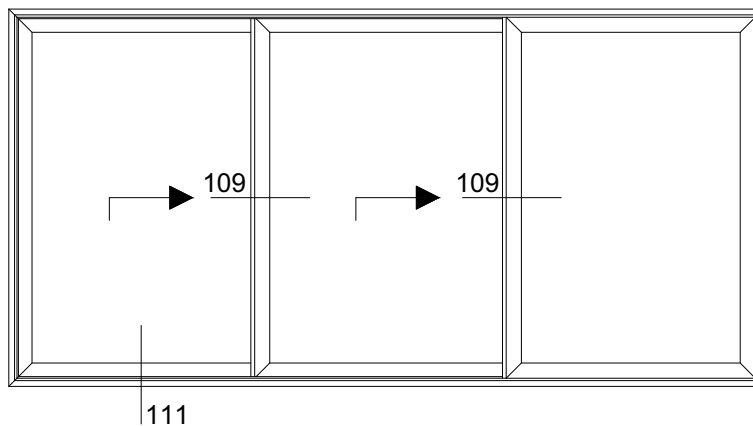
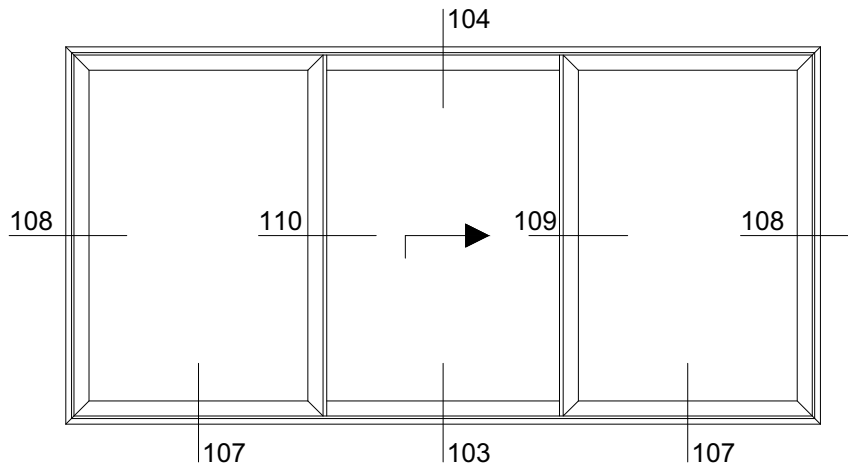
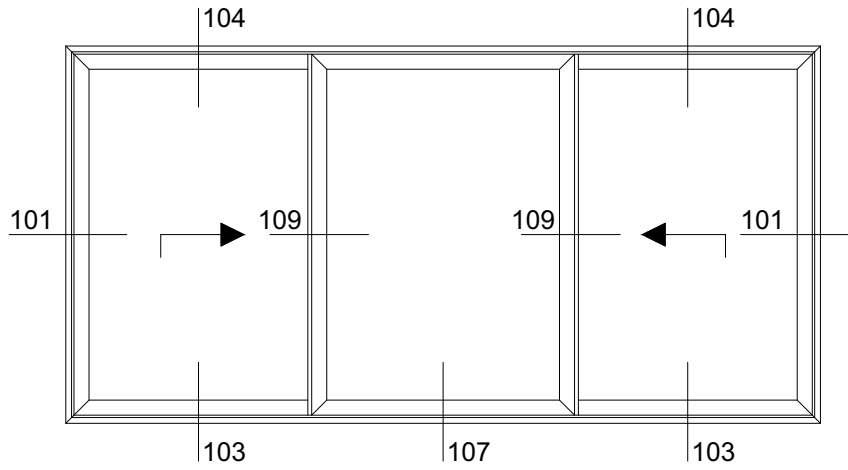
HEFSCHUIF DEUR/ SOULEVEZ-COUILISSANT HEBESCHIEBETUER / LIFT AND SLIDING DOOR




DOORSNEDETEKENINGEN - SECTION DE NOEUDS - PROFILKOMBINATIONEN - SECTION DRAWINGS

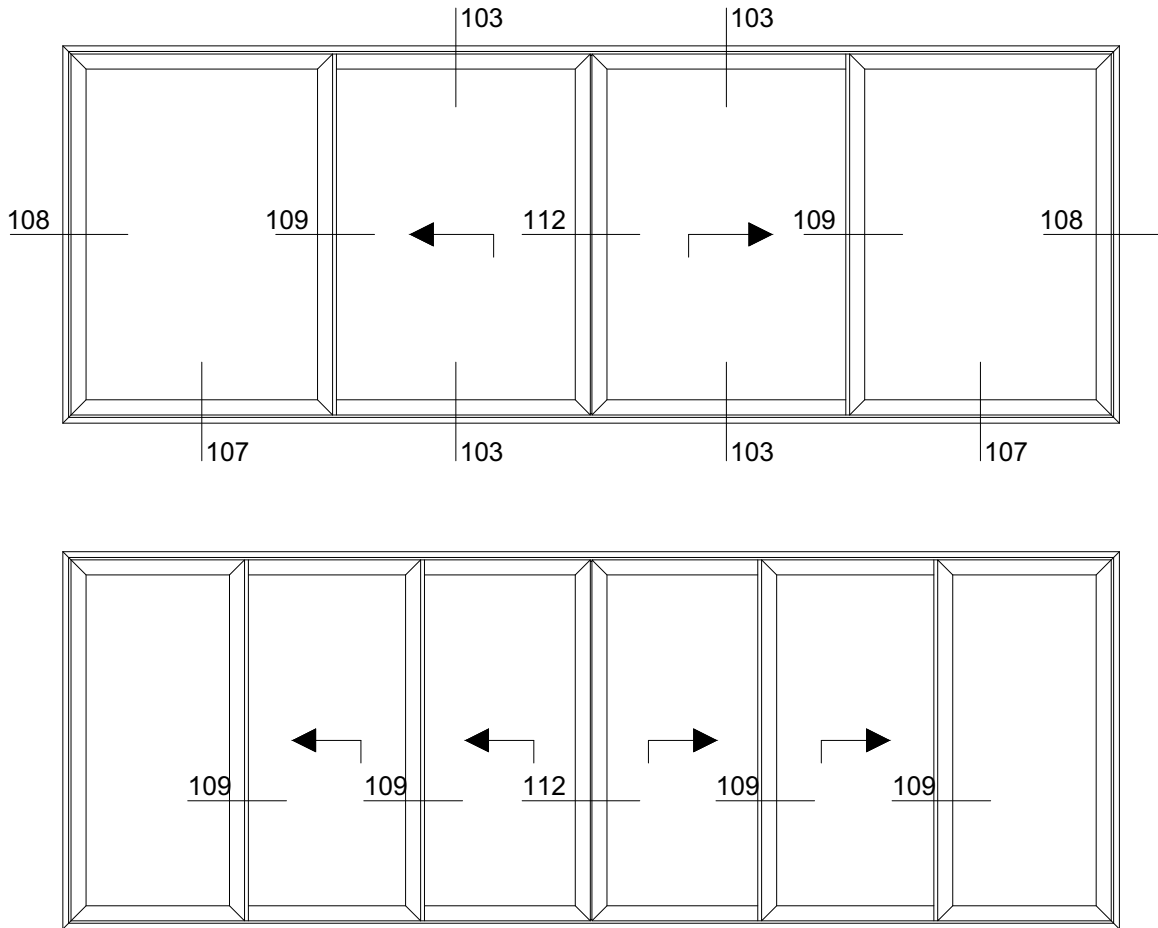
TYPE101

VG500



| | |
|---|--------------------------------------|
|  | 3-RAIL + VG5121/VG5221 NIET MOGELIJK |
| | 3-RAIL + VG5121/VG5221 PAS POSSIBLE |
| | 3-RAIL + VG5121/VG5221 NICHT MOGLICH |
| | 3-RAIL + VG5121/VG5221 NOT POSSIBLE |

TYPE102



TYPE103

aliplast
member of



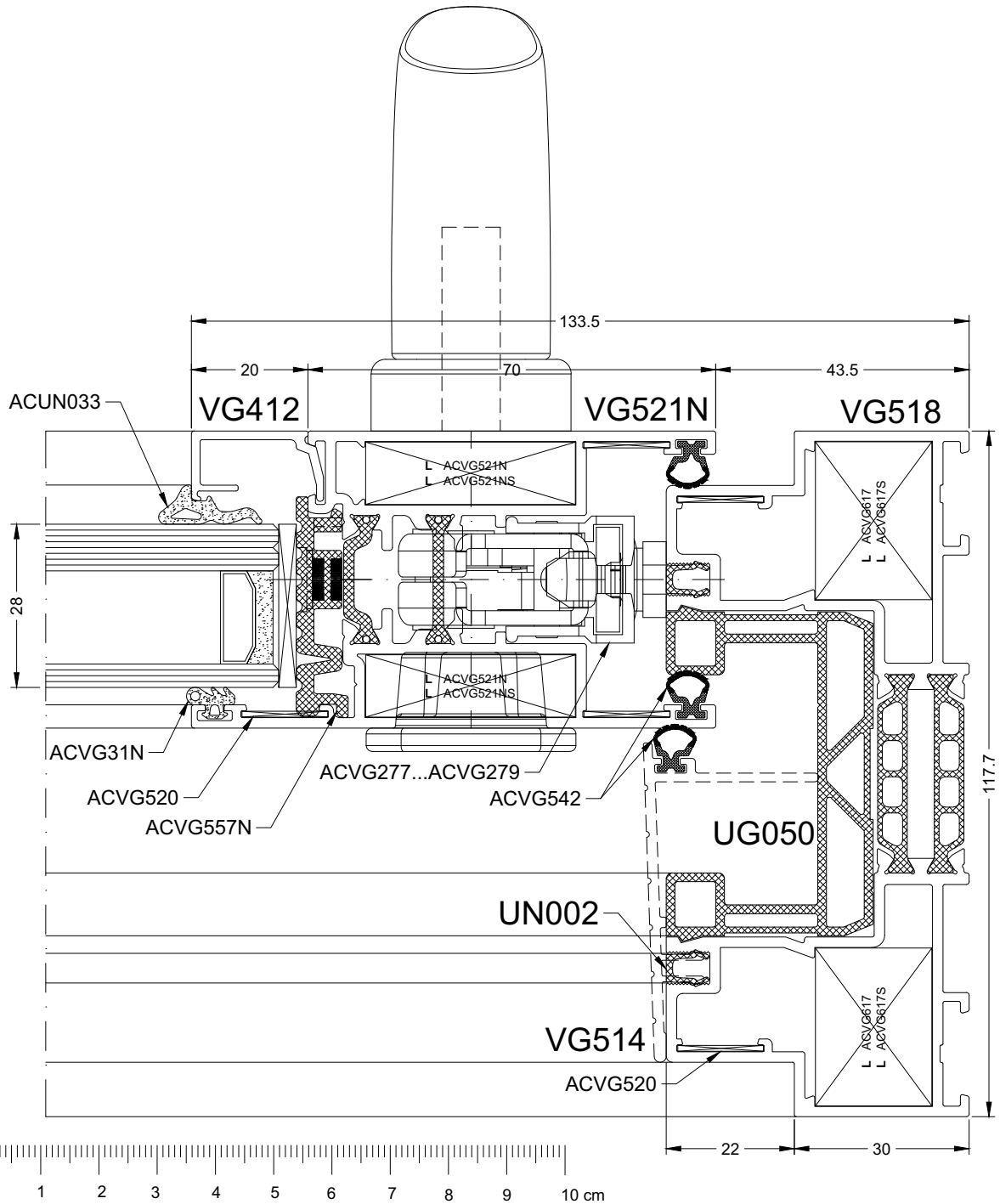
VG500

101

OVERZICHT
 APERCU
 OVERVIEW
 UEBERSICHT



ZIE **SZ** CATALOGUS
 VOIR LE CATALOGUE **SZ**
 SEE **SZ** CATALOG
 SIEHE **SZ** KATALOG

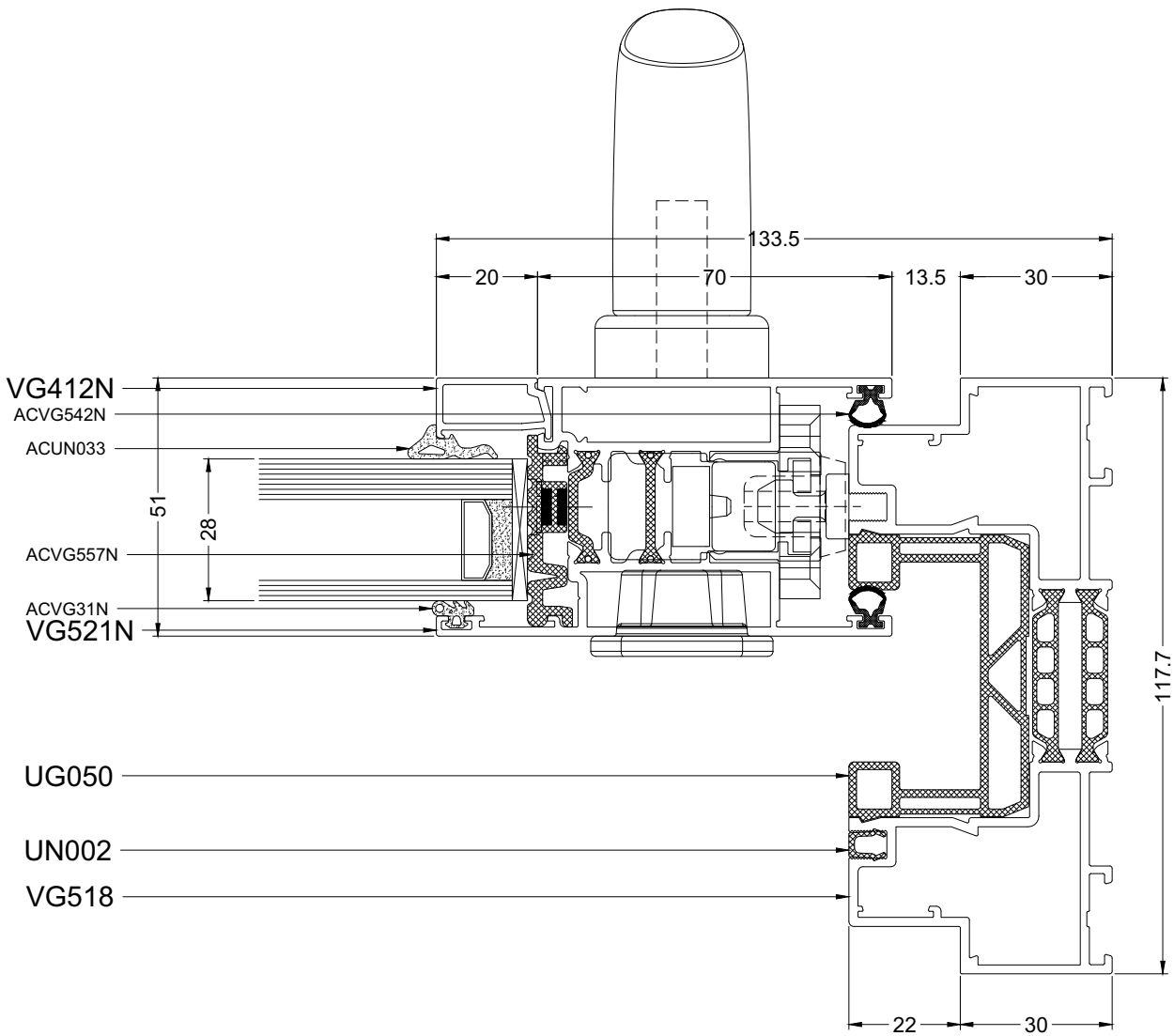


(SIDE)VG518-VG521N(IN)(LS)

260

101 (HS)

| | | |
|------------|---|----------------------|
| OVERZICHT |  | ZIE SZ CATALOGUS |
| APERCU | | VOIR LE CATALOGUE SZ |
| OVERVIEW | | SEE SZ CATALOG |
| UEBERSICHT | | SIEHE SZ KATALOG |



DOORSNEDETEKENINGEN - SECTION DE NOEUDS - PROFILKOMBINATIONEN - SECTION DRAWINGS


(SIDE)VG518-VG521N(IN)(LS) - (HS)

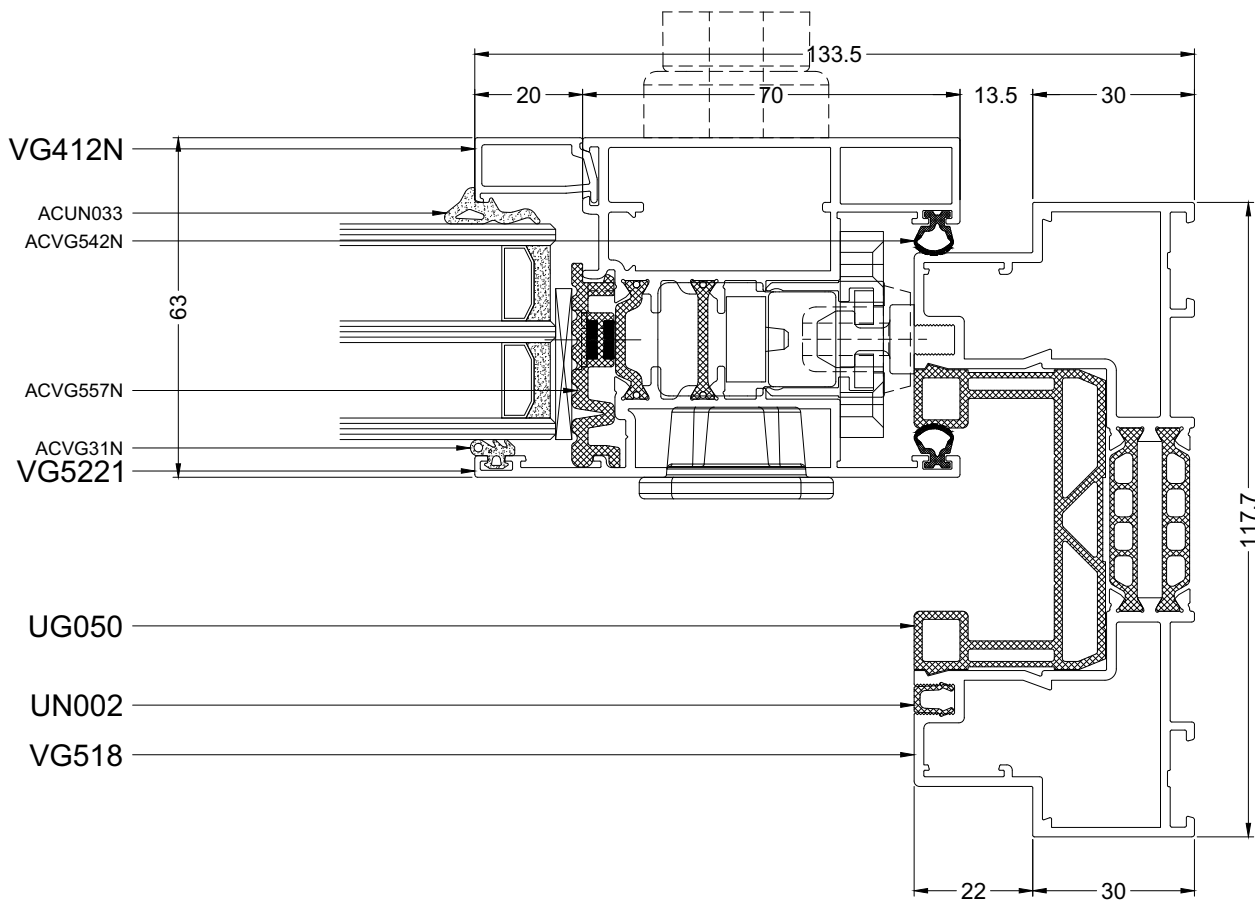
aliplast
member of



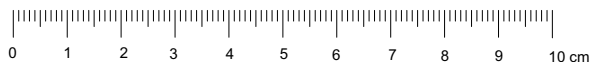
VG500

101 (HS)

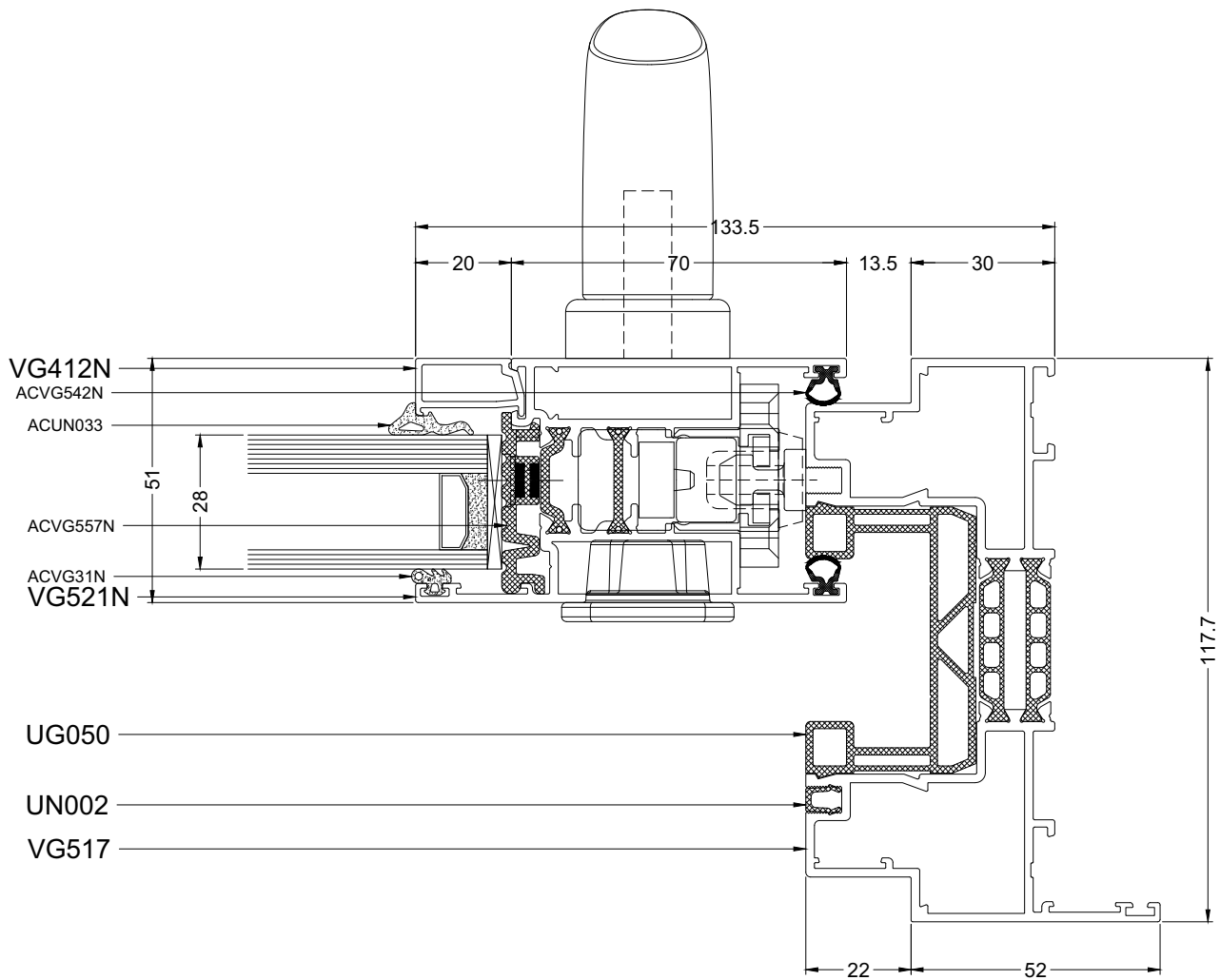
| | | |
|------------|---|-----------------------------|
| OVERZICHT |  | ZIE SZ CATALOGUS |
| APERCU | | VOIR LE CATALOGUE SZ |
| OVERVIEW | | SEE SZ CATALOG |
| UEBERSICHT | | SIEHE SZ KATALOG |



(SIDE)VG518-VG5221N(IN)(LS) - (HS)



| | | |
|------------|---|----------------------|
| OVERZICHT |  | ZIE SZ CATALOGUS |
| APERCU | | VOIR LE CATALOGUE SZ |
| OVERVIEW | | SEE SZ CATALOG |
| UEBERSICHT | | SIEHE SZ KATALOG |



DOORSNEDETEKENINGEN - SECTION DE NOEUDS - PROFILKOMBINATIONEN - SECTION DRAWINGS

(SIDE)VG517-VG521N(IN)(LS) (HS)

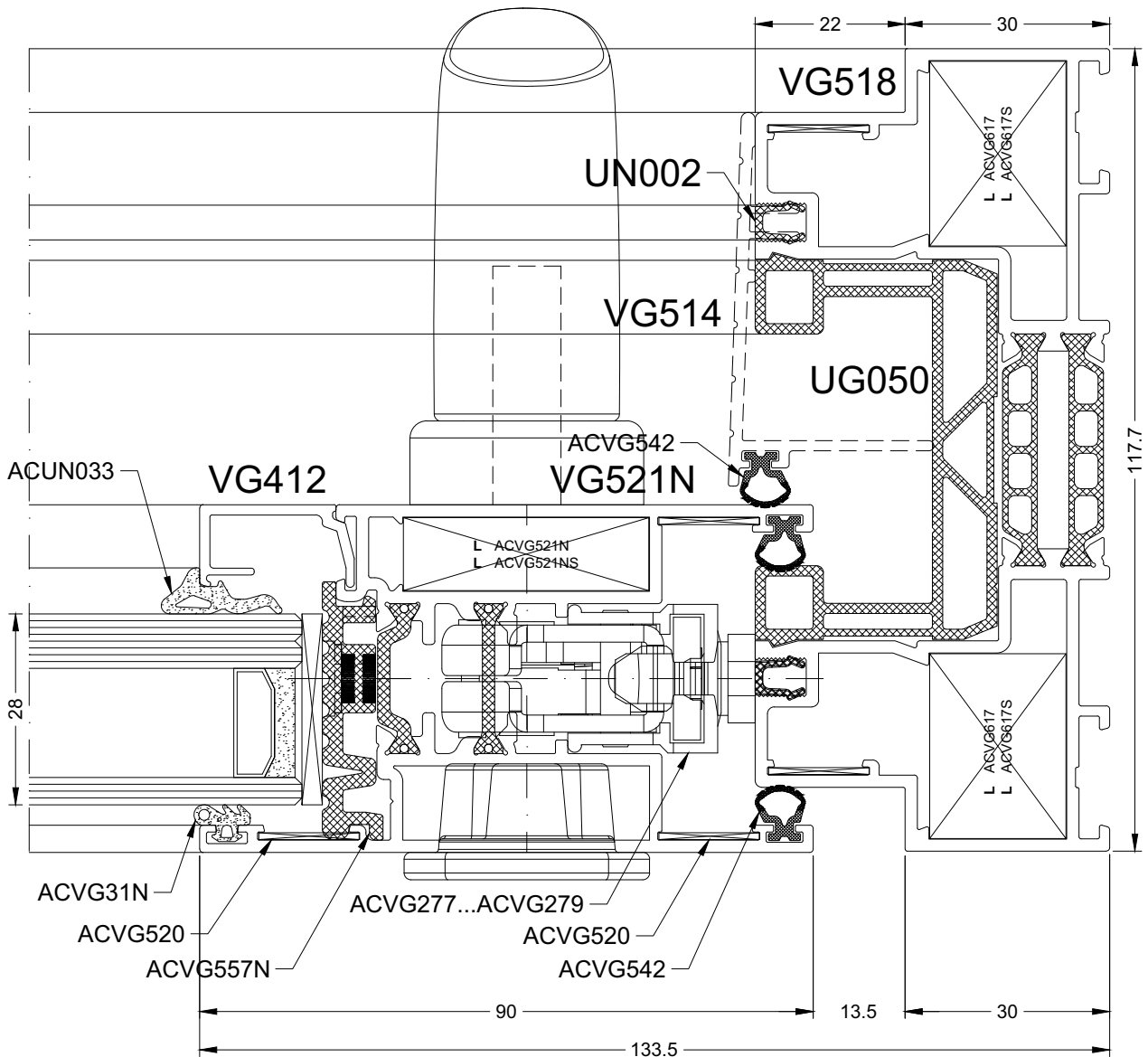
aliplast
member of



VG500

102


| | | |
|------------|---|-----------------------------|
| OVERZICHT |  | ZIE SZ CATALOGUS |
| APERCU | | VOIR LE CATALOGUE SZ |
| OVERVIEW | | SEE SZ CATALOG |
| UEBERSICHT | | SIEHE SZ KATALOG |

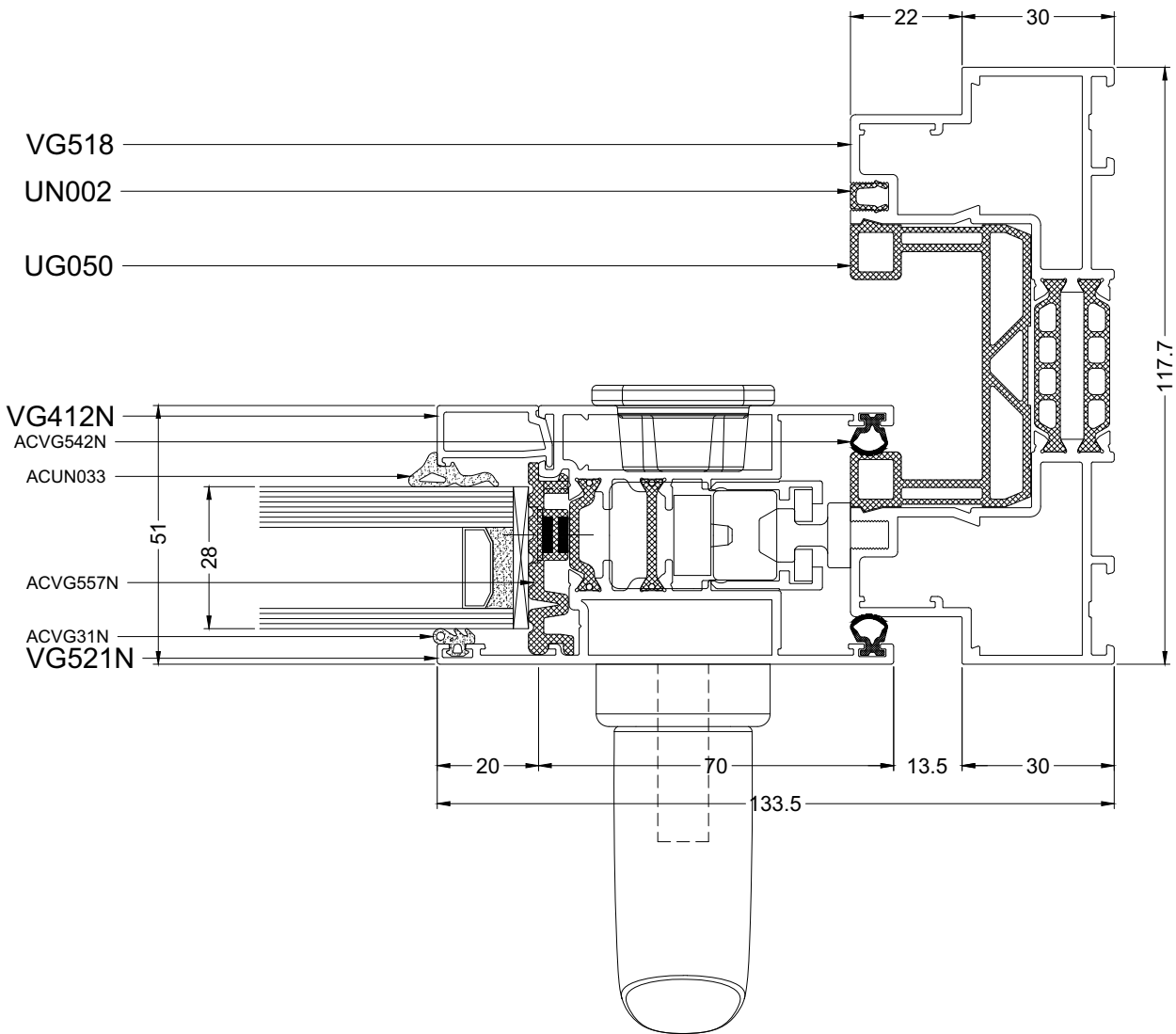


(SIDE)VG518-VG521N(OUT)(LS)

264

102A (HS)

| | | |
|------------|---|-----------------------------|
| OVERZICHT |  | ZIE SZ CATALOGUS |
| APERCU | | VOIR LE CATALOGUE SZ |
| OVERVIEW | | SEE SZ CATALOG |
| UEBERSICHT | | SIEHE SZ KATALOG |



DOORSNEDETEKENINGEN - SECTION DE NOEUDS - PROFILKOMBINATIONEN - SECTION DRAWINGS

(SIDE)VG518-VG521N(OUT)(LS) (HS)

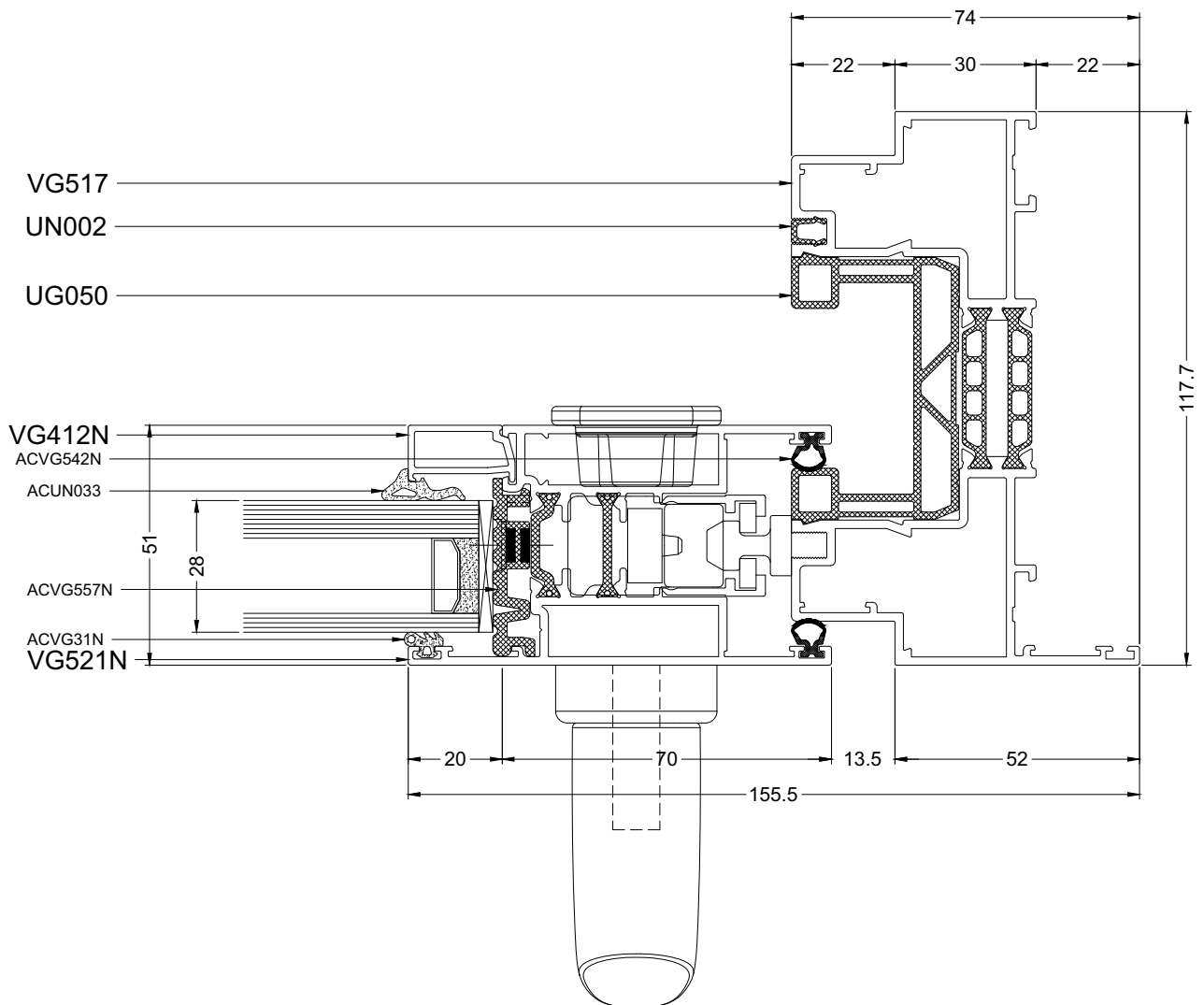
aliplast
member of



VG500

102B(HS)

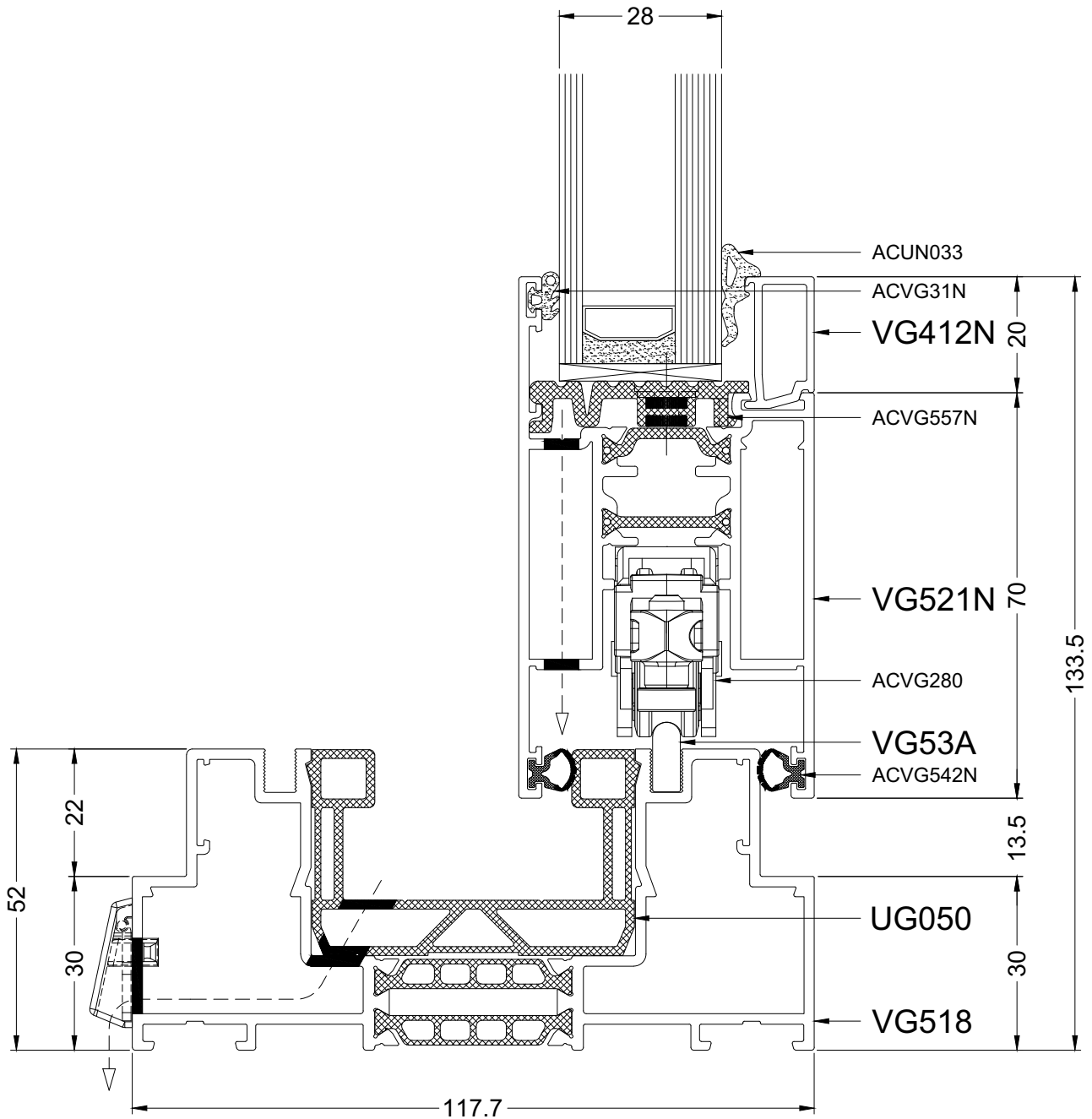
| | | |
|------------|---|-----------------------------|
| OVERZICHT |  | ZIE SZ CATALOGUS |
| APERCU | | VOIR LE CATALOGUE SZ |
| OVERVIEW | | SEE SZ CATALOG |
| UEBERSICHT | | SIEHE SZ KATALOG |



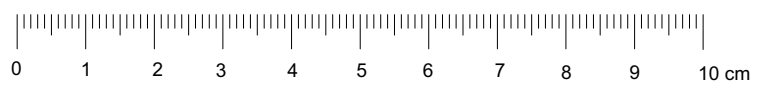
(SIDE)VG517-VG521N(OUT)(LS) (HS)



103A



DOORSNEDETEKENINGEN - SECTION DE NOEUDS - PROFILKOMBINATIONEN - SECTION DRAWINGS



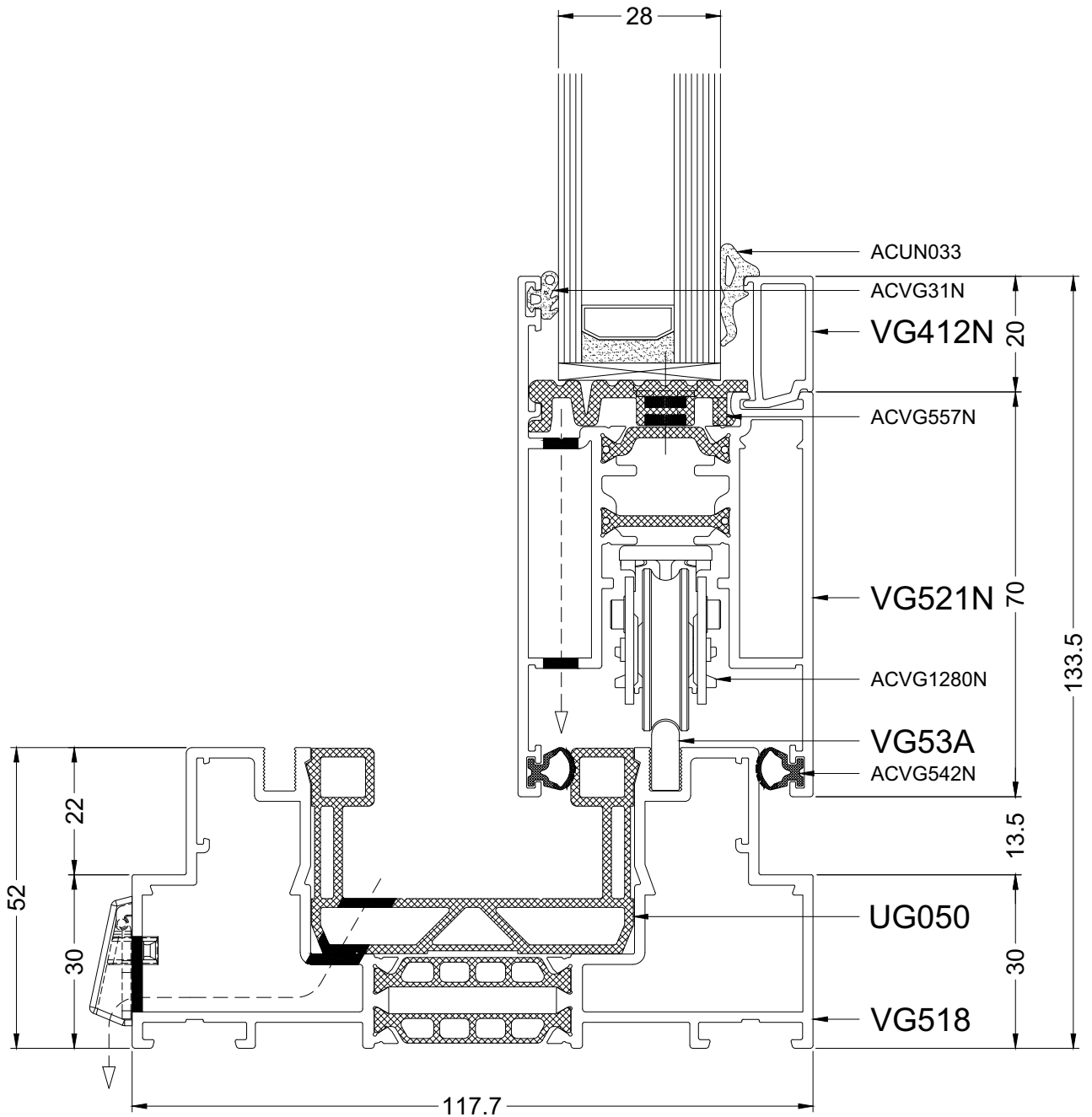
(BOTTOM)VG518-VG521N(IN)(LS)

aliplast
member of

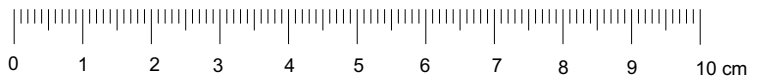


VG500

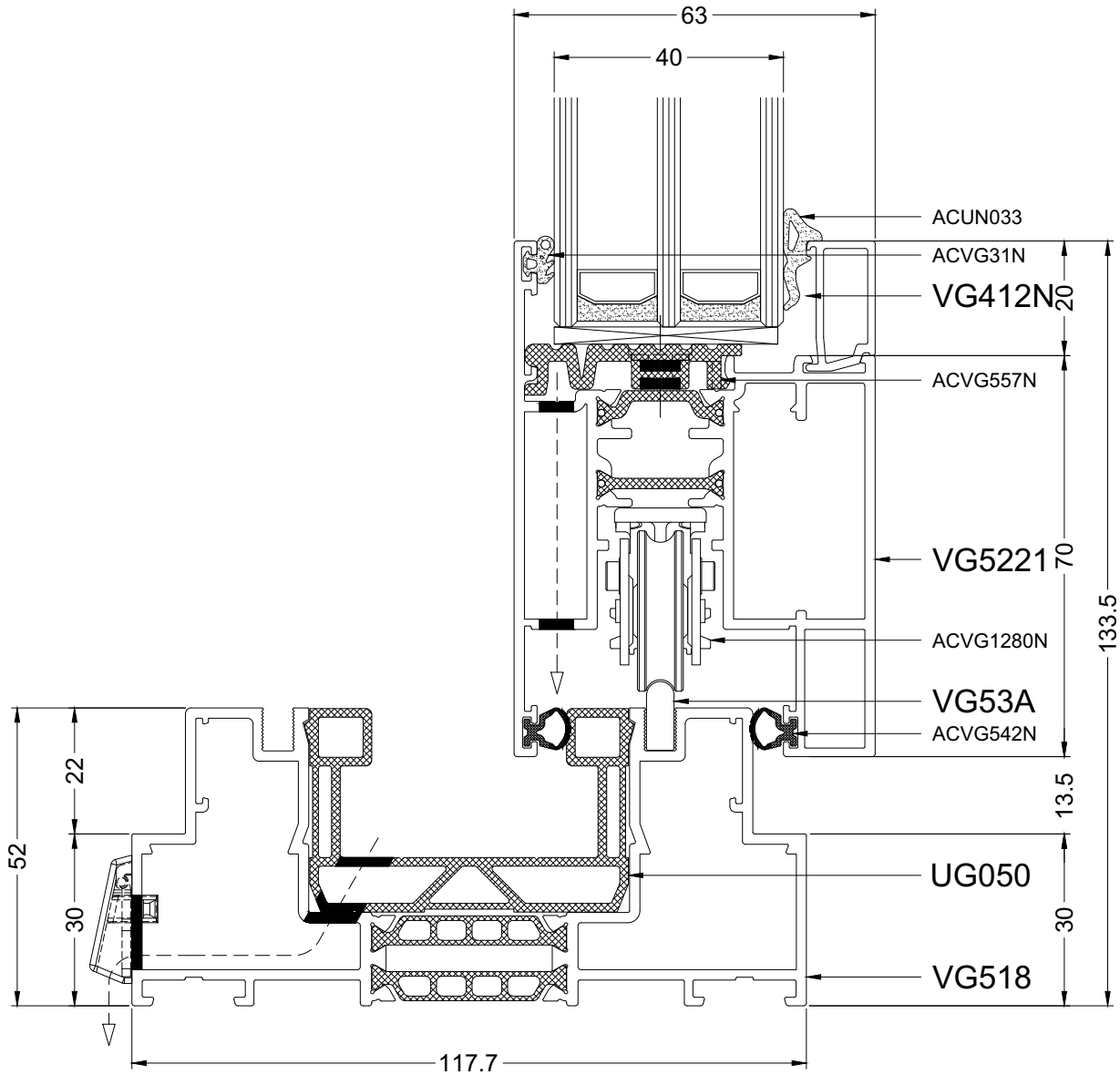
103B (HS)



(BOTTOM)VG518-VG521N(IN)(LS) - (HS)



103B (HS)



DOORSNEDETEKENINGEN - SECTION DE NOEUDS - PROFILKOMBINATIONEN - SECTION DRAWINGS

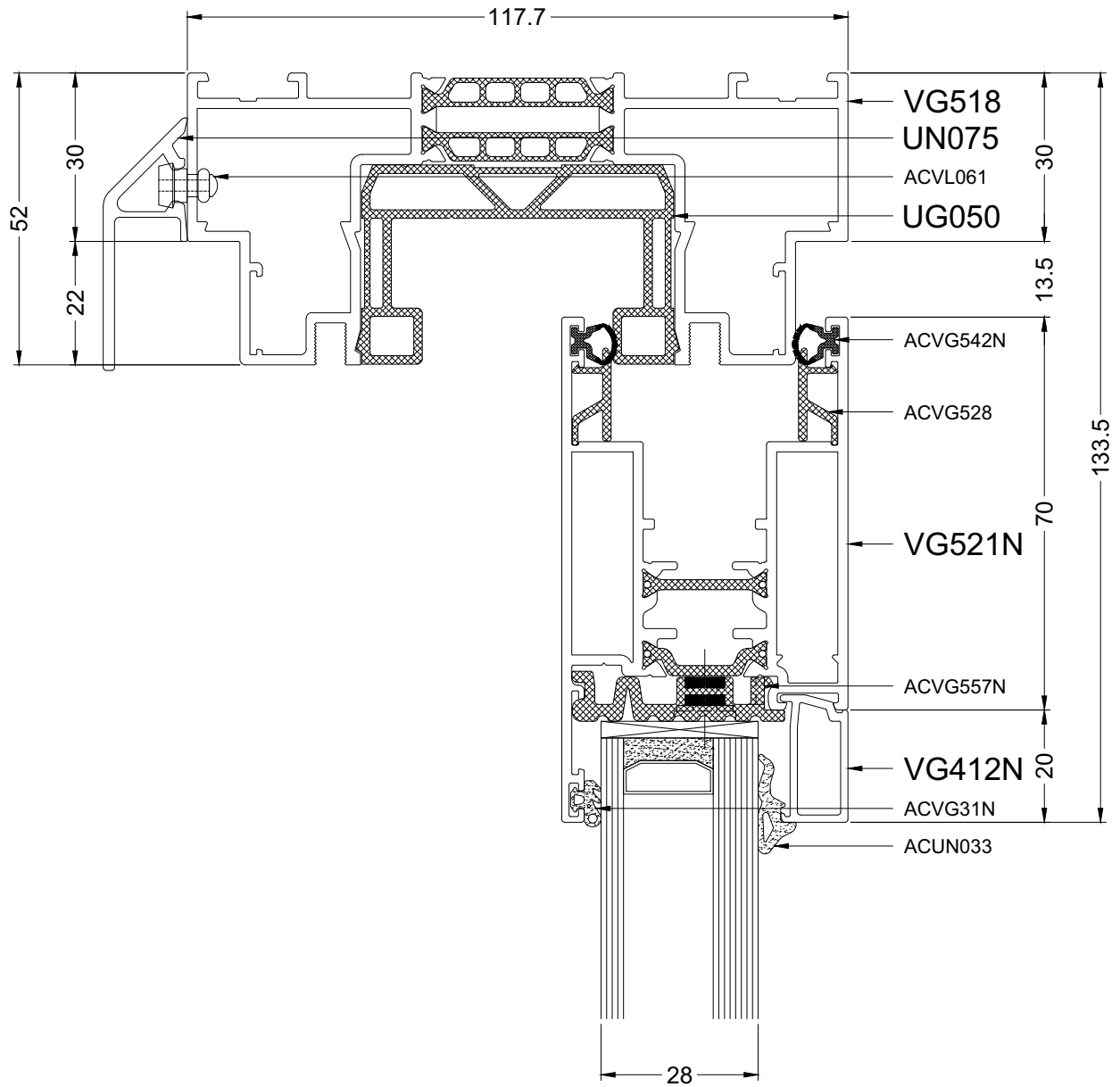
(BOTTOM)VG518-VG5221(IN)(LS) - (HS)

aliplast
member of



VG500

104A

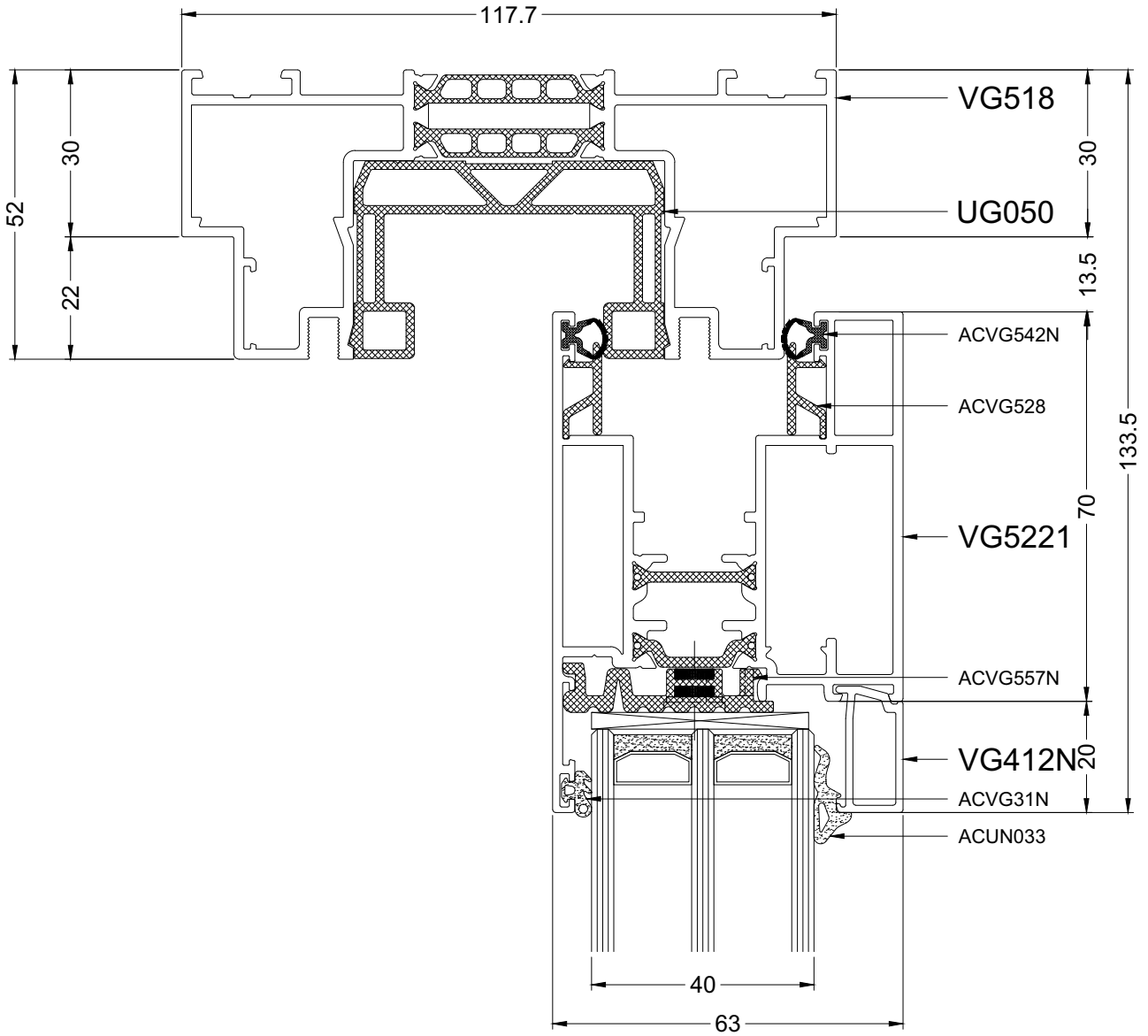


(TOP)VG518-VG521N(IN)(LS)

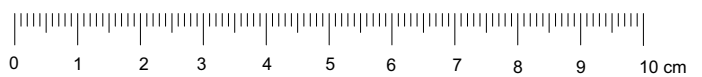


270

104B



DOORSNEDETEKENINGEN - SECTION DE NOEUDS - PROFILKOMBINATIONEN - SECTION DRAWINGS



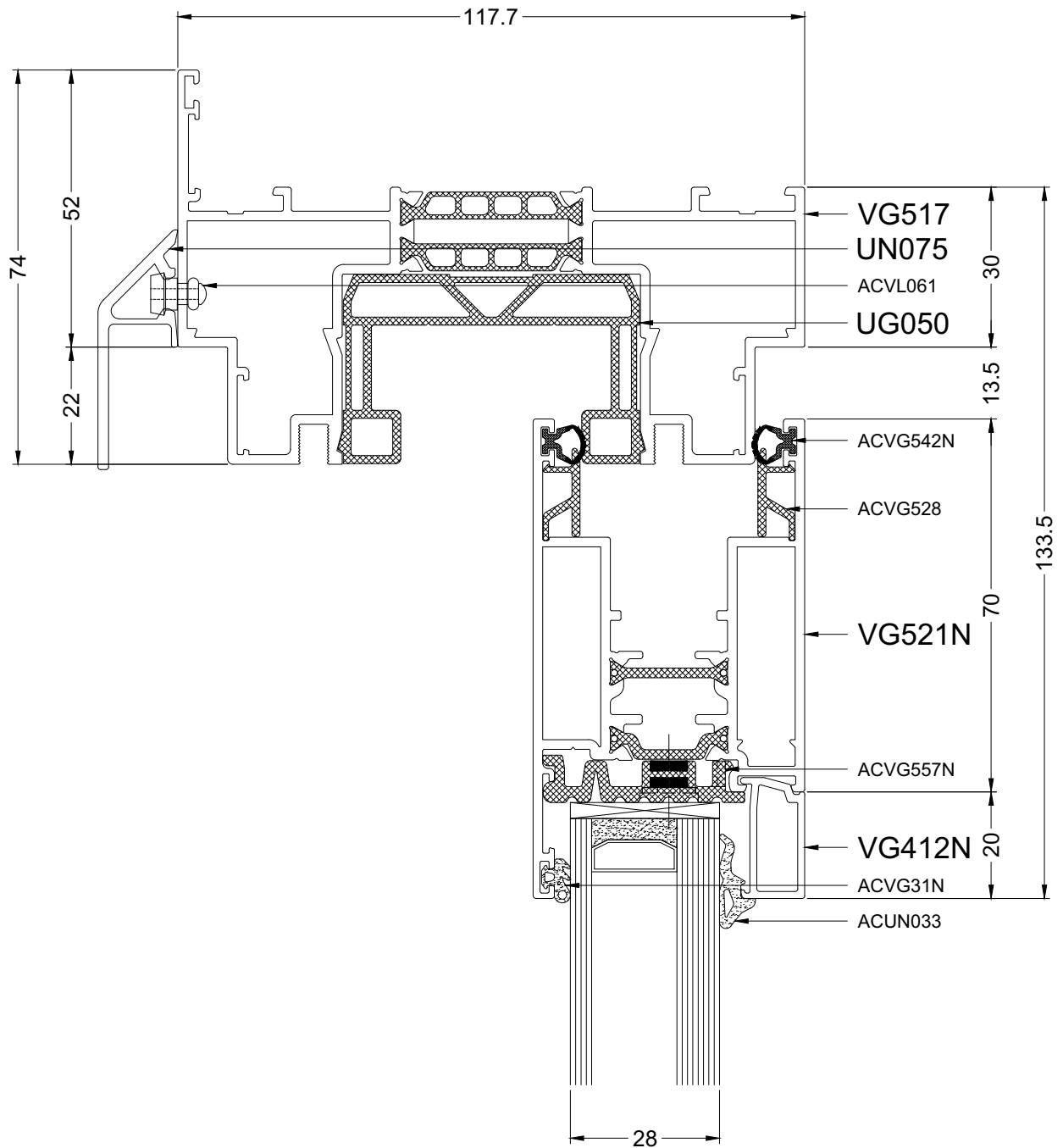
(TOP)VG518-VG5121(IN)(LS)

aliplast
member of

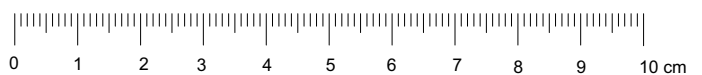


VG500

104C

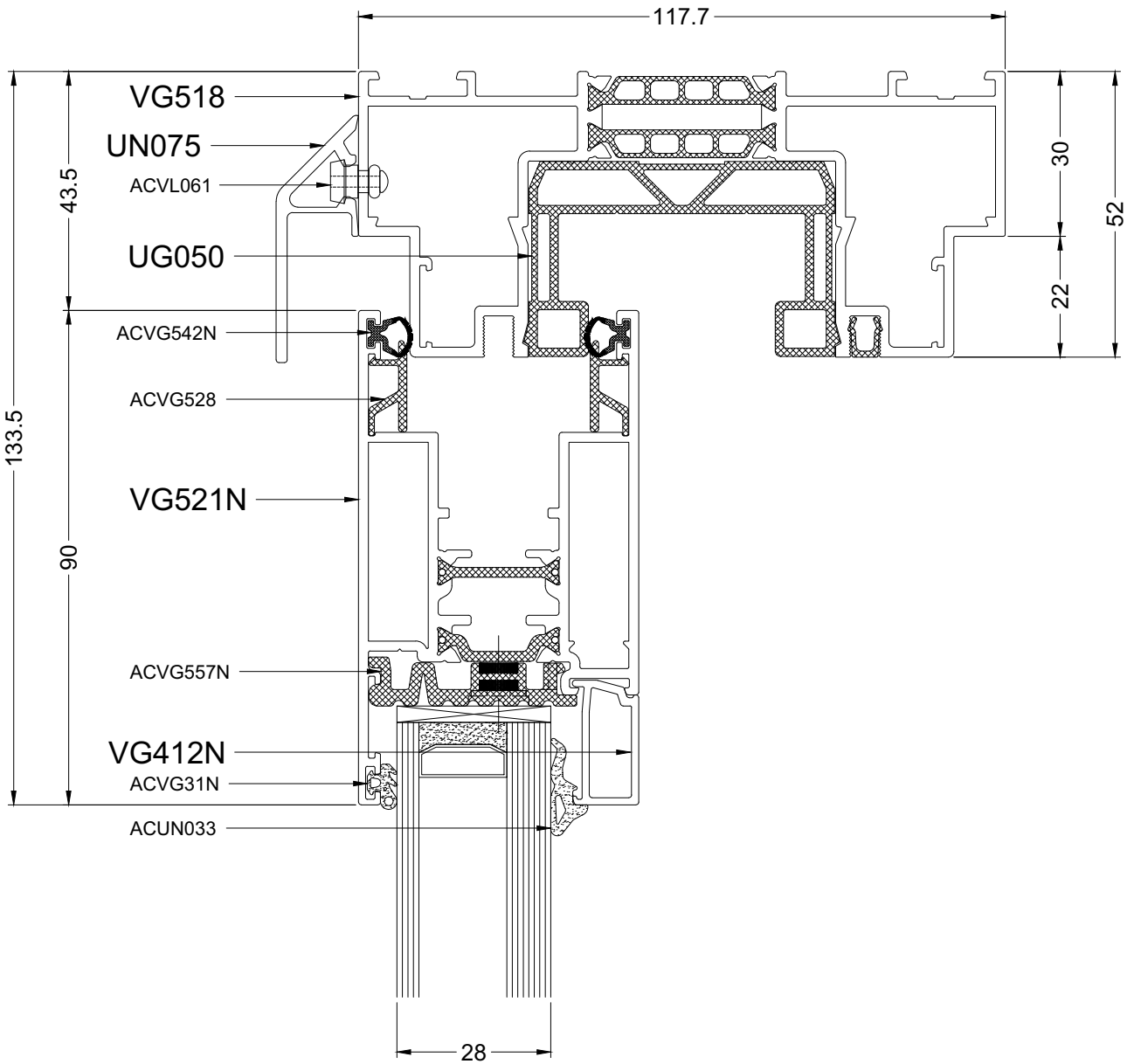


(TOP)VG517-VG521N(IN)(LS)



272

105A



DOORSNEDETEKENINGEN - SECTION DE NOEUDS - PROFILKOMBINATIONEN - SECTION DRAWINGS



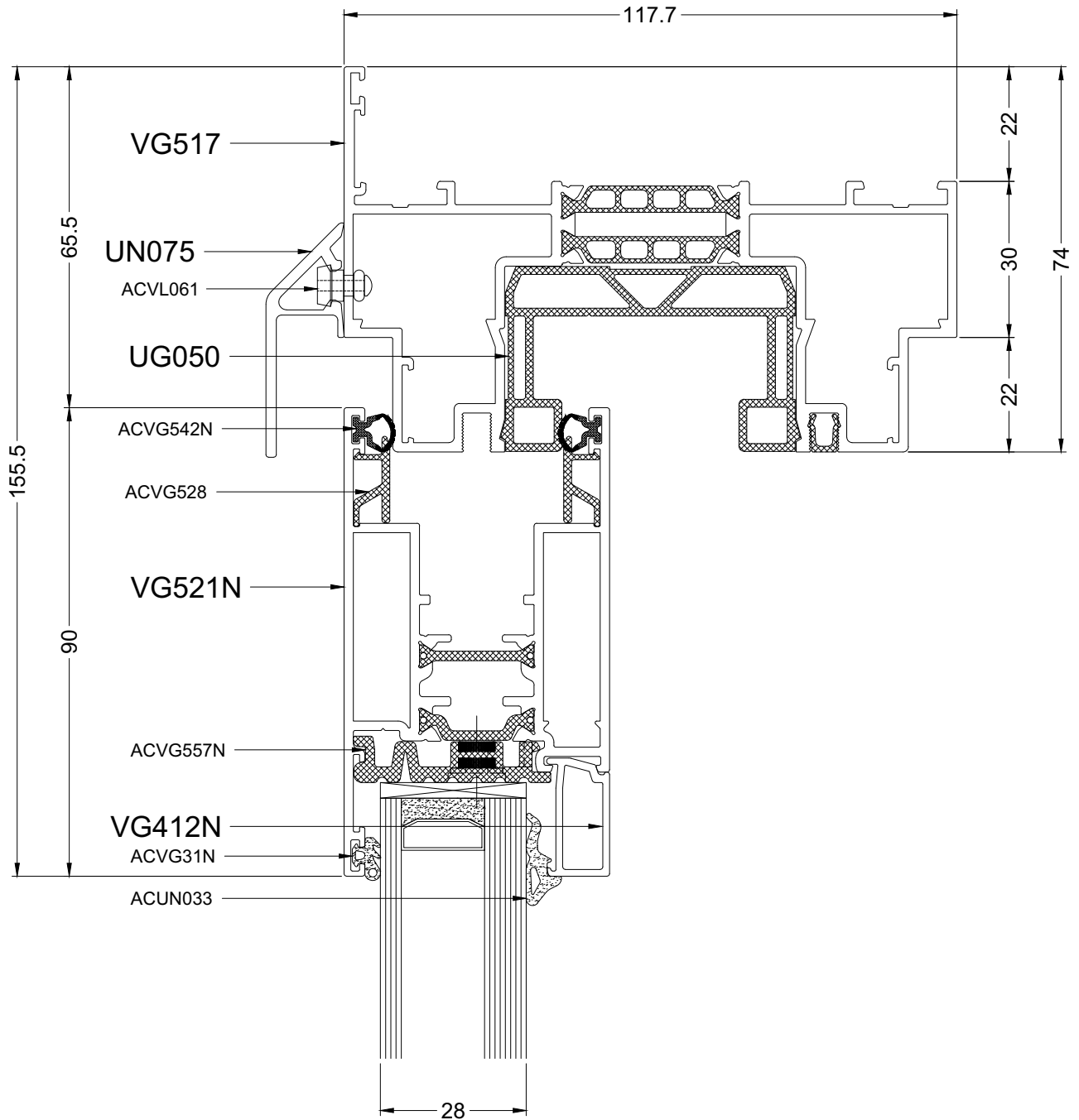
(TOP)VG518-VG521N(OUT)(LS)

aliplast
member of



VG500

105B

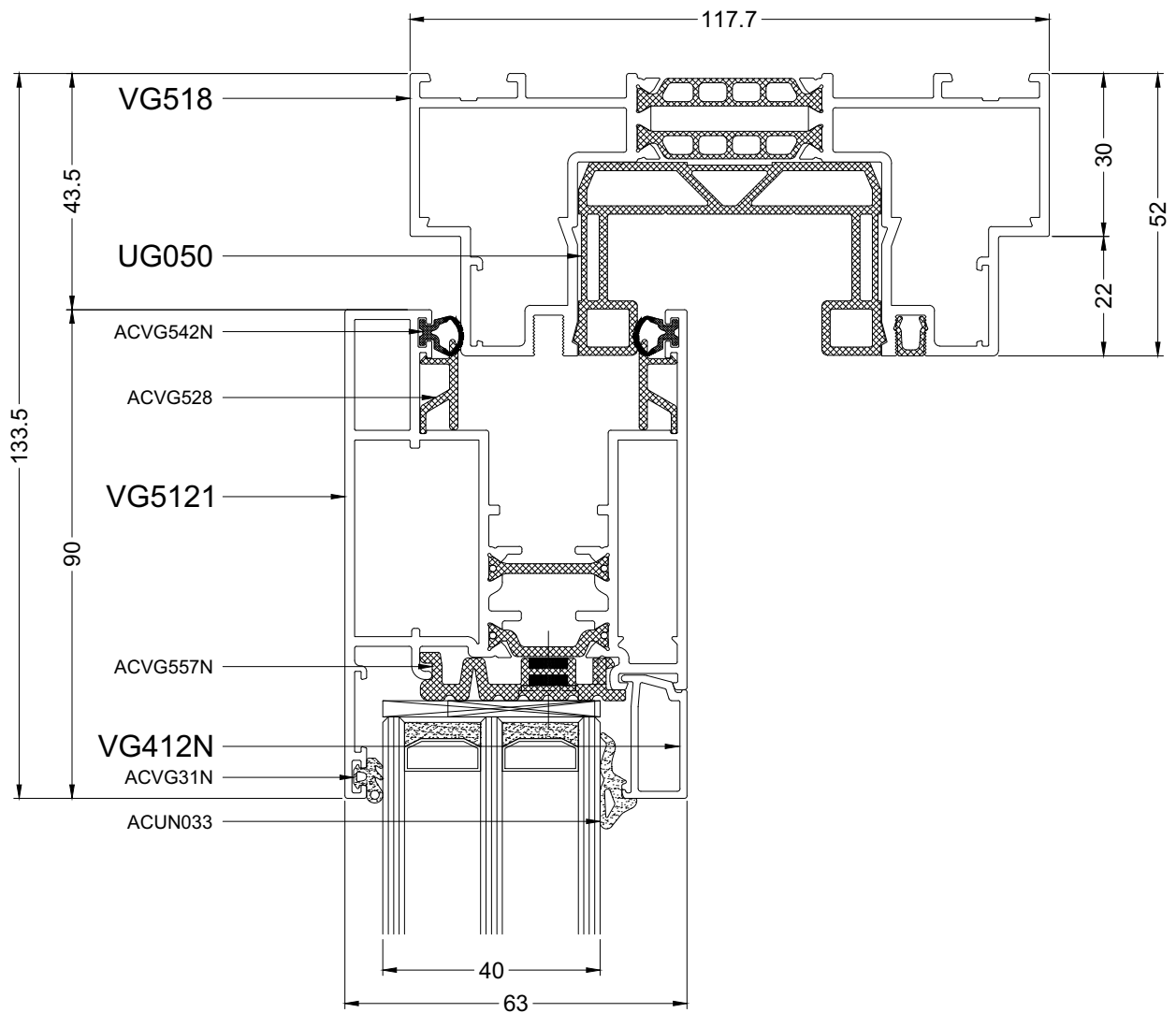


(TOP)VG517-VG521N(OUT)(LS)



274

105C



DOORSNEDETEKENINGEN - SECTION DE NOEUDS - PROFILKOMBINATIONEN - SECTION DRAWINGS

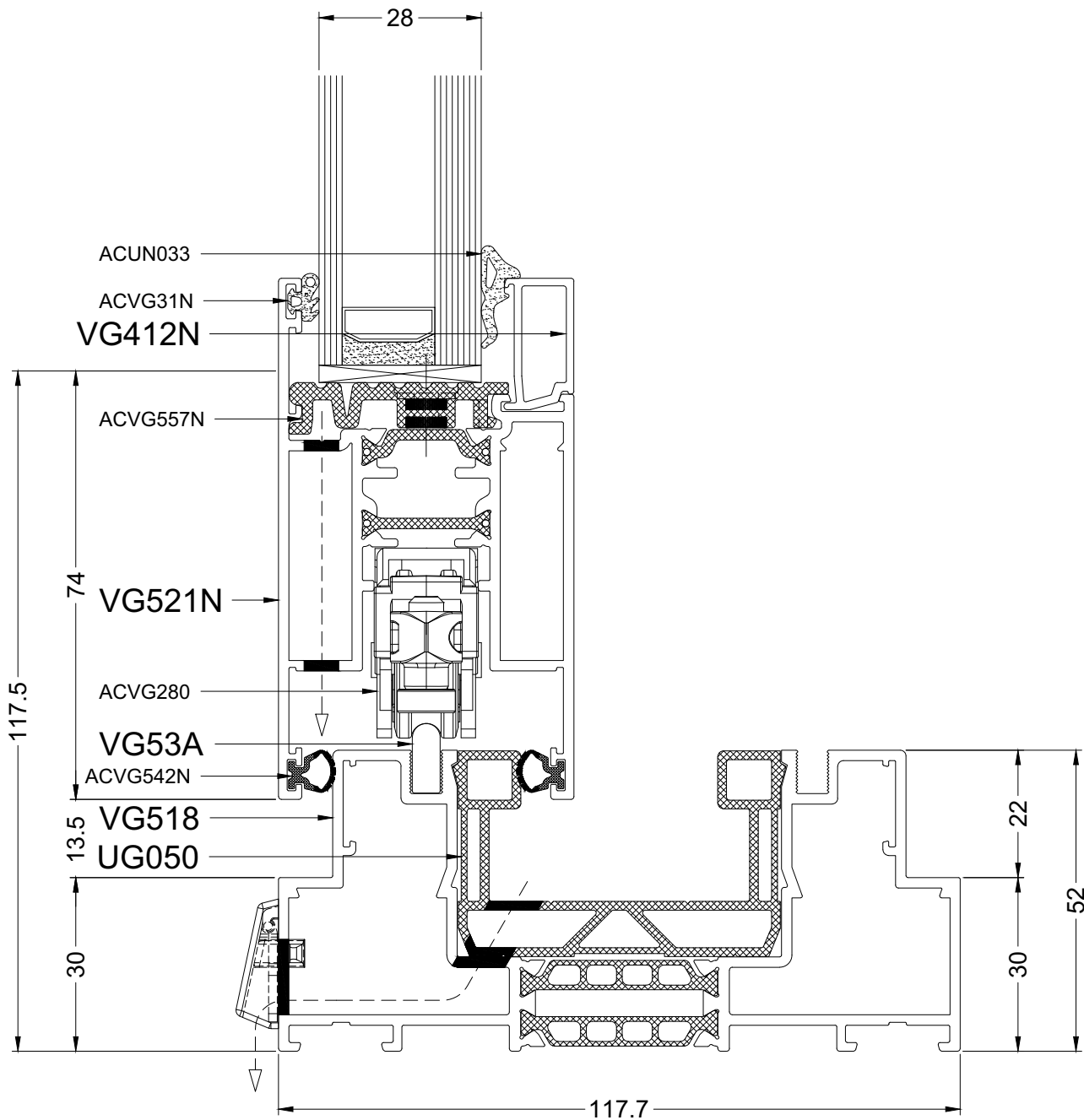
(TOP)VG518-VG5121(OUT)(LS)

aliplast
member of



VG500

106A

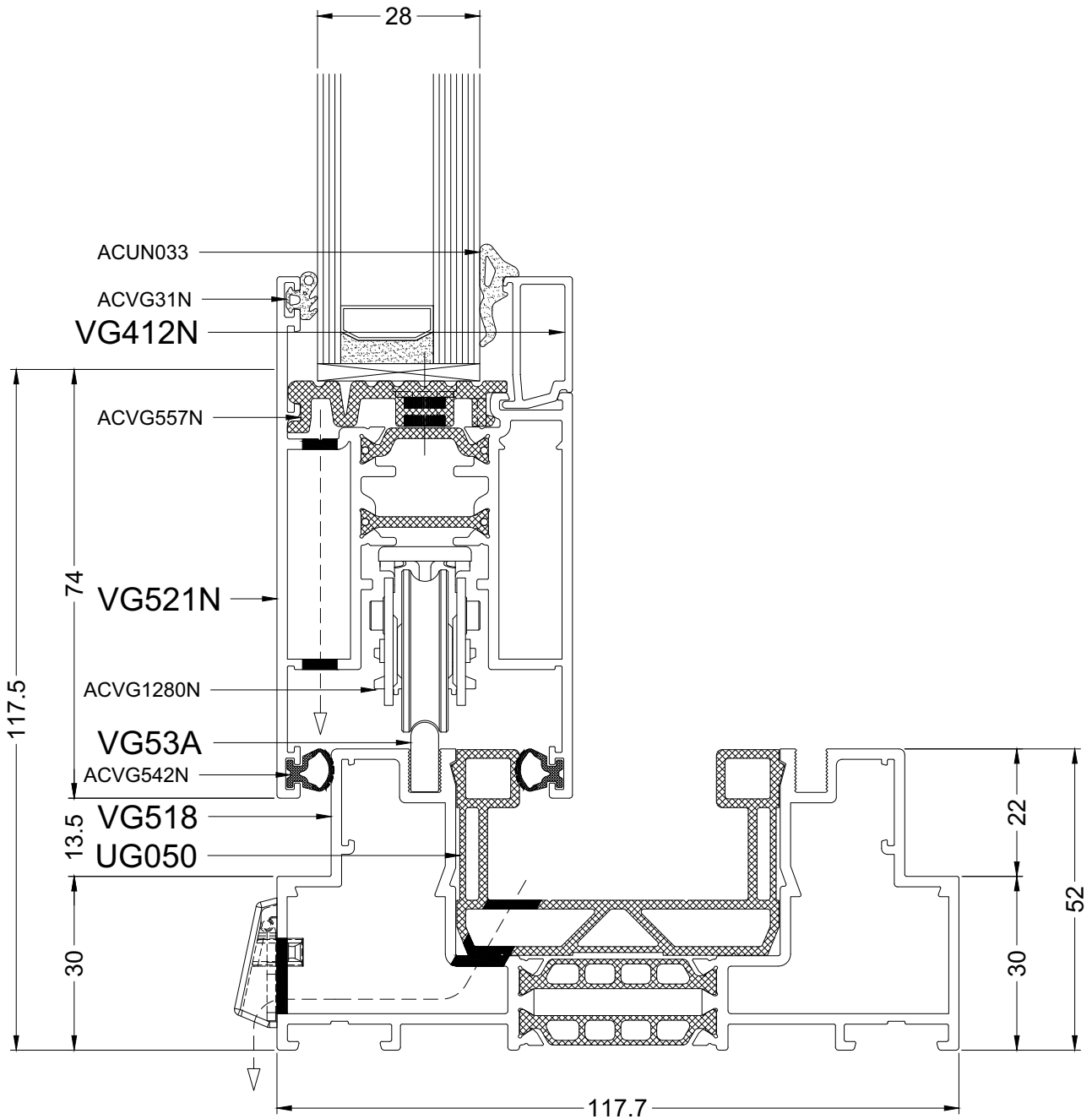


(BOTTOM)VG518-VG521N(OUT)(LS)



276

106B (HS)



DOORSNEDETEKENINGEN - SECTION DE NOEUDS - PROFILKOMBINATIONEN - SECTION DRAWINGS

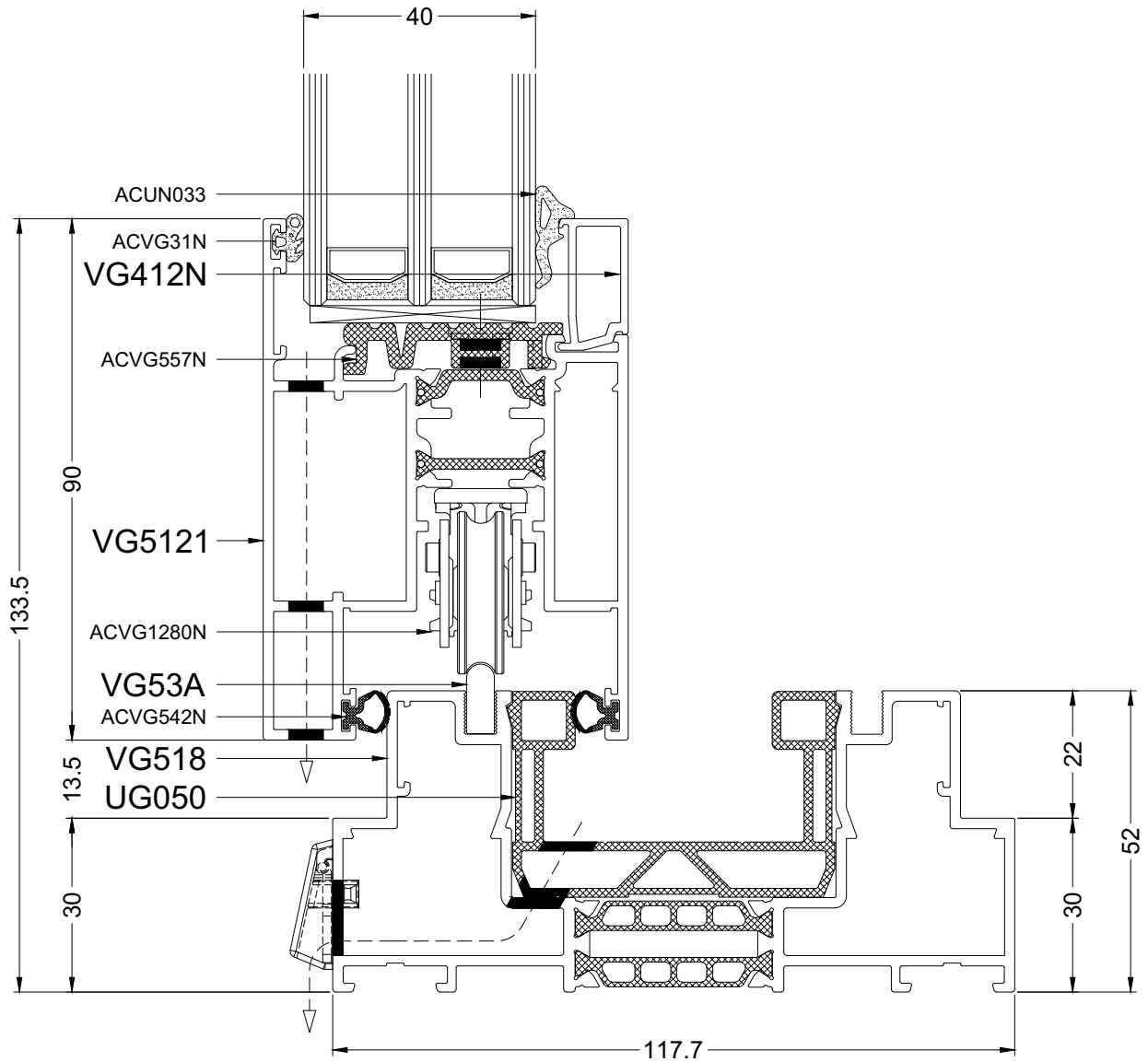
(BOTTOM)VG518-VG521N(OUT)(LS) - (HS)

aliplast
member of

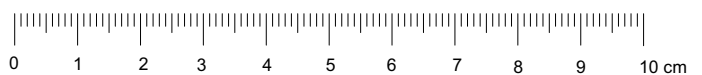


VG500

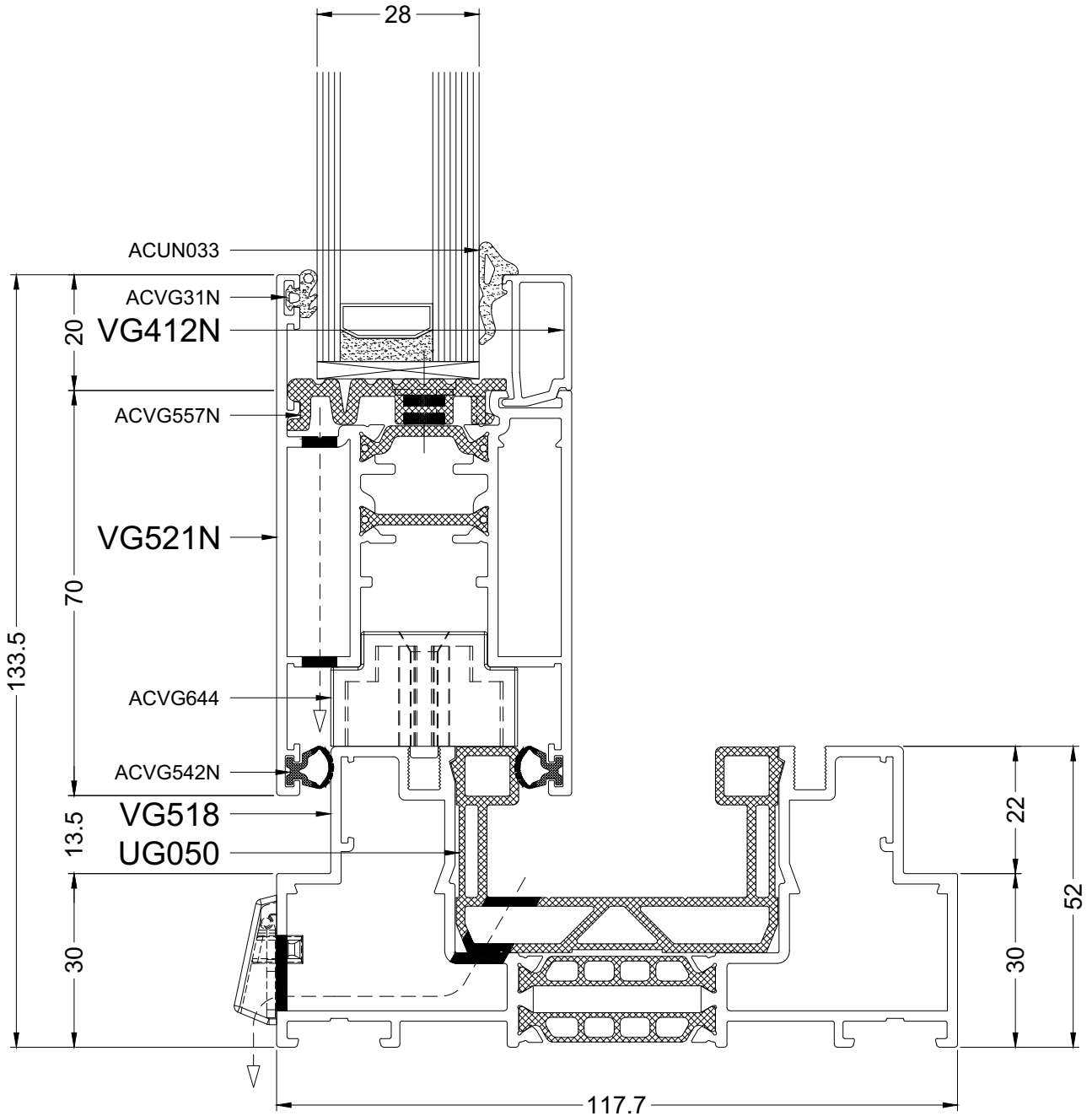
106C (HS)



(BOTTOM)VG518-VG5121(OUT)(LS) - (HS)

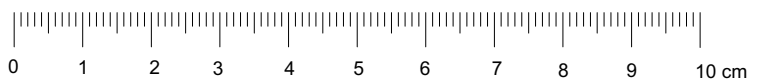


107A



DOORSNEDETEKENINGEN - SECTION DE NOEUDS - PROFILKOMBINATIONEN - SECTION DRAWINGS

(BOTTOM)VG518-VG521N(OUT)(FIX)

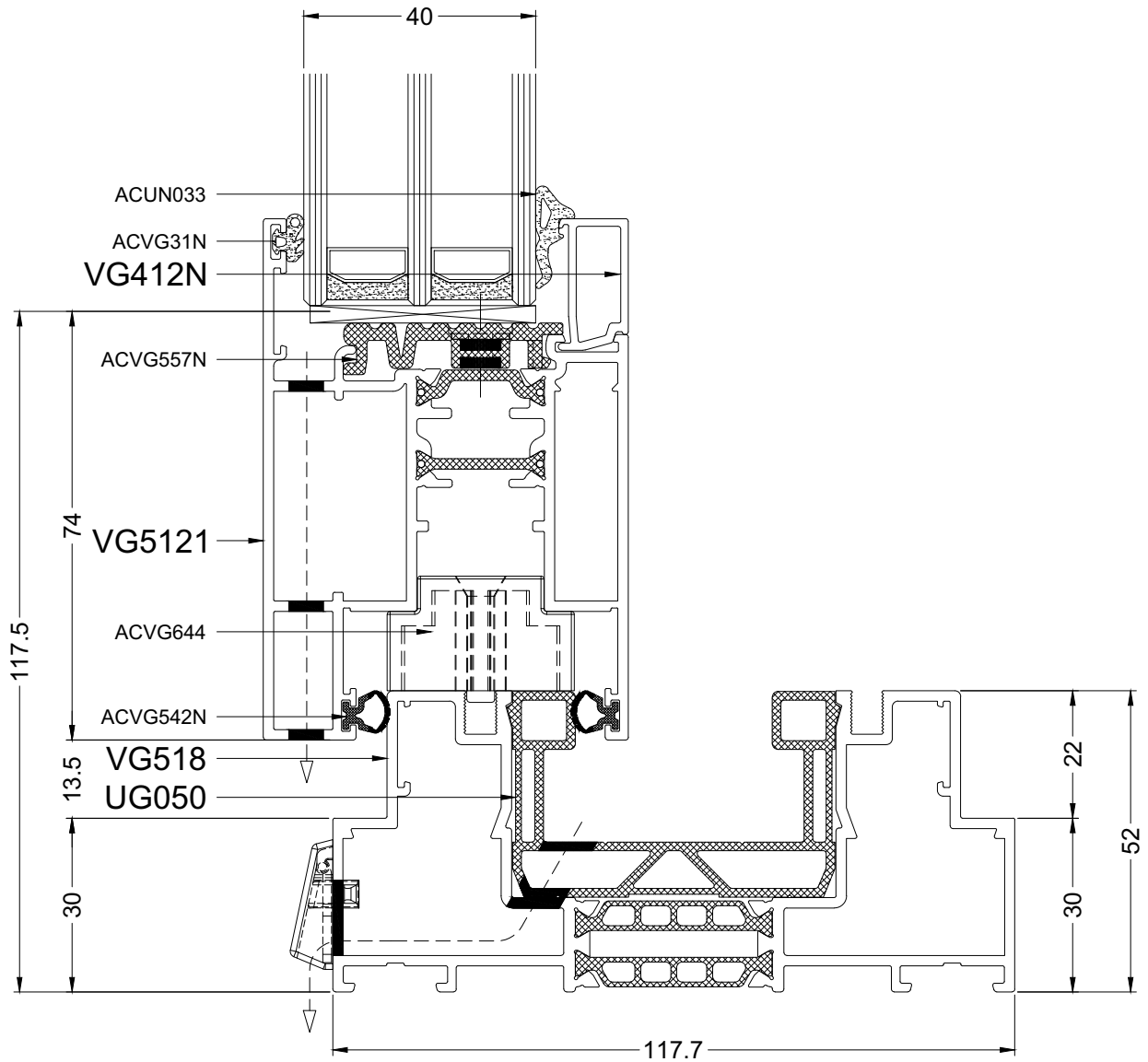


aliplast
member of

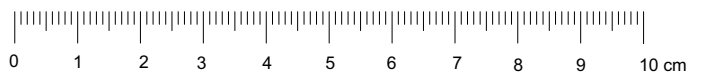


VG500

107B

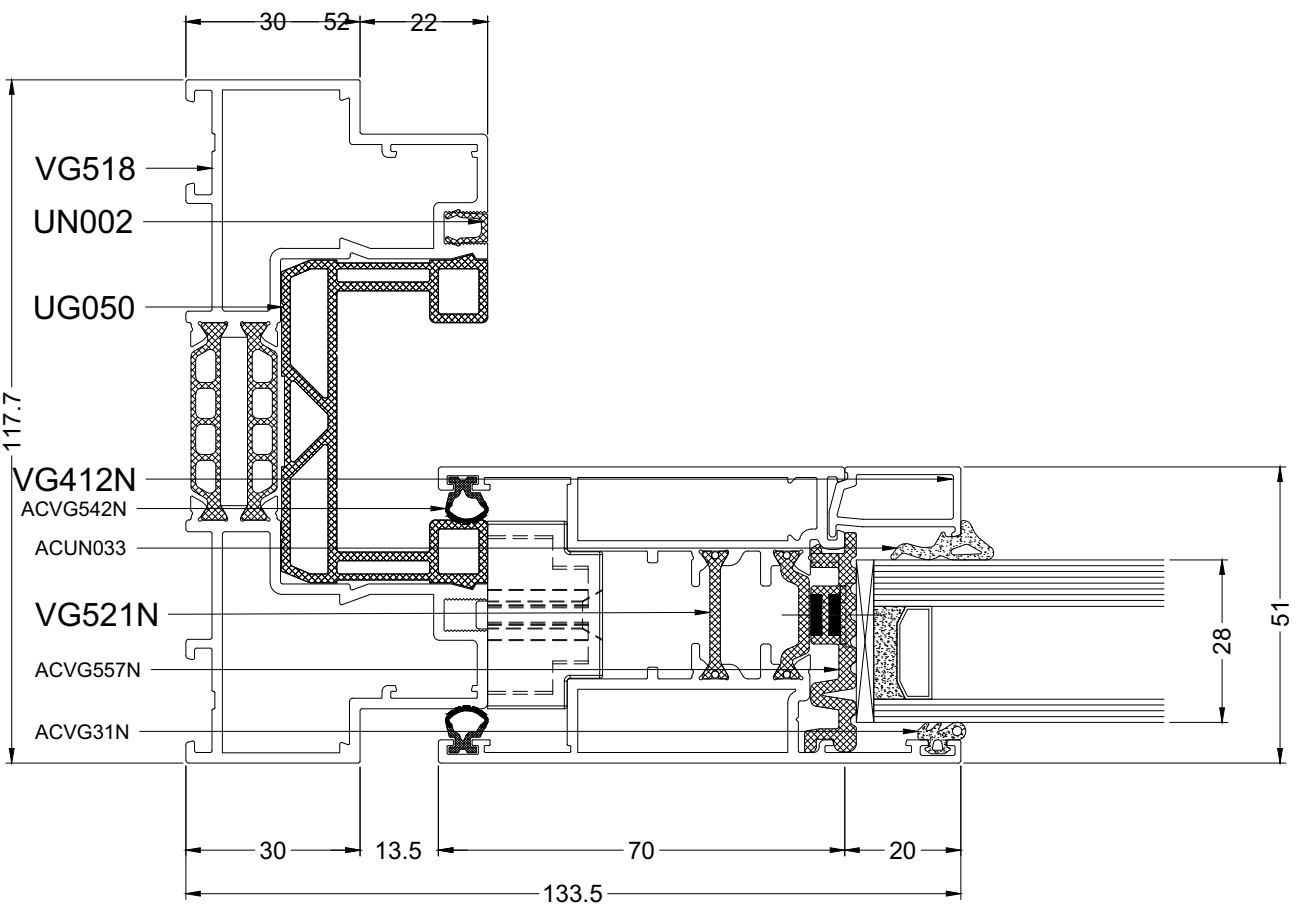


(BOTTOM)VG518-VG5121(OUT)(FIX)



280

108A



DOORSNEDETEKENINGEN - SECTION DE NOEUDS - PROFILKOMBINATIONEN - SECTION DRAWINGS

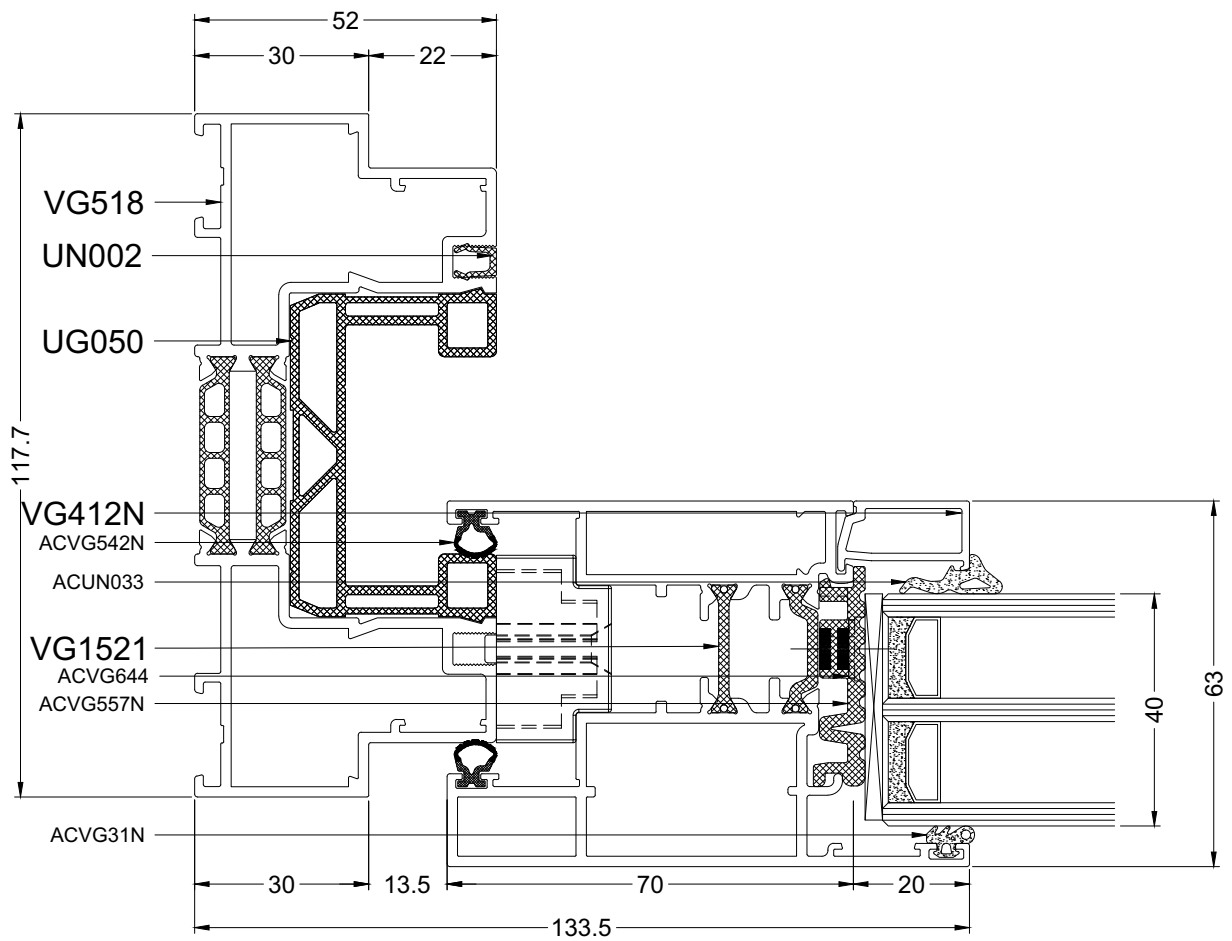
(SIDE)VG518-VG521N(OUT)(FIX)

aliplast
member of



VG500

108B

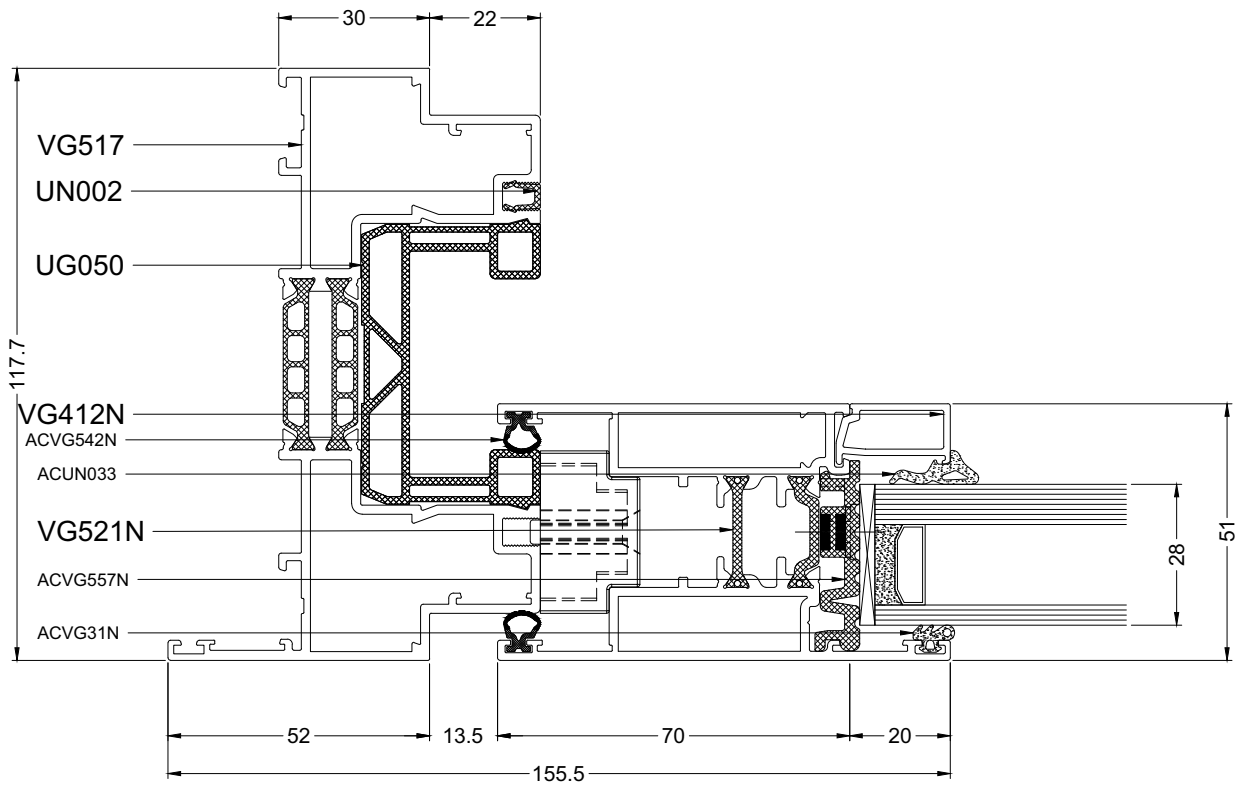


(SIDE)VG518-VG1521(OUT)(FIX)



282

108B



DOORSNEDETEKENINGEN - SECTION DE NOEUDS - PROFILKOMBINATIONEN - SECTION DRAWINGS

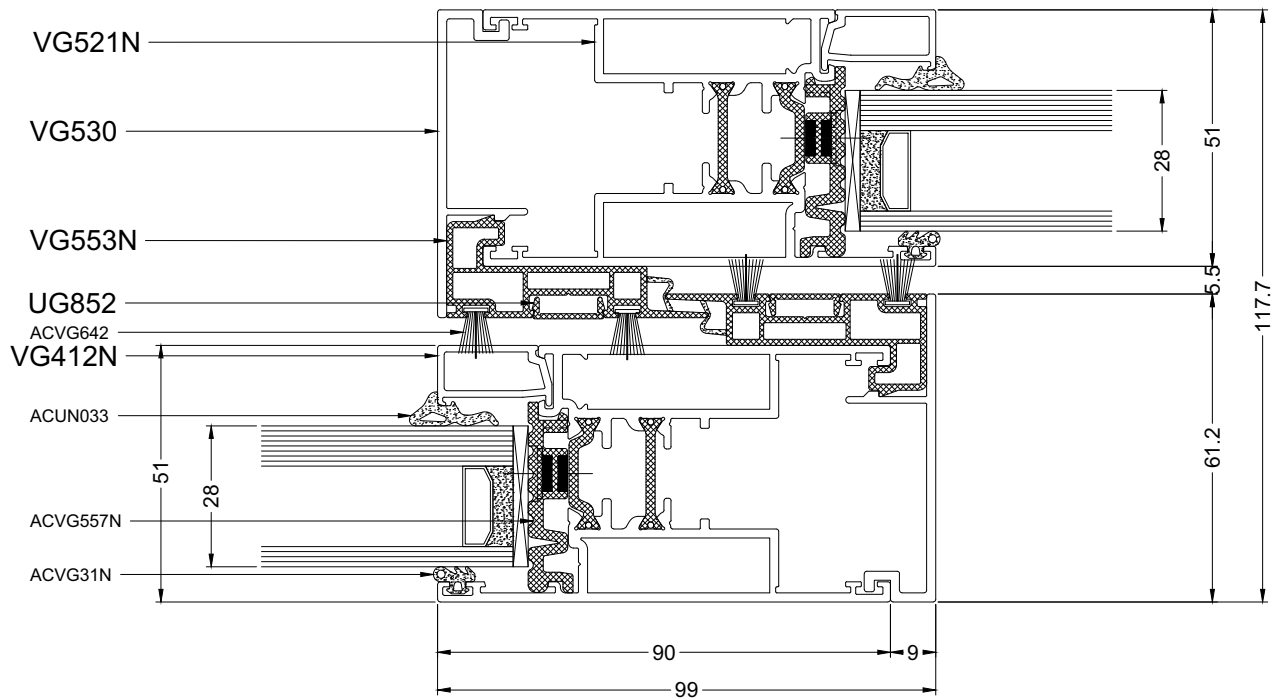
(SIDE)VG517-VG521N(OUT)(FIX)

aliplast
member of



VG500

109A



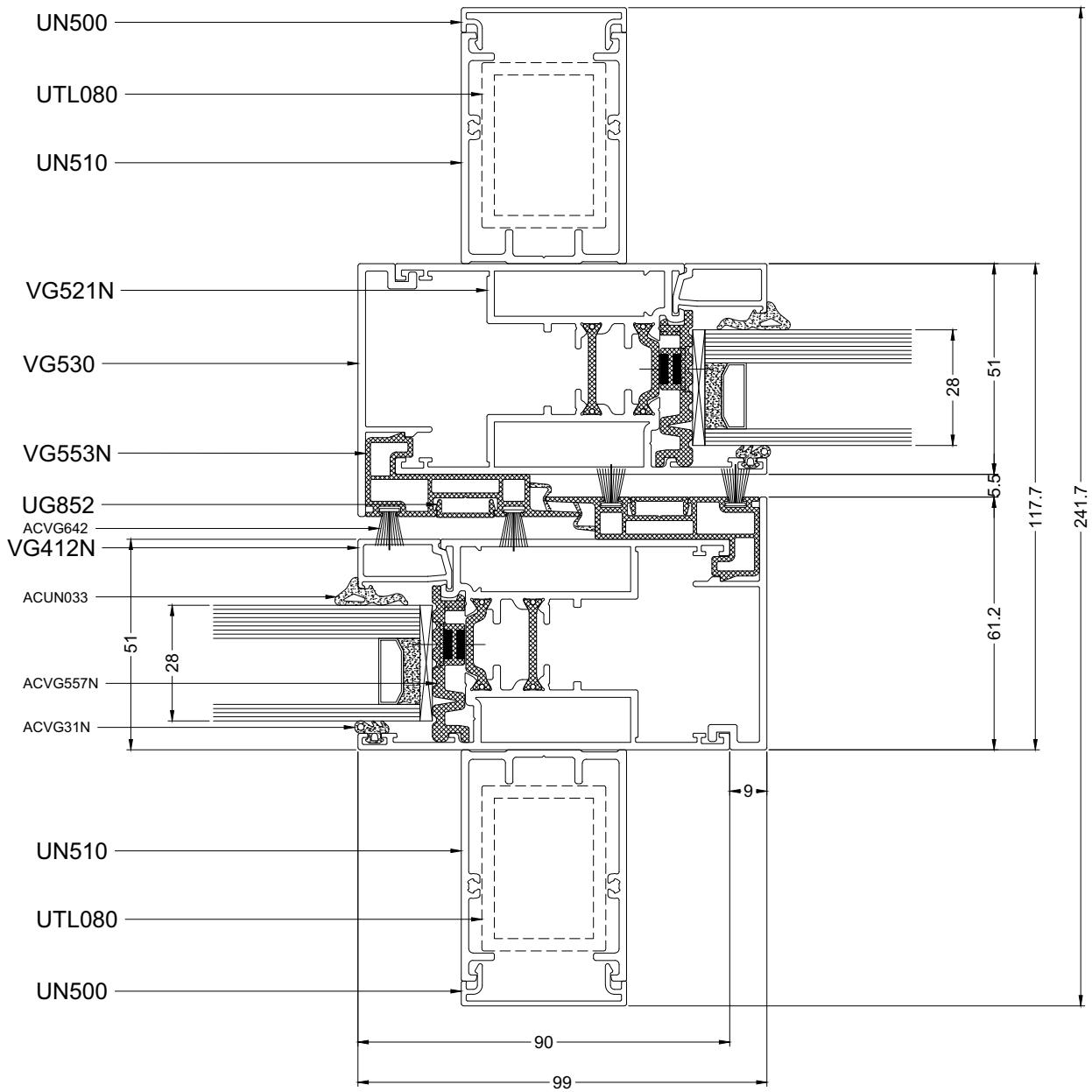
VG521N-VG530-VG521N



284

109B

DOORSNEDETEKENINGEN - SECTION DE NOEUDS - PROFILKOMBINATIONEN - SECTION DRAWINGS



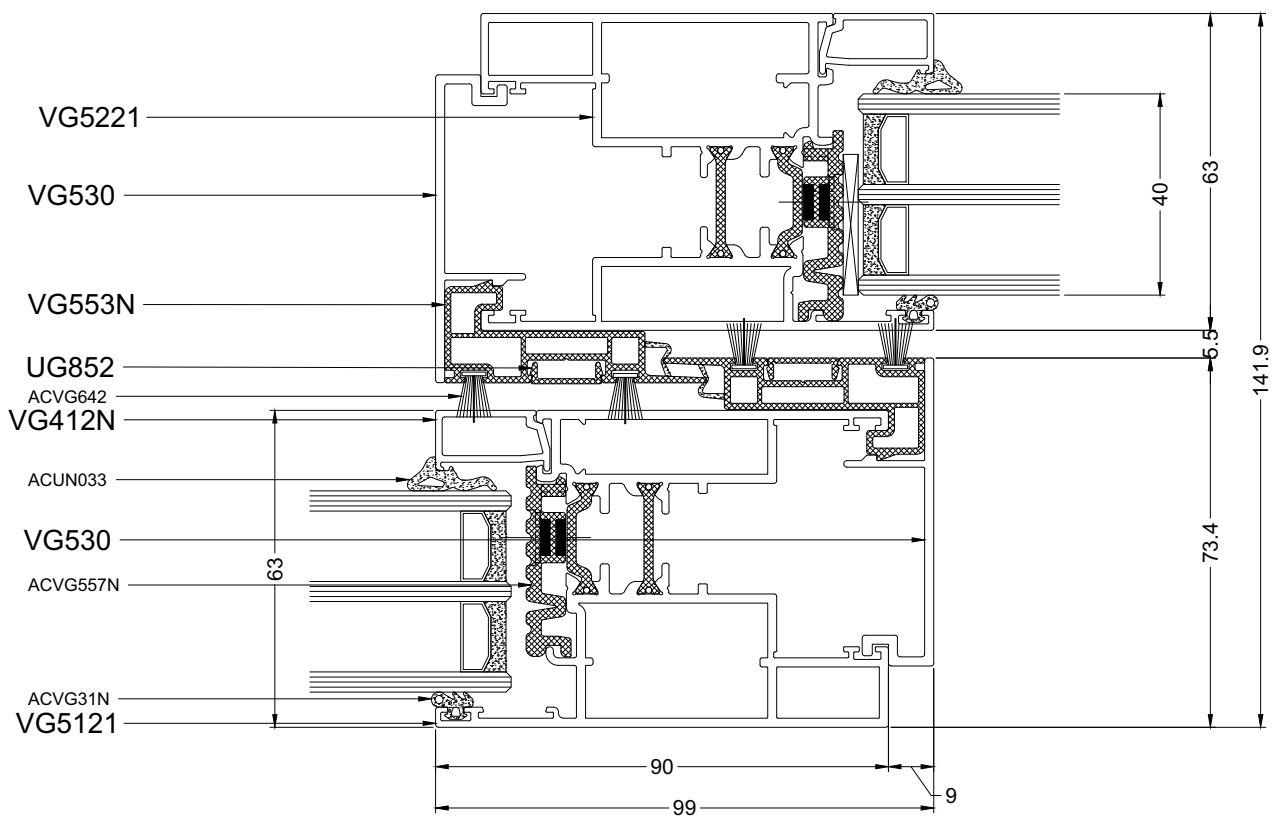
VG521N-VG530-VG521N (UN500-UN510)

aliplast
member of



VG500

109C

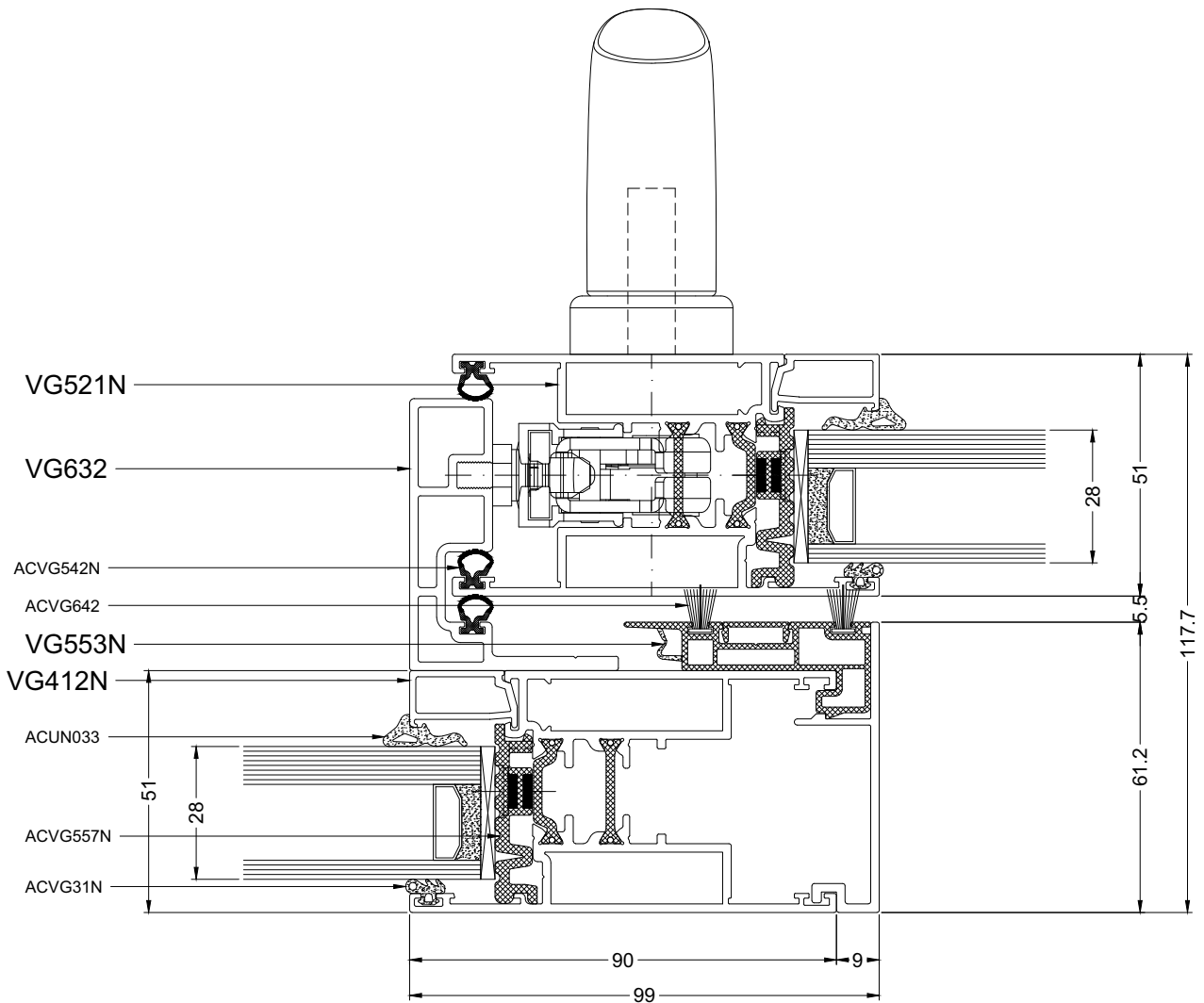


VG5121-VG530-VG5221



286

| | | |
|------------|---|-----------------------------|
| OVERZICHT |  | ZIE SZ CATALOGUS |
| APERCU | | VOIR LE CATALOGUE SZ |
| OVERVIEW | | SEE SZ CATALOG |
| UEBERSICHT | | SIEHE SZ KATALOG |



DOORSNEDETEKENINGEN - SECTION DE NOEUDS - PROFILKOMBINATIONEN - SECTION DRAWINGS

(VG632)VG521N-VG521N(VG530)

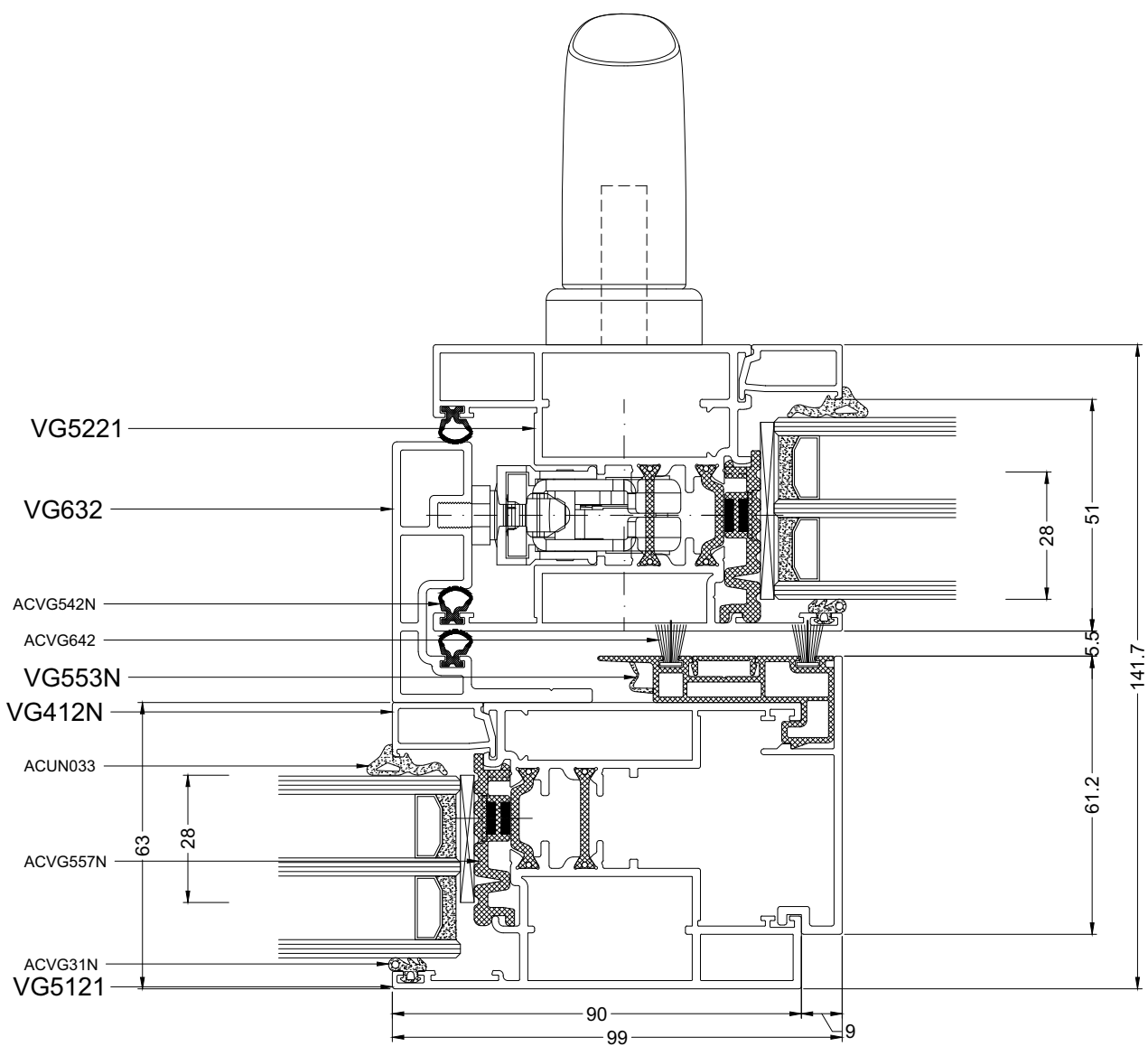
aliplast
member of



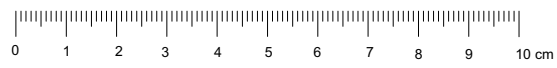
VG500

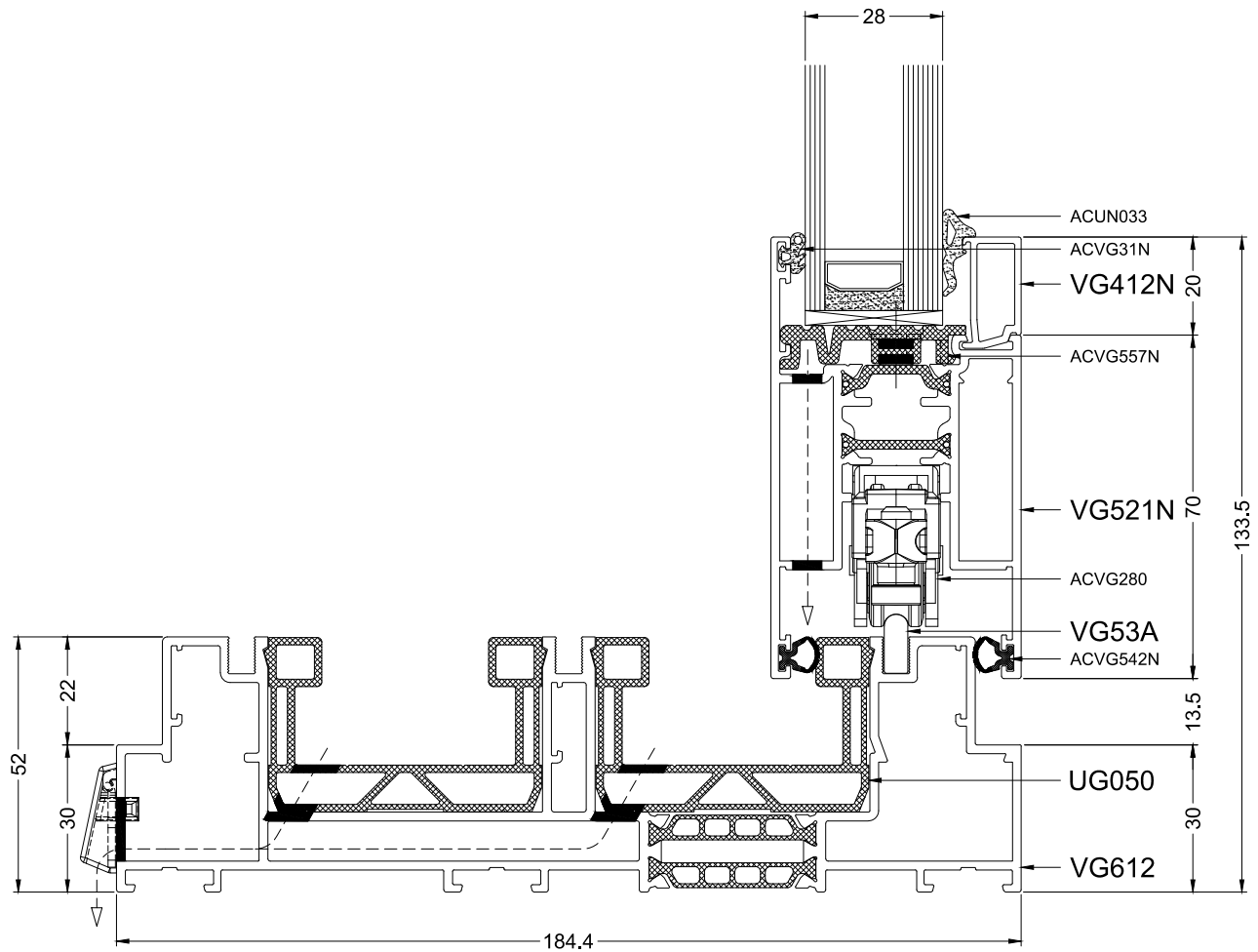
110

| | | |
|------------|---|-----------------------------|
| OVERZICHT |  | ZIE SZ CATALOGUS |
| APERCU | | VOIR LE CATALOGUE SZ |
| OVERVIEW | | SEE SZ CATALOG |
| UEBERSICHT | | SIEHE SZ KATALOG |



(VG632)VG5121-VG5221N(VG530)





DOORSNEDETEKENINGEN - SECTION DE NOEUDS - PROFILKOMBINATIONEN - SECTION DRAWINGS

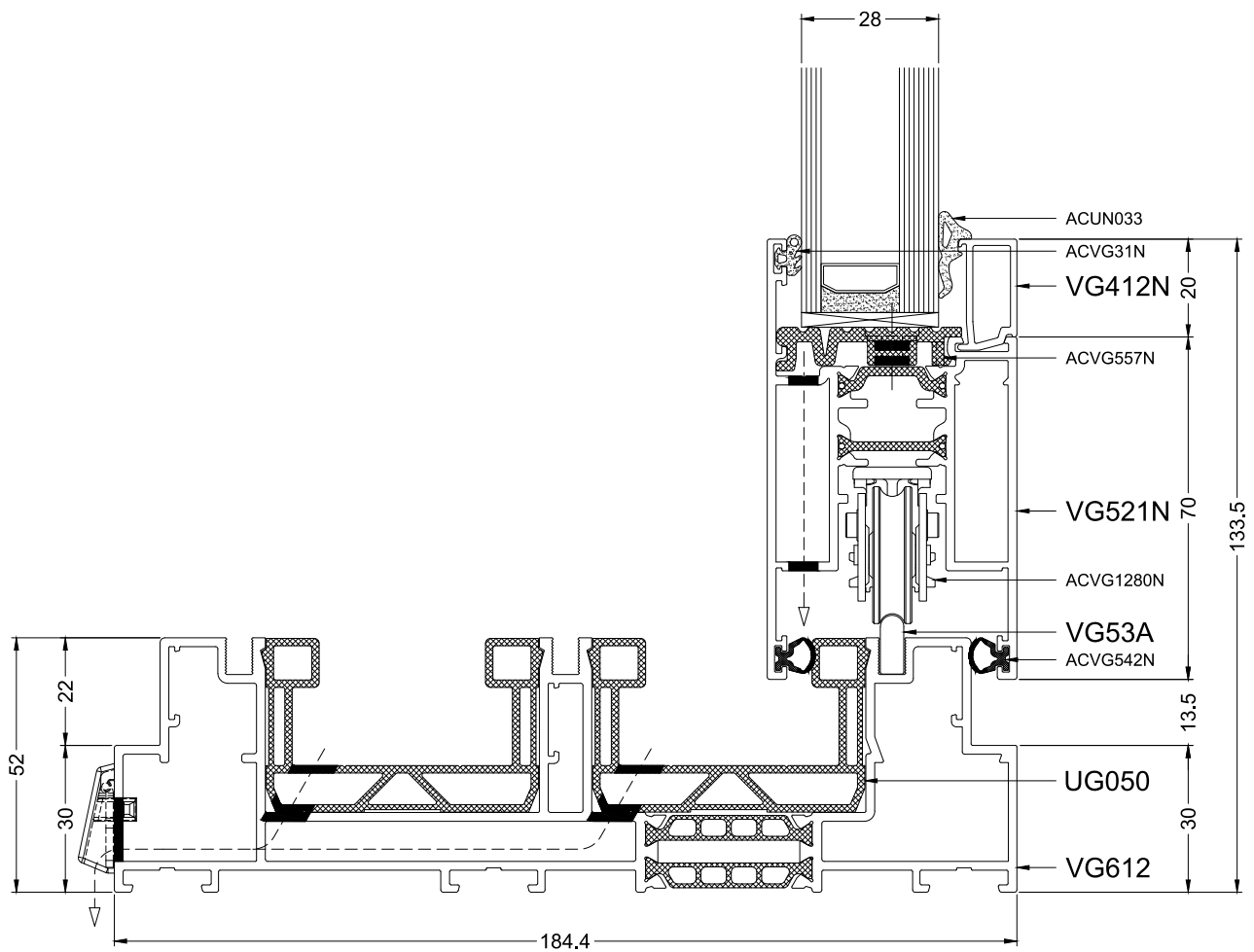
(BOTTOM)VG612-VG521N(IN)(LS)

aliplast
member of



VG500

111 (HS)

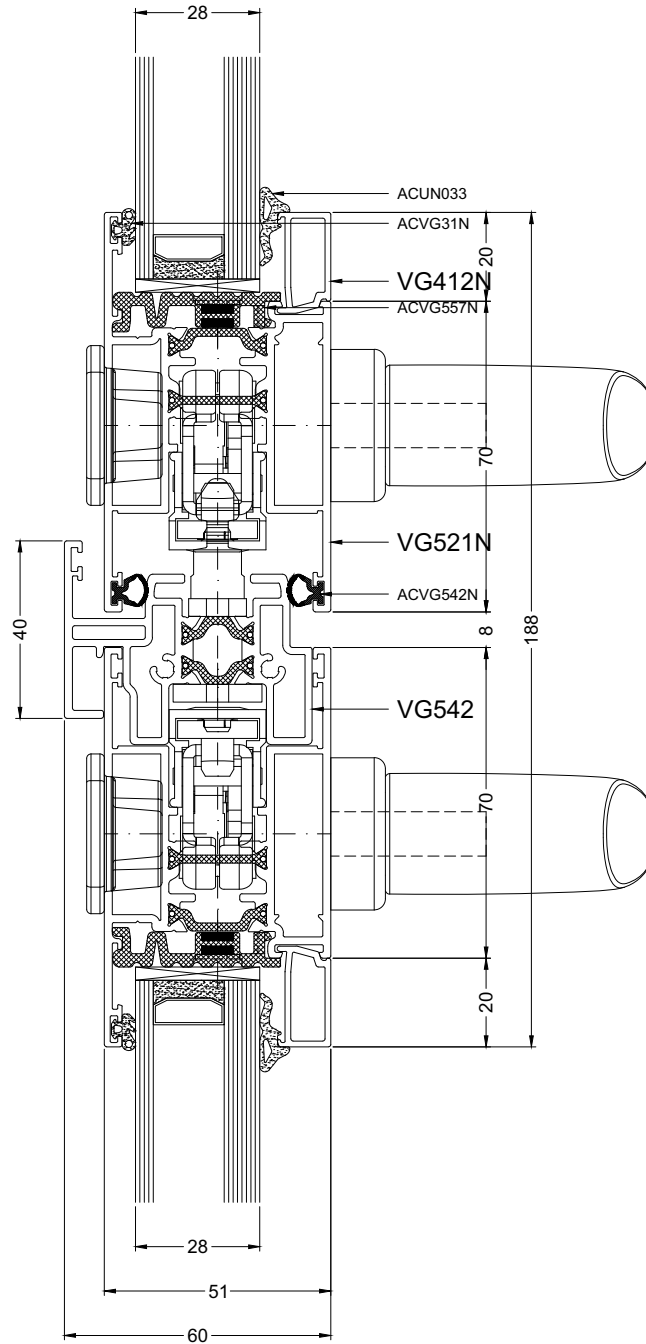


(BOTTOM)VG612-VG521N(IN)(LS) - (HS)



290

| | | |
|------------|--|----------------------|
| OVERZICHT | | ZIE SZ CATALOGUS |
| APERCU | | VOIR LE CATALOGUE SZ |
| OVERVIEW | | SEE SZ CATALOG |
| UEBERSICHT | | SIEHE SZ KATALOG |



DOORSNEDETEKENINGEN - SECTION DE NOEUDS - PROFILKOMBINATIONEN - SECTION DRAWINGS

VG521N-VG542-VG521N(LS)

aliplast
member of



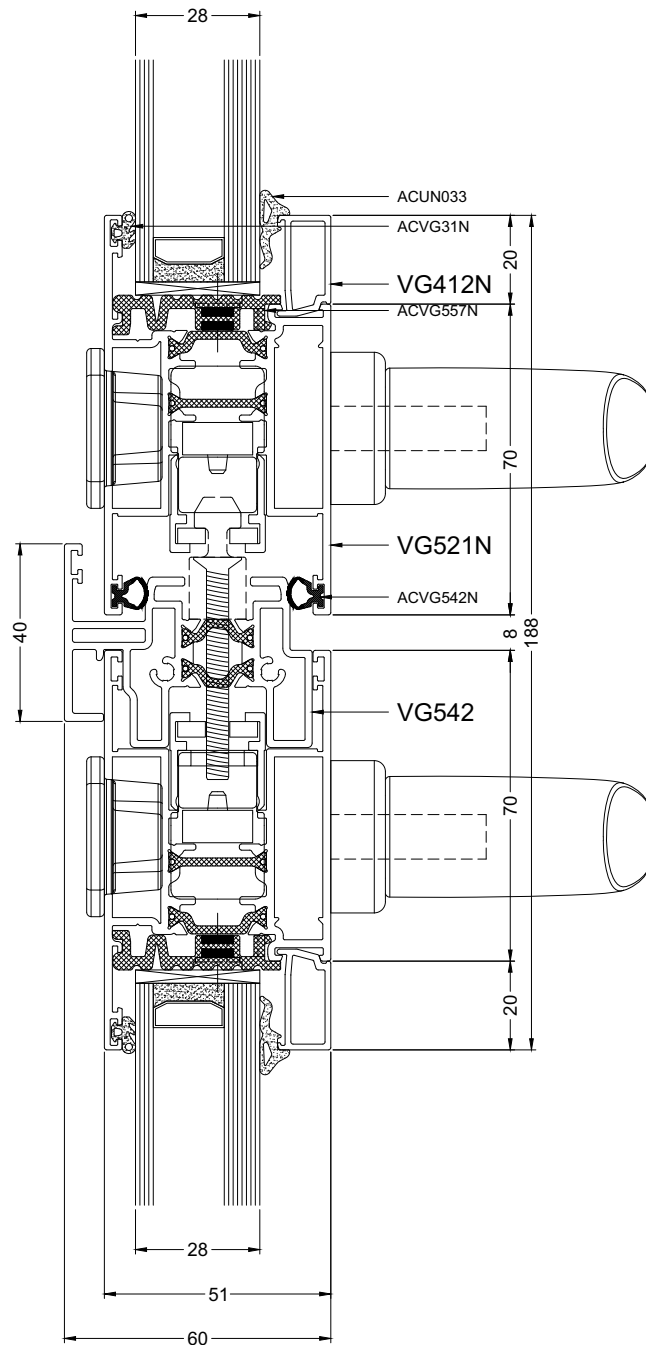
VG500

112A (HS)

OVERZICHT
APERCU
OVERVIEW
UEBERSICHT



ZIE SZ CATALOGUS
VOIR LE CATALOGUE SZ
SEE SZ CATALOG
SIEHE SZ KATALOG



VG521N-VG542-VG521N(LS) - (HS)

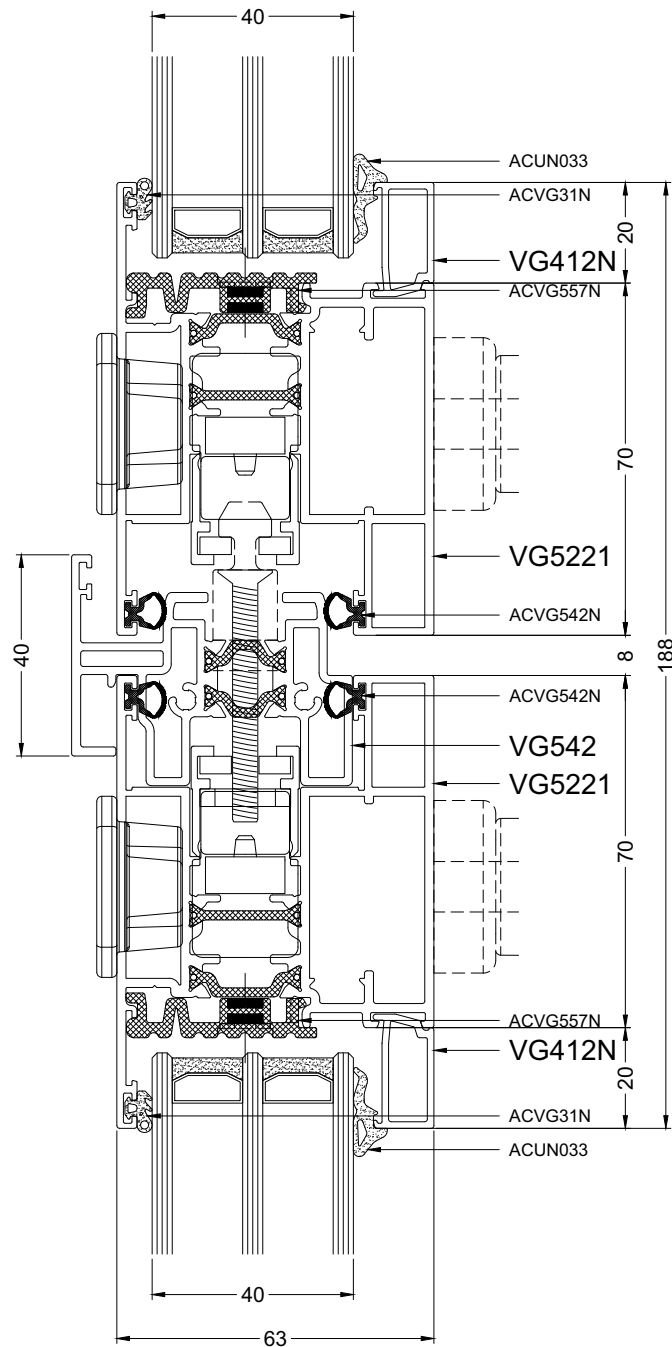


112B (HS)

OVERZICHT
APERCU
OVERVIEW
UEBERSICHT



ZIE **SZ** CATALOGUS
VOIR LE CATALOGUE **SZ**
SEE **SZ** CATALOG
SIEHE **SZ** KATALOG



VG5221-VG542-VG5221(LS) - (HS)

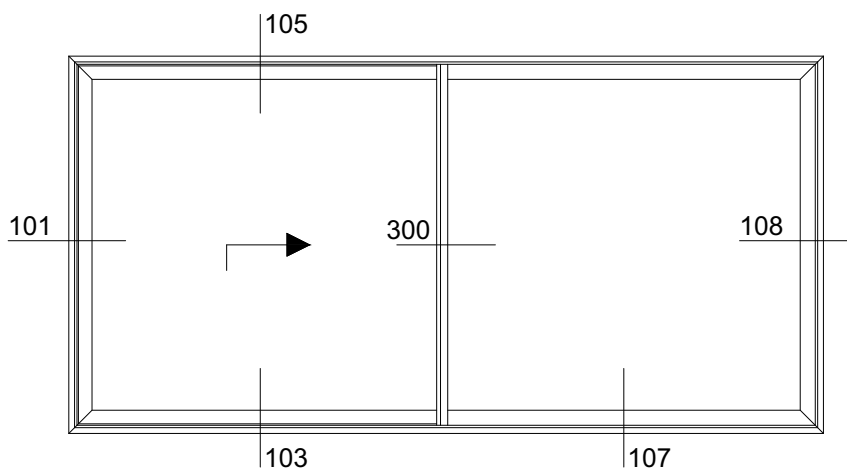
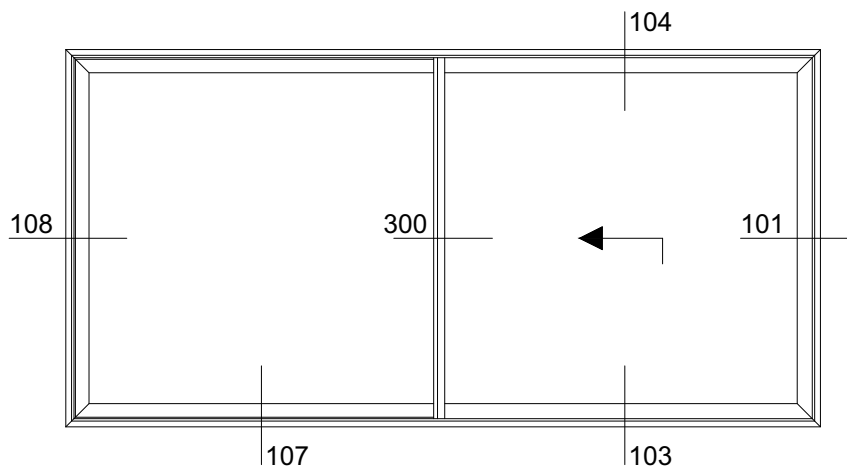
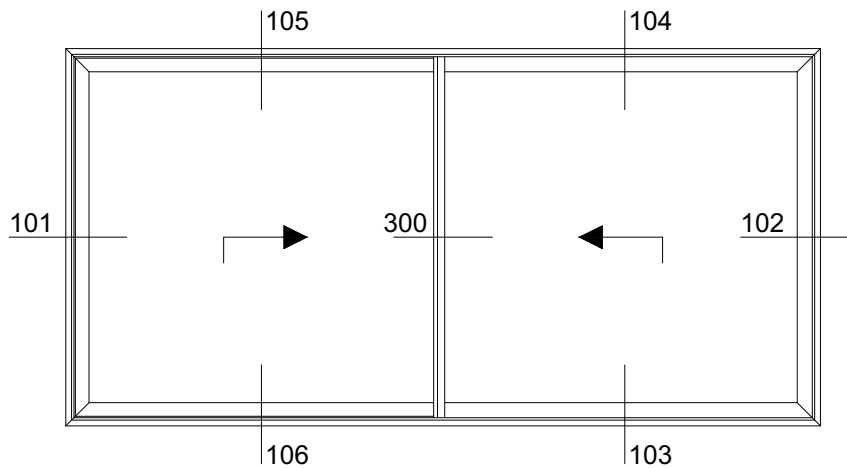
aliplast
member of



VG500

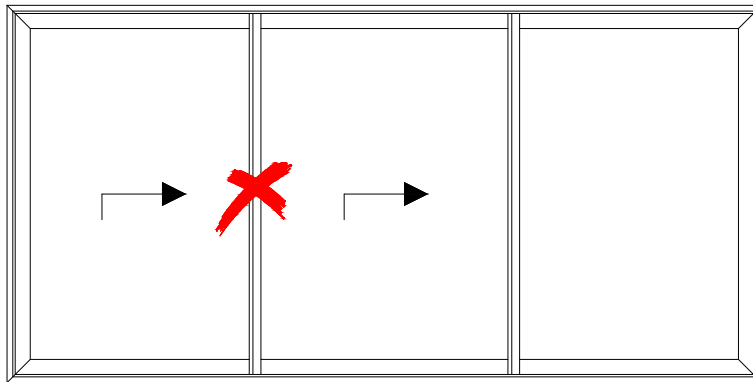
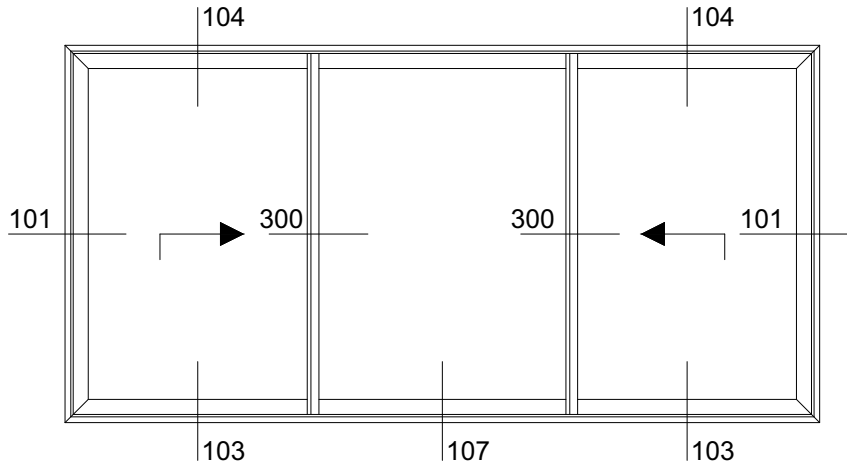
HEFSCHUIF DEUR/ SOULEVEZ-COUILISSANT
HEBESCHIEBETUER / LIFT AND SLIDING DOOR


MaxLight

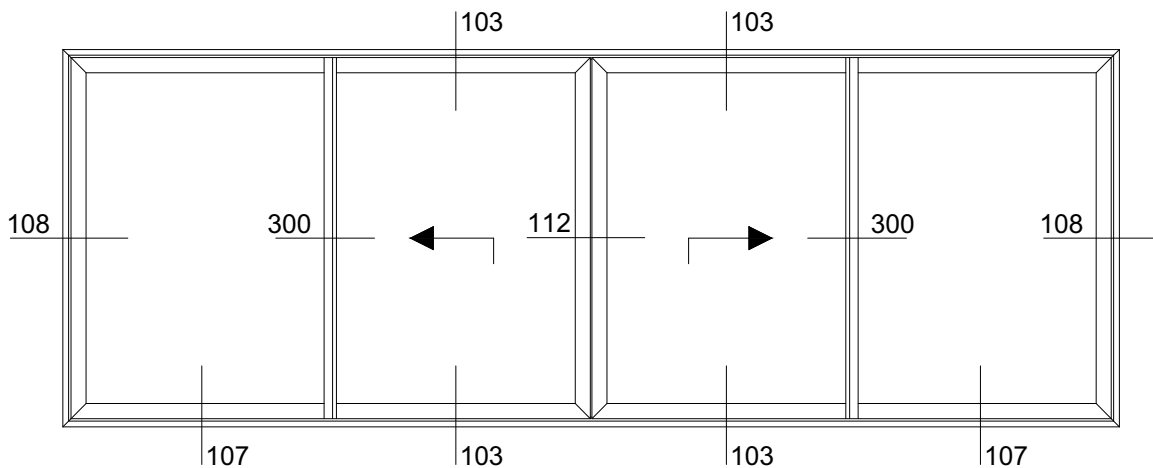


TYPE01 - SLIM - HEF

MaxLight




 MAXLIGHT 3-RAIL HEFSCHUIF NIET MOGELIJK
 MAXLIGHT 3-RAIL COULISSANT SOULEVENT PAS POSSIBLE
 MAXLIGHT 3-RAIL HEBESCHIEBETUER NICHT MOGLICH
 MAXLIGHT 3-RAIL LIFT AND SLIDE NOT POSSIBLE



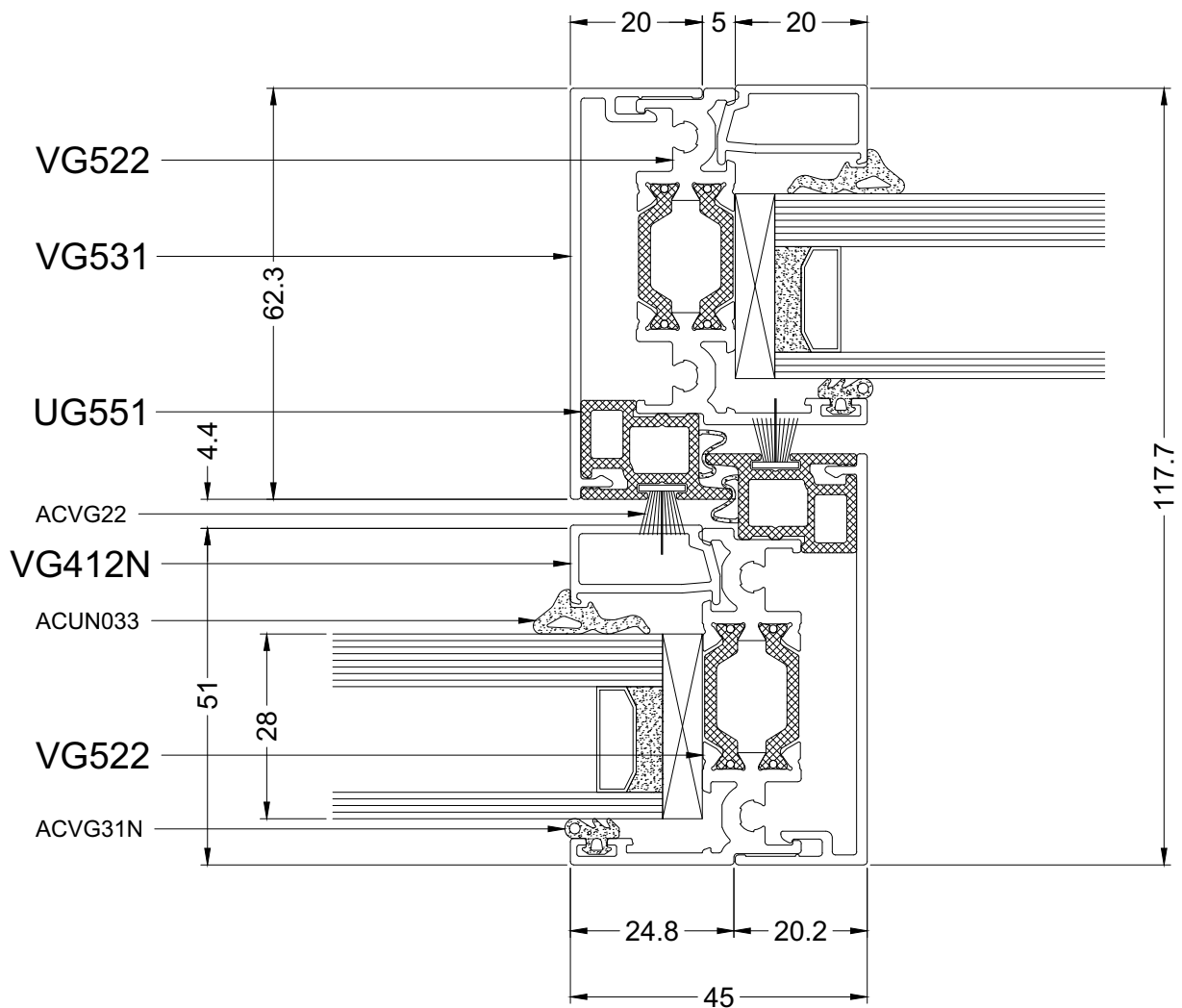
TYPE02 - SLIM - HEF

aliplast
member of



VG500

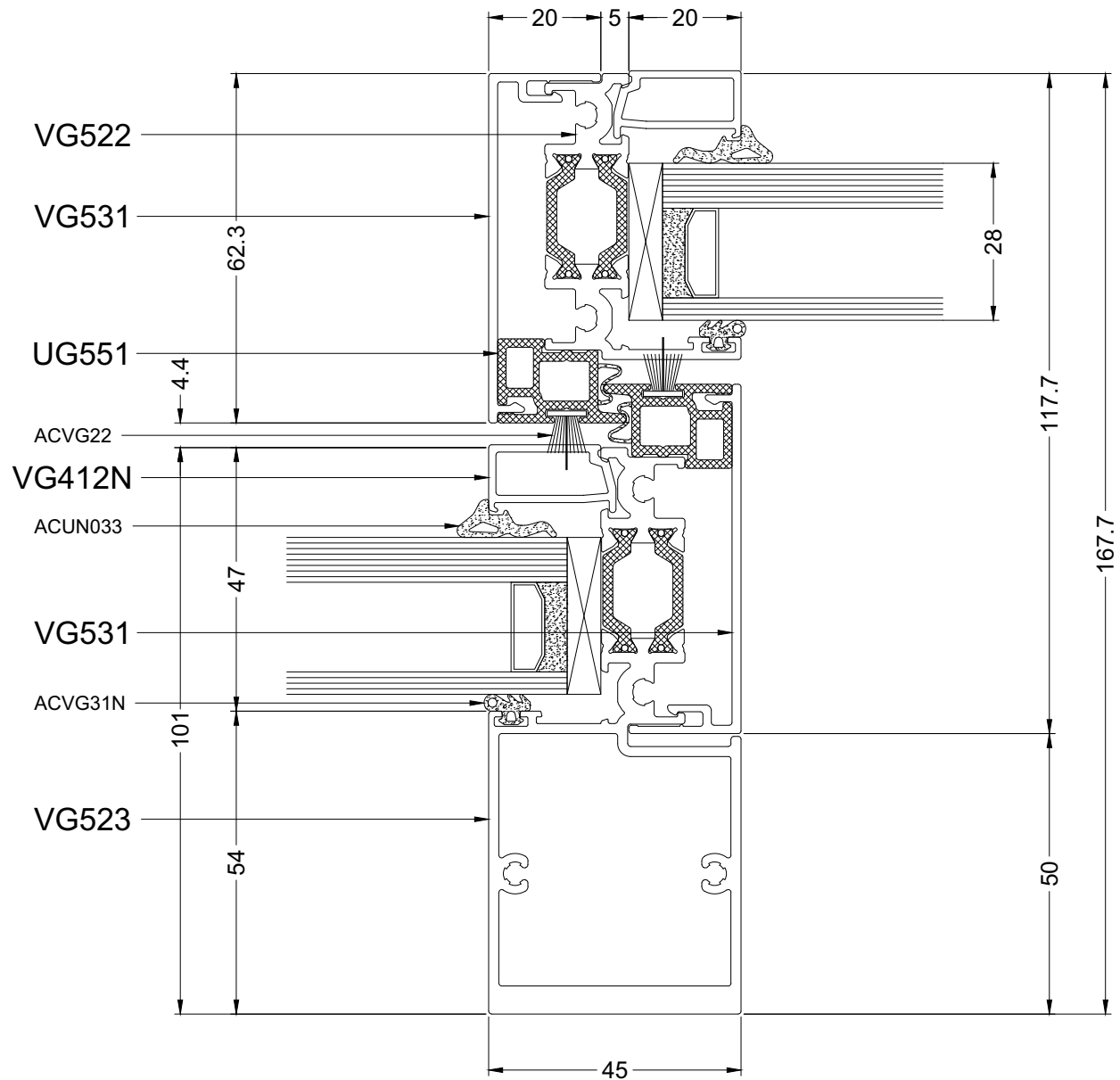
300/301/302



VG522-VG522



300/301



DOORSNEDETEKENINGEN - SECTION DE NOEUDS - PROFILKOMBINATIONEN - SECTION DRAWINGS



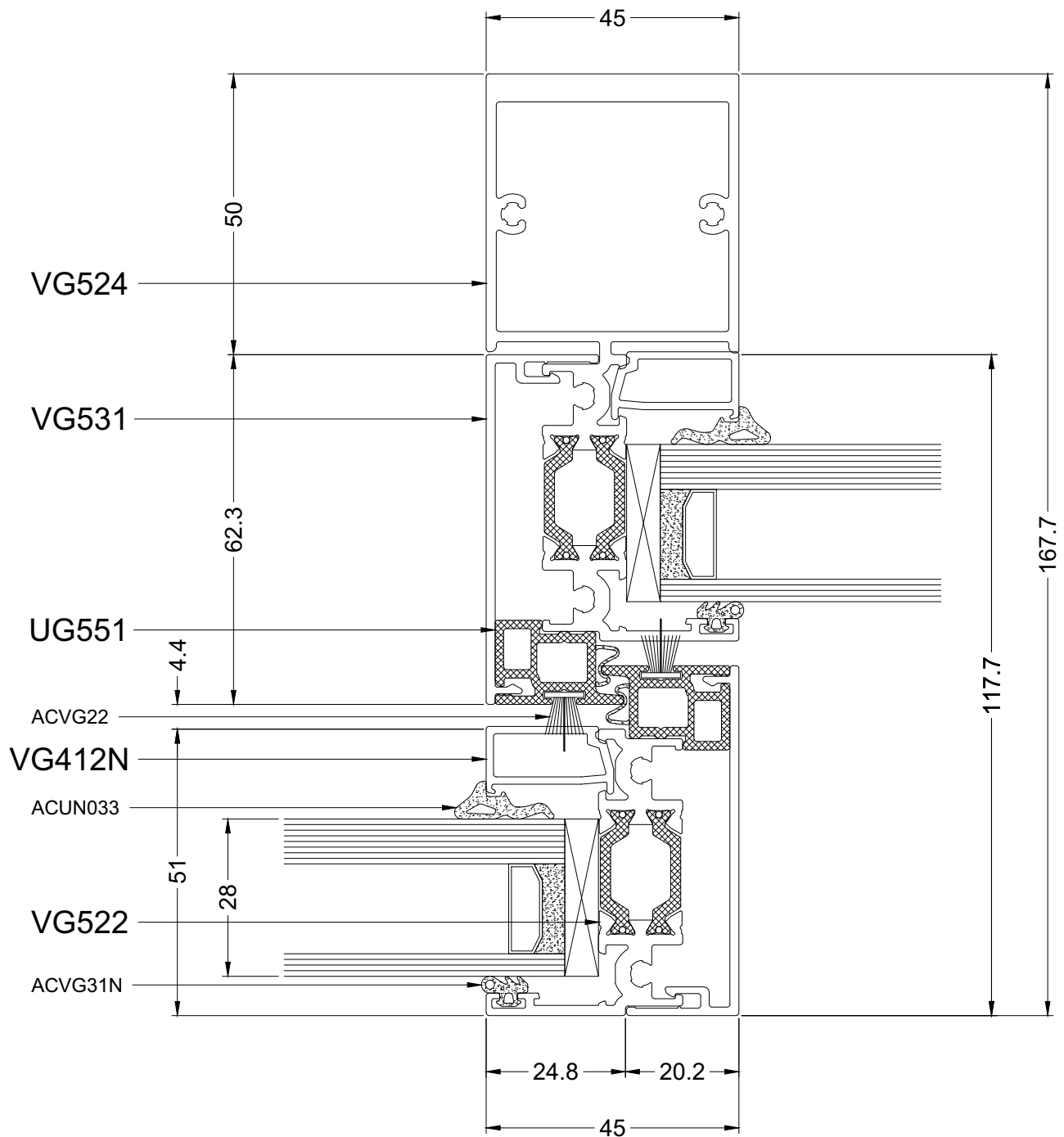
VG522-VG523

aliplast
member of



VG500

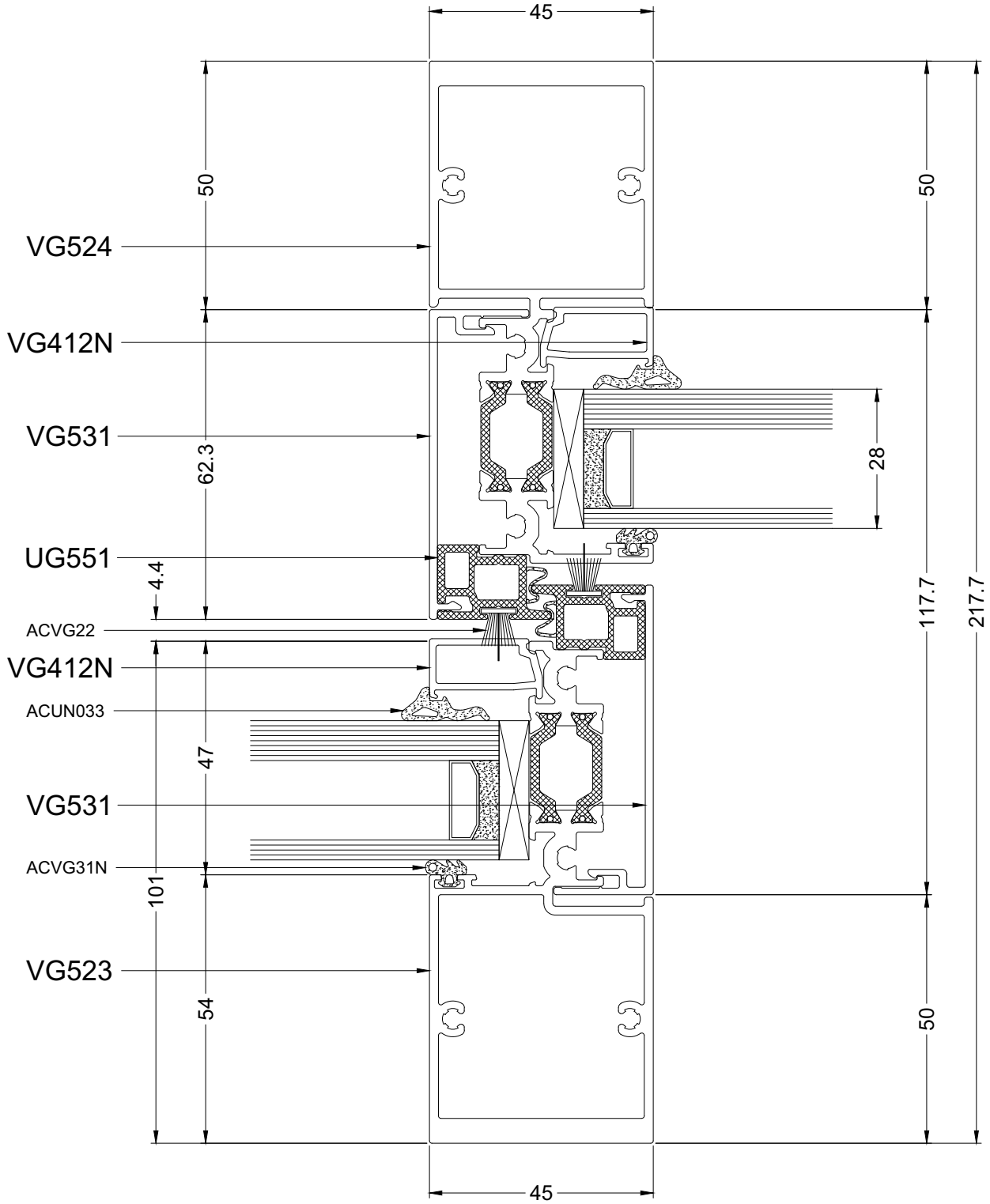
300/302



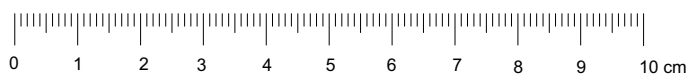
VG522-VG524



300



DOORSNEDETEKENINGEN - SECTION DE NOEUDS - PROFILKOMBINATIONEN - SECTION DRAWINGS



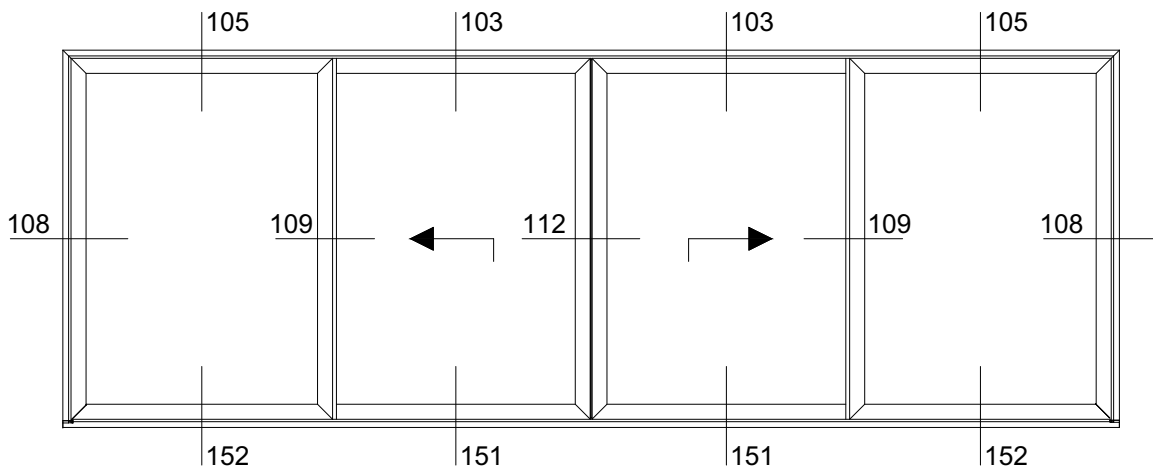
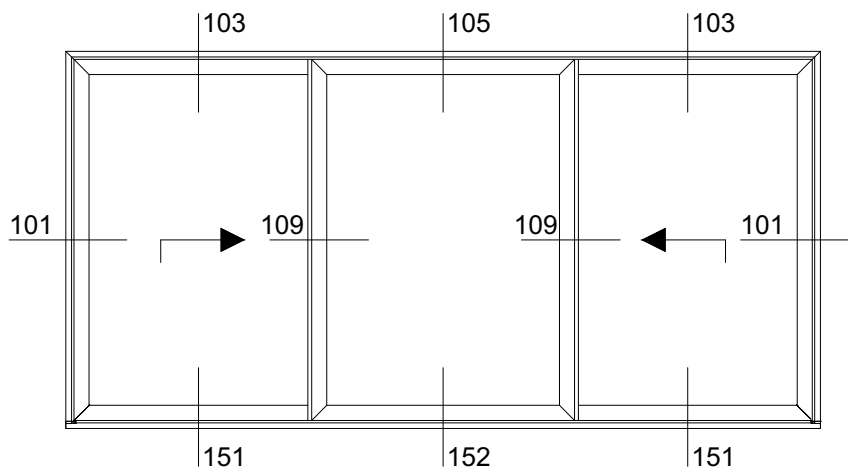
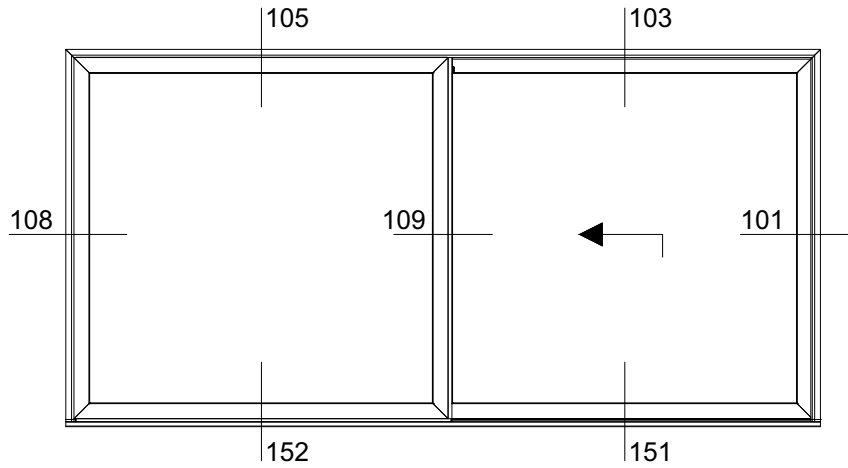
VG523-VG524

aliplast
member of



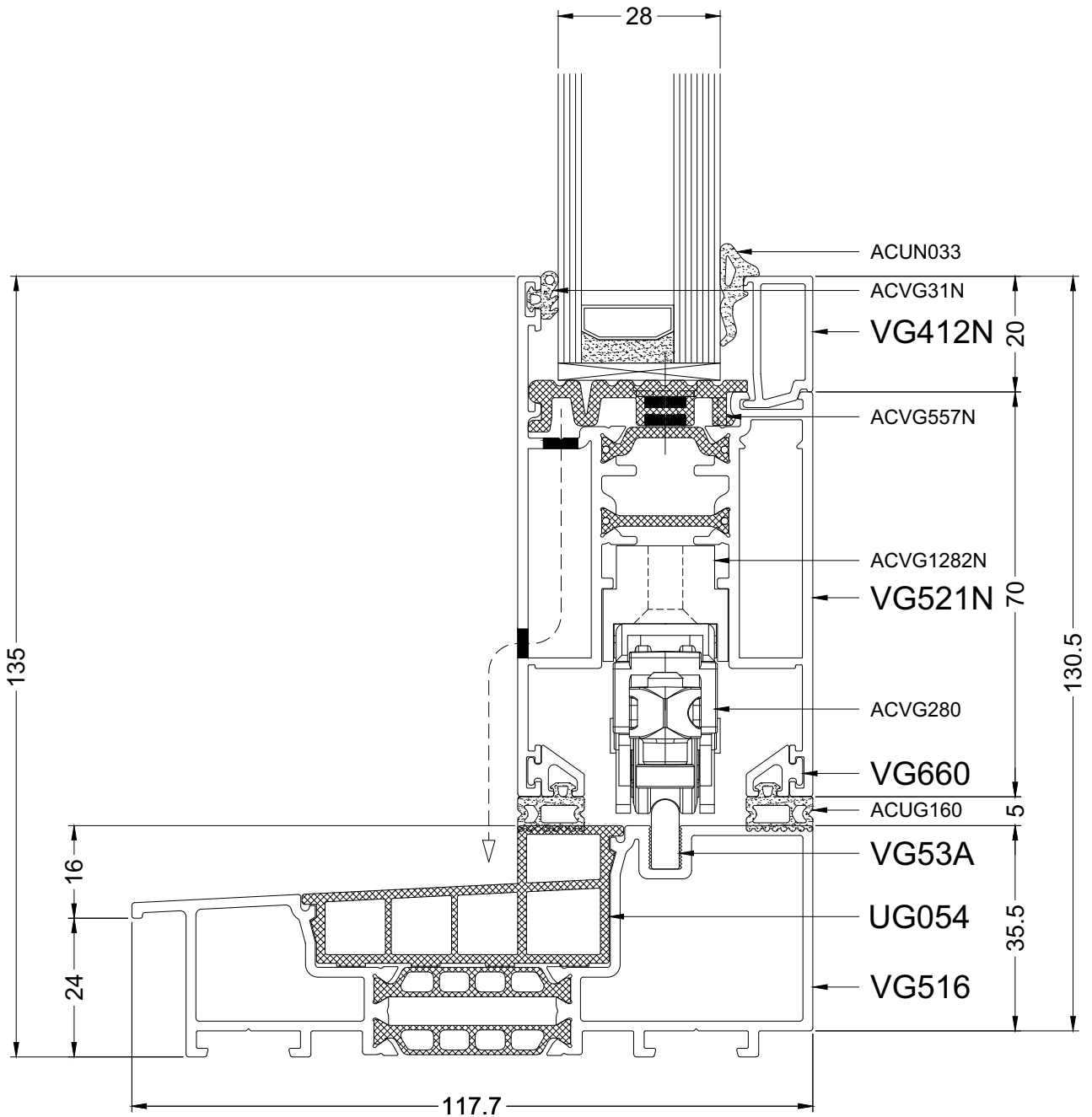
VG500

VLAKKE BODEM / FOND PLAT
FLACHER BODEN / FLAT BOTTOM

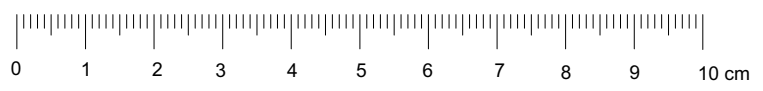


TYPE151

300



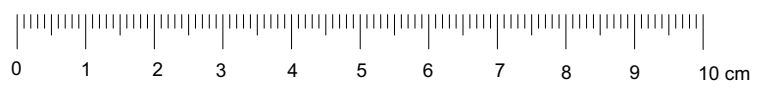
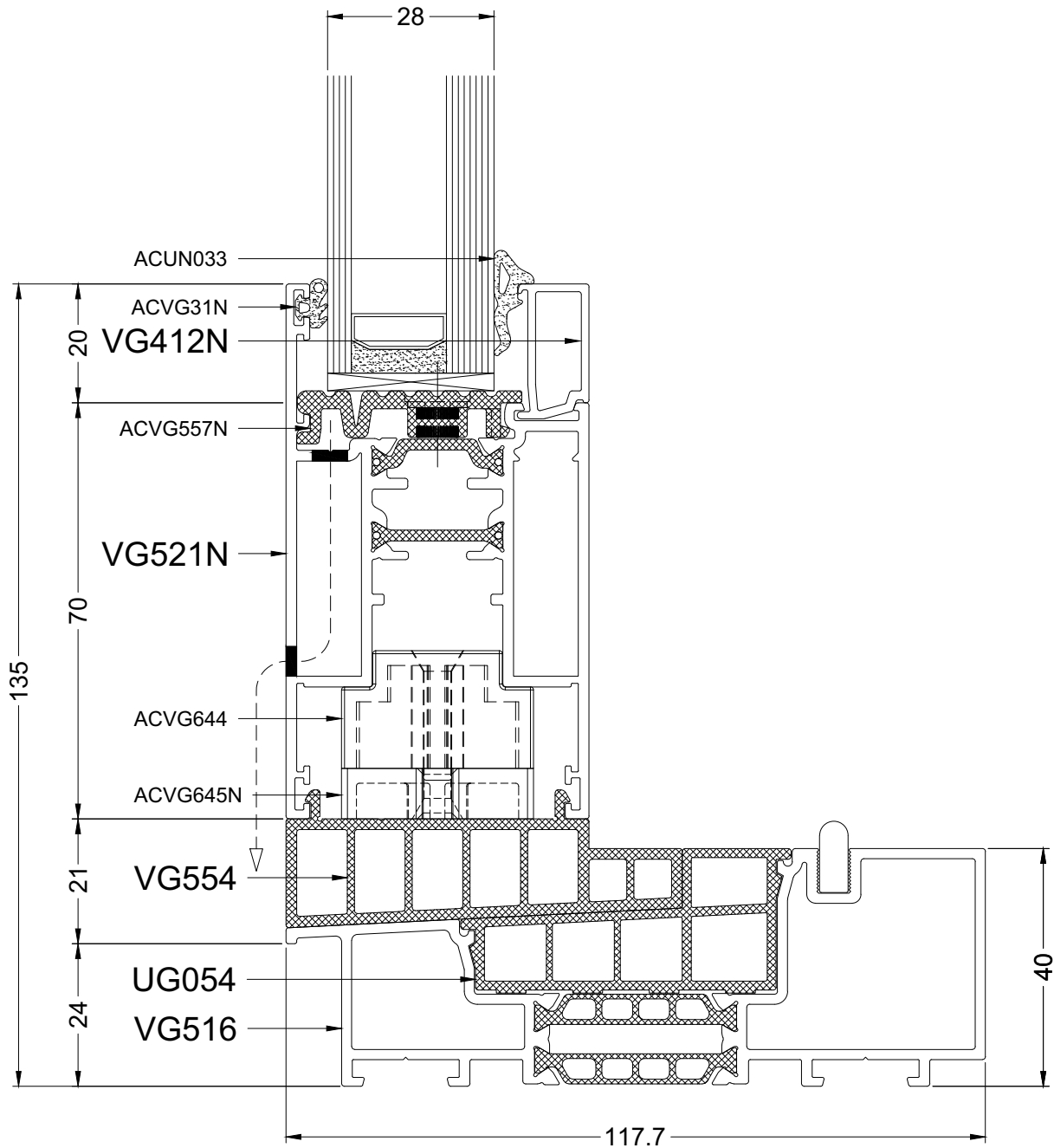
DOORSNEDETEKENINGEN - SECTION DE NOEUDS - PROFILKOMBINATIONEN - SECTION DRAWINGS



(BOTTOM)VG516-VG521N(IN)(LS)

aliplast
member of





(BOTTOM)VG516-VG521N(OUT)(FIX)(LS)

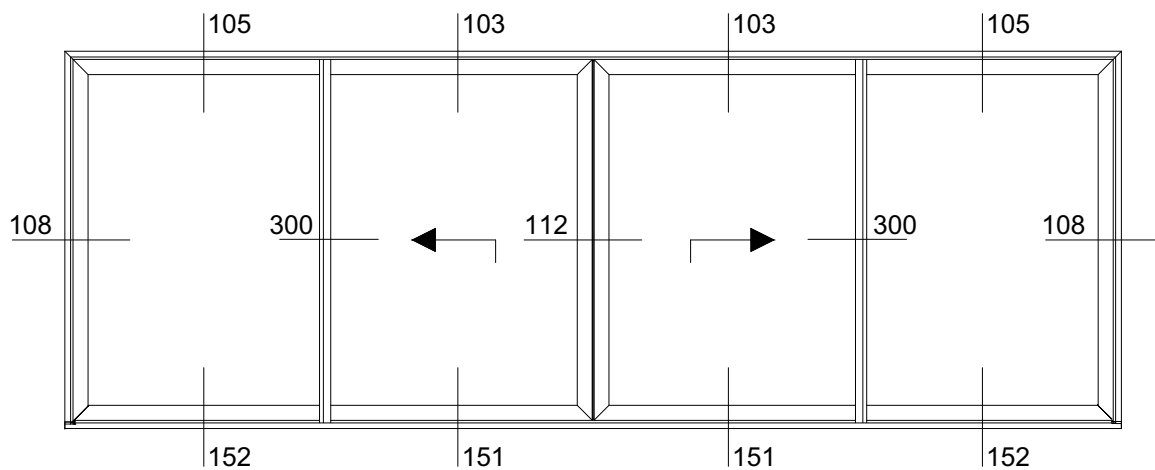
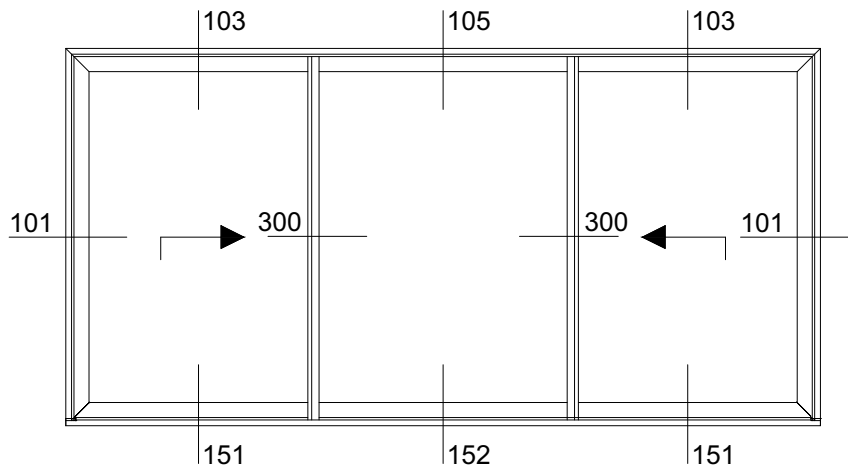
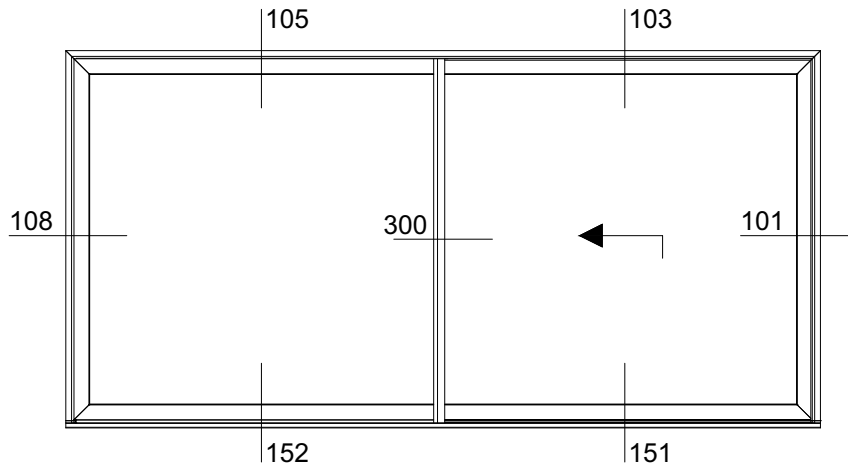
aliplast
member of



VG500

VLAKKE BODEM / FOND PLAT
FLACHER BODEN / FLAT BOTTOM

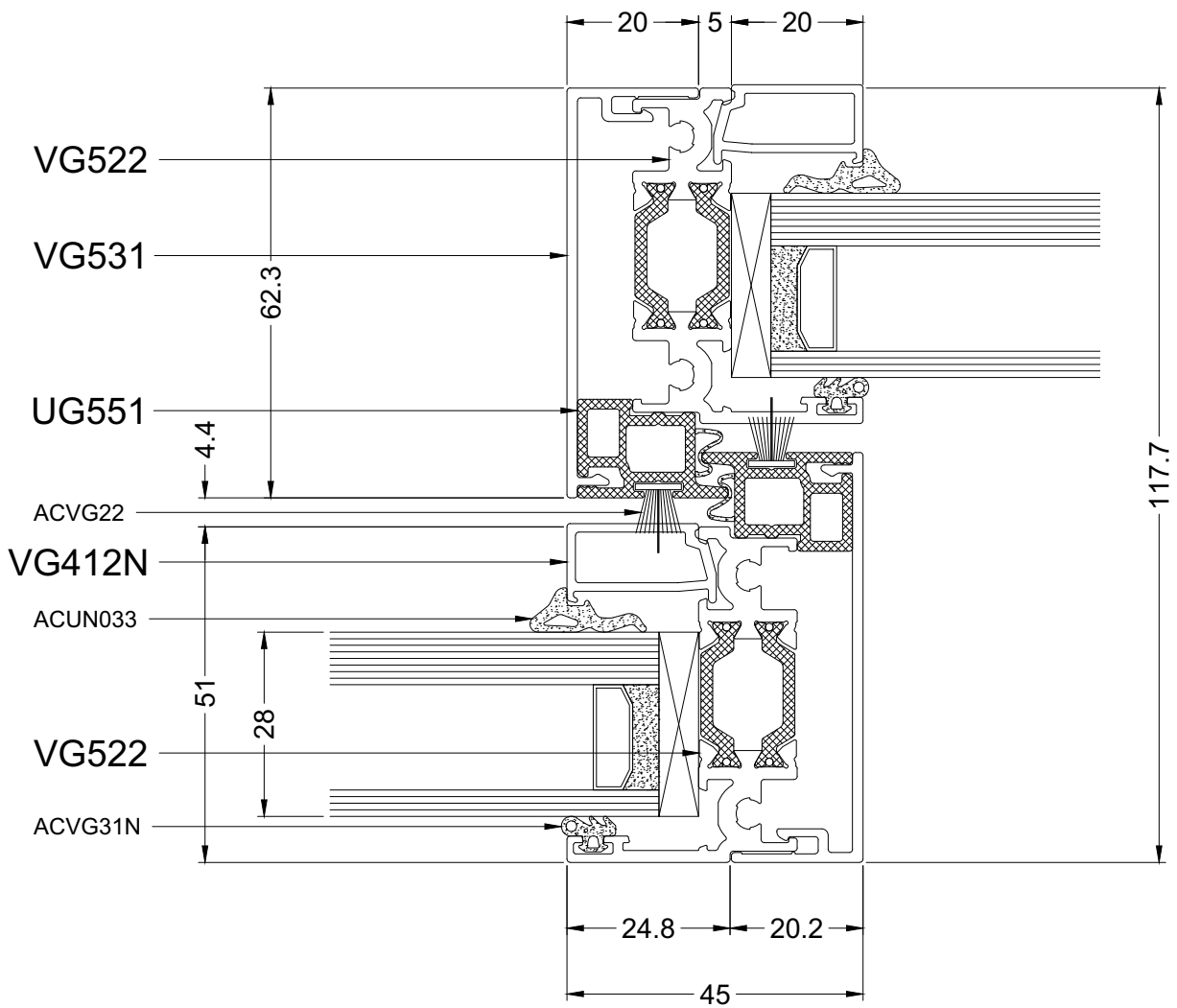
MaxLight



TYPE01 - SLIM - VLAKKE DORPEL

304

300A



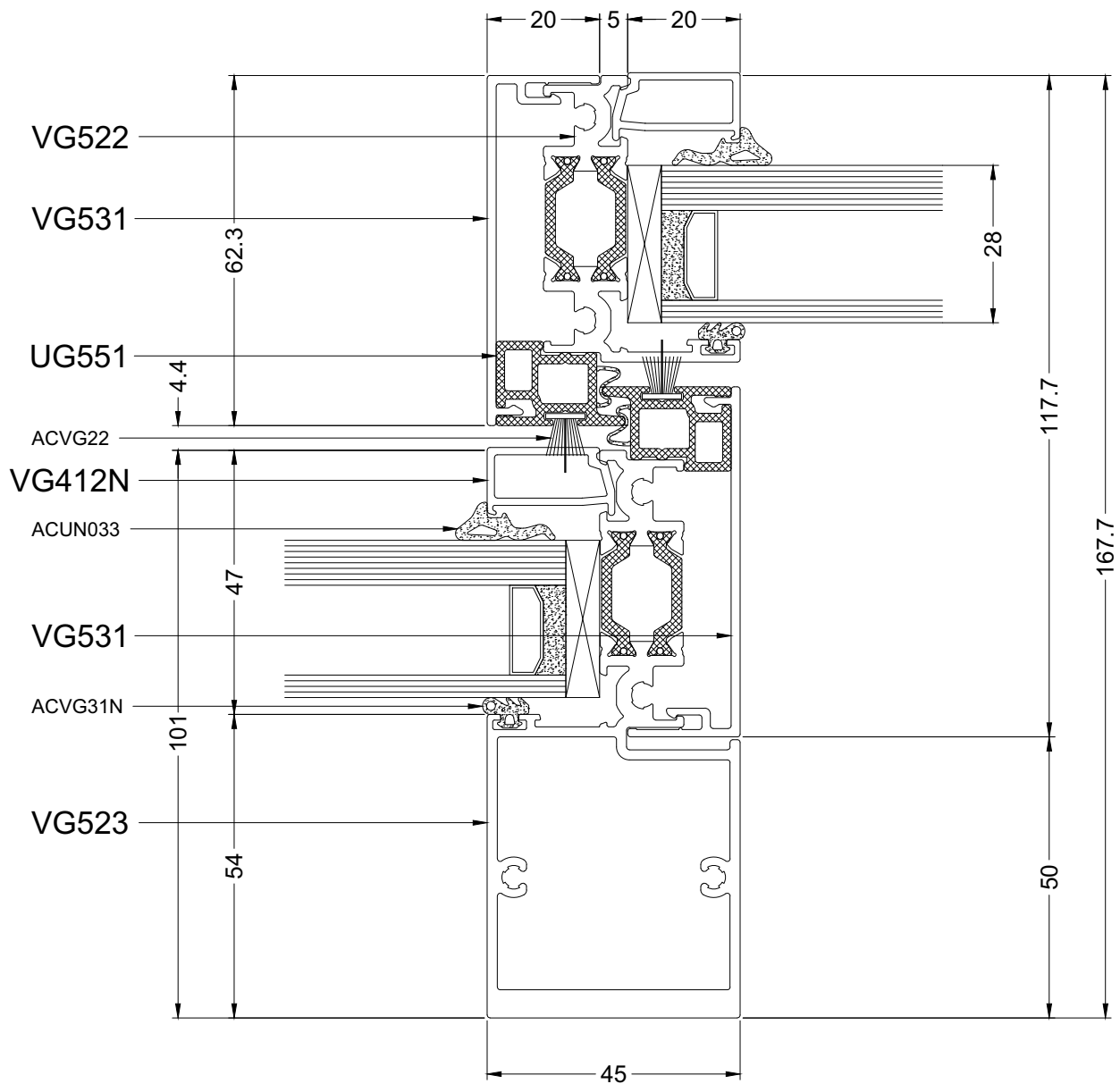
DOORSNEDETEKENINGEN - SECTION DE NOEUDS - PROFILKOMBINATIONEN - SECTION DRAWINGS



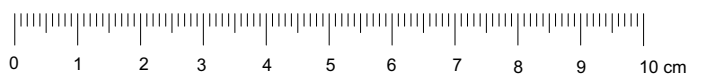
VG522-VG522

VG500

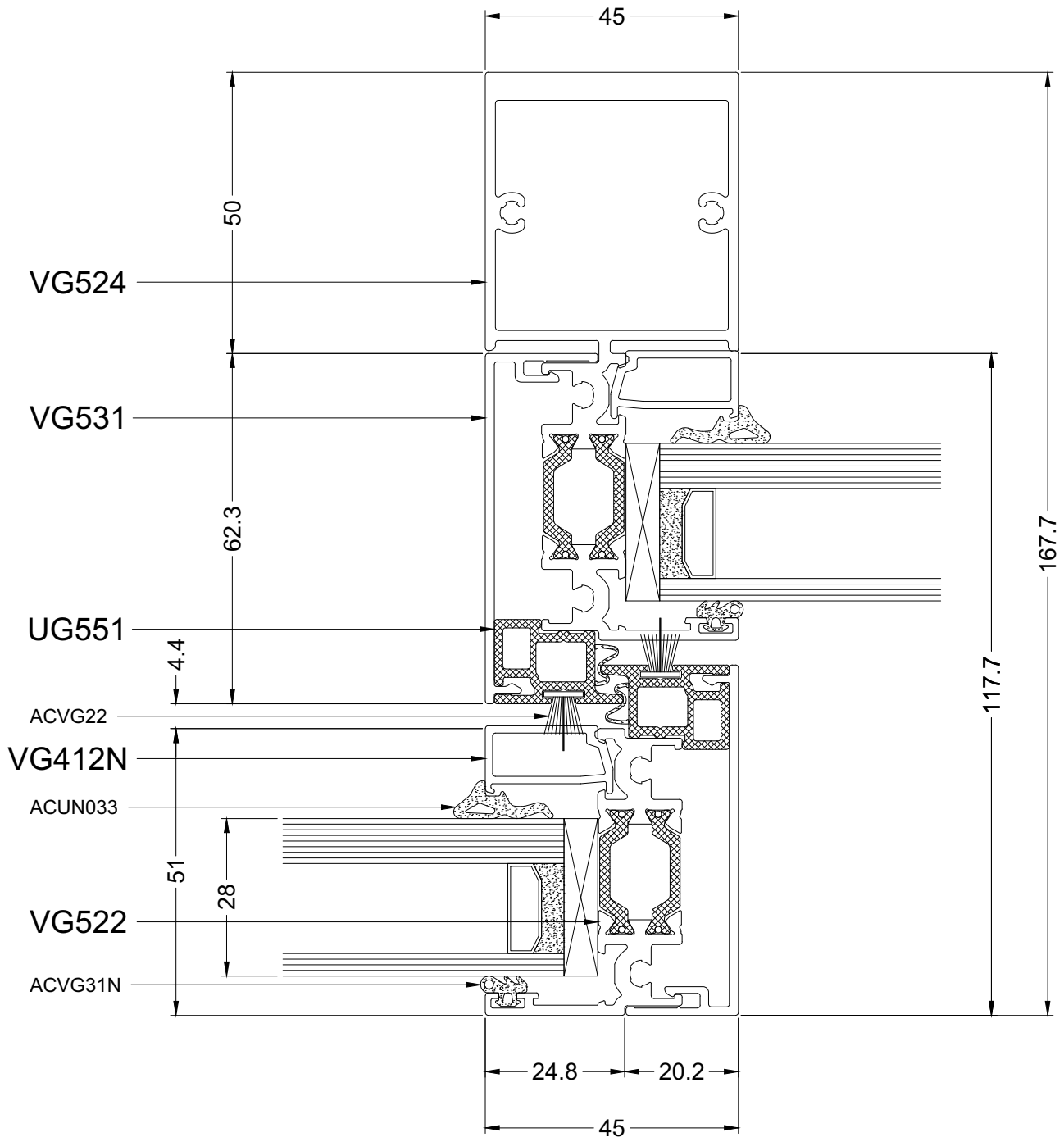
300B



VG522-VG523



300C



DOORSNEDETEKENINGEN - SECTION DE NOEUDS - PROFILKOMBINATIONEN - SECTION DRAWINGS

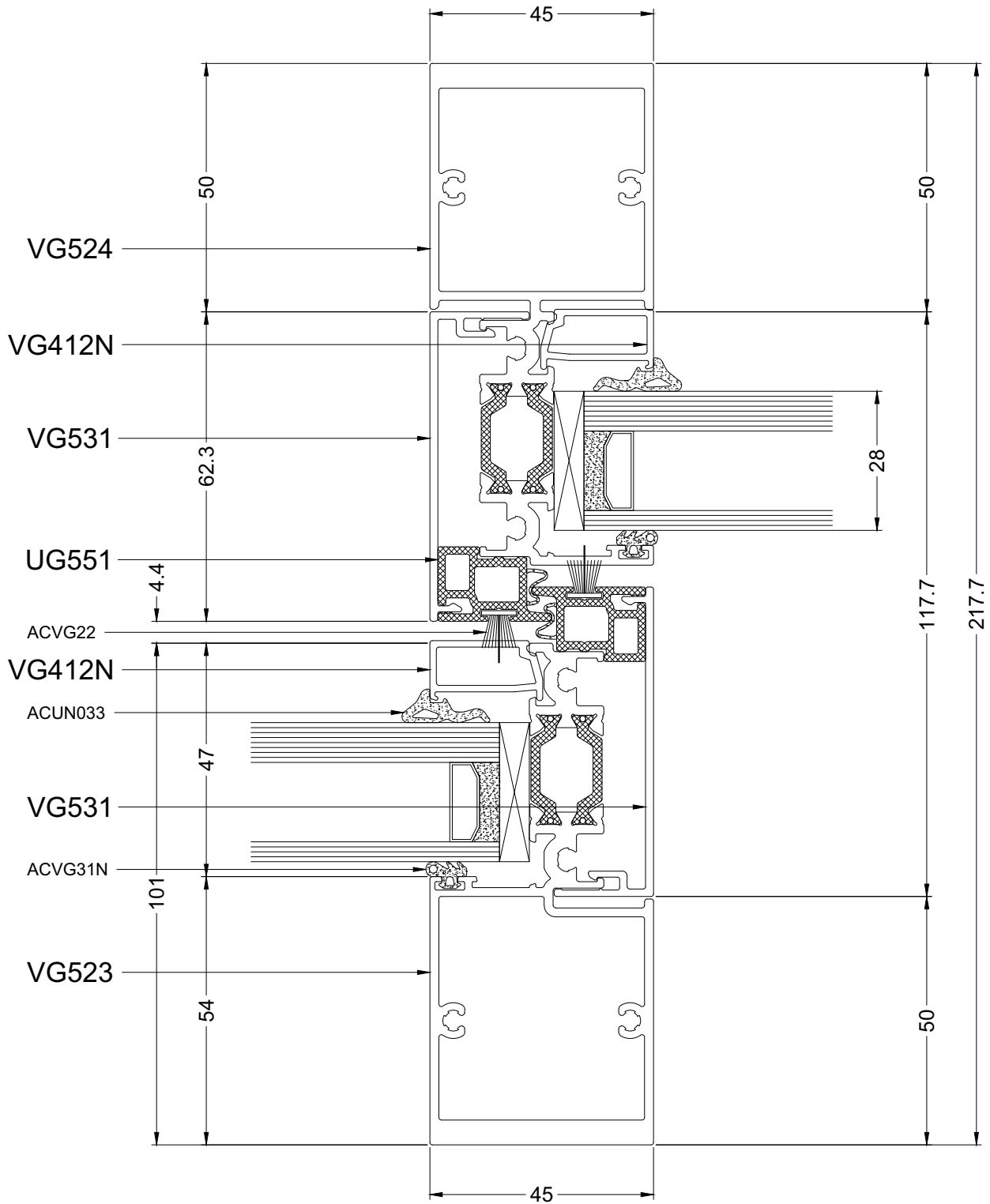
VG522-VG524

aliplast
member of

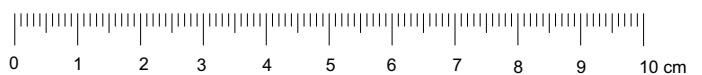


VG500

300D

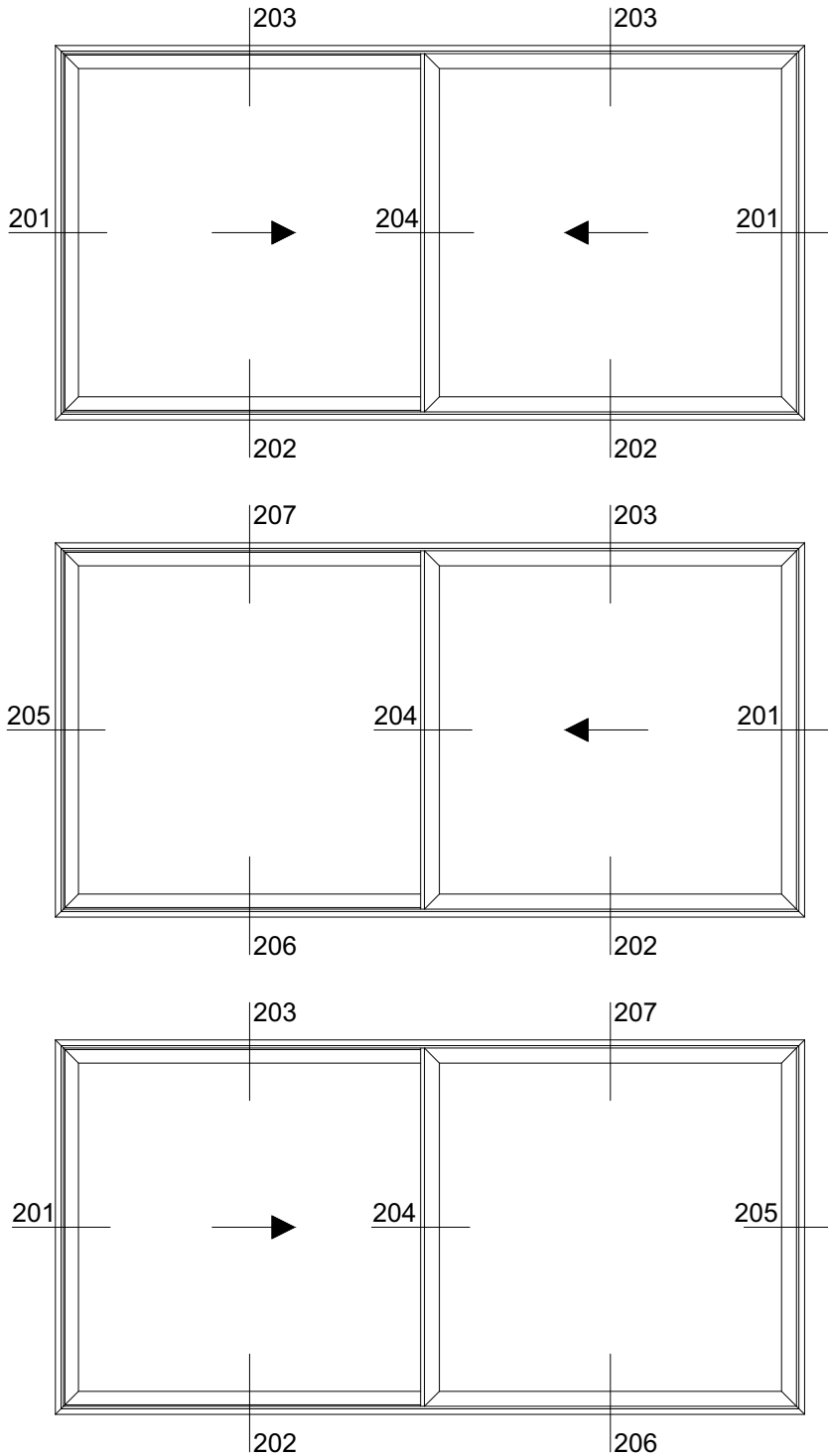


VG523-VG524



308

NIET-GEÏSOLEERDE PROFIELEN / PROFILS NON-ISOLES UNISOLIERTEN PROFIELEN / UNINSULATED PROFILES



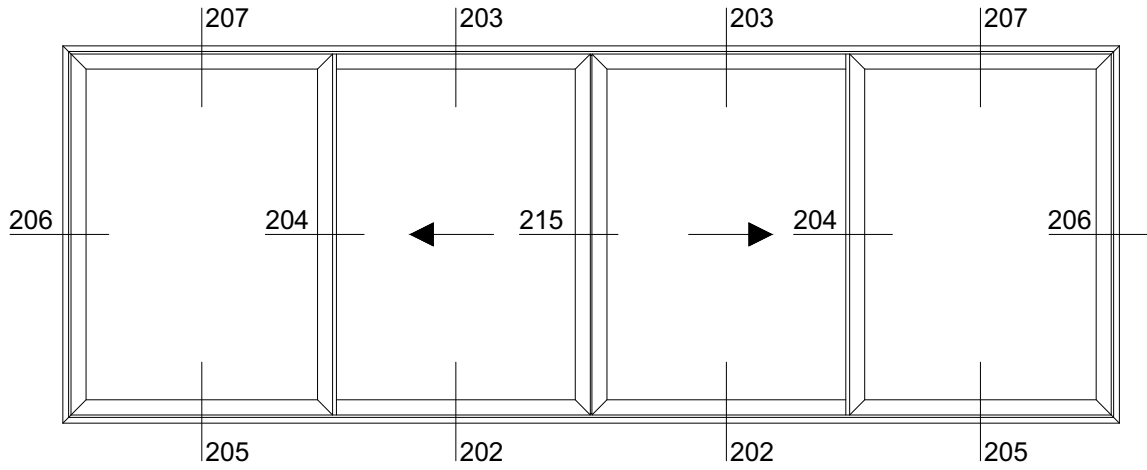
DOORSNEDETEKENINGEN - SECTION DE NOEUDS - PROFILKOMBINATIONEN - SECTION DRAWINGS

TYPE201

aliplast
member of



VG500

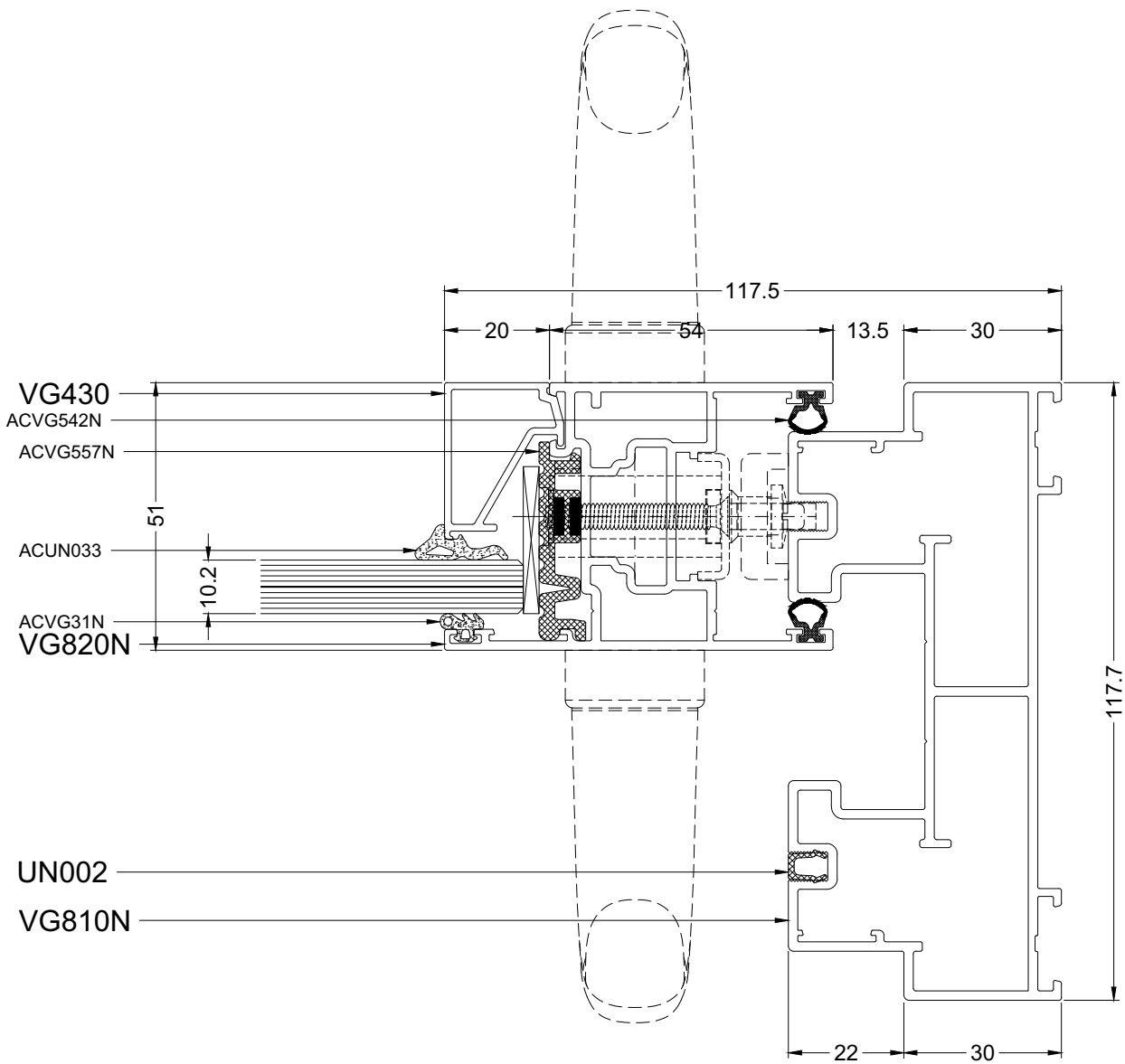


TYPE202

310

201A

| | | |
|------------|--|-----------------------------|
| OVERZICHT |  | ZIE SZ CATALOGUS |
| APERCU | | VOIR LE CATALOGUE SZ |
| OVERVIEW | | SEE SZ CATALOG |
| UEBERSICHT | | SIEHE SZ KATALOG |



(SIDE)VG810N-VG820N(IN)

aliplast
member of

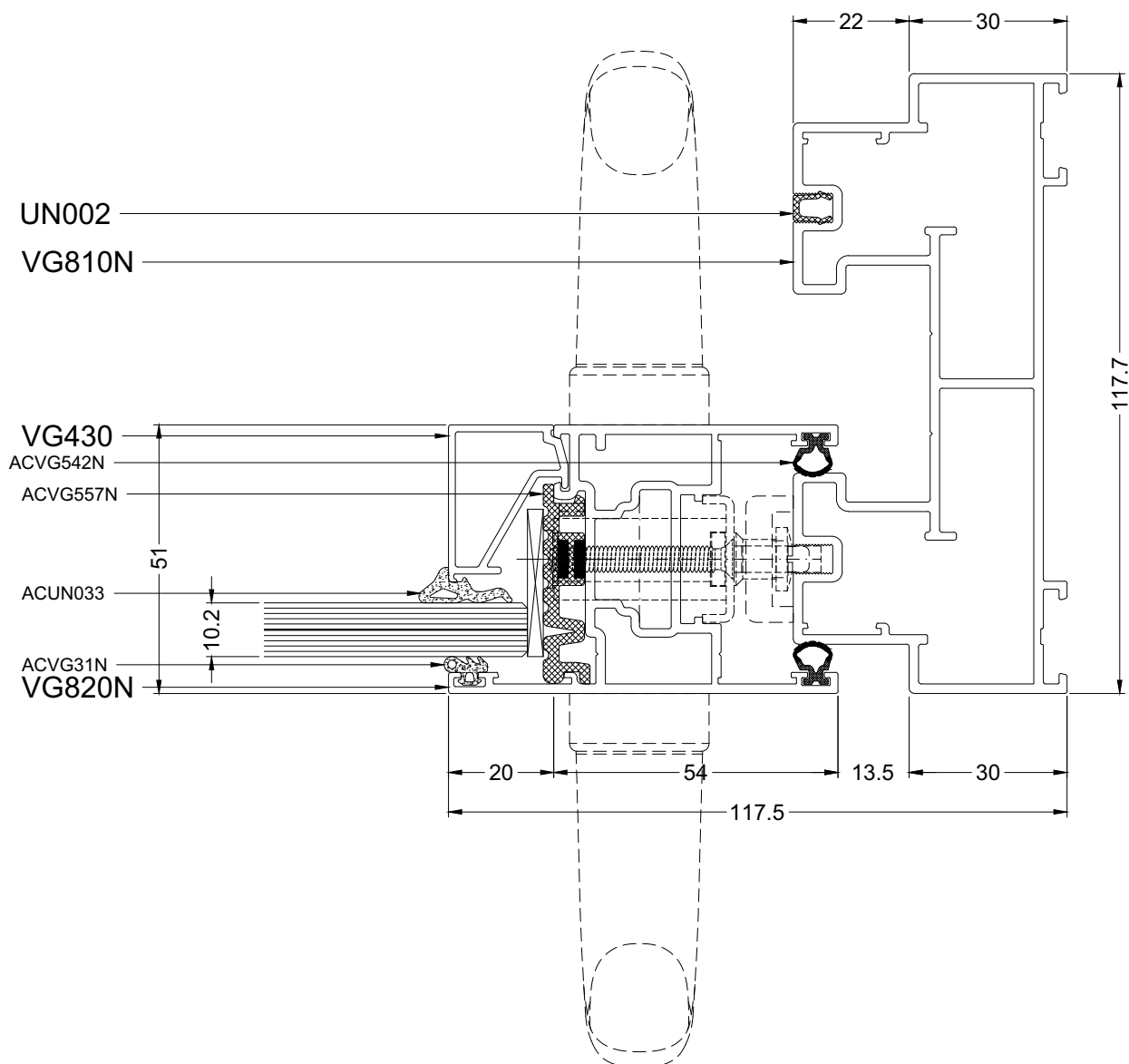


DOORSNEDETEKENINGEN - SECTION DE NOEUDS - PROFILKOMBINATIONEN - SECTION DRAWINGS

VG500

201B

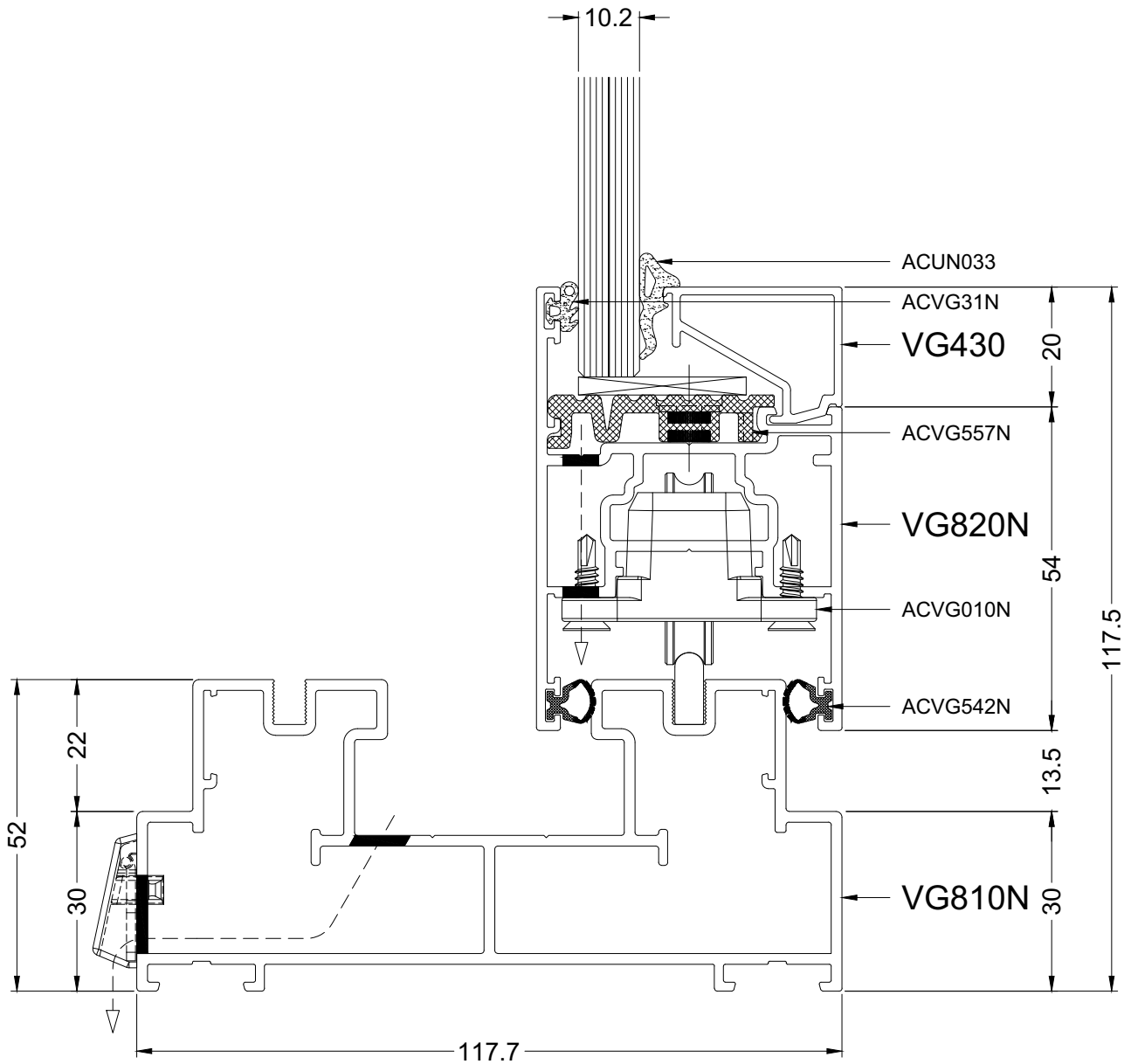
| | | |
|------------|--|-----------------------------|
| OVERZICHT | | ZIE SZ CATALOGUS |
| APERCU | | VOIR LE CATALOGUE SZ |
| OVERVIEW | | SEE SZ CATALOG |
| UEBERSICHT | | SIEHE SZ KATALOG |



(SIDE)VG810N-VG820N(OUT)



202A



DOORSNEDETEKENINGEN - SECTION DE NOEUDS - PROFILKOMBINATIONEN - SECTION DRAWINGS



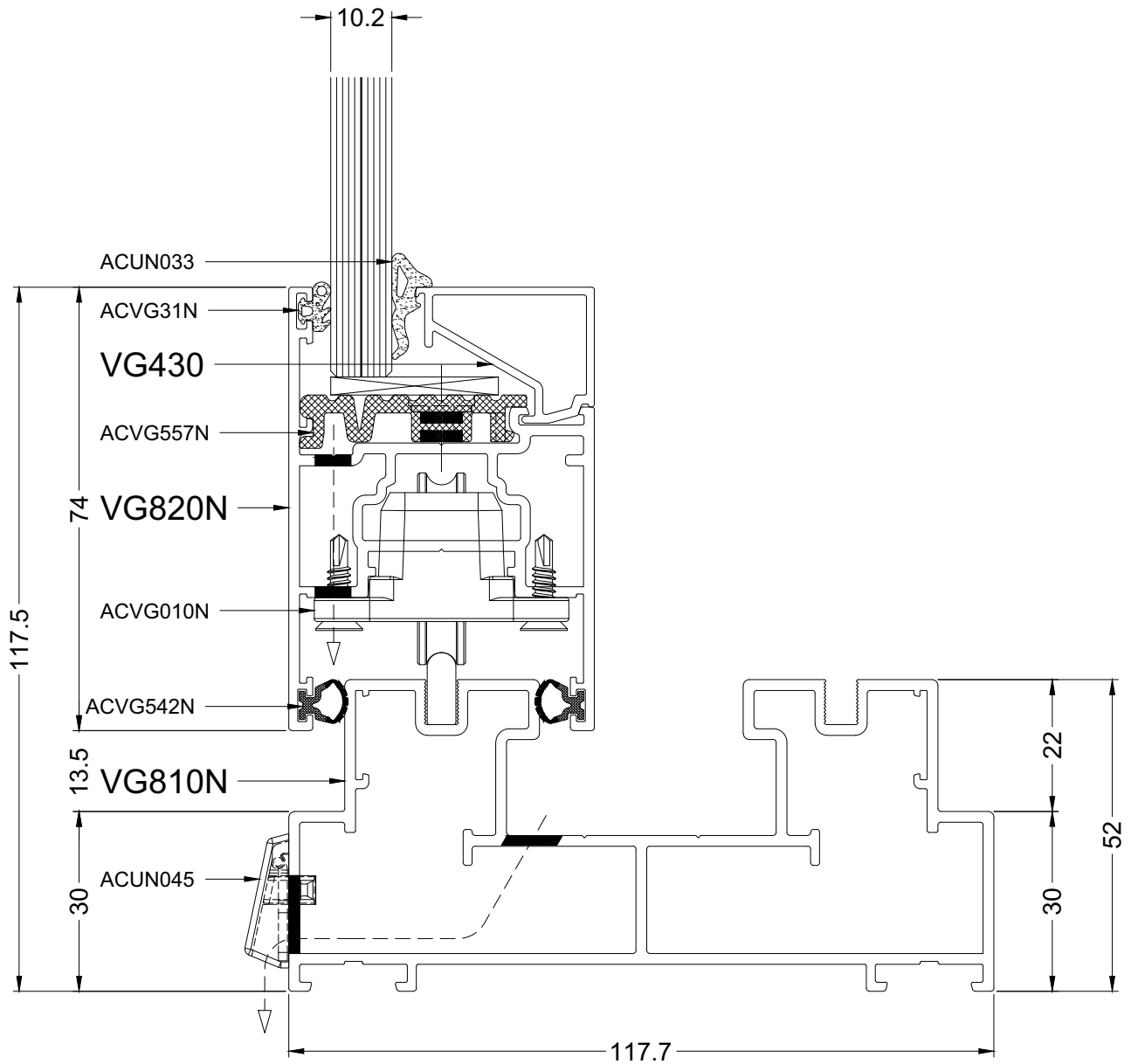
(BOTTOM)VG810N-VG820N(IN)

aliplast
member of



VG500

202B

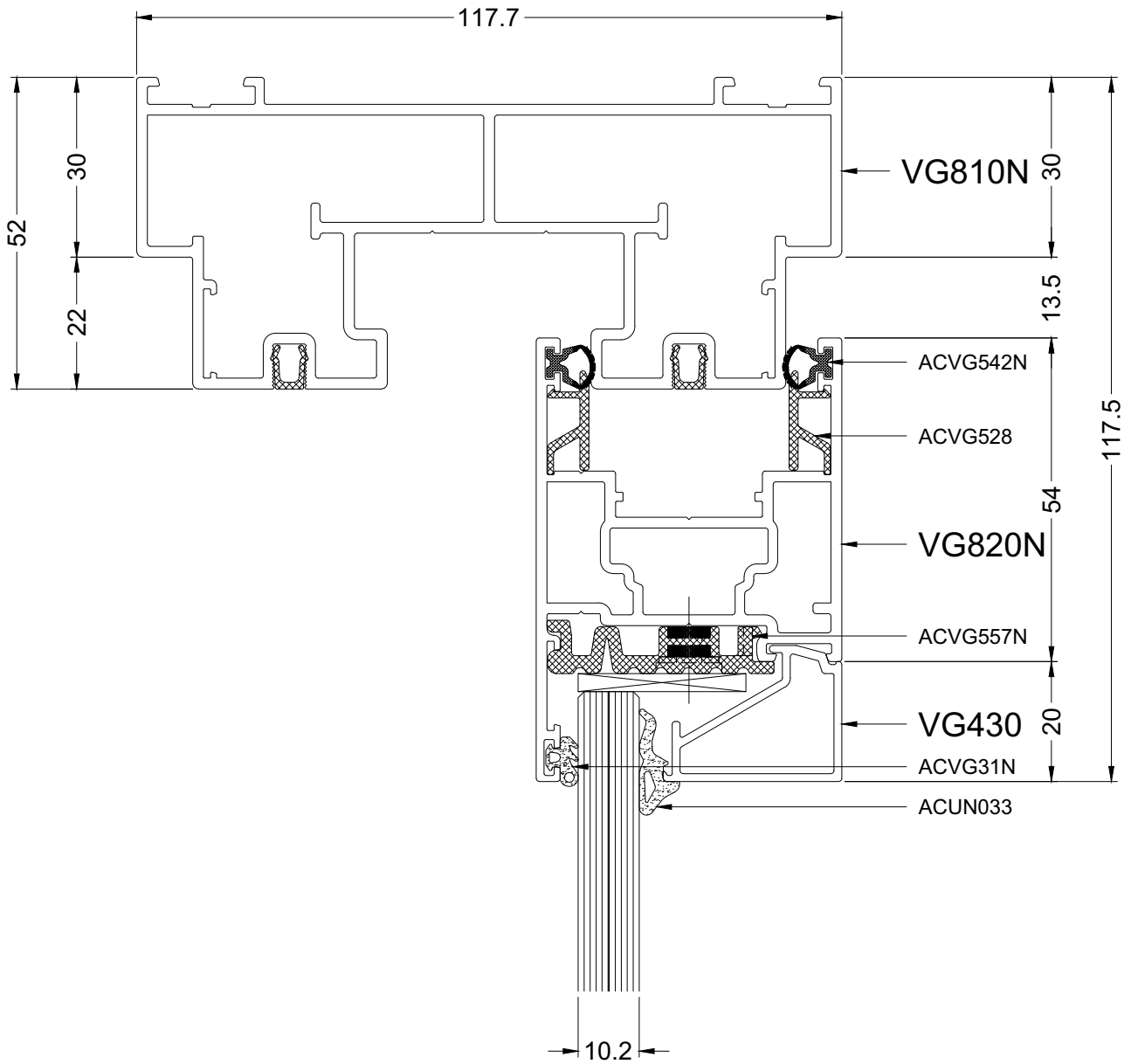


(BOTTOM)VG820N-VG820N(OUT)



314

203A



DOORSNEDETEKENINGEN - SECTION DE NOEUDS - PROFILKOMBINATIONEN - SECTION DRAWINGS



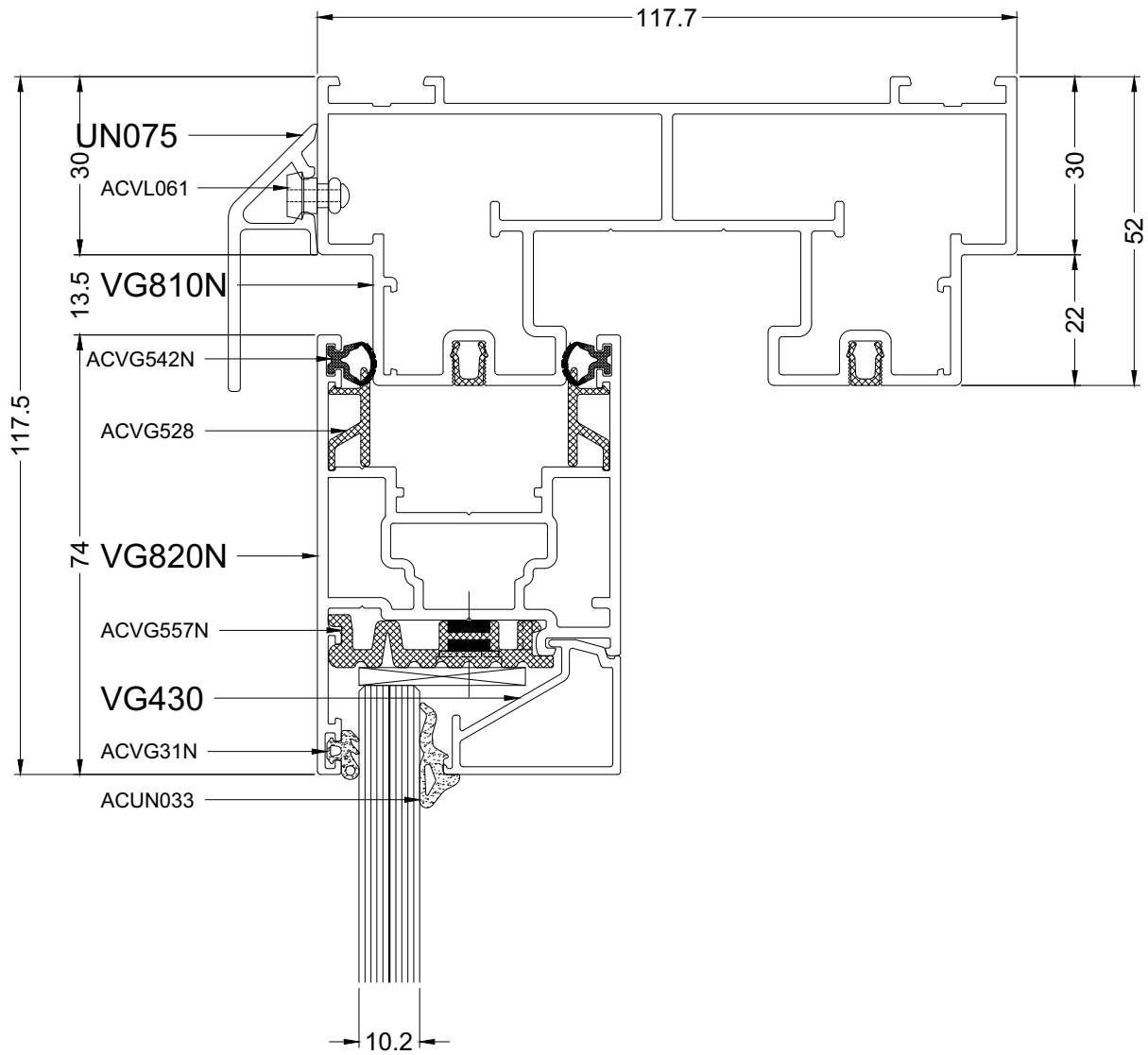
(TOP)VG810N-VG820N(IN)

aliplast
member of



VG500

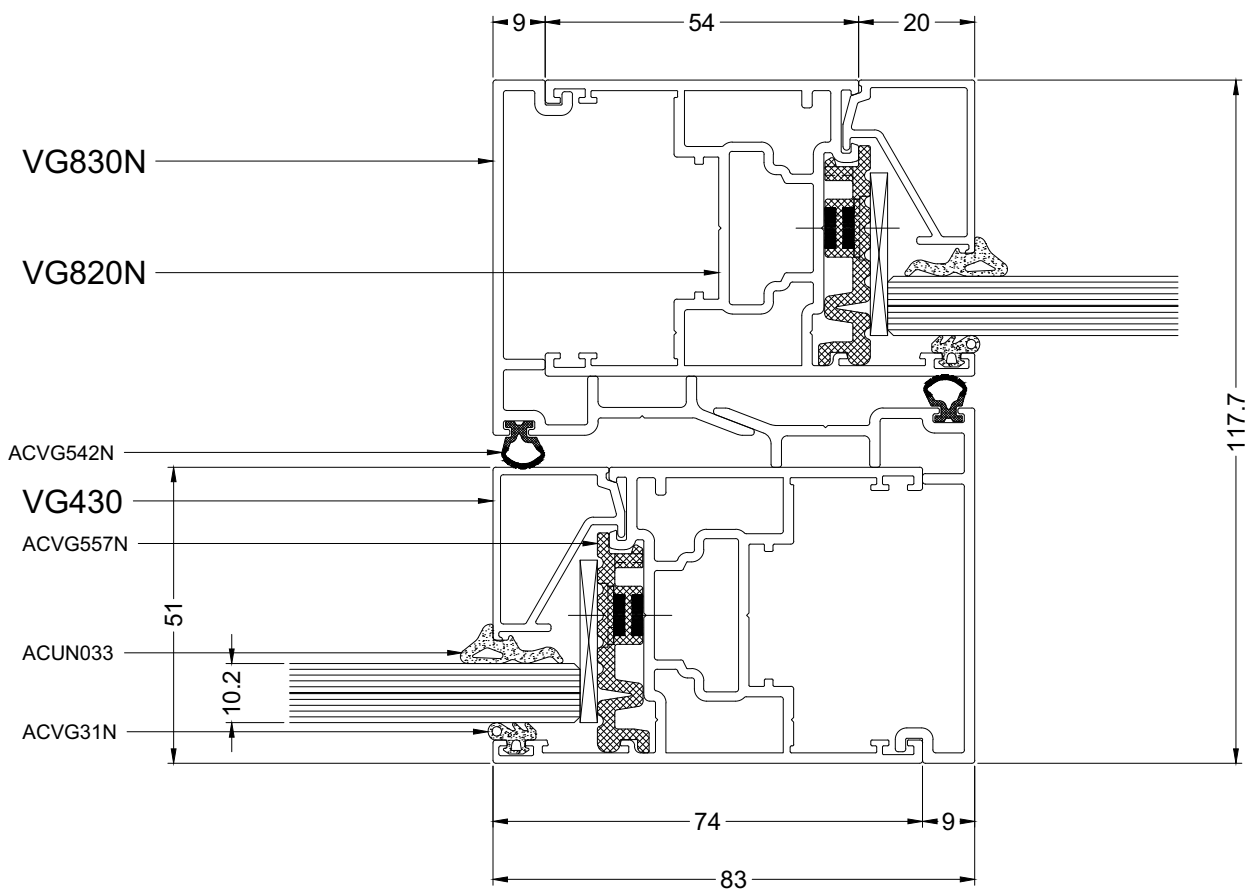
203B



(TOP)VG810N-VG820N(OUT)



316



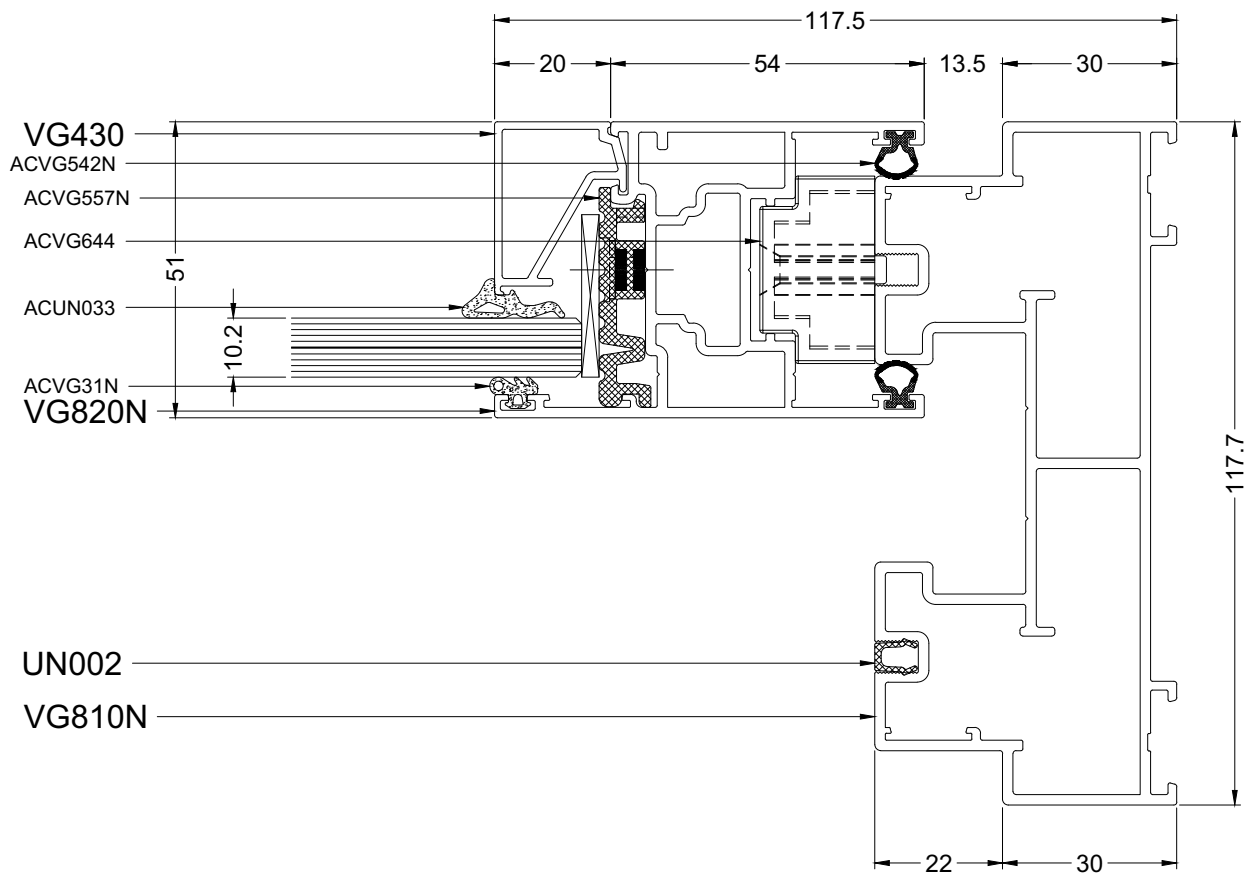
(VG830N)-VG820N-VG820N(VG830N)

aliplast
member of

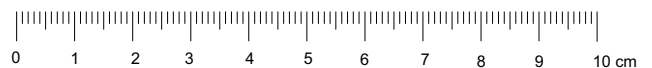


VG500

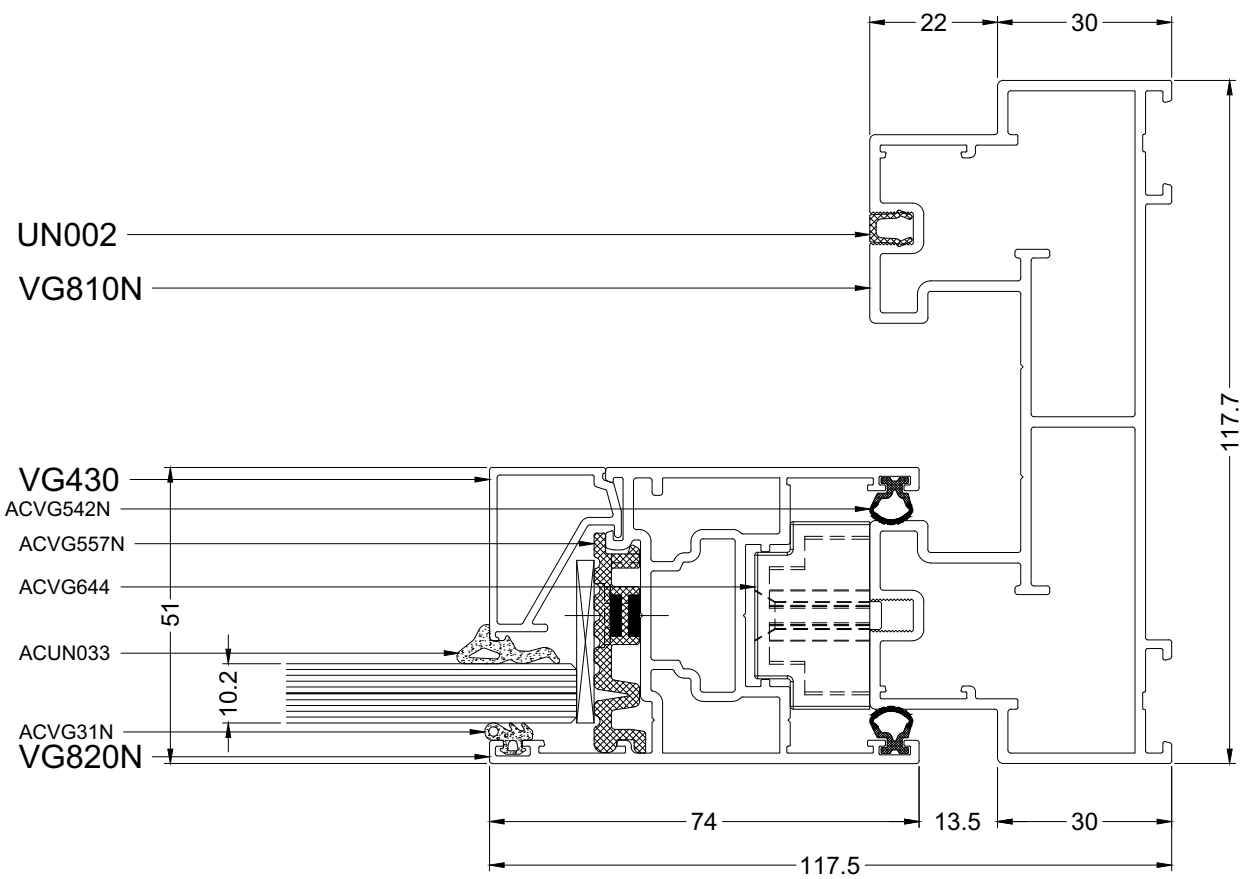
205



(SIDE)VG810N-VG820N(IN)(FIX)



318



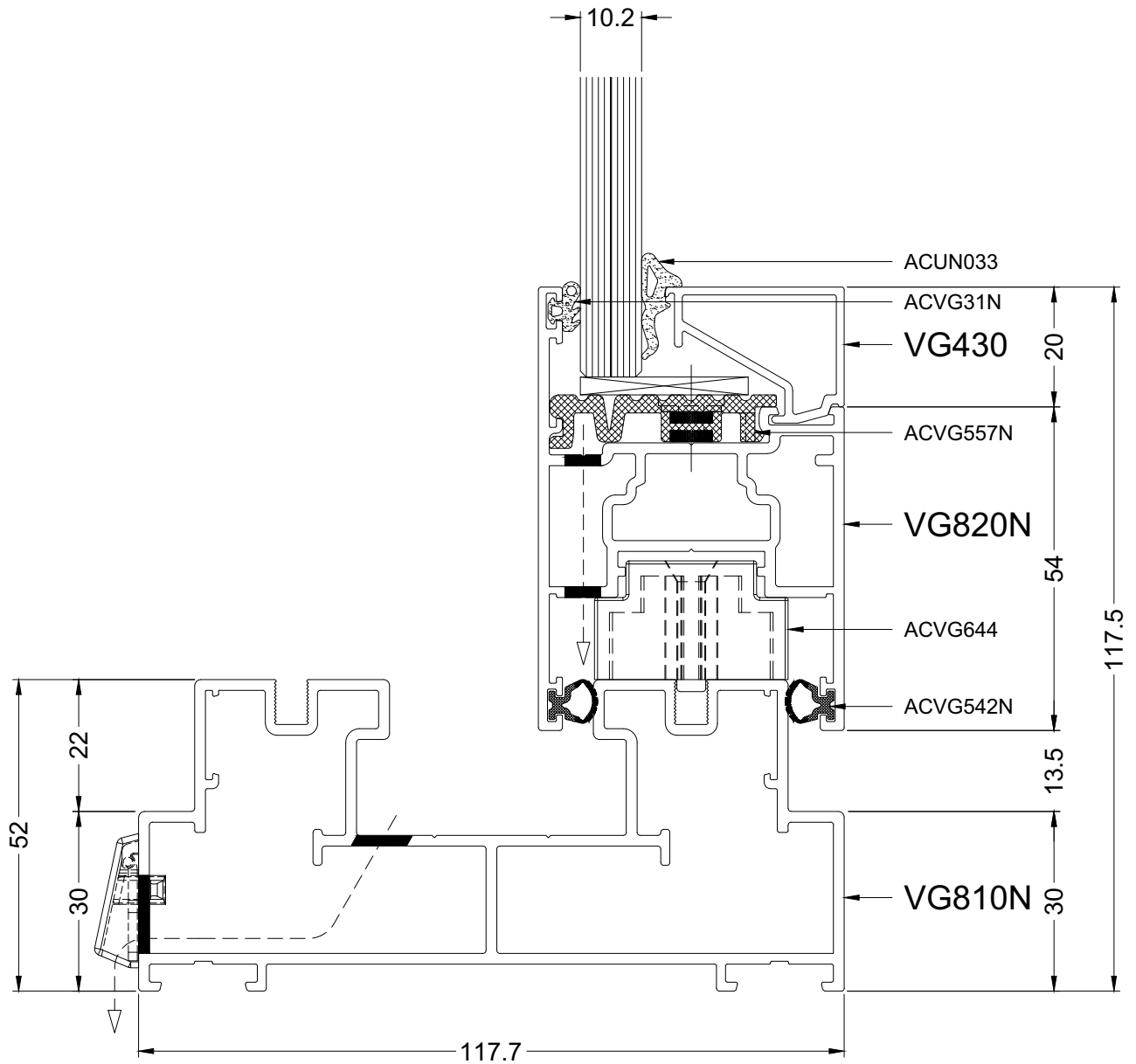
DOORSNEDETEKENINGEN - SECTION DE NOEUDS - PROFILKOMBINATIONEN - SECTION DRAWINGS



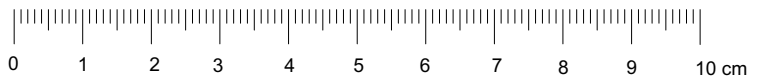
(SIDE)VG810N-VG820N(OUT)(FIX)

VG500

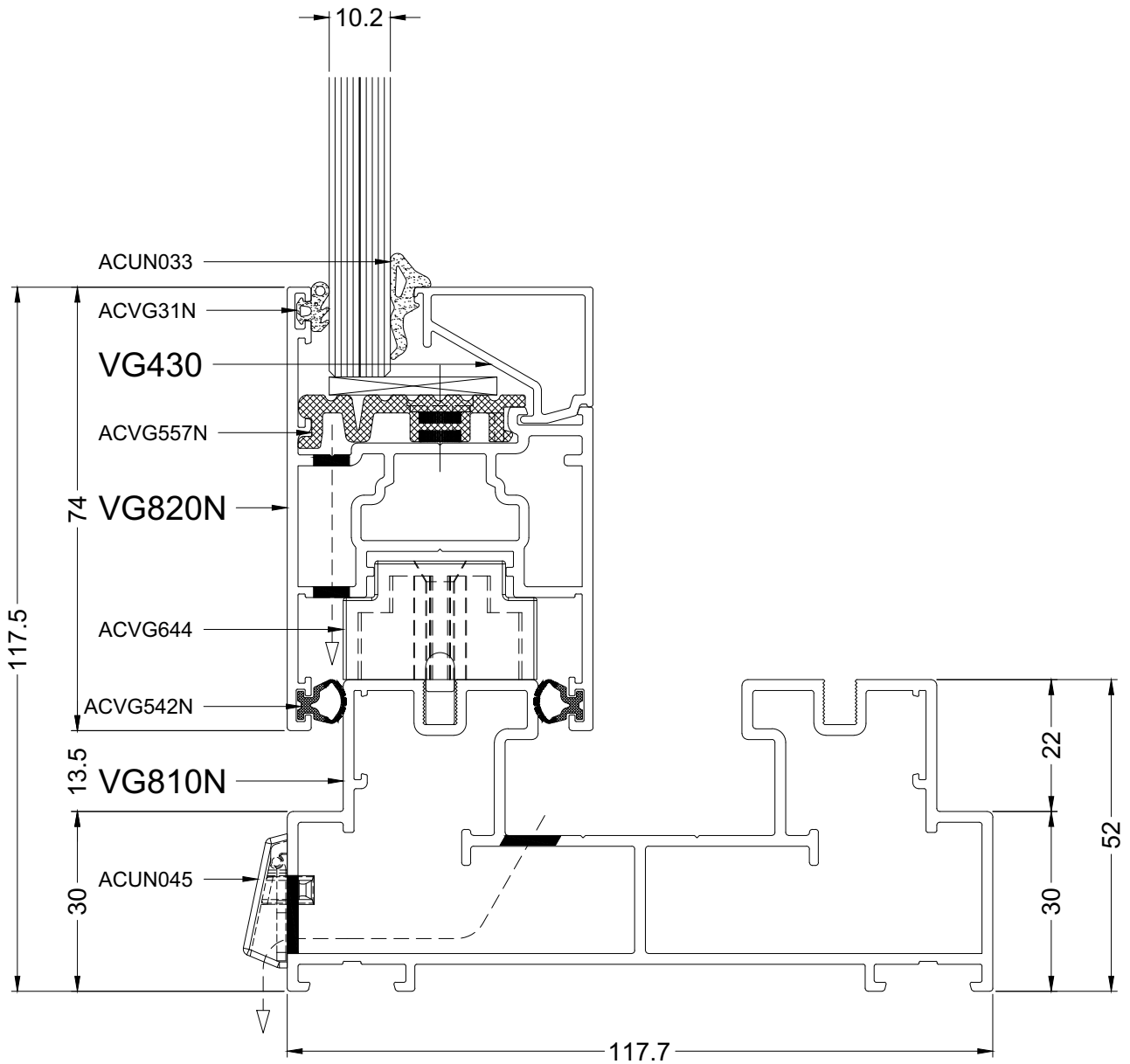
206



(BOTTOM)VG810N-VG820N(IN)(FIX)



320



(BOTTOM)VG820N-VG820N(OUT)(FIX)

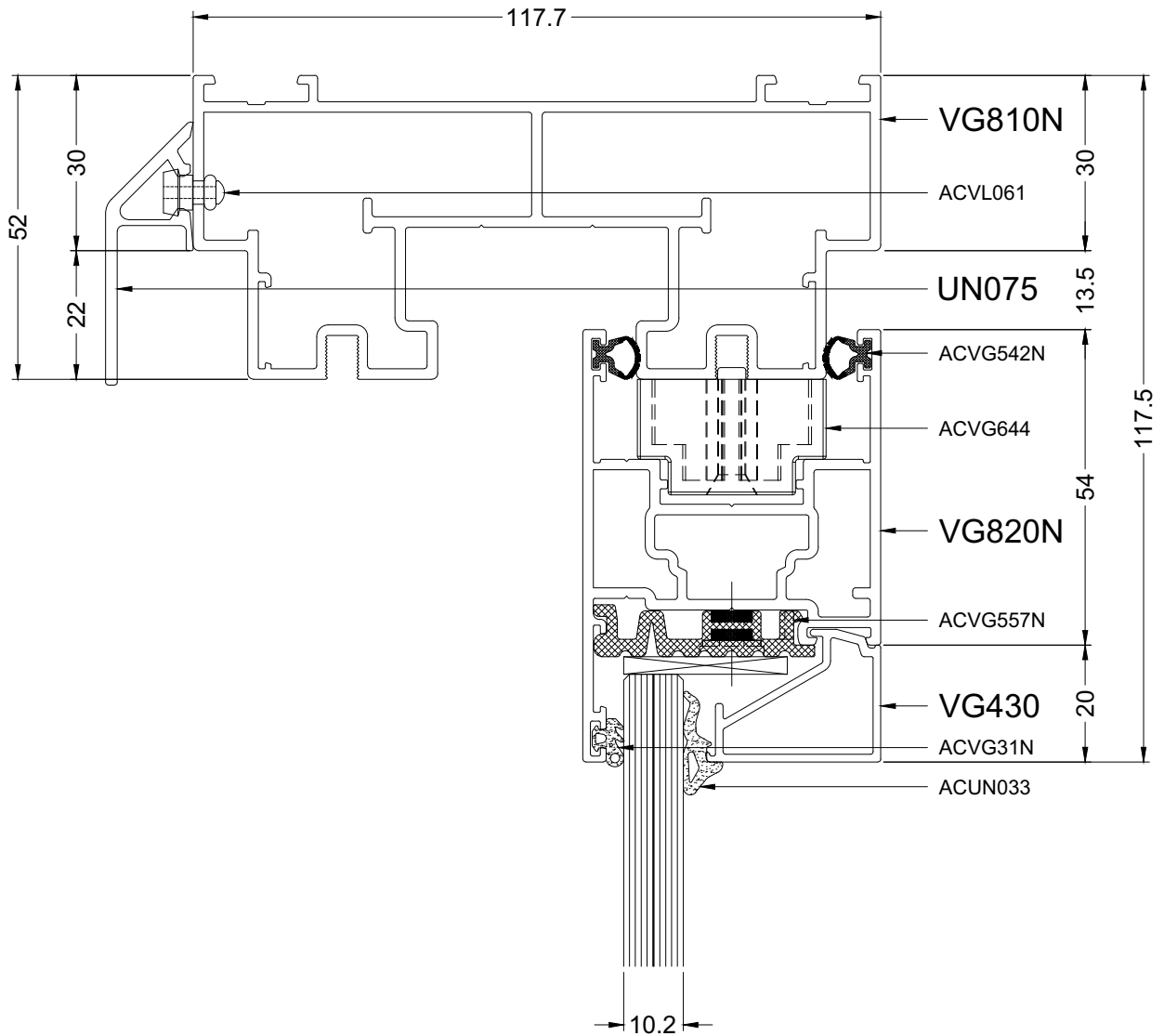
aliplast
member of



DOORSNEDETEKENINGEN - SECTION DE NOEUDS - PROFILKOMBINATIONEN - SECTION DRAWINGS

VG500

207A

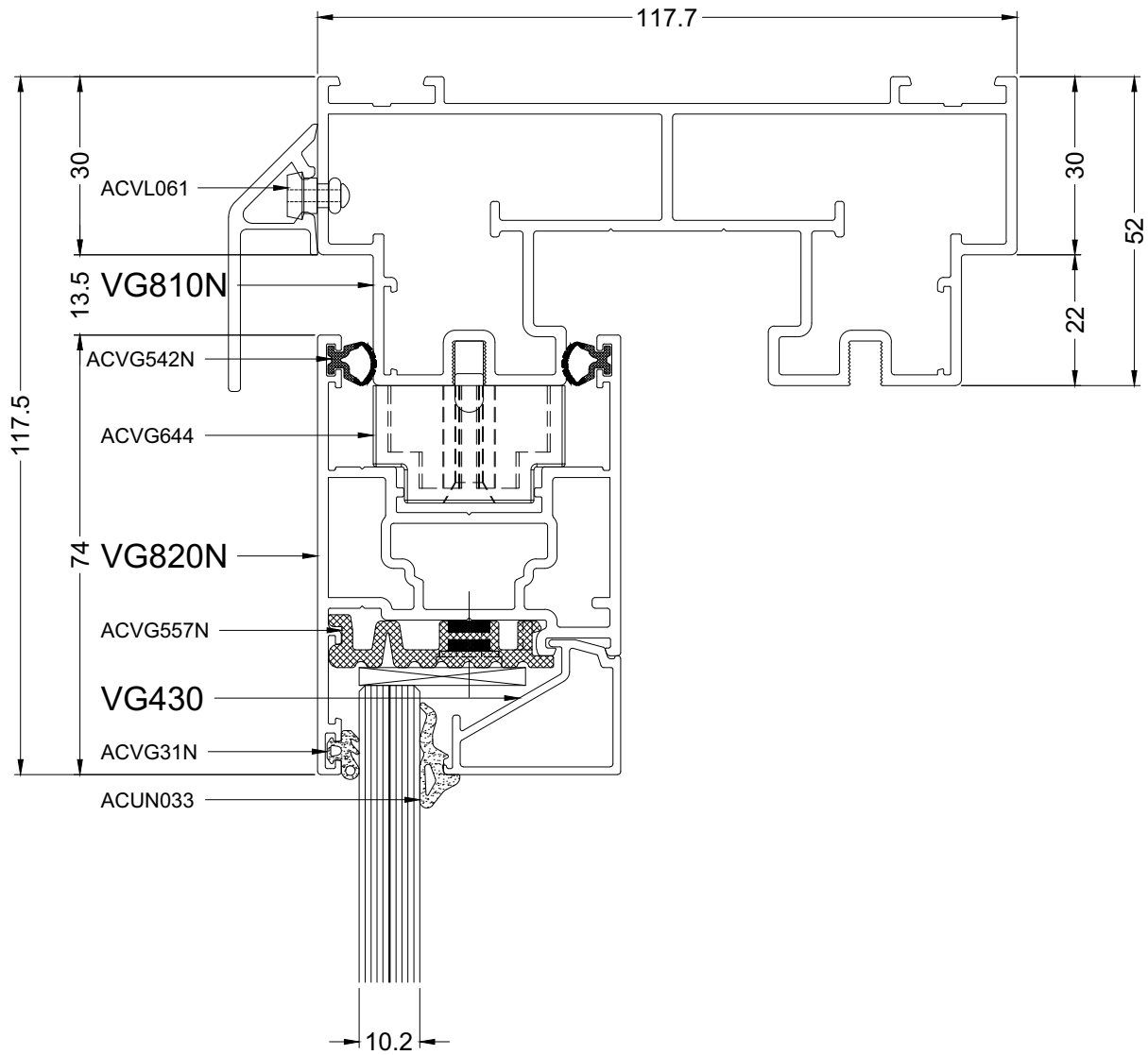


(TOP)VG810N-VG820N(IN)(FIX)

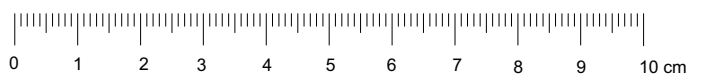


322

207B



DOORSNEDETEKENINGEN - SECTION DE NOEUDS - PROFILKOMBINATIONEN - SECTION DRAWINGS



(TOP)VG810N-VG820N(OUT)(FIX)

aliplast
member of



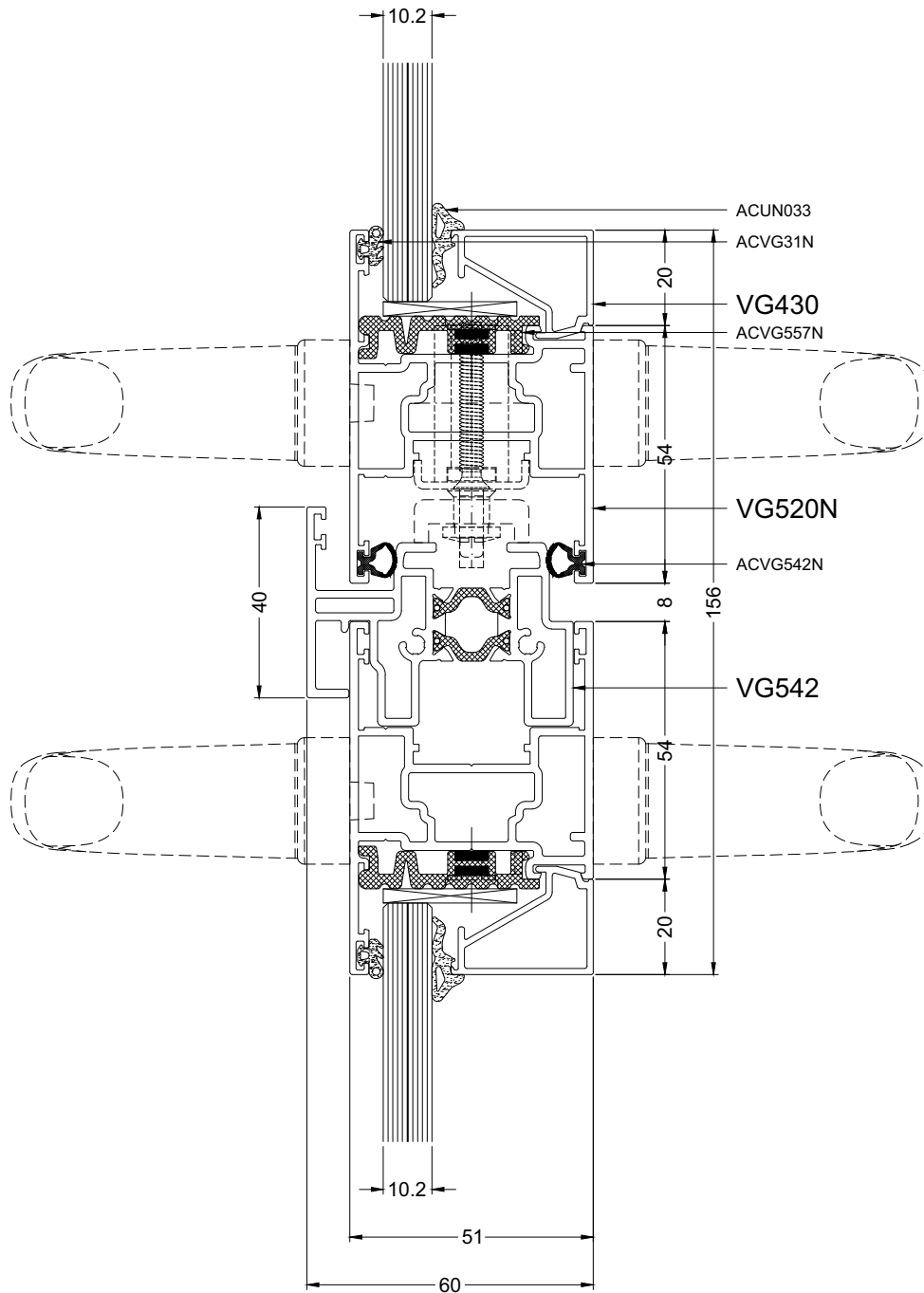
VG500

215

OVERZICHT
APERCU
OVERVIEW
UEBERSICHT



ZIE SZ CATALOGUS
VOIR LE CATALOGUE SZ
SEE SZ CATALOG
SIEHE SZ KATALOG

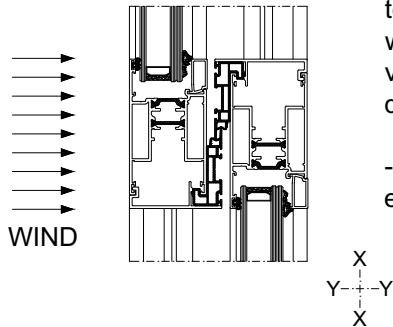


VG820N-VG542-VG820N



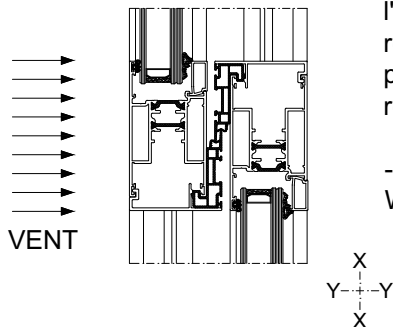
324

ALGEMENE INFORMATIE
GENERALITES
ALGEMEINE INFORMATION
GENERAL INFORMATION



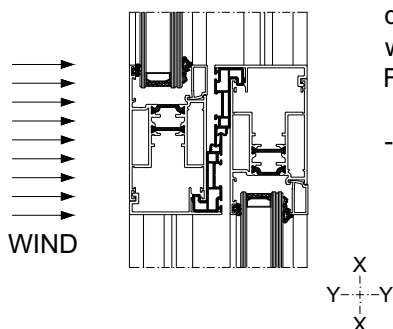
De positie van het assenkruis is een indicatie voor het gebruik en de toepassing van de traagheidsmomenten (I_x en I_y) en de weerstandsmomenten (W_x en W_y). We kiezen steeds de waarden van de as die loodrecht staat op de belasting om te weerstaan aan deze belasting.

- om te weerstaan aan de windbelasting gebruiken we de waarden I_x en W_x



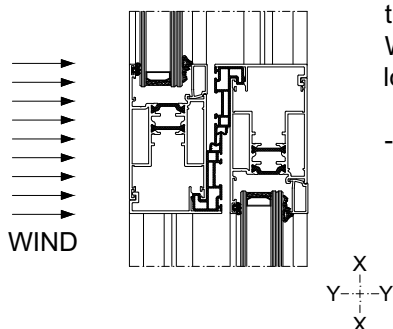
La position des axes X et Y est une indication à l'utilisation et l'application des moments d'inertie (I_x et I_y) et des moments de résistance (W_x et W_y). Nous choisissons toujours les valeurs de l'axe perpendiculaire à la charge de résister afin de pouvoir calculer la résistance.

- Pour résister aux charges de vent, nous utilisons les valeurs I_x et W_x



Die Position der Achsen ist ein Indiz für die Nutzung und Anwendung der Trägheitsmomente (I_X und I_Y) und Modulus (W_x und W_y). Wir wählen immer die Werte der Achse senkrecht zur Last an das Finanzamt zu widerstehen.

- Um gegen die Windlasten verwenden wir die Werte I_x und W_x



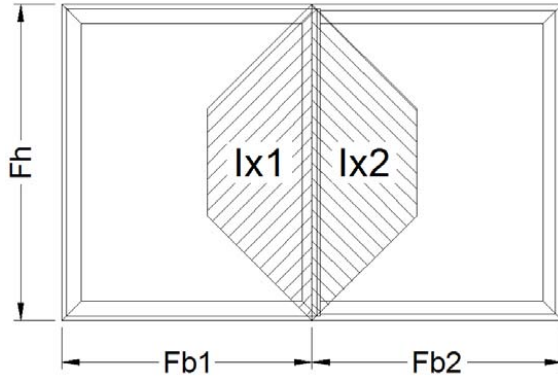
The position of the axes is an indication for the use and application of the moments of inertia (I_x and I_y) and the section modulus (W_x and W_y). We always choose the values of the axis perpendicular to the load to resist it.

- To resist the wind loads we use the values I_x and W_x

ALGEMEENIXIY

VG500

VOORBEELD
 EXEMPLE
 BEISPIEL
 EXAMPLE



Fh = 250 cm

Fb1 = 100 cm

Fb2 = 100 cm

P = 800 Pa (winddruk / pression du vent /
 Winddruck / wind pressure)

1) Ix bepalen voor de eerste vleugel

Déterminer la valeur Ix de la première vantail

Bestimmung Ix für den ersten Flügel

Determine Ix value for the first sash

Ix1 = 24.6 cm4

1) Ix bepalen voor de tweede vleugel

Déterminer la valeur Ix de la seconde vantail

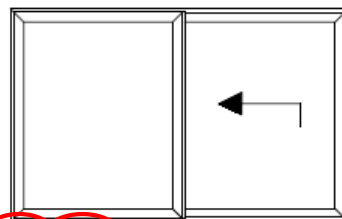
Bestimmung Ix für den zweiten Flügel

Determine Ix value for the second sash

Ix2 = 24.6 cm4

| WINDDRUK PRESSION DU VENT WINDDRUCK WIND PRESSURE | | | | | | | |
|--|------|------|------|------|------|------|---|
| 800 Pa | | | | | | | |
| Fh/Fb (cm) | 50 | 60 | 70 | 80 | 90 | 100 | 1 |
| 100 | 0.8 | 0.9 | 1.0 | 1.1 | 1.1 | 1.1 | 1 |
| 110 | 1.1 | 1.2 | 1.4 | 1.5 | 1.6 | 1.6 | 1 |
| 120 | 1.4 | 1.6 | 1.8 | 2.0 | 2.1 | 2.2 | 2 |
| 130 | 1.8 | 2.1 | 2.3 | 2.6 | 2.8 | 2.9 | 3 |
| 140 | 2.2 | 2.6 | 3.0 | 3.3 | 3.5 | 3.8 | 3 |
| 150 | 2.8 | 3.2 | 3.7 | 4.1 | 4.4 | 4.7 | 5 |
| 160 | 3.3 | 3.9 | 4.5 | 5.0 | 5.5 | 5.9 | 6 |
| 170 | 4.0 | 4.7 | 5.4 | 6.1 | 6.6 | 7.2 | 7 |
| 180 | 4.8 | 5.7 | 6.5 | 7.3 | 8.0 | 8.6 | 9 |
| 190 | 5.6 | 6.7 | 7.7 | 8.6 | 9.5 | 10.3 | 1 |
| 200 | 6.6 | 7.8 | 9.0 | 10.1 | 11.1 | 12.1 | 1 |
| 210 | 7.6 | 9.1 | 10.4 | 11.7 | 13.0 | 14.2 | 1 |
| 220 | 8.8 | 10.4 | 12.0 | 13.6 | 15.0 | 16.4 | 1 |
| 230 | 10.0 | 11.9 | 13.8 | 15.6 | 17.3 | 18.9 | 2 |
| 240 | 11.4 | 13.6 | 15.7 | 17.8 | 19.7 | 21.6 | 2 |
| 250 | 12.9 | 15.4 | 17.8 | 20.1 | 22.4 | 24.6 | 2 |
| 260 | 14.5 | 17.3 | 20.1 | 22.7 | 25.3 | 27.8 | 3 |
| 270 | 16.2 | 19.4 | 22.5 | 25.5 | 28.4 | 31.2 | 3 |

3) **min. Ix = Ix1 + Ix2 = 24.6 cm4 + 24.6 cm4 = 49.2 cm4**



4) Profiel combinaties bepalen

Déterminer combinaisons de profilés

Profil-Kombinationen bestimmen

Determine profile combinations

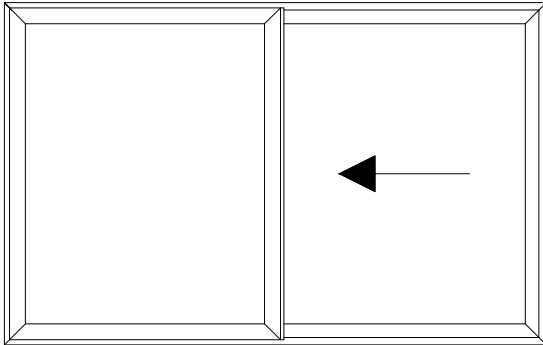
OK

55 cm4

88 cm

VG500

PROFIEL COMBINATIES
 COMBINAISONS DE PROFILES
 PROFIL-KOMBINATIONEN
 PROFILE COMBINATIONS

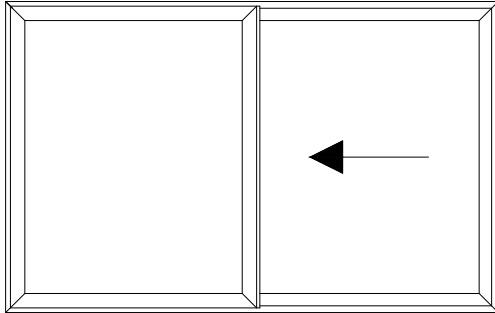


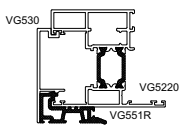
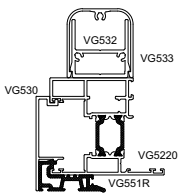
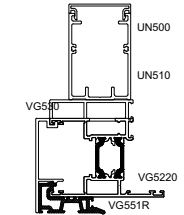
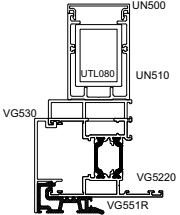
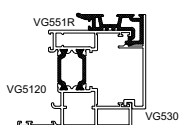
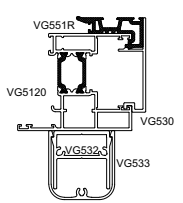
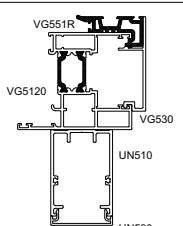
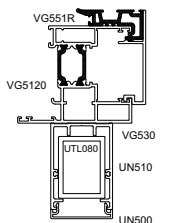
| | | | | |
|--|---------------------------|---------------------------|---------------------------|---------------------------|
| | | | | |
| | 48 cm⁴ | 79 cm⁴ | 105 cm⁴ | 146 cm⁴ |
| | 79 cm⁴ | 110 cm⁴ | 136 cm⁴ | 178 cm⁴ |
| | 105 cm⁴ | 136 cm⁴ | 162 cm⁴ | 203 cm⁴ |
| | 146 cm⁴ | 178 cm⁴ | 203 cm⁴ | 245 cm⁴ |

STATICA - STATIQUE - STATIK - STATICS

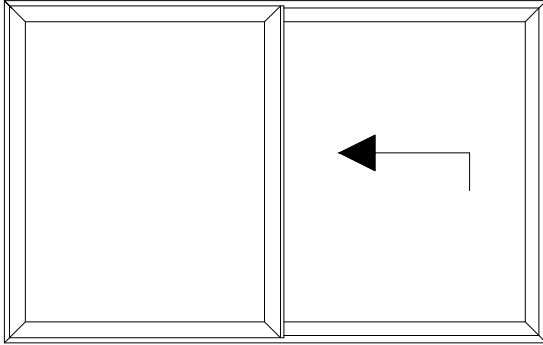
IX-SLIDE

VG500



| |  |  |  |  |
|---|---|---|--|---|
|  | 74.6 cm⁴ | 163.5 cm⁴ | 192.4 cm⁴ | 240.5 cm⁴ |
|  | 155.2 cm⁴ | 244.1 cm⁴ | 273 cm⁴ | 321.1 cm⁴ |
|  | 183.8 cm⁴ | 272.7 cm⁴ | 301.6 cm⁴ | 349.7 cm⁴ |
|  | 199.8 cm⁴ | 272.7 cm⁴ | 317.6 cm⁴ | 365.7 cm⁴ |

VG500



| | | | | |
|--|---------------------------|---------------------------|---------------------------|---------------------------|
| | | | | |
| | 55 cm⁴ | 88 cm⁴ | 115 cm⁴ | 162 cm⁴ |
| | 88 cm⁴ | 121 cm⁴ | 148 cm⁴ | 195 cm⁴ |
| | 115 cm⁴ | 148 cm⁴ | 175 cm⁴ | 222 cm⁴ |
| | 162 cm⁴ | 195 cm⁴ | 222 cm⁴ | 269 cm⁴ |

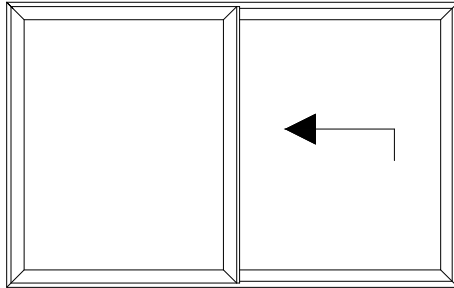
STATICA - STATIQUE - STATIK - STATICS

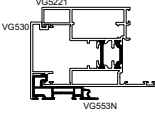
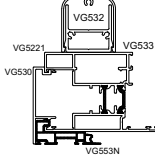
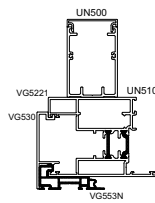
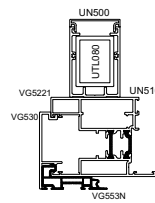
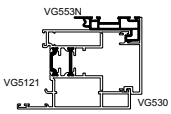
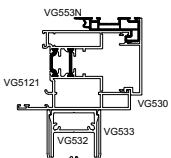
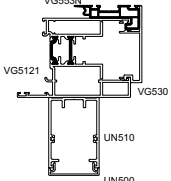
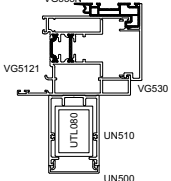
IX-LIFTSLIDE

aliplast
member of

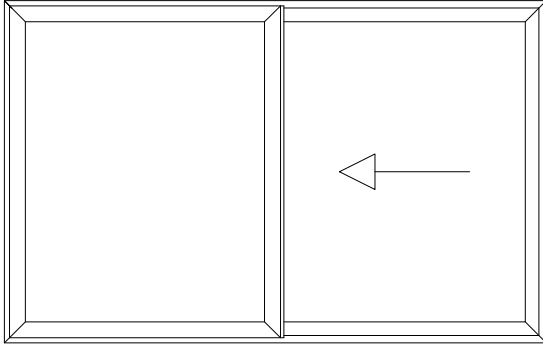


VG500



| |  |  |  |  |
|---|---|---|--|---|
|  | 85.1 cm⁴ | 181.1 cm⁴ | 210.4 cm⁴ | 265.7 cm⁴ |
|  | 172.8 cm⁴ | 268.8 cm⁴ | 298.1 cm⁴ | 353.4 cm⁴ |
|  | 201.8 cm⁴ | 297.8 cm⁴ | 327.1 cm⁴ | 382.4 cm⁴ |
|  | 253.3 cm⁴ | 349.3 cm⁴ | 378.6 cm⁴ | 433.9 cm⁴ |

VG500



| | | | | |
|--|---------------------------|---------------------------|---------------------------|---------------------------|
| | | | | |
| | 84 cm⁴ | 146 cm⁴ | 180 cm⁴ | 252 cm⁴ |
| | 115 cm⁴ | 177 cm⁴ | 211 cm⁴ | 283 cm⁴ |
| | 141 cm⁴ | 203 cm⁴ | 237 cm⁴ | 308 cm⁴ |
| | 182 cm⁴ | 244 cm⁴ | 279 cm⁴ | 350 cm⁴ |

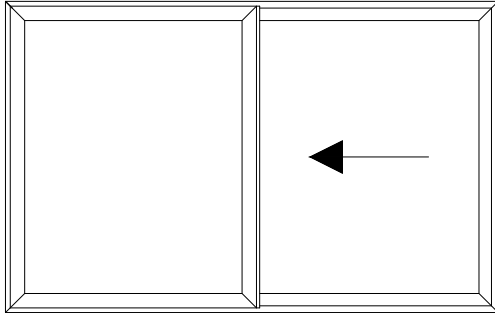
STATICA - STATIQUE - STATIK - STATICS

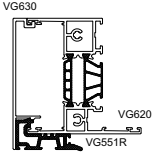
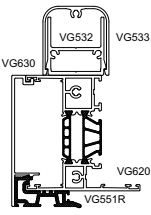
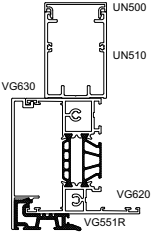
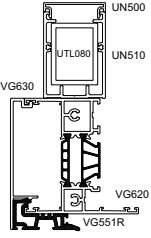
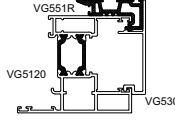
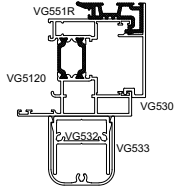
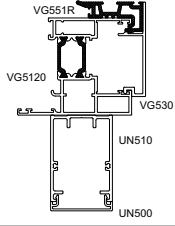
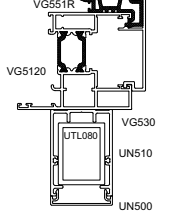
IX-MONO-SLIDE

aliplast
member of



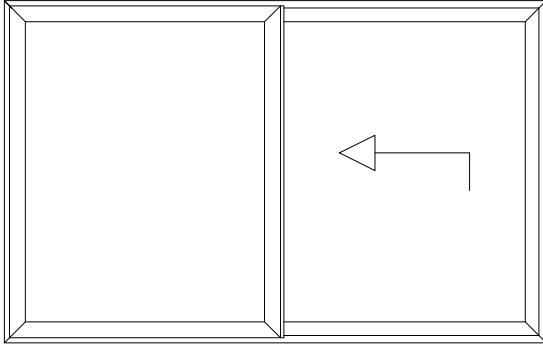
VG500



| |  |  |  |  |
|---|--|--|---|--|
|  | 97.5 cm⁴ | 159.5 cm⁴ | 193.5 cm⁴ | 265.5 cm⁴ |
|  | 178.1 cm⁴ | 240.1 cm⁴ | 274.1 cm⁴ | 346.1 cm⁴ |
|  | 206.7 cm⁴ | 268.7 cm⁴ | 302.7 cm⁴ | 374.7 cm⁴ |
|  | 222.6 cm⁴ | 284.6 cm⁴ | 318.6 cm⁴ | 390.5 cm⁴ |

IX-SLIDE-MONO- B

VG500



| | | | | |
|--|---------------------------|---------------------------|---------------------------|---------------------------|
| | | | | |
| | 96 cm⁴ | 161 cm⁴ | 196 cm⁴ | 274 cm⁴ |
| | 129 cm⁴ | 194 cm⁴ | 229 cm⁴ | 307 cm⁴ |
| | 156 cm⁴ | 221 cm⁴ | 256 cm⁴ | 334 cm⁴ |
| | 203 cm⁴ | 268 cm⁴ | 303 cm⁴ | 381 cm⁴ |

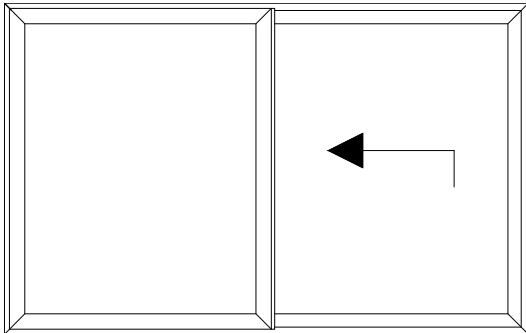
STATICA - STATIQUE - STATIK - STATICS

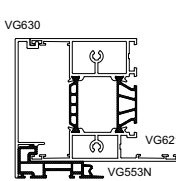
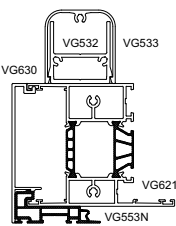
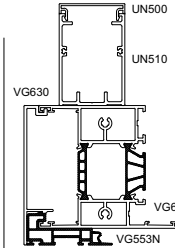
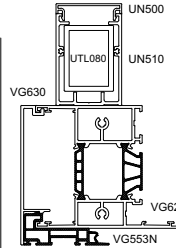
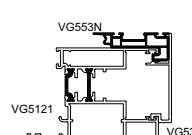
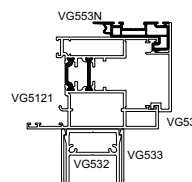
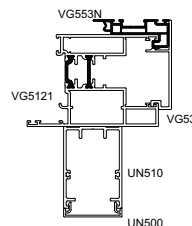
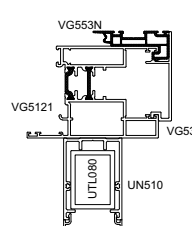
IX-MONO-LIFTSLIDE

aliplast
member of



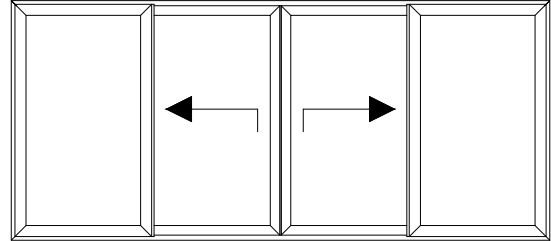
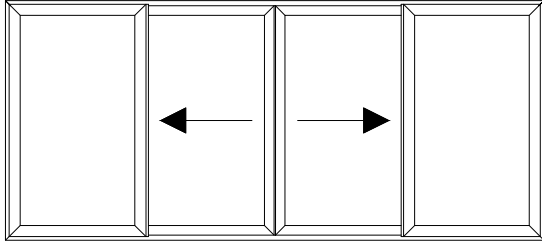
VG500

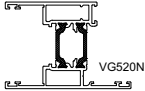
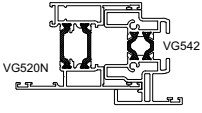
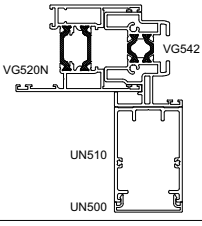
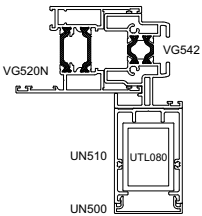


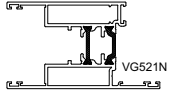
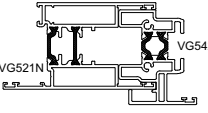
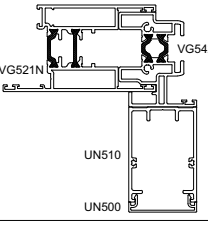
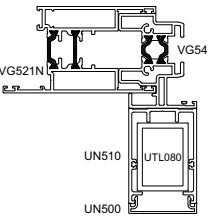
| |  |  |  |  |
|---|---|---|---|---|
|  | 111.5 cm⁴ | 176. cm⁴ | 246.5 cm⁴ | 289.5 cm⁴ |
|  | 199.2 cm⁴ | 264.2 cm⁴ | 299.2 cm⁴ | 377.2 cm⁴ |
|  | 228.2 cm⁴ | 293.2 cm⁴ | 328.2 cm⁴ | 406.2 cm⁴ |
|  | 279.7 cm⁴ | 344.7 cm⁴ | 379.7 cm⁴ | 457.7 cm⁴ |

IX-LIFTSLIDE-MONO- B

VG500



| | | |
|---|--|--|
| |  | |
|  | 54 cm⁴ | |
|  | 128 cm⁴ | |
|  | 191 cm⁴ | |

| | | |
|--|--|--|
| |  | |
|  | 57 cm⁴ | |
|  | 136 cm⁴ | |
|  | 203 cm⁴ | |

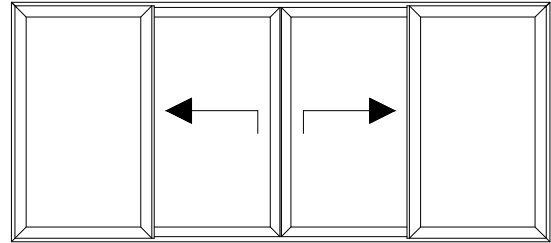
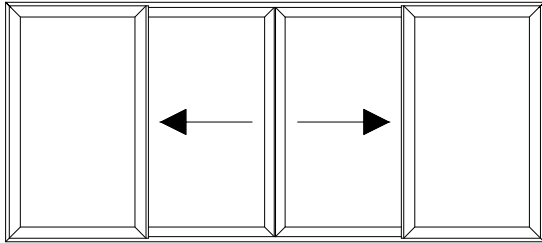
STATICA - STATIQUE - STATIK - STATICS

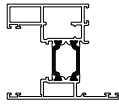
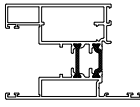
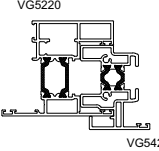
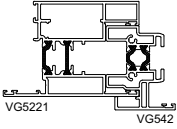
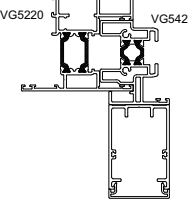
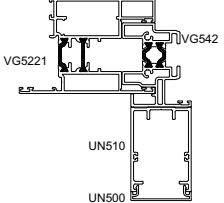
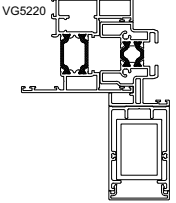
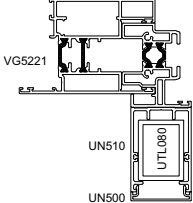
IX-DOUBLE_CASEMENT

aliplast
member of



VG500

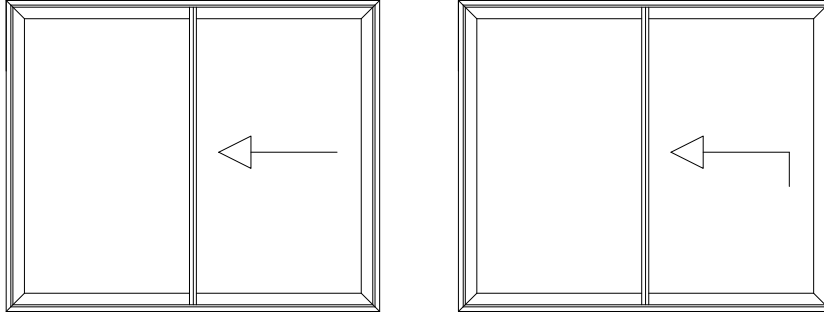


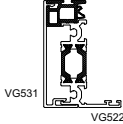
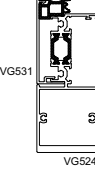
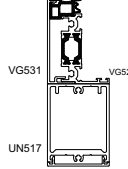
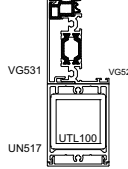
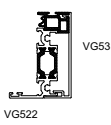
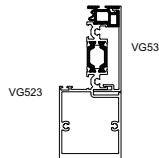
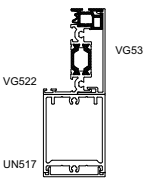
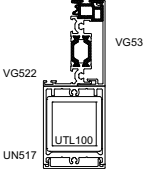
| | | | |
|--|--|---|--|
| |  <p>VG5220</p> | |  <p>VG5221</p> |
|  <p>VG5220 VG542</p> | 82.9 cm⁴ |  <p>VG5221 VG542</p> | 92.8 cm⁴ |
|  <p>VG5220 VG542 UN510 UN500</p> | 216.9 cm⁴ |  <p>VG5221 VG542 UN510 UN500</p> | 230.2 cm⁴ |
|  <p>VG5220 VG542 UN510 UN500 UTL080</p> | 281.4 cm⁴ |  <p>VG5221 VG542 UN510 UN500 UTL080</p> | 299.4 cm⁴ |

IX-DOUBLE_CASEMENT - 2

VG500

Might



| | | | | |
|---|--|--|---|--|
| |  |  |  |  |
|  | 13 cm⁴ | 74 cm⁴ | 79cm⁴ | 97cm⁴ |
|  | 63 cm⁴ | 124 cm⁴ | 129 cm⁴ | 146 cm⁴ |
|  | 68 cm⁴ | 129 cm⁴ | 133 cm⁴ | 151 cm⁴ |
|  | 83 cm⁴ | 145 cm⁴ | 149cm⁴ | 167cm⁴ |

STATICA - STATIQUE - STATIK - STATICS

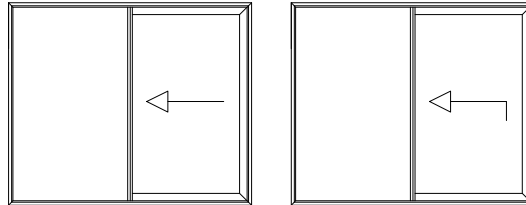
IX-SMALL CHICANE

aliplast
member of



VG500

MaxLight

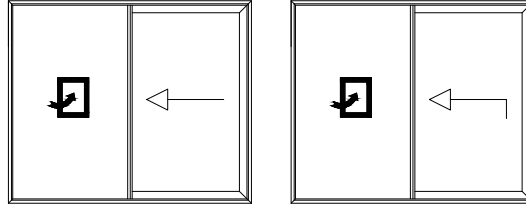


| | | | |
|---------------|---------------|----------------|----------------|
| | | | |
| 26 cm4 | 76 cm4 | 118 cm4 | 168 cm4 |

| | | | |
|---------------|---------------|----------------|----------------|
| | | | |
| 81 cm4 | 96 cm4 | 123 cm4 | 149 cm4 |

| | | | |
|----------------|----------------|----------------|----------------|
| | | | |
| 177 cm4 | 192 cm4 | 204 cm4 | 219 cm4 |

IX-MONORAIL-MAXLIGHT-NEW



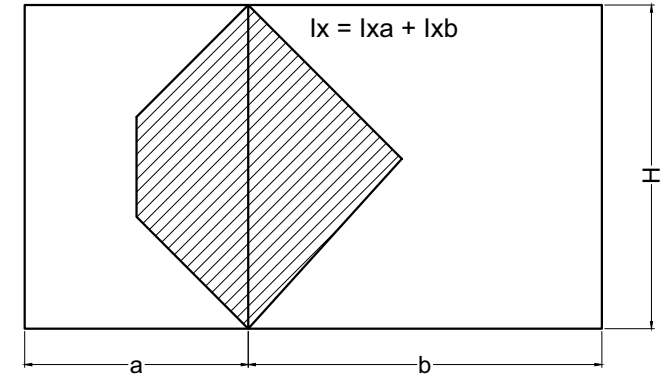
| | | | |
|--------------------------|--------------------------|---------------------------|---------------------------|
| | | | |
| 26 cm⁴ | 87 cm⁴ | 118 cm⁴ | 179 cm⁴ |

| | | | |
|--------------------------|---------------------------|---------------------------|---------------------------|
| | | | |
| 92 cm⁴ | 110 cm⁴ | 123 cm⁴ | 149 cm⁴ |

| | | | |
|---------------------------|---------------------------|---------------------------|---------------------------|
| | | | |
| 188 cm⁴ | 206 cm⁴ | 215 cm⁴ | 233 cm⁴ |

VG500

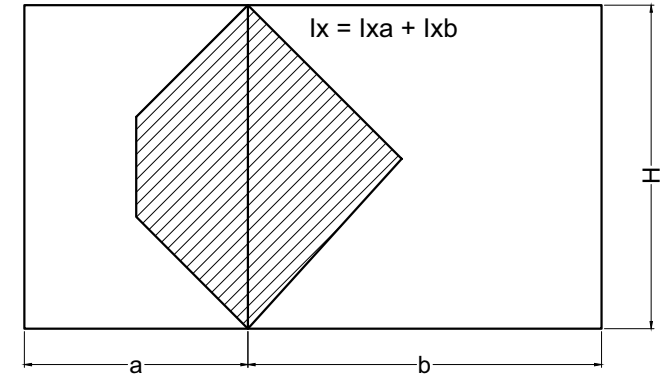
| | BREEDTE / LARGEUR / BREITE / WIDTH (a of/ou/oder/or b) [CM] | | | | | | | | | | | | | | | | | | | | | | | | | | |
|-----|---|-------|-------|-------|-------|-------|-------|-------|-------|-------|-------|-------|-------|-------|-------|-------|-------|-------|-------|-------|-------|-------|-------|-------|-------|-------|--|
| | 50 | 60 | 70 | 80 | 90 | 100 | 110 | 120 | 130 | 140 | 150 | 160 | 170 | 180 | 190 | 200 | 210 | 220 | 230 | 240 | 250 | 260 | 270 | 280 | 290 | 300 | |
| 100 | 0.9 | 1 | 1.1 | 1.2 | 1.3 | 1.3 | 1.4 | 1.5 | 1.7 | 1.8 | 1.9 | 2 | 2.1 | 2.3 | 2.4 | 2.5 | 2.6 | 2.8 | 2.9 | 3 | | | | | | | |
| 110 | 1.2 | 1.4 | 1.6 | 1.7 | 1.8 | 1.8 | 1.9 | 2 | 2.2 | 2.3 | 2.5 | 2.7 | 2.8 | 3 | 3.2 | 3.3 | 3.5 | 3.7 | 3.8 | 4 | | | | | | | |
| 120 | 1.6 | 1.9 | 2.1 | 2.3 | 2.4 | 2.5 | 2.6 | 2.6 | 2.8 | 3 | 3.2 | 3.5 | 3.7 | 3.9 | 4.1 | 4.3 | 4.5 | 4.7 | 5 | 5.2 | | | | | | | |
| 130 | 2 | 2.4 | 2.7 | 2.9 | 3.2 | 3.3 | 3.5 | 3.5 | 3.6 | 3.8 | 4.1 | 4.4 | 4.7 | 4.9 | 5.2 | 5.5 | 5.7 | 6 | 6.3 | 6.6 | | | | | | | |
| 140 | 2.6 | 3 | 3.4 | 3.7 | 4.1 | 4.3 | 4.5 | 4.7 | 4.8 | 4.8 | 5.1 | 5.5 | 5.8 | 6.1 | 6.5 | 6.8 | 7.2 | 7.5 | 7.8 | 8.2 | | | | | | | |
| 150 | 3.2 | 3.7 | 4.2 | 4.7 | 5.1 | 5.5 | 5.8 | 6 | 6.2 | 6.3 | 6.3 | 6.7 | 7.1 | 7.5 | 8 | 8.4 | 8.8 | 9.2 | 9.6 | 10 | | | | | | | |
| 160 | 3.8 | 4.5 | 5.2 | 5.8 | 6.3 | 6.8 | 7.2 | 7.5 | 7.8 | 8 | 8.1 | 8.1 | 8.6 | 9.1 | 9.7 | 10.2 | 10.7 | 11.2 | 11.7 | 12.2 | | | | | | | |
| 170 | 4.6 | 5.5 | 6.2 | 7 | 7.6 | 8.3 | 8.8 | 9.3 | 9.7 | 10 | 10.2 | 10.3 | 10.4 | 11 | 11.6 | 12.2 | 12.8 | 13.4 | 14 | 14.6 | | | | | | | |
| 180 | 5.5 | 6.5 | 7.5 | 8.3 | 9.2 | 9.9 | 10.6 | 11.3 | 11.8 | 12.2 | 12.6 | 12.8 | 13 | 13 | 13.7 | 14.4 | 15.2 | 15.9 | 16.6 | 17.3 | | | | | | | |
| 190 | 6.5 | 7.7 | 8.8 | 9.9 | 10.9 | 11.8 | 12.7 | 13.5 | 14.2 | 14.8 | 15.2 | 15.6 | 15.9 | 16.1 | 16.1 | 17 | 17.8 | 18.7 | 19.5 | 20.4 | | | | | | | |
| 200 | 7.6 | 9 | 10.3 | 11.6 | 12.8 | 14 | 15 | 16 | 16.9 | 17.6 | 18.3 | 18.8 | 19.2 | 19.5 | 19.7 | 19.8 | 20.8 | 21.8 | 22.8 | 23.7 | | | | | | | |
| 210 | 8.8 | 10.4 | 12 | 13.5 | 15 | 16.3 | 17.6 | 18.8 | 19.8 | 20.8 | 21.6 | 22.4 | 23 | 23.4 | 23.8 | 24 | 24 | 25.2 | 26.3 | 27.5 | | | | | | | |
| 220 | 10.1 | 12 | 13.8 | 15.6 | 17.3 | 18.9 | 20.4 | 21.8 | 23.1 | 24.3 | 25.4 | 26.3 | 27.1 | 27.8 | 28.3 | 28.7 | 28.9 | 29 | 30.3 | 31.6 | 32.9 | 34.2 | 35.5 | 36.8 | 38.2 | 39.5 | |
| 230 | 11.6 | 13.7 | 15.9 | 17.9 | 19.9 | 21.8 | 23.5 | 25.2 | 26.8 | 28.2 | 29.5 | 30.7 | 31.7 | 32.6 | 33.3 | 33.8 | 34.3 | 34.5 | 34.6 | 36.1 | 37.6 | 39.1 | 40.6 | 42.1 | 43.6 | 45.1 | |
| 240 | 13.1 | 15.6 | 18.1 | 20.4 | 22.7 | 24.9 | 27 | 28.9 | 30.8 | 32.5 | 34 | 35.5 | 36.7 | 37.8 | 38.8 | 39.6 | 40.2 | 40.6 | 40.9 | 41 | 42.7 | 44.4 | 46.1 | 47.8 | 49.5 | 51.2 | |
| 250 | 14.9 | 17.7 | 20.5 | 23.2 | 25.8 | 28.3 | 30.7 | 32.9 | 35.1 | 37.1 | 39 | 40.7 | 42.2 | 43.6 | 44.8 | 45.9 | 46.7 | 47.4 | 47.9 | 48.2 | 48.3 | 50.2 | 52.1 | 54 | 56 | 57.9 | |
| 260 | 16.7 | 20 | 23.1 | 26.1 | 29.1 | 32 | 34.7 | 37.3 | 39.8 | 42.1 | 44.3 | 46.4 | 48.2 | 49.9 | 51.4 | 52.7 | 53.9 | 54.8 | 55.5 | 56 | 56.3 | 56.4 | 58.6 | 60.8 | 62.9 | 65.1 | |
| 270 | 18.8 | 22.4 | 25.9 | 29.4 | 32.7 | 35.9 | 39.1 | 42.1 | 44.9 | 47.6 | 50.2 | 52.5 | 54.7 | 56.8 | 58.6 | 60.2 | 61.6 | 62.8 | 63.8 | 64.6 | 65.2 | 65.5 | 65.6 | 68.1 | 70.5 | 72.9 | |
| 280 | 20.9 | 25 | 28.9 | 32.8 | 36.6 | 40.2 | 43.8 | 47.2 | 50.4 | 53.5 | 56.5 | 59.2 | 61.8 | 64.2 | 66.3 | 68.3 | 70.1 | 71.6 | 72.9 | 74 | 74.8 | 75.4 | 75.8 | 75.9 | 78.6 | 81.3 | |
| 290 | 23.3 | 27.8 | 32.2 | 36.5 | 40.8 | 44.9 | 48.8 | 52.7 | 56.4 | 59.9 | 63.2 | 66.4 | 69.4 | 72.1 | 74.7 | 77.1 | 79.2 | 81.1 | 82.7 | 84.1 | 85.3 | 86.2 | 86.8 | 87.2 | 87.3 | 90.3 | |
| 300 | 25.8 | 30.8 | 35.7 | 40.5 | 45.2 | 49.8 | 54.3 | 58.6 | 62.7 | 66.7 | 70.5 | 74.1 | 77.5 | 80.7 | 83.7 | 86.5 | 89 | 91.3 | 93.3 | 95 | 96.6 | 97.8 | 98.8 | 99.4 | 99.9 | 100 | |
| 310 | 28.5 | 34 | 39.4 | 44.8 | 50 | 55.1 | 60.1 | 64.9 | 69.6 | 74 | 78.3 | 82.4 | 86.3 | 90 | 93.4 | 96.6 | 99.5 | 102.2 | 104.7 | 106.8 | 108.7 | 110.3 | 111.6 | 112.7 | 113.4 | 113.9 | |
| 320 | 31.3 | 37.4 | 43.4 | 49.3 | 55.1 | 60.8 | 66.3 | 71.7 | 76.8 | 81.9 | 86.7 | 91.3 | 95.7 | 99.8 | 103.8 | 107.4 | 110.9 | 114 | 116.9 | 119.5 | 121.8 | 123.8 | 125.5 | 126.9 | 128 | 128.8 | |
| 330 | 34.4 | 41.1 | 47.7 | 54.2 | 60.6 | 66.8 | 72.9 | 78.9 | 84.6 | 90.2 | 95.6 | 100.7 | 105.7 | 110.4 | 114.8 | 119 | 122.9 | 126.6 | 129.9 | 133 | 135.8 | 138.2 | 140.4 | 142.2 | 143.7 | 144.9 | |
| 340 | 37.6 | 45 | 52.2 | 59.3 | 66.4 | 73.2 | 80 | 86.5 | 92.9 | 99.1 | 105 | 110.8 | 116.3 | 121.6 | 126.6 | 131.4 | 135.8 | 140 | 143.9 | 147.5 | 150.7 | 153.7 | 156.3 | 158.6 | 160.5 | 162.1 | |
| 350 | 41 | 49.1 | 57 | 64.8 | 72.5 | 80 | 87.4 | 94.6 | 101.7 | 108.5 | 115.1 | 121.5 | 127.6 | 133.5 | 139.1 | 144.5 | 149.5 | 154.3 | 158.8 | 162.9 | 166.7 | 170.2 | 173.3 | 176 | 178.5 | 180.5 | |
| 360 | 44.7 | 53.4 | 62.1 | 70.6 | 79 | 87.2 | 95.3 | 103.2 | 111 | 118.5 | 125.8 | 132.8 | 139.6 | 146.2 | 152.4 | 158.4 | 164.1 | 169.5 | 174.5 | 179.3 | 183.6 | 187.7 | 191.4 | 194.7 | 197.6 | 200.2 | |
| 370 | 48.5 | 58 | 67.4 | 76.7 | 85.9 | 94.9 | 103.7 | 112.4 | 120.8 | 129.1 | 137.1 | 144.8 | 152.3 | 159.6 | 166.5 | 173.2 | 179.6 | 185.6 | 191.3 | 196.6 | 201.6 | 206.3 | 210.6 | 214.4 | 217.9 | 221.1 | |
| 380 | 52.6 | 62.9 | 73.1 | 83.2 | 93.1 | 102.9 | 112.6 | 122 | 131.2 | 140.2 | 149 | 157.5 | 165.8 | 173.8 | 181.5 | 188.8 | 195.9 | 202.6 | 209 | 215.1 | 220.7 | 226 | 230.9 | 235.4 | 239.5 | 243.2 | |
| 390 | 56.9 | 68 | 79.1 | 90 | 100.8 | 111.4 | 121.9 | 132.1 | 142.2 | 152 | 161.6 | 170.9 | 180 | 188.7 | 197.2 | 205.4 | 213.2 | 220.7 | 227.8 | 234.5 | 240.9 | 246.9 | 252.5 | 257.7 | 262.4 | 266.8 | |
| 400 | 62.9 | 75.3 | 87.6 | 99.7 | 111.7 | 123.5 | 135.1 | 146.5 | 157.7 | 168.7 | 179.4 | 189.8 | 199.9 | 209.8 | 219.3 | 228.5 | 237.3 | 245.8 | 253.9 | 261.6 | 268.9 | 275.8 | 282.3 | 288.4 | 294 | 299.1 | |
| 410 | 69.5 | 83.2 | 96.7 | 110.1 | 123.4 | 136.4 | 149.3 | 162 | 174.4 | 186.6 | 198.5 | 210.2 | 221.5 | 232.5 | 243.2 | 253.5 | 263.4 | 273 | 282.2 | 290.9 | 299.3 | 307.2 | 314.6 | 321.6 | 328.2 | 334.2 | |
| 420 | 76.5 | 91.6 | 106.5 | 121.3 | 136 | 150.4 | 164.7 | 178.7 | 192.4 | 205.9 | 219.2 | 232.1 | 244.7 | 257 | 268.9 | 280.4 | 291.6 | 302.4 | 312.7 | 322.6 | 332.1 | 341 | 349.6 | 357.6 | 365.1 | 372.2 | |
| 430 | 84.1 | 100.7 | 117.1 | 133.4 | 149.5 | 165.4 | 181.1 | 196.6 | 211.8 | 226.7 | 241.4 | 255.7 | 269.7 | 283.3 | 296.6 | 309.5 | 321.9 | 334 | 345.6 | 356.7 | 367.4 | 377.6 | 387.3 | 396.4 | 405.1 | 413.2 | |
| 440 | 92.2 | 110.4 | 128.4 | 146.3 | 164 | 181.5 | 198.8 | 215.8 | 232.6 | 249.1 | 265.2 | 281 | 296.5 | 311.6 | 326.3 | 340.6 | 354.5 | 367.9 | 380.9 | 393.4 | 405.4 | 416.9 | 427.8 | 438.2 | 448.1 | 457.4 | |
| 450 | 100.9 | 120.8 | 140.6 | 160.2 | 179.6 | 198.8 | 217.7 | 236.4 | 254.9 | 273 | 290.8 | 308.2 | 325.3 | 342 | 358.2 | 374.1 | 389.5 | 404.4 | 418.9 | 432.8 | 446.2 | 459.1 | 471.4 | 483.2 | 494.3 | 504.9 | |
| 460 | 110.2 | 132 | 153.6 | 175 | 196.2 | 217.2 | 238 | 258.5 | 278.7 | 298.6 | 318.1 | 337.3 | 356.1 | 374.4 | 392.4 | 409.9 | 426.9 | 443.5 | 459.5 | 475 | 490 | 504.4 | 518.2 | 531.4 | 544 | 555.9 | |
| 470 | 120.1 | 143.8 | 167.4 | 190.8 | 214 | 236.9 | 259.6 | 282 | 304.1 | 325.9 | 347.3 | 368.3 | 389 | 409.2 | 428.9 | 448.2 | 467 | 485.3 | 503 | 520.2 | 536.8 | 552.8 | 568.2 | 583 | 597.1 | 610.6 | |
| 480 | 130.7 | 156.5 | 182.2 | 207.7 | 232.9 | 257.9 | 282.7 | 307.1 | 331.3 | 355.1 | 378.5 | 401.5 | 424.1 | 446.2 | 467.9 | 489.1 | 509.8 | 529.9 | 549.5 | 568.5 | 586.9 | 604.6 | 621.8 | 638.2 | 654 | 669.1 | |
| 490 | 142 | 170 | 197.9 | 225.6 | 253.1 | 280.3 | 307.3 | 333.9 | 360.2 | 386.1 | 411.7 | 436.8 | 461.5 | 485.7 | 509.5 | 532.7 | 555.4 | 577.5 | 599 | 620 | 640.3 | 659.9 | 678.9 | 697.2 | 714.8 | 731.6 | |
| 500 | 153.9 | 184.4 | 214.6 | 244.7 | 274.5 | 304.1 | 333.4 | 362.3 | 390.9 | 419.2 | 447 | 474.4 | 501.3 | 527.8 | 553.7 | 579.1 | 603.9 | 628.2 | 651.8 | 674.8 | 697.2 | 718.8 | 739.8 | 760.1 | 779.6 | 798.3 | |



Winddruk: 691 N/m²
 Pression du vent: 691 N/m²
 Winddruck: 691 N/m²
 Windpressure: 691 N/m²
 L / 300
 Max doorbuiging:
 Max deflection:
 Max durchbiegung:
 Max deflection:
 max. 1.3 cm

VG500

| | | BREEDE / LARGEUR / BREITE / WIDTH (a of/ou/oder/or b) [CM] | | | | | | | | | | | | | | | | | | | | | | | | | | |
|---|-------|--|-------|-------|-------|-------|-------|-------|-------|-------|-------|-------|-------|-------|-------|-------|-------|-------|-------|-------|-------|-------|-------|-------|-------|--------|-------|--|
| | | 50 | 60 | 70 | 80 | 90 | 100 | 110 | 120 | 130 | 140 | 150 | 160 | 170 | 180 | 190 | 200 | 210 | 220 | 230 | 240 | 250 | 260 | 270 | 280 | 290 | 300 | |
| HOOGTE / HAUTEUR / HOHE / HEIGHT (H) [CM] | 100 | 1.2 | 1.3 | 1.5 | 1.6 | 1.6 | 1.6 | 1.8 | 1.9 | 2.1 | 2.3 | 2.4 | 2.6 | 2.7 | 2.9 | 3 | 3.2 | 3.4 | 3.5 | 3.7 | 3.8 | | | | | | | |
| | 110 | 1.6 | 1.8 | 2 | 2.2 | 2.3 | 2.3 | 2.4 | 2.6 | 2.8 | 3 | 3.2 | 3.4 | 3.6 | 3.8 | 4 | 4.3 | 4.5 | 4.7 | 4.9 | 5.1 | | | | | | | |
| | 120 | 2 | 2.4 | 2.6 | 2.9 | 3.1 | 3.2 | 3.3 | 3.3 | 3.6 | 3.9 | 4.1 | 4.4 | 4.7 | 5 | 5.2 | 5.5 | 5.8 | 6.1 | 6.3 | 6.6 | | | | | | | |
| | 130 | 2.6 | 3 | 3.4 | 3.8 | 4 | 4.3 | 4.4 | 4.5 | 4.6 | 4.9 | 5.3 | 5.6 | 5.9 | 6.3 | 6.6 | 7 | 7.3 | 7.7 | 8 | 8.4 | | | | | | | |
| | 140 | 3.3 | 3.8 | 4.3 | 4.8 | 5.2 | 5.5 | 5.8 | 6 | 6.1 | 6.1 | 6.5 | 7 | 7.4 | 7.8 | 8.3 | 8.7 | 9.1 | 9.6 | 10 | 10.4 | | | | | | | |
| | 150 | 4 | 4.7 | 5.4 | 6 | 6.5 | 7 | 7.3 | 7.6 | 7.9 | 8 | 8 | 8.6 | 9.1 | 9.6 | 10.2 | 10.7 | 11.2 | 11.8 | 12.3 | 12.8 | | | | | | | |
| | 160 | 4.9 | 5.8 | 6.6 | 7.3 | 8 | 8.6 | 9.2 | 9.6 | 9.9 | 10.2 | 10.3 | 10.4 | 11 | 11.7 | 12.3 | 13 | 13.6 | 14.3 | 14.9 | 15.6 | | | | | | | |
| | 170 | 5.9 | 7 | 8 | 8.9 | 9.8 | 10.5 | 11.2 | 11.8 | 12.3 | 12.7 | 13 | 13.2 | 13.2 | 14 | 14.8 | 15.6 | 16.3 | 17.1 | 17.9 | 18.7 | | | | | | | |
| | 180 | 7 | 8.3 | 9.5 | 10.7 | 11.7 | 12.7 | 13.6 | 14.4 | 15.1 | 15.6 | 16 | 16.4 | 16.6 | 16.6 | 17.5 | 18.5 | 19.4 | 20.3 | 21.2 | 22.1 | | | | | | | |
| | 190 | 8.3 | 9.8 | 11.3 | 12.6 | 13.9 | 15.1 | 16.2 | 17.2 | 18.1 | 18.9 | 19.5 | 20 | 20.3 | 20.6 | 20.6 | 21.7 | 22.8 | 23.9 | 25 | 26 | | | | | | | |
| | 200 | 9.7 | 11.5 | 13.2 | 14.8 | 16.4 | 17.9 | 19.2 | 20.4 | 21.5 | 22.5 | 23.4 | 24.1 | 24.6 | 25 | 25.2 | 25.3 | 26.6 | 27.8 | 29.1 | 30.4 | | | | | | | |
| | 210 | 11.2 | 13.3 | 15.3 | 17.3 | 19.1 | 20.9 | 22.5 | 24 | 25.4 | 26.6 | 27.7 | 28.6 | 29.4 | 30 | 30.4 | 30.7 | 30.8 | 32.2 | 33.7 | 35.1 | | | | | | | |
| | 220 | 12.9 | 15.3 | 17.7 | 20 | 22.1 | 24.2 | 26.1 | 27.9 | 29.6 | 31.1 | 32.5 | 33.7 | 34.7 | 35.5 | 36.2 | 36.6 | 36.9 | 37 | 38.7 | 40.4 | 42.1 | 43.8 | 45.4 | 47.1 | 48.8 | 50.5 | |
| | 230 | 14.8 | 17.6 | 20.3 | 22.9 | 25.4 | 27.8 | 30.1 | 32.2 | 34.2 | 36.1 | 37.7 | 39.2 | 40.5 | 41.6 | 42.6 | 43.3 | 43.8 | 44.1 | 44.2 | 46.1 | 48.1 | 50 | 51.9 | 53.8 | 55.7 | 57.7 | |
| | 240 | 16.8 | 20 | 23.1 | 26.1 | 29 | 31.8 | 34.5 | 37 | 39.3 | 41.5 | 43.5 | 45.3 | 47 | 48.4 | 49.6 | 50.6 | 51.4 | 52 | 52.3 | 52.4 | 54.6 | 56.8 | 59 | 61.2 | 63.3 | 65.5 | |
| | 250 | 19 | 22.6 | 26.2 | 29.6 | 33 | 36.2 | 39.2 | 42.1 | 44.9 | 47.4 | 49.8 | 52 | 54 | 55.8 | 57.3 | 58.7 | 59.8 | 60.6 | 61.2 | 61.6 | 61.7 | 64.2 | 66.6 | 69.1 | 71.6 | 74 | |
| | 260 | 21.4 | 25.5 | 29.5 | 33.4 | 37.2 | 40.9 | 44.4 | 47.7 | 50.9 | 53.9 | 56.7 | 59.3 | 61.7 | 63.8 | 65.8 | 67.4 | 68.9 | 70.1 | 71 | 71.7 | 72.1 | 72.2 | 75 | 77.7 | 80.5 | 83.3 | |
| | 270 | 24 | 28.6 | 33.1 | 37.5 | 41.8 | 46 | 50 | 53.8 | 57.4 | 60.9 | 64.2 | 67.2 | 70 | 72.6 | 74.9 | 77 | 78.8 | 80.4 | 81.7 | 82.7 | 83.4 | 83.8 | 83.9 | 87 | 90.2 | 93.3 | |
| | 280 | 26.8 | 31.9 | 37 | 42 | 46.8 | 51.5 | 56 | 60.3 | 64.5 | 68.5 | 72.2 | 75.7 | 79 | 82.1 | 84.8 | 87.4 | 89.6 | 91.6 | 93.2 | 94.6 | 95.7 | 96.5 | 96.9 | 97.1 | 100.5 | 104 | |
| | 290 | 29.8 | 35.5 | 41.2 | 46.7 | 52.1 | 57.4 | 62.5 | 67.4 | 72.1 | 76.6 | 80.9 | 84.9 | 88.7 | 92.3 | 95.6 | 98.6 | 101.3 | 103.7 | 105.8 | 107.6 | 109.1 | 110.2 | 111 | 111.5 | 111.7 | 115.5 | |
| | 300 | 33 | 39.4 | 45.7 | 51.8 | 57.8 | 63.7 | 69.4 | 74.9 | 80.2 | 85.3 | 90.2 | 94.8 | 99.2 | 103.3 | 107.1 | 110.6 | 113.8 | 116.7 | 119.3 | 121.6 | 123.5 | 125.1 | 126.3 | 127.2 | 127.7 | 127.9 | |
| | 310 | 36.4 | 43.5 | 50.4 | 57.3 | 64 | 70.5 | 76.9 | 83 | 89 | 94.7 | 100.2 | 105.4 | 110.4 | 115.1 | 119.5 | 123.6 | 127.3 | 130.8 | 133.9 | 136.7 | 139.1 | 141.1 | 142.8 | 144.1 | 145.1 | 145.6 | |
| | 320 | 40.1 | 47.9 | 55.5 | 63.1 | 70.5 | 77.7 | 84.8 | 91.7 | 98.3 | 104.7 | 110.9 | 116.8 | 122.4 | 127.7 | 132.7 | 137.4 | 141.8 | 145.8 | 149.5 | 152.8 | 155.8 | 158.4 | 160.6 | 162.4 | 163.8 | 164.8 | |
| | 330 | 44 | 52.5 | 61 | 69.3 | 77.5 | 85.5 | 93.3 | 100.9 | 108.2 | 115.4 | 122.2 | 128.9 | 135.2 | 141.2 | 146.9 | 152.2 | 157.3 | 161.9 | 166.2 | 170.2 | 173.7 | 176.8 | 179.6 | 181.9 | 183.8 | 185.3 | |
| | 340 | 48.1 | 57.5 | 66.8 | 75.9 | 84.9 | 93.7 | 102.3 | 110.7 | 118.8 | 126.7 | 134.4 | 141.7 | 148.8 | 155.5 | 162 | 168 | 173.8 | 179.1 | 184.1 | 188.7 | 192.8 | 196.6 | 199.9 | 202.9 | 205.3 | 207.4 | |
| 350 | 52.5 | 62.8 | 72.9 | 82.9 | 92.7 | 102.4 | 111.8 | 121.1 | 130 | 138.8 | 147.2 | 155.4 | 163.3 | 170.8 | 178 | 184.8 | 191.3 | 197.4 | 203.1 | 208.4 | 213.2 | 217.7 | 221.7 | 225.2 | 228.3 | 230.9 | | |
| 360 | 57.1 | 68.3 | 79.4 | 90.3 | 101 | 111.6 | 122 | 132.1 | 141.9 | 151.6 | 160.9 | 169.9 | 178.6 | 187 | 195 | 202.7 | 209.9 | 216.8 | 223.3 | 229.3 | 234.9 | 240.1 | 244.8 | 249 | 252.8 | 256 | | |
| 370 | 62.1 | 74.2 | 86.3 | 98.1 | 109.8 | 121.4 | 132.7 | 143.7 | 154.5 | 165.1 | 175.3 | 185.3 | 194.9 | 204.2 | 213.1 | 221.6 | 229.7 | 237.4 | 244.7 | 251.6 | 258 | 263.9 | 269.4 | 274.3 | 278.8 | 282.8 | | |
| 380 | 67.3 | 80.4 | 93.5 | 106.4 | 119.1 | 131.7 | 144 | 156 | 167.9 | 179.4 | 190.6 | 201.5 | 212.1 | 222.3 | 232.1 | 241.6 | 250.6 | 259.2 | 267.4 | 275.1 | 282.4 | 289.1 | 295.4 | 301.2 | 306.4 | 311.2 | | |
| 390 | 72.7 | 87 | 101.2 | 115.1 | 128.9 | 142.5 | 155.9 | 169 | 181.9 | 194.5 | 206.7 | 218.7 | 230.2 | 241.4 | 252.3 | 262.7 | 272.7 | 282.3 | 291.4 | 300 | 308.2 | 315.8 | 323 | 329.6 | 335.7 | 341.2 | | |
| 400 | 80.5 | 96.3 | 112 | 127.5 | 142.8 | 157.9 | 172.8 | 187.4 | 201.7 | 215.7 | 229.4 | 242.8 | 255.8 | 268.4 | 280.5 | 292.3 | 303.6 | 314.4 | 324.8 | 334.7 | 344 | 352.9 | 361.2 | 368.9 | 376 | 382.6 | | |
| 410 | 88.9 | 106.4 | 123.7 | 140.9 | 157.8 | 174.5 | 191 | 207.2 | 223.1 | 238.7 | 254 | 268.8 | 283.3 | 297.4 | 311.1 | 324.3 | 337 | 349.2 | 361 | 372.2 | 382.9 | 393 | 402.5 | 411.4 | 419.8 | 427.5 | | |
| 420 | 97.9 | 117.2 | 136.3 | 155.2 | 173.9 | 192.4 | 210.6 | 228.6 | 246.2 | 263.5 | 280.4 | 296.9 | 313 | 328.7 | 344 | 358.8 | 373 | 386.8 | 400 | 412.7 | 424.8 | 436.3 | 447.2 | 457.5 | 467.1 | 476.1 | | |
| 430 | 107.6 | 128.8 | 149.8 | 170.6 | 191.3 | 211.6 | 231.7 | 251.5 | 271 | 290.1 | 308.8 | 327.1 | 345 | 362.4 | 379.4 | 395.9 | 411.8 | 427.2 | 442.1 | 456.3 | 470 | 483 | 495.4 | 507.1 | 518.2 | 528.6 | | |
| 440 | 118 | 141.2 | 164.3 | 187.2 | 209.8 | 232.2 | 254.3 | 276.1 | 297.5 | 318.6 | 339.3 | 359.5 | 379.3 | 398.6 | 417.5 | 435.8 | 453.5 | 470.7 | 487.3 | 503.3 | 518.6 | 533.3 | 547.3 | 560.6 | 573.2 | 585.1 | | |
| 450 | 129.1 | 154.5 | 179.8 | 204.9 | 229.7 | 254.3 | 278.5 | 302.5 | 326 | 349.2 | 372 | 394.3 | 416.1 | 437.5 | 458.3 | 478.6 | 498.3 | 517.4 | 535.8 | 553.7 | 570.8 | 587.3 | 603.1 | 618.1 | 632.4 | 645.9 | | |
| 460 | 141 | 168.8 | 196.4 | 223.9 | 251 | 277.9 | 304.5 | 330.7 | 356.5 | 381.9 | 406.9 | 431.5 | 455.5 | 479 | 502 | 524.4 | 546.2 | 567.3 | 587.8 | 607.7 | 626.8 | 645.2 | 662.9 | 679.8 | 695.9 | 711.2 | | |
| 470 | 153.7 | 184 | 214.2 | 244.1 | 273.7 | 303.1 | 332.1 | 360.8 | 389.1 | 416.9 | 444.3 | 471.2 | 497.6 | 523.4 | 548.7 | 573.4 | 597.4 | 620.8 | 643.5 | 665.5 | 686.7 | 707.2 | 726.9 | 745.8 | 763.9 | 781.1 | | |
| 480 | 167.2 | 200.2 | 233.1 | 265.7 | 298 | 330 | 361.6 | 392.9 | 423.8 | 454.2 | 484.2 | 513.6 | 542.5 | 570.8 | 598.6 | 625.7 | 652.1 | 677.9 | 702.9 | 727.2 | 750.8 | 773.5 | 795.4 | 816.5 | 836.7 | 856 | | |
| 490 | 181.6 | 217.5 | 253.2 | 288.6 | 323.8 | 358.6 | 393.1 | 427.1 | 460.8 | 493.9 | 526.6 | 558.8 | 590.4 | 621.4 | 651.7 | 681.4 | 710.5 | 738.8 | 766.3 | 793.1 | 819.1 | 844.2 | 868.5 | 891.9 | 914.4 | 936 | | |
| 500 | 196.9 | 235.9 | 274.6 | 313 | 351.2 | 389 | 426.5 | 463.5 | 500.1 | 536.2 | 571.8 | 606.9 | 641.3 | 675.1 | 708.3 | 740.8 | 772.6 | 803.6 | 833.9 | 863.3 | 891.9 | 919.6 | 946.4 | 972.3 | 997.3 | 1021.3 | | |

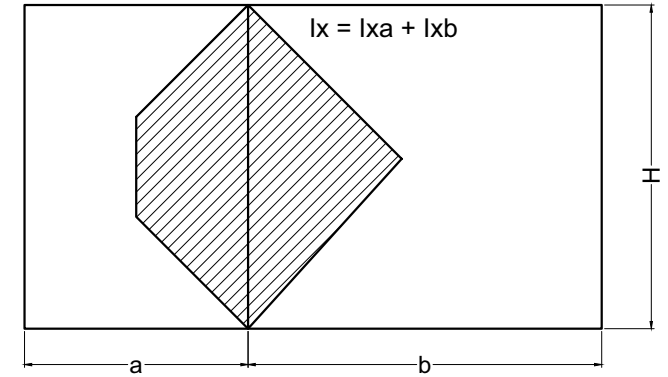


Winddruk: 884 N/m²
 Pression du vent: 884 N/m²
 Winddruck: 884 N/m²
 Windpressure: 884 N/m²

Max doorbuiging: L / 300
 Max deflection:
 Max durchbiegung: max. 1.3 cm
 Max deflection:

Bouwhoogte < 20 m (Klasse III)
 Hauteur de bâtiment < 20 m (Classe III)
 Bauhöhe < 20 m (Klasse III)
 Building height < 20 m (Class III)

| | BREEDTE / LARGEUR / BREITE / WIDTH (a of/ou/oder/or b) [CM] | | | | | | | | | | | | | | | | | | | | | | | | | | |
|-----|---|-------|-------|-------|-------|-------|-------|-------|-------|-------|-------|-------|-------|-------|-------|-------|-------|-------|-------|-------|-------|--------|--------|--------|--------|--------|--|
| | 50 | 60 | 70 | 80 | 90 | 100 | 110 | 120 | 130 | 140 | 150 | 160 | 170 | 180 | 190 | 200 | 210 | 220 | 230 | 240 | 250 | 260 | 270 | 280 | 290 | 300 | |
| 100 | 1.3 | 1.5 | 1.6 | 1.8 | 1.8 | 1.8 | 2 | 2.2 | 2.4 | 2.6 | 2.7 | 2.9 | 3.1 | 3.3 | 3.5 | 3.6 | 3.8 | 4 | 4.2 | 4.4 | | | | | | | |
| 110 | 1.8 | 2 | 2.3 | 2.4 | 2.6 | 2.7 | 2.7 | 2.9 | 3.2 | 3.4 | 3.6 | 3.9 | 4.1 | 4.4 | 4.6 | 4.8 | 5.1 | 5.3 | 5.5 | 5.8 | | | | | | | |
| 120 | 2.3 | 2.7 | 3 | 3.3 | 3.5 | 3.6 | 3.7 | 3.8 | 4.1 | 4.4 | 4.7 | 5 | 5.3 | 5.6 | 5.9 | 6.3 | 6.6 | 6.9 | 7.2 | 7.5 | | | | | | | |
| 130 | 3 | 3.4 | 3.9 | 4.3 | 4.6 | 4.8 | 5 | 5.1 | 5.2 | 5.6 | 6 | 6.4 | 6.8 | 7.2 | 7.5 | 7.9 | 8.3 | 8.7 | 9.1 | 9.5 | | | | | | | |
| 140 | 3.7 | 4.3 | 4.9 | 5.4 | 5.9 | 6.3 | 6.6 | 6.8 | 6.9 | 7 | 7.4 | 7.9 | 8.4 | 8.9 | 9.4 | 9.9 | 10.4 | 10.9 | 11.4 | 11.9 | | | | | | | |
| 150 | 4.6 | 5.4 | 6.1 | 6.8 | 7.4 | 7.9 | 8.3 | 8.7 | 8.9 | 9.1 | 9.1 | 9.8 | 10.4 | 11 | 11.6 | 12.2 | 12.8 | 13.4 | 14 | 14.6 | | | | | | | |
| 160 | 5.6 | 6.6 | 7.5 | 8.4 | 9.1 | 9.8 | 10.4 | 10.9 | 11.3 | 11.6 | 11.8 | 11.8 | 12.6 | 13.3 | 14 | 14.8 | 15.5 | 16.2 | 17 | 17.7 | | | | | | | |
| 170 | 6.7 | 7.9 | 9.1 | 10.1 | 11.1 | 12 | 12.8 | 13.5 | 14 | 14.5 | 14.8 | 15 | 15.1 | 15.9 | 16.8 | 17.7 | 18.6 | 19.5 | 20.3 | 21.2 | | | | | | | |
| 180 | 8 | 9.4 | 10.8 | 12.1 | 13.3 | 14.5 | 15.5 | 16.4 | 17.1 | 17.8 | 18.3 | 18.6 | 18.8 | 18.9 | 20 | 21 | 22.1 | 23.1 | 24.1 | 25.2 | | | | | | | |
| 190 | 9.4 | 11.1 | 12.8 | 14.4 | 15.9 | 17.2 | 18.5 | 19.6 | 20.6 | 21.5 | 22.2 | 22.7 | 23.1 | 23.4 | 23.5 | 24.7 | 25.9 | 27.2 | 28.4 | 29.6 | | | | | | | |
| 200 | 11 | 13 | 15 | 16.9 | 18.7 | 20.3 | 21.9 | 23.3 | 24.5 | 25.6 | 26.6 | 27.4 | 28 | 28.4 | 28.7 | 28.8 | 30.2 | 31.7 | 33.1 | 34.5 | | | | | | | |
| 210 | 12.8 | 15.1 | 17.4 | 19.7 | 21.8 | 23.7 | 25.6 | 27.3 | 28.9 | 30.3 | 31.5 | 32.5 | 33.4 | 34.1 | 34.6 | 34.9 | 35 | 36.7 | 38.3 | 40 | | | | | | | |
| 220 | 14.7 | 17.5 | 20.1 | 22.7 | 25.2 | 27.5 | 29.7 | 31.8 | 33.7 | 35.4 | 36.9 | 38.3 | 39.4 | 40.4 | 41.2 | 41.7 | 42 | 42.1 | 44 | 46 | 47.9 | 49.8 | 51.7 | 53.6 | 55.5 | 57.4 | |
| 230 | 16.8 | 20 | 23.1 | 26.1 | 28.9 | 31.7 | 34.3 | 36.7 | 39 | 41 | 42.9 | 44.6 | 46.1 | 47.4 | 48.4 | 49.3 | 49.8 | 50.2 | 50.3 | 52.5 | 54.7 | 56.9 | 59.1 | 61.3 | 63.4 | 65.6 | |
| 240 | 19.1 | 22.8 | 26.3 | 29.7 | 33 | 36.2 | 39.2 | 42.1 | 44.7 | 47.2 | 49.5 | 51.6 | 53.4 | 55.1 | 56.5 | 57.6 | 58.5 | 59.1 | 59.5 | 59.7 | 62.1 | 64.6 | 67.1 | 69.6 | 72.1 | 74.6 | |
| 250 | 21.6 | 25.8 | 29.8 | 33.7 | 37.5 | 41.1 | 44.6 | 47.9 | 51.1 | 54 | 56.7 | 59.2 | 61.5 | 63.5 | 65.2 | 66.7 | 68 | 69 | 69.7 | 70.1 | 70.2 | 73 | 75.8 | 78.6 | 81.5 | 84.3 | |
| 260 | 24.4 | 29 | 33.6 | 38 | 42.3 | 46.5 | 50.5 | 54.3 | 57.9 | 61.3 | 64.5 | 67.5 | 70.2 | 72.6 | 74.8 | 76.7 | 78.4 | 79.7 | 80.8 | 81.5 | 82 | 82.1 | 85.3 | 88.5 | 91.6 | 94.8 | |
| 270 | 27.3 | 32.5 | 37.7 | 42.7 | 47.6 | 52.3 | 56.9 | 61.2 | 65.4 | 69.3 | 73 | 76.5 | 79.7 | 82.6 | 85.3 | 87.6 | 89.7 | 91.5 | 92.9 | 94.1 | 94.9 | 95.4 | 95.5 | 99.1 | 102.6 | 106.1 | |
| 280 | 30.5 | 36.3 | 42.1 | 47.7 | 53.2 | 58.6 | 63.7 | 68.7 | 73.4 | 77.9 | 82.2 | 86.2 | 89.9 | 93.4 | 96.6 | 99.4 | 102 | 104.2 | 106.1 | 107.7 | 108.9 | 109.8 | 110.3 | 110.5 | 114.4 | 118.4 | |
| 290 | 33.9 | 40.4 | 46.9 | 53.2 | 59.3 | 65.3 | 71.1 | 76.7 | 82 | 87.2 | 92 | 96.7 | 101 | 105 | 108.7 | 112.2 | 115.2 | 118 | 120.4 | 122.4 | 124.1 | 125.4 | 126.4 | 126.9 | 127.1 | 131.5 | |
| 300 | 37.5 | 44.8 | 52 | 59 | 65.8 | 72.5 | 79 | 85.3 | 91.3 | 97.1 | 102.6 | 107.9 | 112.9 | 117.5 | 121.9 | 125.9 | 129.5 | 132.8 | 135.8 | 138.4 | 140.5 | 142.3 | 143.7 | 144.8 | 145.4 | 145.6 | |
| 310 | 41.4 | 49.5 | 57.4 | 65.2 | 72.8 | 80.2 | 87.5 | 94.5 | 101.2 | 107.8 | 114 | 120 | 125.6 | 131 | 136 | 140.6 | 144.9 | 148.8 | 152.4 | 155.5 | 158.3 | 160.6 | 162.5 | 164 | 165.1 | 165.7 | |
| 320 | 45.6 | 54.5 | 63.2 | 71.8 | 80.2 | 88.5 | 96.5 | 104.3 | 111.9 | 119.1 | 126.2 | 132.9 | 139.3 | 145.3 | 151 | 156.4 | 161.4 | 166 | 170.1 | 173.9 | 177.3 | 180.2 | 182.7 | 184.8 | 186.4 | 187.5 | |
| 330 | 50 | 59.8 | 69.4 | 78.9 | 88.2 | 97.3 | 106.1 | 114.8 | 123.2 | 131.3 | 139.1 | 146.6 | 153.8 | 160.7 | 167.1 | 173.2 | 179 | 184.3 | 189.2 | 193.6 | 197.7 | 201.2 | 204.4 | 207 | 209.2 | 210.9 | |
| 340 | 54.7 | 65.4 | 76 | 86.4 | 96.6 | 106.6 | 116.4 | 125.9 | 135.2 | 144.2 | 152.9 | 161.3 | 169.3 | 177 | 184.3 | 191.2 | 197.7 | 203.8 | 209.5 | 214.7 | 219.4 | 223.7 | 227.5 | 230.8 | 233.7 | 236 | |
| 350 | 59.7 | 71.4 | 83 | 94.3 | 105.5 | 116.5 | 127.3 | 137.8 | 148 | 157.9 | 167.6 | 176.8 | 185.8 | 194.4 | 202.5 | 210.3 | 217.7 | 224.6 | 231.1 | 237.1 | 242.6 | 247.7 | 252.2 | 256.3 | 259.8 | 262.8 | |
| 360 | 65 | 77.8 | 90.3 | 102.8 | 115 | 127 | 138.8 | 150.3 | 161.5 | 172.5 | 183.1 | 193.4 | 203.3 | 212.8 | 221.9 | 230.6 | 238.9 | 246.7 | 254.1 | 261 | 267.3 | 273.2 | 278.6 | 283.4 | 287.7 | 291.4 | |
| 370 | 70.6 | 84.5 | 98.2 | 111.7 | 125 | 138.1 | 151 | 163.6 | 175.9 | 187.9 | 199.5 | 210.8 | 221.8 | 232.3 | 242.4 | 252.1 | 261.4 | 270.2 | 278.5 | 286.3 | 293.6 | 300.3 | 306.5 | 312.2 | 317.3 | 321.8 | |
| 380 | 76.5 | 91.5 | 106.4 | 121.1 | 135.6 | 149.8 | 163.8 | 177.6 | 191 | 204.1 | 216.9 | 229.3 | 241.3 | 253 | 264.2 | 274.9 | 285.2 | 295 | 304.3 | 313.1 | 321.3 | 329 | 336.2 | 342.7 | 348.7 | 354.1 | |
| 390 | 82.8 | 99 | 115.1 | 131 | 146.7 | 162.2 | 177.4 | 192.4 | 207 | 221.3 | 235.2 | 248.8 | 262 | 274.8 | 287.1 | 298.9 | 310.3 | 321.2 | 331.6 | 341.4 | 350.7 | 359.4 | 367.6 | 375.1 | 382 | 388.3 | |
| 400 | 91.6 | 109.6 | 127.4 | 145.1 | 162.5 | 179.7 | 196.6 | 213.3 | 229.6 | 245.5 | 261.1 | 276.3 | 291.1 | 305.4 | 319.2 | 332.6 | 345.5 | 357.8 | 369.6 | 380.9 | 391.5 | 401.6 | 411 | 419.8 | 427.9 | 435.4 | |
| 410 | 101.1 | 121 | 140.8 | 160.3 | 179.6 | 198.6 | 217.4 | 235.8 | 253.9 | 271.7 | 289 | 305.9 | 322.4 | 338.4 | 354 | 369 | 383.5 | 397.4 | 410.8 | 423.5 | 435.7 | 447.2 | 458 | 468.2 | 477.7 | 486.5 | |
| 420 | 111.4 | 133.3 | 155.1 | 176.6 | 197.9 | 219 | 239.7 | 260.1 | 280.1 | 299.8 | 319.1 | 337.9 | 356.2 | 374.1 | 391.4 | 408.3 | 424.5 | 440.2 | 455.2 | 469.6 | 483.4 | 496.5 | 508.9 | 520.6 | 531.6 | 541.8 | |
| 430 | 122.4 | 146.5 | 170.5 | 194.2 | 217.6 | 240.8 | 263.7 | 286.2 | 308.3 | 330.1 | 351.4 | 372.2 | 392.6 | 412.5 | 431.8 | 450.5 | 468.7 | 486.2 | 503.1 | 519.3 | 534.8 | 549.7 | 563.8 | 577.1 | 589.7 | 601.5 | |
| 440 | 134.2 | 160.7 | 187 | 213 | 238.8 | 264.3 | 289.4 | 314.2 | 338.6 | 362.6 | 386.1 | 409.1 | 431.7 | 453.7 | 475.1 | 495.9 | 516.1 | 535.7 | 554.5 | 572.7 | 590.2 | 606.9 | 622.8 | 638 | 652.3 | 665.8 | |
| 450 | 146.9 | 175.9 | 204.6 | 233.2 | 261.4 | 289.4 | 317 | 344.2 | 371 | 397.4 | 423.3 | 448.7 | 473.5 | 497.8 | 521.5 | 544.6 | 567 | 588.7 | 609.8 | 630.1 | 649.6 | 668.3 | 686.3 | 703.4 | 719.7 | 735 | |
| 460 | 160.4 | 192.1 | 223.5 | 254.7 | 285.7 | 316.2 | 346.5 | 376.3 | 405.7 | 434.6 | 463.1 | 491 | 518.4 | 545.1 | 571.3 | 596.7 | 621.5 | 645.6 | 669 | 691.5 | 713.3 | 734.3 | 754.4 | 773.6 | 791.9 | 809.3 | |
| 470 | 174.9 | 209.4 | 243.7 | 277.8 | 311.5 | 344.9 | 378 | 410.6 | 442.7 | 474.4 | 505.6 | 536.2 | 566.3 | 595.7 | 624.4 | 652.5 | 679.9 | 706.5 | 732.3 | 757.3 | 781.5 | 804.8 | 827.3 | 848.8 | 869.3 | 888.9 | |
| 480 | 190.3 | 227.9 | 265.2 | 302.3 | 339.1 | 375.5 | 411.5 | 447.1 | 482.3 | 516.9 | 551 | 584.5 | 617.4 | 649.6 | 681.2 | 712 | 742.1 | 771.4 | 799.9 | 827.6 | 854.4 | 880.2 | 905.2 | 929.2 | 952.2 | 974.1 | |
| 490 | 206.6 | 247.5 | 288.1 | 328.4 | 368.4 | 408.1 | 447.3 | 486.1 | 524.3 | 562.1 | 599.3 | 635.9 | 671.8 | 707.1 | 741.7 | 775.5 | 808.5 | 840.7 | 872.1 | 902.6 | 932.1 | 960.7 | 988.4 | 1015 | 1040.6 | 1065.1 | |
| 500 | 224.1 | 268.4 | 312.5 | 356.2 | 399.7 | 442.7 | 485.3 | 527.5 | 569.1 | 610.2 | 650.7 | 690.6 | 729.8 | 768.3 | 806.1 | 843 | 879.2 | 914.5 | 948.9 | 982.4 | 1015 | 1046.5 | 1077.1 | 1106.5 | 1134.9 | 1162.2 | |



Winddruk: 1006 N/m²
 Pression du vent: 1006 N/m²
 Winddruck: 1006 N/m²
 Windpressure: 1006 N/m²

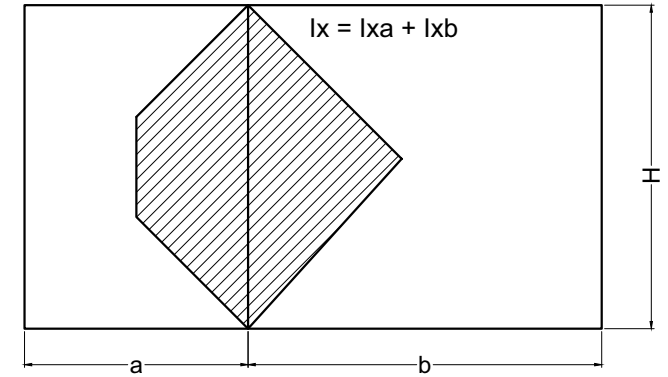
Max doorbuiging:
 Max deflection:
 Max durchbiegung:
 Max deflection:

L / 300
 max. 1.3 cm

Bouwhoogte < 30 m (Klasse III)
 Hauteur de bâtiment < 30 m (Classe III)
 Bauhöhe < 30 m (Klasse III)
 Building height < 30 m (Class III)

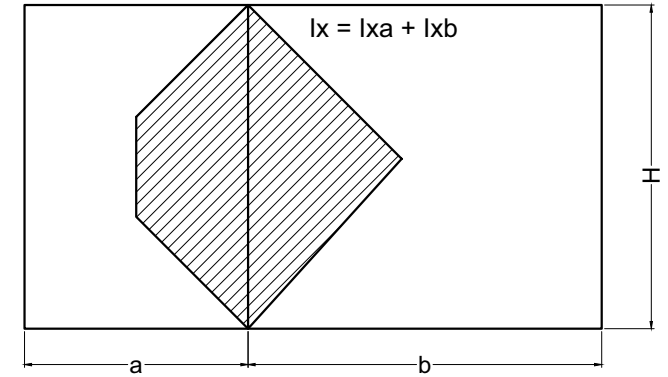
VG500

| | | BREEDE / LARGEUR / BREITE / WIDTH (a of/ou/oder/or b) [CM] | | | | | | | | | | | | | | | | | | | | | | | | | | | | | | | | | |
|---|-------|--|-------|-------|-------|-------|-------|-------|-------|-------|-------|-------|-------|-------|-------|-------|-------|-------|--------|--------|--------|--------|--------|--------|--------|--------|-------|--|--|--|--|--|--|--|--|
| | | 50 | 60 | 70 | 80 | 90 | 100 | 110 | 120 | 130 | 140 | 150 | 160 | 170 | 180 | 190 | 200 | 210 | 220 | 230 | 240 | 250 | 260 | 270 | 280 | 290 | 300 | | | | | | | | |
| HOOGTE / HAUTEUR / HOHE / HEIGHT (H) [CM] | 100 | 1.4 | 1.6 | 1.8 | 1.9 | 2 | 2 | 2.2 | 2.4 | 2.6 | 2.8 | 3 | 3.2 | 3.4 | 3.6 | 3.8 | 4 | 4.2 | 4.4 | 4.6 | 4.7 | | | | | | | | | | | | | | |
| | 110 | 1.9 | 2.2 | 2.5 | 2.7 | 2.8 | 2.9 | 2.9 | 3.2 | 3.4 | 3.7 | 4 | 4.2 | 4.5 | 4.7 | 5 | 5.3 | 5.5 | 5.8 | 6 | 6.3 | | | | | | | | | | | | | | |
| | 120 | 2.5 | 2.9 | 3.3 | 3.6 | 3.8 | 4 | 4.1 | 4.1 | 4.4 | 4.8 | 5.1 | 5.5 | 5.8 | 6.1 | 6.5 | 6.8 | 7.2 | 7.5 | 7.8 | 8.2 | | | | | | | | | | | | | | |
| | 130 | 3.2 | 3.7 | 4.2 | 4.6 | 5 | 5.3 | 5.5 | 5.6 | 5.6 | 6.1 | 6.5 | 6.9 | 7.4 | 7.8 | 8.2 | 8.6 | 9.1 | 9.5 | 9.9 | 10.4 | | | | | | | | | | | | | | |
| | 140 | 4 | 4.7 | 5.4 | 5.9 | 6.4 | 6.8 | 7.1 | 7.4 | 7.5 | 7.6 | 8.1 | 8.6 | 9.2 | 9.7 | 10.3 | 10.8 | 11.3 | 11.9 | 12.4 | 12.9 | | | | | | | | | | | | | | |
| | 150 | 5 | 5.9 | 6.7 | 7.4 | 8 | 8.6 | 9.1 | 9.5 | 9.7 | 9.9 | 10 | 10.6 | 11.3 | 11.9 | 12.6 | 13.3 | 13.9 | 14.6 | 15.2 | 15.9 | | | | | | | | | | | | | | |
| | 160 | 6.1 | 7.1 | 8.2 | 9.1 | 9.9 | 10.7 | 11.3 | 11.9 | 12.3 | 12.6 | 12.8 | 12.9 | 13.7 | 14.5 | 15.3 | 16.1 | 16.9 | 17.7 | 18.5 | 19.3 | | | | | | | | | | | | | | |
| | 170 | 7.3 | 8.6 | 9.9 | 11 | 12.1 | 13.1 | 13.9 | 14.7 | 15.3 | 15.8 | 16.1 | 16.3 | 16.4 | 17.4 | 18.3 | 19.3 | 20.2 | 21.2 | 22.2 | 23.1 | | | | | | | | | | | | | | |
| | 180 | 8.7 | 10.3 | 11.8 | 13.2 | 14.5 | 15.8 | 16.8 | 17.8 | 18.6 | 19.3 | 19.9 | 20.3 | 20.5 | 20.6 | 21.7 | 22.9 | 24 | 25.2 | 26.3 | 27.4 | | | | | | | | | | | | | | |
| | 190 | 10.2 | 12.1 | 13.9 | 15.7 | 17.3 | 18.8 | 20.1 | 21.4 | 22.5 | 23.4 | 24.2 | 24.8 | 25.2 | 25.5 | 25.6 | 26.9 | 28.2 | 29.6 | 30.9 | 32.3 | | | | | | | | | | | | | | |
| | 200 | 12 | 14.2 | 16.3 | 18.4 | 20.3 | 22.1 | 23.8 | 25.3 | 26.7 | 27.9 | 29 | 29.8 | 30.5 | 31 | 31.3 | 31.4 | 32.9 | 34.5 | 36.1 | 37.6 | | | | | | | | | | | | | | |
| | 210 | 13.9 | 16.5 | 19 | 21.4 | 23.7 | 25.9 | 27.9 | 29.7 | 31.4 | 33 | 34.3 | 35.5 | 36.4 | 37.1 | 37.7 | 38 | 38.1 | 39.9 | 41.7 | 43.6 | | | | | | | | | | | | | | |
| | 220 | 16 | 19 | 21.9 | 24.7 | 27.4 | 30 | 32.4 | 34.6 | 36.7 | 38.6 | 40.2 | 41.7 | 43 | 44 | 44.8 | 45.4 | 45.8 | 45.9 | 48 | 50.1 | 52.1 | 54.2 | 56.3 | 58.4 | 60.5 | 62.6 | | | | | | | | |
| | 230 | 18.3 | 21.8 | 25.1 | 28.4 | 31.5 | 34.5 | 37.3 | 40 | 42.4 | 44.7 | 46.8 | 48.6 | 50.2 | 51.6 | 52.8 | 53.7 | 54.3 | 54.7 | 54.8 | 57.2 | 59.6 | 62 | 64.3 | 66.7 | 69.1 | 71.5 | | | | | | | | |
| | 240 | 20.8 | 24.8 | 28.6 | 32.4 | 36 | 39.4 | 42.7 | 45.8 | 48.7 | 51.5 | 53.9 | 56.2 | 58.2 | 60 | 61.5 | 62.7 | 63.7 | 64.4 | 64.8 | 65 | 67.7 | 70.4 | 73.1 | 75.8 | 78.5 | 81.2 | | | | | | | | |
| | 250 | 23.6 | 28.1 | 32.5 | 36.7 | 40.9 | 44.8 | 48.6 | 52.2 | 55.6 | 58.8 | 61.8 | 64.5 | 66.9 | 69.1 | 71.1 | 72.7 | 74.1 | 75.1 | 75.9 | 76.3 | 76.5 | 79.6 | 82.6 | 85.7 | 88.7 | 91.8 | | | | | | | | |
| | 260 | 26.5 | 31.6 | 36.6 | 41.4 | 46.1 | 50.7 | 55 | 59.2 | 63.1 | 66.8 | 70.3 | 73.5 | 76.5 | 79.1 | 81.5 | 83.6 | 85.4 | 86.9 | 88 | 88.8 | 89.3 | 89.5 | 92.9 | 96.4 | 99.8 | 103.2 | | | | | | | | |
| | 270 | 29.7 | 35.5 | 41.1 | 46.5 | 51.8 | 57 | 61.9 | 66.7 | 71.2 | 75.5 | 79.5 | 83.3 | 86.8 | 90 | 92.9 | 95.5 | 97.7 | 99.6 | 101.2 | 102.5 | 103.3 | 103.9 | 104.1 | 107.9 | 111.8 | 115.6 | | | | | | | | |
| | 280 | 33.2 | 39.6 | 45.9 | 52 | 58 | 63.8 | 69.4 | 74.8 | 80 | 84.9 | 89.5 | 93.9 | 98 | 101.7 | 105.2 | 108.3 | 111.1 | 113.5 | 115.6 | 117.3 | 118.6 | 119.6 | 120.2 | 120.3 | 124.6 | 128.9 | | | | | | | | |
| | 290 | 36.9 | 44 | 51 | 57.9 | 64.6 | 71.1 | 77.4 | 83.5 | 89.4 | 95 | 100.3 | 105.3 | 110 | 114.4 | 118.5 | 122.2 | 125.5 | 128.5 | 131.1 | 133.4 | 135.2 | 136.6 | 137.7 | 138.3 | 138.5 | 143.2 | | | | | | | | |
| | 300 | 40.9 | 48.8 | 56.6 | 64.2 | 71.7 | 79 | 86.1 | 92.9 | 99.5 | 105.8 | 111.8 | 117.6 | 123 | 128 | 132.8 | 137.1 | 141.1 | 144.7 | 147.9 | 150.7 | 153.1 | 155.1 | 156.6 | 157.7 | 158.4 | 158.6 | | | | | | | | |
| | 310 | 45.1 | 53.9 | 62.5 | 71 | 79.3 | 87.4 | 95.3 | 102.9 | 110.3 | 117.4 | 124.2 | 130.7 | 136.9 | 142.7 | 148.1 | 153.2 | 157.9 | 162.1 | 166 | 169.4 | 172.4 | 175 | 177 | 178.7 | 179.9 | 180.6 | | | | | | | | |
| | 320 | 49.7 | 59.3 | 68.9 | 78.2 | 87.4 | 96.4 | 105.1 | 113.6 | 121.9 | 129.8 | 137.4 | 144.7 | 151.7 | 158.3 | 164.5 | 170.4 | 175.8 | 180.8 | 185.4 | 189.5 | 193.1 | 196.3 | 199 | 201.3 | 203 | 204.3 | | | | | | | | |
| | 330 | 54.5 | 65.1 | 75.6 | 85.9 | 96 | 105.9 | 115.6 | 125 | 134.2 | 143 | 151.6 | 159.7 | 167.6 | 175 | 182.1 | 188.7 | 195 | 200.8 | 206.1 | 211 | 215.3 | 219.2 | 222.6 | 225.5 | 227.9 | 229.8 | | | | | | | | |
| | 340 | 59.6 | 71.3 | 82.8 | 94.1 | 105.2 | 116.1 | 126.8 | 137.2 | 147.3 | 157.1 | 166.6 | 175.7 | 184.5 | 192.8 | 200.8 | 208.3 | 215.4 | 222 | 228.2 | 233.9 | 239.1 | 243.7 | 247.9 | 251.5 | 254.6 | 257.1 | | | | | | | | |
| | 350 | 65.1 | 77.8 | 90.4 | 102.8 | 115 | 126.9 | 138.6 | 150.1 | 161.2 | 172 | 182.5 | 192.7 | 202.4 | 211.7 | 220.7 | 229.1 | 237.2 | 244.7 | 251.8 | 258.3 | 264.4 | 269.8 | 274.8 | 279.2 | 283 | 286.3 | | | | | | | | |
| | 360 | 70.8 | 84.7 | 98.4 | 111.9 | 125.3 | 138.4 | 151.2 | 163.7 | 176 | 187.9 | 199.5 | 210.7 | 221.4 | 231.8 | 241.8 | 251.3 | 260.3 | 268.8 | 276.8 | 284.3 | 291.3 | 297.6 | 303.5 | 308.7 | 313.4 | 317.4 | | | | | | | | |
| | 370 | 76.9 | 92 | 106.9 | 121.7 | 136.2 | 150.5 | 164.5 | 178.2 | 191.6 | 204.7 | 217.4 | 229.7 | 241.6 | 253.1 | 264.1 | 274.7 | 284.8 | 294.3 | 303.4 | 311.9 | 319.8 | 327.2 | 333.9 | 340.1 | 345.7 | 350.6 | | | | | | | | |
| | 380 | 83.4 | 99.7 | 115.9 | 131.9 | 147.7 | 163.2 | 178.5 | 193.5 | 208.1 | 222.4 | 236.3 | 249.8 | 262.9 | 275.6 | 287.8 | 299.5 | 310.7 | 321.4 | 331.5 | 341.1 | 350.1 | 358.5 | 366.2 | 373.4 | 379.9 | 385.8 | | | | | | | | |
| | 390 | 90.2 | 107.9 | 125.4 | 142.7 | 159.9 | 176.7 | 193.3 | 209.6 | 225.5 | 241.1 | 256.3 | 271.1 | 285.4 | 299.3 | 312.8 | 325.7 | 338.1 | 349.9 | 361.2 | 372 | 382.1 | 391.6 | 400.4 | 408.6 | 416.2 | 423.1 | | | | | | | | |
| 400 | 99.8 | 119.4 | 138.8 | 158.1 | 177.1 | 195.8 | 214.2 | 232.3 | 250.1 | 267.5 | 284.5 | 301 | 317.1 | 332.7 | 347.8 | 362.4 | 376.4 | 389.8 | 402.7 | 414.9 | 426.5 | 437.5 | 447.8 | 457.3 | 466.2 | 474.4 | | | | | | | | | |
| 410 | 110.2 | 131.9 | 153.3 | 174.6 | 195.6 | 216.4 | 236.8 | 256.9 | 276.6 | 296 | 314.9 | 333.3 | 351.3 | 368.7 | 385.6 | 402 | 417.8 | 433 | 447.5 | 461.4 | 474.7 | 487.2 | 499 | 510.1 | 520.5 | 530 | | | | | | | | | |
| 420 | 121.4 | 145.3 | 169 | 192.4 | 215.6 | 238.5 | 261.1 | 283.4 | 305.2 | 326.6 | 347.6 | 368.1 | 388.1 | 407.6 | 426.5 | 444.8 | 462.5 | 479.5 | 495.9 | 511.6 | 526.6 | 540.9 | 554.4 | 567.2 | 579.1 | 590.3 | | | | | | | | | |
| 430 | 133.4 | 159.6 | 185.7 | 211.5 | 237.1 | 262.4 | 287.3 | 311.8 | 335.9 | 359.6 | 382.8 | 405.5 | 427.7 | 449.4 | 470.4 | 490.8 | 510.6 | 529.7 | 548.1 | 565.8 | 582.7 | 598.8 | 614.2 | 628.7 | 642.5 | 655.3 | | | | | | | | | |
| 440 | 146.2 | 175.1 | 203.7 | 232.1 | 260.1 | 287.9 | 315.3 | 342.3 | 368.9 | 395 | 420.6 | 445.7 | 470.3 | 494.2 | 517.6 | 540.3 | 562.3 | 583.6 | 604.1 | 623.9 | 643 | 661.2 | 678.5 | 695.1 | 710.7 | 725.4 | | | | | | | | | |
| 450 | 160 | 191.6 | 223 | 254 | 284.8 | 315.3 | 345.3 | 375 | 404.2 | 432.9 | 461.2 | 488.8 | 515.9 | 542.4 | 568.2 | 593.3 | 617.7 | 641.4 | 664.3 | 686.4 | 707.7 | 728.1 | 747.7 | 766.3 | 784 | 800.8 | | | | | | | | | |
| 460 | 174.8 | 209.3 | 243.5 | 277.5 | 311.2 | 344.5 | 377.5 | 410 | 442 | 473.5 | 504.5 | 534.9 | 564.7 | 593.9 | 622.4 | 650.1 | 677.1 | 703.4 | 728.8 | 753.4 | 777.1 | 799.9 | 821.8 | 842.8 | 862.8 | 881.7 | | | | | | | | | |
| 470 | 190.5 | 228.1 | 265.5 | 302.6 | 339.4 | 375.8 | 411.8 | 447.3 | 482.4 | 516.9 | 550.8 | 584.2 | 616.9 | 649 | 680.3 | 710.9 | 740.7 | 769.7 | 797.8 | 825.1 | 851.4 | 876.8 | 901.3 | 924.7 | 947.1 | 968.5 | | | | | | | | | |
| 480 | 207.3 | 248.2 | 288.9 | 329.4 | 369.4 | 409.1 | 448.3 | 487.1 | 525.4 | 563.1 | 600.3 | 636.8 | 672.6 | 707.7 | 742.1 | 775.7 | 808.5 | 840.4 | 871.5 | 901.6 | 930.8 | 959 | 986.2 | 1012.3 | 1037.3 | 1061.3 | | | | | | | | | |
| 490 | 225.1 | 269.6 | 313.9 | 357.8 | 401.4 | 444.6 | 487.3 | 529.5 | 571.3 | 612.4 | 652.9 | 692.8 | 731.9 | 770.4 | 808 | 844.9 | 880.8 | 915.9 | 950.1 | 983.3 | 1015.5 | 1046.7 | 1076.8 | 1105.8 | 1133.7 | 1160.4 | | | | | | | | | |
| 500 | 244.1 | 292.4 | 340.4 | 388.1 | 435.4 | 482.3 | 528.7 | 574.7 | 620 | 664.8 | 708.9 | 752.4 | 795.1 | 837 | 878.2 | 918.5 | 957.9 | 996.3 | 1033.8 | 1070.3 | 1105.8 | 1140.1 | 1173.4 | 1205.5 | 1236.4 | 1266.2 | | | | | | | | | |



Winddruk: 1096 N/m²
 Pression du vent: 1096 N/m²
 Winddruck: 1096 N/m²
 Windpressure: 1096 N/m²
 Max doorbuiging: L / 300
 Max deflection:
 Max durchbiegung: max. 1.3 cm
 Max deflection:

| | BREEDTE / LARGEUR / BREITE / WIDTH (a of/ou/oder/or b) [CM] | | | | | | | | | | | | | | | | | | | | | | | | | | |
|-----|---|-------|-------|-------|-------|-------|-------|-------|-------|-------|-------|-------|-------|-------|-------|-------|--------|--------|--------|--------|--------|--------|--------|--------|--------|--------|--|
| | 50 | 60 | 70 | 80 | 90 | 100 | 110 | 120 | 130 | 140 | 150 | 160 | 170 | 180 | 190 | 200 | 210 | 220 | 230 | 240 | 250 | 260 | 270 | 280 | 290 | 300 | |
| 100 | 1.5 | 1.7 | 1.9 | 2 | 2.1 | 2.1 | 2.3 | 2.6 | 2.8 | 3 | 3.2 | 3.4 | 3.6 | 3.8 | 4 | 4.2 | 4.4 | 4.6 | 4.8 | 5.1 | | | | | | | |
| 110 | 2 | 2.4 | 2.6 | 2.8 | 3 | 3.1 | 3.1 | 3.4 | 3.7 | 3.9 | 4.2 | 4.5 | 4.8 | 5 | 5.3 | 5.6 | 5.9 | 6.2 | 6.4 | 6.7 | | | | | | | |
| 120 | 2.7 | 3.1 | 3.5 | 3.8 | 4 | 4.2 | 4.3 | 4.4 | 4.7 | 5.1 | 5.5 | 5.8 | 6.2 | 6.5 | 6.9 | 7.3 | 7.6 | 8 | 8.3 | 8.7 | | | | | | | |
| 130 | 3.4 | 4 | 4.5 | 4.9 | 5.3 | 5.6 | 5.8 | 6 | 6 | 6.5 | 6.9 | 7.4 | 7.8 | 8.3 | 8.8 | 9.2 | 9.7 | 10.1 | 10.6 | 11 | | | | | | | |
| 140 | 4.3 | 5 | 5.7 | 6.3 | 6.8 | 7.3 | 7.6 | 7.9 | 8 | 8.1 | 8.6 | 9.2 | 9.8 | 10.4 | 10.9 | 11.5 | 12.1 | 12.6 | 13.2 | 13.8 | | | | | | | |
| 150 | 5.3 | 6.2 | 7.1 | 7.9 | 8.6 | 9.2 | 9.7 | 10.1 | 10.4 | 10.6 | 10.6 | 11.3 | 12 | 12.7 | 13.4 | 14.1 | 14.8 | 15.5 | 16.2 | 16.9 | | | | | | | |
| 160 | 6.5 | 7.6 | 8.7 | 9.7 | 10.6 | 11.4 | 12.1 | 12.7 | 13.1 | 13.5 | 13.7 | 13.7 | 14.6 | 15.4 | 16.3 | 17.1 | 18 | 18.8 | 19.7 | 20.6 | | | | | | | |
| 170 | 7.8 | 9.2 | 10.5 | 11.7 | 12.9 | 13.9 | 14.8 | 15.6 | 16.3 | 16.8 | 17.2 | 17.4 | 17.5 | 18.5 | 19.5 | 20.5 | 21.6 | 22.6 | 23.6 | 24.6 | | | | | | | |
| 180 | 9.3 | 11 | 12.6 | 14.1 | 15.5 | 16.8 | 18 | 19 | 19.9 | 20.6 | 21.2 | 21.6 | 21.9 | 21.9 | 23.2 | 24.4 | 25.6 | 26.8 | 28 | 29.2 | | | | | | | |
| 190 | 10.9 | 12.9 | 14.9 | 16.7 | 18.4 | 20 | 21.5 | 22.8 | 23.9 | 24.9 | 25.7 | 26.4 | 26.9 | 27.1 | 27.2 | 28.7 | 30.1 | 31.5 | 33 | 34.4 | | | | | | | |
| 200 | 12.8 | 15.1 | 17.4 | 19.6 | 21.7 | 23.6 | 25.4 | 27 | 28.5 | 29.7 | 30.9 | 31.8 | 32.5 | 33 | 33.3 | 33.4 | 35.1 | 36.8 | 38.4 | 40.1 | | | | | | | |
| 210 | 14.8 | 17.6 | 20.2 | 22.8 | 25.3 | 27.6 | 29.7 | 31.7 | 33.5 | 35.1 | 36.6 | 37.8 | 38.8 | 39.6 | 40.2 | 40.5 | 40.6 | 42.5 | 44.5 | 46.4 | | | | | | | |
| 220 | 17 | 20.3 | 23.4 | 26.4 | 29.2 | 31.9 | 34.5 | 36.9 | 39.1 | 41.1 | 42.9 | 44.4 | 45.8 | 46.9 | 47.8 | 48.4 | 48.8 | 48.9 | 51.1 | 53.4 | 55.6 | 57.8 | 60 | 62.2 | 64.5 | 66.7 | |
| 230 | 19.5 | 23.2 | 26.8 | 30.3 | 33.6 | 36.8 | 39.8 | 42.6 | 45.2 | 47.6 | 49.8 | 51.8 | 53.5 | 55 | 56.2 | 57.2 | 57.9 | 58.3 | 58.4 | 61 | 63.5 | 66 | 68.6 | 71.1 | 73.6 | 76.2 | |
| 240 | 22.2 | 26.4 | 30.5 | 34.5 | 38.3 | 42 | 45.5 | 48.8 | 51.9 | 54.8 | 57.5 | 59.9 | 62 | 63.9 | 65.5 | 66.9 | 67.9 | 68.6 | 69.1 | 69.2 | 72.1 | 75 | 77.9 | 80.8 | 83.7 | 86.5 | |
| 250 | 25.1 | 29.9 | 34.6 | 39.1 | 43.5 | 47.8 | 51.8 | 55.7 | 59.3 | 62.7 | 65.8 | 68.7 | 71.3 | 73.7 | 75.7 | 77.5 | 78.9 | 80.1 | 80.9 | 81.4 | 81.5 | 84.8 | 88 | 91.3 | 94.6 | 97.8 | |
| 260 | 28.3 | 33.7 | 39 | 44.2 | 49.2 | 54 | 58.6 | 63.1 | 67.3 | 71.2 | 74.9 | 78.3 | 81.5 | 84.3 | 86.9 | 89.1 | 91 | 92.6 | 93.8 | 94.7 | 95.2 | 95.4 | 99 | 102.7 | 106.4 | 110 | |
| 270 | 31.7 | 37.8 | 43.8 | 49.6 | 55.2 | 60.7 | 66 | 71.1 | 75.9 | 80.5 | 84.8 | 88.8 | 92.5 | 95.9 | 99 | 101.7 | 104.1 | 106.2 | 107.9 | 109.2 | 110.1 | 110.7 | 110.9 | 115 | 119.1 | 123.2 | |
| 280 | 35.4 | 42.2 | 48.9 | 55.4 | 61.8 | 68 | 74 | 79.7 | 85.2 | 90.4 | 95.4 | 100.1 | 104.4 | 108.4 | 112.1 | 115.4 | 118.4 | 121 | 123.2 | 125 | 126.4 | 127.4 | 128 | 128.2 | 132.8 | 137.4 | |
| 290 | 39.3 | 46.9 | 54.4 | 61.7 | 68.9 | 75.8 | 82.5 | 89 | 95.2 | 101.2 | 106.9 | 112.2 | 117.2 | 121.9 | 126.2 | 130.2 | 133.8 | 137 | 139.8 | 142.1 | 144.1 | 145.6 | 146.7 | 147.3 | 147.6 | 152.7 | |
| 300 | 43.6 | 52 | 60.3 | 68.5 | 76.4 | 84.2 | 91.7 | 99 | 106 | 112.7 | 119.2 | 125.3 | 131 | 136.4 | 141.5 | 146.1 | 150.4 | 154.2 | 157.6 | 160.6 | 163.2 | 165.3 | 166.9 | 168.1 | 168.8 | 169 | |
| 310 | 48.1 | 57.4 | 66.6 | 75.7 | 84.5 | 93.1 | 101.5 | 109.7 | 117.5 | 125.1 | 132.4 | 139.3 | 145.8 | 152 | 157.8 | 163.2 | 168.2 | 172.8 | 176.9 | 180.5 | 183.7 | 186.4 | 188.7 | 190.4 | 191.7 | 192.4 | |
| 320 | 52.9 | 63.2 | 73.4 | 83.4 | 93.1 | 102.7 | 112 | 121.1 | 129.9 | 138.3 | 146.5 | 154.3 | 161.7 | 168.7 | 175.3 | 181.6 | 187.3 | 192.7 | 197.5 | 201.9 | 205.8 | 209.2 | 212.1 | 214.5 | 216.4 | 217.7 | |
| 330 | 58.1 | 69.4 | 80.6 | 91.6 | 102.3 | 112.9 | 123.2 | 133.3 | 143 | 152.4 | 161.5 | 170.2 | 178.6 | 186.5 | 194 | 201.1 | 207.8 | 213.9 | 219.6 | 224.8 | 229.5 | 233.6 | 237.3 | 240.3 | 242.9 | 244.8 | |
| 340 | 63.5 | 75.9 | 88.2 | 100.3 | 112.1 | 123.7 | 135.1 | 146.2 | 157 | 167.4 | 177.5 | 187.2 | 196.6 | 205.5 | 214 | 222 | 229.6 | 236.6 | 243.2 | 249.2 | 254.8 | 259.7 | 264.2 | 268 | 271.3 | 274 | |
| 350 | 69.3 | 82.9 | 96.3 | 109.5 | 122.5 | 135.3 | 147.7 | 159.9 | 171.8 | 183.3 | 194.5 | 205.3 | 215.7 | 225.7 | 235.2 | 244.2 | 252.7 | 260.8 | 268.3 | 275.3 | 281.7 | 287.6 | 292.9 | 297.5 | 301.6 | 305.1 | |
| 360 | 75.5 | 90.3 | 104.9 | 119.3 | 133.5 | 147.4 | 161.1 | 174.5 | 187.5 | 200.2 | 212.6 | 224.5 | 236 | 247.1 | 257.7 | 267.8 | 277.4 | 286.5 | 295 | 303 | 310.4 | 317.2 | 323.4 | 329 | 334 | 338.3 | |
| 370 | 82 | 98.1 | 114 | 129.7 | 145.1 | 160.3 | 175.3 | 189.9 | 204.2 | 218.1 | 231.7 | 244.8 | 257.5 | 269.7 | 281.5 | 292.7 | 303.5 | 313.7 | 323.3 | 332.4 | 340.8 | 348.7 | 355.9 | 362.4 | 368.4 | 373.6 | |
| 380 | 88.8 | 106.3 | 123.5 | 140.6 | 157.4 | 174 | 190.2 | 206.2 | 221.8 | 237 | 251.8 | 266.2 | 280.2 | 293.7 | 306.7 | 319.2 | 331.1 | 342.5 | 353.3 | 363.5 | 373.1 | 382 | 390.3 | 397.9 | 404.9 | 411.1 | |
| 390 | 96.1 | 114.9 | 133.6 | 152.1 | 170.3 | 188.3 | 206 | 223.3 | 240.3 | 256.9 | 273.1 | 288.9 | 304.2 | 319 | 333.3 | 347.1 | 360.3 | 372.9 | 385 | 396.4 | 407.2 | 417.3 | 426.7 | 435.5 | 443.5 | 450.9 | |
| 400 | 106.3 | 127.2 | 148 | 168.5 | 188.7 | 208.7 | 228.3 | 247.6 | 266.5 | 285 | 303.1 | 320.8 | 337.9 | 354.5 | 370.6 | 386.2 | 401.1 | 415.4 | 429.1 | 442.2 | 454.6 | 466.2 | 477.2 | 487.4 | 496.8 | 505.5 | |
| 410 | 117.4 | 140.5 | 163.4 | 186.1 | 208.5 | 230.6 | 252.4 | 273.8 | 294.8 | 315.4 | 335.5 | 355.2 | 374.3 | 392.9 | 411 | 428.4 | 445.2 | 461.4 | 476.9 | 491.7 | 505.8 | 519.2 | 531.8 | 543.6 | 554.6 | 564.8 | |
| 420 | 129.3 | 154.8 | 180 | 205.1 | 229.8 | 254.2 | 278.3 | 302 | 325.2 | 348.1 | 370.4 | 392.3 | 413.6 | 434.3 | 454.5 | 474 | 492.9 | 511 | 528.5 | 545.3 | 561.2 | 576.4 | 590.8 | 604.4 | 617.2 | 629 | |
| 430 | 142.1 | 170.1 | 197.9 | 225.4 | 252.7 | 279.6 | 306.1 | 332.3 | 358 | 383.2 | 408 | 432.2 | 455.8 | 478.9 | 501.3 | 523 | 544.1 | 564.5 | 584.1 | 602.9 | 621 | 638.2 | 654.5 | 670 | 684.7 | 698.4 | |
| 440 | 155.8 | 186.6 | 217.1 | 247.3 | 277.2 | 306.8 | 336 | 364.8 | 393.1 | 421 | 448.3 | 475 | 501.2 | 526.7 | 551.6 | 575.7 | 599.2 | 621.9 | 643.8 | 664.9 | 685.2 | 704.6 | 723.1 | 740.7 | 757.4 | 773.1 | |
| 450 | 170.5 | 204.2 | 237.6 | 270.7 | 303.5 | 336 | 368 | 399.6 | 430.8 | 461.4 | 491.4 | 520.9 | 549.8 | 578 | 605.5 | 632.3 | 658.3 | 683.5 | 708 | 731.5 | 754.2 | 776 | 796.8 | 816.7 | 835.5 | 853.4 | |
| 460 | 186.2 | 223 | 259.5 | 295.8 | 331.6 | 367.2 | 402.3 | 436.9 | 471 | 504.6 | 537.7 | 570.1 | 601.8 | 632.9 | 663.2 | 692.8 | 721.6 | 749.6 | 776.7 | 802.9 | 828.2 | 852.5 | 875.8 | 898.2 | 919.4 | 939.6 | |
| 470 | 203 | 243.1 | 283 | 322.5 | 361.7 | 400.5 | 438.8 | 476.7 | 514 | 550.8 | 587 | 622.6 | 657.4 | 691.6 | 725 | 757.6 | 789.3 | 820.2 | 850.2 | 879.3 | 907.3 | 934.4 | 960.5 | 985.4 | 1009.3 | 1032.1 | |
| 480 | 220.9 | 264.5 | 307.9 | 351 | 393.7 | 436 | 477.8 | 519.1 | 559.9 | 600.1 | 639.7 | 678.6 | 716.8 | 754.2 | 790.9 | 826.7 | 861.6 | 895.7 | 928.7 | 960.9 | 991.9 | 1022 | 1050.9 | 1078.8 | 1105.5 | 1131 | |
| 490 | 239.9 | 287.4 | 334.5 | 381.3 | 427.8 | 473.8 | 519.3 | 564.3 | 608.8 | 652.6 | 695.8 | 738.3 | 780 | 821 | 861.1 | 900.4 | 938.7 | 976.1 | 1012.5 | 1047.9 | 1082.2 | 1115.4 | 1147.5 | 1178.4 | 1208.2 | 1236.6 | |
| 500 | 260.1 | 311.6 | 362.8 | 413.6 | 464 | 514 | 563.5 | 612.4 | 660.8 | 708.5 | 755.5 | 801.8 | 847.3 | 892 | 935.9 | 978.8 | 1020.8 | 1061.8 | 1101.7 | 1140.6 | 1178.4 | 1215 | 1250.5 | 1284.7 | 1317.7 | 1349.3 | |



Winddruk: 1168 N/m²
 Pression du vent: 1168 N/m²
 Winddruck: 1168 N/m²
 Windpressure: 1168 N/m²

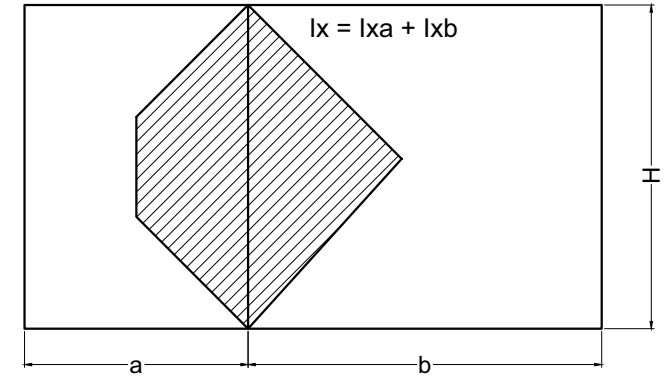
Max doorbuiging:
 Max deflection:
 Max durchbiegung:
 Max deflection:

L / 300
 max. 1.3 cm

Bouwhoogte < 50 m (Klasse III)
 Hauteur de bâtiment < 50 m (Classe III)
 Bauhöhe < 50 m (Klasse III)
 Building height < 50 m (Class III)

VG500

| | | BREEDTE / LARGEUR / BREITE / WIDTH (a of/ou/oder/or b) [CM] | | | | | | | | | | | | | | | | | | | | | | | | | | |
|---|-------|---|-------|-------|-------|-------|-------|-------|-------|-------|-------|-------|-------|-------|-------|--------|--------|--------|--------|--------|--------|--------|--------|--------|--------|--------|-------|--|
| | | 50 | 60 | 70 | 80 | 90 | 100 | 110 | 120 | 130 | 140 | 150 | 160 | 170 | 180 | 190 | 200 | 210 | 220 | 230 | 240 | 250 | 260 | 270 | 280 | 290 | 300 | |
| HOOGTE / HAUTEUR / HOHE / HEIGHT (H) [CM] | 100 | 1.6 | 1.8 | 2 | 2.1 | 2.2 | 2.2 | 2.5 | 2.7 | 2.9 | 3.1 | 3.3 | 3.6 | 3.8 | 4 | 4.2 | 4.4 | 4.7 | 4.9 | 5.1 | 5.3 | | | | | | | |
| | 110 | 2.1 | 2.5 | 2.7 | 3 | 3.1 | 3.2 | 3.3 | 3.6 | 3.8 | 4.1 | 4.4 | 4.7 | 5 | 5.3 | 5.6 | 5.9 | 6.2 | 6.5 | 6.8 | 7.1 | | | | | | | |
| | 120 | 2.8 | 3.3 | 3.7 | 4 | 4.3 | 4.4 | 4.6 | 4.6 | 5 | 5.4 | 5.7 | 6.1 | 6.5 | 6.9 | 7.3 | 7.6 | 8 | 8.4 | 8.8 | 9.2 | | | | | | | |
| | 130 | 3.6 | 4.2 | 4.7 | 5.2 | 5.6 | 5.9 | 6.1 | 6.3 | 6.3 | 6.8 | 7.3 | 7.8 | 8.2 | 8.7 | 9.2 | 9.7 | 10.2 | 10.7 | 11.1 | 11.6 | | | | | | | |
| | 140 | 4.5 | 5.3 | 6 | 6.6 | 7.2 | 7.6 | 8 | 8.3 | 8.4 | 8.5 | 9.1 | 9.7 | 10.3 | 10.9 | 11.5 | 12.1 | 12.7 | 13.3 | 13.9 | 14.5 | | | | | | | |
| | 150 | 5.6 | 6.6 | 7.5 | 8.3 | 9 | 9.7 | 10.2 | 10.6 | 10.9 | 11.1 | 11.2 | 11.9 | 12.6 | 13.4 | 14.1 | 14.9 | 15.6 | 16.3 | 17.1 | 17.8 | | | | | | | |
| | 160 | 6.8 | 8 | 9.1 | 10.2 | 11.1 | 12 | 12.7 | 13.3 | 13.8 | 14.2 | 14.4 | 14.4 | 15.3 | 16.2 | 17.1 | 18 | 18.9 | 19.8 | 20.7 | 21.6 | | | | | | | |
| | 170 | 8.2 | 9.7 | 11.1 | 12.4 | 13.6 | 14.6 | 15.6 | 16.4 | 17.1 | 17.7 | 18.1 | 18.3 | 18.4 | 19.5 | 20.5 | 21.6 | 22.7 | 23.8 | 24.8 | 25.9 | | | | | | | |
| | 180 | 9.7 | 11.5 | 13.2 | 14.8 | 16.3 | 17.7 | 18.9 | 20 | 20.9 | 21.7 | 22.3 | 22.7 | 23 | 23.1 | 24.4 | 25.6 | 26.9 | 28.2 | 29.5 | 30.8 | | | | | | | |
| | 190 | 11.5 | 13.6 | 15.6 | 17.6 | 19.4 | 21 | 22.6 | 24 | 25.2 | 26.2 | 27.1 | 27.8 | 28.3 | 28.6 | 28.7 | 30.2 | 31.7 | 33.2 | 34.7 | 36.2 | | | | | | | |
| | 200 | 13.4 | 15.9 | 18.3 | 20.6 | 22.8 | 24.8 | 26.7 | 28.4 | 29.9 | 31.3 | 32.5 | 33.4 | 34.2 | 34.7 | 35.1 | 35.2 | 36.9 | 38.7 | 40.4 | 42.2 | | | | | | | |
| | 210 | 15.6 | 18.5 | 21.3 | 24 | 26.6 | 29 | 31.3 | 33.3 | 35.2 | 37 | 38.5 | 39.7 | 40.8 | 41.6 | 42.2 | 42.6 | 42.7 | 44.8 | 46.8 | 48.8 | | | | | | | |
| | 220 | 17.9 | 21.3 | 24.6 | 27.7 | 30.7 | 33.6 | 36.3 | 38.8 | 41.1 | 43.2 | 45.1 | 46.8 | 48.2 | 49.4 | 50.3 | 50.9 | 51.3 | 51.5 | 53.8 | 56.1 | 58.5 | 60.8 | 63.1 | 65.5 | 67.8 | 70.2 | |
| | 230 | 20.5 | 24.4 | 28.2 | 31.8 | 35.3 | 38.7 | 41.8 | 44.8 | 47.6 | 50.1 | 52.4 | 54.5 | 56.3 | 57.9 | 59.2 | 60.2 | 60.9 | 61.3 | 61.5 | 64.1 | 66.8 | 69.5 | 72.1 | 74.8 | 77.5 | 80.2 | |
| | 240 | 23.3 | 27.8 | 32.1 | 36.3 | 40.3 | 44.2 | 47.9 | 51.4 | 54.7 | 57.7 | 60.5 | 63 | 65.3 | 67.3 | 69 | 70.4 | 71.4 | 72.2 | 72.7 | 72.9 | 75.9 | 78.9 | 82 | 85 | 88 | 91.1 | |
| | 250 | 26.4 | 31.5 | 36.4 | 41.2 | 45.8 | 50.3 | 54.5 | 58.6 | 62.4 | 65.9 | 69.3 | 72.3 | 75.1 | 77.5 | 79.7 | 81.5 | 83.1 | 84.2 | 85.1 | 85.6 | 85.8 | 89.2 | 92.6 | 96.1 | 99.5 | 102.9 | |
| | 260 | 29.7 | 35.4 | 41 | 46.5 | 51.7 | 56.8 | 61.7 | 66.3 | 70.8 | 74.9 | 78.8 | 82.4 | 85.7 | 88.7 | 91.4 | 93.7 | 95.7 | 97.4 | 98.7 | 99.6 | 100.2 | 100.3 | 104.2 | 108.1 | 111.9 | 115.8 | |
| | 270 | 33.3 | 39.8 | 46 | 52.2 | 58.1 | 63.9 | 69.4 | 74.8 | 79.8 | 84.7 | 89.2 | 93.4 | 97.3 | 100.9 | 104.1 | 107 | 109.6 | 111.7 | 113.5 | 114.9 | 115.9 | 116.5 | 116.7 | 121 | 125.3 | 129.6 | |
| | 280 | 37.2 | 44.4 | 51.4 | 58.3 | 65 | 71.5 | 77.8 | 83.9 | 89.7 | 95.2 | 100.4 | 105.3 | 109.8 | 114.1 | 117.9 | 121.4 | 124.6 | 127.3 | 129.6 | 131.5 | 133 | 134.1 | 134.7 | 134.9 | 139.8 | 144.6 | |
| | 290 | 41.4 | 49.4 | 57.2 | 64.9 | 72.4 | 79.8 | 86.8 | 93.7 | 100.2 | 106.5 | 112.4 | 118.1 | 123.4 | 128.3 | 132.8 | 137 | 140.8 | 144.1 | 147.1 | 149.5 | 151.6 | 153.2 | 154.4 | 155 | 155.3 | 160.6 | |
| | 300 | 45.8 | 54.7 | 63.5 | 72 | 80.4 | 88.6 | 96.5 | 104.2 | 111.5 | 118.6 | 125.4 | 131.8 | 137.9 | 143.6 | 148.9 | 153.8 | 158.2 | 162.3 | 165.9 | 169 | 171.7 | 173.9 | 175.6 | 176.8 | 177.6 | 177.8 | |
| | 310 | 50.6 | 60.4 | 70.1 | 79.6 | 88.9 | 98 | 106.8 | 115.4 | 123.7 | 131.6 | 139.3 | 146.5 | 153.5 | 160 | 166.1 | 171.8 | 177 | 181.8 | 186.1 | 190 | 193.3 | 196.2 | 198.5 | 200.4 | 201.7 | 202.5 | |
| | 320 | 55.7 | 66.5 | 77.2 | 87.7 | 98 | 108.1 | 117.9 | 127.4 | 136.6 | 145.5 | 154.1 | 162.3 | 170.1 | 177.5 | 184.5 | 191 | 197.1 | 202.7 | 207.8 | 212.5 | 216.6 | 220.1 | 223.2 | 225.7 | 227.7 | 229.1 | |
| | 330 | 61.1 | 73 | 84.8 | 96.3 | 107.7 | 118.8 | 129.6 | 140.2 | 150.5 | 160.4 | 169.9 | 179.1 | 187.9 | 196.3 | 204.2 | 211.6 | 218.6 | 225.1 | 231.1 | 236.5 | 241.5 | 245.8 | 249.6 | 252.9 | 255.6 | 257.6 | |
| | 340 | 66.9 | 79.9 | 92.8 | 105.5 | 118 | 130.2 | 142.2 | 153.8 | 165.2 | 176.2 | 186.8 | 197 | 206.8 | 216.2 | 225.1 | 233.6 | 241.5 | 249 | 255.9 | 262.3 | 268.1 | 273.3 | 277.9 | 282 | 285.4 | 288.3 | |
| | 350 | 73 | 87.2 | 101.3 | 115.2 | 128.9 | 142.3 | 155.4 | 168.3 | 180.8 | 192.9 | 204.7 | 216 | 227 | 237.4 | 247.4 | 256.9 | 265.9 | 274.4 | 282.3 | 289.7 | 296.4 | 302.6 | 308.1 | 313.1 | 317.4 | 321 | |
| | 360 | 79.4 | 95 | 110.4 | 125.5 | 140.5 | 155.1 | 169.5 | 183.6 | 197.3 | 210.7 | 223.7 | 236.2 | 248.3 | 260 | 271.1 | 281.7 | 291.9 | 301.4 | 310.4 | 318.8 | 326.6 | 333.8 | 340.3 | 346.2 | 351.4 | 356 | |
| | 370 | 86.3 | 103.2 | 119.9 | 136.4 | 152.7 | 168.7 | 184.4 | 199.8 | 214.8 | 229.5 | 243.7 | 257.6 | 270.9 | 283.8 | 296.2 | 308 | 319.3 | 330.1 | 340.2 | 349.7 | 358.6 | 366.9 | 374.5 | 381.4 | 387.6 | 393.1 | |
| | 380 | 93.5 | 111.8 | 130 | 147.9 | 165.6 | 183 | 200.2 | 216.9 | 233.3 | 249.4 | 265 | 280.1 | 294.8 | 309 | 322.7 | 335.8 | 348.4 | 360.4 | 371.7 | 382.5 | 392.5 | 402 | 410.7 | 418.7 | 426 | 432.6 | |
| | 390 | 101.1 | 120.9 | 140.6 | 160.1 | 179.2 | 198.1 | 216.7 | 235 | 252.9 | 270.3 | 287.4 | 304 | 320.1 | 335.7 | 350.7 | 365.2 | 379.1 | 392.4 | 405.1 | 417.1 | 428.4 | 439.1 | 449 | 458.2 | 466.7 | 474.4 | |
| 400 | 111.9 | 133.9 | 155.7 | 177.3 | 198.6 | 219.5 | 240.2 | 260.5 | 280.4 | 299.9 | 319 | 337.5 | 355.6 | 373.1 | 390 | 406.3 | 422.1 | 437.1 | 451.6 | 465.3 | 478.3 | 490.6 | 502.1 | 512.8 | 522.8 | 531.9 | | |
| 410 | 123.5 | 147.9 | 171.9 | 195.8 | 219.4 | 242.6 | 265.5 | 288.1 | 310.2 | 331.9 | 353.1 | 373.7 | 393.9 | 413.5 | 432.4 | 450.8 | 468.5 | 485.5 | 501.8 | 517.4 | 532.3 | 546.3 | 559.6 | 572 | 583.6 | 594.3 | | |
| 420 | 136.1 | 162.9 | 189.4 | 215.8 | 241.8 | 267.5 | 292.8 | 317.7 | 342.2 | 366.3 | 389.8 | 412.8 | 435.2 | 457 | 478.2 | 498.7 | 518.6 | 537.7 | 556.1 | 573.7 | 590.5 | 606.5 | 621.7 | 636 | 649.4 | 661.9 | | |
| 430 | 149.5 | 179 | 208.2 | 237.2 | 265.9 | 294.2 | 322.1 | 349.6 | 376.7 | 403.2 | 429.3 | 454.7 | 479.6 | 503.9 | 527.5 | 550.4 | 572.5 | 593.9 | 614.6 | 634.4 | 653.4 | 671.5 | 688.7 | 705 | 720.4 | 734.8 | | |
| 440 | 164 | 196.3 | 228.4 | 260.2 | 291.7 | 322.8 | 353.6 | 383.8 | 413.6 | 442.9 | 471.7 | 499.8 | 527.3 | 554.2 | 580.4 | 605.8 | 630.5 | 654.4 | 677.4 | 699.7 | 721 | 741.4 | 760.9 | 779.4 | 796.9 | 813.4 | | |
| 450 | 179.4 | 214.8 | 250 | 284.9 | 319.4 | 353.5 | 387.2 | 420.5 | 453.3 | 485.5 | 517.1 | 548.1 | 578.5 | 608.2 | 637.1 | 665.3 | 692.7 | 719.2 | 744.9 | 769.7 | 793.6 | 816.5 | 838.4 | 859.3 | 879.2 | 898 | | |
| 460 | 196 | 234.7 | 273.1 | 311.2 | 349 | 386.3 | 423.3 | 459.7 | 495.6 | 531 | 565.7 | 599.8 | 633.3 | 665.9 | 697.9 | 729 | 759.3 | 788.7 | 817.2 | 844.8 | 871.4 | 897 | 921.6 | 945.1 | 967.4 | 988.7 | | |
| 470 | 213.6 | 255.8 | 297.7 | 339.3 | 380.6 | 421.4 | 461.7 | 501.6 | 540.9 | 579.6 | 617.7 | 655.1 | 691.8 | 727.7 | 762.8 | 797.1 | 830.5 | 863.1 | 894.6 | 925.2 | 954.7 | 983.2 | 1010.6 | 1036.9 | 1062 | 1086 | | |
| 480 | 232.4 | 278.4 | 324 | 369.3 | 414.2 | 458.7 | 502.7 | 546.2 | 589.2 | 631.5 | 673.1 | 714 | 754.2 | 793.6 | 832.2 | 869.8 | 906.6 | 942.4 | 977.2 | 1011 | 1043.7 | 1075.4 | 1105.8 | 1135.1 | 1163.2 | 1190.1 | | |
| 490 | 252.4 | 302.4 | 352 | 401.2 | 450.1 | 498.5 | 546.4 | 593.8 | 640.6 | 686.7 | 732.1 | 776.8 | 820.8 | 863.8 | 906.1 | 947.4 | 987.7 | 1027.1 | 1065.4 | 1102.6 | 1138.7 | 1173.7 | 1207.5 | 1240 | 1271.3 | 1301.2 | | |
| 500 | 273.7 | 327.9 | 381.7 | 435.2 | 488.2 | 540.8 | 592.9 | 644.4 | 695.3 | 745.5 | 795 | 843.7 | 891.6 | 938.6 | 984.7 | 1029.9 | 1074.1 | 1117.2 | 1159.3 | 1200.2 | 1239.9 | 1278.5 | 1315.8 | 1351.8 | 1386.5 | 1419.8 | | |

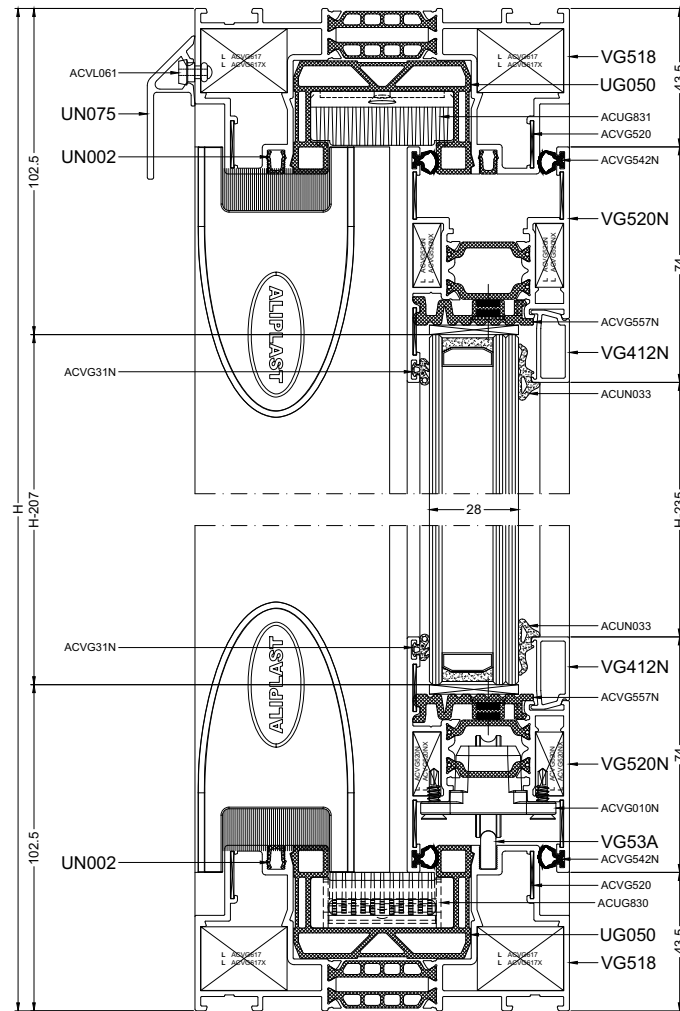
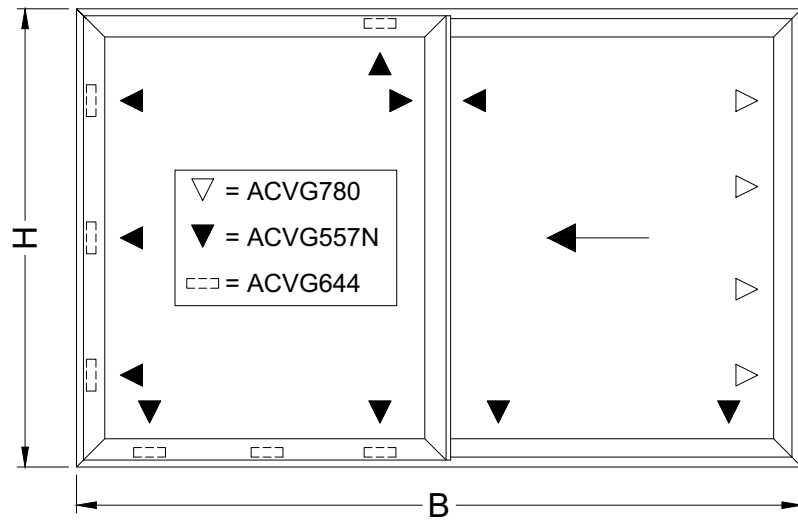


Max doorbuiging: L / 300
 Max deflection: max. 1.3 cm
 Max durchbiegung: max. 1.3 cm
 Max deflection:

Winddruk: 1229 N/m²
 Pression du vent: 1229 N/m²
 Winddruck: 1229 N/m²
 Windpressure: 1229 N/m²

Bouwhoogte < 60 m (Klasse III)
 Hauteur de bâtiment < 60 m (Classe III)
 Bauhöhe < 60 m (Klasse III)
 Building height < 60 m (Class III)

VG518-2RAIL-1F-2O



PROFIELEN / PROFILES / PROFILS / PROFILS

| | | | | |
|--------------------------------------|--|---|--|----------|
| VG518 | | 2 | | B |
| | | 2 | | H |
| UG050 | | 2 | | B-33 |
| | | 2 | | H-33 |
| VG520N | | 4 | | B/2-11 |
| | | 4 | | H-87 |
| VG530 | | 2 | | H-87 |
| VG551R | | 2 | | H-87 |
| VG4XX | | 4 | | B/2-119 |
| | | 4 | | H-235 |
| VG53(A) | | 1 | | B-94 |
| UN002 OF / OU / ODER / OR VG52 | | 1 | | B-104 |
| | | 2 | | B/2-62.3 |
| | | 3 | | H-104 |

OPTIONEEL / EN OPTION / FAKULTATIV / OPTIONAL

| | | | | |
|---------|--|---|--|---------|
| UN075 | | 1 | | B-9 |
| ACUN075 | | 1 | | |
| ACVL061 | | | | B/300+2 |
| VG586 | | 2 | | H-87 |
| ACVG642 | | | | 2H-150 |

TOEBEHOREN / ACCESSOIRES ZUBEHÖRTEILE / ACCESSORIES

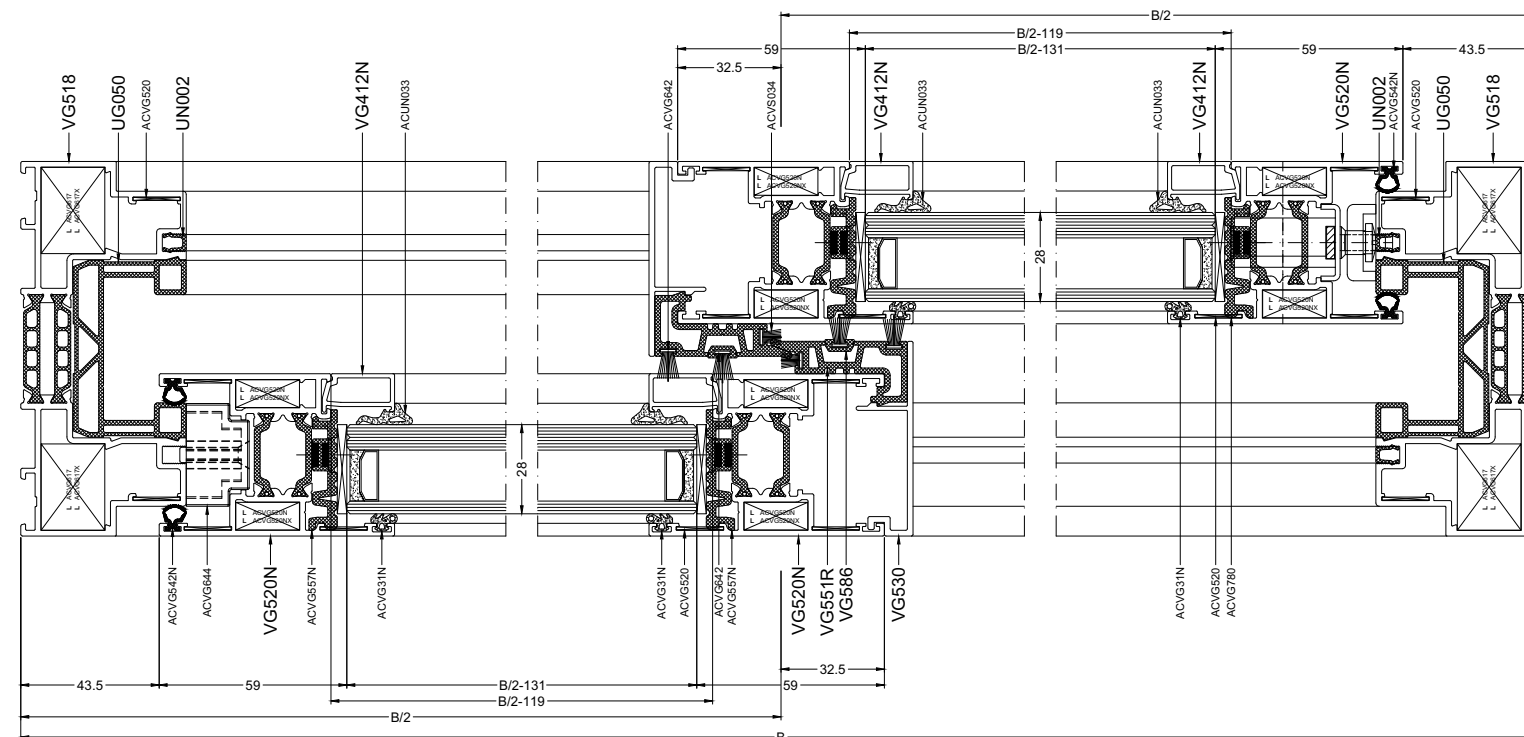
| | | | |
|--|----|---------|----|
| ACVG617 <small>OF / OU / ODER / OR</small> | 8 | ACMX853 | 16 |
| ACVG617X | | ACUN161 | |
| ACVG520N <small>OF / OU / ODER / OR</small> | 16 | ACMX854 | 32 |
| ACVG520NX | | ACUN160 | |
| ACVG520 | 32 | | |
| ACVG557N | 10 | | |
| ACVG644 | 7 | | |
| ACUN348 | 1 | | |
| ACVG45 <small>OF / OU / ODER / OR</small> | | | |
| ACGSL045 <small>OF / OU / ODER / OR</small> | | | |
| ACUN045 | | | |
| ACVG534 <small>OF / OU / ODER / OR</small> | | | |
| ACVG528 | | | |
| ACVG531 | 6 | | |
| ACUG830 | 4 | | |
| ACUG831 | 1 | | |
| ACUG831 | 1 | | |
| ACVG780 | 1 | | |

MAXIMAAL VLEUGELGEWICHT
POIDS MAXIMUM PAR VANTAIL
MAXIMAL FLÜGELGEWICHT
MAX. WEIGHT OF THE VENT

| | | |
|--|---|----------|
| ACVG010N <small>OF / OU / ODER / OR</small> | 2 | → 250 KG |
| ACVG110N | | → 200 KG |

| | |
|--|------------|
| ACVG542N <small>OF / OU / ODER / OR</small> | 6H+4B-500 |
| ACVG642 | |
| ACVG31N | 4H+2B-1300 |
| ACUN033 (3 - 5 mm) | 4H+2B-1300 |
| ACUN036 (6 - 8 mm) | |
| ACVS034 | 2H-150 |

OVERZICHT SLOTEN, ZIE SZ CATALOGUS
APERCU SERRURES, VOIR LE CATALOGUE SZ
OVERVIEW LOCKS, SEE SZ CATALOG
UEBERSICHT SCHLOSSER, SIEHE SZ KATALOG



0 1 2 3 4 5 6 7 8 9 10 cm

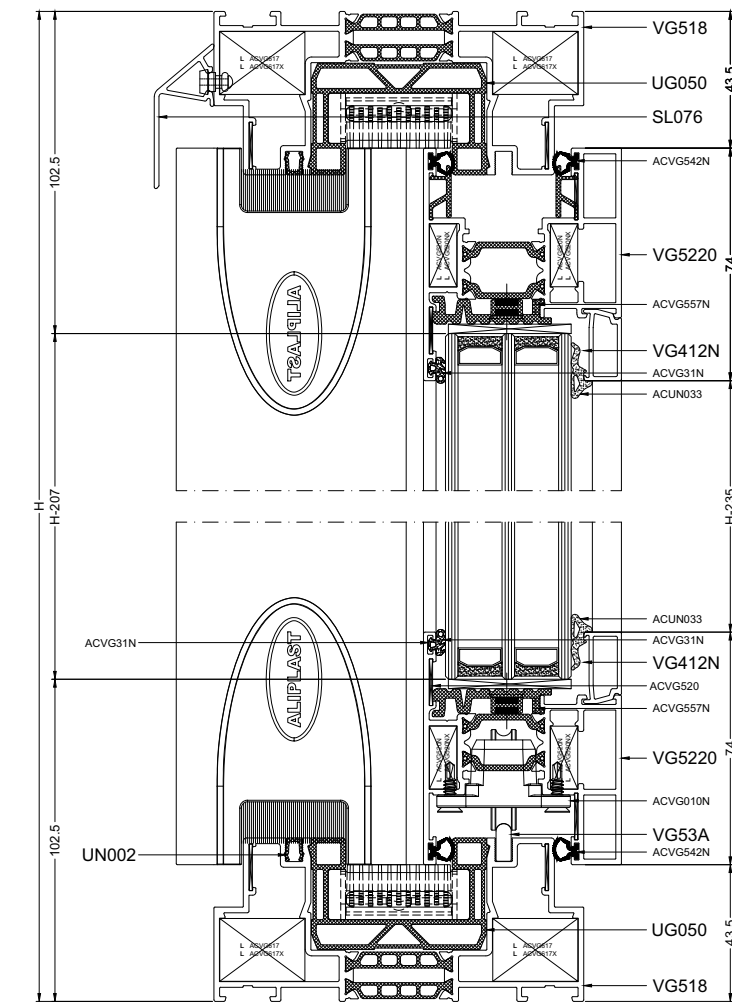
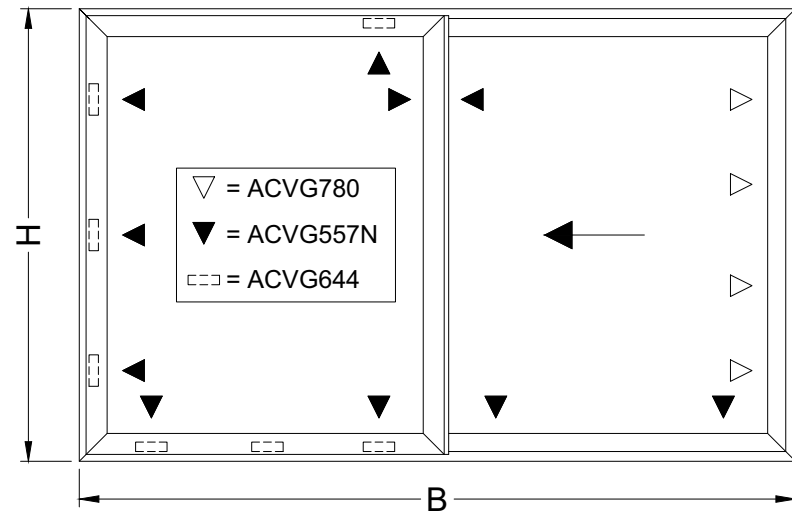
VG518-2RAIL-1F-2O

aliplast
member of

CORIALIS

VG500

VG518-2RAIL-1F-2O (VG5120-VG5220)



PROFIELEN / PROFILES / PROFILS / PROFILS

| | | | | |
|--------|--|---|--|--------|
| VG518 | | 2 | | B |
| | | 2 | | H |
| UG050 | | 2 | | B-33 |
| | | 2 | | H-33 |
| VG5120 | | 2 | | B/2-11 |
| | | 2 | | H-87 |
| VG5220 | | 2 | | B/2-11 |
| | | 2 | | H-87 |
| VG530 | | 2 | | H-87 |
| VG551R | | 2 | | H-87 |

| | | | | |
|-------|--|---|--|---------|
| VG4XX | | 4 | | B/2-119 |
| | | 4 | | H-235 |

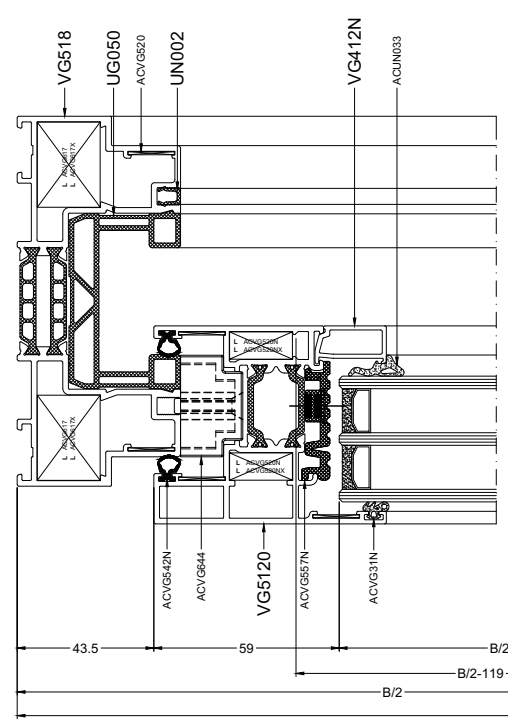
| | | | | |
|---------|--|---|--|------|
| VG53(A) | | 1 | | B-94 |
|---------|--|---|--|------|

| | | | | |
|--|--|---|--|----------|
| UN002 <small>OF / OU / ODER / OR VG52</small> | | 1 | | B-104 |
| | | 2 | | B/2-62.3 |
| | | 3 | | H-104 |

OPTIONEEL / EN OPTION / FAKULTATIV / OPTIONAL

| | | | | |
|---------|--|---|--|---------|
| SL076 | | 1 | | B |
| ACVL061 | | | | B/300+2 |

| | | | | |
|---------|--|---|--|--------|
| VG586 | | 2 | | H-87 |
| ACVG642 | | | | 2H-150 |



TOEBEHOREN / ACCESSOIRES
ZUBEHÖRTEILE / ACCESSORIES

| | | |
|---|----|------------|
| ACVG617 <small>OF / OU / ODER / OR ACVG617X</small> | 8 | |
| ACVG520N <small>OF / OU / ODER / OR ACVG520NX</small> | 16 | |
| ACVG520 | 32 | |
| ACVG557N | 10 | |
| ACVG644 | 7 | |
| ACUN348 | 1 | |
| ACVG45 <small>OF / OU / ODER / OR ACGSL045 OF / OU / ODER / OR ACUN045</small> | | MAX 800 mm |
| ACVG528 | 6 | |
| ACVG531 | 4 | |
| ACUG830 | 1 | |
| ACUG831 | 1 | |
| ACVG780 | 1 | |

| | |
|--------------------|----|
| ACMX853 ACUN161 | 16 |
| ACMX854 ACUN160 | 32 |

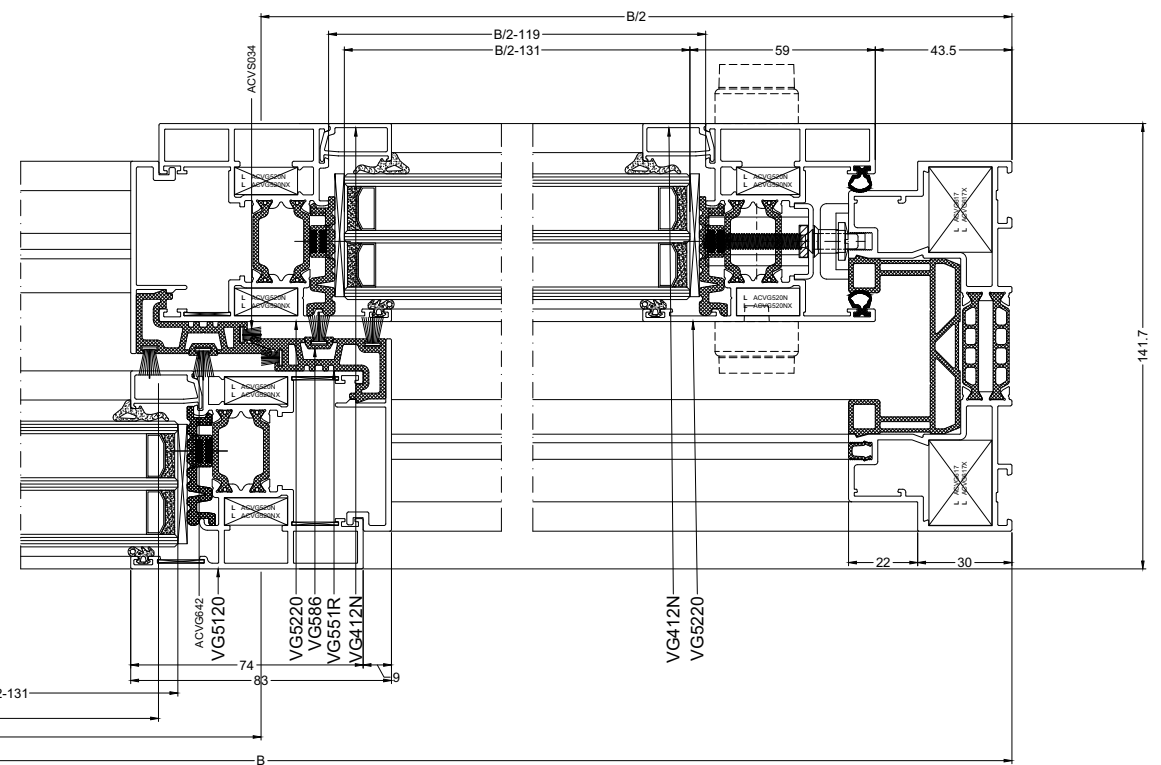
| | | |
|---|---|--|
| ACVG010N <small>OF / OU / ODER / OR ACVG110N</small> | 2 | |
|---|---|--|

MAXIMAAL VLEUGELGEWICHT
POIDS MAXIMUM PAR VANTAIL
MAXIMAL FLÜGELGEWICHT
MAX. WEIGHT OF THE VENT

→ > 250 KG
→ > 200 KG

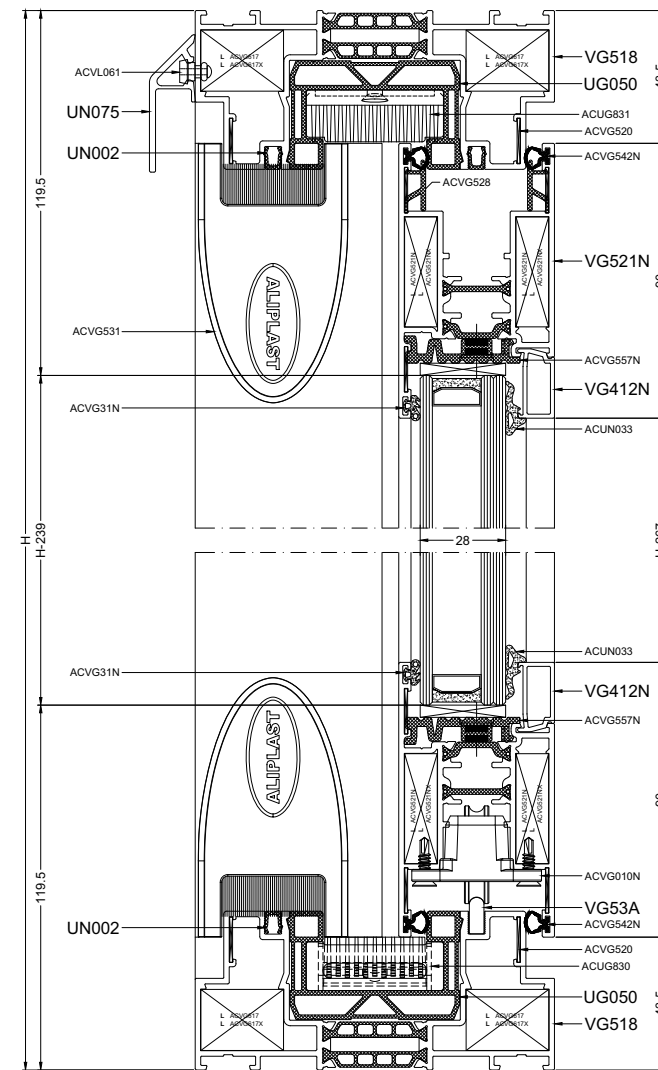
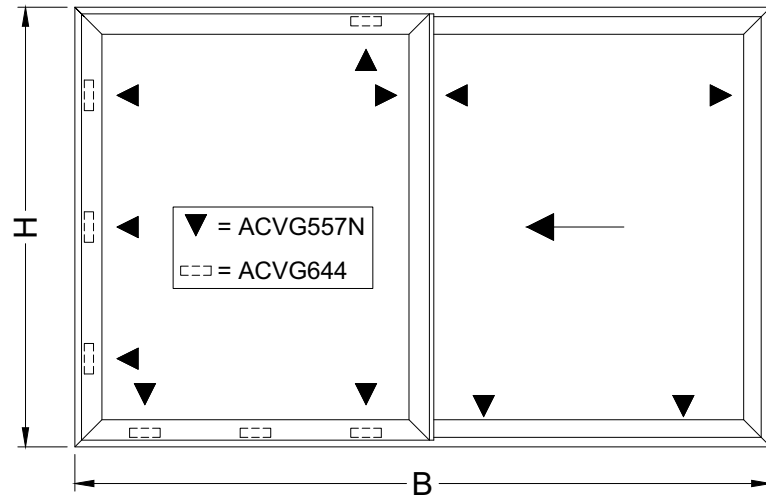
| | |
|--|------------|
| ACVG542N <small>OF / OU / ODER / OR ACVG642</small> | 6H+4B-500 |
| ACVG31N | 4H+2B-1300 |
| ACUN033 (3 - 5 mm) | 4H+2B-1300 |
| ACUN036 (6 - 8 mm) | 4H+2B-1300 |
| ACVS034 | 2H-150 |

OVERZICHT SLOTEN, ZIE SZ CATALOGUS
APERCU SERRURES, VOIR LE CATALOGUE SZ
OVERVIEW LOCKS, SEE SZ CATALOG
UEBERSICHT SCHLOSSER, SIEHE SZ KATALOG



VG518-2RAIL-1F-2O - VG5120-VG5220

VG518-2RAIL-1F-20 (VG521N)



PROFIELEN / PROFILES / PROFILS / PROFILS

| | | | | |
|--------|--|---|--|-------|
| VG518 | | 2 | | B |
| | | 2 | | H |
| UG050 | | 2 | | B-33 |
| | | 2 | | H-33 |
| VG521N | | 4 | | B/2-3 |
| | | 4 | | H-87 |
| VG530 | | 2 | | H-87 |
| VG553N | | 2 | | H-87 |
| UG852 | | 2 | | H-87 |

| | | | | |
|-------|--|---|--|---------|
| VG4XX | | 4 | | B/2-143 |
| | | 4 | | H-267 |

| | | | | |
|---------|--|---|--|------|
| VG53(A) | | 1 | | B-94 |
|---------|--|---|--|------|

| | | | | |
|---|--|---|--|----------|
| UN002 <small>OF / OU / ODER / OR</small> VG52 | | 1 | | B-104 |
| | | 2 | | B/2-70.3 |
| | | 3 | | H-104 |

OPTIONEEL / EN OPTION / FAKULTATIV / OPTIONAL

| | | | | |
|---------|--|---------|--|-----|
| UN075 | | 1 | | B-9 |
| ACUN075 | | 1 | | |
| ACVL061 | | B/300+2 | | |

TOEBEHOREN / ACCESSOIRES ZUBEHÖRTEILE / ACCESSORIES

| | | | |
|---|----|--------------------|----|
| ACVG617 <small>OF / OU / ODER / OR</small> ACVG617X | 8 | ACMX853 ACUN161 | 16 |
| ACVG521N <small>OF / OU / ODER / OR</small> ACVG521NX | 16 | | |
| ACVG520 | 32 | ACMX854 ACUN160 | 32 |
| ACVG557N | 11 | | |
| ACVG644 | 7 | | |
| ACUN348 | 1 | | |
| ACVG45 <small>OF / OU / ODER / OR</small> ACGSL045 <small>OF / OU / ODER / OR</small> ACUN045 | | | |
| ACVG534 | | | |
| ACVG528 | 6 | | |
| ACVG531 | 4 | | |
| ACUG830 | 2 | | |

| | | |
|--|---|--|
| ACVG010N <small>OF / OU / ODER / OR</small> ACVG110N | 2 | |
| | | |

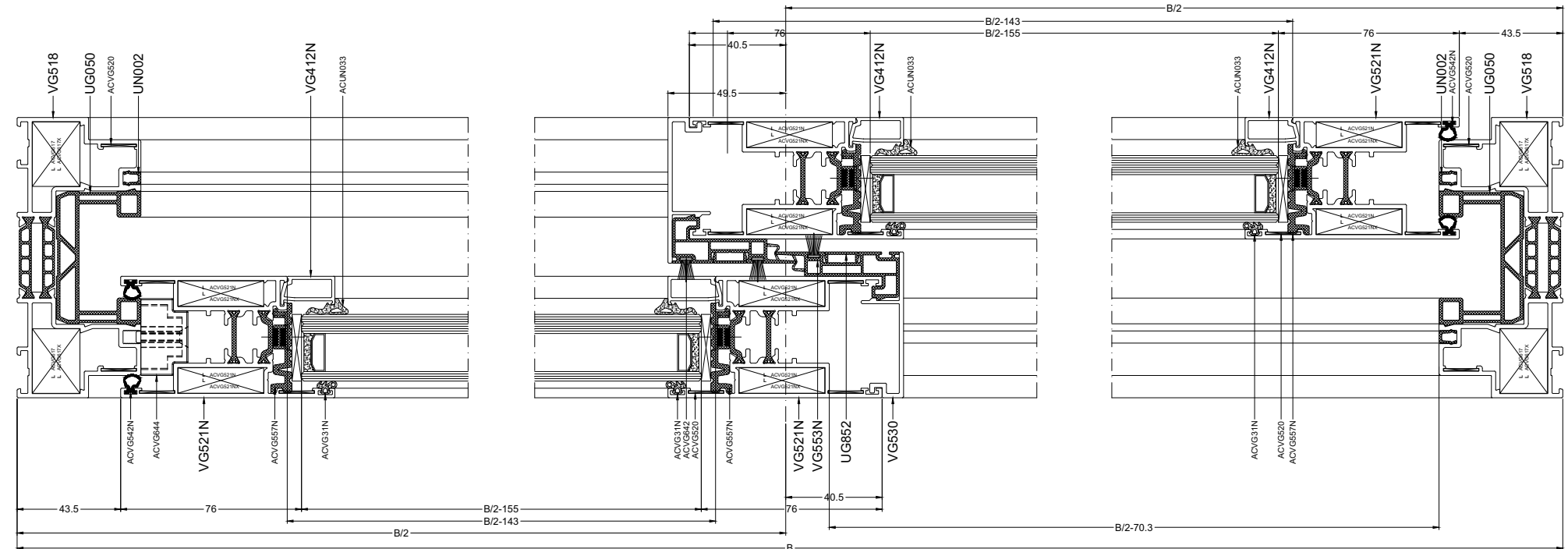
| | |
|---|------------|
| ACVG542N <small>OF / OU / ODER / OR</small> ACVG642 | 4H+4B-350 |
| ACVG31N | 4H+2B-1500 |
| ACUN033 (3 - 5 mm) | 4H+2B-1500 |
| ACUN036 (6 - 8 mm) | 4H+2B-1500 |
| ACVG642 | 4H-100 |

MAXIMAAL VLEUGELGEWICHT
POIDS MAXIMUM PAR VANTAIL
MAXIMAL FLUGELGEWICHT
MAX. WEIGHT OF THE VENT

| | | |
|----|--|-------|
| FB | VLEUGELBREEDTE LARGEUR VANTAIL BREITE FLUGEL WIDTH SASH | B/2-3 |
| FH | VLEUGELHOOGTE HAUTEUR D'OUVRANT FLUGEL HOHE VENT HEIGHT | H-87 |

GLASMATEN / DIMENSIONS DES
VITRAGES / GLASMASSE / GLASS SIZE

| | | |
|----|---------|-------|
| 2X | B/2-155 | H-239 |
|----|---------|-------|



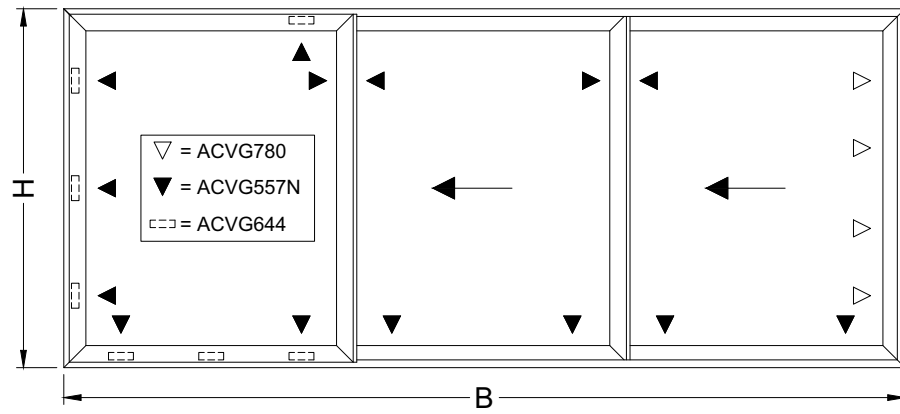
VG518-2RAIL-1F-20(VG521N_SLIDE)

aliplast
member of



VG500

VG512-3RAIL-1F-20-30



PROFIELEN / PROFILES / PROFILES / PROFILS

| | | | | |
|--------|--|---|--|----------|
| VG512 | | 2 | | B |
| | | 2 | | H |
| UG050 | | 4 | | B-33 |
| | | 4 | | H-33 |
| VG520N | | 6 | | B/3+14.3 |
| | | 6 | | H-87 |
| VG530 | | 4 | | H-87 |
| VG551R | | 4 | | H-87 |

| | | | | |
|-------|--|---|--|----------|
| VG4XX | | 6 | | B/3-93.7 |
| | | 6 | | H-235 |

| | | | | |
|---------|--|---|--|-----------|
| VG53(A) | | 2 | | B-94 |
| UN002 | | 2 | | B-104 |
| VG52 | | 2 | | 2B/3-87.6 |
| | | 5 | | H-104 |

OPTIONEEL / EN OPTION / FAKULTATIV / OPTIONAL

| | | | | |
|---------|--|---|--|---------|
| UN075 | | 1 | | B-9 |
| ACUN075 | | 1 | | |
| ACVL061 | | | | B/300+2 |
| VG586 | | 4 | | H-87 |
| ACVG642 | | | | 4H-300 |

TOEBEHOREN / ACCESSOIRES ZUBEHOORTEILE / ACCESSORIES

| | | | |
|-----------|--|----|----|
| ACVG509 | | 8 | |
| ACVG510X | | | 16 |
| ACVG520N | | 24 | |
| ACVG520NX | | | 48 |
| ACVG520 | | 48 | |
| ACVG557N | | 14 | |
| ACVG644 | | 7 | |
| ACUN348 | | 2 | |

| | | | |
|----------|--|----|--|
| ACVG45 | | | |
| ACGSL045 | | | |
| ACUN045 | | | |
| ACVG534 | | | |
| ACVG531 | | 8 | |
| ACVG528 | | 12 | |
| ACUG830 | | 2 | |
| ACUG831 | | 2 | |
| ACVG780 | | 1 | |

| | | | |
|----------|--|---|---------------------------|
| ACVG010N | | 6 | $\triangleright > 250$ KG |
| ACVG110N | | 6 | $\triangleright > 200$ KG |

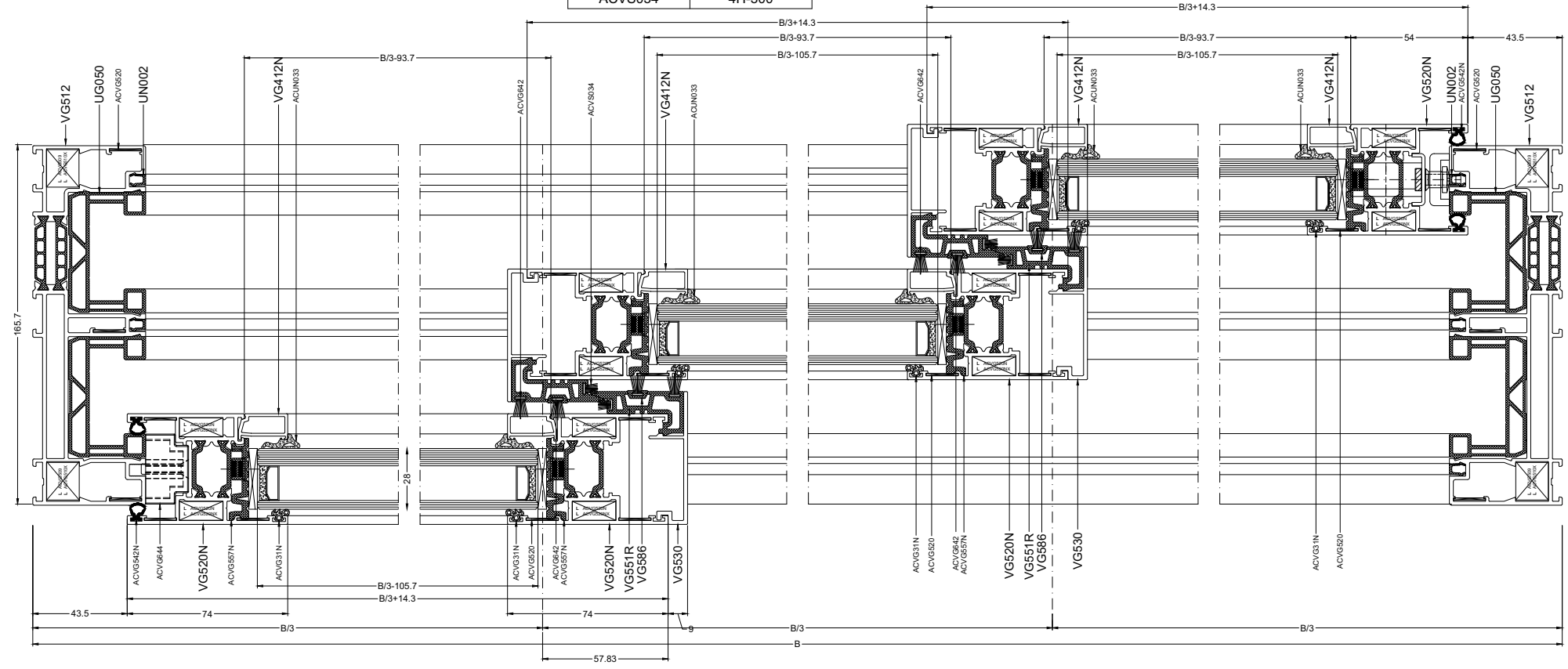
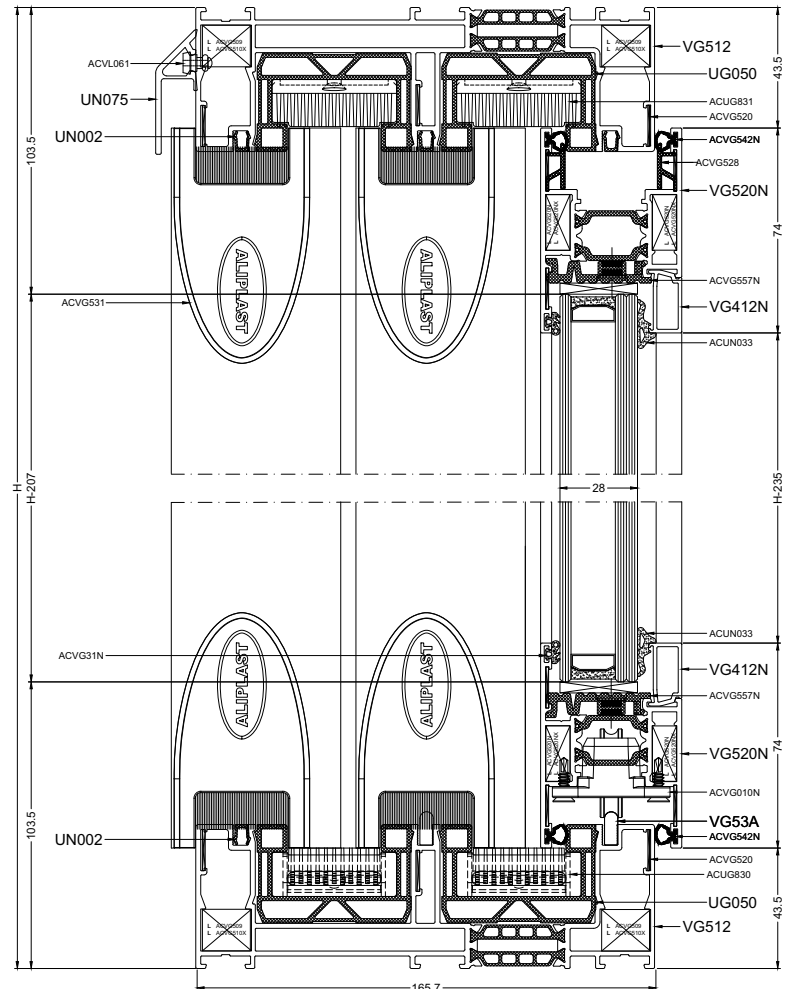
| | | |
|--------------------|--|------------|
| ACVG542N | | 8H+4B-400 |
| ACVG642 | | 8H+4B-400 |
| ACVG31N | | 6H+2B-2000 |
| ACUN033 (3 - 5 mm) | | 6H+2B-2000 |
| ACUN036 (6 - 8 mm) | | 6H+2B-2000 |
| ACVS034 | | 4H-300 |

MAXIMAAL VLEUGELGEWICHT
 POIDS MAXIMUM PAR VANTAIL
 MAXIMAL FLUGELGEWICHT
 MAX-WEIGHT OF THE VENT

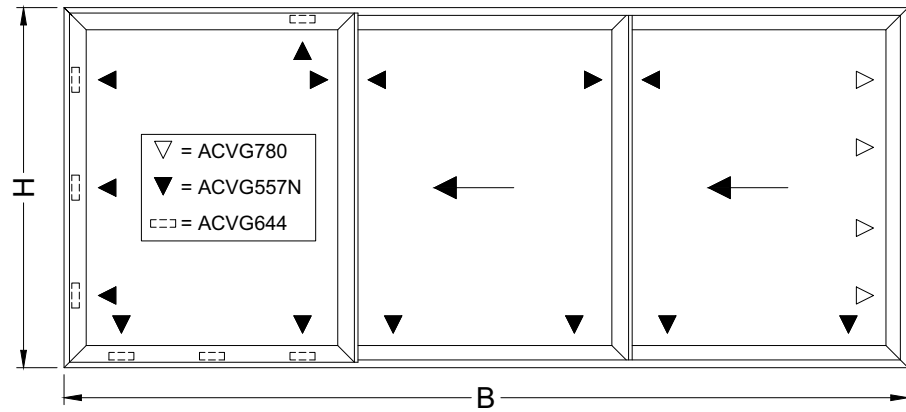
| | | |
|----|--|----------|
| FB | VLEUGELBREEDTE LARGEUR VANTAIL BREITE FLUGEL WIDTH SASH | B/3+14.3 |
| FH | VLEUGELHOOGTE HAUTEUR D'OUVRANT FLUGEL HOHE VENT HEIGHT | H-87 |

| | | |
|--|-----------|-------|
| GLASMATEN / DIMENSIONS DES VITRAGES / GLASSMASSE / GLASS SIZE | | |
| 3X | B/3-105.7 | H-207 |

OVERZICHT SLOTEN, ZIE SZ CATALOGUS
 APERCU SERRURES, VOIR LE CATALOGUE SZ
 OVERVIEW LOCKS, SEE SZ CATALOG
 UEBERSICHT SCHLOSSER, SIEHE SZ KATALOG



VG612-3RAIL-1F-20-1F



PROFIELEN / PROFILES / PROFILS / PROFILS

| | | | | |
|--------|--|---|--|----------|
| VG612 | | 2 | | B |
| | | 2 | | H |
| UG050 | | 4 | | B-33 |
| | | 4 | | H-33 |
| VG520N | | 6 | | B/3+14.3 |
| | | 6 | | H-87 |
| VG530 | | 4 | | H-87 |
| VG551R | | 4 | | H-87 |

| | | | | |
|-------|--|---|--|----------|
| VG4XX | | 6 | | B/3-93.7 |
| | | 6 | | H-235 |

| | | | | |
|---------|--|---|--|------|
| VG53(A) | | 2 | | B-94 |
|---------|--|---|--|------|

| | | | | |
|-------|--|---|--|-----------|
| UN002 | | 2 | | B-104 |
| | | 2 | | 2B/3-87.6 |
| VG52 | | 5 | | H-104 |

OPTIONEEL / EN OPTION / FAKULTATIV / OPTIONAL

| | | | | |
|---------|--|---|--|---------|
| UN075 | | 1 | | B-9 |
| ACUN075 | | 1 | | |
| ACVL061 | | | | B/300+2 |

| | | | | |
|---------|--|---|--|--------|
| VG586 | | 4 | | H-87 |
| ACVG642 | | | | 4H-300 |

TOEBEHOREN / ACCESSOIRES ZUBEHÖRTEILE / ACCESSOIRES

| | | | | |
|-----------|--|----|--|-----------------------|
| ACVG509 | | 8 | | |
| ACVG510X | | | | ACMX853 ACUN161 16 |
| ACVG520N | | 24 | | |
| ACVG520NX | | | | ACMX854 ACUN160 48 |
| ACVG520 | | 48 | | |
| ACVG557N | | 14 | | |
| ACVG644 | | 7 | | |
| ACUN348 | | 2 | | |

| | | | | |
|----------|--|----|--------------------|--|
| ACVG45 | | | | |
| ACGSL045 | | | MAX 800 mm (B) | |
| ACUN045 | | | | |
| ACVG534 | | | MAX 800 mm (3x FB) | |
| ACVG531 | | 8 | | |
| ACVG528 | | 12 | | |
| ACUG831 | | 2 | | |
| ACUG830 | | 2 | | |
| ACVG780 | | 1 | | |

MAXIMAAL VLEUGELGEWICHT
POIDS MAXIMUM PAR VANTAIL
MAXIMAL FLUGELGEWICHT
MAX-WEIGHT OF THE VENT

| | | | | |
|----------|--|---|--|----------|
| ACVG010N | | 6 | | ▷ 250 KG |
| ACVG110N | | | | ▷ 200 KG |

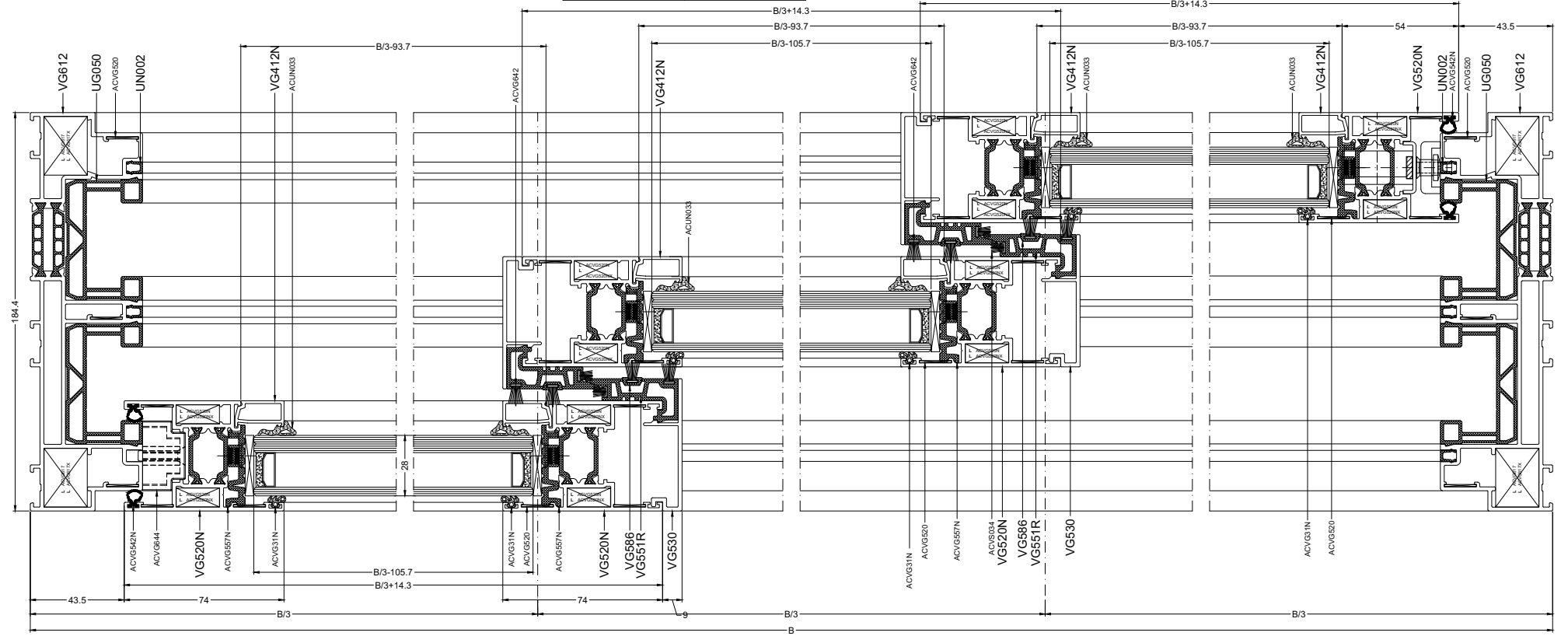
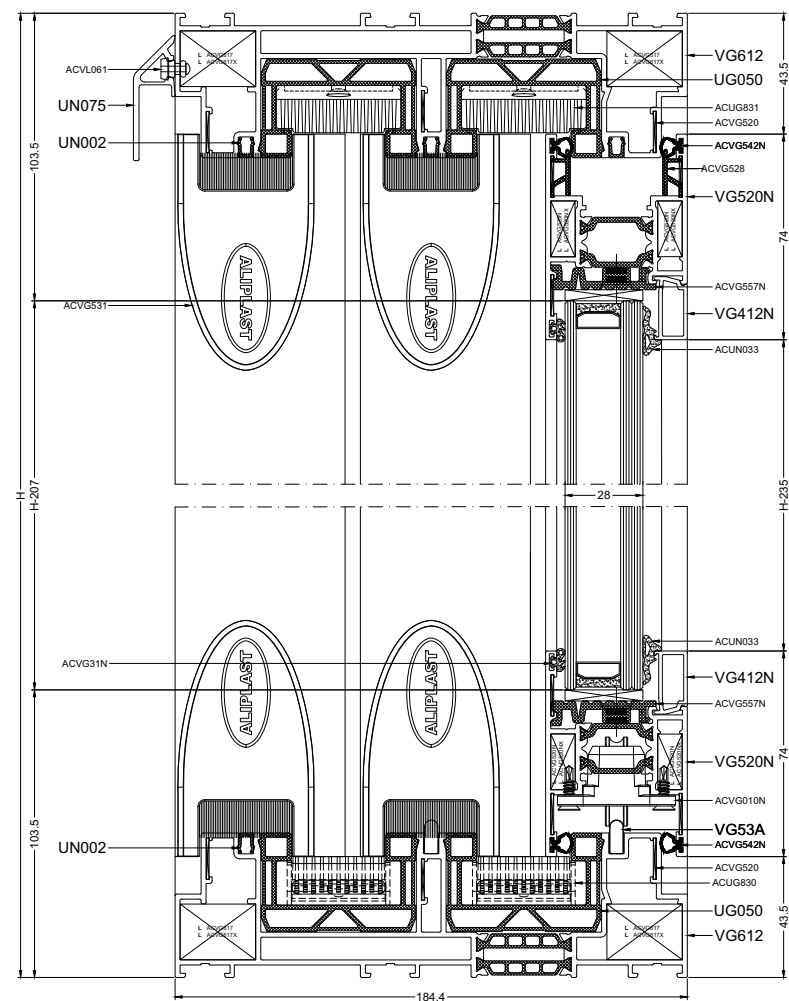
| | | |
|--------------------|--|------------|
| ACVG542N | | 8H+4B-400 |
| ACVG642 | | 6H+2B-2000 |
| ACVG31N | | 6H+2B-2000 |
| ACUN033 (3 - 5 mm) | | 6H+2B-2000 |
| ACUN036 (6 - 8 mm) | | 6H+2B-2000 |
| ACVS034 | | 4H-300 |

| | | |
|----|--|----------|
| FB | VLEUGELBREEDTE LARGEUR VANTAIL BREITE FLÜGEL WIDTH SASH | B/3+14.3 |
| FH | VLEUGELHOOGTE HAUTEUR D'OUVRANT FLÜGEL HOHE VENT HEIGHT | H-87 |

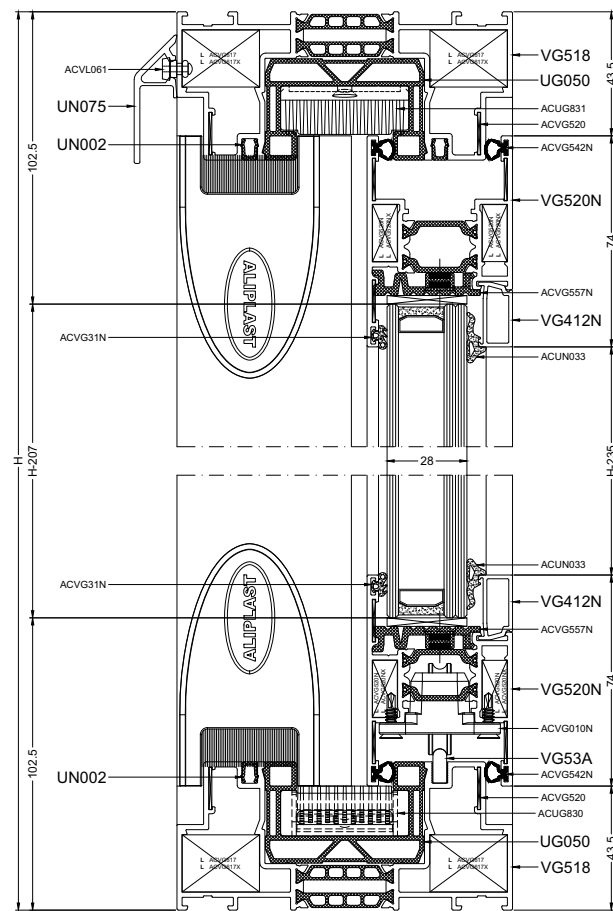
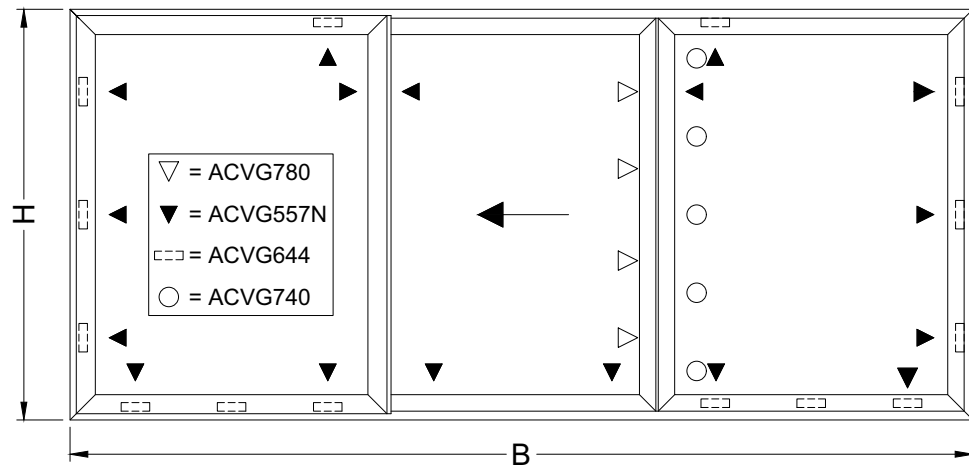
GLASMATEN / DIMENSIONS DES VITRAGES / GLASSMASSE / GLASS SIZE

| | | |
|----|-----------|-------|
| 3X | B/3-105.7 | H-207 |
|----|-----------|-------|

OVERZICHT SLOTEN, ZIE SZ CATALOGUS
APERCU SERRURES, VOIR LE CATALOGUE SZ
OVERVIEW LOCKS, SEE SZ CATALOG
UEBERSICHT SCHLOSSER, SIEHE SZ KATALOG



VG518-2RAIL-1F-20-1F



PROFIELEN / PROFILES / PROFILS / PROFILS

| | | | |
|--------|---|--|---------|
| VG518 | 2 | | B |
| | 2 | | H |
| UG050 | 2 | | B-33 |
| | 2 | | H-33 |
| VG520N | 6 | | H-87 |
| | 2 | | B1-11 |
| | 2 | | B2+28.5 |
| | 2 | | B3-47.5 |
| VG530 | 2 | | H-87 |
| VG551R | 2 | | H-87 |
| VG542 | 1 | | H-87 |

| | | | |
|-------|---|--|----------|
| VG4XX | 6 | | H-235 |
| | 2 | | B1-119 |
| | 2 | | B2-79.5 |
| | 2 | | B3-155.5 |

| | | | |
|---------|---|--|------|
| VG53(A) | 1 | | B-94 |
|---------|---|--|------|

| | | | |
|------------------------------------|---|--|----------|
| UN002 OF (OU) OPEN (ON) VG52 | 1 | | B-104 |
| | 2 | | B2+B3-62 |
| | 2 | | H-104 |

OPTIONEEL / EN OPTION / FAKULTATIV / OPTIONAL

| | | | |
|---------|---|---------|-----|
| UN075 | f | 1 | B-9 |
| ACUN075 | | 1 | |
| ACVL061 | | B/300+2 | |

TOEBEHOREN / ACCESSOIRES ZUBEHÖRTEILE / ACCESSORIES

| | | | |
|--|-----------------------|--------------------|----|
| ACVG617 | 8 | ACMX853 ACUN161 | 16 |
| ACVG617X | | | |
| ACVG520N | 24 | ACMX854 ACUN160 | 48 |
| ACVG520NX | | | |
| ACVG520 | 44 | | |
| ACVG557N | 17 | | |
| ACVG644 | 14 | | |
| ACUN348 | 1 | | |
| ACVG45 | | | |
| ACGSL045 OF (OU) OPEN (ON) ACUN045 | MAX 800 mm | | |
| ACVG534 | MAX 800 mm (3x FB) | | |
| ACVG528 | 6 | | |
| ACVG543 | 1 | | |
| ACVG531 | 4 | | |
| ACUG830 | 1 | | |
| ACUG831 | 1 | | |
| ACVG780 | 1 | | |
| ACVG740 | 1 | | |

| | | |
|----------|---|--------|
| ACVG010N | 2 | 250 KG |
| ACVG110N | | 200 KG |

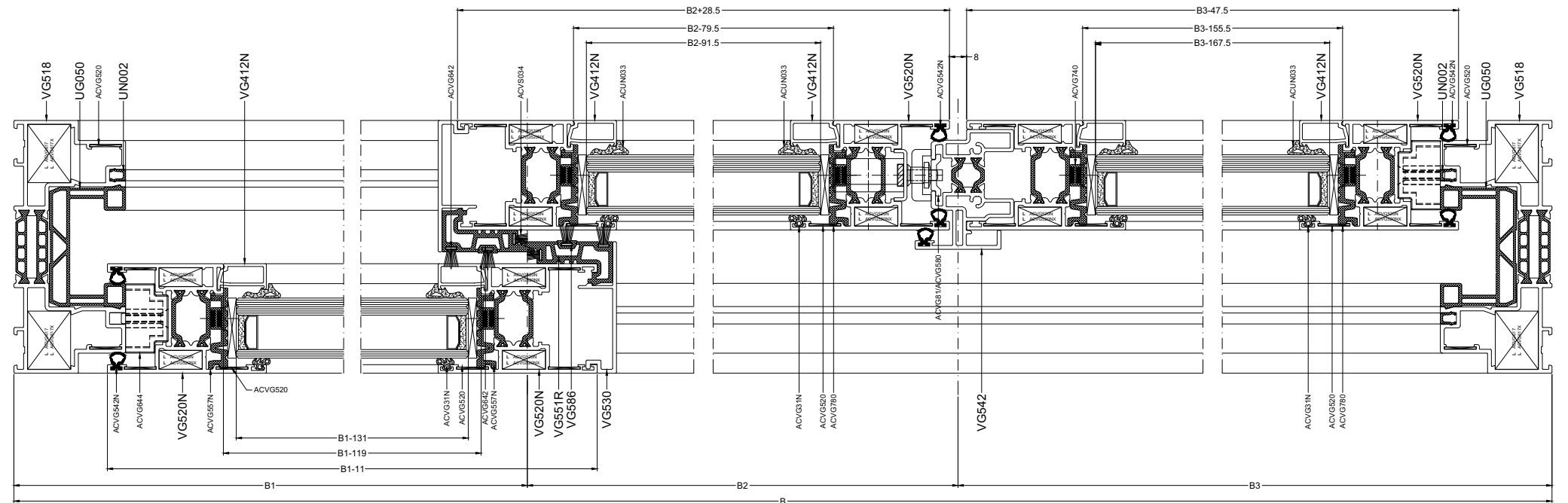
| | |
|--|------------|
| ACVG542N OF (OU) OPEN (ON) ACVG642 | 7H+4B-300 |
| ACVG31N | 6H+2B-1800 |
| ACUN033 (3-5 mm) | 6H+2B-1800 |
| ACUN036 (6-8 mm) | 6H+2B-1800 |
| ACVG642 | 4H-160 |
| ACVS034 | 4H-160 |

| | | |
|--|-----|---------|
| VLEUGELBREEDTE LARGEUR VANTAIL BREITE FLUGEL WIDTH SASH | FB1 | B1-11 |
| | FB2 | B2+28.5 |
| | FB3 | B3-47.5 |
| VLEUGELHOOGTE HAUTEUR D'OUVRANT FLUGEL HOHE VENT HEIGHT | FH | H-207 |



OVERZICHT SLOTEN, ZIE SZ CATALOGUS
 APERCU SERRURES, VOIR LE CATALOGUE SZ
 OVERVIEW LOCKS, SEE SZ CATALOG
 UEBERSICHT SCHLOSSER, SIEHE SZ KATALOG

MAXIMAAL VLEUGELGEWICHT
 POIDS MAXIMUM PAR VANTAIL
 MAXIMAL FLUGELGEWICHT
 MAX. WEIGHT OF THE VENT



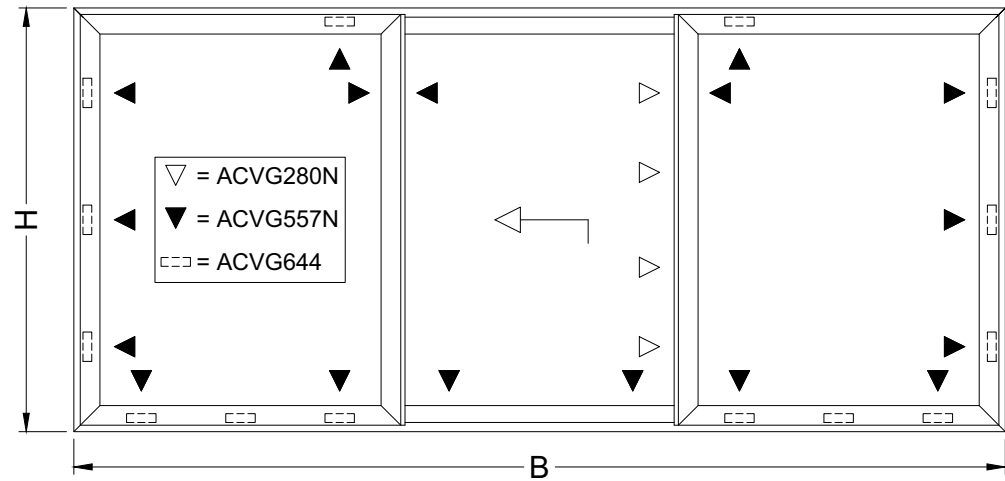
VG518-2RAIL-1F-20-2F

aliplast
member of

CORIALIS

VG500

VG518-2RAIL-1F-20(LS)-1F



PROFIELEN / PROFILES / PROFILS / PROFILS

| | | | | |
|--------|--|---|--|--------|
| VG518 | | 2 | | B |
| | | 2 | | H |
| UG050 | | 2 | | B-33 |
| | | 2 | | H-33 |
| VG521N | | 6 | | B/3+25 |
| | | 6 | | H-87 |
| VG530 | | 3 | | H-87 |
| VG553N | | 3 | | H-87 |
| VG632 | | 1 | | H-87 |

| | | | | |
|-------|--|---|--|---------|
| VG4XX | | 6 | | B/3-115 |
| | | 6 | | H-267 |

| | | | | |
|---------|--|---|--|---------|
| VG53(A) | | 1 | | 2B/3-38 |
|---------|--|---|--|---------|

| | | | | |
|--------------------------------------|--|---|--|--------|
| UN002 OF / OU / ODER / OR VG52 | | 1 | | B-104 |
| | | 2 | | B/3-92 |
| | | 3 | | H-104 |

OPTIONEEL / EN OPTION / FAKULTATIV / OPTIONAL

| | | | | |
|---------|--|---|--|---------|
| UN075 | | 1 | | B-9 |
| ACUN075 | | 1 | | |
| ACVL061 | | | | B/300+2 |

TOEBEHOREN / ACCESSOIRES ZUBEHÖRTEILE / ACCESSORIES

| | | | |
|-----------|----|---------|----|
| ACVG617 | 8 | ACMX853 | 16 |
| ACVG617X | | ACUN161 | |
| ACVG521N | 24 | ACMX854 | 48 |
| ACVG521NX | | ACUN160 | |
| ACVG520 | 44 | | |
| ACVG557N | 17 | | |
| ACVG644 | 14 | | |
| ACUN348 | 1 | | |
| ACVG45 | | | |
| ACGSL045 | | | |
| ACUN045 | | | |
| ACVG534 | | | |
| ACVG531 | 6 | | |
| ACUG830 | 2 | | |
| ACUG831 | 2 | | |
| ACVG280N | 1 | | |
| ACVG528 | 6 | | |

| | |
|--------------------|------------|
| ACVG542N | 7H+4B-200 |
| ACVG642 | |
| ACVG31N | 6H+2B-2000 |
| ACUN033 (3 - 5 mm) | 6H+2B-2000 |
| ACUN036 (6 - 8 mm) | |
| ACVG642 | 6H-180 |

| | |
|---------------|--------|
| ACVG269...273 | FB-586 |
| ACVG277...279 | FH-118 |

| | | |
|----|--|--------|
| FB | VLEUGELBREEDTE LARGEUR VANTAIL BREITE FLUGEL WIDTH SASH | B/3+25 |
| FH | VLEUGELHOOGTE HAUTEUR D'OUVRANT FLUGEL HOHE VENT HEIGHT | H-87 |

GLASMATEN / DIMENSIONS DES VITRAGES / GLASMASSE / GLASS SIZE

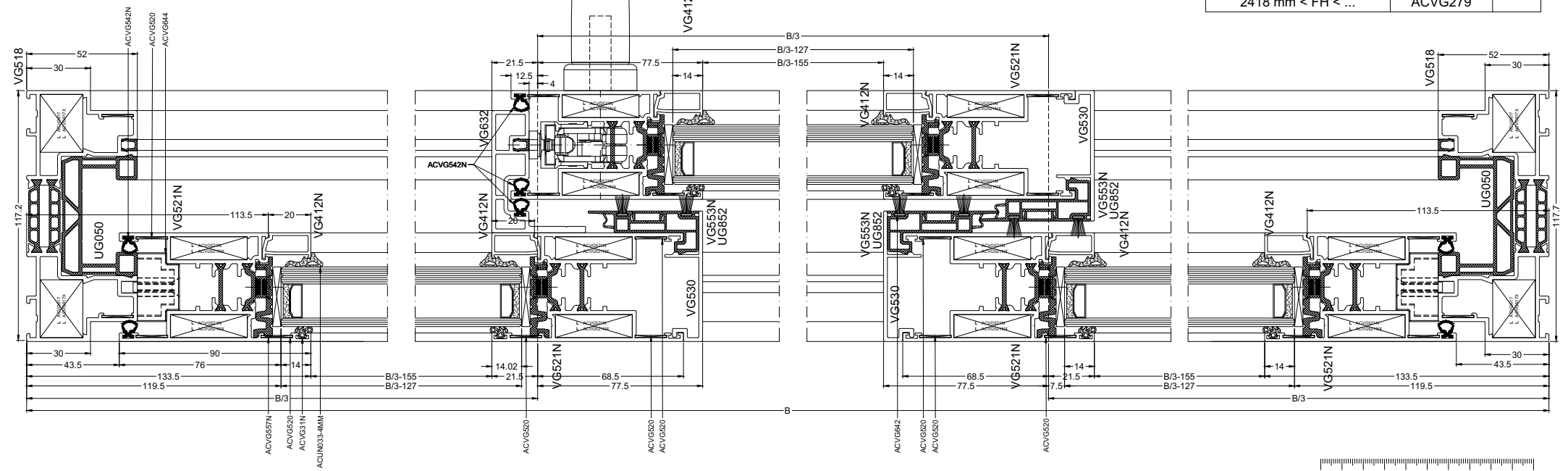
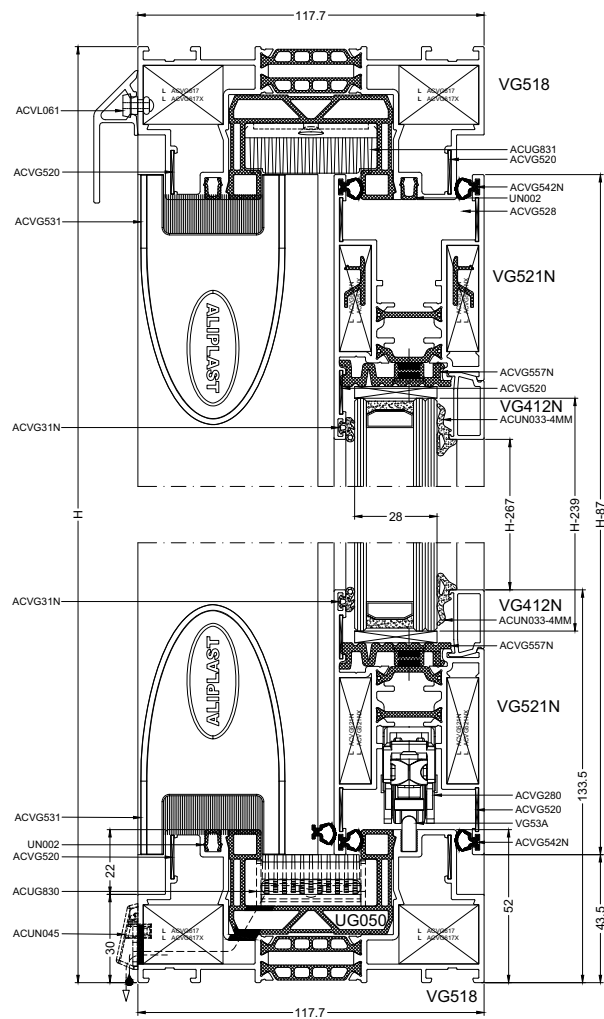
| | | |
|----|---------|-------|
| 3X | B/3-127 | H-239 |
|----|---------|-------|

| | |
|--|--------|
| MAXIMAAL VLEUGELGEWICHT POIDS MAXIMUM PAR VANTAIL MAXIMAL FLUGELGEWICHT MAX. WEIGHT OF THE VENT | 200 kg |
|--|--------|

OVERZICHT HANDGREPEN, ZIE SZ CATALOGUS
APERCU POIGNEES, VOIR LE CATALOGUE SZ
OVERVIEW HANDLES, SEE SZ CATALOG
UEBERSICHT HANDGRIFF, SIEHE SZ KATALOG

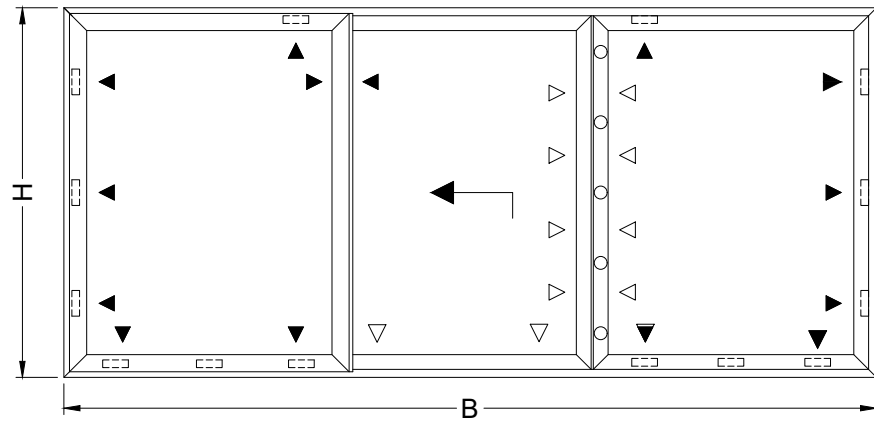
| | | |
|------------------------|---------|---|
| 702 mm < FB < 1278 mm | ACVG269 | 1 |
| 1206 mm < FB < 1782 mm | ACVG270 | |
| 1710 mm < FB < 2286 mm | ACVG271 | |
| 2214 mm < FB < 2790 mm | ACVG272 | |
| 2718 mm < FB < 3294 mm | ACVG273 | |

| | | |
|------------------------|---------|---|
| 1718 mm < FH < 2218 mm | ACVG277 | 1 |
| 2118 mm < FH < 2618 mm | ACVG278 | |
| 2418 mm < FH < ... | ACVG279 | |



VG518-2RAIL-1F-20(LS)-1F

VG518-2RAIL-1F-20(LS)-2F



- ▽ = ACVG280N
- ▼ = ACVG557N
- = ACVG644
- = ACVG240

PROFIELEN / PROFILES / PROFILES / PROFILS

| | | | |
|--------|--|---|---------|
| VG518 | | 2 | B |
| UG050 | | 2 | H |
| VG521N | | 2 | B-33 |
| | | 2 | H-33 |
| | | 2 | B1-3 |
| | | 2 | B2+36.5 |
| | | 6 | B3-47.5 |
| VG530 | | 2 | H-87 |
| VG553N | | 2 | H-87 |
| UG852 | | 2 | H-87 |
| VG542 | | 1 | H-87 |

| | | | |
|-------|--|---|----------|
| VG4XX | | 6 | H-267 |
| | | 2 | B1-143 |
| | | 2 | B2-103.5 |
| | | 2 | B3-187.5 |

| | | | |
|---------|--|---|------|
| VG53(A) | | 1 | B-94 |
|---------|--|---|------|

| | | | |
|---------------|--|---|----------|
| UN002 VG52 | | 1 | B-104 |
| | | 2 | B2+B3-70 |
| | | 2 | H-104 |

OPTIONEEL / EN OPTION / FAKULTATIV / OPTIONAL

| | | | |
|---------|--|---------|-----|
| UN075 | | 1 | B-9 |
| ACUN075 | | 1 | |
| ACVL061 | | B/300+2 | |

TOEBEHOREN / ACCESSOIRES ZUBEHÖRTEILE / ACCESSORIES

| | |
|---------------|--------|
| ACVG617 | 8 |
| ACVG617X | |
| ACVG521N | 24 |
| ACVG521NX | |
| ACVG520 | 44 |
| ACVG557N | 14 |
| ACVG644 | 14 |
| ACUN348 | 1 |
| ACVG543 | 1 |
| ACVG45 | |
| ACGSL045 | |
| ACUN045 | |
| ACVG534 | |
| ACVG528 | 6 |
| ACVG531 | 8 |
| ACUG830 | 1 |
| ACUG831 | 1 |
| ACVG240 | 1 |
| ACVG280N | 1 |
| ACVG269...273 | FB-586 |

| | |
|--------------------|----|
| ACMX853 ACUN161 | 16 |
| ACMX854 ACUN160 | 48 |

| | |
|--|------------|
| ACVG542N ACVG642 | 7H+4B-300 |
| ACVG31N | 6H+2B-2000 |
| ACUN033 (3 - 5 mm) ACUN036 (6 - 8 mm) | 6H+2B-2000 |
| ACVG642 | 4H-160 |

| | | |
|--|-------------------|----------------------------|
| VLEUGELBREEDTE LARGEUR VANTAIL BREITE FLÜGEL WIDTH SASH | FB1 FB2 FB3 | B1-3 B2+36.5 B3-47.5 |
| VLEUGELHOOGTE HAUTEUR D'OUVRANT FLÜGEL HOHE VENT HEIGHT | FH | H-87 |

| | | |
|------------------------|---------|---|
| 702 mm < FB < 1278 mm | ACVG269 | 1 |
| 1206 mm < FB < 1782 mm | ACVG270 | |
| 1710 mm < FB < 2286 mm | ACVG271 | |
| 2214 mm < FB < 2790 mm | ACVG272 | |
| 2718 mm < FB < 3294 mm | ACVG273 | |

| | | |
|------------------------|---------|---|
| 1718 mm < FH < 2218 mm | ACVG277 | 1 |
| 2118 mm < FH < 2618 mm | ACVG278 | |
| 2418 mm < FH < ... | ACVG279 | |

| | |
|---------------|--------|
| ACVG277...279 | FH-118 |
|---------------|--------|

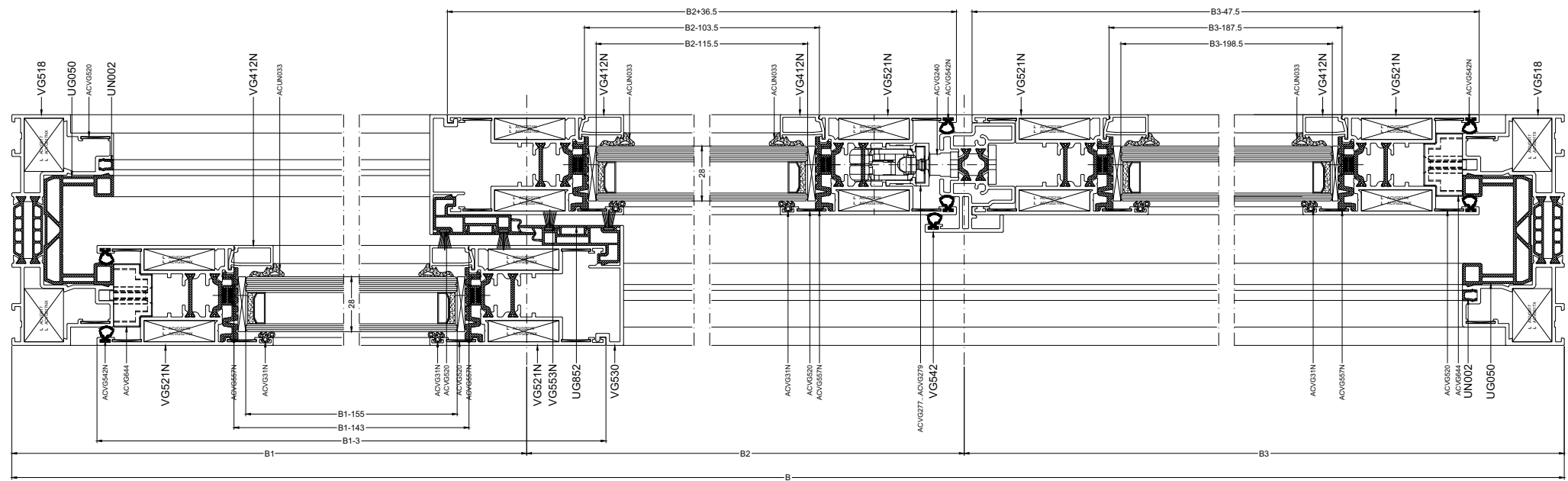
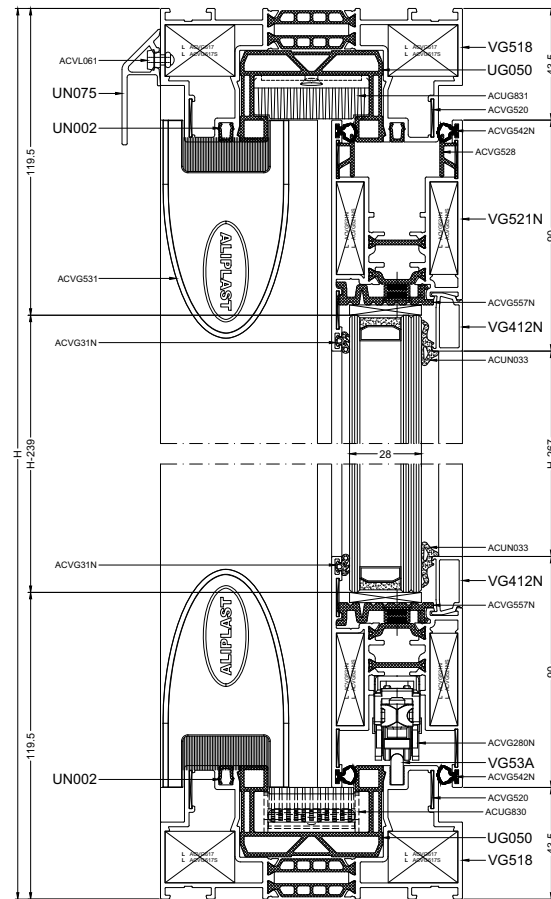
GLASMATEN / DIMENSIONS DES VITRAGES / GLASSMASSE / GLASS SIZE

| | | | | | |
|--|-----------------|--|-------------------|--|-------------------|
| | B1-155 H-239 | | B2-115.5 H-239 | | B3-198.5 H-239 |
|--|-----------------|--|-------------------|--|-------------------|

OVERZICHT HANDGREPEN, ZIE SZ CATALOGUS
APERÇU POIGNÉES, VOIR LE CATALOGUE SZ
OVERVIEW HANDLES, SEE SZ CATALOG
UEBERSICHT HANDGRIF, SIEHE SZ KATALOG

MAXIMAAL VLEUGELGEWICHT
POIDS MAXIMUM PAR VANTAIL
MAXIMAL FLÜGELGEWICHT
MAX. WEIGHT OF THE VENT

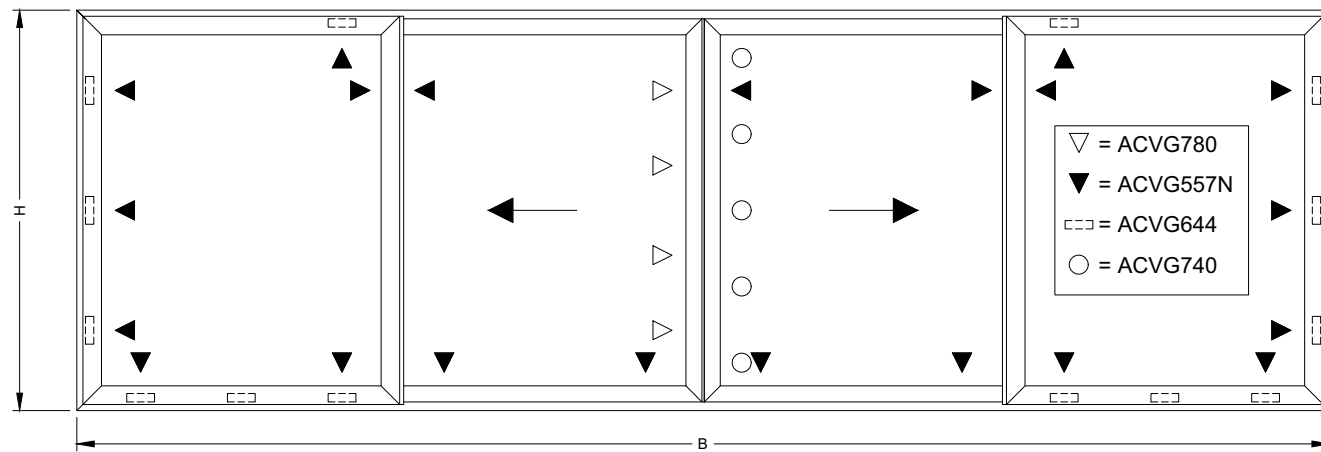
200 KG



ZAAGTABELLEN - COUPES ET DEBITS - ZUSCHNITTSTABELLEN - FABRICATION CHARTS

VG500

VG518-2RAIL-1F-20X20-1F



PROFIELEN / PROFILES / PROFILS / PROFILS

| | | | | |
|--------|--|---|--|----------|
| VG518 | | 2 | | B |
| | | 2 | | H |
| UG050 | | 2 | | B-33 |
| | | 2 | | H-33 |
| VG520N | | 8 | | B/4+8.75 |
| | | 8 | | H-87 |
| VG530 | | 4 | | H-87 |
| VG551R | | 4 | | H-87 |
| VG542 | | 1 | | H-87 |

| | | | | |
|-------|--|---|--|-----------|
| VG4XX | | 8 | | B/4-99.25 |
| | | 8 | | H-235 |

| | | | | |
|---------|--|---|--|------|
| VG53(A) | | 1 | | B-94 |
|---------|--|---|--|------|

| | | | | |
|-----------------------|--|---|--|--------|
| UN002 | | 1 | | B-104 |
| or (U) / option / opt | | 2 | | B/2-60 |
| VG52 | | 2 | | H-104 |

OPTIONEEL / EN OPTION / FAKULTATIV / OPTIONAL

| | | | | |
|---------|--|---|--|---------|
| UN075 | | 1 | | B-9 |
| ACUN075 | | 1 | | |
| ACVL061 | | | | B/300+2 |

| | | | | |
|---------|--|---|--|--------|
| VG586 | | 4 | | H-150 |
| ACVG642 | | | | 4H-300 |

TOEBEHOREN / ACCESSOIRES ZUBEHÖRTEILE / ACCESSORIES

| | |
|-----------|----------------|
| ACVG617 | 8 |
| ACVG617X | 8 |
| ACVG520N | 32 |
| ACVG520NX | 32 |
| ACVG520 | 56 |
| ACVG557N | 21 |
| ACVG644 | 14 |
| ACUN348 | 2 |
| ACVG543 | 1 |
| ACVG45 | MAX 800 mm (B) |
| ACGSL045 | |
| ACUN045 | |
| ACVG534 | MAX 800 mm (B) |
| ACVG531 | 8 |
| ACVG528 | 12 |
| ACUG830 | 2 |
| ACUG831 | 2 |
| ACVG780 | 1 |
| ACVG740 | H/300 |
| ACVG580 | 1 |
| ACVG81 | 1 |

| | |
|---------|----|
| ACMX853 | 16 |
| ACUN161 | |

| | |
|---------|----|
| ACMX854 | 64 |
| ACUN160 | |

| | | |
|----|--|----------|
| FB | VLEUGELBREEDTE LARGEUR VANTAIL BREITE FLÜGEL WIDTH SASH | B/4+8.75 |
| FH | VLEUGELHOOGTE HAUTEUR D'OUVRANT FLÜGEL HOHE VENT HEIGHT | H-87 |

GLASMATEN / DIMENSIONS DES VITRAGES / GLASMASSE / GLASS SIZE

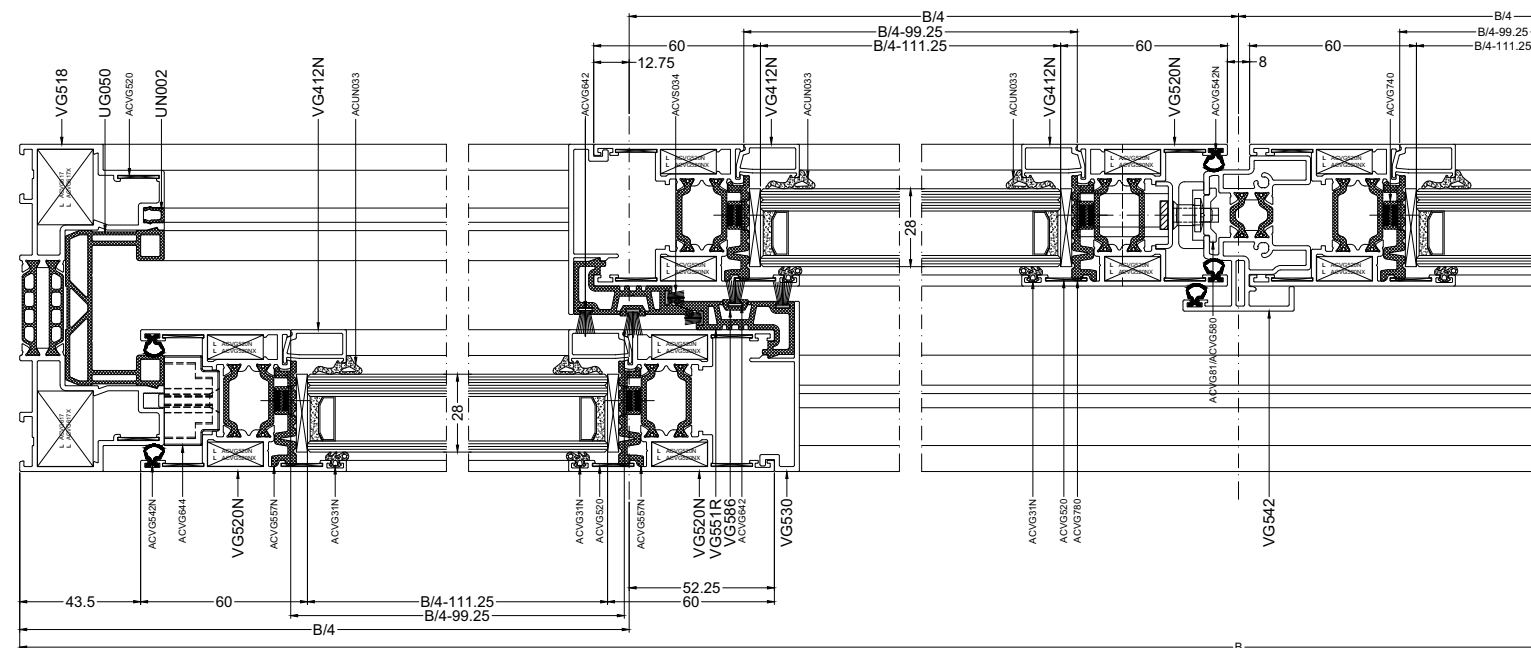
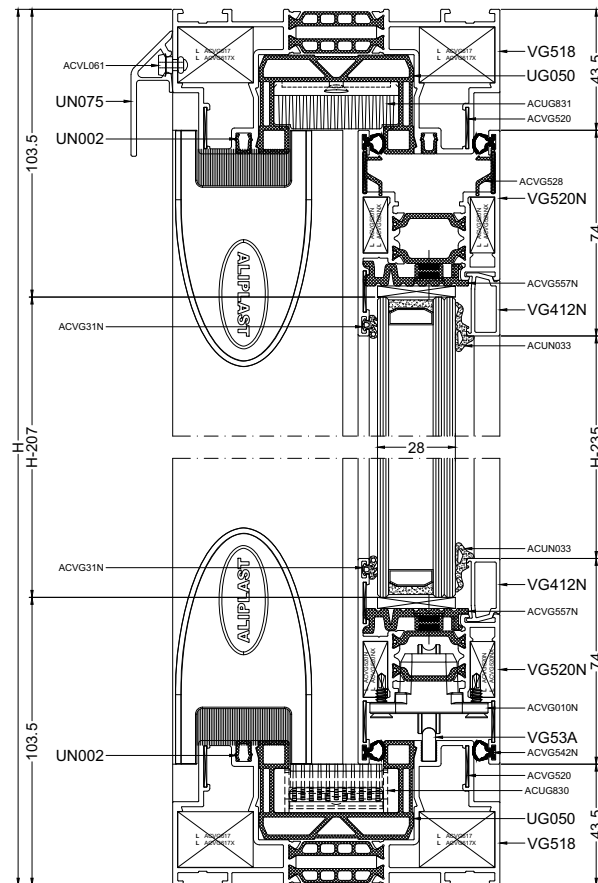
| | | |
|----|------------|-------|
| 4X | B/4-111.25 | H-207 |
|----|------------|-------|

MAXIMAL VLEUGELGEWICHT
POIDS MAXIMUM PAR VANTAIL
MAXIMAL FLÜGELGEWICHT
MAX. WEIGHT OF THE VENT

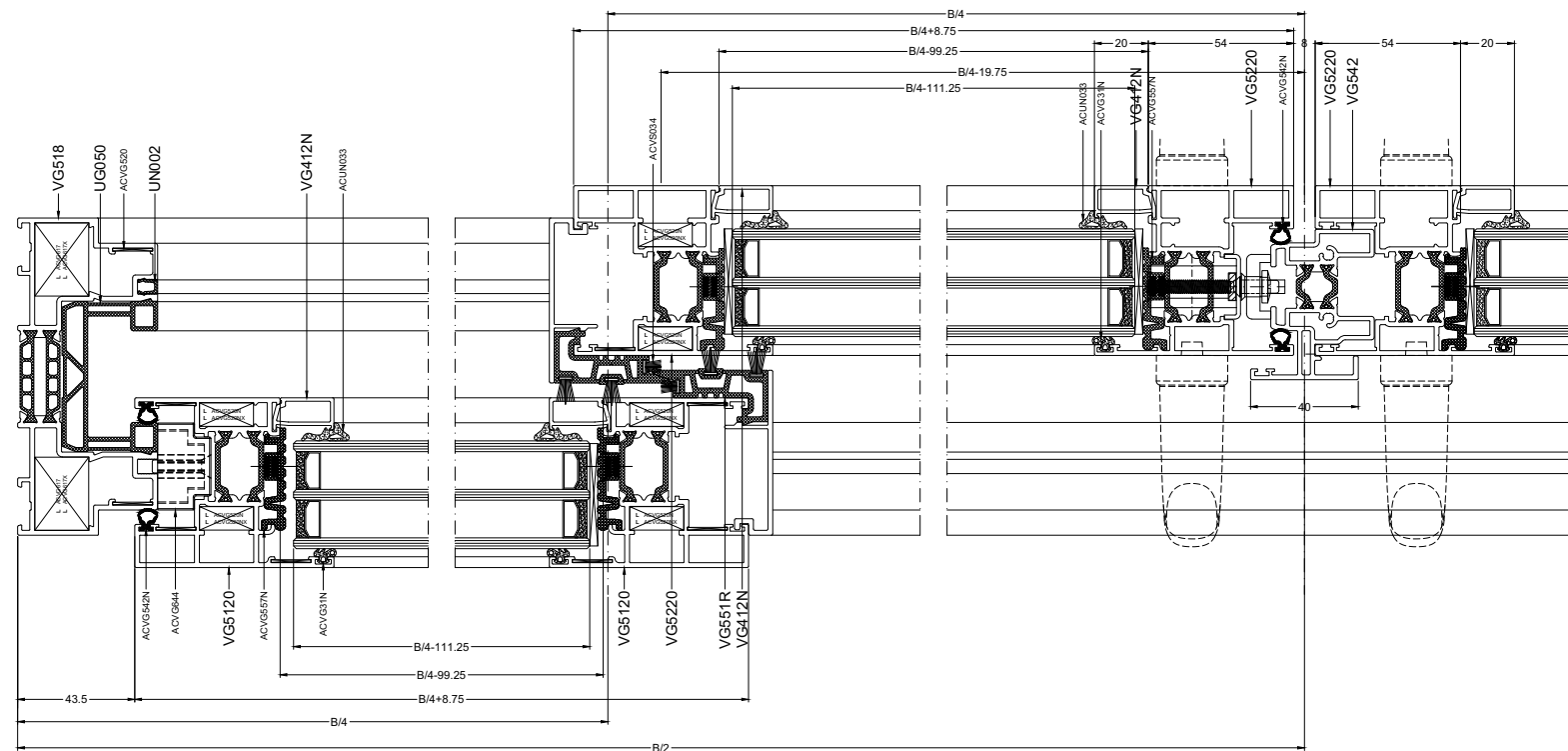
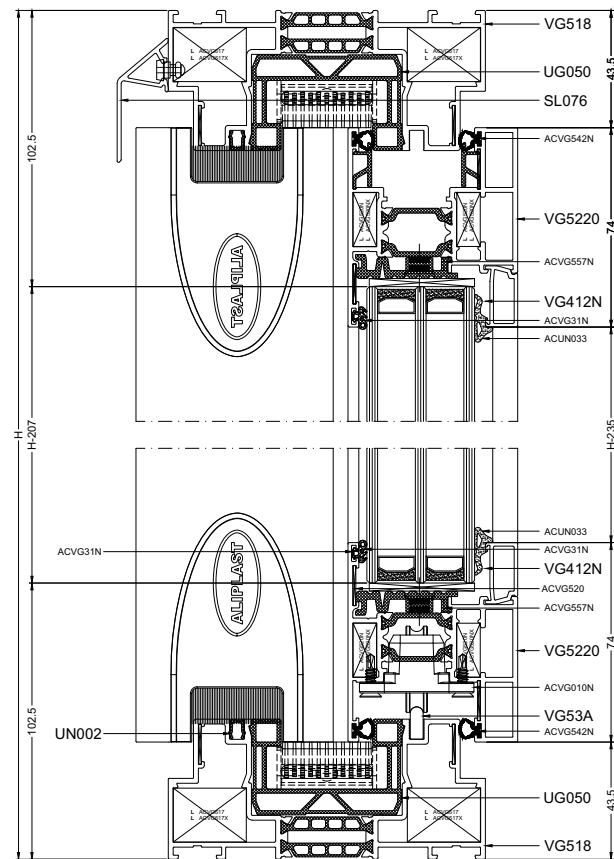
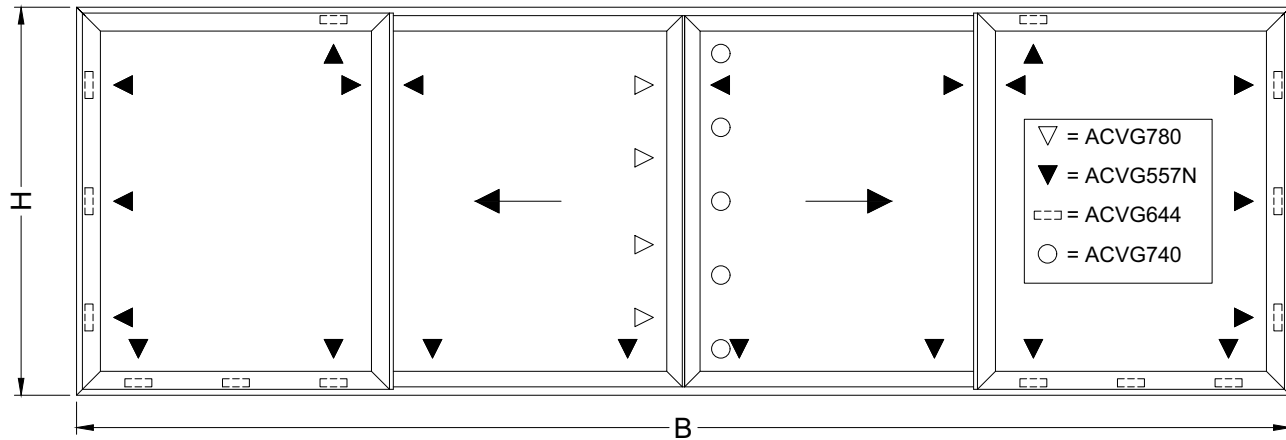
| | | |
|----------|---|----------|
| ACVG010N | 4 | → 250 KG |
| ACVG110N | 4 | → 200 KG |

| | |
|--------------------|-------------|
| ACVG542N | 11H+4B-1000 |
| ACVG642 | 11H+4B-1000 |
| ACVG31N | 8H+2B-2400 |
| ACUN033 (3 - 5 mm) | 8H+2B-2400 |
| ACUN036 (6 - 8 mm) | 8H+2B-2400 |
| ACVS034 | 4H-300 |

OVERZICHT SLOTEN, ZIE SZ CATALOGUS
APERCU SERRURES, VOIR LE CATALOGUE SZ
OVERVIEW LOCKS, SEE SZ CATALOG
UEBERSICHT SCHLÖESSER, SIEHE SZ KATALOG



VG518-2RAIL-1F-2OX2O-1F (VG5120-VG5220)



PROFIELEN / PROFILES / PROFILS / PROFILS

| | | | | |
|--------|--|---|--|----------|
| VG518 | | 2 | | B |
| | | 2 | | H |
| UG050 | | 2 | | B-33 |
| | | 2 | | H-33 |
| VG5120 | | 4 | | B/4+8.75 |
| | | 4 | | H-87 |
| VG5220 | | 4 | | B/4+8.75 |
| | | 4 | | H-87 |
| VG530 | | 4 | | H-87 |
| VG551R | | 4 | | H-87 |
| VG542 | | 1 | | H-87 |

| | | | | |
|-------|--|---|--|-----------|
| VG4XX | | 8 | | B/4-99.25 |
| | | 8 | | H-235 |

| | | | | |
|---------|--|---|--|------|
| VG53(A) | | 1 | | B-94 |
|---------|--|---|--|------|

| | | | | |
|-------|--|---|--|--------|
| UN002 | | 1 | | B-104 |
| VG52 | | 2 | | B/2-60 |
| | | 2 | | H-104 |

OPTIONEEL / EN OPTION / FAKULTATIV / OPTIONAL

| | | | | |
|---------|--|---|--|---------|
| SL076 | | 1 | | B |
| ACVL061 | | | | B/300+2 |

| | | | | |
|---------|--|---|--|--------|
| VG586 | | 4 | | H-87 |
| ACVG642 | | | | 4H-300 |

TOEBEHOREN / ACCESSOIRES ZUBEHÖRTEILE / ACCESSORIES

| | | |
|-----------|-------|------------|
| ACVG617 | 8 | |
| ACVG617X | 8 | |
| ACVG520N | 32 | |
| ACVG520NX | 32 | |
| ACVG520 | 56 | |
| ACVG557N | 21 | |
| ACVG644 | 14 | |
| ACUN348 | 2 | |
| ACVG543 | 1 | |
| ACVG45 | | MAX 800 mm |
| ACGSL045 | | |
| ACUN045 | | |
| ACVG531 | 8 | |
| ACVG528 | 12 | |
| ACUG830 | 4 | |
| ACVG780 | 1 | |
| ACVG740 | H/300 | |
| ACVG580 | 1 | |
| ACVG81 | 1 | |

| | |
|---------|----|
| ACMX853 | 16 |
| ACUN161 | |

| | |
|---------|----|
| ACMX854 | 64 |
| ACUN160 | |

| | | |
|----|--|----------|
| FB | VLEUGELBREEDTE LARGEUR VANTAIL BREITE FLÜGEL WIDTH SASH | B/4+8.75 |
| FH | VLEUGELHOOGTE HAUTEUR D'OUVRANT FLÜGEL HOHE VENT HEIGHT | H-87 |

GLASMATEN / DIMENSIONS DES VITRAGES / GLASMASSE / GLASS SIZE

| | | |
|----|------------|-------|
| 4X | B/4-111.25 | H-207 |
|----|------------|-------|

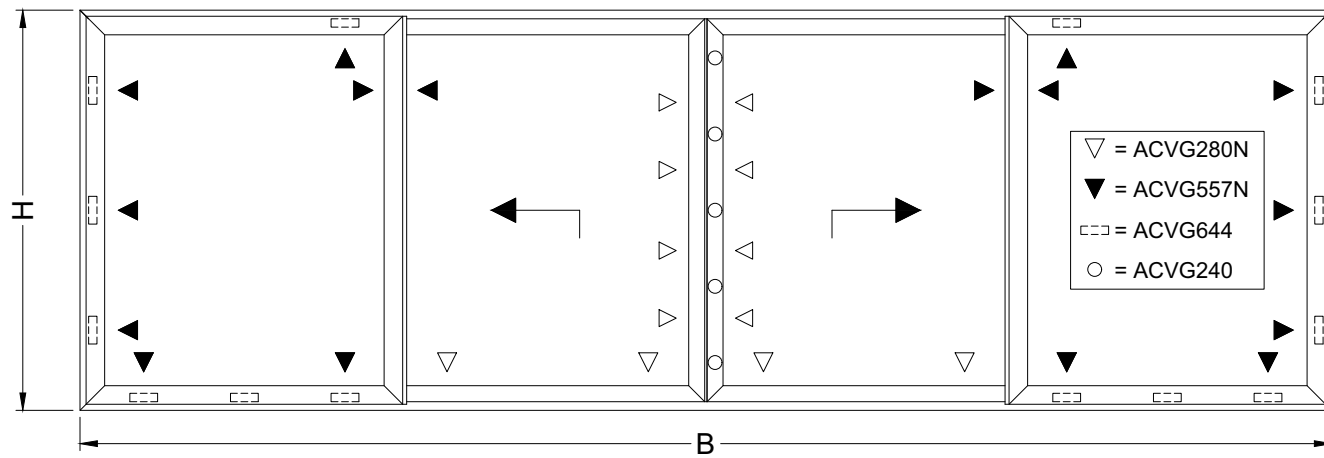
MAXIMAAL VLEUGELGEWICHT
POIDS MAXIMUM PAR VANTAIL
MAXIMAL FLÜGELGEWICHT
MAX. WEIGHT OF THE VENT

| | | |
|----------|---|----------|
| ACVG010N | 4 | → 250 KG |
| ACVG110N | 4 | → 200 KG |

OVERZICHT SLOTEN, ZIE SZ CATALOGUS
APERCU SERRURES, VOIR LE CATALOGUE SZ
OVERVIEW LOCKS, SEE SZ CATALOG
UEBERSICHT SCHLOSSER, SIEHE SZ KATALOG

VG500

VG518-2RAIL-1F-20(LS)X20(LS)-1F



PROFIELEN / PROFILES / PROFILS / PROFILS

| | | | | |
|-----------|--|---|--|-----------|
| VG518 | | 2 | | B |
| | | 2 | | H |
| UG050 | | 2 | | B-33 |
| | | 2 | | H-33 |
| VG521N | | 8 | | B/4+16.75 |
| | | 8 | | H-87 |
| VG530 | | 4 | | H-87 |
| VG553N | | 4 | | H-87 |
| UG852 | | 4 | | H-87 |
| (*) VG542 | | 1 | | H-87 |

| | | | | |
|-------|--|---|--|------------|
| VG4XX | | 8 | | B/4-123.25 |
| | | 8 | | H-267 |

| | | | | |
|---------|--|---|--|------|
| VG53(A) | | 1 | | B-94 |
|---------|--|---|--|------|

| | | | | |
|-------|--|---|--|----------|
| UN002 | | 1 | | B-104 |
| | | 2 | | B/2-76.1 |
| VG52 | | 2 | | H-104 |

OPTIONEEL / EN OPTION / FAKULTATIV / OPTIONAL

| | | | | |
|---------|--|---|--|---------|
| UN075 | | 1 | | B-9 |
| ACUN075 | | 1 | | |
| ACVL061 | | | | B/300+2 |

TOEBEHOREN / ACCESSOIRES ZUBEHÖRTEILE / ACCESSORIES

| | | |
|---------------|----|--------------------|
| ACVG617 | 8 | |
| ACVG617X | | 16 |
| ACVG521N | 32 | |
| ACVG521NX | | 64 |
| ACVG520 | 56 | |
| ACVG557N | 16 | |
| ACVG644 | 14 | |
| ACUN348 | 2 | |
| ACVG543 | 1 | |
| ACVG45 | | MAX 800 mm (B) |
| ACGSL045 | | |
| ACUN045 | | |
| ACVG534 | | MAX 800 mm (4x FB) |
| ACVG528 | 12 | |
| ACVG531 | 8 | |
| ACUG830 | 2 | |
| ACUG831 | 2 | |
| ACVG240 | 1 | |
| ACVG280N | 2 | |
| ACVG269...273 | | FB-586 |

| | |
|---------|----|
| ACMX853 | 16 |
| ACUN161 | |

| | |
|---------|----|
| ACMX854 | 64 |
| ACUN160 | |

| | |
|--------------------|------------|
| ACVG542N | 7H+4B-300 |
| ACVG642 | |
| ACVG31N | 8H+2B-2900 |
| ACUN033 (3 - 5 mm) | 8H+2B-2900 |
| ACUN036 (6 - 8 mm) | |
| ACVG642 | 8H-240 |

MAXIMAAL VLEUGELGEWICHT
POIDS MAXIMUM PAR VANTAIL
MAXIMAL FLUGELGEWICHT
MAX. WEIGHT OF THE VENT **200 KG**

GLASMATEN / DIMENSIONS DES
VITRAGES / GLASSMASSE / GLASS SIZE

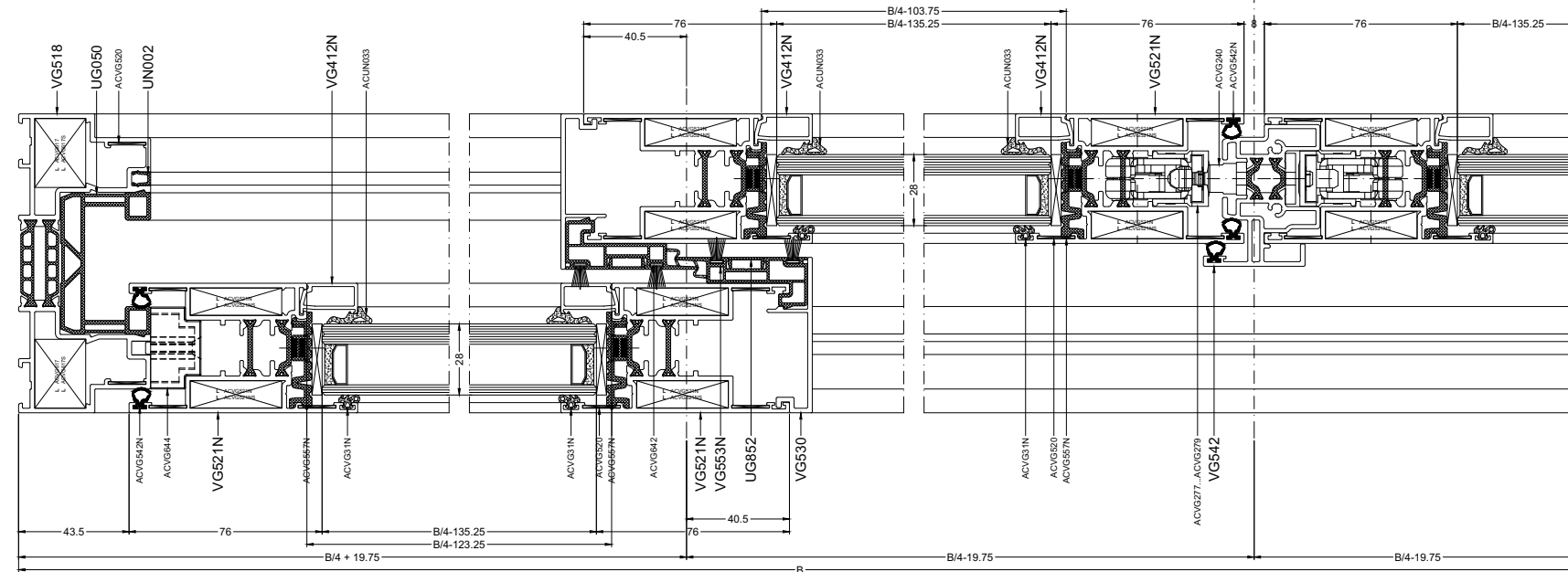
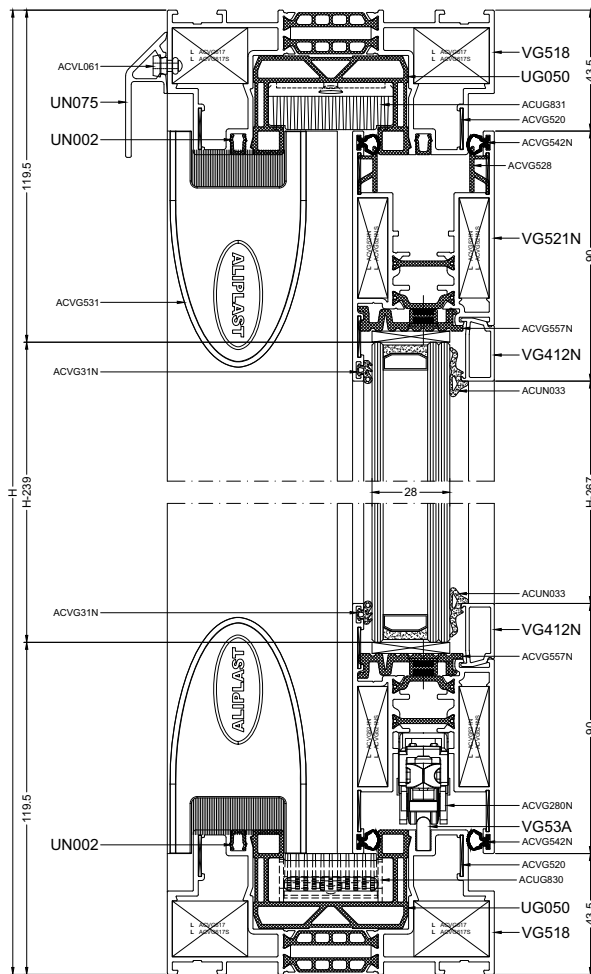
| | | |
|-----------|------------|-------|
| 4X | B/4-135.25 | H-239 |
|-----------|------------|-------|

| | | |
|------------------------|---------|---|
| 702 mm < FB < 1278 mm | ACVG269 | 2 |
| 1206 mm < FB < 1782 mm | ACVG270 | |
| 1710 mm < FB < 2286 mm | ACVG271 | |
| 2214 mm < FB < 2790 mm | ACVG272 | |
| 2718 mm < FB < 3294 mm | ACVG273 | |

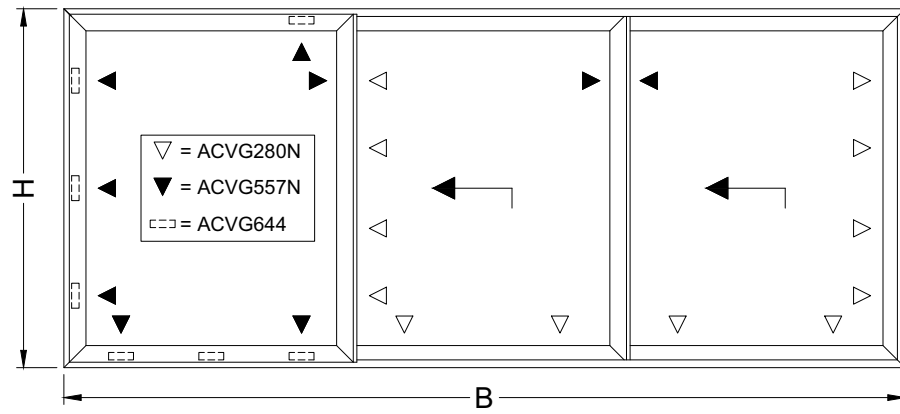
| | | |
|------------------------|---------|---|
| 1718 mm < FH < 2218 mm | ACVG277 | 2 |
| 2118 mm < FH < 2618 mm | ACVG278 | |
| 2418 mm < FH < ... | ACVG279 | |

OVERZICHT HANDGREPEN, ZIE SZ CATALOGUS
APERÇU POIGNÉES, VOIR LE CATALOGUE SZ
OVERVIEW HANDLES, SEE SZ CATALOG
ÜBERSICHT HANDGRIF, SIEHE SZ KATALOG

| | |
|---------------|--------|
| ACVG277...279 | FH-118 |
|---------------|--------|



VG612-3RAIL-1F-20(LS)-30(LS)



PROFIELEN / PROFILES / PROFILES / PROFILS

| | | | | |
|--------------------------------------|--|---|--|-----------|
| VG612 | | 2 | | B |
| | | 2 | | H |
| UG050 | | 4 | | B-33 |
| | | 4 | | H-33 |
| VG521N | | 6 | | B/3+25 |
| | | 6 | | H-87 |
| VG530 | | 4 | | H-87 |
| VG553N | | 4 | | H-87 |
| UG852 | | 4 | | H-87 |
| VG4XX | | 6 | | B/3-115 |
| | | 6 | | H-267 |
| VG53(A) | | 2 | | B-94 |
| UN002 OF / OU / ODER / OR VG52 | | 2 | | B-104 |
| | | 2 | | 2B/3-98.3 |
| | | 5 | | H-104 |

OPTIONEEL / EN OPTION / FAKULTATIV / OPTIONAL

| | | | | |
|---------|--|---|--|---------|
| UN075 | | 1 | | B-9 |
| ACUN075 | | 1 | | |
| ACVL061 | | | | B/300+2 |

**TOEBEHOREN / ACCESSOIRES
ZUBEHÖRTEILE / ACCESSORIES**

| | | |
|---------------|--------|-----------------------|
| ACVG617 | 8 | |
| ACVG617X | | ACMX853 ACUN161 |
| | | 16 |
| ACVG521N | 24 | |
| ACVG521NX | | ACMX854 ACUN160 |
| | | 48 |
| ACVG520 | 48 | |
| ACVG557N | 8 | |
| ACVG644 | 7 | |
| ACUN348 | 2 | |
| ACVG45 | | MAX 800 mm (B) |
| ACGSL045 | | |
| ACUN045 | | |
| ACVG534 | | MAX 800 mm (3x FB) |
| ACVG531 | 8 | |
| ACVG528 | 12 | |
| ACUG830 | 2 | |
| ACUG831 | 2 | |
| ACVG280N | 2 | |
| ACVG269...273 | FB-586 | |

| | |
|--------------------|------------|
| ACVG542N | 4H+4B |
| ACVG642 | |
| ACVG31N | 6H+2B-2000 |
| ACUN033 (3 - 5 mm) | 6H+2B-2000 |
| ACUN036 (6 - 8 mm) | 6H+2B-2000 |
| ACVG642 | 4H-100 |

| | | |
|----|--|--------|
| FB | VLEUGELBREEDTE LARGEUR VANTAIL BREITE FLÜGEL WIDTH SASH | B/3+25 |
| FH | VLEUGELHOOGTE HAUTEUR D'OUVRANT FLÜGEL HOHE VENT HEIGHT | H-87 |

MAXIMAAL VLEUGELGEWICHT
 POIDS MAXIMUM PAR VANTAIL
 MAXIMAL FLÜGELGEWICHT
 MAX. WEIGHT OF THE VENT **200 KG**

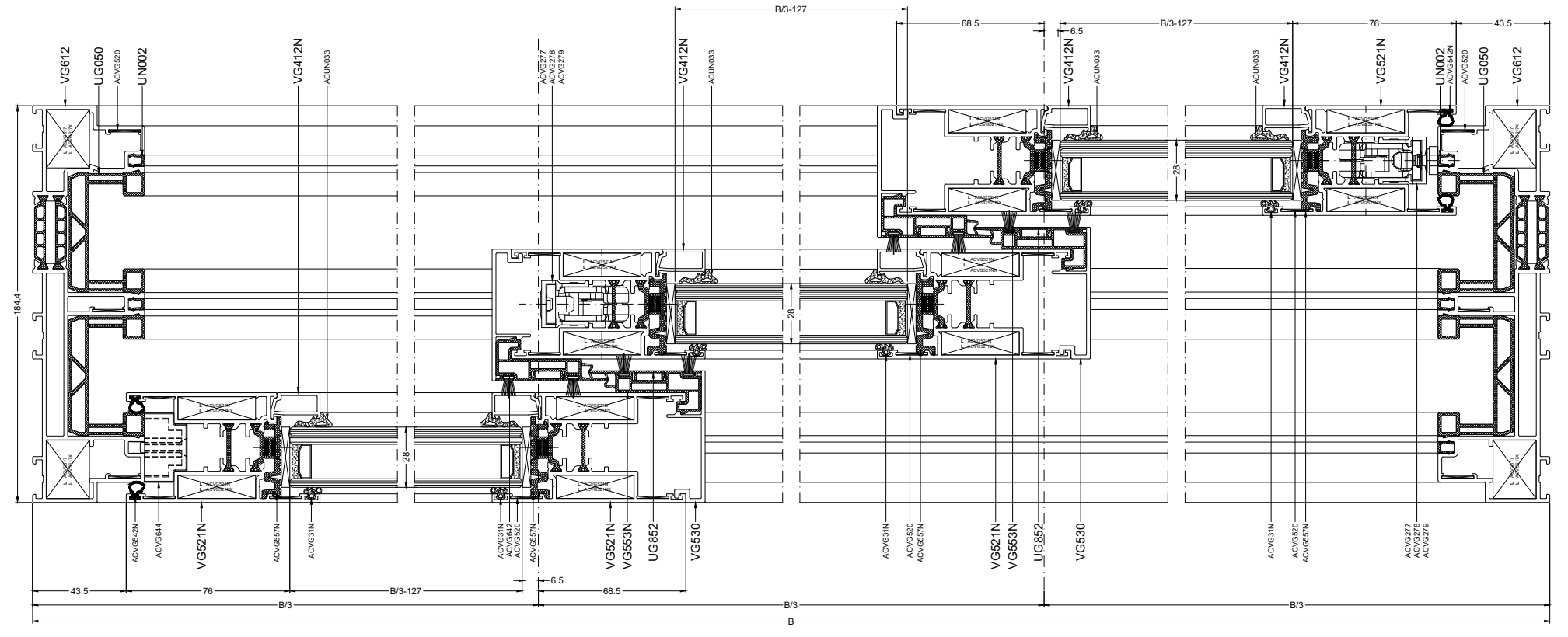
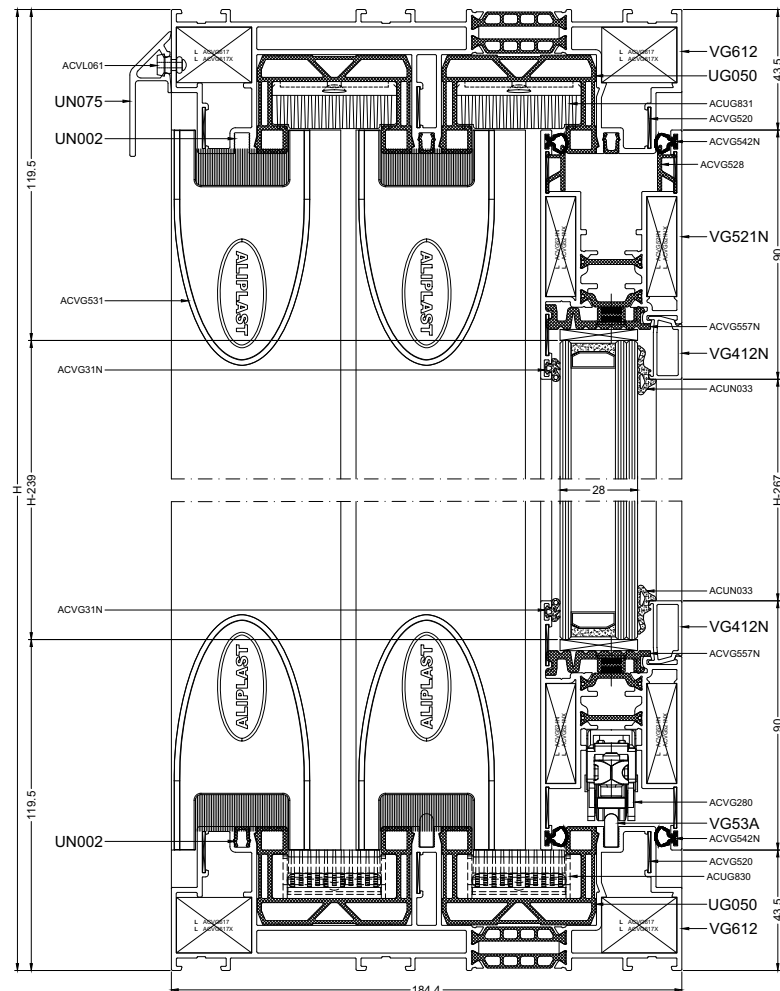
GLASMATEN / DIMENSIONS DES
VITRAGES / GLASSMASSE / GLASS SIZE

| | | |
|----|---------|-------|
| 3X | B/3-127 | H-239 |
|----|---------|-------|

| | | |
|------------------------|---------|---|
| 702 mm < FB < 1278 mm | ACVG269 | |
| 1206 mm < FB < 1782 mm | ACVG270 | |
| 1710 mm < FB < 2286 mm | ACVG271 | 2 |
| 2214 mm < FB < 2790 mm | ACVG272 | |
| 2718 mm < FB < 3294 mm | ACVG273 | |

| | | |
|------------------------|---------|---|
| 1718 mm < FH < 2218 mm | ACVG277 | |
| 2118 mm < FH < 2618 mm | ACVG278 | 2 |
| 2418 mm < FH < ... | ACVG279 | |

ACVG277...279 FH-118



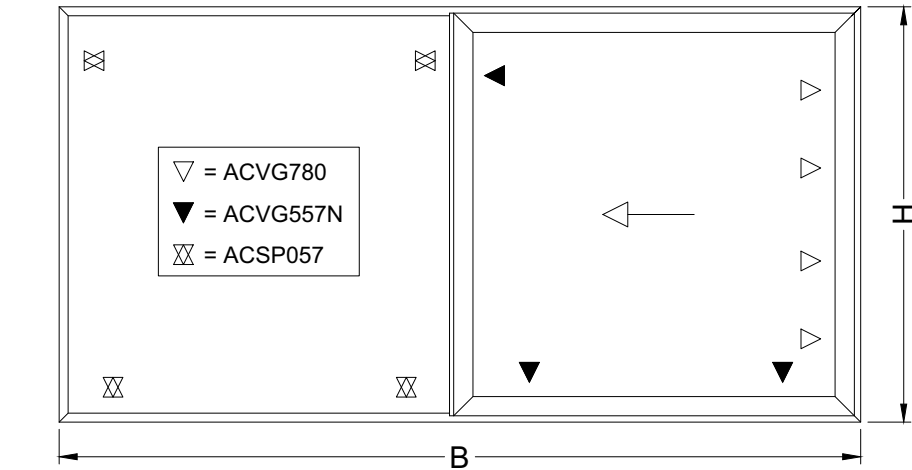
VG612-3RAIL-1F-20(LS)-30(LS)

aliplast
member of

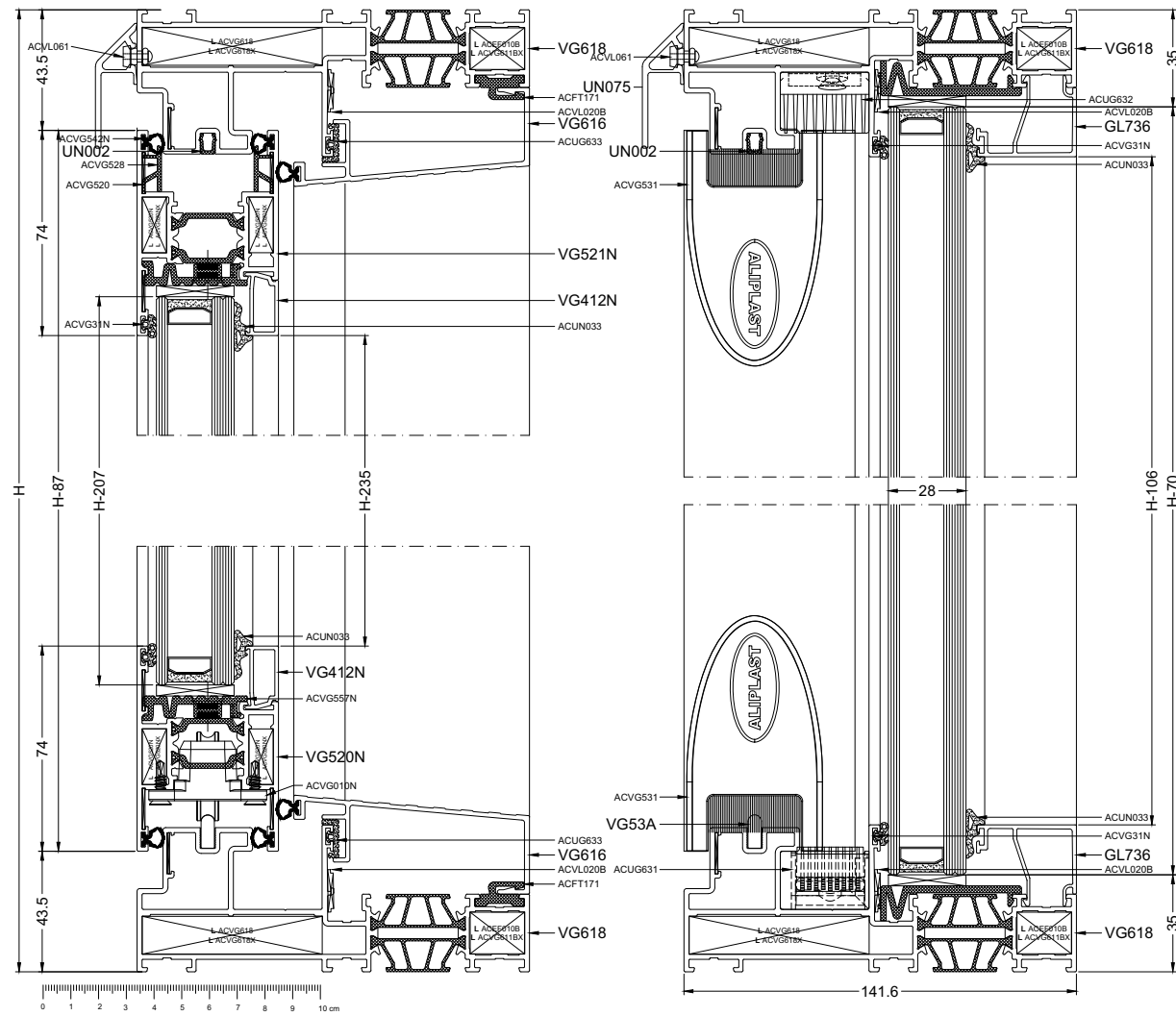


VG500

VG618-1RAIL-2F-10



| | | |
|----|--|--------|
| FB | VLEUGELBREEDTE LARGEUR VANTAIL BREITE FLÜGEL WIDTH SASH | B/2-11 |
| FH | VLEUGELHOOGTE HAUTEUR D'OUVRANT FLÜGEL HOHE VENT HEIGHT | H-87 |



PROFIELEN / PROFILES / PROFILS / PROFILS

| | | | | |
|--------|--|---|--|--------|
| VG618 | | 2 | | B |
| | | 2 | | H |
| VG520N | | 2 | | B/2-11 |
| | | 2 | | H-87 |
| VG620 | | 1 | | H-56 |
| VG530 | | 1 | | H-87 |
| VG630 | | 1 | | H-56 |
| VG551R | | 2 | | H-87 |

OF / OU / ODER / OR

| | | | | |
|--------|--|---|--|----------|
| VG615 | | 1 | | H-112.6 |
| VG616 | | 2 | | B/2-69.5 |
| VG615 | | 1 | | H-106 |
| VG2616 | | 2 | | B/2-69.5 |

| | | | | |
|-------|--|---|--|----------|
| VG4XX | | 2 | | B/2-119 |
| | | 2 | | H-235 |
| GL7XX | | 2 | | B/2-44.5 |
| | | 2 | | H-106 |

| | | | | |
|---------|--|---|--|------|
| VG53(A) | | 1 | | B-94 |
|---------|--|---|--|------|

| | | | | |
|-------|--|---|--|-------|
| VG52 | | 1 | | B-104 |
| UN002 | | 2 | | H-104 |

OPTIONEEL / EN OPTION / FAKULTATIV / OPTIONAL

| | | | | |
|---------|--|---|--|---------|
| UN075 | | 1 | | B-9 |
| ACUN075 | | 1 | | |
| ACVL061 | | | | B/300+2 |

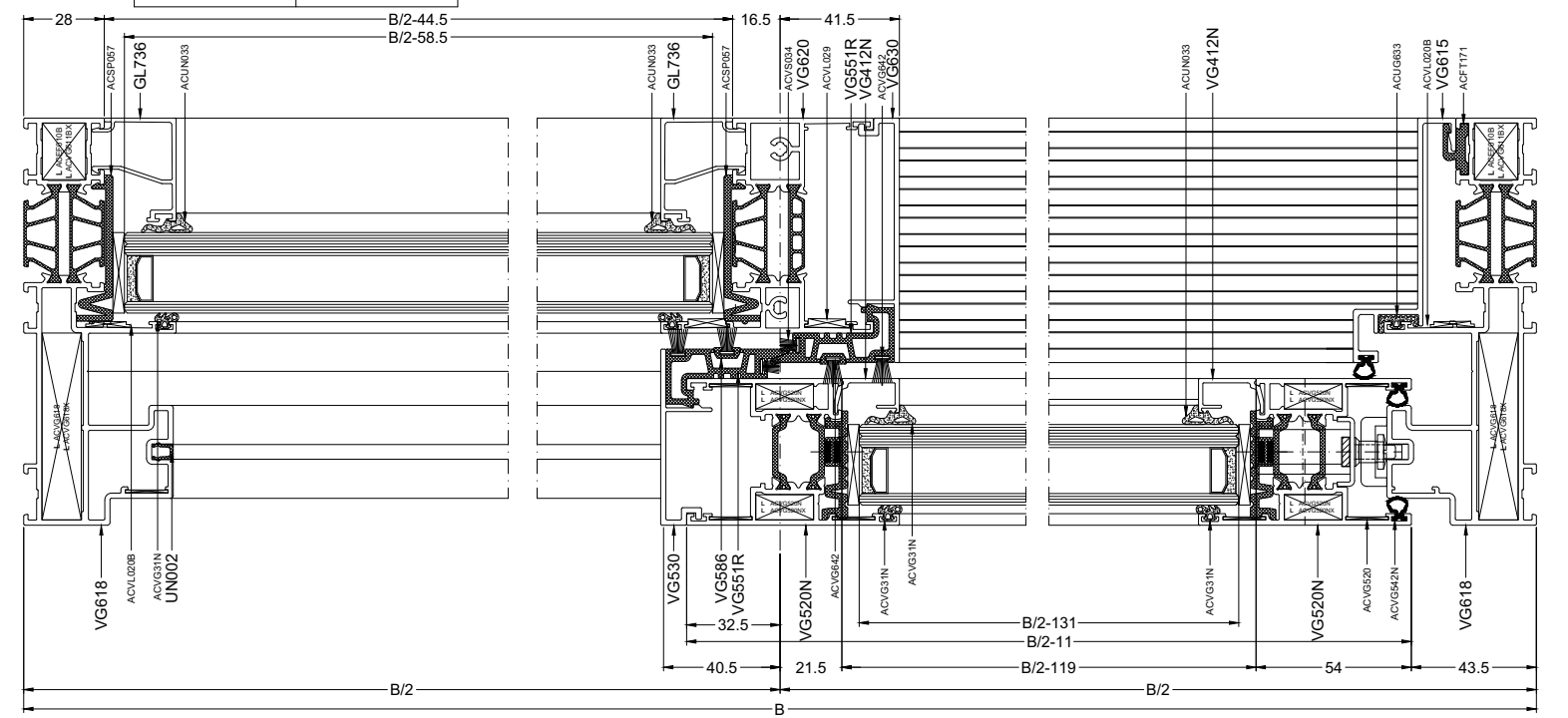
| | | | | |
|---------|--|---|--|--------|
| VG586 | | 2 | | H-87 |
| ACVG642 | | | | 2H-150 |

TOEBEHOREN / ACCESSOIRES ZUBEHÖRTEILE / ACCESSORIES

| | | | |
|------------|--------------------|---------|----------|
| ACVG618 | 4 | ACMX853 | 8 |
| ACVG618X | 4 | ACUN161 | 8 |
| ACEF010B | 4 | ACMX853 | 8 |
| ACVG611BX | 4 | ACUN161 | 8 |
| ACVG520N | 8 | ACMX854 | 16 |
| ACVG520NX | 8 | ACUN160 | 16 |
| ACVL020(B) | 4 | | |
| ACVG520 | 16 | | |
| ACVL029 | 6 | | |
| ACVG557N | 3 | | |
| ACSP057 | 4 | | |
| ACVG780 | 1 | | |
| ACFT171 | (H+B-200)/300 | | |
| ACUG631 | 1 | | |
| ACUG632 | 1 | | |
| ACGSL057 | 2 | | |
| ACUN348 | 1 | | |
| ACVG45 | MAX 800 mm (B) | | |
| ACGSL045 | MAX 800 mm (1x FB) | | |
| ACUN045 | | | |
| ACVG534 | 2 | | |
| ACVG528 | 6 | | |
| ACVG531 | 2 | | |
| ACVG010N | 2 | | > 250 KG |
| ACVG110N | 2 | | > 200 KG |

GLASMATEN / DIMENSIONS DES VITRAGES / GLASSIZE / GLASS SIZE

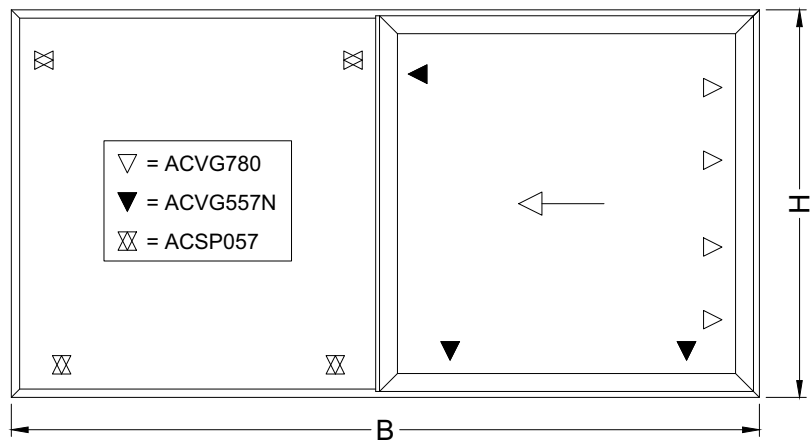
| | |
|------------------|------------------------------|
| ACVG542N | 5H+3B-300 |
| ACVG642 | H+B-200 |
| ACUG633 | H+B-200 |
| ACVG31N | (1) 2H+B-200 (2) 2H+B-700 |
| ACUN033 (3-5 mm) | (1) 2H+B-200 |
| ACUN036 (6-8 mm) | (2) 2H+B-700 |
| ACVS034 | 2H-150 |



OVERZICHT HANDGREPEN, ZIE SZ CATALOGUS
APERCU POIGNEES, VOIR LE CATALOGUE SZ
OVERVIEW HANDLES, SEE SZ CATALOG
UEBERSICHT HANDGRIFF, SIEHE SZ KATALOG

MAXIMAAL VLEUGELGEWICHT
POIDS MAXIMUM PAR VANTAIL
MAXIMAL FLÜGELGEWICHT
MAX. WEIGHT OF THE VENT

VG618-1RAIL-2F-1O (VG5120)



| | | |
|----|---|--------|
| FB | VLEUGELBREEDETE LARGEUR VANTAIL BREITE FLUGEL WIDTH SASH | B/2-11 |
| FH | VLEUGELHOOGTE HAUTEUR D'OUVRANT FLUGEL HOHE VENT HEIGHT | H-87 |

| PROFIENEN / PROFILES / PROFILS / PROFILS | | | |
|--|--|---|--------|
| VG618 | | 2 | B |
| | | 2 | H |
| VG5120 | | 2 | B/2-11 |
| | | 2 | H-87 |
| VG620 | | 1 | H-56 |
| VG530 | | 1 | H-87 |
| VG630 | | 1 | H-56 |
| VG551R | | 2 | H-87 |

TOEBEHOREN / ACCESSOIRES ZUBEHÖRTEILE / ACCESSORIES

| | | | |
|------------|---------------|---------|------------|
| ACVG618 | 4 | ACMX853 | 8 |
| ACVG618X | 4 | ACUN161 | 8 |
| ACEF010B | 4 | ACMX853 | 8 |
| ACVG611BX | 4 | ACUN161 | 8 |
| ACVG520N | 8 | ACMX854 | 16 |
| ACVG520NX | 8 | ACUN160 | 16 |
| ACVL020(B) | 4 | | |
| ACVG520 | 16 | | |
| ACVL029 | 6 | | |
| ACVG557N | 3 | | |
| ACSP057 | 4 | | |
| ACVG780 | 1 | | |
| ACFT171 | (H+B-200)/300 | | |
| ACUG631 | 1 | | |
| ACUG632 | 1 | | |
| ACGSL057 | 2 | | |
| ACUN348 | 1 | | |
| ACVG45 | MAX 800 mm | | |
| ACVG528 | 6 | | |
| ACVG531 | 2 | | |
| ACVG010N | 2 | | → > 250 KG |
| ACVG110N | 2 | | → > 200 KG |

GLASMATEN / DIMENSIONS DES VITRAGES / GLASSIZE / GLASS SIZE

| | | | |
|------------------|--------------|--|---------|
| | B/2-58.5 | | B/2-131 |
| | H-70 | | H-207 |
| ACVG542N | 5H+3B-300 | | |
| ACVG642 | | | |
| ACUG633 | H+B-200 | | |
| ACVG31N | (1) 2H+B-200 | | |
| | (2) 2H+B-700 | | |
| ACUN033 (3-5 mm) | (1) 2H+B-200 | | |
| ACUN036 (6-8 mm) | (2) 2H+B-700 | | |
| ACVS034 | 2H-150 | | |

OF / OU / ODER / OR

| | | | |
|--------|--|---|----------|
| VG615 | | 1 | H-112.6 |
| VG616 | | 2 | B/2-69.5 |
| VG615 | | 1 | H-106 |
| VG2616 | | 2 | B/2-69.5 |

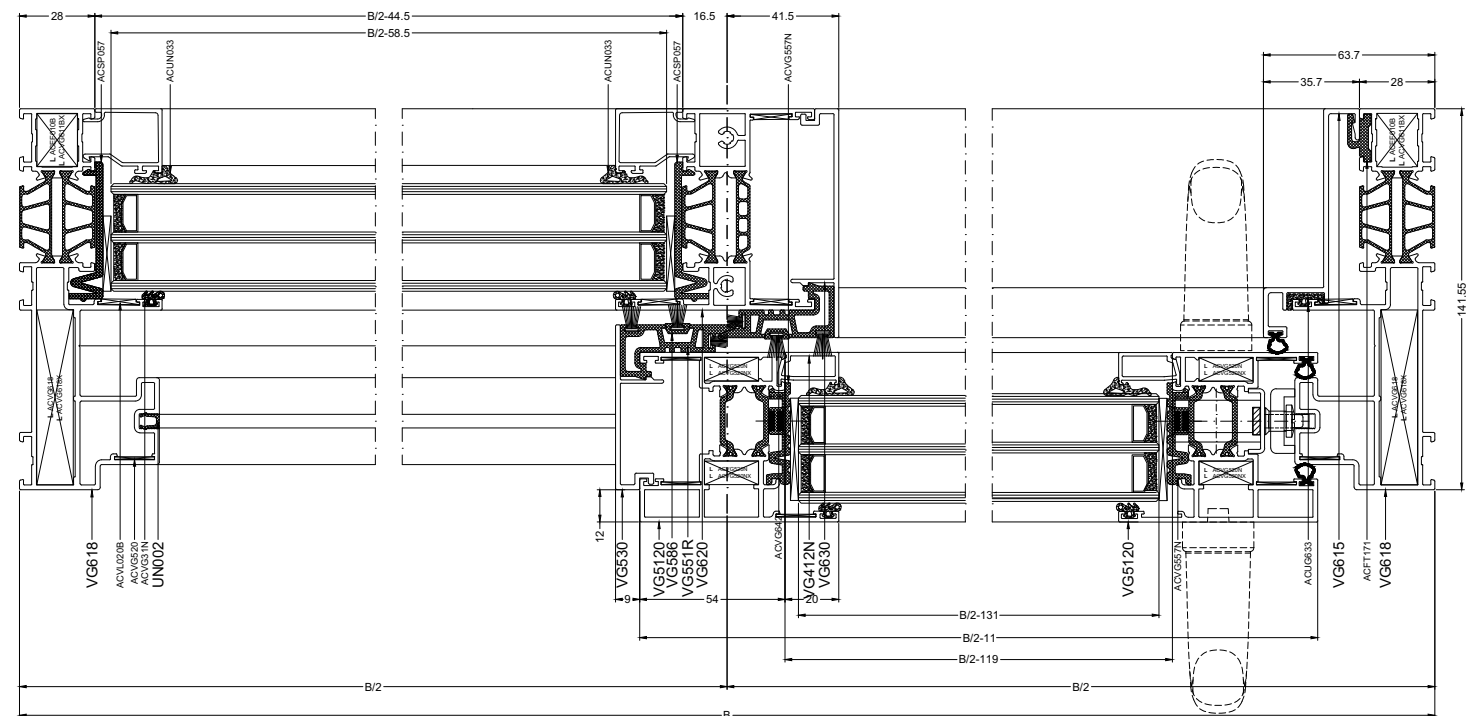
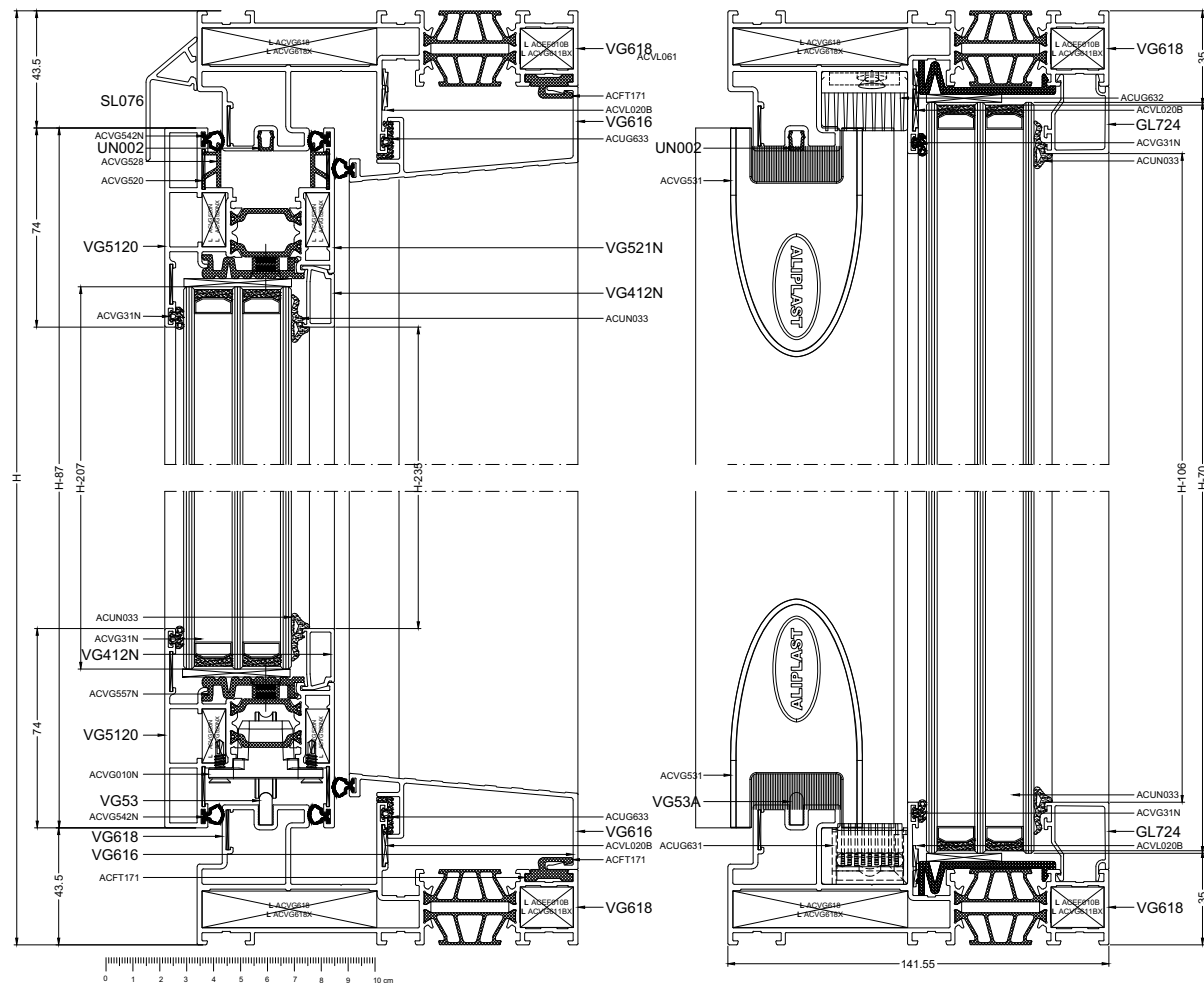
| | | | |
|-------|--|---|----------|
| VG4XX | | 2 | B/2-119 |
| | | 2 | H-235 |
| GL7XX | | 2 | B/2-44.5 |
| | | 2 | H-106 |

| | | | |
|---------|--|---|-------|
| VG53(A) | | 1 | B-94 |
| VG52 | | 1 | B-104 |
| UN002 | | 2 | H-104 |

OPTIONEEL / EN OPTION / FAKULTATIV / OPTIONAL

| | | | |
|---------|---|---|---------|
| SL076 | f | 1 | B |
| ACVL061 | | | B/300+2 |
| VG586 | | 2 | H-87 |
| ACVG642 | | | 2H-150 |

OVERZICHT HANDGREPEN, ZIE SZ CATALOGUS
APERCU POIGNEES, VOIR LE CATALOGUE SZ
OVERVIEW HANDLES, SEE SZ CATALOGUE
UEBERSICHT HANDGRIF, SIEHE SZ KATALOG



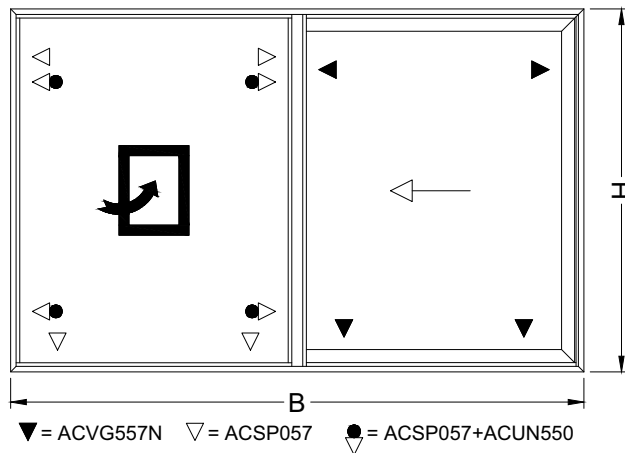
VG618-1RAIL-2F-1O (VG5120)

aliplast
member of



VG500

VG619-1RAIL-1F-20



| PROFIELEN / PROFILES / PROFILS / PROFILS | | | |
|--|--|---|--------|
| VG619 | | 2 | B |
| | | 2 | H |
| VG520N | | 2 | B/2-11 |
| | | 2 | H-87 |
| VG620 | | 1 | H-87 |
| VG530 | | 1 | H-87 |
| VG630 | | 1 | H-56 |
| VG551R | | 2 | H-87 |

OF / OU / ODER / OR

| | | | |
|--------|--|---|----------|
| VG615 | | 1 | H-112.6 |
| VG616 | | 2 | B/2-69.5 |
| VG615 | | 1 | H-106 |
| VG2616 | | 2 | B/2-69.5 |

| | | | |
|-------|--|---|----------|
| VG4XX | | 2 | B/2-119 |
| | | 2 | H-235 |
| GL7XX | | 2 | B/2-44.5 |
| | | 2 | H-106 |

| | | | |
|---------|--|---|------|
| VG53(A) | | 1 | B-94 |
|---------|--|---|------|

| | | | |
|-------|--|---|-------|
| VG52 | | 1 | B-104 |
| UN002 | | 2 | H-104 |

VERSTEVIGINGSPROFIEL / PROFIL DE RENFORCEMENT VERSTAERKUNGSPROFIL / REINFORCEMENT PROFILE

| | | | | |
|--------|--|---|---|------|
| UN500 | | 1 | 2 | H-91 |
| UN510 | | 1 | 2 | H-91 |
| UTL080 | | 1 | 2 | H-91 |

| | | | |
|---------|--|---|---|
| ACUN500 | | 1 | 2 |
|---------|--|---|---|

OPTIONEEL / EN OPTION / FAKULTATIV / OPTIONAL

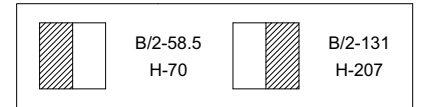
| | | | |
|---------|--|--------|------|
| VG586 | | 2 | H-87 |
| ACVG642 | | 2H-150 | |

TOEBEHOREN / ACCESSOIRES ZUBEHÖRTEILE / ACCESSORIES

| | | | | |
|------------|--|--------------------|--------------------|----|
| ACEF010B | | 4 | ACMX853 ACUN161 | 8 |
| ACVG611BX | | 4 | ACMX853 ACUN161 | 8 |
| ACVG618 | | 4 | ACMX853 ACUN161 | 8 |
| ACVG618X | | 4 | ACMX853 ACUN161 | 8 |
| ACVG520N | | 8 | ACMX854 ACUN160 | 16 |
| ACVG520NX | | 8 | ACMX854 ACUN160 | 16 |
| ACVG520 | | 16 | | |
| ACVL020(B) | | 4 | | |
| ACVL029 | | 6 | | |
| ACSP057 | | 8 | | |
| ACVG557N | | 4 | | |
| ACUN550 | | 4 | | |
| ACFT171 | | (H+B-200)/300 | | |
| ACUG631 | | 1 | | |
| ACUG632 | | 1 | | |
| ACVG45 | | MAX 800 mm (B) | | |
| ACVSL045 | | MAX 800 mm (B) | | |
| ACUN045 | | MAX 800 mm (B) | | |
| ACVG534 | | MAX 800 mm (1x FB) | | |
| ACVG528 | | 6 | | |
| ACVG531 | | 2 | | |
| ACUN348 | | 1 | | |
| ACVG620 | | 2 | | |

| | | |
|----|--|--------|
| FB | VLEUGELBREEDTE LARGEUR VANTAIL BREITE FLÜGEL WIDTH SASH | B/2-11 |
| FH | VLEUGELHOOGTE HAUTEUR D'OUVRANT FLÜGEL HOHE VENT HEIGHT | H-87 |

GLASMATEN / DIMENSIONS DES VITRAGES / GLASSMASSE / GLASS SIZE



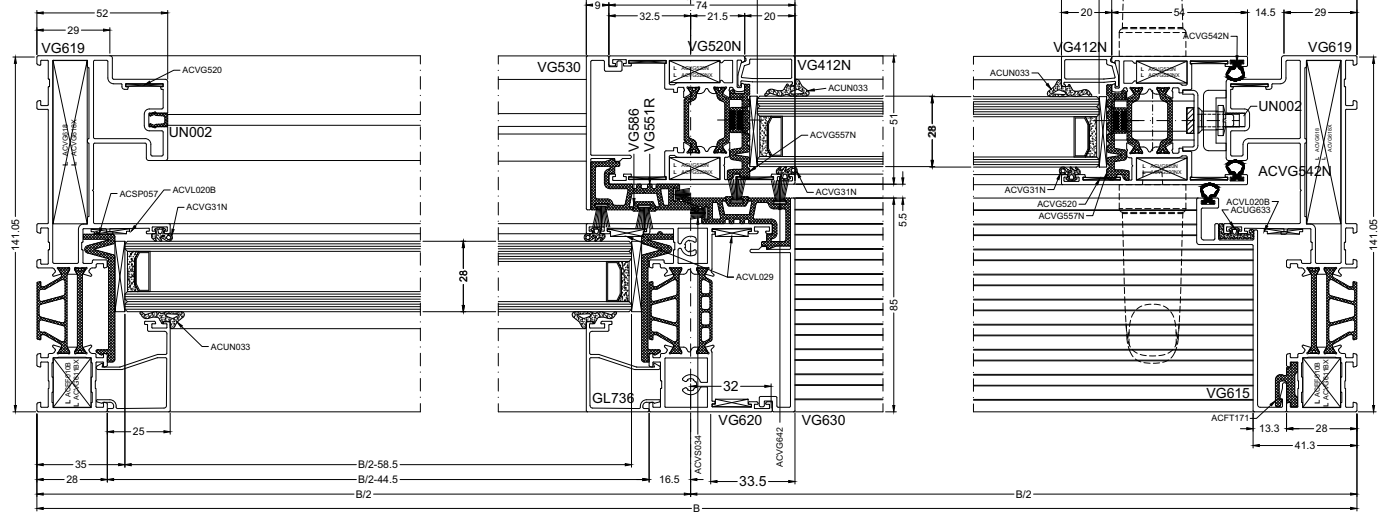
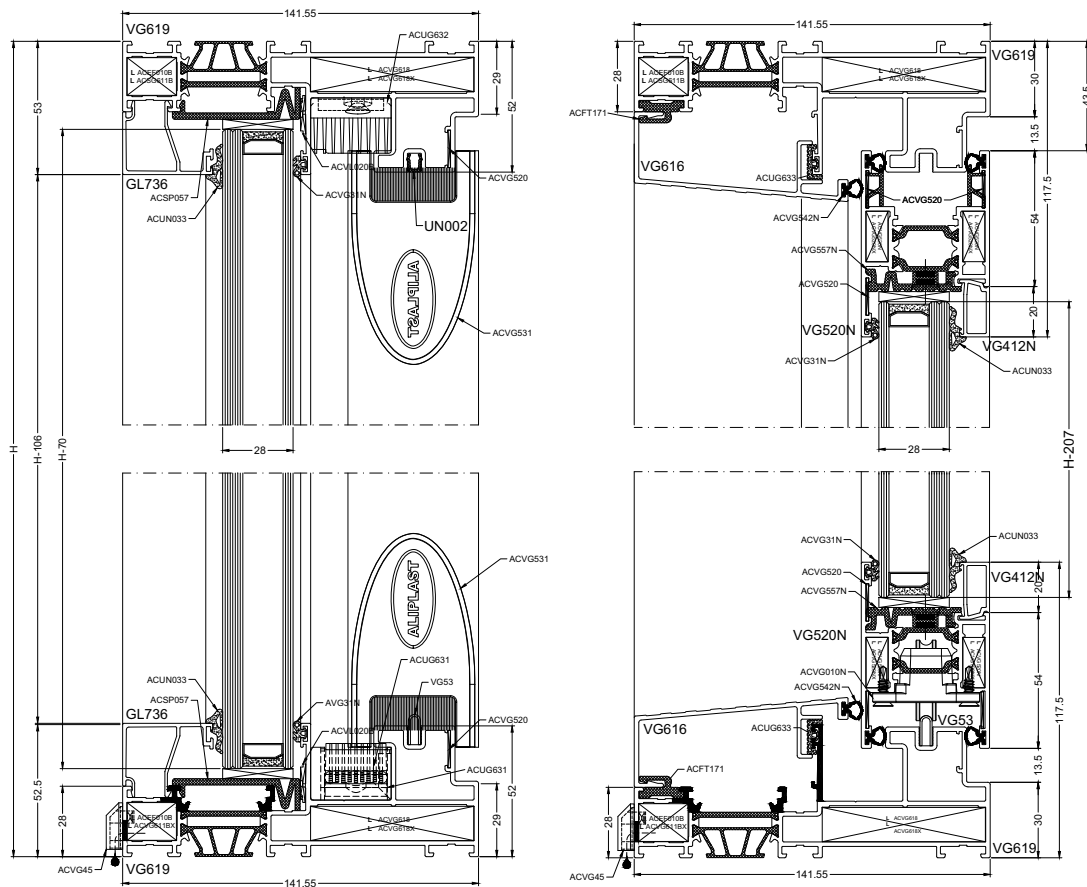
MAXIMAAL VLEUGELGEWICHT POIDS MAXIMUM PAR VANTAIL MAXIMAL FLÜGELGEWICHT MAX. WEIGHT OF THE VENT

| | | | |
|----------|--|---|--------|
| ACVG010N | | 2 | 250 KG |
| ACVG110N | | 2 | 200 KG |

| | | |
|--------------------|--|-----------|
| ACVG542N | | 5H+3B-150 |
| ACVG642 | | H+B-150 |
| ACUG633 | | H+B-150 |
| ACVG31N | | 4H+2B-900 |
| ACUN036 (4 - 5 mm) | | 4H-300 |
| ACUN036 (6 - 8 mm) | | 4H+2B-900 |

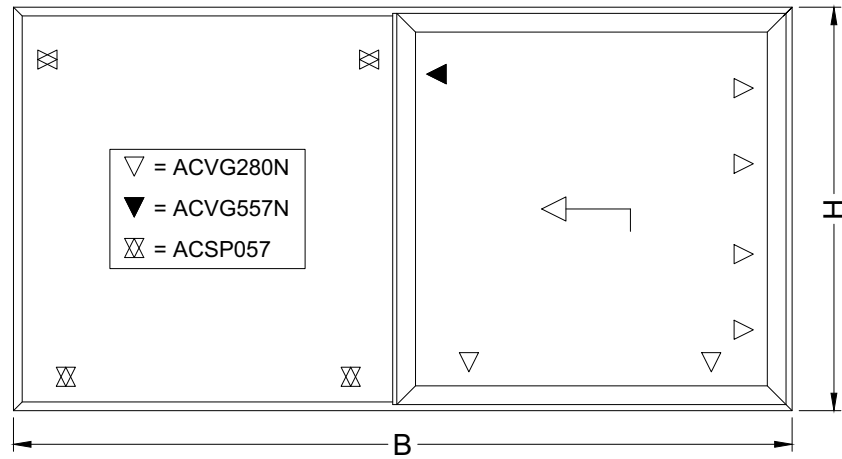
OVERZICHT / APERCU / OVERVIEW / ÜBERSICHT

ZIE SZ CATALOGUS / VOIR LE CATALOGUE SZ / SEE SZ CATALOG / SIEHE SZ KATALOG



VG500

VG618-1RAIL-2F-10(LS)



| | | |
|----|--|-------|
| FB | VLEUGELBREEDTE LARGEUR VANTAIL BREITE FLUGEL WIDTH SASH | B/2-3 |
| FH | VLEUGELHOOGTE HAUTEUR D'OUVRANT FLUGEL HOHE VENT HEIGHT | H-87 |

OVERZICHT HANDGREPEN, ZIE SZ CATALOGUS
APERCU POIGNEES, VOIR LE CATALOGUE SZ
OVERVIEW HANDLES, SEE SZ CATALOG
UEBERSICHT HANDGRIFF, SIEHE SZ KATALOG

OF / OU / ODER / OR

PROFIELEN / PROFILES / PROFILS / PROFILS

| | | | |
|--------|--|---|-------|
| VG618 | | 2 | B |
| VG521N | | 2 | B/2-3 |
| VG621 | | 1 | H-56 |
| VG530 | | 1 | H-87 |
| VG630 | | 1 | H-56 |
| VG553N | | 2 | H-87 |
| UG852 | | 2 | H-87 |

| | | | |
|--------|--|---|----------|
| VG615 | | 1 | H-112.6 |
| VG616 | | 2 | B/2-77.5 |
| VG615 | | 1 | H-106 |
| VG2616 | | 2 | B/2-77.5 |

| | | | |
|-------|--|---|----------|
| VG4XX | | 2 | B/2-143 |
| | | 2 | H-267 |
| GL7XX | | 2 | B/2-52.5 |
| | | 2 | H-106 |

| | | | |
|---------|--|---|-------|
| VG53(A) | | 1 | B-94 |
| VG52 | | 1 | B-104 |
| UN002 | | 2 | H-104 |

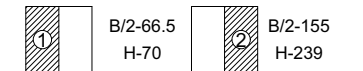
OPTIONEEL / EN OPTION / FAKULTATIV / OPTIONAL

| | | | |
|---------|--|---------|-----|
| UN075 | | 1 | B-9 |
| ACUN075 | | 1 | |
| ACVL061 | | B/300+2 | |

TOEBEHOREN / ACCESSOIRES ZUBEHOERTEILE / ACCESSORIES

| | | |
|---------------|---------------|--------------------|
| ACVG618 | 4 | |
| ACVG618X | 8 | ACMX853 ACUN161 |
| ACEF010B | 4 | |
| ACVG611BX | 4 | ACMX853 ACUN161 |
| ACVG521N | 8 | |
| ACVG521NX | 16 | ACMX854 ACUN160 |
| ACVL020(B) | 4 | |
| ACVG520 | 16 | |
| ACVL029 | 6 | |
| ACVG557N | 1 | |
| ACSP057 | 4 | |
| ACFT171 | (H+B-200)/300 | |
| ACVG528 | 6 | |
| ACUG631 | 1 | |
| ACUG632 | 1 | |
| ACGSL057 | 2 | |
| ACUN348 | 1 | |
| ACVG45 | | MAX 800 mm (B) |
| ACGSL045 | | MAX 800 mm (B) |
| ACUN045 | | MAX 800 mm (1x FB) |
| ACVG534 | 2 | |
| ACVG531 | 1 | |
| ACVG280N | 1 | |
| ACVG269...273 | FB-586 | |

GLASMATEN / DIMENSIONS DES VITRAGES / GLASMASSE / GLASS SIZE



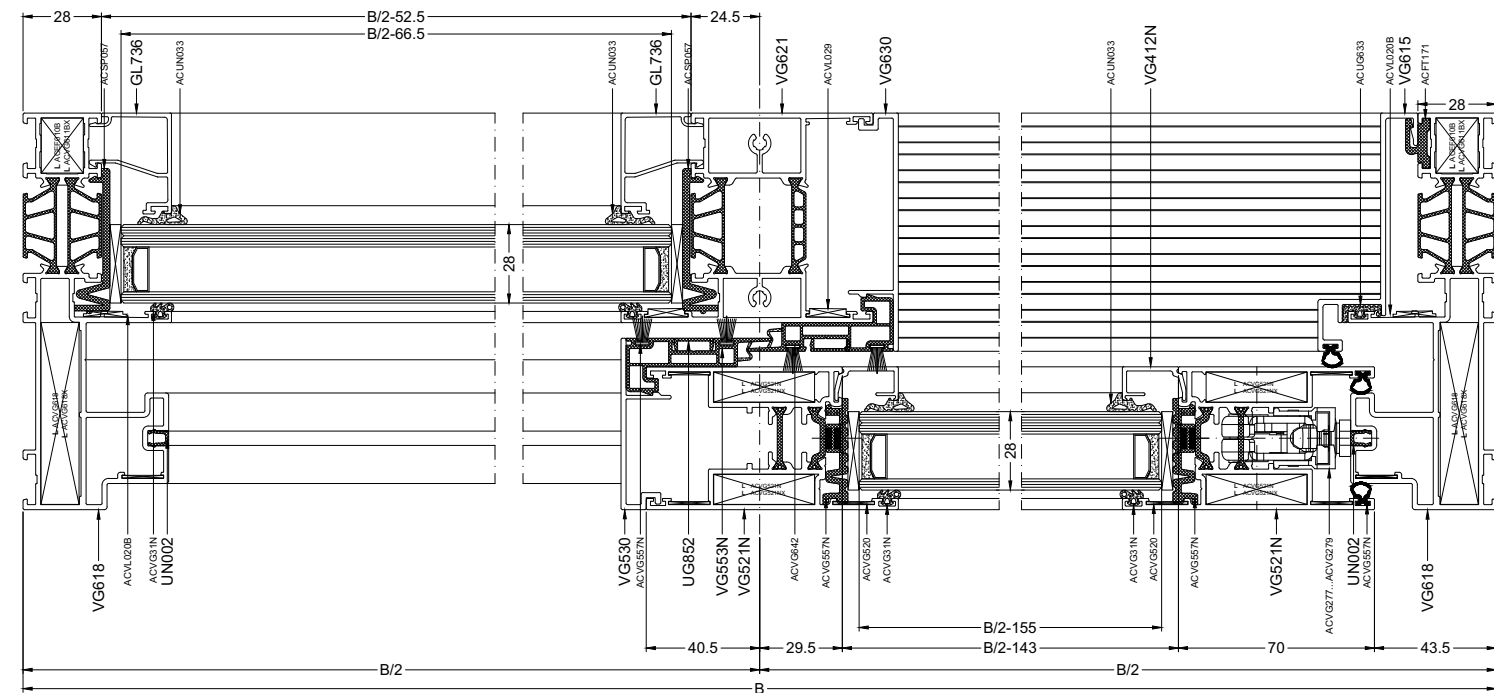
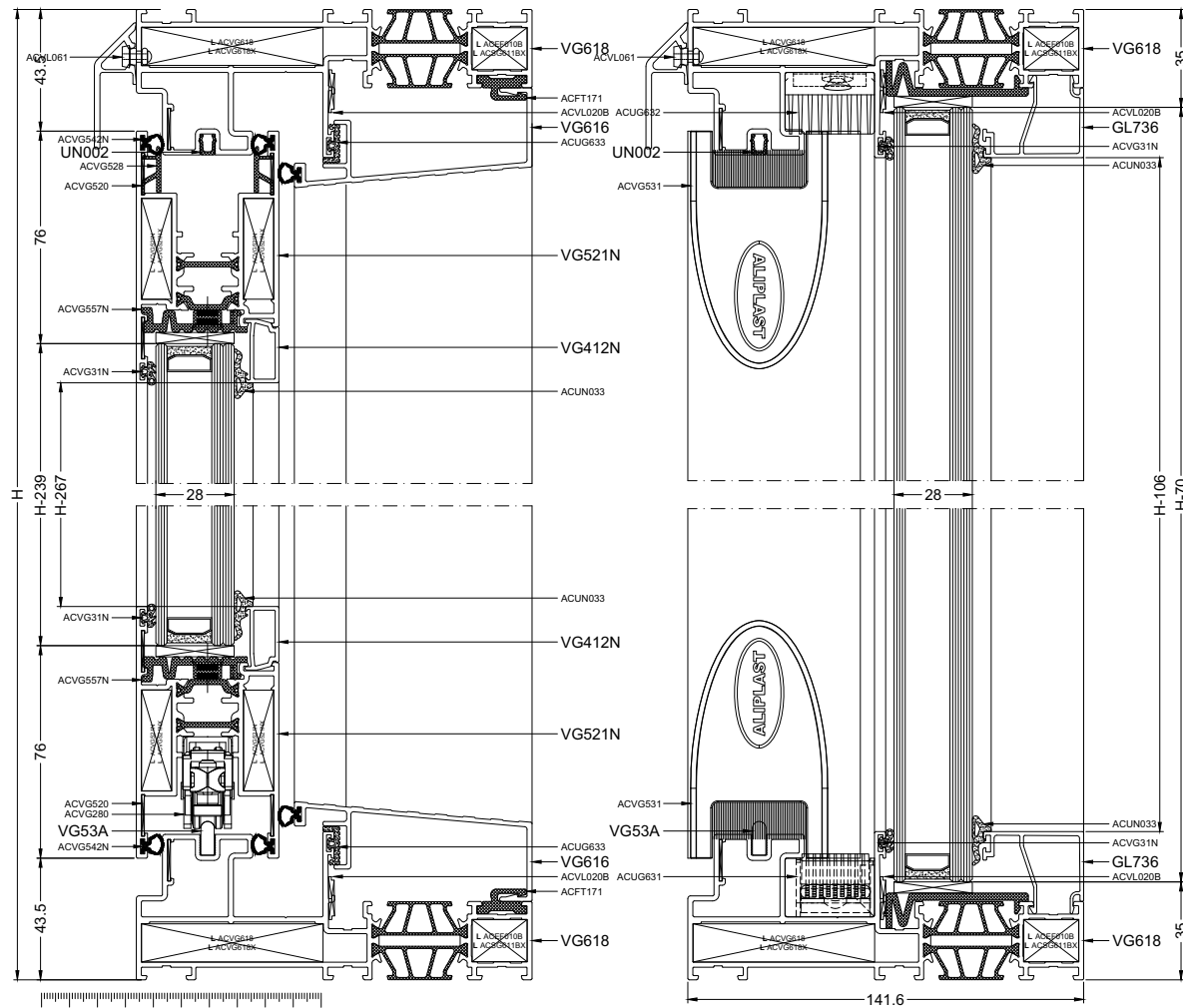
| | |
|------------------|------------------------------|
| ACVG542N | 3H+3B-300 |
| ACUG642 | H+B-200 |
| ACUG633 | H+B-200 |
| ACVG31N | (1) 2H+B-200 (2) 2H+B-700 |
| ACUN033 (3-5 mm) | (1) 2H+B-200 |
| ACUN036 (6-8 mm) | (2) 2H+B-700 |
| ACVG642 | 4H-100 |

MAXIMAAL VLEUGELGEWICHT
POIDS MAXIMUM PAR VANTAIL
MAXIMAL FLUGELGEWICHT
MAX. WEIGHT OF THE VENT

200 KG

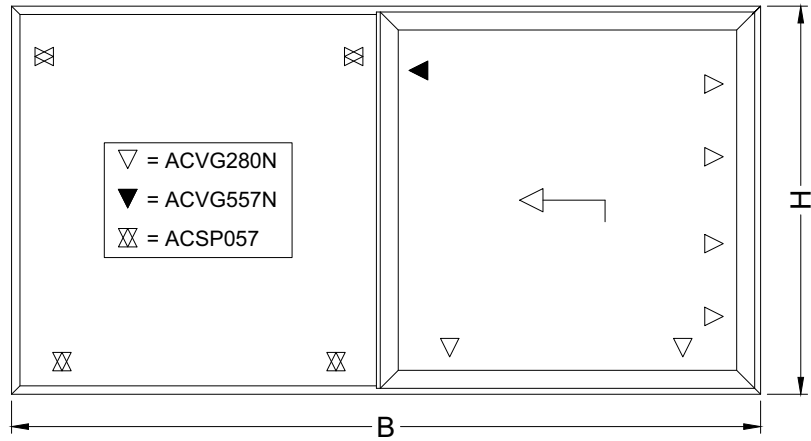
| | | |
|------------------------|---------|---|
| 702 mm < FB < 1278 mm | ACVG269 | 1 |
| 1206 mm < FB < 1782 mm | ACVG270 | |
| 1710 mm < FB < 2286 mm | ACVG271 | |
| 2214 mm < FB < 2790 mm | ACVG272 | |
| 2718 mm < FB < 3294 mm | ACVG273 | |

| | | |
|------------------------|---------|---|
| 1718 mm < FH < 2218 mm | ACVG277 | 1 |
| 2118 mm < FH < 2618 mm | ACVG278 | |
| 2418 mm < FH < ... | ACVG279 | |



VG618-1RAIL-2F-10(LS)

VG618-1RAIL-2F-10(LS) (VG5121)



| | | |
|-----------|--|--------------|
| FB | VLEUGELBREEDTE LARGEUR VANTAIL BREITE FLUGEL WIDTH SASH | B/2-3 |
| FH | VLEUGELHOOGTE HAUTEUR D'OUVRANT FLUGEL HOHE VENT HEIGHT | H-87 |

OVERZICHT HANDGREPEN, ZIE SZ CATALOGUS
APERCU POIGNEES, VOIR LE CATALOGUE SZ
OVERVIEW HANDLES, SEE SZ CATALOG
UEBERSICHT HANDGRIF, SIEHE SZ KATALOG

OF / OU / ODER / OR

PROFIELN / PROFILES / PROFILS / PROFILS

| | | | | |
|----------|--|---|--|-------|
| VG618 | | 2 | | B |
| ACVG618X | | 2 | | H |
| VG5121 | | 2 | | B/2-3 |
| VG621 | | 2 | | H-87 |
| VG530 | | 1 | | H-56 |
| VG630 | | 1 | | H-87 |
| VG553N | | 1 | | H-56 |
| UG852 | | 2 | | H-87 |

| | | | | |
|--------|--|---|--|----------|
| VG615 | | 1 | | H-112.6 |
| VG616 | | 2 | | B/2-77.5 |
| VG615 | | 1 | | H-106 |
| VG2616 | | 2 | | B/2-77.5 |

| | | | | |
|-------|--|---|--|----------|
| VG4XX | | 2 | | B/2-143 |
| | | 2 | | H-267 |
| GL7XX | | 2 | | B/2-52.5 |
| | | 2 | | H-106 |

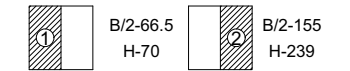
| | | | | |
|---------|--|---|--|------|
| VG53(A) | | 1 | | B-94 |
|---------|--|---|--|------|

| | | | | |
|-------|--|---|--|-------|
| VG52 | | 1 | | B-104 |
| UN002 | | 2 | | H-104 |

TOEBEHOREN / ACCESSOIRES ZUBEHÖRTEILE / ACCESSORIES

| | | | |
|---------------|---------------|---------|----|
| ACVG618 | 4 | ACMX853 | 8 |
| ACVG618X | 4 | ACUN161 | 8 |
| ACEF010B | 4 | ACMX853 | 8 |
| ACVG611BX | 4 | ACUN161 | 8 |
| ACVG521N | 8 | ACMX854 | 16 |
| ACVG521NX | 8 | ACUN160 | 16 |
| ACVL020(B) | 4 | | |
| ACVG520 | 16 | | |
| ACVL029 | 6 | | |
| ACVG557N | 1 | | |
| ACSP057 | 4 | | |
| ACFT171 | (H+B-200)/300 | | |
| ACVG528 | 6 | | |
| ACUG631 | 1 | | |
| ACUG632 | 1 | | |
| ACGSL057 | 2 | | |
| ACUN348 | 1 | | |
| ACVG45 | 2 | | |
| ACVG531 | 2 | | |
| ACVG280N | 1 | | |
| ACVG269...273 | FB-586 | | |

GLASMATEN / DIMENSIONS DES VITRAGES / GLASSMASSE / GLASS SIZE



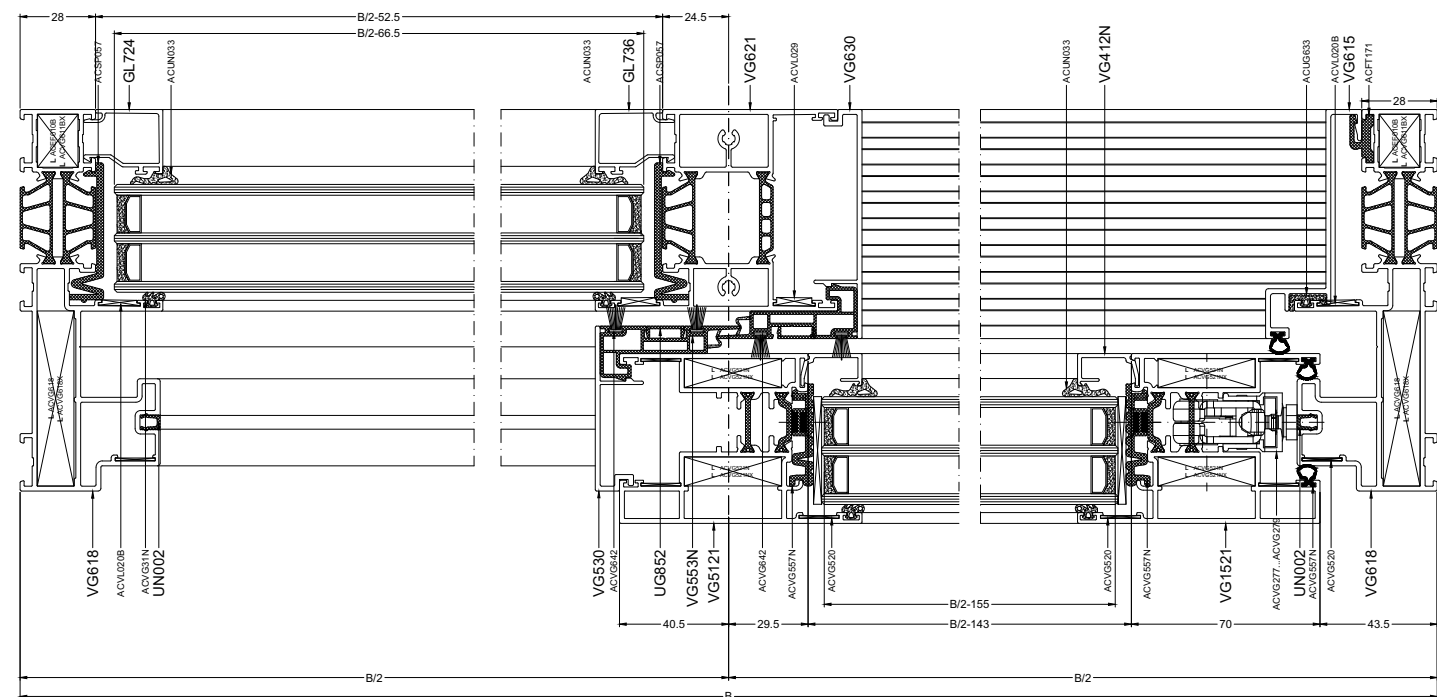
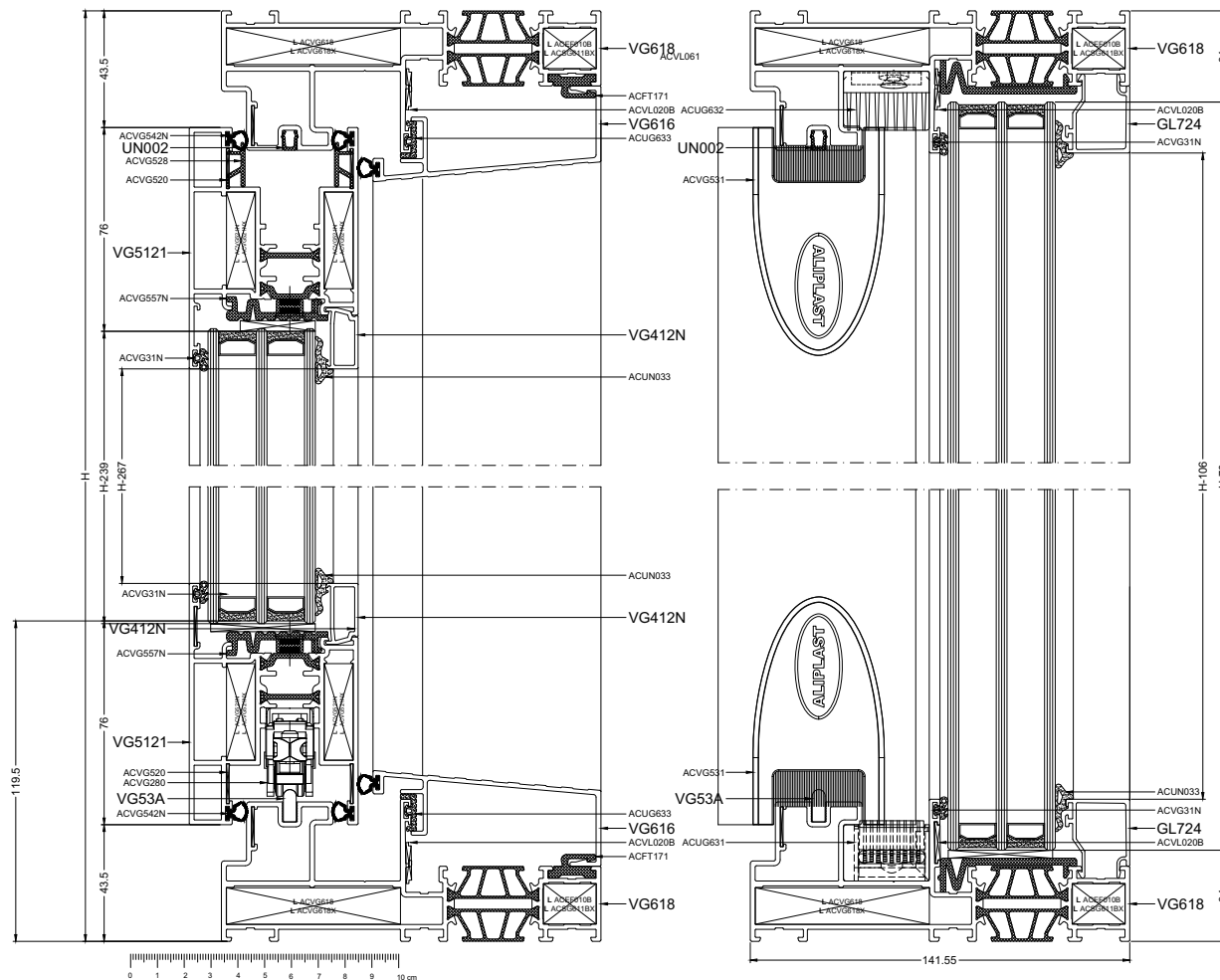
| | |
|------------------|------------------------------|
| ACVG542N | 3H+3B-300 |
| ACUG642 | 3H+3B-300 |
| ACUG633 | H+B-200 |
| ACVG31N | (1) 2H+B-200 (2) 2H+B-200 |
| ACUN033 (3-5 mm) | (1) 2H+B-200 |
| ACUN036 (6-8 mm) | (2) 2H+B-200 |
| ACVG642 | 4H-100 |

MAXIMAAL VLEUGELGEWICHT
POIDS MAXIMUM PAR VANTAIL
MAXIMAL FLUGELGEWICHT
MAX. WEIGHT OF THE VENT

200 KG

| | | |
|------------------------|---------|---|
| 702 mm < FB < 1278 mm | ACVG269 | 1 |
| 1206 mm < FB < 1782 mm | ACVG270 | |
| 1710 mm < FB < 2286 mm | ACVG271 | |
| 2214 mm < FB < 2790 mm | ACVG272 | |
| 2718 mm < FB < 3294 mm | ACVG273 | |

| | | |
|------------------------|---------|---|
| 1718 mm < FH < 2218 mm | ACVG277 | 1 |
| 2118 mm < FH < 2618 mm | ACVG278 | |
| 2418 mm < FH < ... | ACVG279 | |



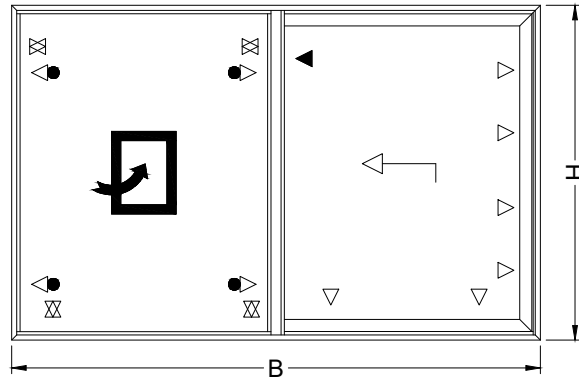
VG618-1RAIL-2F-10(LS) (VG5121)

aliplast
member of



VG500

VG619-1RAIL-1F-20(LS)



- ▽ = ACVG280N
- ▼ = ACVG557N
- ⊗ = ACSP057
- = ACSP057+ACUN550

PROFIELN / PROFILES / PROFILES / PROFILS

| | | | | |
|--------|--|---|--|-------|
| VG619 | | 2 | | B |
| VG521N | | 2 | | H |
| VG621 | | 2 | | B/2-3 |
| VG530 | | 1 | | H-87 |
| VG630 | | 1 | | H-56 |
| VG553N | | 1 | | H-87 |
| UG852 | | 2 | | H-87 |

OF / OU / ODER / OR

| | | | | |
|-------|--|---|--|----------|
| VG615 | | 1 | | H-112.6 |
| VG616 | | 2 | | B/2-77.5 |

| | | | | |
|-------|--|---|--|----------|
| VG4XX | | 2 | | B/2-143 |
| GL7XX | | 2 | | H-267 |
| GL7XX | | 2 | | B/2-52.5 |
| GL7XX | | 2 | | H-106 |

| | | | | |
|---------|--|---|--|------|
| VG53(A) | | 1 | | B-94 |
|---------|--|---|--|------|

| | | | | |
|-------|--|---|--|-------|
| VG52 | | 1 | | B-104 |
| UN002 | | 2 | | H-104 |

VERSTERKINGSPROFIEL / PROFIL DE RENFORCEMENT
VERSTAERKUNGSPROFIL / REINFORCEMENT PROFILE

| | | | | | |
|--------|--|---|---|--|------|
| UN500 | | 1 | 2 | | H-91 |
| UN510 | | 1 | 2 | | H-91 |
| UTL080 | | 1 | 2 | | H-91 |

| | | | | |
|---------|--|---|---|--|
| ACUN500 | | 1 | 2 | |
|---------|--|---|---|--|

TOEBEHOREN / ACCESSOIRES
ZUBEHOORTEILE / ACCESSORIES

| | | | |
|---------------|-----------------------|--------------------|----|
| ACVG618 | 4 | ACMX853 ACUN161 | 8 |
| ACVG618X | 4 | | |
| ACEF010B | 4 | ACMX853 ACUN161 | 8 |
| ACVG611BX | 4 | | |
| ACVG521N | 8 | ACMX854 ACUN160 | 16 |
| ACVG521NX | 8 | | |
| ACVG520 | 16 | | |
| ACVL020(B) | 4 | | |
| ACVL029 | 6 | | |
| ACSP057 | 4 | | |
| ACVG557N | 1 | | |
| ACVG280N | 1 | | |
| ACUN550 | 4 | | |
| ACFT171 | (H+B-200)/300 | | |
| ACUG631 | 1 | | |
| ACUG632 | 1 | | |
| ACVG45 | MAX 800 mm (B) | | |
| ACGSL045 | | | |
| ACUN045 | | | |
| ACVG534 | MAX 800 mm (1x FB) | | |
| ACVG528 | 6 | | |
| ACVG531 | 2 | | |
| ACUN348 | 1 | | |
| ACVG620 | 2 | | |
| ACVG269...273 | FB-586 | | |

| | | |
|----|--|-------|
| FB | VLEUGELBREEDTE LARGEUR VANTAIL BREITE FLÜGEL WIDTH SASH | B/2-3 |
| FH | VLEUGELHOOGTE HAUTEUR D'OUVRANT FLÜGEL HOHE VENT HEIGHT | H-87 |

GLASMATEN / DIMENSIONS DES
VITRAGES / GLASSMASS / GLASS SIZE

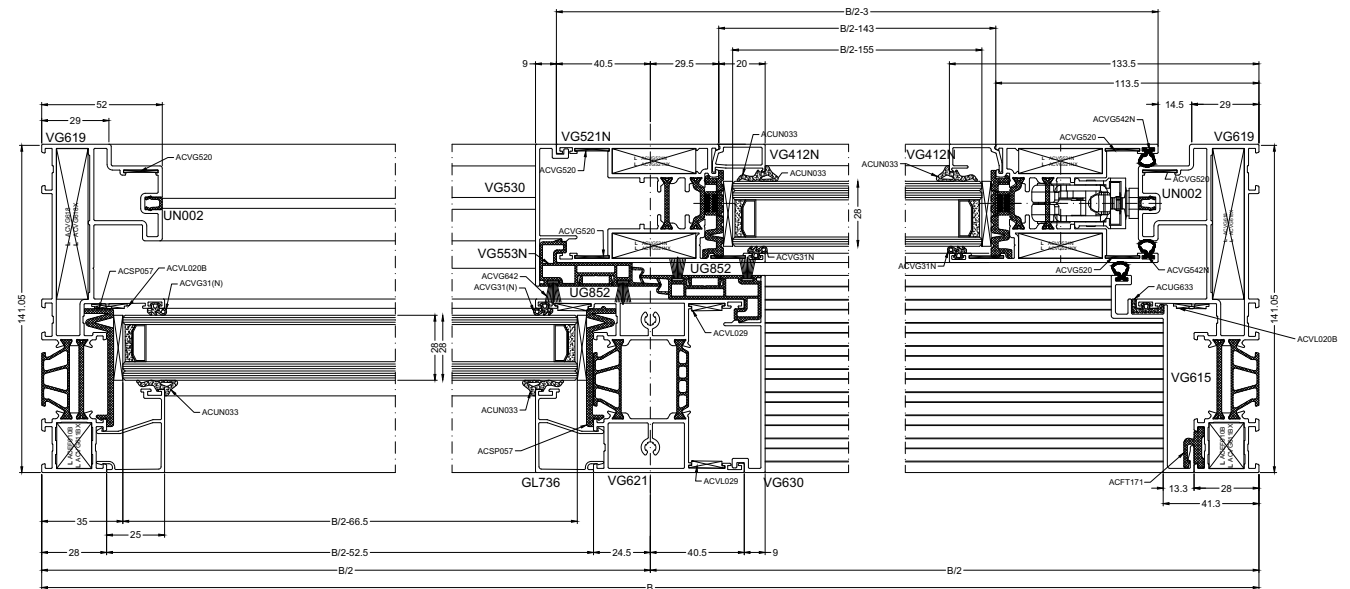
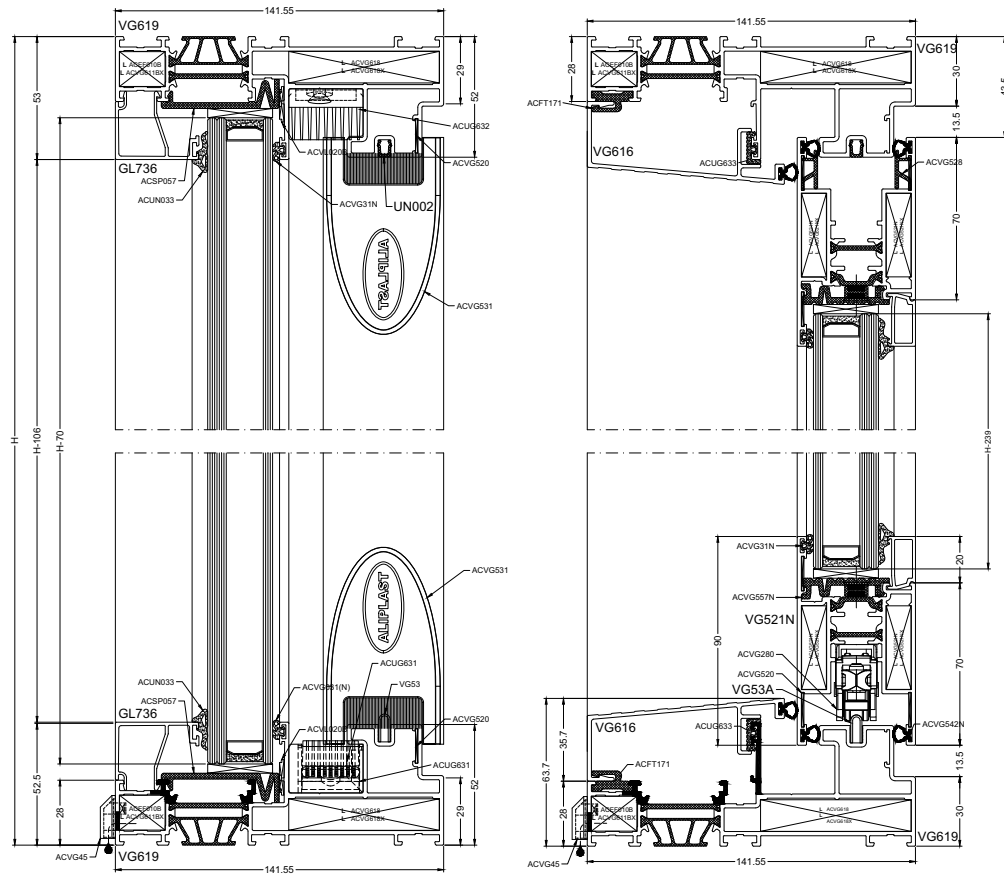
| | | | |
|--|----------|--|---------|
| | B/2-66.5 | | B/2-155 |
| | H-70 | | H-239 |

OVERZICHT HANDGREPEN, ZIE SZ CATALOGUS
APERCU POIGNEES, VOIR LE CATALOGUE SZ
OVERVIEW HANDLES, SEE SZ CATALOG
UEBERSICHT HANDGRIFF, SIEHE SZ KATALOG

| | | |
|------------------------|---------|---|
| 702 mm < FB < 1278 mm | ACVG269 | 1 |
| 1206 mm < FB < 1782 mm | ACVG270 | |
| 1710 mm < FB < 2286 mm | ACVG271 | |
| 2214 mm < FB < 2790 mm | ACVG272 | |
| 2718 mm < FB < 3294 mm | ACVG273 | |

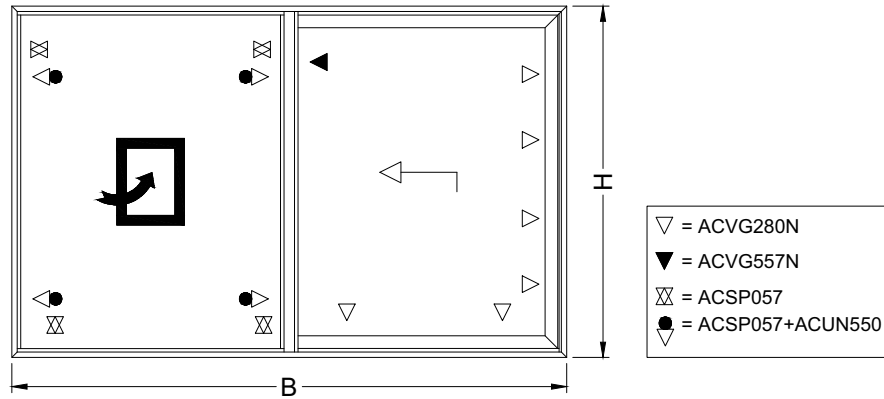
| | | |
|------------------------|---------|---|
| 1718 mm < FH < 2218 mm | ACVG277 | 1 |
| 2118 mm < FH < 2618 mm | ACVG278 | |
| 2418 mm < FH < ... | ACVG279 | |

MAXIMAAL VLEUGELGEWICHT
POIDS MAXIMUM PAR VANTAIL
MAXIMAL FLÜGELGEWICHT
MAX. WEIGHT OF THE VENT **200 KG**



VG619-1RAIL-1F-20(LS)

VG619-1RAIL-1F-20(LS) (VG5221)



PROFIELEN / PROFILES / PROFILS / PROFILS

| | | | | |
|--------|--|---|--|-------|
| VG619 | | 2 | | B |
| | | 2 | | H |
| VG5221 | | 2 | | B/2-3 |
| | | 2 | | H-87 |
| VG621 | | 1 | | H-56 |
| VG530 | | 1 | | H-87 |
| VG630 | | 1 | | H-56 |
| VG553N | | 2 | | H-87 |
| UG852 | | 2 | | H-87 |

OF / OU / ODER / OR

| | | | | |
|-------|--|---|--|----------|
| VG615 | | 1 | | H-112.6 |
| VG616 | | 2 | | B/2-77.5 |

| | | | | |
|--------|--|---|--|----------|
| VG615 | | 1 | | H-106 |
| VG2616 | | 2 | | B/2-77.5 |

| | | | | |
|-------|--|---|--|----------|
| VG4XX | | 2 | | B/2-143 |
| | | 2 | | H-267 |
| GL7XX | | 2 | | B/2-52.5 |
| | | 2 | | H-106 |

| | | | | |
|---------|--|---|--|------|
| VG53(A) | | 1 | | B-94 |
|---------|--|---|--|------|

| | | | | |
|-------|--|---|--|-------|
| VG52 | | 1 | | B-104 |
| UN002 | | 2 | | H-104 |

VERSTEVIGINGSPROFIEL / PROFIL DE RENFORCEMENT VERSTAERKUNGSPROFIL / REINFORCEMENT PROFILE

| | | | | | |
|--------|--|---|---|--|------|
| UN500 | | 1 | 2 | | H-91 |
| UN510 | | 1 | 2 | | H-91 |
| UTL080 | | 1 | 2 | | H-91 |

| | | | | |
|---------|--|---|---|--|
| ACUN500 | | 1 | 2 | |
|---------|--|---|---|--|

TOEBEHOREN / ACCESSOIRES ZUBEHORTEILE / ACCESSORIES

| | | |
|---------------|---------------|-----------------------|
| ACVG618 | 4 | |
| ACVG618X | 4 | ACMX853 ACUN161 8 |
| ACEF010B | | |
| ACVG611BX | 4 | ACMX853 ACUN161 8 |
| ACVG521N | 8 | |
| ACVG521NX | 8 | ACMX854 ACUN160 16 |
| ACVG520 | 16 | |
| ACVL020(B) | 4 | |
| ACVL029 | 6 | |
| ACSP057 | 4 | |
| ACVG557N | 1 | |
| ACVG280N | 1 | |
| ACUN550 | 4 | |
| ACFT171 | (H+B-200)/300 | |
| ACUG631 | 1 | |
| ACUG632 | 1 | |
| ACVG45 | | MAX 800 mm |
| ACVG534 | | MAX 800 mm (14 FB) |
| ACVG528 | 6 | |
| ACVG531 | 2 | |
| ACUN348 | 1 | |
| ACVG620 | 2 | |
| ACVG269...273 | FB-586 | |

| | | |
|----|--|-------|
| FB | VLEUGELBREEDTE LARGEUR VANTAIL BREITE FLUGEL WIDTH SASH | B/2-3 |
| FH | VLEUGELHOOGTE HAUTEUR D'OUVRANT FLUGEL HOHE VENT HEIGHT | H-87 |

GLASMATEN / DIMENSIONS DES VITRAGES / GLASSMASSE / GLASS SIZE

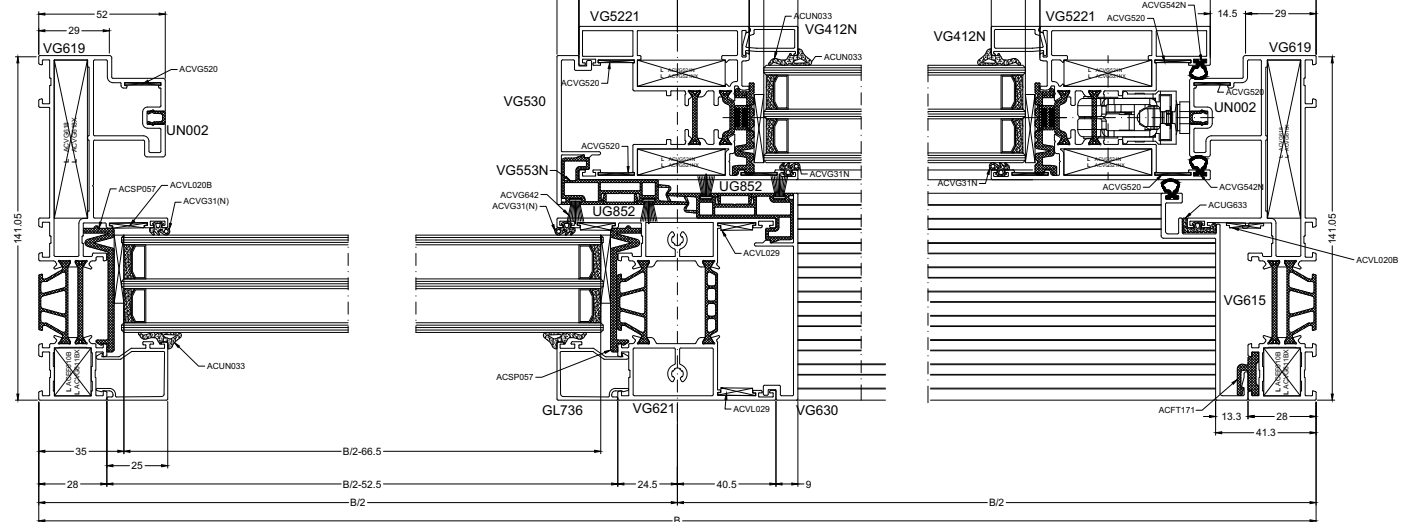
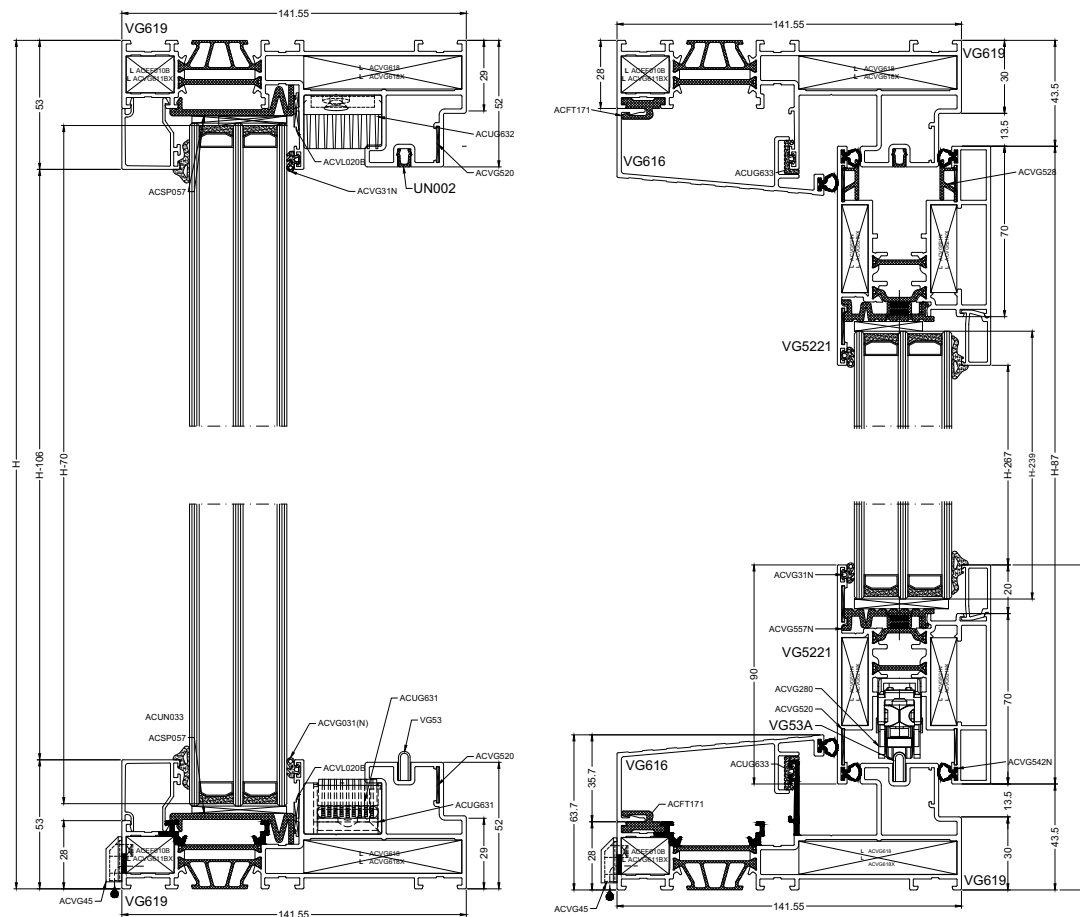
| | | | |
|--|----------|--|---------|
| | B/2-66.5 | | B/2-155 |
| | H-70 | | H-239 |

OVERZICHT HANDGREPEN, ZIE SZ CATALOGUS
APERCU POIGNEES, VOIR LE CATALOGUE SZ
OVERVIEW HANDLES, SEE SZ CATALOG
UEBERSICHT HANDGRIFF, SIEHE SZ KATALOG

| | | |
|------------------------|---------|---|
| 702 mm < FB < 1278 mm | ACVG269 | |
| 1206 mm < FB < 1782 mm | ACVG270 | |
| 1710 mm < FB < 2286 mm | ACVG271 | 1 |
| 2214 mm < FB < 2790 mm | ACVG272 | |
| 2718 mm < FB < 3294 mm | ACVG273 | |

| | | |
|------------------------|---------|---|
| 1718 mm < FH < 2218 mm | ACVG277 | |
| 2118 mm < FH < 2618 mm | ACVG278 | 1 |
| 2418 mm < FH < ... | ACVG279 | |

MAXIMAAL VLEUGELGEWICHT
POIDS MAXIMUM PAR VANTAIL
MAXIMAL FLUGELGEWICHT
MAX. WEIGHT OF THE VENT **200 KG**

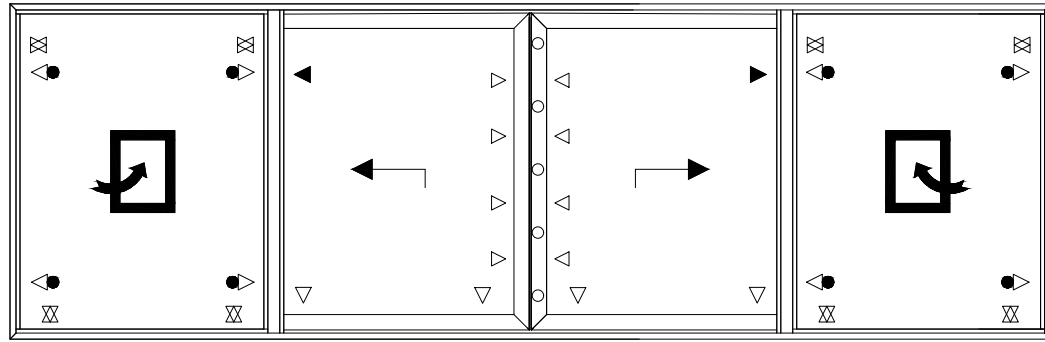


VG619-1RAIL-1F-20(LS) (VG5221)

aliplast
member of

CORIALIS

VG619-1RAIL-2F-10(LS)-10(LS)-2F



● = ACSP057+ACUN550 ▽ = ACVG280N ○ = ACVG240 ▼ = ACVG557N ⊗ = ACSP057

VERSTEVIGINGSPROFIEL / PROFIL DE RENFORCEMENT
VERSTÄRKUNGSPROFIL / REINFORCEMENT PROFILE

| | | | |
|--------|---|---|-------|
| UN500 | 1 | 2 | H-142 |
| UN510 | 1 | 2 | H-142 |
| UTL080 | 1 | 2 | H-142 |

| | | |
|---------|---|---|
| ACUN500 | 1 | 2 |
|---------|---|---|

| | | |
|----|--|----------|
| FB | VLEUGELBREEDTE LARGEUR VANTAIL BREITE FLUGEL WIDTH SASH | B/4+36.5 |
| FH | VLEUGELHOOGTE HAUTEUR D'OUVRANT FLUGEL HOHE VENT HEIGHT | H-87 |

OVERZICHT HANDGREPEN, ZIE SZ CATALOGUS
APERÇU POIGNÉES, VOIR LE CATALOGUE SZ
OVERVIEW HANDLES, SEE SZ CATALOG
UEBERSICHT HANDGRIFF, SIEHE SZ KATALOG

MAXIMAAL VLEUGELGEWICHT
POIDS MAXIMUM PAR VANTAIL
MAXIMAL FLUGELGEWICHT
MAX. WEIGHT OF THE VENT **200 KG**

PROFIELEN / PROFILS / PROFILS / PROFILS

| | | |
|------------|---|----------------------|
| VG619 | 2 | B |
| VG521N | 4 | H |
| VG621 | 4 | B/4+36.5 |
| VG530 | 2 | H-87 |
| VG630 | 2 | H-56 |
| VG533N | 4 | H-87 |
| UG852 | 4 | H-87 |
| VG542 | 1 | H-134.7 H-126 (*) |
| VG616 | 2 | B/2-99 |
| VG2616 (*) | 2 | B/2-99 |

| | | |
|-------|---|-----------|
| VG7XX | 4 | B/4-52.5 |
| VG4XX | 4 | H-106 |
| | 4 | B/4-103.5 |
| | 4 | H-267 |

| | | |
|---------|---|------|
| VG53(A) | 1 | B-94 |
|---------|---|------|

| | | |
|-------|---|-------|
| UN002 | 1 | B-104 |
| VG52 | 2 | H-104 |

OPTIONEEL / EN OPTION / FAKULTATIV / OPTIONAL

| | | |
|---------|---------|-----|
| UN075 | 1 | B-9 |
| ACUN075 | 1 | |
| ACVL061 | B/300+2 | |

TOEBEHOREN / ACCESSOIRES
ZUBEHÖRTEILE / ACCESSORIES

| | |
|---------------|---------------|
| ACVG618 | 4 |
| ACVG618X | 4 |
| ACEF010B | 4 |
| ACVG611BX | 4 |
| ACVG521N | 16 |
| ACVG521NX | 16 |
| ACVG520 | 28 |
| ACVL020(B) | 4 |
| ACVL029 | 12 |
| ACVG557N | 2 |
| ACSP057 | 16 |
| ACVG280N | 2 |
| ACVG240 | 1 |
| ACUN550 | 8 |
| ACUN348 | 2 |
| ACVG543 | 1 |
| ACVG45 | 1 |
| ACGSL045 | 1 |
| ACUN045 | 1 |
| ACVG534 | 1 |
| ACVG528 | 12 |
| ACVG531 | 4 |
| ACUG631 | 2 |
| ACUG632 | 2 |
| ACGSL057 | 4 |
| ACFT171 | (H+B-200)/300 |
| ACVG620 | 4 |
| ACVG269...273 | FB-586 |

| | |
|------------------|------------|
| ACVG542N | 3H+3B-200 |
| ACVG642 | B-100 |
| ACUG633 | 8H+2B-3200 |
| ACVG31N | 8H+2B-3200 |
| ACUN033 (3-5 mm) | 8H+2B-3200 |
| ACUN036 (6-8 mm) | 8H+2B-3200 |
| ACVG642 | 8H-240 |

MAXIMAAL VLEUGELGEWICHT
POIDS MAXIMUM PAR VANTAIL
MAXIMAL FLUGELGEWICHT
MAX. WEIGHT OF THE VENT **200 KG**

GLASMATEN / DIMENSIONS DES
VITRAGES / GLASSMASSE / GLASS SIZE

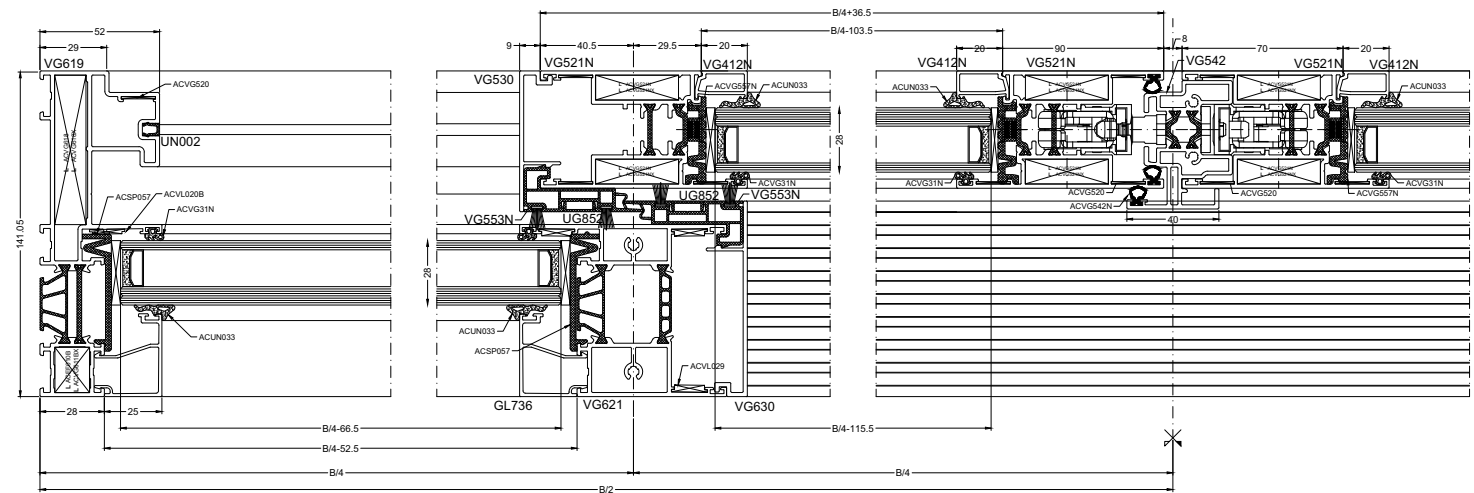
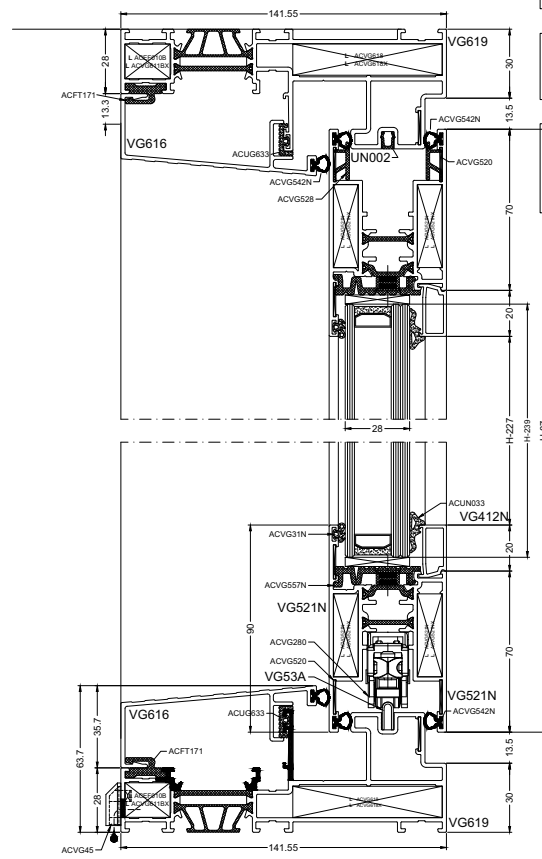
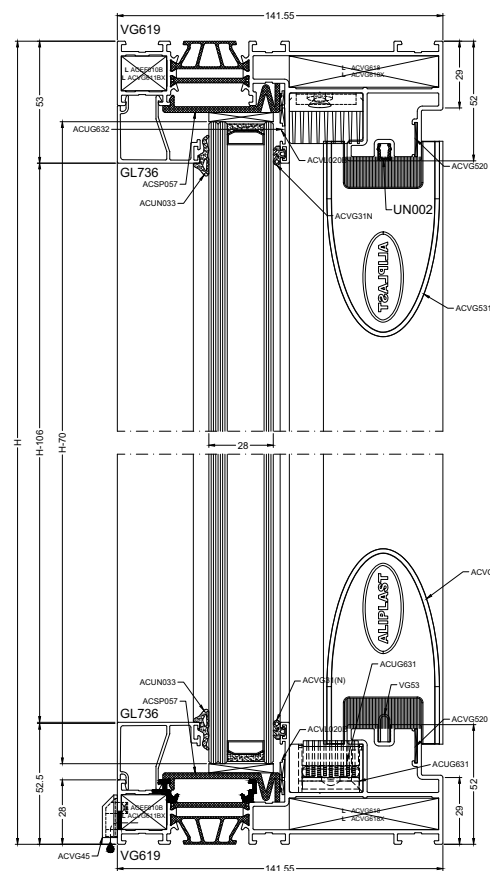


| | | |
|---|-----------|-------|
| ① | B/4-66.5 | H-70 |
| ② | B/4-115.5 | H-239 |

| | | |
|------------------------|---------|---|
| 702 mm < FB < 1278 mm | ACVG269 | 2 |
| 1206 mm < FB < 1782 mm | ACVG270 | |
| 1710 mm < FB < 2286 mm | ACVG271 | |
| 2214 mm < FB < 2790 mm | ACVG272 | |
| 2718 mm < FB < 3294 mm | ACVG273 | |

| | |
|---------------|--------|
| ACVG277...279 | FH-118 |
|---------------|--------|

| | | |
|------------------------|---------|---|
| 1718 mm < FH < 2218 mm | ACVG277 | 2 |
| 2118 mm < FH < 2618 mm | ACVG278 | |
| 2418 mm < FH < ... | ACVG279 | |

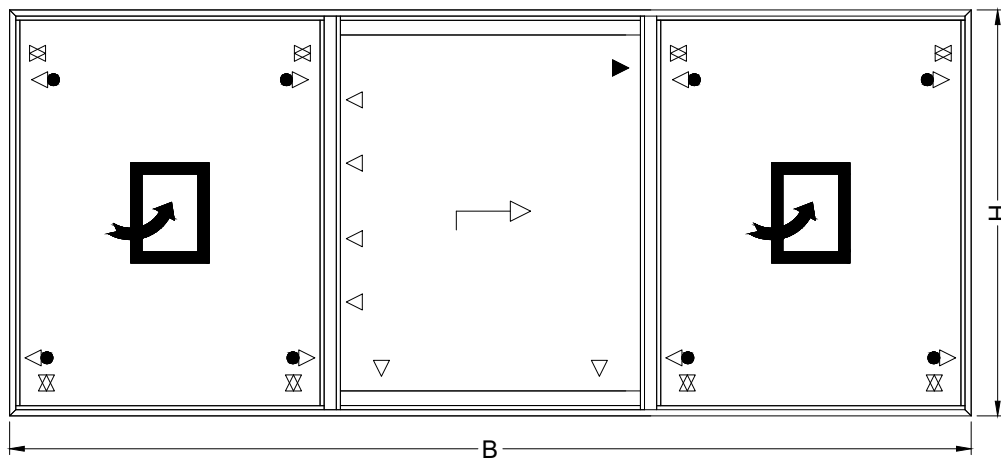


VG619-1RAIL-1F-20(LS)X20(LS)-1F

aliplast
member of



VG619-1RAIL-2F-10 (LS)-2F



- ▽ = ACVG280N
- ▼ = ACVG557N
- ⊗ = ACSP057
- = ACSP057+ACUN550

PROFIELEN / PROFILES / PROFILES / PROFILS

| | | | | |
|--------|--|---|--|--------|
| VG619 | | 2 | | B |
| VG521N | | 2 | | B/3+81 |
| VG621 | | 2 | | H-87 |
| VG530 | | 1 | | H-87 |
| VG630 | | 2 | | H-56 |
| VG533N | | 3 | | H-87 |
| VG615 | | 1 | | B/3-99 |
| VG616 | | 2 | | B/3-99 |
| UG852 | | 3 | | H-87 |
| VG632 | | 1 | | H-87 |

| | | | | |
|-------|--|---|--|----------|
| VG4XX | | 2 | | B/3-59 |
| | | 2 | | H-267 |
| GL7XX | | 4 | | B/3-52.5 |
| | | 4 | | H-106 |

| | | | | |
|---------|--|---|--|-------|
| VG53(A) | | 1 | | B-94 |
| VG52 | | 1 | | B-104 |
| UN002 | | 2 | | H-104 |

VERSTERKINGSPROFIEL / PROFIL DE RENFORCEMENT VERSTAERKUNGSPROFIL / REINFORCEMENT PROFILE

| | | | | |
|---------|--|---|---|------|
| UN500 | | 1 | 2 | H-91 |
| UN510 | | 1 | 2 | H-91 |
| UTL080 | | 1 | 2 | H-91 |
| ACUN500 | | 1 | 2 | |

OVERZICHT HANDGREPEN, ZIE SZ CATALOGUS
APERÇU POIGNÉES, VOIR LE CATALOGUE SZ
OVERVIEW HANDLES, SEE SZ CATALOG
UEBERSICHT HANDGRIFF, SIEHE SZ KATALOG

TOEBEHOREN / ACCESSOIRES ZUBEHÖRTEILE / ACCESSORIES

| | | | |
|---------------|---------------|---------|----|
| ACVG618 | 4 | ACMX853 | 8 |
| ACVG618X | 4 | ACUN161 | 8 |
| ACEF010B | 4 | ACMX853 | 8 |
| ACVG611BX | 4 | ACUN161 | 8 |
| ACVG521N | 8 | ACMX854 | 16 |
| ACVG521NX | 8 | ACUN160 | 16 |
| ACVL020(B) | 4 | | |
| ACVL029 | 12 | | |
| ACSP057 | 8 | | |
| ACVG557N | 1 | | |
| ACVG280N | 1 | | |
| ACUN550 | 8 | | |
| ACFT171 | (H+B-200)/300 | | |
| ACUG631 | 2 | | |
| ACUG632 | 2 | | |
| ACVG45 | | | |
| ACGSL045 | | | |
| ACUN045 | | | |
| ACVG534 | | | |
| ACVG528 | 6 | | |
| ACVG531 | 2 | | |
| ACUN348 | 1 | | |
| ACVG620 | 4 | | |
| ACVG269...273 | FB-586 | | |

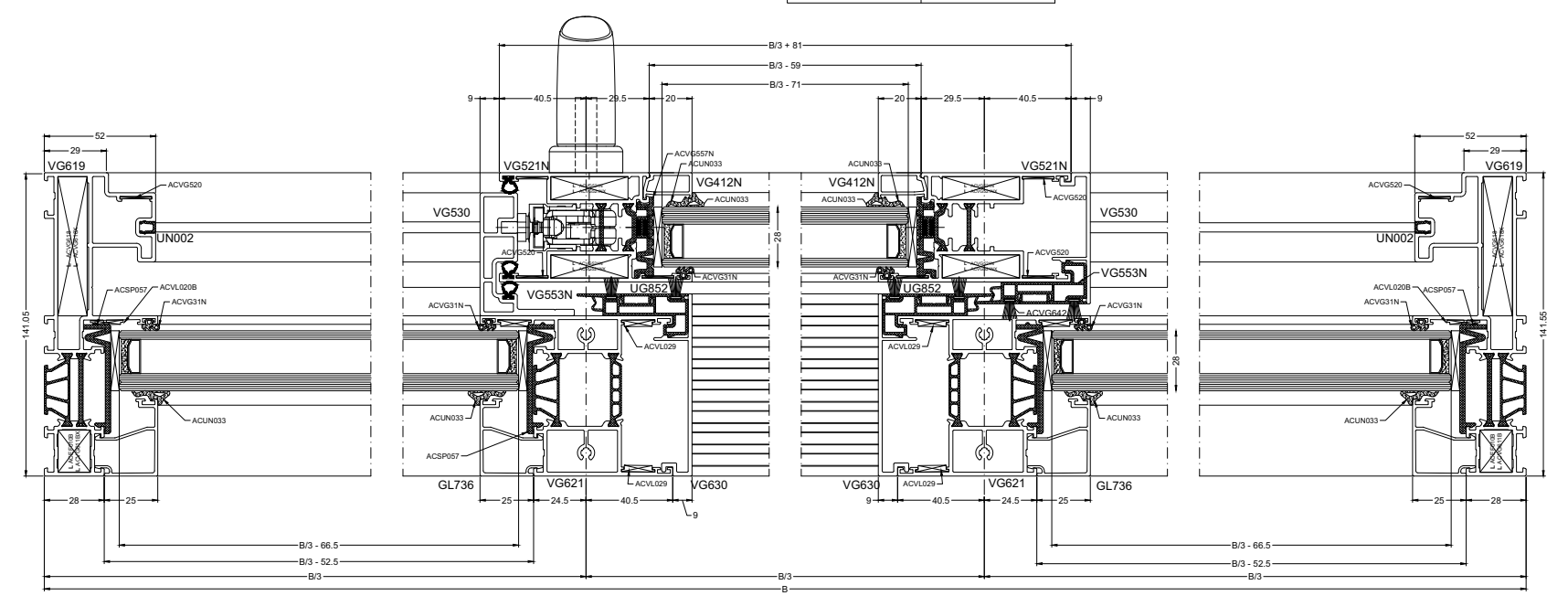
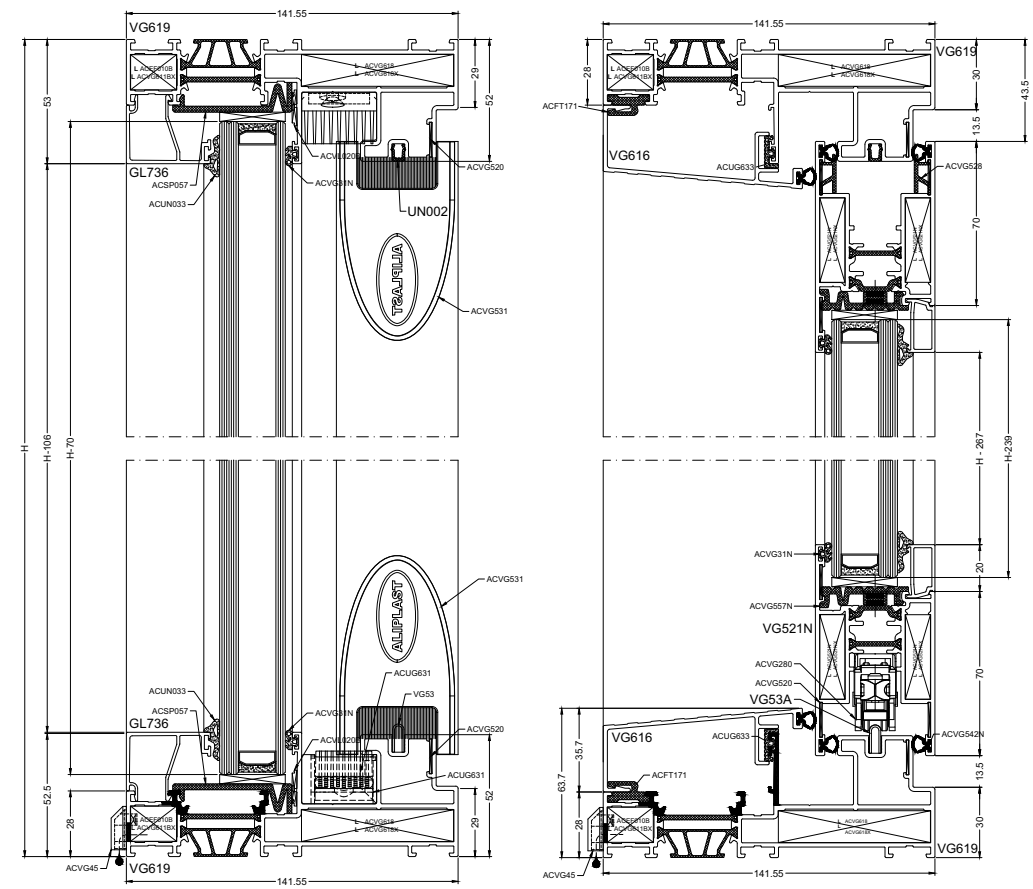
| | | |
|----|--|--------|
| FB | VLEUGELBREEDTE LARGEUR VANTAIL BREITE FLUGEL WIDTH SASH | B/3+81 |
| FH | VLEUGELHOOGTE HAUTEUR D'OUVRANT FLUGEL HOHE VENT HEIGHT | H-87 |

| | | | |
|--|----------|--|--------|
| GLASMATEN / DIMENSIONS DES VITRAGES / GLASSMASSE / GLASS SIZE | | | |
| | B/3-66.5 | | B/3-71 |
| | H-70 | | H-239 |

| | | |
|------------------------|---------|---|
| 702 mm < FB < 1278 mm | ACVG269 | 1 |
| 1206 mm < FB < 1782 mm | ACVG270 | |
| 1710 mm < FB < 2286 mm | ACVG271 | |
| 2214 mm < FB < 2790 mm | ACVG272 | |
| 2718 mm < FB < 3294 mm | ACVG273 | |
| 1718 mm < FH < 2218 mm | ACVG277 | 1 |
| 2118 mm < FH < 2618 mm | ACVG278 | |
| 2418 mm < FH < ... | ACVG279 | |

MAXIMAAL VLEUGELGEWICHT
POIDS MAXIMUM PAR VANTAIL
MAXIMAL FLUGELGEWICHT
MAX. WEIGHT OF THE VENT

200 KG

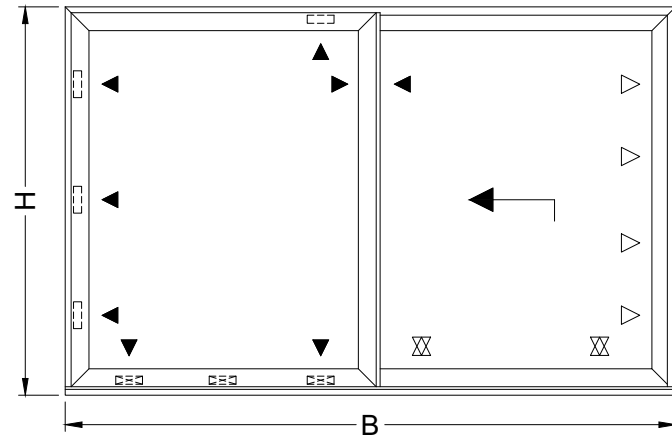


VG619-1RAIL-1F-20(LS)-1F



VG500

VG516(VG518)-1RAIL-1F-2O(LS)



- ▽ = ACVG280N
- ⊗ = ACVG280N+ACVG1282N
- ▼ = ACVG557N
- = ACVG644
- ▣ = ACVG644+ACVG645N

OPTIONEEL / EN OPTION / FAKULTATIV / OPTIONAL

| | | | | |
|---------|---|---|---------|-----|
| UN075 | f | 1 | | B-9 |
| ACUN075 | | | 1 | |
| ACVL061 | | | B/300+2 | |

PROFIELEN / PROFILES / PROFILS / PROFILS

| | | | |
|--------|---|--|----------|
| VG518 | 1 | | B |
| | 1 | | H-40 |
| | 1 | | H-40 |
| UG050 | 1 | | B-33 |
| | 1 | | H-56.5 |
| | 1 | | H-56.5 |
| VG516 | 1 | | B |
| UG054 | 1 | | B |
| VG554 | 1 | | B/2-15.5 |
| | 4 | | B/2-3 |
| VG521N | 4 | | H-88.5 |
| | 4 | | H-88.5 |
| VG530 | 1 | | H-70.2 |
| | 1 | | H-88.5 |
| VG553N | 1 | | H-73.5 |
| | 1 | | H-88.5 |
| UG852 | 1 | | H-73.5 |
| | 1 | | H-88.5 |
| VG660 | 2 | | B/2-18 |

| | | | |
|-------|---|--|---------|
| VG4XX | 4 | | B/2-143 |
| | 4 | | H-268.5 |

| | | | |
|---------|---|--|------|
| VG53(A) | 1 | | B-94 |
|---------|---|--|------|

| | | | |
|-------|---|--|--------|
| UN002 | 1 | | B-104 |
| | 1 | | B/2-52 |
| | 2 | | H-104 |
| | 1 | | H-74 |

TOEBEHOREN / ACCESSOIRES
ZUBEHOORTEILE / ACCESSORIES

| | | | |
|---------------|----|--------|--|
| ACVG617 | 4 | | |
| ACVG617X | 4 | | |
| ACVG521N | 16 | | |
| ACVG521NX | 16 | | |
| ACVG520 | 28 | | |
| ACVG557N | 8 | | |
| ACVG644 | 7 | | |
| ACVG645N | 3 | | |
| ACUN348 | 1 | | |
| ACUG831 | 1 | | |
| ACVG515N | 4 | | |
| ACVG516N | 1 | | |
| ACVG518N | 1 | | |
| ACVG519 | 1 | | |
| ACUG123L/R | 1 | | |
| ACVG528 | 6 | | |
| ACVG531 | 2 | | |
| ACUN667 | 4 | | |
| ACVG280N | 1 | | |
| ACVG1282N | 2 | | |
| ACVG269...273 | | FB-586 | |

| | |
|---------|----|
| ACMX853 | 8 |
| ACUN161 | |
| ACMX854 | 32 |
| ACUN160 | |

| | | |
|----|--|--------|
| FB | VLEUGELBREEDTE LARGEUR VANTAIL BREITE FLUGEL WIDTH SASH | B/2-3 |
| FH | VLEUGELHOOGTE HAUTEUR D'OUVRANT FLUGEL HOHE VENT HEIGHT | H-88.5 |

MAXIMAAL VLEUGELGEWICHT
POIDS MAXIMUM PAR VANTAIL
MAXIMAL FLUGELGEWICHT
MAX. WEIGHT OF THE VENT

200 KG

| | | |
|--|---------|---------|
| GLASMATEN / DIMENSIONS DES VITRAGES / GLASSMASSE / GLASS SIZE | | |
| 2X | B/2-155 | H-240.5 |

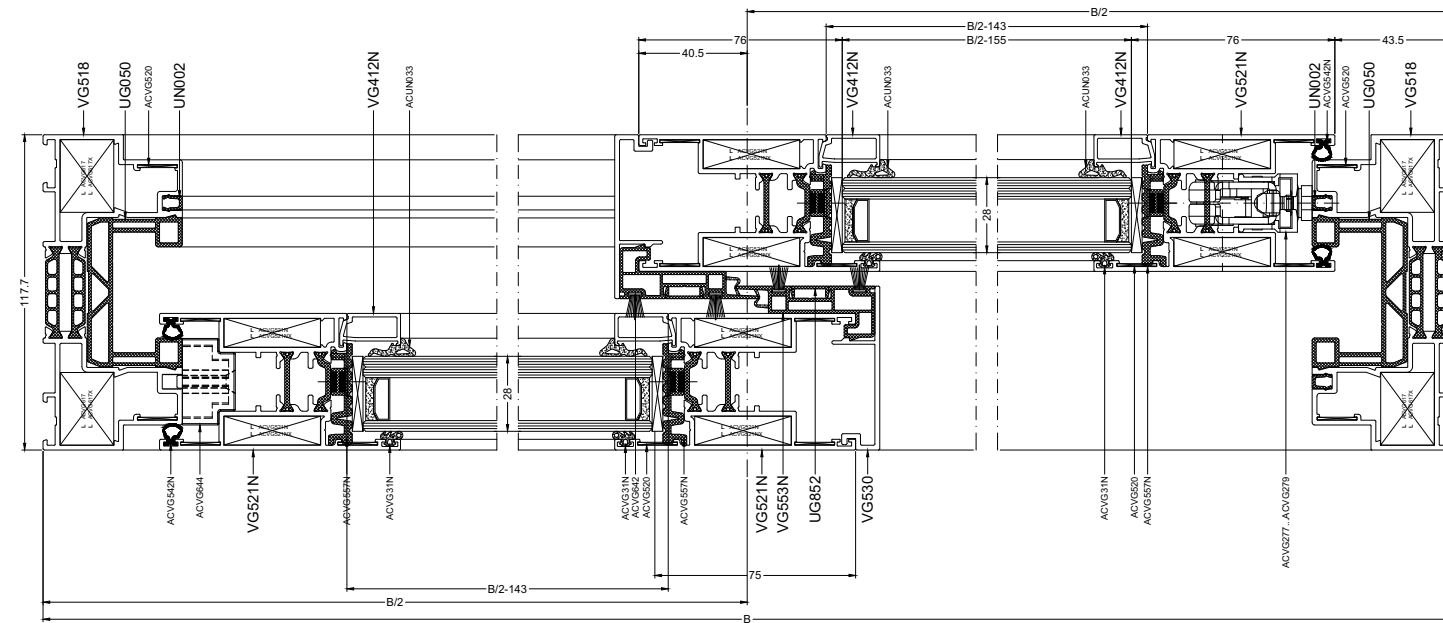
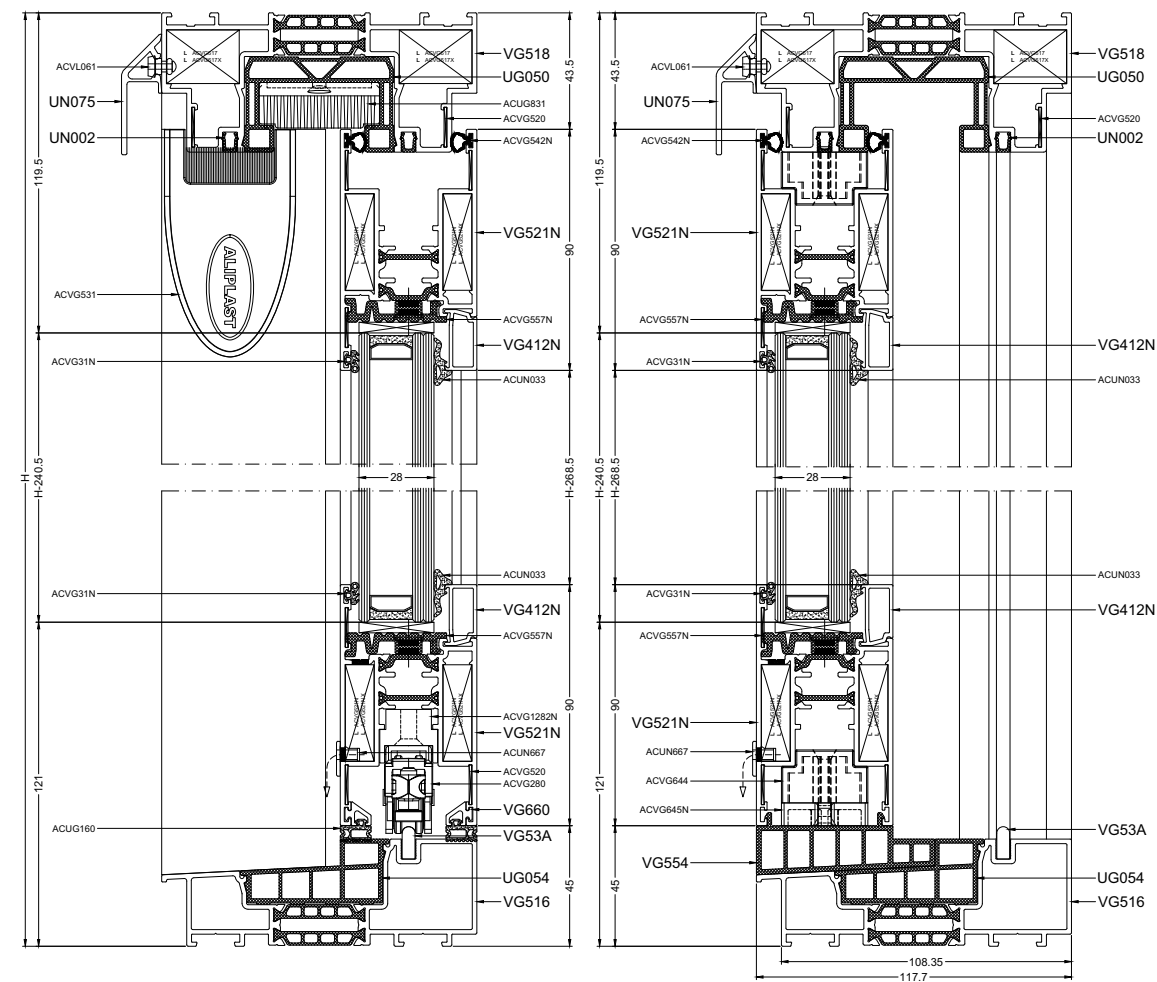
| | | |
|------------------------|---------|---|
| 702 mm < FB < 1278 mm | ACVG269 | 1 |
| 1206 mm < FB < 1782 mm | ACVG270 | |
| 1710 mm < FB < 2286 mm | ACVG271 | |
| 2214 mm < FB < 2790 mm | ACVG272 | |
| 2718 mm < FB < 3294 mm | ACVG273 | |

| | | |
|------------------------|---------|---|
| 1718 mm < FH < 2218 mm | ACVG277 | 1 |
| 2118 mm < FH < 2618 mm | ACVG278 | |
| 2418 mm < FH < ... | ACVG279 | |

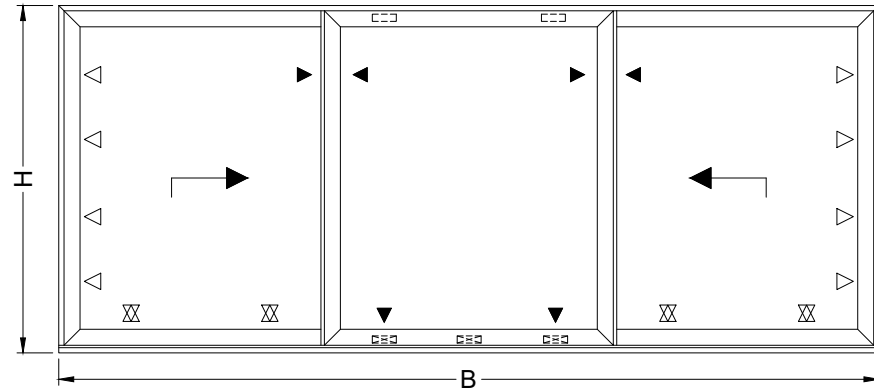
OVERZICHT HANDGREPEN, ZIE SZ CATALOGUS
APERCU POIGNEES, VOIR LE CATALOGUE SZ
OVERVIEW HANDLES, SEE SZ CATALOG
UEBERSICHT HANDGRIFF, SIEHE SZ KATALOG

| | |
|---------------|--------|
| ACVG277...279 | FH-118 |
|---------------|--------|

| | |
|------------------|------------|
| ACUG160 | B |
| ACVG542N | 4H+4B-350 |
| ACV642 | 4H+2B-1500 |
| ACVG31N | 4H+2B-1500 |
| ACUN033 (3-5 mm) | 4H+2B-1500 |
| ACUN036 (6-8 mm) | 4H+2B-1500 |
| ACV642 | 4H-100 |



VG516(VG518)-1RAIL-10(LS)-2F-10 (LS)



- ▽ = ACVG280N
- ⊗ = ACVG280N+ACVG1282N
- ▼ = ACVG557N
- = ACVG644
- = ACVG644+ACVG645N

PROFIELEN / PROFILES / PROFILS / PROFILS

| | | | | |
|--------|----------|---|----------|----------|
| VG518 | [Symbol] | 1 | [Symbol] | B |
| | | 1 | [Symbol] | H-40 |
| VG516 | [Symbol] | 1 | [Symbol] | B |
| | | 1 | [Symbol] | H-40 |
| UG050 | [Symbol] | 1 | [Symbol] | H-56.5 |
| | | 1 | [Symbol] | H-56.5 |
| VG521N | [Symbol] | 6 | [Symbol] | B/3+25 |
| | | 6 | [Symbol] | H-88.5 |
| VG530 | [Symbol] | 2 | [Symbol] | H-70.2 |
| VG530 | [Symbol] | 2 | [Symbol] | H-88.5 |
| UG054 | [Symbol] | 1 | [Symbol] | B |
| VG554 | [Symbol] | 1 | [Symbol] | B/2-15.5 |
| VG553N | [Symbol] | 2 | [Symbol] | H-73.5 |
| | | 2 | [Symbol] | H-88.5 |
| VG852 | [Symbol] | 2 | [Symbol] | H-73.5 |
| | | 2 | [Symbol] | H-88.5 |
| VG660 | [Symbol] | 4 | [Symbol] | B/3+10 |

| | | | | |
|-------|----------|---|----------|---------|
| VG4XX | [Symbol] | 6 | [Symbol] | B/3-115 |
| | | 6 | [Symbol] | H-268.5 |

| | | | | |
|---------|----------|---|----------|------|
| VG53(A) | [Symbol] | 1 | [Symbol] | B-94 |
|---------|----------|---|----------|------|

| | | | | |
|--|----------|---|----------|-------|
| UN002 <small>OF 100-1000/10</small> | [Symbol] | 1 | [Symbol] | B-104 |
| | | 2 | [Symbol] | 4H-92 |

OPTIONEEL / EN OPTION / FAKULTATIV / OPTIONAL

| | | | | |
|---------|----------|---|----------|---------|
| UN075 | [Symbol] | 1 | [Symbol] | B-9 |
| ACUN075 | [Symbol] | 1 | [Symbol] | |
| ACVL061 | [Symbol] | | [Symbol] | B/300+2 |

TOEBEHOREN / ACCESSOIRES ZUBEHÖRTEILE / ACCESSORIES

| | | | |
|-----------|----|--------------------|----|
| ACVG617 | 4 | ACMX853 ACUN161 | 8 |
| ACVG617X | | | |
| ACVG521N | 16 | ACMX854 ACUN160 | 32 |
| ACVG521NX | | | |
| ACVG520 | 40 | | |
| ACVG519 | 1 | | |
| ACVG557N | 6 | | |
| ACVG644 | 5 | | |
| ACVG645N | 3 | | |
| ACVG531 | 4 | | |
| ACUG831 | 2 | | |
| ACVG280N | 2 | | |
| ACVG1282N | 4 | | |
| ACVG528 | 12 | | |
| ACVG515N | 4 | | |
| ACVG516N | 2 | | |
| ACUG123L | 1 | | |
| ACUG123R | 1 | | |
| ACUN667 | 6 | | |

| | |
|------------------|-------------|
| ACVG542N | 4H+4B/3+250 |
| ACVG642 | |
| ACVG31N | 6H+2B-1800 |
| ACUN033 (3-5 mm) | 6H+2B-1800 |
| ACUN036 (6-8 mm) | |
| ACUG160 | 4B/3+100 |
| ACVG642 | 8H-240 |

| | |
|---------------|--------|
| ACVG269...273 | FB-586 |
| ACVG277...279 | FH-118 |

| | | |
|----|--|--------|
| FB | VLEUGELBREEDTE LARGEUR VANTAIL BREITE FLÜGEL WIDTH SASH | B/3+25 |
| FH | VLEUGELHOOGTE HAUTEUR D'OUVRANT FLÜGEL HOHE VENT HEIGHT | H-88.5 |

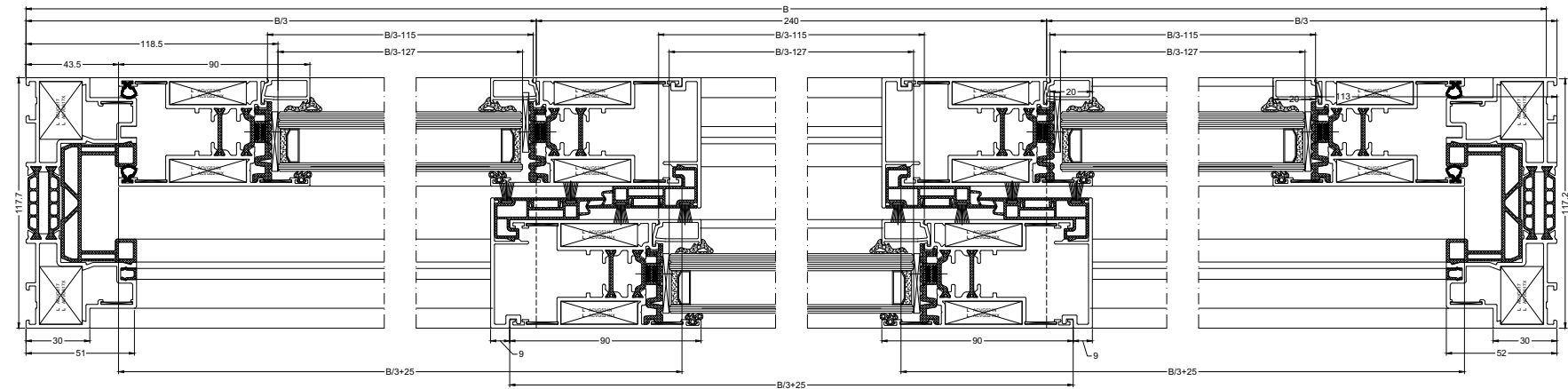
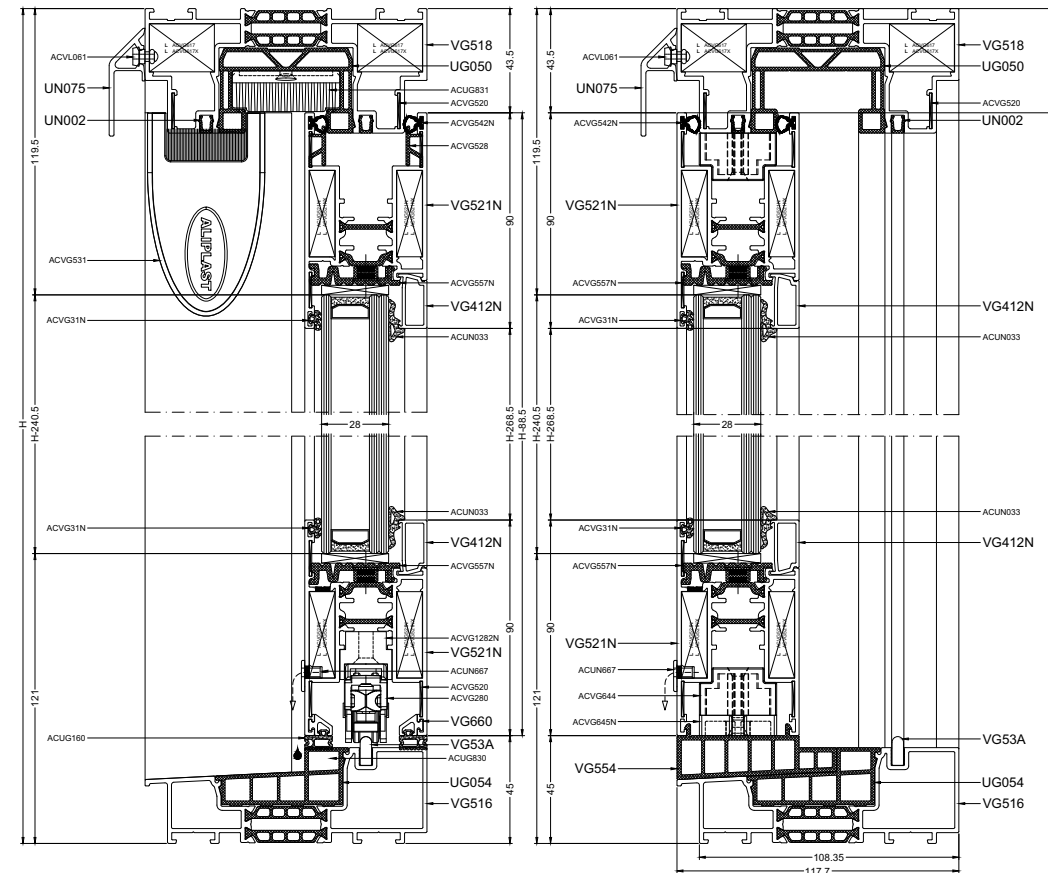
| | | |
|--|---------|---------|
| GLASMATEN / DIMENSIONS DES VITRAGES / GLASSMASSE / GLASS SIZE | | |
| 3X | B/3-127 | H-240.5 |

| | |
|--|--------|
| MAXIMALE VLEUGELGEWICHT POIDS MAXIMUM PAR VANTAIL MAXIMAL FLÜGELGEWICHT MAX. WEIGHT OF THE VENT | 200 kg |
|--|--------|

OVERZICHT HANDGREPEN, ZIE SZ CATALOGUS
APERCU POIGNEES, VOIR LE CATALOGUE SZ
OVERVIEW HANDLES, SEE SZ CATALOG
UEBERSICHT HANDGRIF, SIEHE SZ KATALOG

| | | |
|------------------------|---------|---|
| 702 mm < FB < 1278 mm | ACVG269 | 2 |
| 1206 mm < FB < 1782 mm | ACVG270 | |
| 1710 mm < FB < 2286 mm | ACVG271 | |
| 2214 mm < FB < 2790 mm | ACVG272 | |
| 2718 mm < FB < 3294 mm | ACVG273 | |

| | | |
|------------------------|---------|---|
| 1718 mm < FH < 2218 mm | ACVG277 | 2 |
| 2118 mm < FH < 2618 mm | ACVG278 | |
| 2418 mm < FH < ... | ACVG279 | |



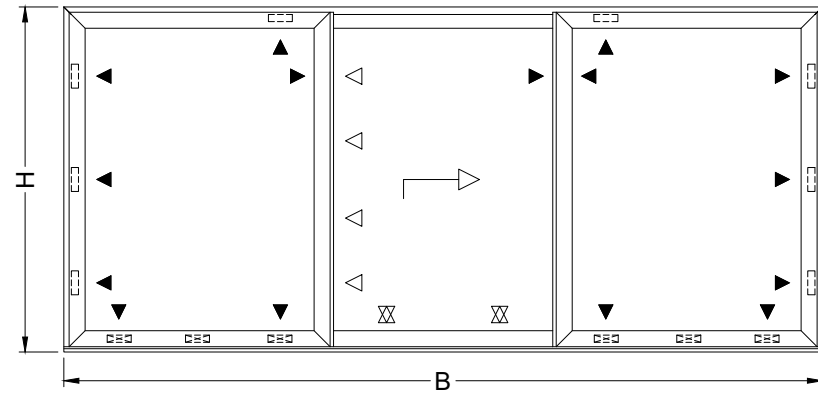
VG516(VG518)-1RAIL-10(LS)-2F-10

aliplast
member of



VG500

VG516(VG518)-1RAIL-1F-2O(LS)-1F



- ▽ = ACVG280N
- ▼ = ACVG557N
- = ACVG644
- ⊗ = ACVG280N+ACVG1282N
- ⊞ = ACVG644+ACVG645N

PROFILEN / PROFILES / PROFILS / PROFILS

| | | | |
|--------|---|--|----------|
| VG518 | 1 | | B |
| | 1 | | H-40 |
| | 1 | | H-40 |
| VG516 | 1 | | B |
| | 1 | | H-56.5 |
| | 1 | | H-56.5 |
| UG050 | 1 | | B-33 |
| | 1 | | H-88.5 |
| | 1 | | H-70.2 |
| VG521N | 6 | | B/3+25 |
| | 6 | | H-88.5 |
| VG530 | 2 | | H-70.2 |
| VG530 | 1 | | H-88.5 |
| VG632 | 1 | | H-83.5 |
| UG054 | 1 | | B |
| VG554 | 2 | | B/2+11.5 |
| VG553N | 2 | | H-73.5 |
| | 1 | | H-88.5 |
| VG852 | 2 | | H-73.5 |
| | 1 | | H-88.5 |
| VG660 | 2 | | B/3+10 |
| | 2 | | H-88.5 |
| VG4XX | 6 | | B/3-115 |
| | 6 | | H-268.5 |

| | | | |
|---------|---|--|------|
| VG53(A) | 1 | | B-94 |
|---------|---|--|------|

| | | | |
|-------|---|--|-------|
| UN002 | 1 | | B-104 |
| | 2 | | H-92 |

OPTIONEEL / EN OPTION / FAKULTATIV / OPTIONAL

| | | | |
|---------|---------|--|-----|
| UN075 | 1 | | B-9 |
| ACUN075 | 1 | | |
| ACVG33N | B/300+2 | | |

TOEBEHOREN / ACCESSOIRES ZUBEHÖRTEILE / ACCESSORIES

| | | | |
|-----------|----|--|--|
| ACVG617 | 4 | | |
| ACVG617X | 4 | | |
| ACVG521N | 24 | | |
| ACVG521NX | 24 | | |
| ACVG520 | 40 | | |
| ACVG519 | 2 | | |
| ACVG557N | 15 | | |
| ACVG644 | 14 | | |
| ACVG645N | 6 | | |
| ACVG45 | | | |
| ACGSL045 | | | |
| ACUN045 | | | |
| ACVG531 | 3 | | |
| ACUG831 | 2 | | |
| ACVG280N | 1 | | |
| ACVG1282N | 2 | | |
| ACVG528 | 6 | | |
| ACVG515N | 4 | | |
| ACVG516N | 2 | | |
| ACUG123L | 1 | | |
| ACUG123R | 1 | | |
| ACUN667 | 6 | | |

| | |
|---------|----|
| ACMX853 | 8 |
| ACUN161 | 8 |
| ACMX854 | 48 |
| ACUN160 | 48 |

| | | |
|----|--|--------|
| FB | VLEUGELBREEDTE LARGEUR VANTAIL BREITE FLÜGEL WIDTH SASH | B/3+25 |
| FH | VLEUGELHOOGTE HAUTEUR D'OUVRANT FLÜGEL HOHE VENT HEIGHT | H-88.5 |

GLASMATEN / DIMENSIONS DES VITRAGES / GLASSMASSE / GLASS SIZE

| | | |
|----|---------|---------|
| 3X | B/3-127 | H-240.5 |
|----|---------|---------|

| | |
|--|--------|
| MAXIMAAL VLEUGELGEWICHT POIDS MAXIMUM PAR VANTAIL MAXIMAL FLÜGELGEWICHT MAX. WEIGHT OF THE VENT | 200 kg |
|--|--------|

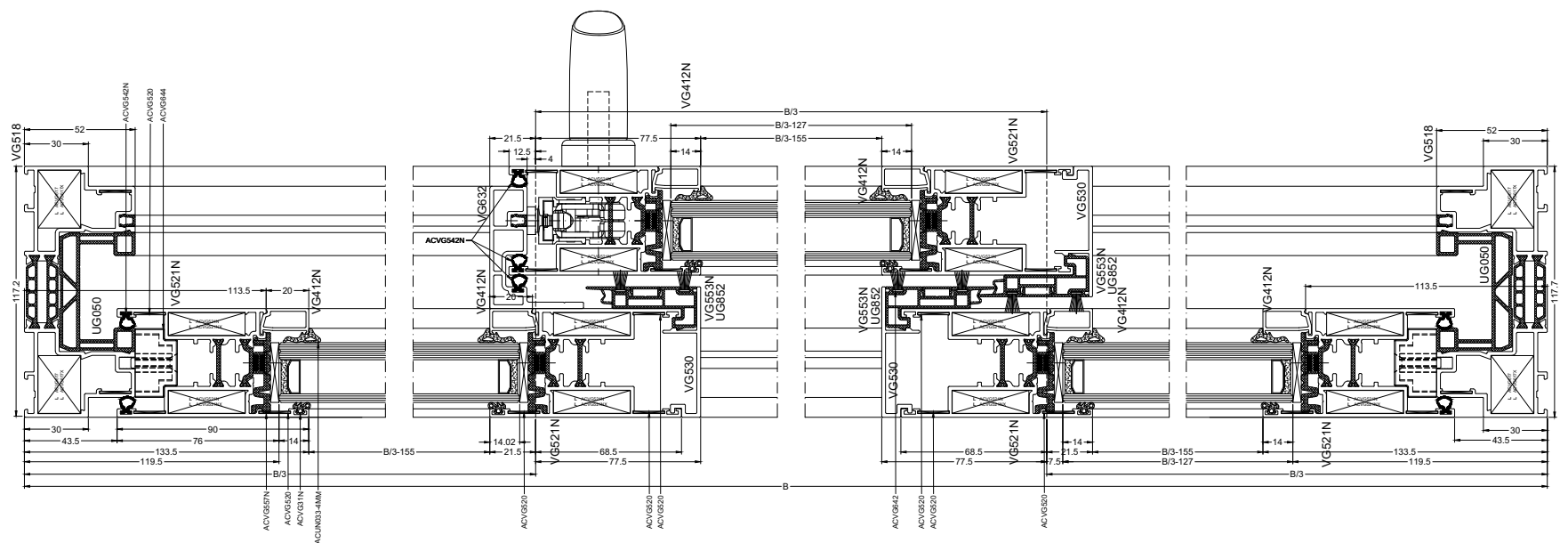
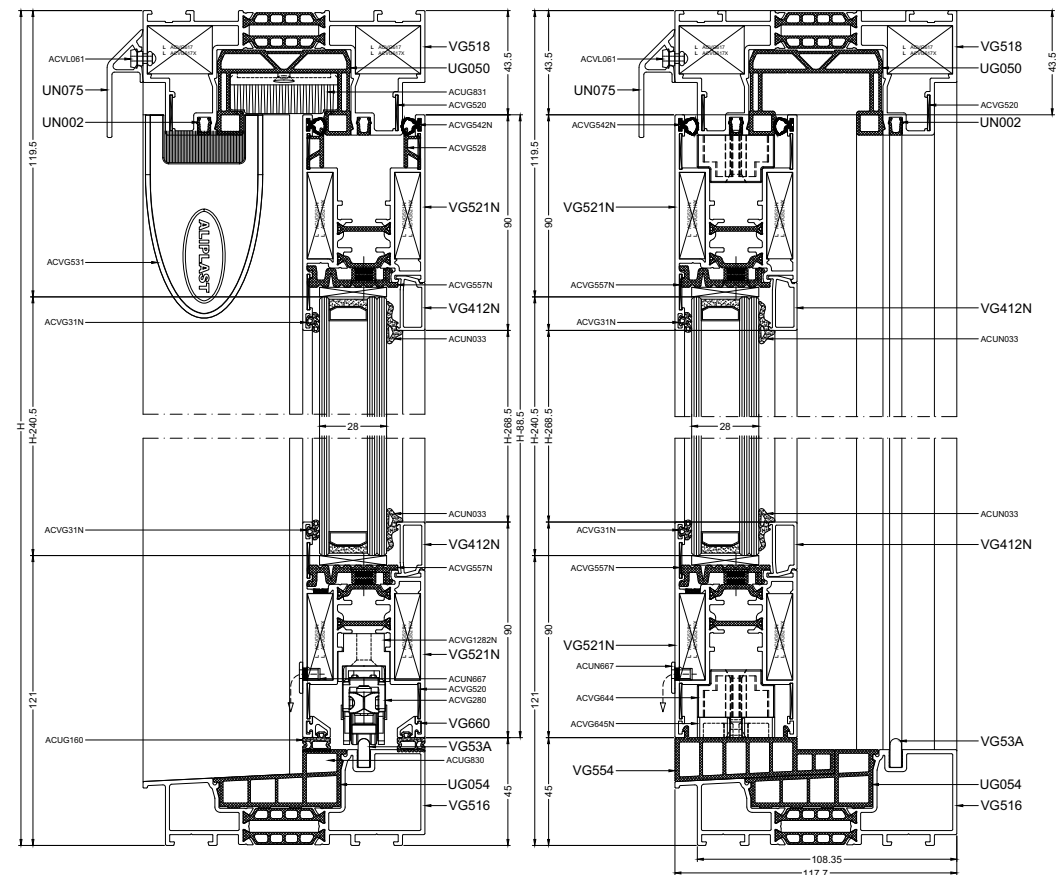
OVERZICHT HANDGREPEN, ZIE SZ CATALOGUS
APERCU POIGNEES, VOIR LE CATALOGUE SZ
OVERVIEW HANDLES, SEE SZ CATALOG
UEBERSICHT HANDGRIF, SIEHE SZ KATALOG

| | |
|------------------|------------|
| ACVG542N | 13H+2B |
| ACVG642 | |
| ACVG31N | 6H+2B-1800 |
| ACUN033 (3-5 mm) | 6H+2B-1800 |
| ACUN036 (6-8 mm) | 6H+2B-1800 |
| ACUG160 | 2B/3+100 |

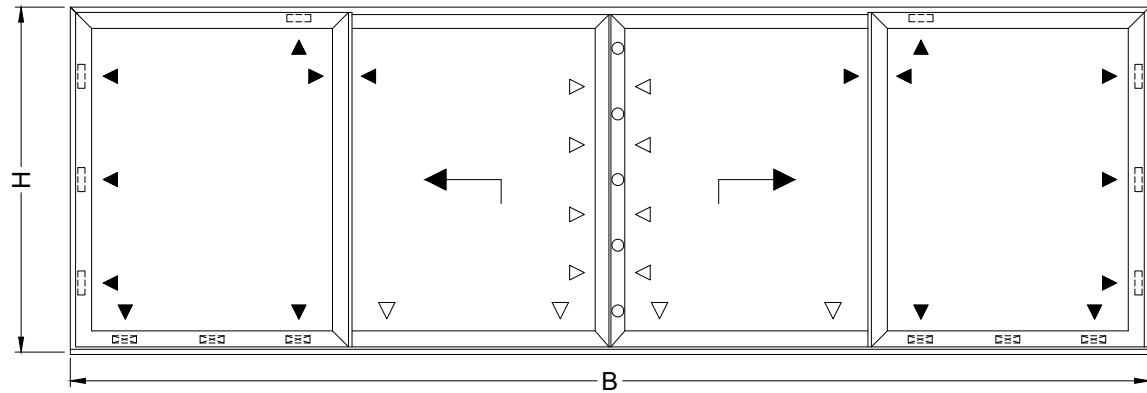
| | | |
|------------------------|---------|---|
| 702 mm < FB < 1278 mm | ACVG269 | 1 |
| 1206 mm < FB < 1782 mm | ACVG270 | |
| 1710 mm < FB < 2286 mm | ACVG271 | |
| 2214 mm < FB < 2790 mm | ACVG272 | |
| 2718 mm < FB < 3294 mm | ACVG273 | |

| | |
|---------------|--------|
| ACVG269...273 | FB-586 |
| ACVG277...279 | FH-118 |

| | | |
|------------------------|---------|---|
| 1718 mm < FH < 2218 mm | ACVG277 | 1 |
| 2118 mm < FH < 2618 mm | ACVG278 | |
| 2418 mm < FH < ... | ACVG279 | |

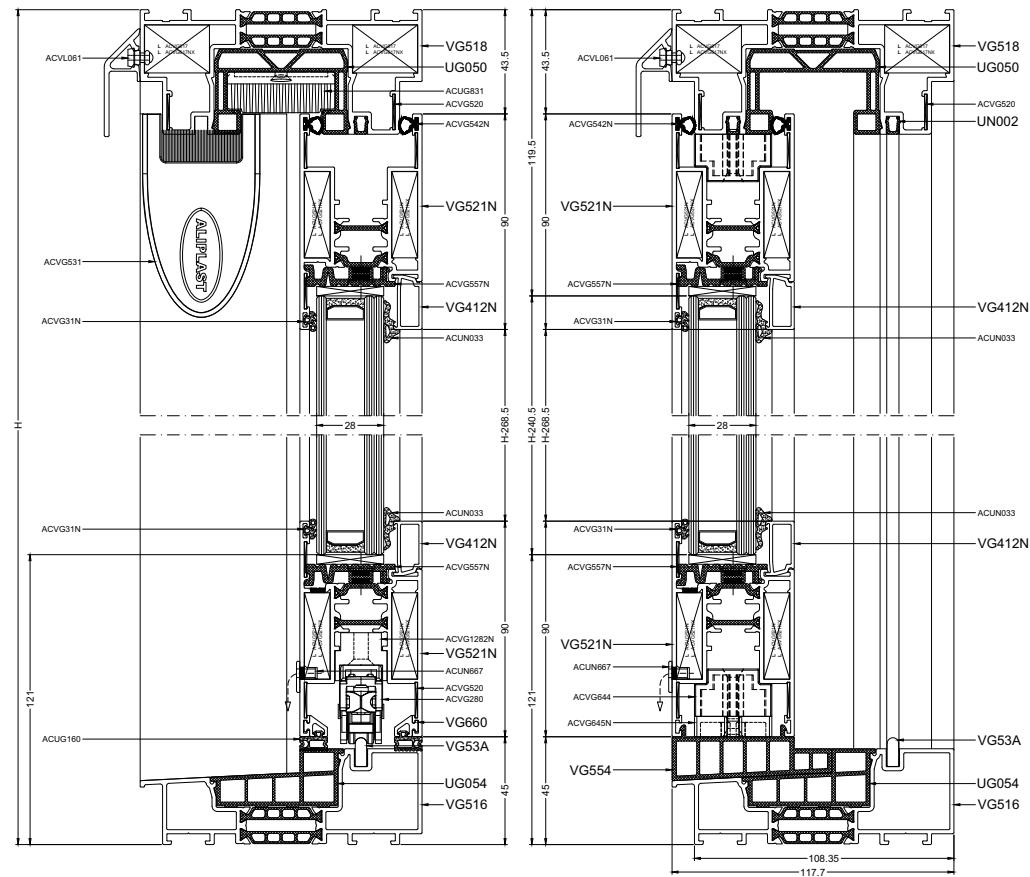


VG516(VG518)-1RAIL-1F-2O(LS)x2O(LS)-1F



- ▽ = ACVG280N
- ▼ = ACVG557N
- = ACVG644
- ▣ = ACVG644+ACVG645N
- = ACVG240

| | | |
|----|--|-----------|
| FB | VLEUGELBREEDTE LARGEUR VANTAIL BREITE FLUGEL WIDTH SASH | B/4+16.75 |
| FH | VLEUGELHOOGTE HAUTEUR D'OUVRANT FLUGEL HOHE VENT HEIGHT | H-88.5 |



PROFIENEN / PROFILES / PROFILS / PROFILS

| | | |
|--------|---|-----------|
| VG516 | 1 | B |
| VG518 | 1 | B |
| | 1 | H-40 |
| | 1 | H-40 |
| UG050 | 1 | B-33 |
| | 1 | H-56.5 |
| | 1 | H-56.5 |
| VG521N | 8 | B/4+16.75 |
| | 8 | H-88.5 |
| VG530 | 2 | H-70.2 |
| | 2 | H-88.5 |
| VG553N | 2 | H-73.5 |
| | 2 | H-88.5 |
| UG852 | 2 | H-73.5 |
| | 2 | H-88.5 |
| VG660 | 4 | B/4+1.75 |
| VG542 | 1 | H-77 |
| UG054 | 1 | B |
| VG554 | 1 | B/4-4.25 |

| | | |
|-------|---|------------|
| VG4XX | 8 | B/4-123.25 |
| | 8 | H-268.5 |

| | | |
|---------|---|------|
| VG53(A) | 1 | B-94 |
|---------|---|------|

| | | |
|-------|---|----------|
| UN002 | 1 | B-104 |
| VG52 | 1 | B/2-76.1 |
| | 2 | H-92 |

OPTIONEEL / EN OPTION / FAKULTATIV / OPTIONAL

| | | |
|---------|---------|-----|
| UN075 | 1 | B-9 |
| ACUN075 | 1 | |
| ACVL061 | B/300+2 | |

TOEBEHOREN / ACCESSOIRES ZUBEHÖRTEILE / ACCESSORIES

| | |
|---------------|--------|
| ACVG617 | 4 |
| ACVG617X | 4 |
| ACVG521N | 32 |
| ACVG521NX | 32 |
| ACVG515N | 1 |
| ACVG516N | 1 |
| ACVG518N | 1 |
| ACVG519 | 2 |
| ACVG520 | 52 |
| ACVG557N | 16 |
| ACVG644 | 14 |
| ACVG645N | 6 |
| ACUN348 | 2 |
| ACVG564 | 1 |
| ACUN667 | 8 |
| ACVG528 | 12 |
| ACVG543 | 1 |
| ACVG531 | 4 |
| ACUG831 | 2 |
| ACVG240 | 1 |
| ACVG280N | 2 |
| ACVG1282N | 4 |
| ACVG269...273 | FB-586 |

| | |
|---------|----|
| ACMX853 | 8 |
| ACUN161 | 8 |
| ACMX854 | 64 |
| ACUN160 | 64 |

| | |
|------------------|------------|
| ACVG542N | 7H+4B-300 |
| ACUG642 | B/2+50 |
| ACUG160 | B/2+50 |
| ACVG31N | 8H+2B-2000 |
| ACUN033 (3-5 mm) | 8H+2B-2000 |
| ACUN036 (6-8 mm) | 8H+2B-2000 |
| ACVG642 | 8H-240 |

MAXIMAAL VLEUGELGEWICHT
POIDS MAXIMUM PAR VANTAIL
MAXIMAL FLUGELGEWICHT
MAX. WEIGHT OF THE VENT

200 KG

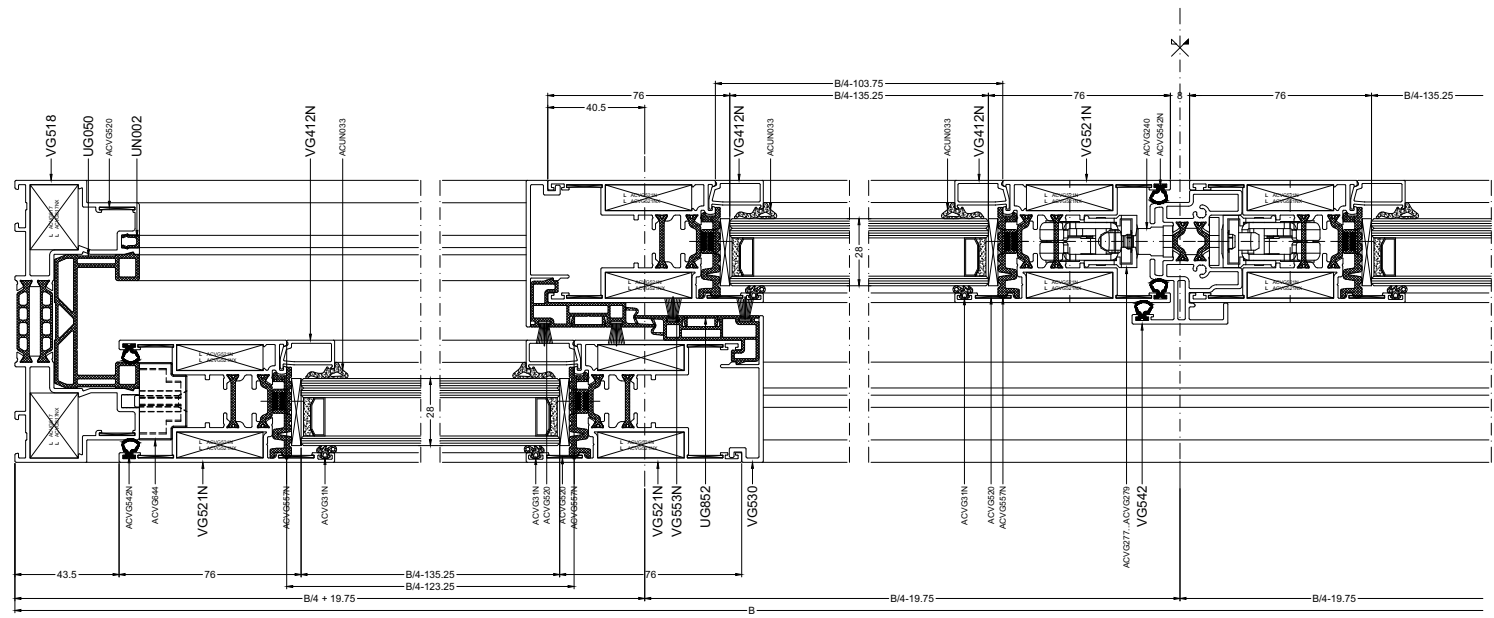
GLASMATEN / DIMENSIONS DES
VITRAGES / GLASMASSE / GLASS SIZE

4X B/4-135.25 H-240.5

| | | |
|------------------------|---------|---|
| 702 mm < FB < 1278 mm | ACVG269 | 2 |
| 1206 mm < FB < 1782 mm | ACVG270 | |
| 1710 mm < FB < 2286 mm | ACVG271 | |
| 2214 mm < FB < 2790 mm | ACVG272 | |
| 2718 mm < FB < 3294 mm | ACVG273 | |

| | | |
|------------------------|---------|---|
| 1718 mm < FH < 2218 mm | ACVG277 | 2 |
| 2118 mm < FH < 2618 mm | ACVG278 | |
| 2418 mm < FH < ... | ACVG279 | |

OVERZICHT HANDGREPEN, ZIE SZ CATALOGUS
APERCU POIGNEES, VOIR LE CATALOGUE SZ
OVERVIEW HANDLES, SEE SZ CATALOG
UEBERSICHT HANDGRIFF, SIEHE SZ KATALOG



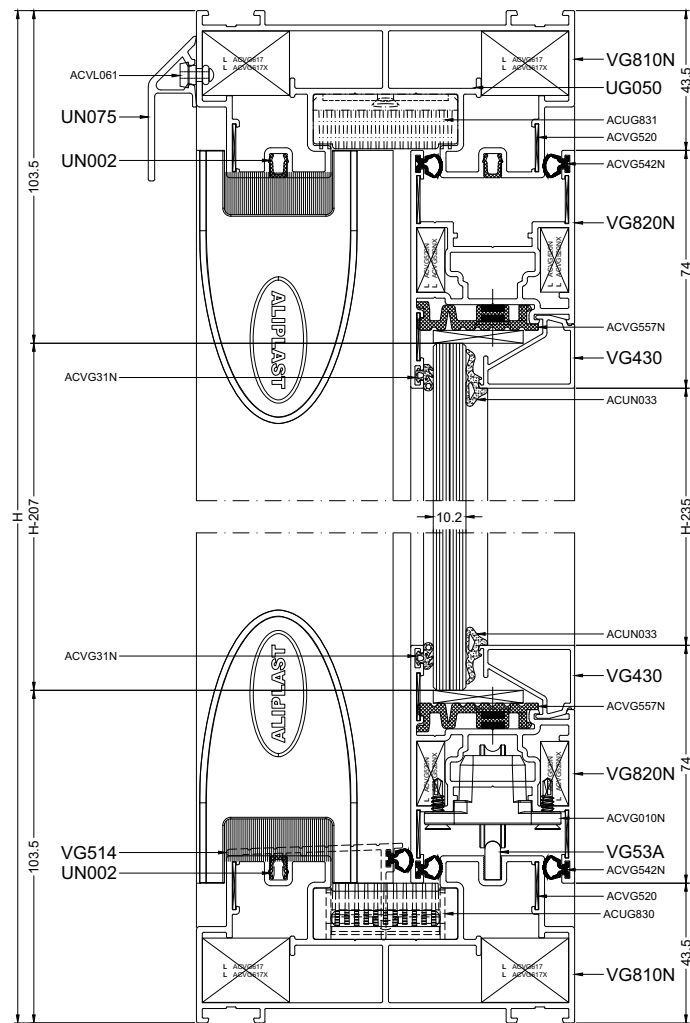
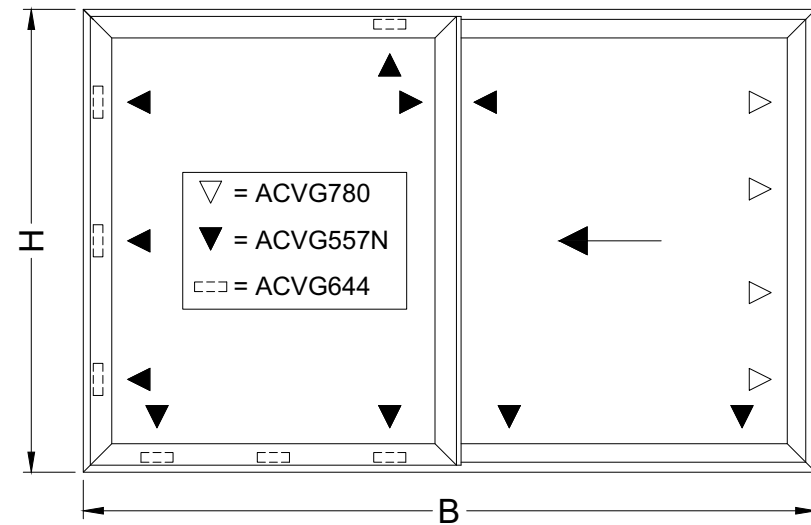
VG516(VG518)-1RAIL-1F-2O(LS)x2O(LS)-1F

aliplast
member of

CORIALIS

VG500

VG810N-2RAIL-1F-20



PROFIELEN / PROFILES / PROFILS / PROFILS

| | | | | |
|--------|--|---|--|--------|
| VG810N | | 2 | | B |
| | | 2 | | H |
| VG820N | | 4 | | B/2-11 |
| | | 4 | | H-87 |
| VG830N | | 2 | | H-87 |

| | | | | |
|-------|--|---|--|---------|
| VG4XX | | 4 | | B/2-119 |
| | | 4 | | H-235 |

| | | | | |
|---------|--|---|--|------|
| VG53(A) | | 1 | | B-94 |
|---------|--|---|--|------|

| | | | | |
|----------------------------------|--|---|--|----------|
| UN002 OF 100/00001 OR VG52 | | 1 | | B-104 |
| | | 2 | | B/2-62.3 |
| | | 3 | | H-104 |

OPTIONEEL / EN OPTION / FAKULTATIV / OPTIONAL

| | | | | |
|---------|--|---|---------|-----|
| UN075 | | 1 | | B-9 |
| ACUN075 | | 1 | | |
| ACVL061 | | | B/300+2 | |

TOEBEHOREN / ACCESSOIRES ZUBEHÖRTEILE / ACCESSORIES

| | | | |
|---|----|---------|-----------------------|
| ACVG617 OF 0000000001 | 8 | | |
| ACVG617X | | ACMX853 | 16 |
| ACUN161 | | ACUN161 | 16 |
| ACVG520N | 16 | | |
| ACVG520NX | | ACMX854 | 32 |
| ACUN160 | | ACUN160 | 32 |
| ACVG520 | 32 | | |
| ACVG557N | 10 | | |
| ACVG644 | 7 | | |
| ACUN348 | 1 | | |
| ACVG45 OF 001/00001 OR ACGSL045 OF 001/00001 OR ACUN045 | | | MAX 800 mm (B) |
| ACVG534 | | | MAX 800 mm (2x FB) |
| ACVG531 | 4 | | |
| ACVG528 | 6 | | |
| ACGSL057 | 2 | | |
| ACUG830 | 1 | | |
| ACUG831 | 1 | | |
| ACVG780 | 1 | | |

| | |
|---------|----|
| ACMX853 | 16 |
| ACUN161 | 16 |
| ACMX854 | 32 |
| ACUN160 | 32 |

| | | |
|----|--|--------|
| FB | VLEUGELBREEDTE LARGEUR VANTAIL BREITE FLUGEL WIDTH SASH | B/2-11 |
| FH | VLEUGELHOOGTE HAUTEUR D'OUVRANT FLUGEL HOHE VENT HEIGHT | H-87 |

GLASMATEN / DIMENSIONS DES VITRAGES / GLASSMASSE / GLASS SIZE

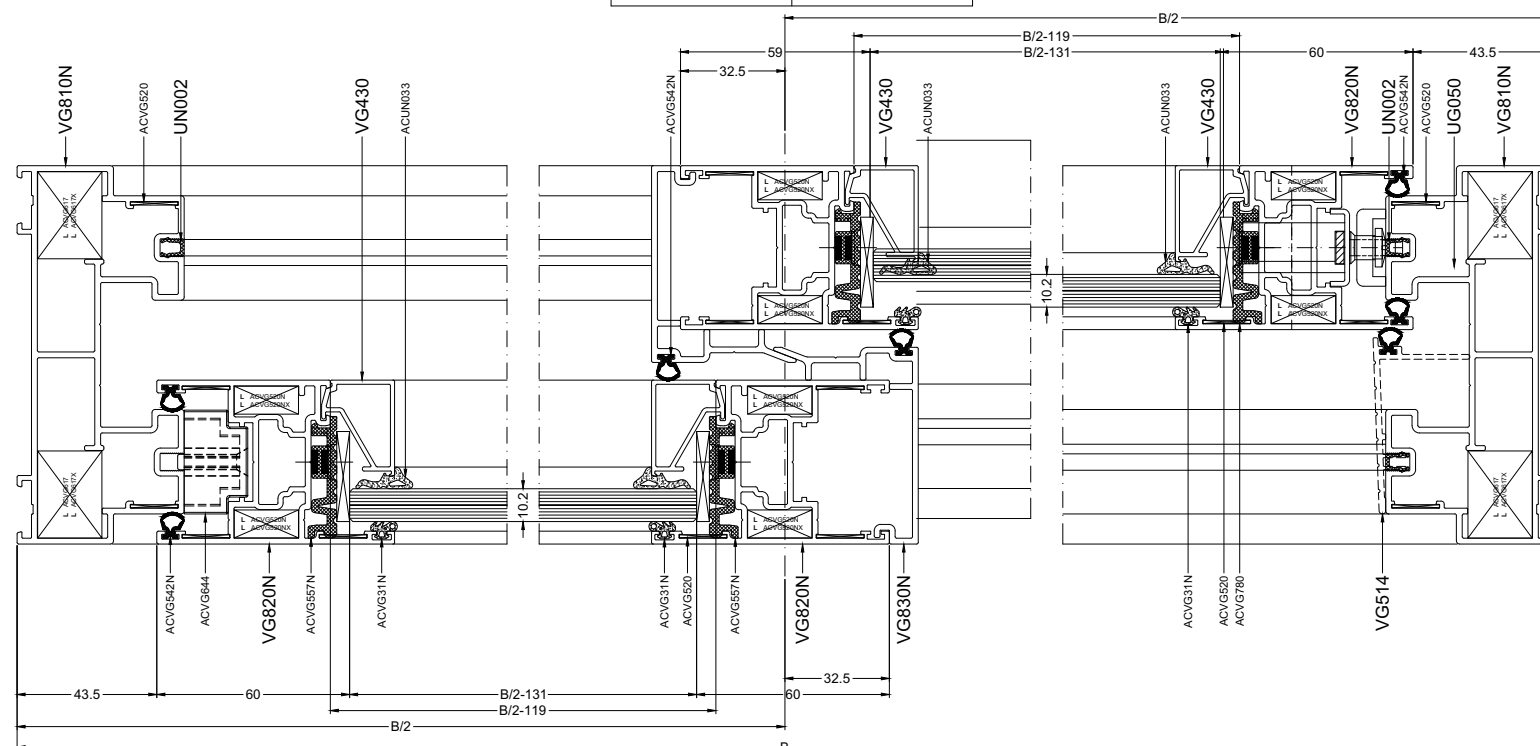
| | | |
|----|---------|-------|
| 2X | B/2-131 | H-207 |
|----|---------|-------|

MAXIMAAL VLEUGELGEWICHT
 POIDS MAXIMUM PAR VANTAIL
 MAXIMAL FLUGELGEWICHT
 MAX. WEIGHT OF THE VENT

| | | |
|----------|---|----------|
| ACVG010N | 2 | > 250 KG |
| ACVG110N | 2 | > 200 KG |

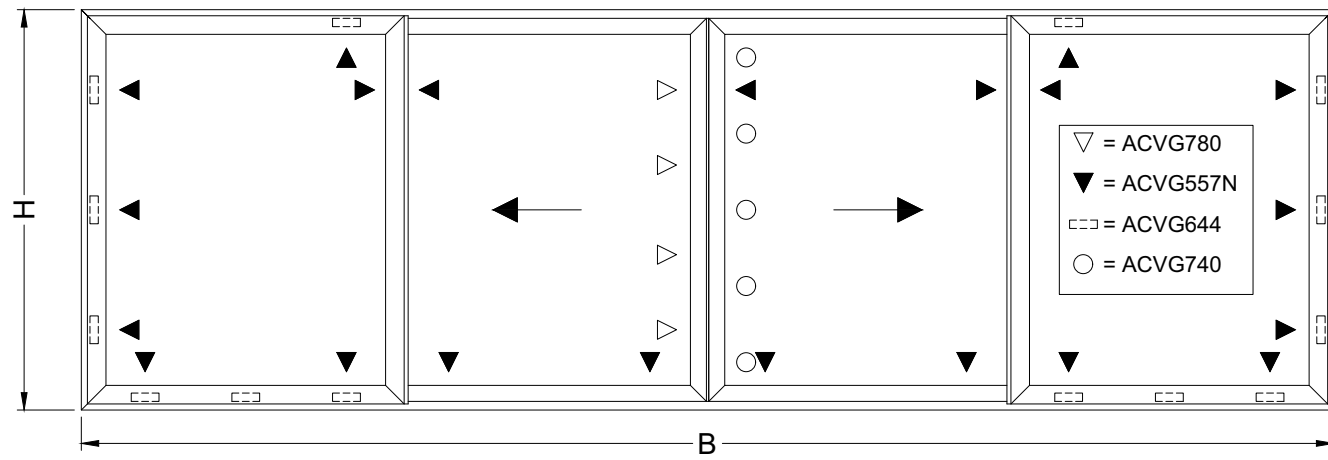
| | |
|--|------------|
| ACVG542N OF 001/00001 OR ACVG642 | 6H+4B-500 |
| ACVG31N | 4H+2B-1300 |
| ACUN033 (3 - 5 mm) | 4H+2B-1300 |
| ACUN036 (6 - 8 mm) | 4H+2B-1300 |

OVERZICHT SLOTEN, ZIE SZ CATALOGUS
 APERCU SERRURES, VOIR LE CATALOGUE SZ
 OVERVIEW LOCKS, SEE SZ CATALOG
 UEBERSICHT SCHLOSSER, SIEHE SZ KATALOG



VG810N-2RAIL-1F-20

VG810N-2RAIL-1F-20X20-1F



PROFIELN / PROFILES / PROFILS / PROFILS

| | | | | |
|-----------|--|---|--|----------|
| VG810N | | 2 | | B |
| | | 2 | | H |
| VG820N | | 8 | | B/4+8.75 |
| | | 8 | | H-87 |
| VG830N | | 4 | | H-87 |
| (*) VG542 | | 1 | | H-87 |

| | | | | |
|-------|--|---|--|-----------|
| VG4XX | | 8 | | B/4-99.25 |
| | | 8 | | H-235 |

| | | | | |
|---------|--|---|--|------|
| VG53(A) | | 1 | | B-94 |
|---------|--|---|--|------|

| | | | | |
|-------------------------------|--|---|--|--------|
| UN002 or UN002C or VG52 | | 1 | | B-104 |
| | | 2 | | B/2-60 |
| | | 2 | | H-104 |

OPTIONEEL / EN OPTION / FAKULTATIV / OPTIONAL

| | | | | |
|---------|--|---|--|---------|
| UN075 | | 1 | | B-9 |
| ACUN075 | | 1 | | |
| ACVL061 | | | | B/300+2 |

TOEBEHOREN / ACCESSOIRES ZUBEHORTEILE / ACCESSORIES

| | | |
|-----------|-------|-----------------------|
| ACVG617 | 8 | |
| ACVG617X | 8 | ACMX853 ACUN161 16 |
| ACVG520N | 32 | |
| ACVG520NX | 32 | ACMX854 ACUN160 64 |
| ACVG520 | 56 | |
| ACVG557N | 21 | |
| ACUN644 | 14 | |
| ACUN348 | 2 | |
| ACVG543 | 1 | |
| ACVG45 | | MAX 800 mm (B) |
| ACGSL045 | | |
| ACUN045 | | |
| ACVG534 | | MAX 800 mm (4x FB) |
| ACVG531 | 8 | |
| ACVG528 | 12 | |
| ACGSL057 | 4 | |
| ACUG830 | 2 | |
| ACUG831 | 2 | |
| ACVG780 | 1 | |
| ACVG740 | H/300 | |
| ACVG580 | 1 | |
| ACVG81 | 1 | |

| | | |
|----|--|----------|
| FB | VLEUGELBREEDTE LARGEUR VANTAIL BREITE FLUGEL WIDTH SASH | B/4+8.75 |
| FH | VLEUGELHOOGTE HAUTEUR D'OUVRANT FLUGEL HOHE VENT HEIGHT | H-87 |

GLASMATEN / DIMENSIONS DES VITRAGES / GLASMASSE / GLASS SIZE

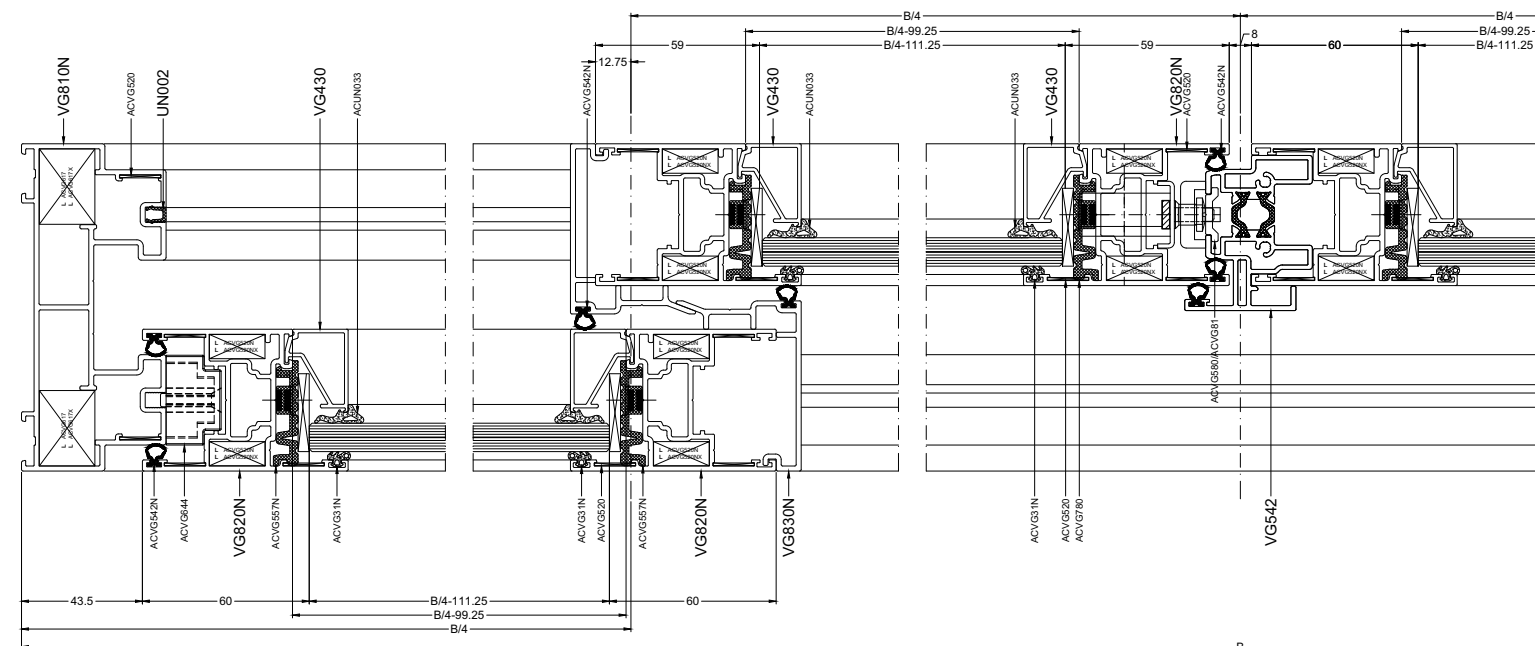
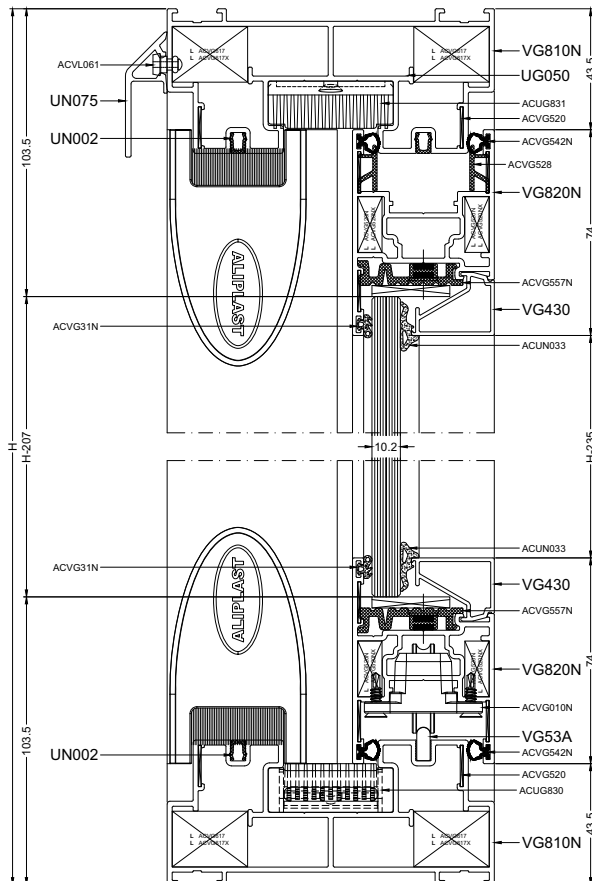
| | | |
|-----------|------------|-------|
| 4X | B/4-111.25 | H-207 |
|-----------|------------|-------|

MAXIMAAL VLEUGELGEWICHT
POIDS MAXIMUM PAR VANTAIL
MAXIMAL FLUGELGEWICHT
MAX. WEIGHT OF THE VENT

| | | |
|----------|---|----------|
| ACVG010N | 4 | → 250 KG |
| ACVG110N | 4 | → 200 KG |

| | |
|--------------------|-------------|
| ACVG542N | 11H+4B-1000 |
| ACVG642 | 11H+4B-1000 |
| ACVG31N | 8H+2B-2400 |
| ACUN033 (3 - 5 mm) | 8H+2B-2400 |
| ACUN036 (6 - 8 mm) | 8H+2B-2400 |

OVERZICHT SLOTEN, ZIE SZ CATALOGUS
APERCU SERRURES, VOIR LE CATALOGUE SZ
OVERVIEW LOCKS, SEE SZ CATALOG
UEBERSICHT SCHLOSSER, SIEHE SZ KATALOG



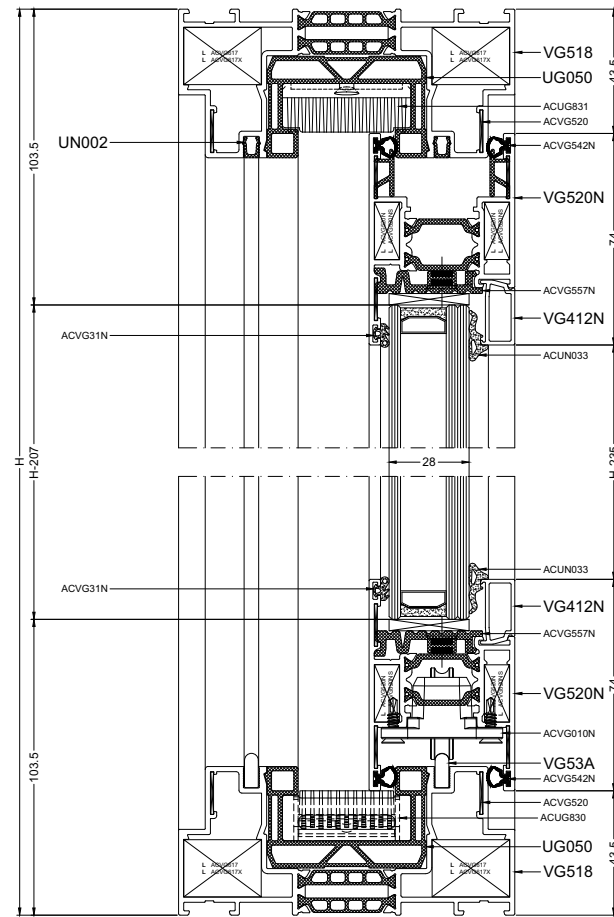
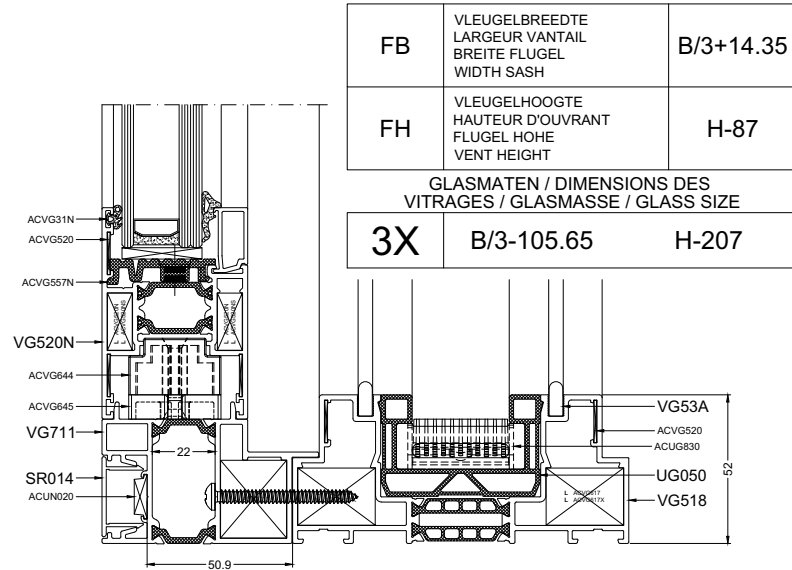
VG810N-2RAIL-1F-20X20-1F

aliplast
member of



VG500

VG518+VG711-1F-20-30



PROFIELEN / PROFILES / PROFILS / PROFILS

| | | | | |
|--------|--|---|--|-----------|
| VG518 | | 2 | | B |
| | | 2 | | H |
| UG050 | | 2 | | B-33 |
| | | 2 | | H-33 |
| VG711 | | 1 | | B/3+57.85 |
| | | 1 | | H |
| | | 1 | | B/3+57.85 |
| SR014 | | 1 | | B/3+55.5 |
| | | 1 | | H-4.7 |
| | | 1 | | B/3+55.5 |
| VG520N | | 6 | | B/3+14.35 |
| | | 6 | | H-87 |
| VG530 | | 3 | | H-87 |
| VG551R | | 4 | | H-87 |

| | | | | |
|-------|--|---|--|-----------|
| VG4XX | | 6 | | B/3-93.65 |
| | | 6 | | H-235 |

| | | | | |
|---------|--|---|--|------|
| VG53(A) | | 2 | | B-94 |
|---------|--|---|--|------|

| | | | | |
|-------|--|---|--|-------|
| UN002 | | 2 | | B-104 |
| VG52 | | 4 | | H-104 |

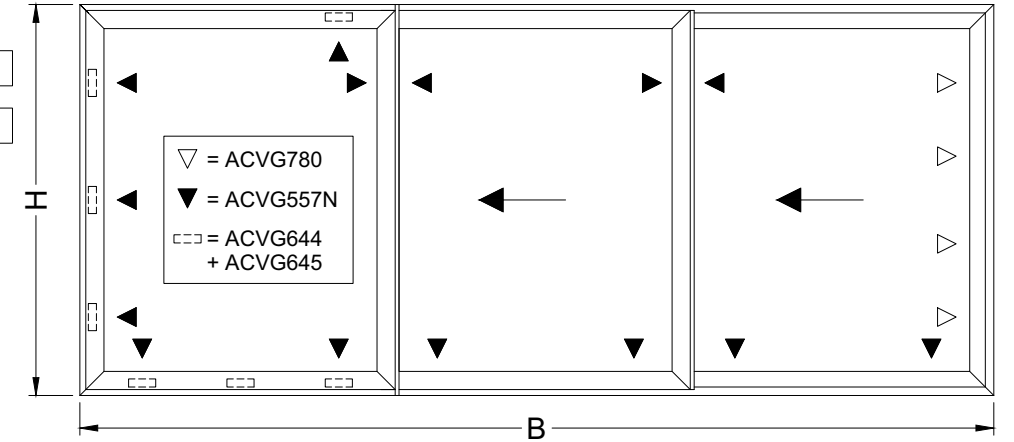
OPTIONEEL / EN OPTION / FAKULTATIV / OPTIONAL

| | | | | |
|---------|--|---|--|-------|
| VG586 | | 4 | | H-87 |
| ACVG642 | | 4 | | H-300 |

TOEBEHOREN / ACCESSOIRES ZUBEHOERTEILE / ACCESSORIES

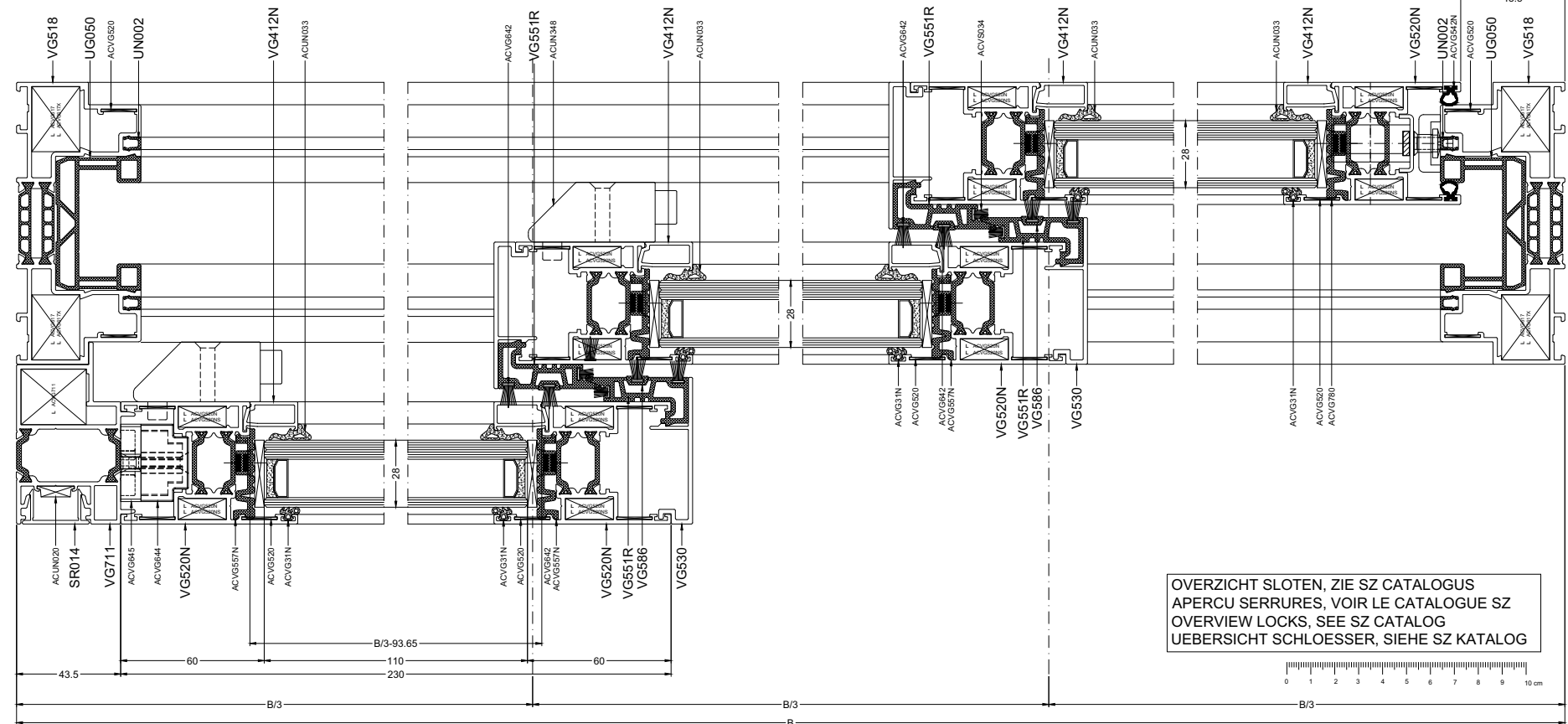
| | | | | |
|-----------|--|--------------------|---------|----|
| ACVG617 | | 8 | ACMX853 | 16 |
| ACVG617X | | 8 | ACUN161 | 16 |
| ACVG520N | | 24 | ACMX854 | 48 |
| ACVG520NX | | 24 | ACUN160 | 48 |
| ACVG711 | | 2 | | |
| ACUN020 | | 2 | | |
| ACVG520 | | 46 | | |
| ACVG557N | | 14 | | |
| ACVG644 | | 8 | | |
| ACVG645 | | 8 | | |
| ACUN348 | | 2 | | |
| ACVG45 | | MAX 800 mm (B) | | |
| ACGSL045 | | MAX 800 mm (2x FB) | | |
| ACUN045 | | | | |
| ACVG534 | | MAX 800 mm (2x FB) | | |
| ACVG528 | | 12 | | |
| ACVG531 | | 6 | | |
| ACUG830 | | 1 | | |
| ACUG831 | | 2 | | |
| ACVG730 | | 1 | | |
| ACVG780 | | 1 | | |

| | | | |
|----------|--|---|----------|
| ACVG010N | | 4 | → 250 KG |
| ACVG110N | | 4 | → 200 KG |



| | |
|--------------------|-------------|
| ACVG542N | 6H+8B/3-350 |
| ACVG642 | 6H+8B/3-350 |
| ACVG31N | 6H+2B-1800 |
| ACUN033 (4 - 5 mm) | 6H+2B-1800 |
| ACUN036 (6 - 8 mm) | 6H+2B-1800 |
| ACVS034 | 4H-300 |

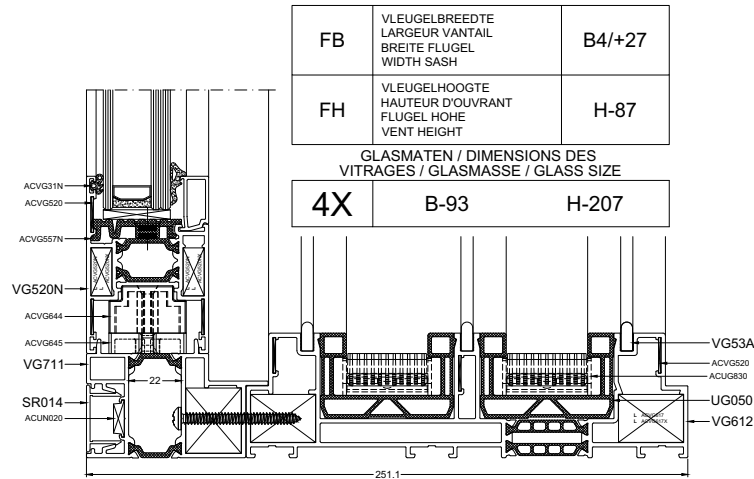
MAXIMAAL VLEUGELGEWICHT
POIDS MAXIMUM PAR VANTAIL
MAXIMAL FLUGELGEWICHT
MAX. WEIGHT OF THE VENT



OVERZICHT SLOTEN, ZIE SZ CATALOGUS
APERCU SERRURES, VOIR LE CATALOGUE SZ
OVERVIEW LOCKS, SEE SZ CATALOG
UEBERSICHT SCHLOSSER, SIEHE SZ KATALOG



VG612+VG711-1F-20-30-40



PROFIELN / PROFILES / PROFILS / PROFILS

| | | |
|--------|---|----------|
| VG612 | 2 | B |
| | 2 | H |
| UG050 | 2 | B-33 |
| | 2 | H-33 |
| VG711 | 1 | B/4+70.5 |
| | 1 | H |
| | 1 | B/4+70.5 |
| SR014 | 1 | B/4+68.2 |
| | 1 | H-4.7 |
| | 1 | B/4+68.2 |
| VG520N | 8 | B/4+27 |
| | 8 | H-87 |
| VG530 | 5 | H-87 |
| VG551R | 1 | H |
| | 6 | H-87 |

OPTIONEEL / EN OPTION / FAKULTATIV / OPTIONAL

| | | |
|-------|---|--------|
| VG4XX | 8 | B/4-81 |
| | 8 | H-235 |

| | | |
|---------|---|------|
| VG53(A) | 3 | B-94 |
|---------|---|------|

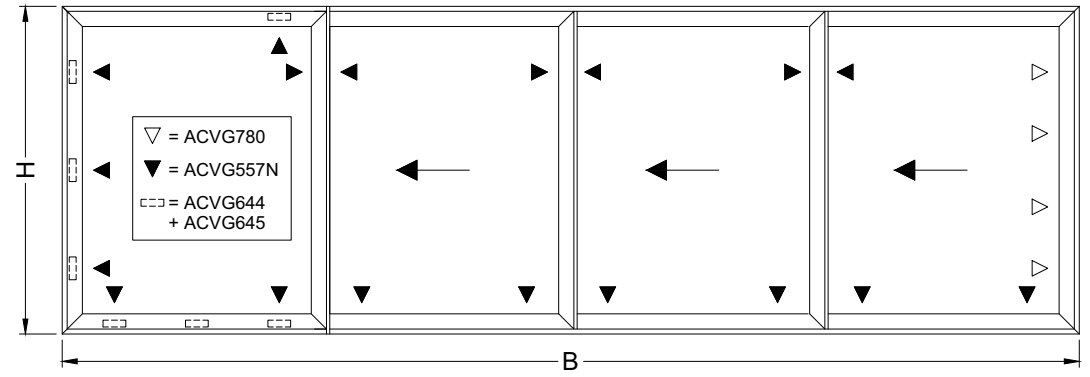
| | | |
|-------|---|-------|
| UN002 | 3 | B-104 |
| VG52 | 6 | H-104 |

| | | |
|-------|---|------|
| VG586 | 6 | H-87 |
|-------|---|------|

| | |
|---------|--------|
| ACVG642 | 6H-450 |
|---------|--------|

TOEBEHOREN / ACCESSOIRES ZUBEHÖRTEILE / ACCESSORIES

| | |
|-----------|----|
| ACVG617 | 8 |
| ACVG617X | 8 |
| ACVG520N | 32 |
| ACVG520NX | 32 |
| ACVG711 | 2 |
| ACUN020 | 2 |
| ACVG520 | 60 |
| ACVG557N | 18 |
| ACVG644 | 7 |
| ACVG645 | 7 |
| ACUN348 | 3 |
| ACVG45 | |
| ACGSL045 | |
| ACUN045 | |
| ACVG534 | |
| ACVG528 | 18 |
| ACVG531 | 10 |
| ACUG830 | 4 |
| ACVG730 | 1 |
| ACVG780 | 1 |

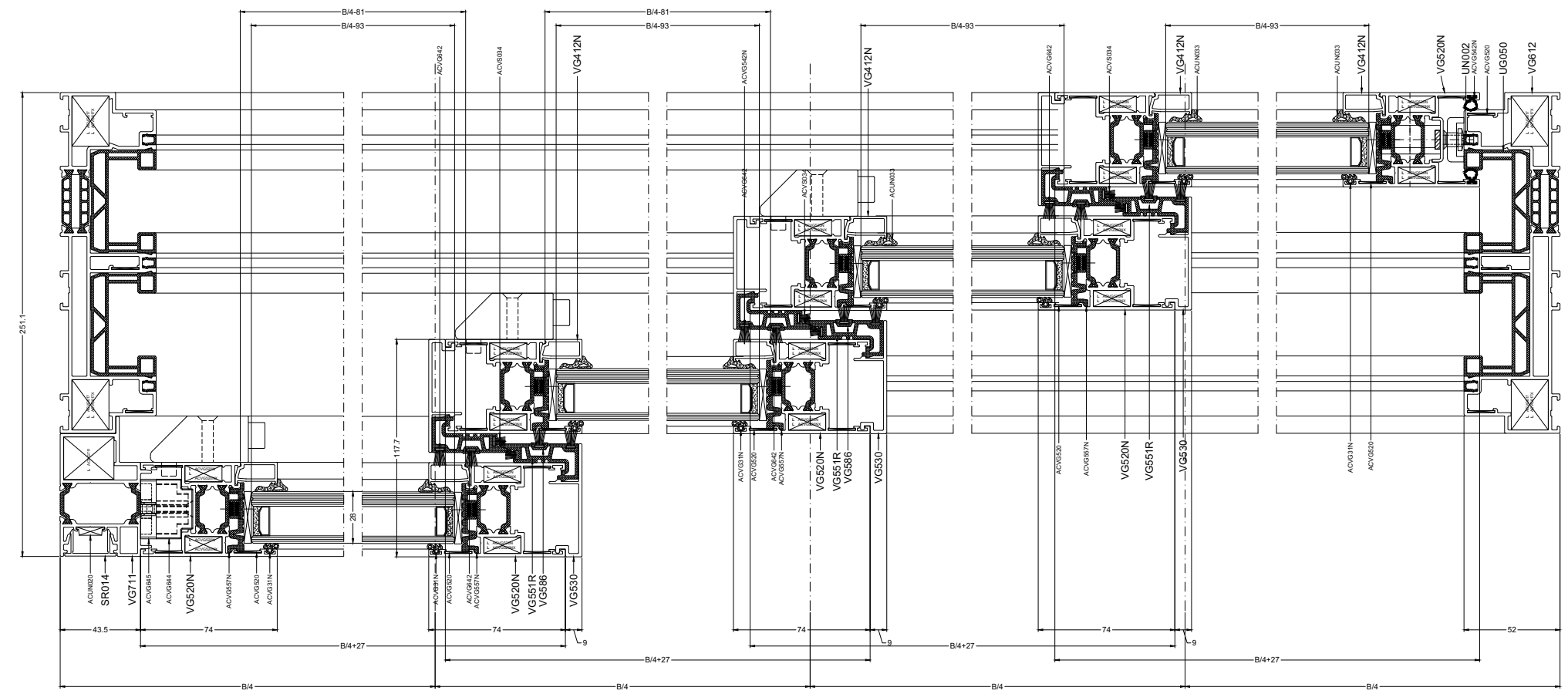
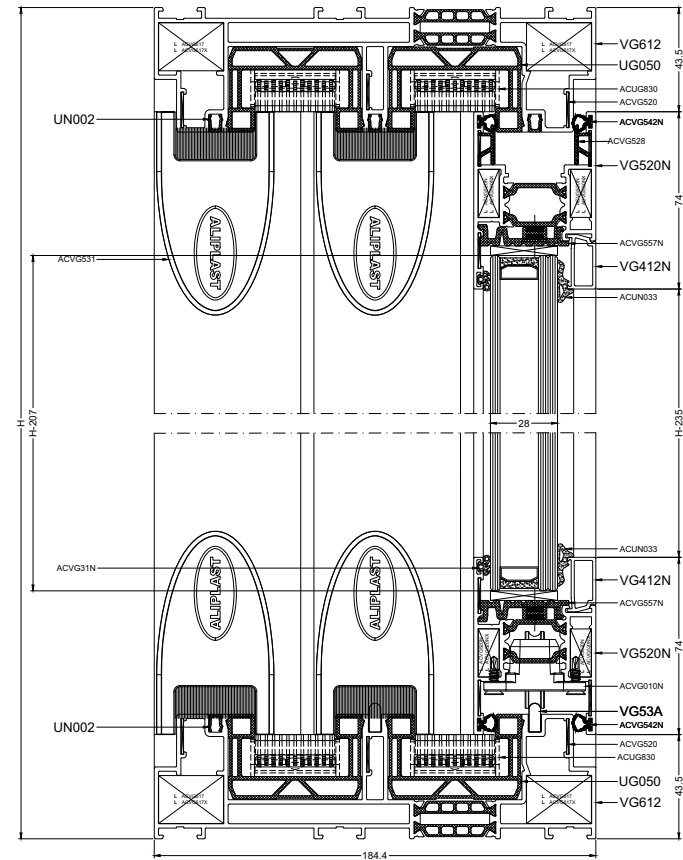


MAXIMAAL VLEUGELGEWICHT
POIDS MAXIMUM PAR VANTAIL
MAXIMAL FLUGELGEWICHT
MAX. WEIGHT OF THE VENT

→ 250 KG
→ 200 KG

| | |
|------------------|-------------|
| ACVG542N | 11H+4B-1000 |
| ACVG642 | 8H+2B-2400 |
| ACUN033 (3-5 mm) | 8H+2B-2400 |
| ACUN036 (6-8 mm) | 8H+2B-2400 |
| ACVS034 | 6H-450 |

OVERZICHT SLOTEN, ZIE SZ CATALOGUS
APERCU SERRURES, VOIR LE CATALOGUE SZ
OVERVIEW LOCKS, SEE SZ CATALOG
UEBERSICHT SCHLÖESSER, SIEHE SZ KATALOG



VG612(-VG711)-1F-20-30-40

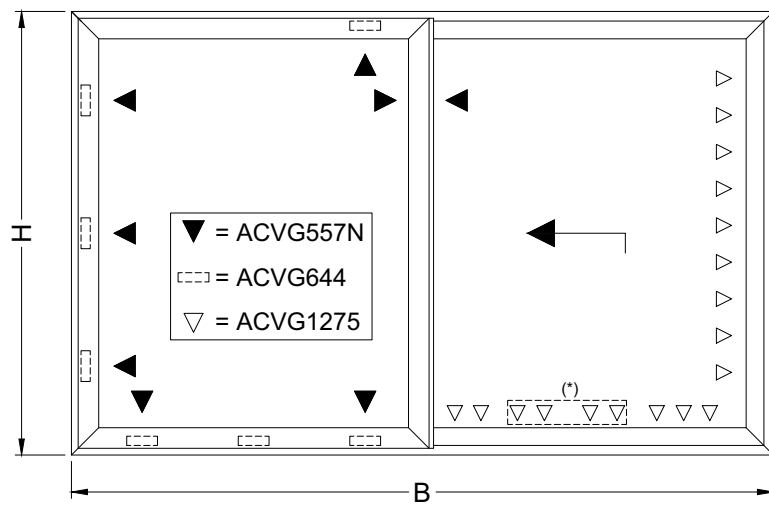


ZAAGTABELLEN - COUPES ET DEBITS - ZUSCHNITTSTABELLEN - FABRICATION CHARTS

VG500

VG500 - HS

VG518 - 2RAIL - 1F - 20 (LS)



PROFIELN / PROFILES / PROFILS / PROFILS

| | | | | |
|--------|--|---|--|-------|
| VG518 | | 2 | | B |
| | | 2 | | H |
| UG050 | | 2 | | B-33 |
| | | 2 | | H-33 |
| VG521N | | 4 | | B/2-3 |
| | | 4 | | H-87 |
| VG530 | | 2 | | H-87 |
| VG553N | | 2 | | H-87 |
| UG852 | | 2 | | H-87 |

| | | | | |
|-------|--|---|--|---------|
| VG4XX | | 4 | | B/2-143 |
| | | 4 | | H-267 |

| | | | | |
|---------|--|---|--|------|
| VG53(A) | | 1 | | B-94 |
|---------|--|---|--|------|

| | | | | |
|-------|--|---|--|----------|
| UN002 | | 1 | | B-104 |
| VG52 | | 2 | | B/2-70.3 |
| | | 3 | | H-104 |

OPTIONEEL / EN OPTION / FAKULTATIV / OPTIONAL

| | | | | |
|---------|--|---|--|---------|
| UN075 | | 1 | | B-9 |
| ACUN075 | | 1 | | |
| ACVL061 | | | | B/300+2 |

TOEBEHOREN / ACCESSOIRES ZUBEHÖRTEILE / ACCESSORIES

| | | | |
|-----------|--|----|-----------------------|
| ACVG617 | | 8 | |
| ACVG617X | | | ACMX853 ACUN161 16 |
| ACVG521N | | 16 | |
| ACVG521NX | | | ACMX854 ACUN160 32 |
| ACVG520 | | 32 | |
| ACVG557N | | 8 | |
| ACVG644 | | 7 | |
| ACUN348 | | 1 | |
| ACVG45 | | | MAX 800 mm (B) |
| ACGSL045 | | | |
| ACUN045 | | | |
| ACVG534 | | | MAX 800 mm (2x FB) |
| ACVG528 | | 6 | |
| ACVG531 | | 4 | |
| ACUG830 | | 1 | |

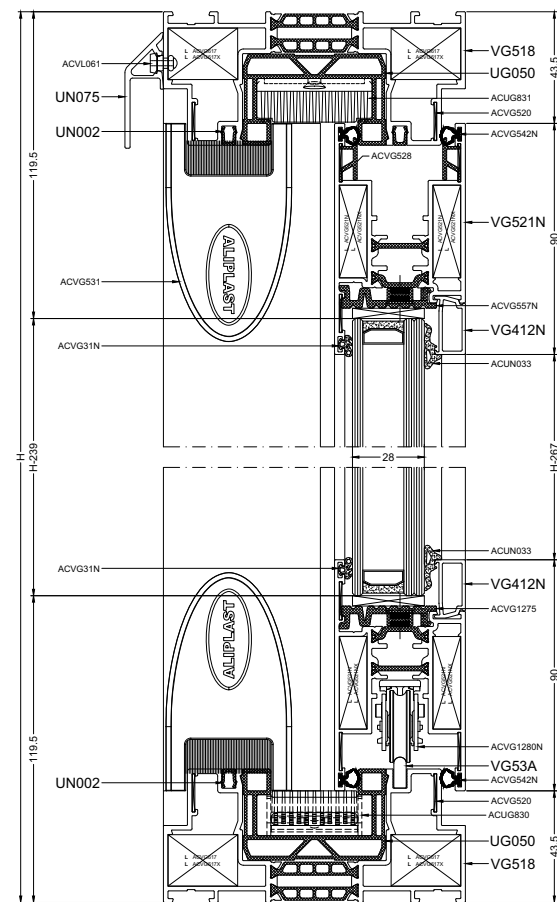
| | |
|--------------------|------------|
| ACUG831 | 1 |
| ACVG542N | 4H+4B-350 |
| ACVG642 | |
| ACVG31N | 4H+2B-1500 |
| ACUN033 (3 - 5 mm) | 4H+2B-1500 |
| ACUN036 (6 - 8 mm) | 4H+2B-1500 |
| ACVG642 | 4H-80 |

| | | |
|----|--|-------|
| FB | VLEUGELBREEDTE LARGEUR VANTAIL BREITE FLUGEL WIDTH SASH | B/2-3 |
| FH | VLEUGELHOOGTE HAUTEUR D'OUVRANT FLUGEL HOHE VENT HEIGHT | H-87 |

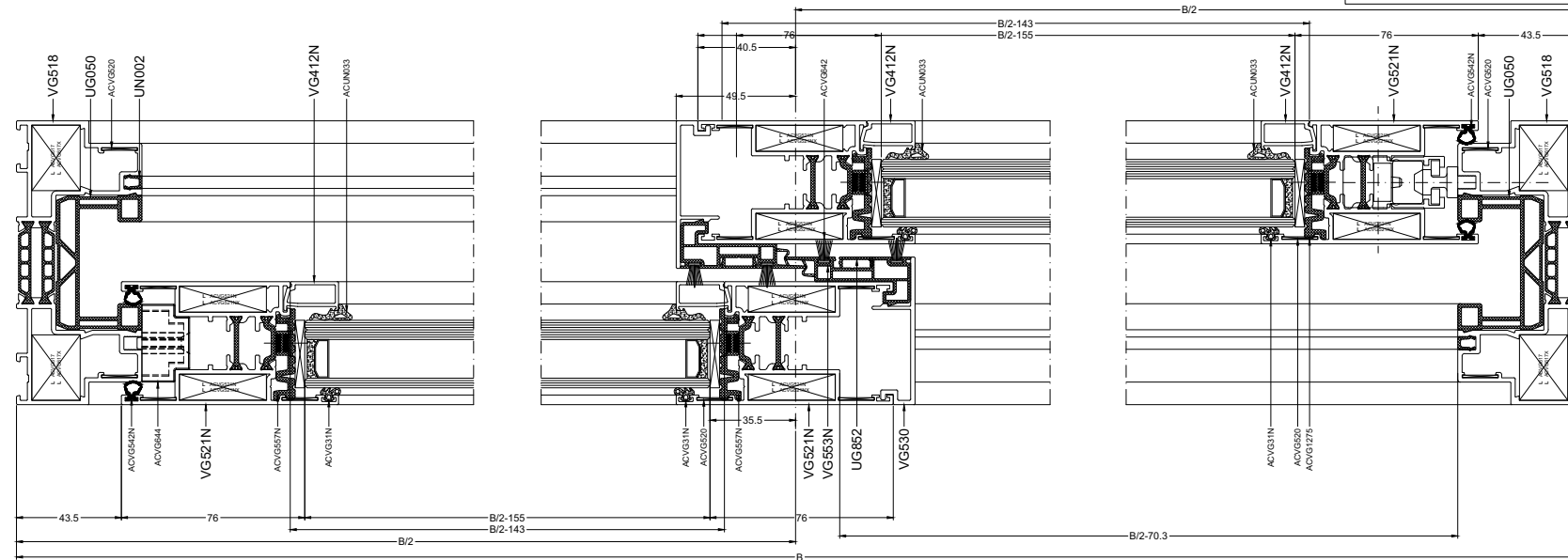
GLASMATEN / DIMENSIONS DES VITRAGES / GLASSMASSE / GLASS SIZE

| | | |
|----|---------|-------|
| 2X | B/2-155 | H-239 |
|----|---------|-------|

OVERZICHT HANDGREPEN, ZIE SZ CATALOGUS
APERCU POIGNEES, VOIR LE CATALOGUE SZ
OVERVIEW HANDLES, SEE SZ CATALOG
UEBERSICHT HANDGRIF, SIEHE SZ KATALOG



VG518-2RAIL-1F-20(LS-HS)



MAXIMAAL VLEUGELGEWICHT
POIDS MAXIMUM PAR VANTAIL
MAXIMAL FLUGELGEWICHT
MAX. WEIGHT OF THE VENT

250KG

| | |
|----------------|-------|
| ACVG1280N | 1 |
| ACVG1275 | 14 |
| ACVG1277...279 | FH-97 |

| | | |
|------------------------|----------|---|
| 1898 mm < FH < 2197 mm | ACVG1277 | 1 |
| 2198 mm < FH < 2497 mm | ACVG1278 | |
| 2498 mm < FH < ... | ACVG1279 | |
| 700 mm < FB < 1410 mm | ACUG230 | 1 |
| 1411 mm < FB < 1910 mm | ACUG231 | |
| 1911 mm < FB < 2360 | ACUG232 | |

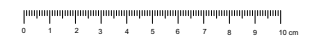
OF
OU
ODER
OR

MAXIMAAL VLEUGELGEWICHT
POIDS MAXIMUM PAR VANTAIL
MAXIMAL FLUGELGEWICHT
MAX. WEIGHT OF THE VENT

300KG

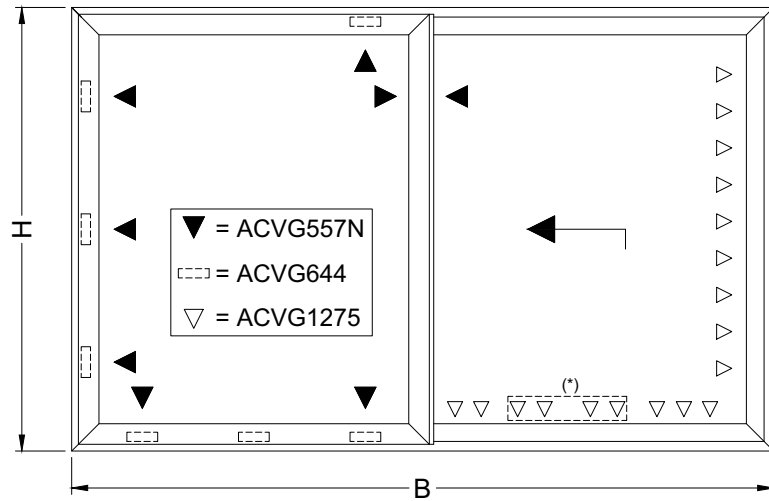
| | |
|----------------|--------|
| ACVG1280N | 1 |
| ACVG1274N | 1 |
| ACVG1275 | 18 (*) |
| ACVG1277...279 | FH-97 |

| | | |
|------------------------|----------|---|
| 1898 mm < FH < 2197 mm | ACVG1277 | 1 |
| 2198 mm < FH < 2497 mm | ACVG1278 | |
| 2498 mm < FH < ... | ACVG1279 | |
| 1280 mm < FB < 2060 mm | ACUG230 | 1 |
| 2061 mm < FB < 2560 mm | ACUG231 | |
| 2561 mm < FB < 3060 mm | ACUG232 | |
| 3061 mm < FB < 3230 mm | ACUG233 | |



VG500 - HS

VG518 - 2RAIL - 1F - 2O (LS) (VG5121-VG5221)



PROFIENEN / PROFILES / PROFILS / PROFILS

| | | | | |
|--------|--|---|--|-------|
| VG518 | | 2 | | B |
| | | 2 | | H |
| UG050 | | 2 | | B-33 |
| | | 2 | | H-33 |
| VG5221 | | 2 | | B/2-3 |
| | | 2 | | H-87 |
| VG5121 | | 2 | | B/2-3 |
| | | 2 | | H-87 |
| VG530 | | 2 | | H-87 |
| VG553N | | 2 | | H-87 |
| UG852 | | 2 | | H-87 |

| | | | | |
|-------|--|---|--|---------|
| VG4XX | | 4 | | B/2-143 |
| | | 4 | | H-267 |

| | | | | |
|---------|--|---|--|------|
| VG53(A) | | 1 | | B-94 |
|---------|--|---|--|------|

| | | | | |
|-------|--|---|--|----------|
| UN002 | | 1 | | B-104 |
| VG52 | | 2 | | B/2-70.3 |
| | | 3 | | H-104 |

OPTIONEEL / EN OPTION / FAKULTATIV / OPTIONAL

| | | | | |
|---------|--|---|--|---------|
| SL076 | | 1 | | B |
| ACVL061 | | | | B/300+2 |

TOEBEHOREN / ACCESSOIRES ZUBEHÖRTEILE / ACCESSORIES

| | | | |
|-----------|--|----|------------|
| ACVG617 | | 8 | |
| ACVG617X | | | 16 |
| ACVG521N | | 16 | |
| ACVG521NX | | | 32 |
| ACVG520 | | 32 | |
| ACVG557N | | 8 | |
| ACVG644 | | 7 | |
| ACUN348 | | 1 | |
| ACVG45 | | | |
| ACGSL045 | | | MAX 800 mm |
| ACUN045 | | | |
| ACVG528 | | 6 | |
| ACVG531 | | 4 | |
| ACUG830 | | 1 | |

| | | |
|--------------------|------------|---|
| ACUG831 | | 1 |
| ACVG542N | 4H+4B-350 | |
| ACVG642 | | |
| ACVG31N | 4H+2B-1500 | |
| ACUN033 (3 - 5 mm) | 4H+2B-1500 | |
| ACUN036 (6 - 8 mm) | | |
| ACVG642 | 4H-80 | |

| | | |
|----|--|-------|
| FB | VLEUGELBREEDTE LARGEUR VANTAIL BREITE FLUGEL WIDTH SASH | B/2-3 |
| FH | VLEUGELHOOGTE HAUTEUR D'OUVRANT FLUGEL HOHE VENT HEIGHT | H-87 |

GLASMATEN / DIMENSIONS DES VITRAGES / GLASSASSE / GLASS SIZE

| | | |
|----|---------|-------|
| 2X | B/2-155 | H-239 |
|----|---------|-------|

OVERZICHT HANDGREPEN, ZIE SZ CATALOGUS
APERCU POIGNEES, VOIR LE CATALOGUE SZ
OVERVIEW HANDLES, SEE SZ CATALOG
UEBERSICHT HANDGRIFF, SIEHE SZ KATALOG

MAXIMAAL VLEUGELGEWICHT
POIDS MAXIMUM PAR VANTAIL
MAXIMAL FLUGELGEWICHT
MAX. WEIGHT OF THE VENT

250KG

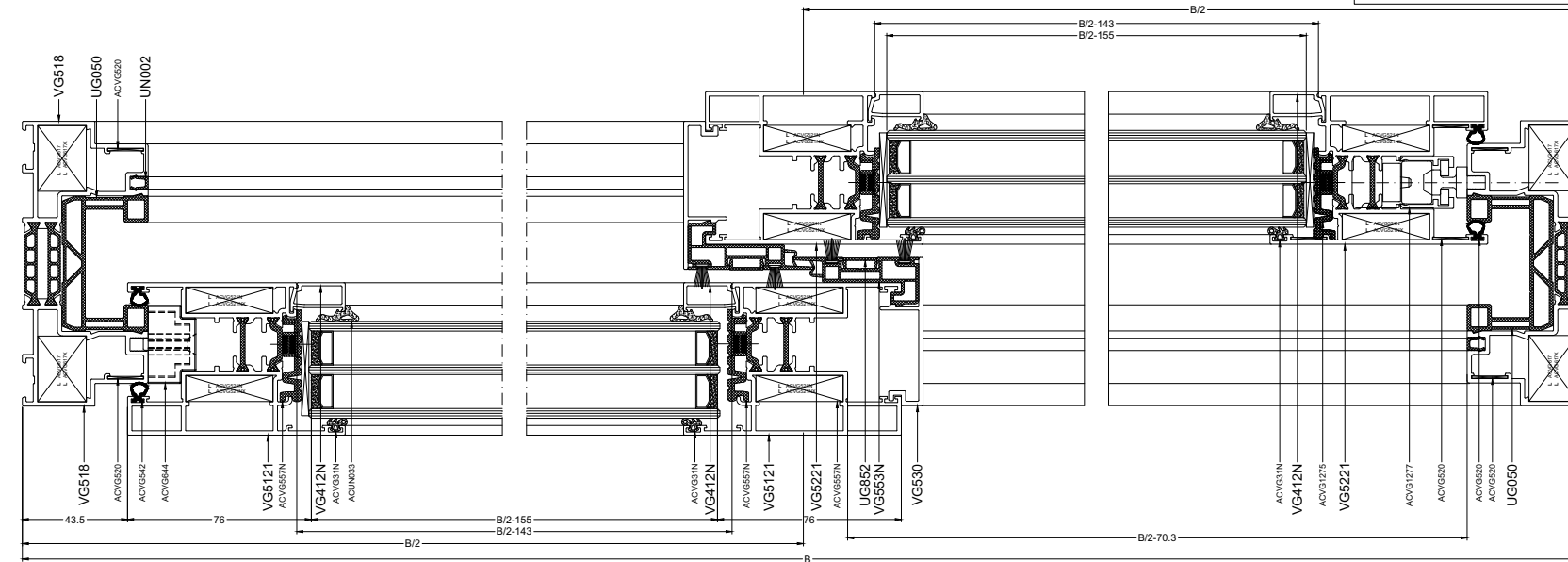
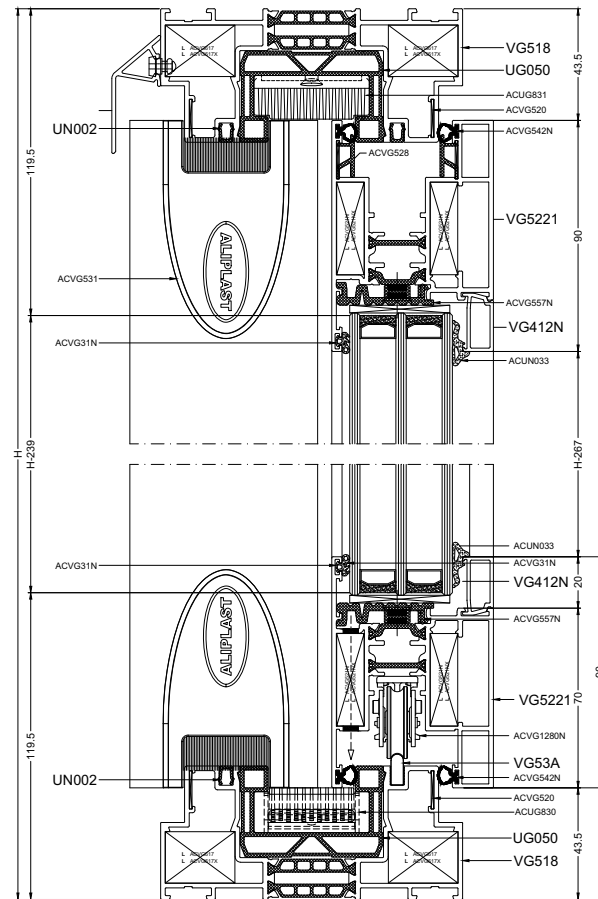
| | |
|------------------------|----------|
| ACVG1280N | 1 |
| ACVG1275 | 14 |
| ACVG1277...279 | FH-97 |
| ACUG230...232 | |
| 1898 mm < FH < 2176 mm | ACVG1277 |
| 2198 mm < FH < 2476 mm | ACVG1278 |
| 2498 mm < FH < ... | ACVG1279 |
| 700 mm < FB < 1410 mm | ACUG230 |
| 1411 mm < FB < 1910 mm | ACUG231 |
| 1911 mm < FB < 2360 | ACUG232 |

OF
OU
OR

MAXIMAAL VLEUGELGEWICHT
POIDS MAXIMUM PAR VANTAIL
MAXIMAL FLUGELGEWICHT
MAX. WEIGHT OF THE VENT

300KG

| | |
|------------------------|----------|
| ACVG1280N | 1 |
| ACVG1274N | 1 |
| ACVG1275 | 18 (*) |
| ACVG1277...279 | FH-97 |
| ACUG230...233 | |
| 1897 mm < FH < 2198 mm | ACVG1277 |
| 2197 mm < FH < 2498 mm | ACVG1278 |
| 2497 mm < FH < ... | ACVG1279 |
| 1280 mm < FB < 2060 mm | ACUG230 |
| 2061 mm < FB < 2560 mm | ACUG231 |
| 2561 mm < FB < 3060 mm | ACUG232 |
| 3061 mm < FB < 3230 mm | ACUG233 |



VG518-2RAIL-1F-2O(LS-HS) VG5121-VG5221

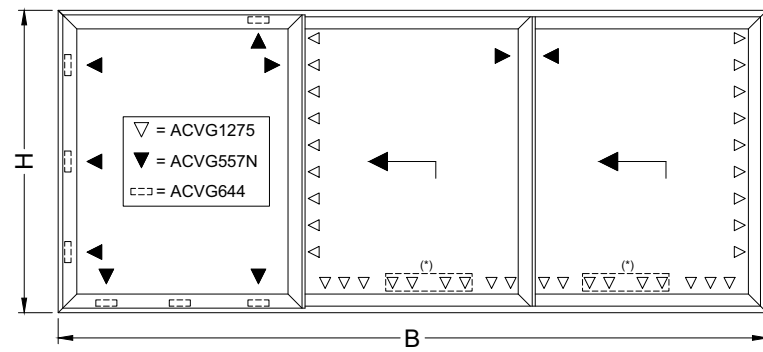
aliplast
member of

CORIALIS

VG500

VG500 - HS

VG612 - 3RAIL - 1F - 20(LS) - 30(LS)



PROFIELEN / PROFILES / PROFILES / PROFILS

| | | | | |
|--------|--|---|--|--------|
| VG612 | | 2 | | B |
| UG050 | | 4 | | B-33 |
| VG521N | | 6 | | B/3+25 |
| VG530 | | 6 | | H-87 |
| VG553N | | 4 | | H-87 |
| UG852 | | 4 | | H-87 |

| | | | | |
|-------|--|---|--|---------|
| VG4XX | | 6 | | B/3-115 |
| | | 6 | | H-267 |

| | | | | |
|---------|--|---|--|------|
| VG53(A) | | 2 | | B-94 |
|---------|--|---|--|------|

| | | | | |
|-------|--|---|--|-----------|
| UN002 | | 2 | | B-104 |
| VG52 | | 2 | | 2B/3-98.3 |
| | | 5 | | H-104 |

OPTIONEEL / EN OPTION / FAKULTATIV / OPTIONAL

| | | | | |
|---------|--|---|--|---------|
| UN075 | | 1 | | B-9 |
| ACUN075 | | 1 | | |
| ACVL061 | | | | B/300+2 |

TOEBEHOREN / ACCESSOIRES ZUBEHÖRTEILE / ACCESSORIES

| | | | | |
|-----------|----|--|--------------------|----|
| ACVG617 | 8 | | ACMX853 ACUN161 | 16 |
| ACVG617X | 8 | | | |
| ACVG521N | 24 | | ACMX854 ACUN160 | 48 |
| ACVG521NX | 24 | | | |
| ACVG520 | 48 | | | |
| ACVG557N | 9 | | | |
| ACVG644 | 7 | | | |
| ACUN348 | 2 | | | |
| ACVG45 | | | | |
| ACGSL045 | | | | |
| ACUN045 | | | | |
| ACVG534 | | | | |
| ACVG531 | 8 | | | |
| ACVG528 | 12 | | | |
| ACUG830 | 2 | | | |
| ACUG831 | 2 | | | |

| | |
|--------------------|------------|
| ACVG542N | 4H+4B |
| ACVG642 | 4H+4B |
| ACVG31N | 6H+2B-2000 |
| ACUN033 (3 - 5 mm) | 6H+2B-2000 |
| ACUN036 (6 - 8 mm) | 6H+2B-2000 |
| ACVG642 | 8H-240 |

| | | |
|----|--|--------|
| FB | VLEUGELBREEDTE LARGEUR VANTAIL BREITE FLUGEL WIDTH SASH | B/3+25 |
| FH | VLEUGELHOOGTE HAUTEUR D'OUVRANT FLUGEL HOHE VENT HEIGHT | H-87 |

GLASMATEN / DIMENSIONS DES VITRAGES / GLASSMASSE / GLASS SIZE

| | | |
|----|---------|-------|
| 3X | B/3-127 | H-239 |
|----|---------|-------|

OVERZICHT HANDGREPEN, ZIE SZ CATALOGUS
APERÇU POIGNÉES, VOIR LE CATALOGUE SZ
OVERVIEW HANDLES, SEE SZ CATALOG
UEBERSICHT HANDGRIFF, SIEHE SZ KATALOG

MAXIMAAL VLEUGELGEWICHT
POIDS MAXIMUM PAR VANTAIL
MAXIMAL FLUGELGEWICHT
MAX. WEIGHT OF THE VENT

250KG

| | |
|----------------|---------|
| ACVG1280N | 2 |
| ACVG1275 | 28 |
| ACVG1277...279 | FH - 97 |

| | | |
|------------------------|----------|---|
| 1898 mm < FH < 2197 mm | ACVG1277 | |
| 2198 mm < FH < 2497 mm | ACVG1278 | 2 |
| 2498 mm < FH < ... | ACVG1279 | |
| 700 mm < FB < 1410 mm | ACUG230 | |
| 1411 mm < FB < 1910 mm | ACUG231 | 2 |
| 1911 mm < FB < 2360 mm | ACUG232 | |

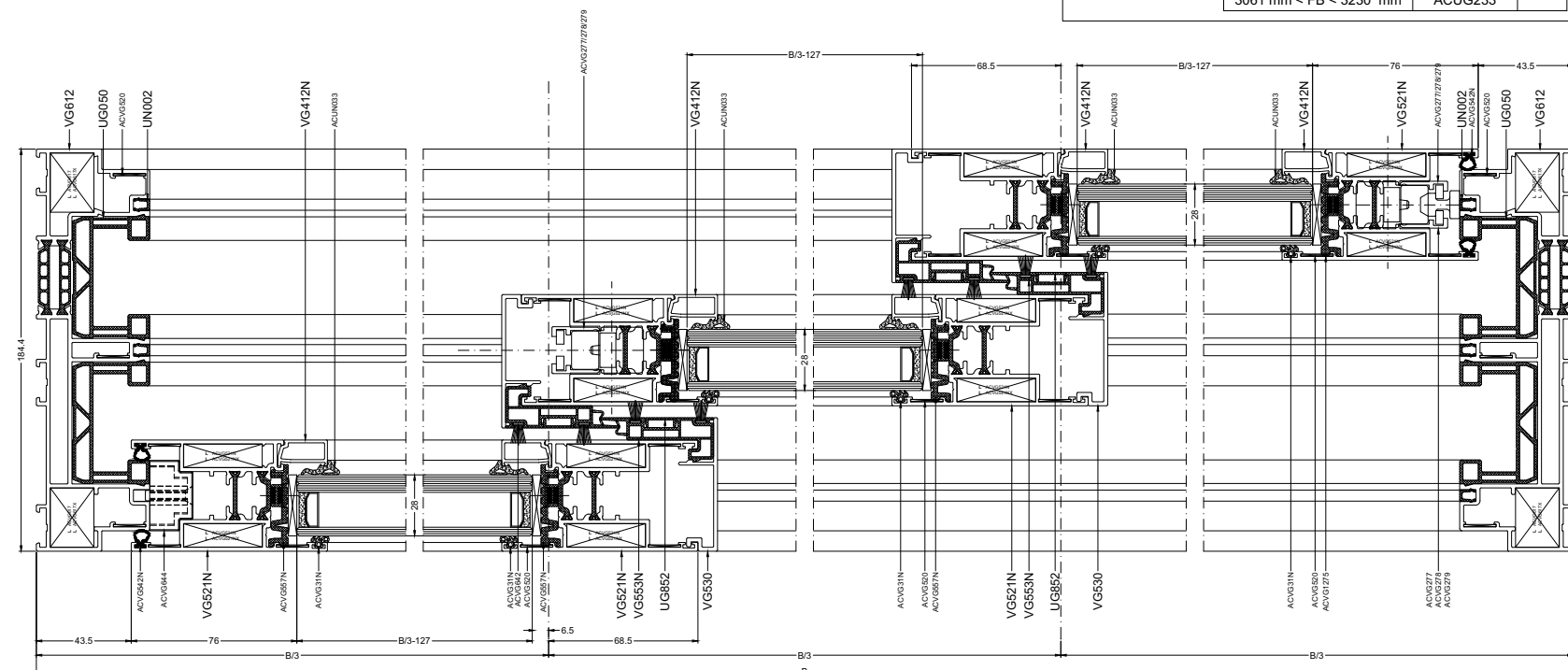
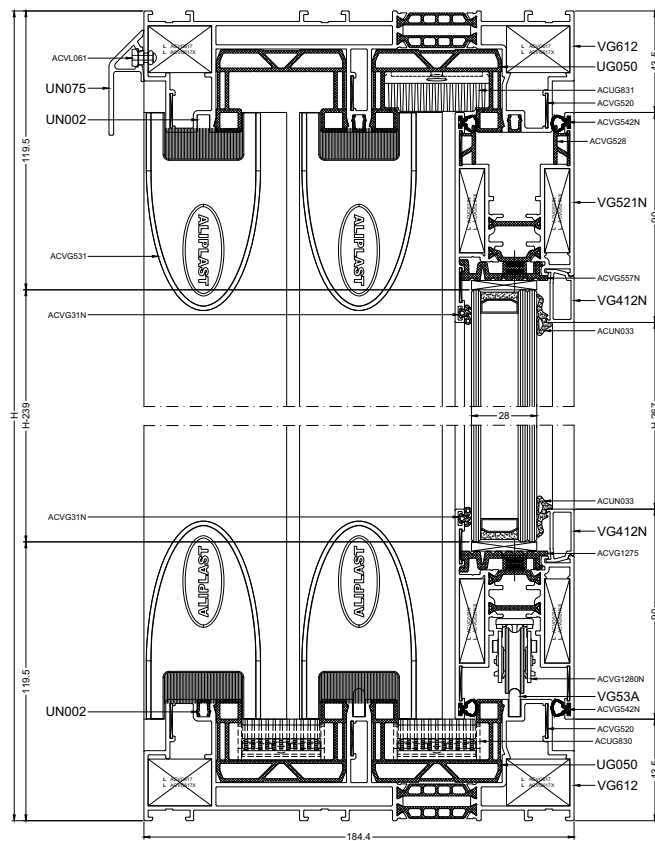
OF
OU
ODER
OR

MAXIMAAL VLEUGELGEWICHT
POIDS MAXIMUM PAR VANTAIL
MAXIMAL FLUGELGEWICHT
MAX. WEIGHT OF THE VENT

300KG

| | |
|----------------|---------|
| ACVG1280N | 2 |
| ACVG1274N | 2 |
| ACVG1275 | 36 (*) |
| ACVG1277...279 | FH - 97 |

| | | |
|------------------------|----------|---|
| 1898 mm < FH < 2197 mm | ACVG1277 | |
| 2198 mm < FH < 2497 mm | ACVG1278 | 2 |
| 2498 mm < FH < ... | ACVG1279 | |
| 1280 mm < FB < 2060 mm | ACUG230 | |
| 2061 mm < FB < 2560 mm | ACUG231 | 2 |
| 2561 mm < FB < 3060 mm | ACUG232 | |
| 3061 mm < FB < 3230 mm | ACUG233 | |

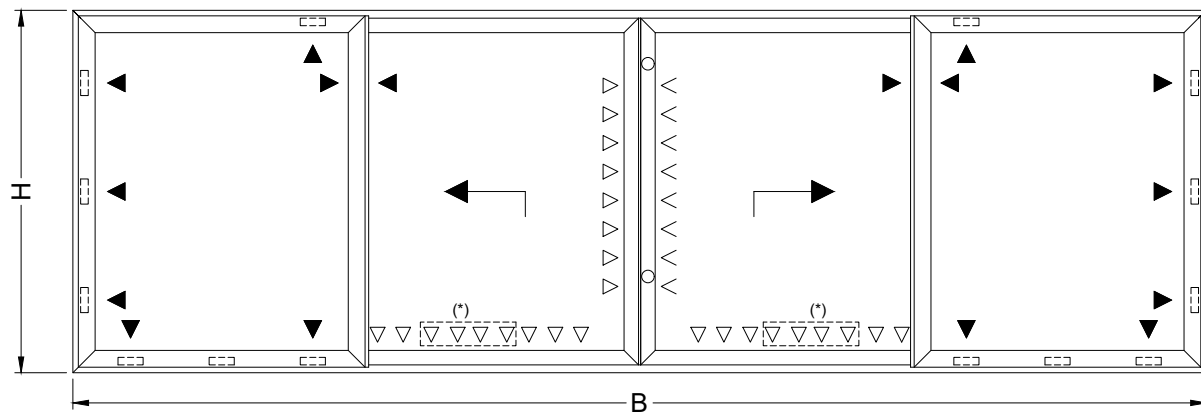


0 1 2 3 4 5 6 7 8 9 10 cm

VG612-3RAIL-1F-20(LS)-30(LS) (HS)

VG500 - HS

VG518 - 2RAIL - 1F - 2O(LS) - 2O(LS) - 1F



- ▽ = ACVG1275
- ∇ = ACVG1276
- ▼ = ACVG557N
- = ACVG644
- = ACVG1240

PROFIELEN / PROFILES / PROFILS / PROFILS

| | | | | |
|-----------|--|---|--|-----------|
| VG518 | | 2 | | B |
| | | 2 | | H |
| UG050 | | 2 | | B-33 |
| | | 2 | | H-33 |
| VG521N | | 8 | | B/4+16.75 |
| | | 8 | | H-87 |
| VG530 | | 4 | | H-87 |
| VG553N | | 4 | | H-87 |
| UG852 | | 4 | | H-87 |
| (*) VG542 | | 1 | | H-87 |

| | | | | |
|-------|--|---|--|------------|
| VG4XX | | 8 | | B/4-123.25 |
| | | 8 | | H-267 |

| | | | | |
|---------|--|---|--|------|
| VG53(A) | | 1 | | B-94 |
|---------|--|---|--|------|

| | | | | |
|-------|--|---|--|----------|
| UN002 | | 1 | | B-104 |
| VG52 | | 2 | | B/2-76.1 |
| | | 2 | | H-104 |

OPTIONEEL / EN OPTION / FAKULTATIV / OPTIONAL

| | | | | |
|---------|--|---|--|---------|
| UN075 | | 1 | | B-9 |
| ACUN075 | | | | 1 |
| ACVL061 | | | | B/300+2 |

TOEBEHOREN / ACCESSOIRES ZUBEHÖRTEILE / ACCESSOIRES

| | | | |
|-----------|--|----|--|
| ACVG617 | | 8 | |
| ACVG617X | | | |
| ACVG521N | | 32 | |
| ACVG521NX | | | |
| ACVG520 | | 56 | |
| ACVG557N | | 16 | |
| ACVG644 | | 14 | |
| ACUN348 | | 2 | |
| ACVG543 | | 1 | |
| ACVG45 | | | |
| ACGSL045 | | | |
| ACUN045 | | | |
| ACVG534 | | | |
| ACVG528 | | 12 | |
| ACVG531 | | 8 | |
| ACUG830 | | 2 | |
| ACUG831 | | 2 | |
| ACUG221 | | 1 | |
| ACVG1240 | | 1 | |
| ACVG1276 | | 1 | |

| | |
|---------|----|
| ACMX853 | 16 |
| ACUN161 | |
| ACMX854 | 64 |
| ACUN160 | |

OVERZICHT HANDGREPEN, ZIE SZ CATALOGUS
APERCU POIGNEES, VOIR LE CATALOGUE SZ
OVERVIEW HANDLES, SEE SZ CATALOG
UEBERSICHT HANDGRIFF, SIEHE SZ KATALOG

| | |
|--------------------|------------|
| ACVG542N | 7H+4B-300 |
| ACVG642 | |
| ACVG31N | 8H+2B-2900 |
| ACUN033 (3 - 5 mm) | 8H+2B-2900 |
| ACUN036 (6 - 8 mm) | 8H+2B-2900 |
| ACVG642 | 8H-250 |

GLASMATEN / DIMENSIONS DES VITRAGES / GLASSMASSE / GLASS SIZE

| | | |
|----|------------|-------|
| 4X | B/4-135.25 | H-239 |
|----|------------|-------|

| | | |
|----|---|-----------|
| FB | VLEUGELBREEDETE LARGEUR VANTAIL BREITE FLUGEL WIDTH SASH | B/4+16.75 |
| FH | VLEUGELHOOGTE HAUTEUR D'OUVRANT FLUGEL HOHE VENT HEIGHT | H-87 |

MAXIMAAL VLEUGELGEWICHT
POIDS MAXIMUM PAR VANTAIL
MAXIMAL FLUGELGEWICHT
MAX. WEIGHT OF THE VENT

250KG

| | |
|-----------|----|
| ACVG1280N | 2 |
| ACVG1275 | 18 |

ACVG1277...279 FH-97

| | | |
|------------------------|----------|---|
| 1898 mm < FH < 2197 mm | ACVG1277 | 2 |
| 2198 mm < FH < 2497 mm | ACVG1278 | |
| 2498 mm < FH < ... | ACVG1279 | |

ACUG230...232

| | | |
|------------------------|---------|---|
| 700 mm < FB < 1410 mm | ACUG230 | 2 |
| 1411 mm < FB < 1910 mm | ACUG231 | |
| 1911 mm < FB < 2360 | ACUG232 | |

OF
OU
ODER
OR

MAXIMAAL VLEUGELGEWICHT
POIDS MAXIMUM PAR VANTAIL
MAXIMAL FLUGELGEWICHT
MAX. WEIGHT OF THE VENT

300KG

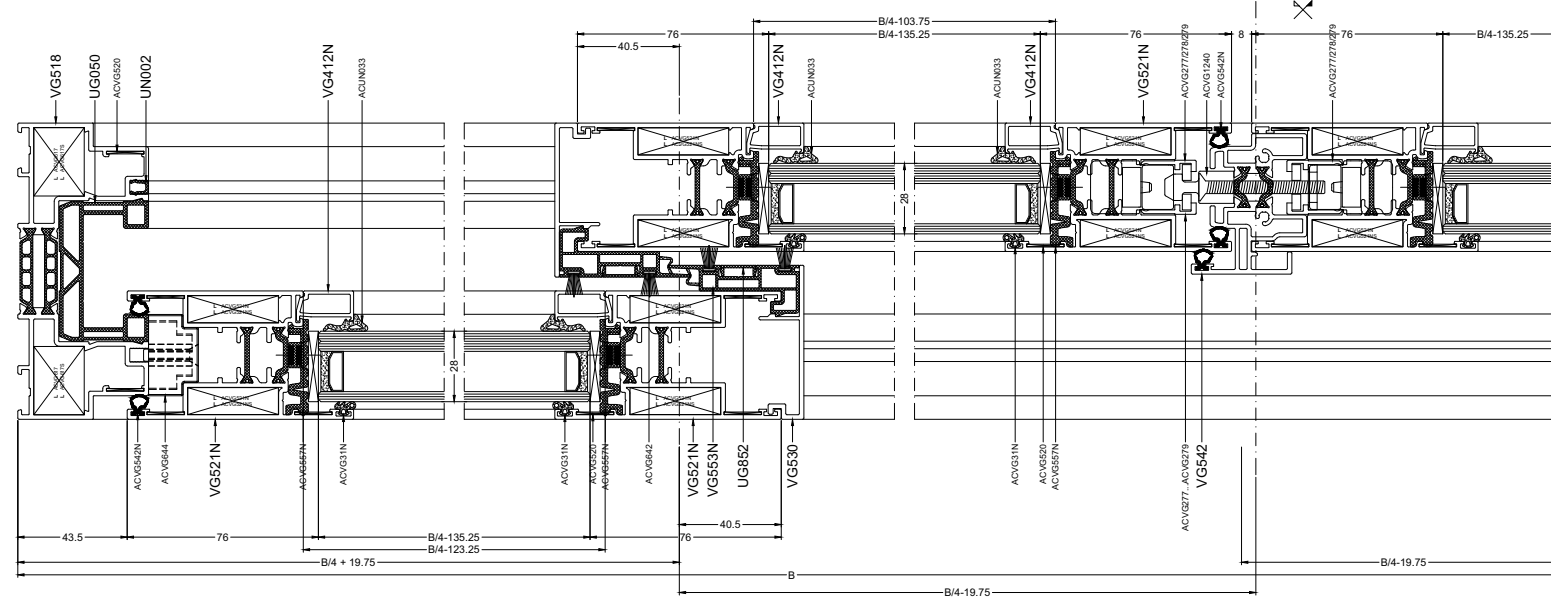
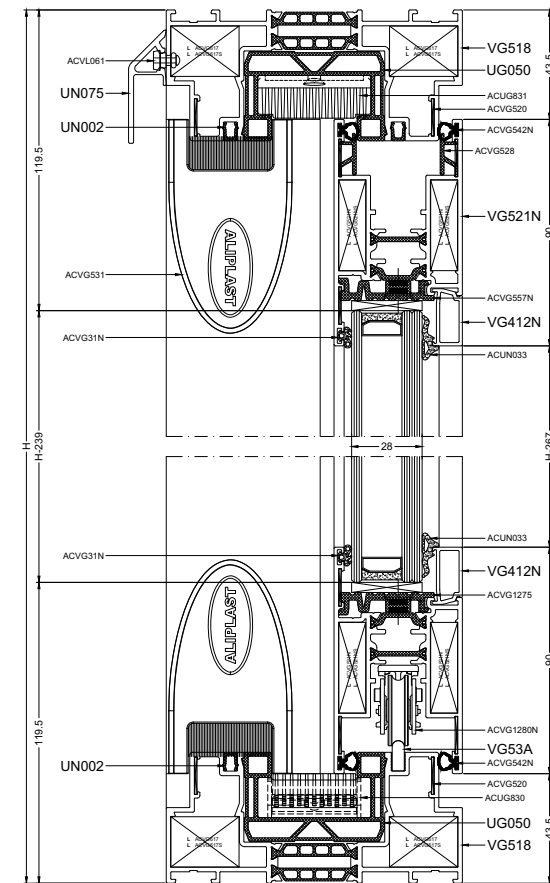
| | |
|-----------|--------|
| ACVG1280N | 2 |
| ACVG1274N | 2 |
| ACVG1275 | 26 (*) |

ACVG1277...279 VH-97

| | | |
|------------------------|----------|---|
| 1898 mm < FH < 2197 mm | ACVG1277 | 2 |
| 2198 mm < FH < 2497 mm | ACVG1278 | |
| 2498 mm < FH < ... | ACVG1279 | |

ACUG230...233

| | | |
|------------------------|---------|---|
| 1280 mm < FB < 2060 mm | ACUG230 | 2 |
| 2061 mm < FB < 2560 mm | ACUG231 | |
| 2561 mm < FB < 3060 mm | ACUG232 | |
| 3061 mm < FB < 3230 mm | ACUG233 | |



VG518-2RAIL-1F-2O(LS)X2O(LS)-1F (HS)

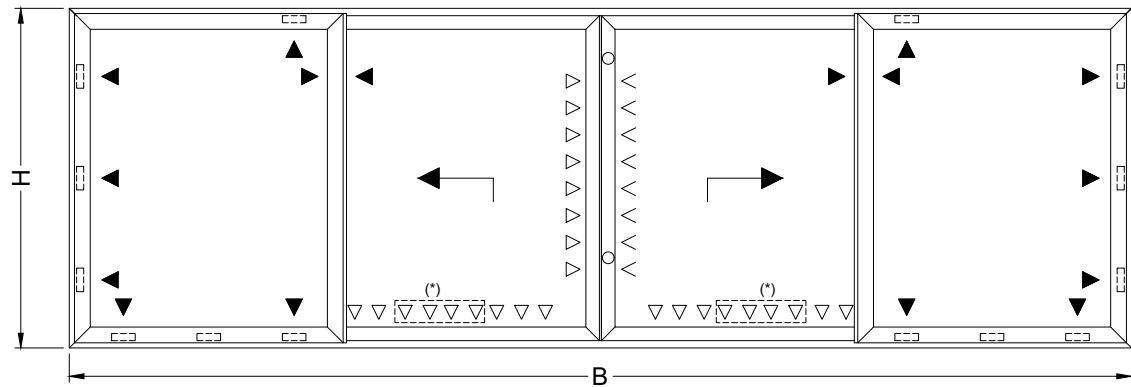
aliplast
member of



VG500

VG500 - HS

VG518 - 2RAIL - 1F - 2O(LS) - 2O(LS) - 1F (VG5121-VG5221)



- ▽ = ACVG1275
- ∇ = ACVG1276
- ▼ = ACVG557N
- = ACVG644
- = ACVG1240

| PROFIELN / PROFILS / PROFILES / PROFILS | | | |
|---|--|---|-----------|
| VG518 | | 2 | B |
| | | 2 | H |
| UG050 | | 2 | B-33 |
| | | 2 | H-33 |
| VG5121 | | 4 | B/4+16.75 |
| | | 4 | H-87 |
| VG5221 | | 4 | B/4+16.75 |
| | | 4 | H-87 |
| VG530 | | 4 | H-87 |
| VG533N | | 4 | H-87 |
| UG852 | | 4 | H-87 |
| (*) VG542 | | 1 | H-87 |

| | | | |
|-------|--|---|------------|
| VG4XX | | 8 | B/4-123.25 |
| | | 8 | H-267 |

| | | | |
|---------|--|---|------|
| VG53(A) | | 1 | B-94 |
|---------|--|---|------|

| | | | |
|-----------------------|--|---|----------|
| UN002 | | 1 | B-104 |
| or (for 2000 on VG52) | | 2 | B/2-76.1 |
| | | 2 | H-104 |

| OPTIONEEL / EN OPTION / FAKULTATIV / OPTIONAL | | | |
|---|--|---|---------|
| SL076 | | 1 | B |
| ACVL061 | | | B/300+2 |

TOEBEHOREN / ACCESSOIRES ZUBEHÖRTEILE / ACCESSORIES

| | | | |
|-----------|--|----|--|
| ACVG617 | | 8 | |
| ACVG617X | | | |
| ACVG521N | | 32 | |
| ACVG521NX | | | |
| ACVG520 | | 56 | |
| ACVG557N | | 16 | |
| ACVG644 | | 14 | |
| ACUN348 | | 2 | |
| ACVG543 | | 1 | |
| ACVG45 | | | |
| ACGSL045 | | | |
| ACUN045 | | | |
| ACVG528 | | 12 | |
| ACVG531 | | 8 | |
| ACUG830 | | 2 | |
| ACUG831 | | 2 | |
| ACUG221 | | 1 | |
| ACVG1240 | | 1 | |
| ACVG1276 | | 1 | |

OVERZICHT HANDGREPEN, ZIE SZ CATALOGUS
APERÇU POIGNÉES, VOIR LE CATALOGUE SZ
OVERVIEW HANDLES, SEE SZ CATALOG
ÜBERSICHT HANDGRIFF, SIEHE SZ KATALOG

| | |
|--------------------|------------|
| ACVG542N | 7H+4B-300 |
| ACVG642 | |
| ACVG31N | 8H+2B-2900 |
| ACUN033 (3 - 5 mm) | 8H+2B-2900 |
| ACUN036 (6 - 8 mm) | |
| ACVG642 | 8H-250 |

GLASMATEN / DIMENSIONS DES VITRAGES / GLASMASSE / GLASS SIZE

| | | |
|----|------------|-------|
| 4X | B/4-135.25 | H-239 |
|----|------------|-------|

| | | |
|----|--|-----------|
| FB | VLEUGELBREEDTE LARGEUR VANTAIL BREITE FLUGEL WIDTH SASH | B/4+16.75 |
| FH | VLEUGELHOOGTE HAUTEUR D'OUVRANT FLUGEL HOHE VENT HEIGHT | H-87 |

MAXIMAAL VLEUGELGEWICHT
POIDS MAXIMUM PAR VANTAIL
MAXIMAL FLUGELGEWICHT
MAX. WEIGHT OF THE VENT

250KG

| | |
|-----------|----|
| ACVG1280N | 2 |
| ACVG1275 | 18 |

| | |
|----------------|-------|
| ACVG1277...279 | FH-97 |
|----------------|-------|

| | | |
|------------------------|----------|---|
| 1898 mm < FH < 2197 mm | ACVG1277 | 2 |
| 2198 mm < FH < 2497 mm | ACVG1278 | |
| 2498 mm < FH < ... | ACVG1279 | |
| 700 mm < FB < 1410 mm | ACUG230 | 2 |
| 1411 mm < FB < 1910 mm | ACUG231 | |
| 1911 mm < FB < 2360 | ACUG232 | |

OF
OU
ODER
OR

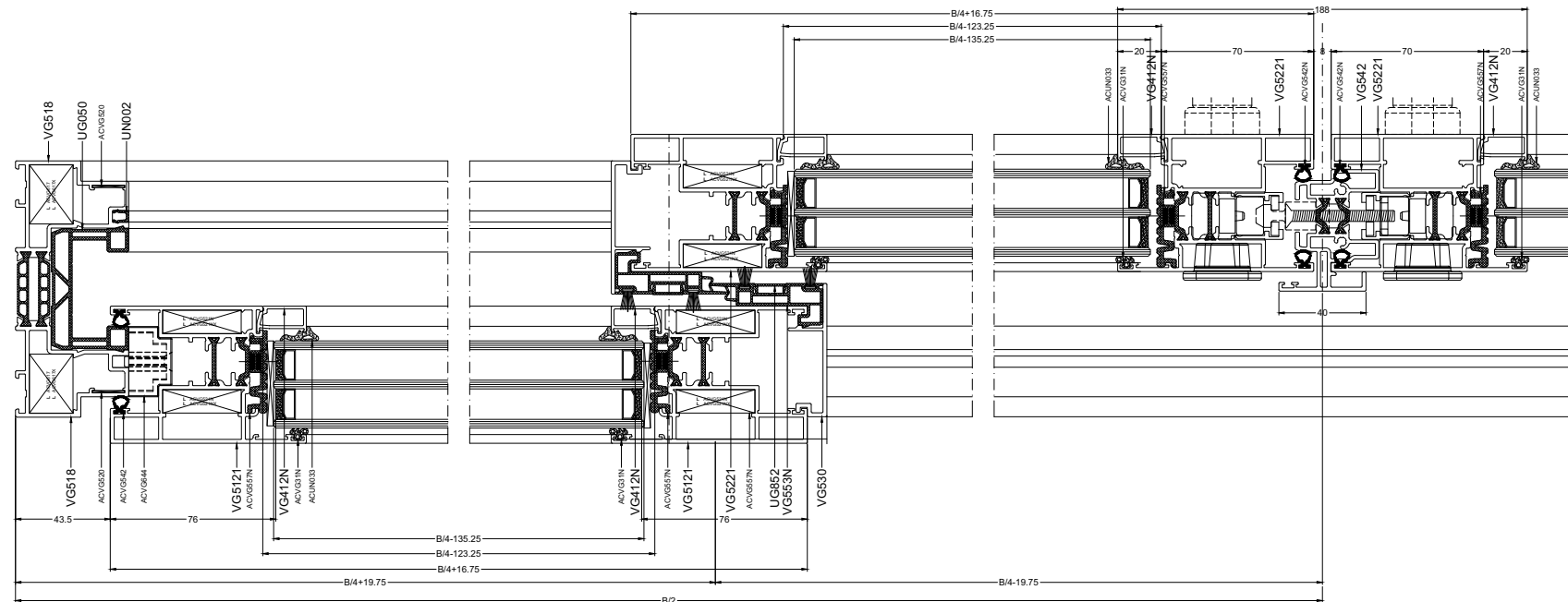
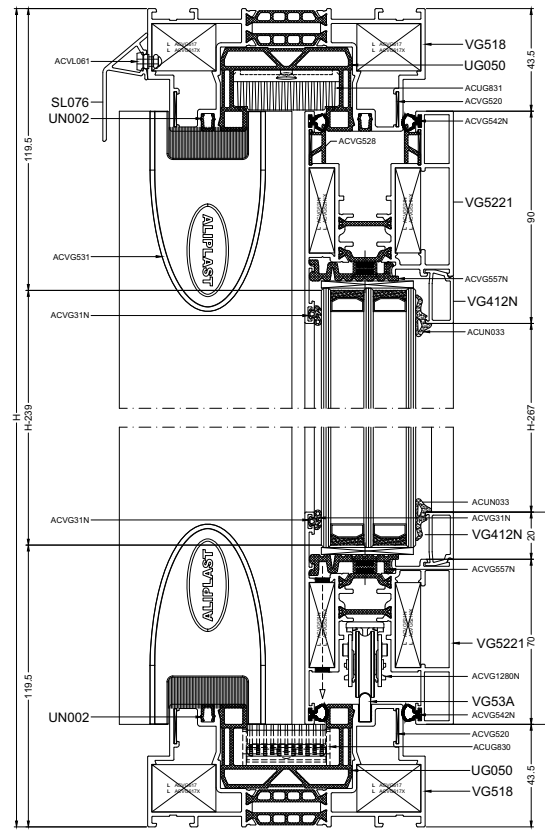
MAXIMAAL VLEUGELGEWICHT
POIDS MAXIMUM PAR VANTAIL
MAXIMAL FLUGELGEWICHT
MAX. WEIGHT OF THE VENT

300KG

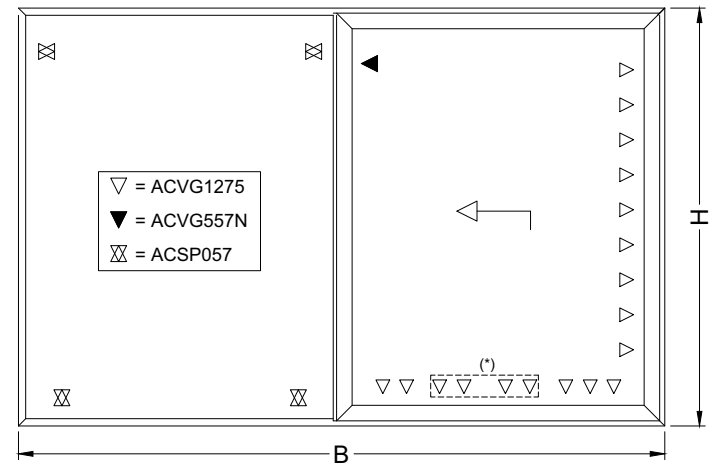
| | |
|-----------|--------|
| ACVG1280N | 2 |
| ACVG1274N | 2 |
| ACVG1275 | 26 (*) |

| | |
|----------------|-------|
| ACVG1277...279 | VH-97 |
|----------------|-------|

| | | |
|------------------------|----------|---|
| 1898 mm < FH < 2197 mm | ACVG1277 | 2 |
| 2198 mm < FH < 2497 mm | ACVG1278 | |
| 2498 mm < FH < ... | ACVG1279 | |
| 1280 mm < FB < 2060 mm | ACUG230 | 2 |
| 2061 mm < FB < 2560 mm | ACUG231 | |
| 2561 mm < FB < 3060 mm | ACUG232 | |
| 3061 mm < FB < 3230 mm | ACUG233 | |



VG500 - HS VG618 - 1RAIL - 2F - 10 (LS)



PROFIELEN / PROFILES / PROFILS / PROFILS

| | | | |
|--------|---|--|-------|
| VG618 | 2 | | B |
| | 2 | | H |
| VG521N | 2 | | B/2-3 |
| | 2 | | H-87 |
| VG621 | 1 | | H-56 |
| VG530 | 1 | | H-87 |
| VG630 | 1 | | H-56 |
| VG553N | 2 | | H-87 |
| UG852 | 2 | | H-87 |

OF / OU / ODER / OR

| | | | |
|--------|---|--|----------|
| VG615 | 1 | | H-112.6 |
| VG616 | 2 | | B/2-77.5 |
| VG615 | 1 | | H-106 |
| VG2616 | 2 | | B/2-77.5 |

| | | | |
|-------|---|--|----------|
| VG4XX | 2 | | B/2-143 |
| | 2 | | H-267 |
| GL7XX | 2 | | B/2-52.5 |
| | 2 | | H-106 |

| | | | |
|---------|---|--|-------|
| VG53(A) | 1 | | B-94 |
| VG52 | 1 | | B-104 |
| UN002 | 2 | | H-104 |

OPTIONEEL / EN OPTION / FAKULTATIV / OPTIONAL

| | | | |
|---------|---|---------|-----|
| UN075 | f | 1 | B-9 |
| ACUN075 | | 1 | |
| ACVL061 | | B/300+2 | |

TOEBEHOREN / ACCESSOIRES
ZUBEHÖRTEILE / ACCESSORIES

| | | | |
|------------|---------------|---------|----|
| ACVG618 | 4 | | |
| ACVG618X | | ACMX853 | 8 |
| | | ACUN161 | 8 |
| ACEF010B | 4 | | |
| ACVG611BX | | ACMX853 | 8 |
| | | ACUN161 | 8 |
| ACVG521N | 8 | | |
| ACVG521NX | | ACMX854 | 16 |
| | | ACUN160 | 16 |
| ACVL020(B) | 4 | | |
| ACVG520 | 16 | | |
| ACVL029 | 6 | | |
| ACVG557N | 1 | | |
| ACSP057 | 4 | | |
| ACFT171 | (H+B-200)/300 | | |
| ACVG528 | 6 | | |
| ACUG631 | 1 | | |
| ACUG632 | 1 | | |
| ACGSL057 | 2 | | |
| ACUN348 | 1 | | |
| ACVG45 | | | |
| ACGSL045 | | | |
| ACUN045 | | | |
| ACVG534 | | | |
| ACVG531 | 2 | | |

GLASMATEN / DIMENSIONS DES
VITRAGES / GLASSMASSE / GLASS SIZE

| | |
|------------------|------------------------------|
| B/2-66.5 | B/2-155 |
| H-70 | H-239 |
| ACVG542N | 3H+3B-300 |
| ACVG642 | |
| ACUG633 | H+B-200 |
| ACVG31N | (1) 2H+B-200 (2) 2H+B-700 |
| ACUN033 (3-5 mm) | (1) 2H+B-200 |
| ACUN036 (6-8 mm) | (2) 2H+B-700 |
| ACVG642 | 4H-100 |

OVERZICHT HANDGREPEN, ZIE SZ CATALOGUS
APERÇU POIGNÉES, VOIR LE CATALOGUE SZ
OVERVIEW HANDLES, SEE SZ CATALOG
UEBERSICHT HANDGRIF, SIEHE SZ KATALOG

| | | |
|----|--|-------|
| FB | VLEUGELBREEDTE LARGEUR VANTAIL BREITE FLÜGEL WIDTH SASH | B/2-3 |
| FH | VLEUGELHOOGTE HAUTEUR D'OUVRANT FLÜGEL HOHE VENT HEIGHT | H-87 |

MAXIMAAL VLEUGELGEWICHT
POIDS MAXIMUM PAR VANTAIL
MAXIMAL FLÜGELGEWICHT
MAX. WEIGHT OF THE VENT

250KG

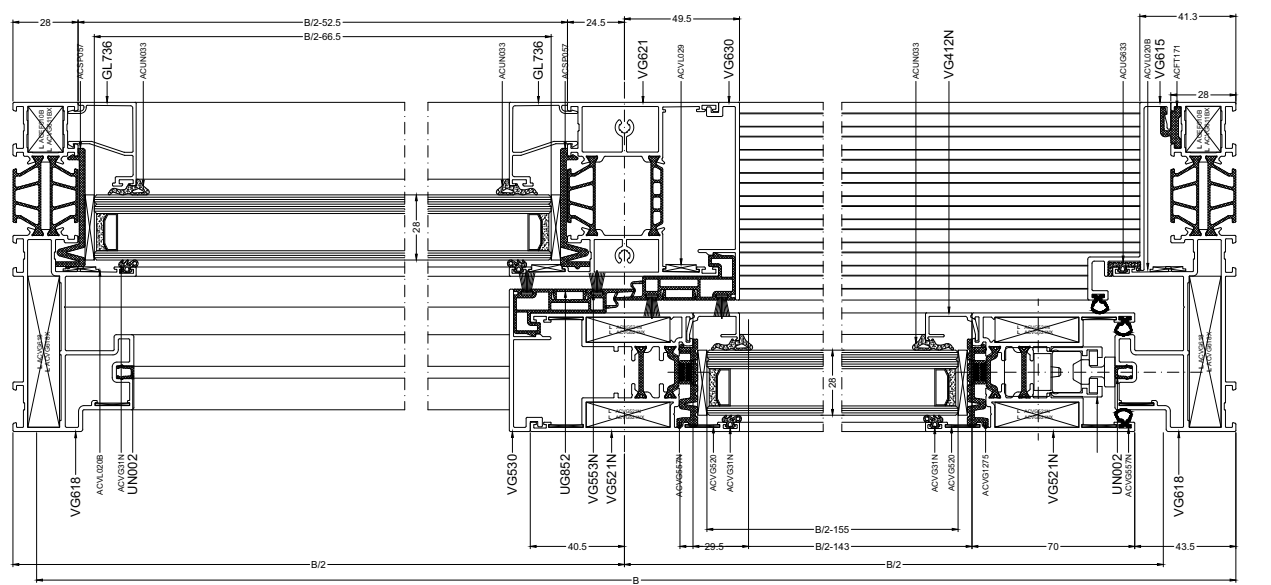
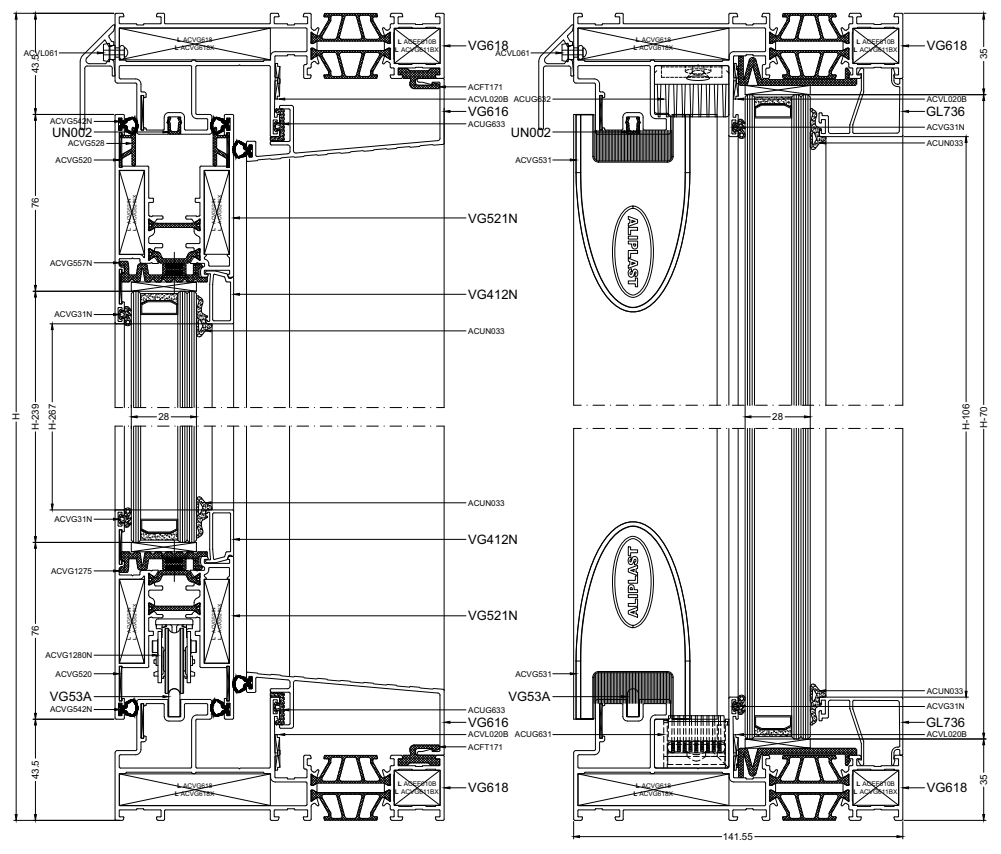
| | |
|------------------------|----------|
| ACVG1280N | 1 |
| ACVG1275 | 14 |
| ACVG1277...279 | FH-97 |
| ACUG230...232 | |
| 1898 mm < FH < 2197 mm | ACVG1277 |
| 2198 mm < FH < 2497 mm | ACVG1278 |
| 2498 mm < FH < ... | ACVG1279 |
| 700 mm < FB < 1410 mm | ACUG230 |
| 1411 mm < FB < 1910 mm | ACUG231 |
| 1911 mm < FB < 2360 | ACUG232 |

OF
OU
ODER
OR

MAXIMAAL VLEUGELGEWICHT
POIDS MAXIMUM PAR VANTAIL
MAXIMAL FLÜGELGEWICHT
MAX. WEIGHT OF THE VENT

300KG

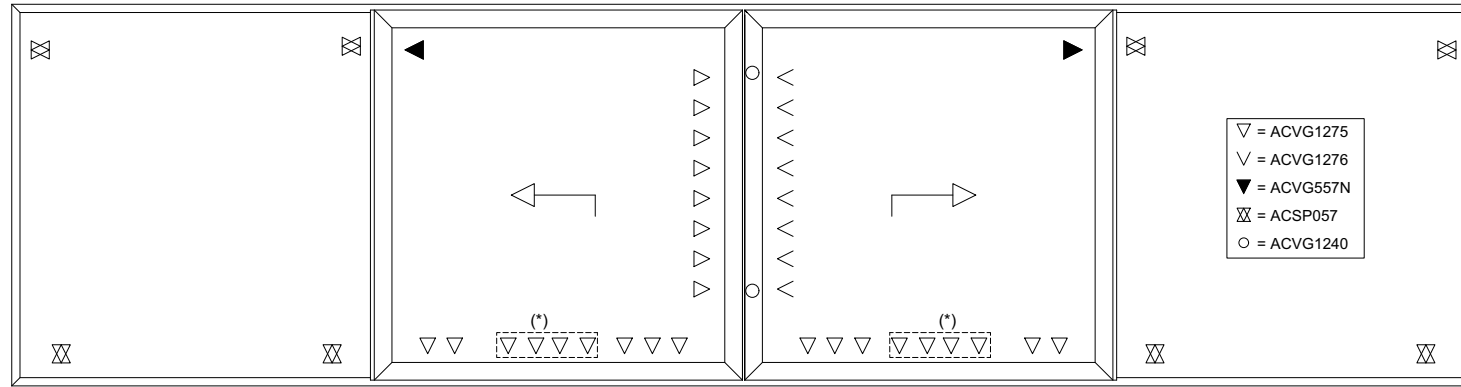
| | |
|------------------------|----------|
| ACVG1280N | 1 |
| ACVG1274N | 1 |
| ACVG1275 | 18 (*) |
| ACVG1277...279 | FH-97 |
| ACUG230...233 | |
| 1898 mm < FH < 2197 mm | ACVG1277 |
| 2198 mm < FH < 2497 mm | ACVG1278 |
| 2498 mm < FH < ... | ACVG1279 |
| 1280 mm < FB < 2060 mm | ACUG230 |
| 2061 mm < FB < 2560 mm | ACUG231 |
| 2561 mm < FB < 3060 mm | ACUG232 |
| 3061 mm < FB < 3230 mm | ACUG233 |



VG500

VG500 - HS

VG618 - 1RAIL - 2F - 10 (LS) - 10 (LS) - 2F



PROFIELN / PROFILES / PROFILS / PROFILS

| | | |
|--------|---|----------|
| VG618 | 2 | B |
| | 2 | H |
| VG521N | 4 | B/4+36.5 |
| | 4 | H-87 |
| VG621 | 2 | H-56 |
| VG530 | 2 | H-87 |
| VG630 | 2 | H-56 |
| VG553N | 4 | H-87 |
| UG852 | 4 | H-87 |
| VG542 | 1 | H-87 |
| VG616 | 2 | B/2-99 |
| VG2616 | 2 | B/2-99 |

| | | |
|-------|---|-----------|
| VG7XX | 4 | B/4-52.5 |
| | 4 | H-106 |
| VG4XX | 4 | B/4-103.5 |
| | 4 | H-267 |

| | | |
|---------|---|------|
| VG53(A) | 1 | B-94 |
|---------|---|------|

| | | |
|-------|---|-------|
| UN002 | 1 | B-104 |
| VG52 | 2 | H-104 |

| | | |
|----|--|----------|
| FB | VLEUGELBREEDTE LARGEUR VANTAIL BREITE FLUGEL WIDTH SASH | B/4+36.5 |
| FH | VLEUGELHOOGTE HAUTEUR D'OUVRANT FLUGEL HOHE VENT HEIGHT | H-87 |

GLASMATEN / DIMENSIONS DES VITRAGES / GLASSMASSE / GLASS SIZE

| | | |
|---|-----------|-------|
| ① | B/4-66.5 | H-70 |
| ② | B/4-115.5 | H-239 |

TOEBEHOREN / ACCESSOIRES ZUBEHÖRTEILE / ACCESSORIES

| | | | |
|------------|---------------|--------------------|----|
| ACVG618 | 4 | ACMX853 ACUNT61 | 8 |
| ACVG618X | 4 | ACMX853 ACUNT61 | 8 |
| ACEF010B | 4 | ACMX853 ACUNT61 | 8 |
| ACVG611BX | 4 | ACMX853 ACUNT61 | 8 |
| ACVG521N | 16 | ACMX854 ACUNT60 | 32 |
| ACVG521NX | 16 | ACMX854 ACUNT60 | 32 |
| ACVG520 | 28 | | |
| ACVL020(B) | 4 | | |
| ACVL029 | 8 | | |
| ACVG557N | 2 | | |
| ACSP057 | 8 | | |
| ACUN348 | 2 | | |
| ACVG543 | 1 | | |
| ACVG45 | | | |
| ACGSL045 | | | |
| ACUN045 | | | |
| ACVG534 | | | |
| ACVG528 | 12 | | |
| ACVG531 | 4 | | |
| ACUG631 | 2 | | |
| ACUG632 | 2 | | |
| ACGSL057 | 4 | | |
| ACFT171 | (H+B-200)/300 | | |
| ACUG221 | 1 | | |
| ACVG1240 | 1 | | |
| ACVG1276 | 1 | | |

| | |
|--------------------|------------|
| ACVG542N | 3H+3B-200 |
| ACVG642 | 3H+3B-200 |
| ACUG633 | B-100 |
| ACVG31N | 8H+2B-3200 |
| ACUN033 (3 - 5 mm) | 8H+2B-3200 |
| ACUN036 (6 - 8 mm) | 8H+2B-3200 |
| ACVG642 | 8H-240 |

OPTIONEEL / EN OPTION / FAKULTATIV / OPTIONAL

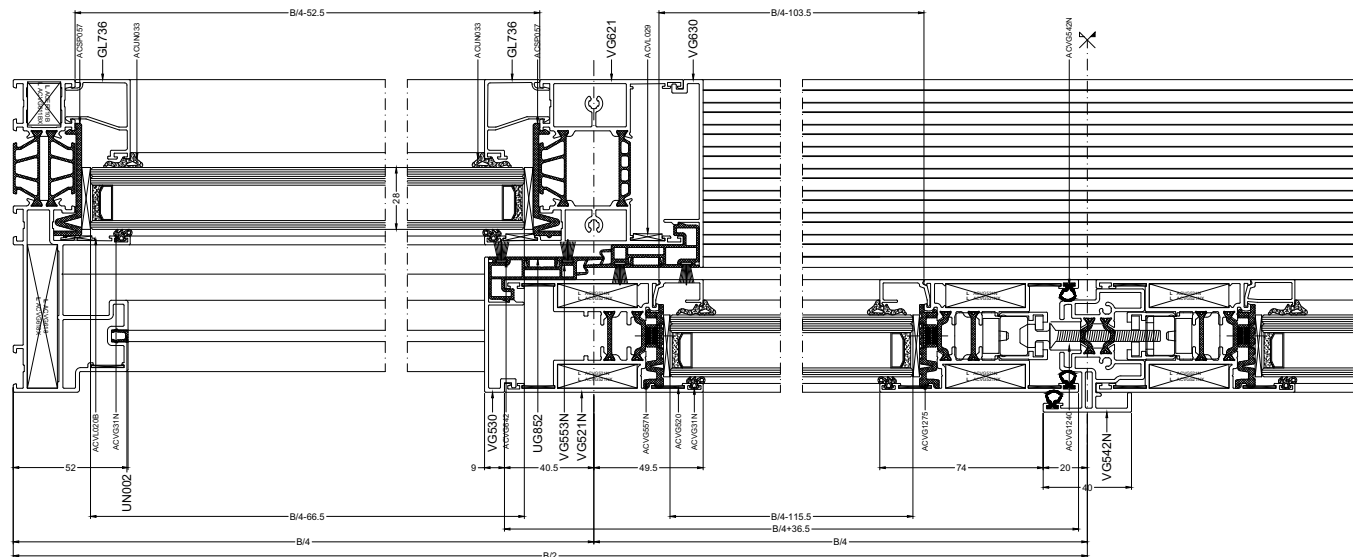
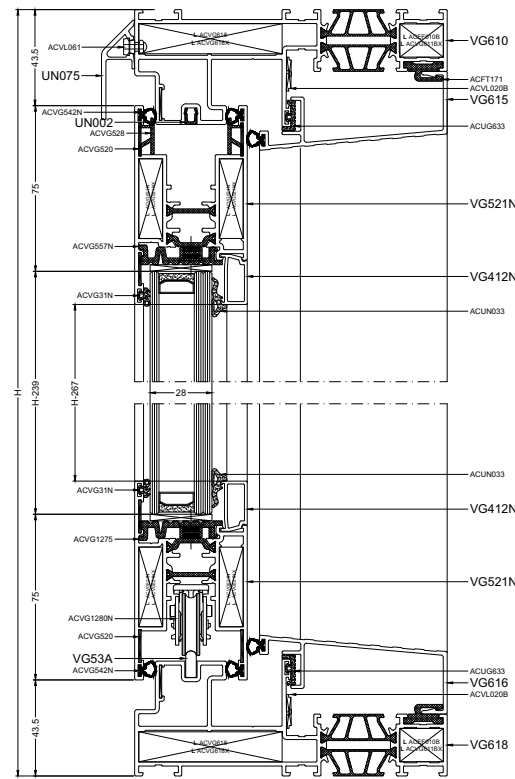
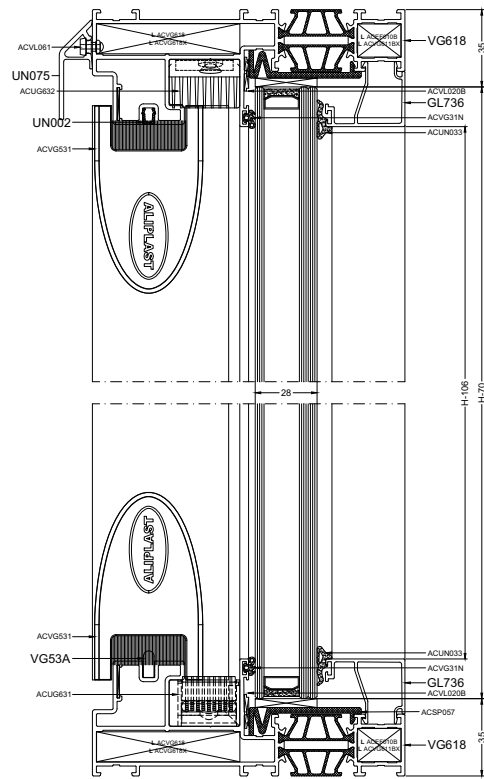
| | | | |
|---------|---|---------|-----|
| UN075 | f | 1 | B-9 |
| ACUN075 | | 1 | |
| ACVL061 | | B/300+2 | |

OVERZICHT HANDGREPEN, ZIE SZ CATALOGUS
APERCU POIGNEES, VOIR LE CATALOGUE SZ
OVERVIEW HANDLES, SEE SZ CATALOG
UEBERSICHT HANDGRIFF, SIEHE SZ KATALOG

| | | |
|--|----------|--------------|
| MAXIMAAL VLEUGELGEWICHT POIDS MAXIMUM PAR VANTAIL MAXIMAL FLUGELGEWICHT MAX. WEIGHT OF THE VENT | | 250KG |
| ACVG1280N | 2 | |
| ACVG1275 | 18 | |
| ACVG1277...279 | FH-97 | |
| 1898 mm < FH < 2197 mm | ACVG1277 | 2 |
| 2198 mm < FH < 2497 mm | ACVG1278 | |
| 2498 mm < FH < ... | ACVG1279 | |
| ACUG230...232 | | |
| 700 mm < FB < 1410 mm | ACUG230 | |
| 1411 mm < FB < 1910 mm | ACUG231 | 2 |
| 1911 mm < FB < 2360 | ACUG232 | |

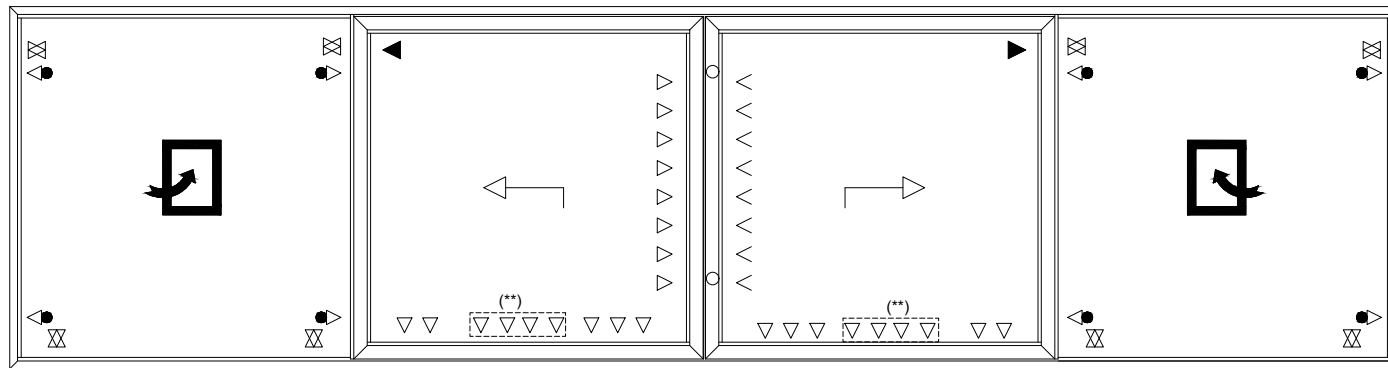
OF
OU
ODER
OR

| | | |
|--|----------|--------------|
| MAXIMAAL VLEUGELGEWICHT POIDS MAXIMUM PAR VANTAIL MAXIMAL FLUGELGEWICHT MAX. WEIGHT OF THE VENT | | 300KG |
| ACVG1280N | 2 | |
| ACVG1274N | 2 | |
| ACVG1275 | 26 (*) | |
| ACVG1277...279 | VH-97 | |
| 1898 mm < FH < 2197 mm | ACVG1277 | 1 |
| 2198 mm < FH < 2497 mm | ACVG1278 | |
| 2498 mm < FH < ... | ACVG1279 | |
| ACUG230...233 | | |
| 1280 mm < FB < 2060 mm | ACUG230 | |
| 2061 mm < FB < 2560 mm | ACUG231 | 1 |
| 2561 mm < FB < 3060 mm | ACUG232 | |
| 3061 mm < FB < 3230 mm | ACUG233 | |



VG500 - HS

VG619 - 1RAIL - 1F - 20 (LS) - 20 (LS) - 1F (VG5221)



- ▽ = ACVG1275
- ∇ = ACVG1276
- ▼ = ACVG557N
- ⊗ = ACSP057
- ◀ = ACSP057 + ACUN550
- = ACVG1240

GLASMATEN / DIMENSIONS DES
VITRAGES / GLASSMASSE / GLASS SIZE

- ① B/4-66.5 H-70
- ② B/4-123.5 H-239

| | | |
|----|--|----------|
| FB | VLEUGELBREEDTE LARGEUR VANTAIL BREITE FLUGEL WIDTH SASH | B/4+36.5 |
| FH | VLEUGELHOOGTE HAUTEUR D'OUVRANT FLUGEL HOHE VENT HEIGHT | H-87 |

PROFIELEN / PROFILES / PROFILS / PROFILS

| | | |
|--------|---|----------------------|
| VG619 | 2 | B |
| VG5221 | 4 | H |
| VG621 | 2 | B/4+36.5 |
| VG530 | 2 | H-87 |
| VG553N | 2 | H-56 |
| UG852 | 4 | H-87 |
| VG542 | 1 | H-134.7 H-126 (*) |

| | | |
|------------|---|--------|
| VG616 | 2 | B/2-99 |
| VG2616 (*) | 2 | B/2-99 |

| | | |
|-------|---|-----------|
| VG4XX | 4 | B/4-103.5 |
| GL7XX | 4 | H-267 |
| | 4 | B/4-52.5 |
| | 4 | H-106 |

| | | |
|---------|---|------|
| VG53(A) | 1 | B-94 |
|---------|---|------|

| | | |
|-------|---|-------|
| VG52 | 1 | B-104 |
| UN002 | 2 | H-104 |

VERSTEVIJGINGSPROFIEL / PROFIL DE RENFORCEMENT
VERSTAERKUNGSPROFIL / REINFORCEMENT PROFILE

| | | | |
|--------|---|---|-------|
| UN500 | 1 | 2 | H-142 |
| UN510 | 1 | 2 | H-142 |
| UTL080 | 1 | 2 | H-142 |

| | | |
|---------|---|---|
| ACUN500 | 1 | 2 |
|---------|---|---|

OPTIONEEL / EN OPTION / FAKULTATIV / OPTIONAL

| | | | |
|---------|---|---------|-----|
| UN075 | f | 1 | B-9 |
| ACUN075 | | 1 | |
| ACVL061 | | B/300+2 | |

TOEBEHOREN / ACCESSOIRES
ZUBEHÖRTEILE / ACCESSORIES

| | | | |
|----------|----|--------------------|----|
| ACVG618 | 4 | ACMX853 ACUN161 | 8 |
| ACEF010B | 4 | ACMX853 ACUN161 | 8 |
| ACVG521N | 16 | ACMX854 ACUN160 | 32 |

| | |
|------------|---------------|
| ACVG520 | 28 |
| ACVL020(B) | 4 |
| ACVL029 | 12 |
| ACVG557N | 2 |
| ACSP057 | 16 |
| ACUN550 | 8 |
| ACUN348 | 2 |
| ACVG543 | 1 |
| ACVG45 | |
| ACGSL045 | |
| ACUN045 | |
| ACVG534 | |
| ACVG528 | 12 |
| ACVG531 | 4 |
| ACUG631 | 2 |
| ACUG632 | 2 |
| ACGSL057 | 4 |
| ACFT171 | (H+B-200)/300 |
| ACVG620 | 4 |
| ACVG620 | 4 |
| ACUG221 | 1 |
| ACVG1240 | 1 |
| ACGSL057 | 4 |

| | |
|------------------|------------|
| ACVG542N | 3H+3B-200 |
| ACVG642 | B-100 |
| ACUG633 | 8H+2B-3200 |
| ACVG31N | 8H+2B-3200 |
| ACUN033 (3-5 mm) | 8H+2B-3200 |
| ACUN036 (6-8 mm) | 8H+2B-3200 |
| ACVG642 | 8H-240 |

OVERZICHT HANDGREPEN. ZIE SZ CATALOGUS
APERCU POIGNÉES. VOIR LE CATALOGUE SZ
OVERVIEW HANDLES. SEE SZ CATALOG
ÜBERSICHT HANDGRFF. SIEHE SZ KATALOG

MAXIMAAL VLEUGELGEWICHT
POIDS MAXIMUM PAR VANTAIL
MAXIMAL FLUGELGEWICHT
MAX. WEIGHT OF THE VENT

250KG

| | |
|-----------|----|
| ACVG1280N | 2 |
| ACVG1275 | 18 |

ACVG1277...279 FH-97

| | | |
|------------------------|----------|---|
| 1898 mm < FH < 2197 mm | ACVG1277 | 2 |
| 2198 mm < FH < 2497 mm | ACVG1278 | |
| 2498 mm < FH < ... | ACVG1279 | |

ACUG230...232

| | | |
|------------------------|---------|---|
| 650 mm < FB < 1360 mm | ACUG230 | 2 |
| 1361 mm < FB < 1860 mm | ACUG231 | |
| 1861 mm < FB < 2360 | ACUG232 | |

OF
OU
ODER
OR

MAXIMAAL VLEUGELGEWICHT
POIDS MAXIMUM PAR VANTAIL
MAXIMAL FLUGELGEWICHT
MAX. WEIGHT OF THE VENT

300KG

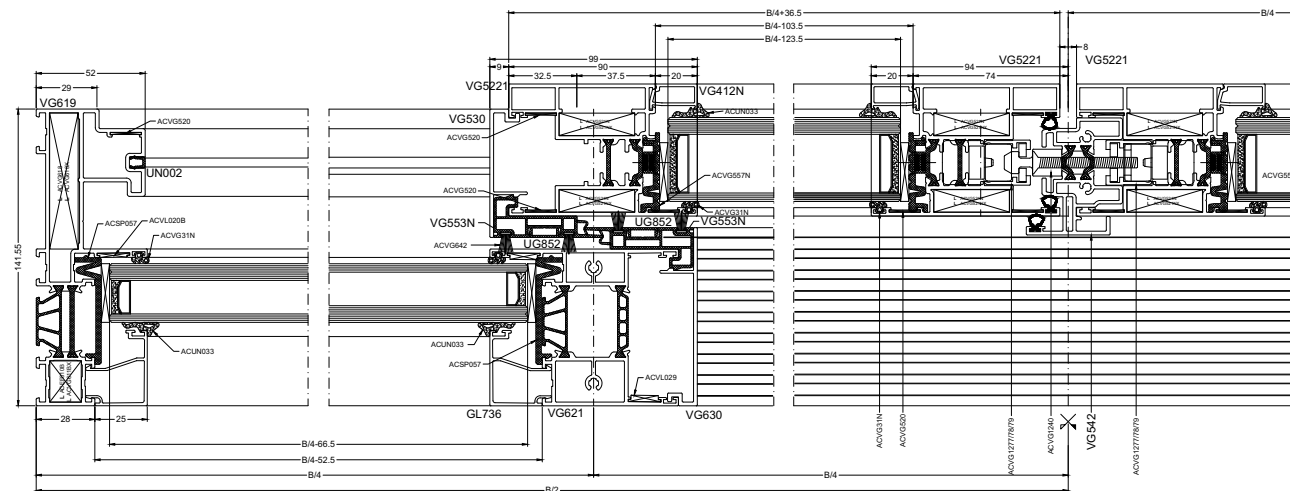
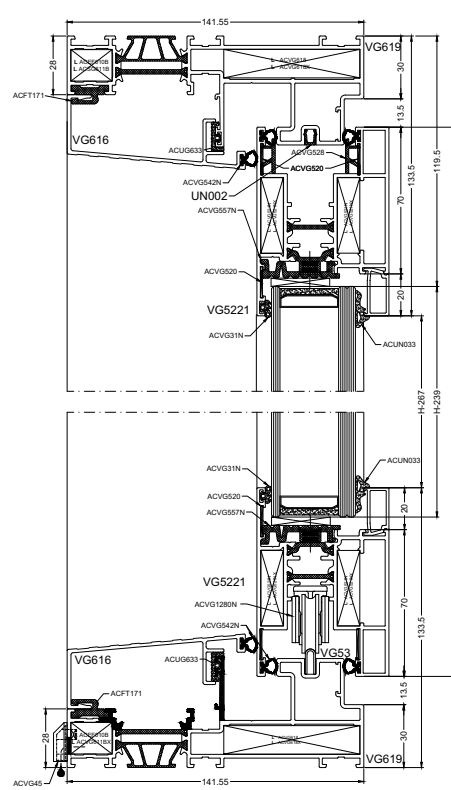
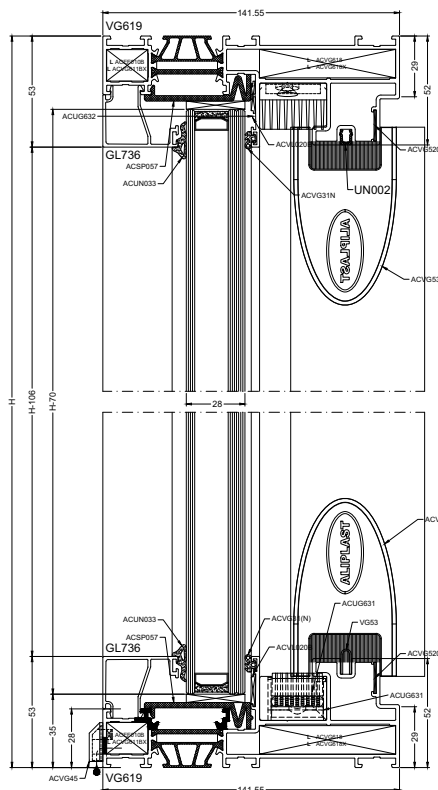
| | |
|-----------|----|
| ACVG1280N | 2 |
| ACVG1274N | 2 |
| ACVG1275 | 26 |

ACVG1277...279 VH-97

| | | |
|------------------------|----------|---|
| 1898 mm < FH < 2197 mm | ACVG1277 | 2 |
| 2198 mm < FH < 2497 mm | ACVG1278 | |
| 2498 mm < FH < ... | ACVG1279 | |

ACUG230...233

| | | |
|------------------------|---------|---|
| 1120 mm < FB < 1800 mm | ACUG230 | 2 |
| 1801 mm < FB < 2300 mm | ACUG231 | |
| 2301 mm < FB < 2800 mm | ACUG232 | |
| 2801 mm < FB < 3235 mm | ACUG233 | |



VG619-1RAIL-1F-20(LS)X20(LS)-1F (VG5221)

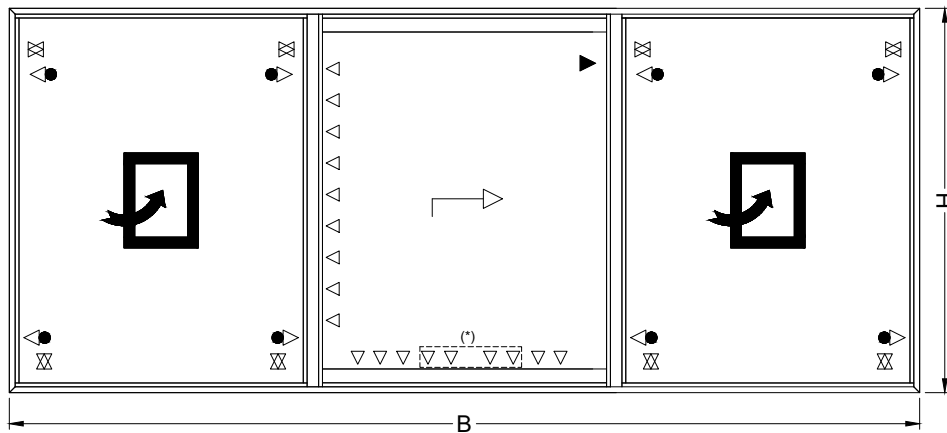
aliplast
member of



VG500

VG500 - HS

VG619 - 1RAIL - 1F - 20 (LS) - 1F (VG5221)



- ▼ = ACVG557N
- ▽ = ACVG1275
- ⊗ = ACSP057
- = ACSP057+ACUN550

PROFIËNEN / PROFILES / PROFILS / PROFILS

| | | | |
|--------|---|--|--------|
| VG619 | 2 | | B |
| | 2 | | H |
| VG5221 | 2 | | B/3+81 |
| | 2 | | H-87 |
| VG621 | 2 | | H-56 |
| VG530 | 1 | | H-87 |
| VG630 | 2 | | H-56 |
| VG553N | 3 | | H-87 |
| VG615 | 1 | | B/3-99 |
| VG616 | 2 | | B/3-99 |
| VG2616 | 2 | | B/3-99 |
| UG852 | 3 | | H-87 |
| VG632 | 1 | | H-87 |

| | | | |
|-------|---|--|----------|
| VG4XX | 2 | | B/3-59 |
| | 2 | | H-267 |
| GL7XX | 4 | | B/3-52.5 |
| | 4 | | H-106 |

| | | | |
|---------|---|--|------|
| VG53(A) | 1 | | B-94 |
|---------|---|--|------|

| | | | |
|-------|---|--|-------|
| VG52 | 1 | | B-104 |
| UN002 | 2 | | H-104 |

VERSTEVIGINGSPROFIEL / PROFIL DE RENFORCEMENT VERSTAERKUNGSPROFIL / REINFORCEMENT PROFILE

| | | | |
|--------|---|---|------|
| UN500 | 1 | 2 | H-91 |
| UN510 | 1 | 2 | H-91 |
| UTL080 | 1 | 2 | H-91 |

| | | |
|---------|---|---|
| ACUN500 | 1 | 2 |
|---------|---|---|

OVERZICHT HANDGREPEN, ZIE SZ CATALOGUS
APERCU POIGNEES, VOIR LE CATALOGUE SZ
OVERVIEW HANDLES, SEE SZ CATALOG
UEBERSICHT HANDGRIFF, SIEHE SZ KATALOG

TOEBEHOREN / ACCESSOIRES ZUBEHOERTEILE / ACCESSORIES

| | | | |
|------------|---------------|--|--|
| ACVG618 | 4 | | |
| ACVG618X | 4 | | |
| ACEF010B | 4 | | |
| ACVG611BX | 4 | | |
| ACVG521N | 8 | | |
| ACVG521NX | 8 | | |
| ACVG520 | 16 | | |
| ACVL020(B) | 4 | | |
| ACVL029 | 12 | | |
| ACSP057 | 8 | | |
| ACVG557N | 1 | | |
| ACUN550 | 8 | | |
| ACFT171 | (H+B-200)/300 | | |
| ACUG631 | 2 | | |
| ACUG632 | 2 | | |
| ACVG45 | 1 | | |
| ACVG534 | 1 | | |
| ACVG528 | 6 | | |
| ACVG531 | 2 | | |
| ACUN348 | 1 | | |
| ACVG620 | 4 | | |

| | |
|-------------------|-----------|
| ACVG542N | 3H+B-150 |
| ACUG633 | 2B/3 -150 |
| ACVG31N | 6H+2B-900 |
| ACUN033 (3 - 5mm) | 4H+2B-900 |
| ACUN036 (6 - 8mm) | 4H+2B-900 |
| ACVG642 | 6H-150 |

| | | |
|----|--|--------|
| FB | VLEUGELBREEDTE LARGEUR VANTAIL BREITE FLUGEL WIDTH SASH | B/3+81 |
| FH | VLEUGELHOOGTE HAUTEUR D'OUVRANT FLUGEL HOHE VENT HEIGHT | H-87 |

GLASMATEN / DIMENSIONS DES
VITRAGES / GLASMASSE / GLASS SIZE

| | | | |
|----------|------|--------|-------|
| B/3-66.5 | H-70 | B/3-71 | H-239 |
|----------|------|--------|-------|

MAXIMAAL VLEUGELGEWICHT
POIDS MAXIMUM PAR VANTAIL
MAXIMAL FLUGELGEWICHT
MAX. WEIGHT OF THE VENT

250KG

| | |
|----------------|-------|
| ACVG1280N | 1 |
| ACVG1275 | 14 |
| ACVG1277...279 | FH-76 |

| | | |
|------------------------|----------|---|
| ACUG230..232 | | |
| 1877 mm < FH < 2176 mm | ACVG1277 | 1 |
| 2177 mm < FH < 2476 mm | ACVG1278 | 1 |
| 2477 mm < FH < ... | ACVG1279 | 1 |
| 650 mm < FB < 1360 mm | ACUG230 | 1 |
| 1361 mm < FB < 1860 mm | ACUG231 | 1 |
| 1861 mm < FB < 2360 mm | ACUG232 | 1 |

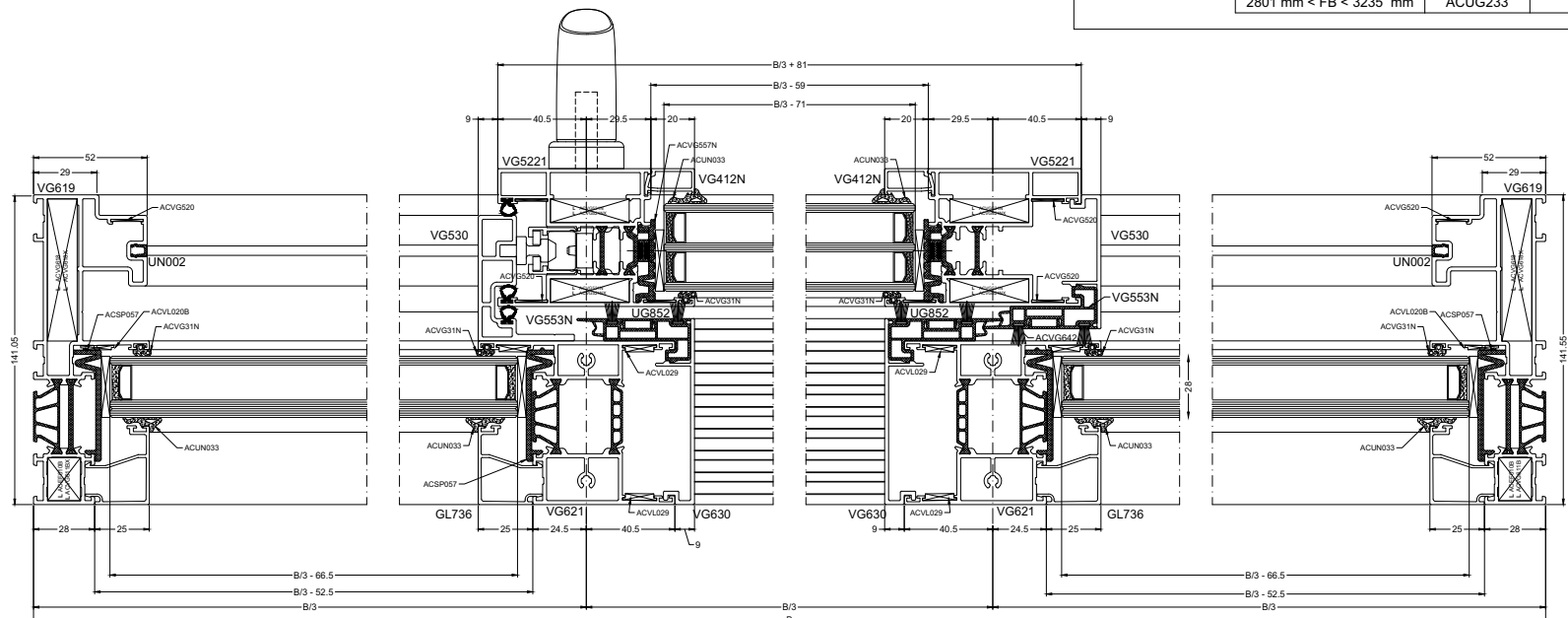
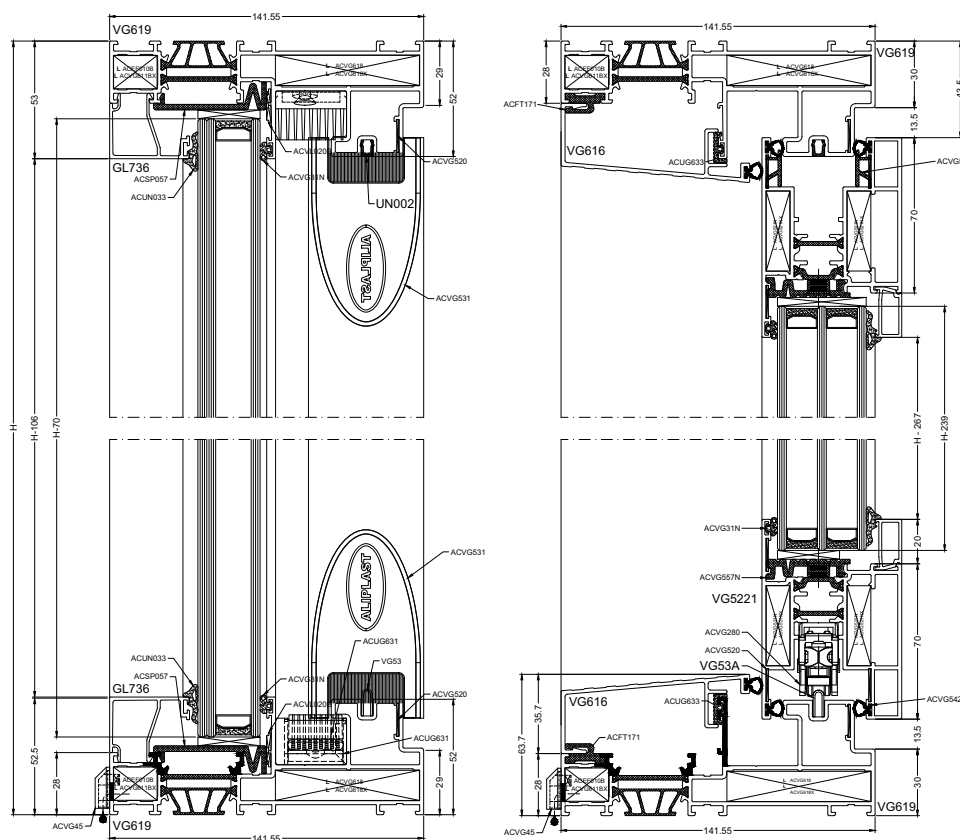
OF
OU
ODER
OR

MAXIMAAL VLEUGELGEWICHT
POIDS MAXIMUM PAR VANTAIL
MAXIMAL FLUGELGEWICHT
MAX. WEIGHT OF THE VENT

300KG

| | |
|----------------|-------|
| ACVG1280N | 1 |
| ACVG1274N | 1 |
| ACVG1275 | 18 |
| ACVG1277...279 | FH-76 |

| | | |
|------------------------|----------|---|
| ACUG230..233 | | |
| 1877 mm < FH < 2176 mm | ACVG1277 | 1 |
| 2177 mm < FH < 2476 mm | ACVG1278 | 1 |
| 2477 mm < FH < ... | ACVG1279 | 1 |
| 1120 mm < FB < 1800 mm | ACUG230 | 1 |
| 1801 mm < FB < 2300 mm | ACUG231 | 1 |
| 2301 mm < FB < 2800 mm | ACUG232 | 1 |
| 2801 mm < FB < 3235 mm | ACUG233 | 1 |

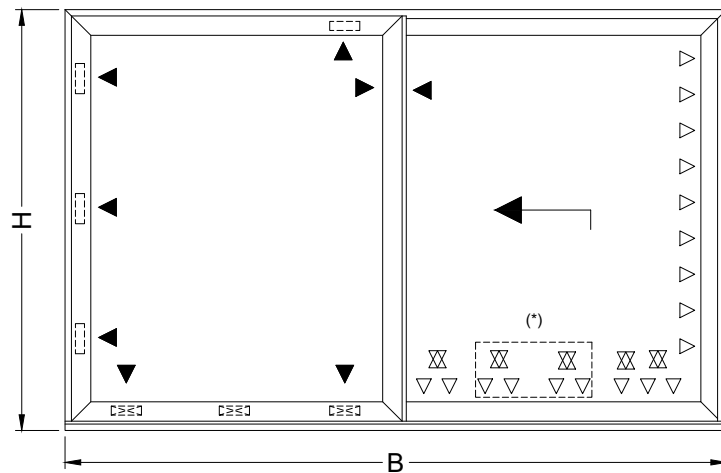


VG619-1RAIL-1F-20(LS)-1F (VG5221)

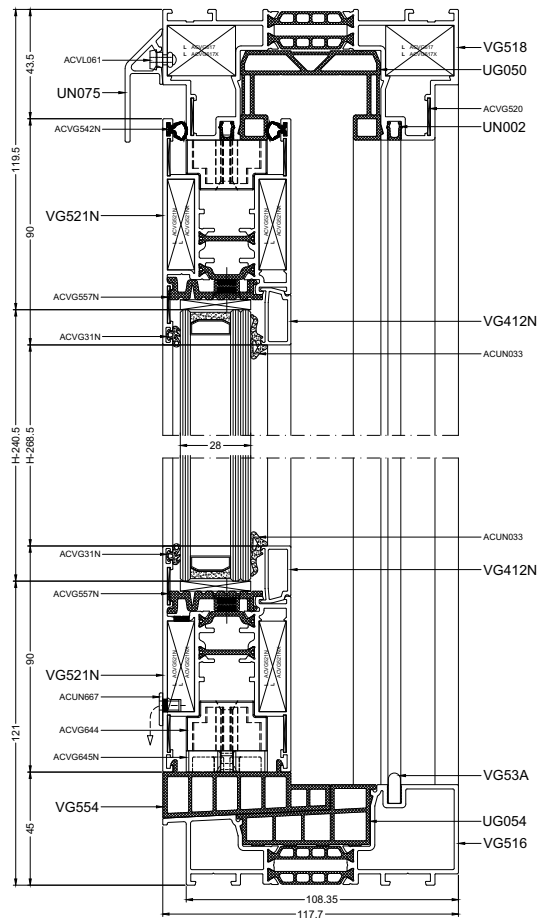
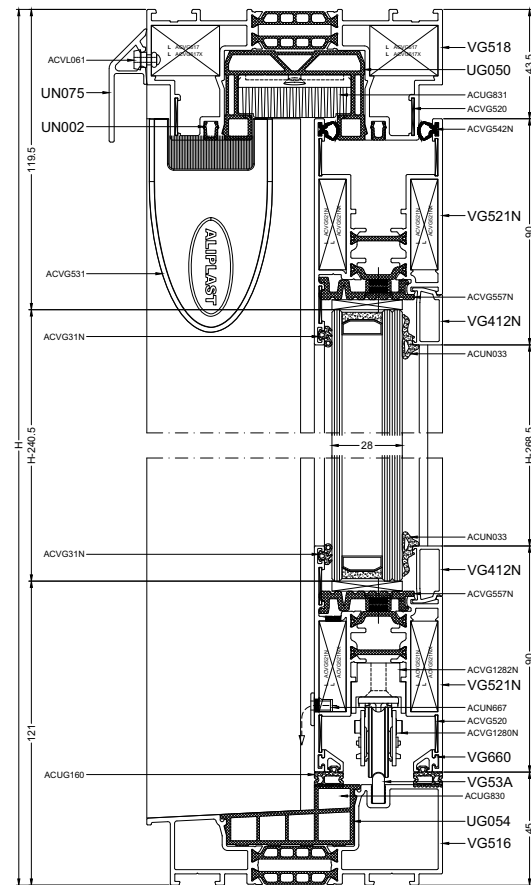


VG500 - HS

VG516(VG518)-1RAIL-1F - 20(LS)



- ▽ = ACVG1275
- ⊗ = ACVG1282N
- ▼ = ACVG557N
- = ACVG644
- = ACVG644+ACVG645N



| PROFIENEN / PROFILES / PROFILS / PROFILS | | | | |
|--|--|---|--|----------|
| VG518 | | 1 | | B |
| | | 1 | | H-40 |
| | | 1 | | H-40 |
| UG050 | | 1 | | B-33 |
| | | 1 | | H-56.5 |
| | | 1 | | H-56.5 |
| VG516 | | 1 | | B |
| UG054 | | 1 | | B |
| VG554 | | 1 | | B/2-15.5 |
| VG521N | | 4 | | B/2-3 |
| | | 4 | | H-88.5 |
| VG530 | | 1 | | H-70.2 |
| | | 1 | | H-88.5 |
| VG553N | | 1 | | H-73.5 |
| | | 1 | | H-88.5 |
| UG852 | | 1 | | H-73.5 |
| | | 1 | | H-88.5 |
| VG660 | | 2 | | B/2-18 |

| | | | | |
|-------|--|---|--|---------|
| VG4XX | | 4 | | B/2-143 |
| | | 4 | | H-268.5 |

| | | | | |
|---------|--|---|--|------|
| VG53(A) | | 1 | | B-94 |
|---------|--|---|--|------|

| | | | | |
|---------------|--|---|--|--------|
| UN002 VG52 | | 1 | | B-104 |
| | | 2 | | B/2-52 |
| | | 1 | | H-104 |
| | | 1 | | H-74 |

OVERZICHT HANDGREPEN, ZIE SZ CATALOGUS
APERCU POIGNEES, VOIR LE CATALOGUE SZ
OVERVIEW HANDLES, SEE SZ CATALOG
UEBERSICHT HANDGRIF, SIEHE SZ KATALOG

TOEBEHOREN / ACCESSOIRES ZUBEHOERTEILE / ACCESSORIES

| | | |
|------------|----|--|
| ACVG617 | 4 | |
| ACVG617X | 4 | |
| ACVG521N | 16 | |
| ACVG521NX | 16 | |
| ACVG520 | 28 | |
| ACVG557N | 8 | |
| ACVG644 | 7 | |
| ACVG645N | 3 | |
| ACUN348 | 1 | |
| ACUG831 | 1 | |
| ACVG515N | 4 | |
| ACVG516N | 1 | |
| ACVG518N | 1 | |
| ACVG519 | 1 | |
| ACUG123L/R | 1 | |
| ACVG528 | 6 | |
| ACVG531 | 2 | |
| ACUN667 | 4 | |

| | |
|---------|---|
| ACMX853 | 8 |
| ACUN161 | |

| | |
|----------|-------|
| ACVG542N | 4H+2B |
| ACVG642 | |
| ACVG642 | 4H |

| OPTIONEEL / EN OPTION / FAKULTATIV / OPTIONAL | | |
|---|---------|-----|
| UN075 | 1 | B-9 |
| ACUN075 | 1 | |
| ACVL061 | B/300+2 | |

| | | |
|----|--|--------|
| FB | VLEUGELBREEDTE LARGEUR VANTAIL BREITE FLUGEL WIDTH SASH | B/2-3 |
| FH | VLEUGELHOOGTE HAUTEUR D'OUVRANT FLUGEL HOHE VENT HEIGHT | H-88.5 |

| GLASMATEN / DIMENSIONS DES VITRAGES / GLASSMASSE / GLASS SIZE | | |
|--|---------|---------|
| 2X | B/2-155 | H-240.5 |

MAXIMAAL VLEUGELGEWICHT
POIDS MAXIMUM PAR VANTAIL
MAXIMAL FLUGELGEWICHT
MAX. WEIGHT OF THE VENT

| | |
|-----------|----|
| ACVG1280N | 1 |
| ACVG1275 | 14 |
| ACVG1282N | 3 |

| | |
|----------------|---------|
| ACVG1277...279 | FH-83.5 |
|----------------|---------|

| | | | |
|---------------|----------------------------|----------|---|
| ACUG230...232 | 1884.5 mm < FH < 2183.5 mm | ACVG1277 | 1 |
| | 2184.5 mm < FH < 2483.5 mm | ACVG1278 | |
| | 2484.5 mm < FH < ... | ACVG1279 | |

| | | | |
|---------------|------------------------|---------|---|
| ACUG230...233 | 700 mm < FB < 1410 mm | ACUG230 | 1 |
| | 1411 mm < FB < 1910 mm | ACUG231 | |
| | 1911 mm < FB < 2360 | ACUG232 | |

OF
OU
ODER
OR

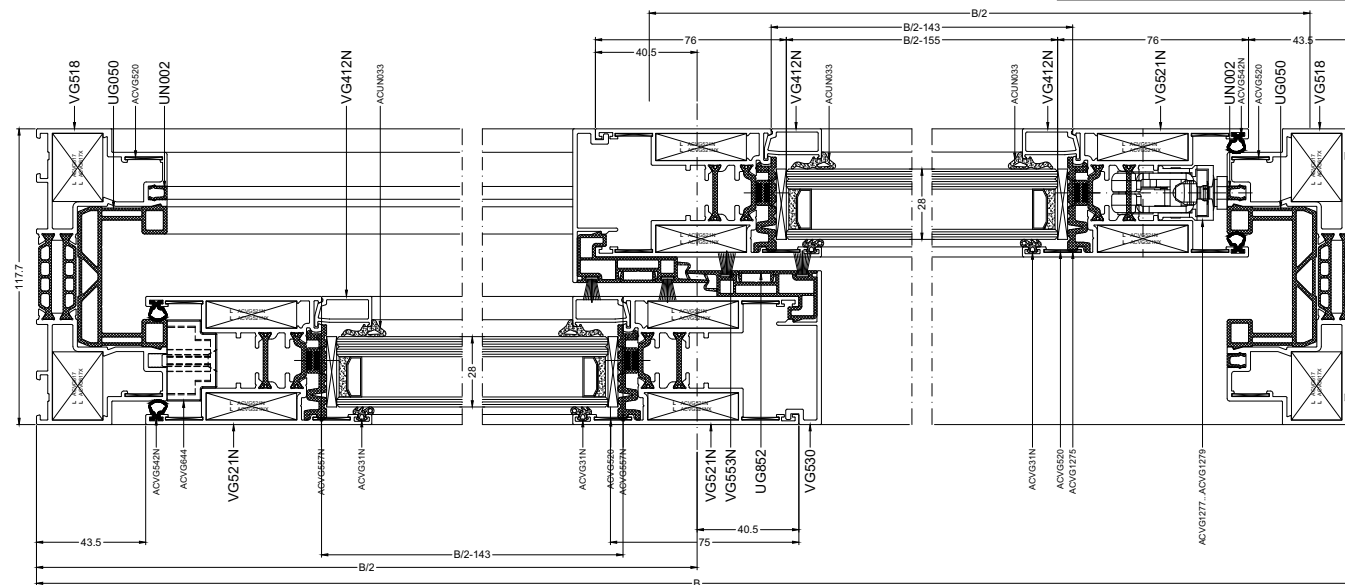
MAXIMAAL VLEUGELGEWICHT
POIDS MAXIMUM PAR VANTAIL
MAXIMAL FLUGELGEWICHT
MAX. WEIGHT OF THE VENT

| | |
|-----------|----|
| ACVG1280N | 1 |
| ACVG1274N | 1 |
| ACVG1275 | 18 |
| ACVG1282N | 5 |

| | |
|----------------|---------|
| ACVG1277...279 | FH-83.5 |
|----------------|---------|

| | | | |
|---------------|----------------------------|----------|---|
| ACUG230...233 | 1884.5 mm < FH < 2183.5 mm | ACVG1277 | 1 |
| | 2184.5 mm < FH < 2483.5 mm | ACVG1278 | |
| | 2484.5 mm < FH < ... | ACVG1279 | |

| | | | |
|---------------|------------------------|---------|---|
| ACUG230...233 | 1280 mm < FB < 2060 mm | ACUG230 | 1 |
| | 2061 mm < FB < 2560 mm | ACUG231 | |
| | 2561 mm < FB < 3060 mm | ACUG232 | |
| | 3061 mm < FB < 3230 mm | ACUG233 | |



VG516(VG518)-1RAIL-1F-20(LS) (HS)

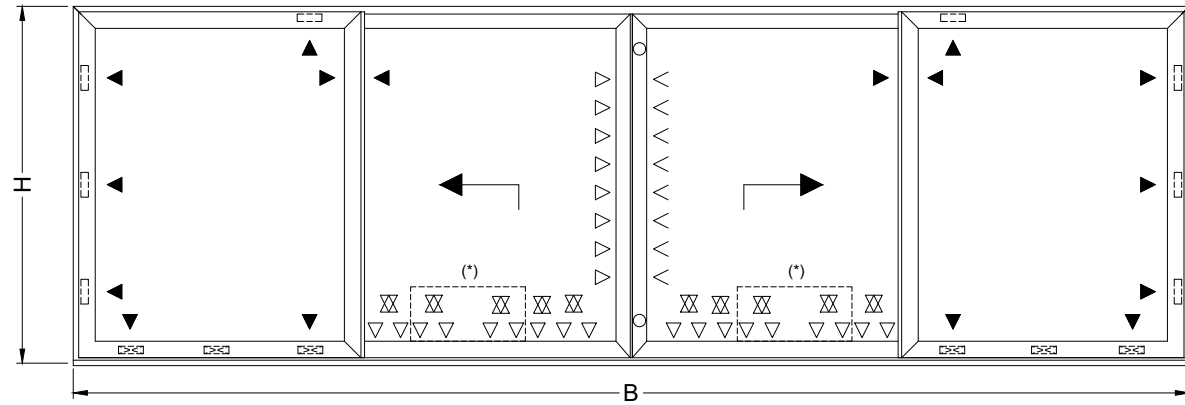
aliplast
member of



VG500

VG500 - HS

VG516(VG518)-1RAIL-1F - 2O(LS) - 2O (LS) - 1F



- ▽ = ACVG1275
- ∇ = ACVG1276
- ▼ = ACVG557N
- = ACVG644
- ▣ = ACVG644+ACVG645N
- = ACVG1240
- ⊗ = ACVG1282N

PROFIELEN / PROFILES / PROFILS / PROFILS

| | | |
|--------|---|-----------|
| VG516 | 1 | B |
| VG518 | 1 | B |
| | 1 | H - 40 |
| | 1 | H - 40 |
| UG050 | 1 | B-33 |
| | 1 | H-56.5 |
| | 1 | H-56.5 |
| VG521N | 8 | B/4+16.75 |
| | 8 | H-88.5 |
| VG530 | 2 | H-70.2 |
| | 2 | H-88.5 |
| VG553N | 2 | H-73.5 |
| | 2 | H-88.5 |
| UG852 | 2 | H-73.5 |
| | 2 | H-88.5 |
| VG660 | 4 | B/4+1.75 |
| VG542 | 1 | H-77 |
| UG054 | 1 | B |
| VG554 | 1 | B/4+4.25 |

| | | |
|-------|---|------------|
| VG4XX | 8 | B/4-123.25 |
| | 8 | H-268.5 |

| | | |
|---------|---|------|
| VG53(A) | 1 | B-94 |
|---------|---|------|

| | | |
|-------|---|----------|
| UN002 | 1 | B-104 |
| VG52 | 1 | B/2-76.1 |
| | 2 | H-92 |

OPTIONEEL / EN OPTION / FAKULTATIV / OPTIONAL

| | | |
|---------|---------|-----|
| UN075 | 1 | B-9 |
| ACUN075 | 1 | |
| ACVL061 | B/300+2 | |

TOEBEHOREN / ACCESSOIRES ZUBEHÖRTEILE / ACCESSORIES

| | |
|-----------|----|
| ACVG617 | 4 |
| ACVG617X | |
| ACVG521N | 32 |
| ACVG521NX | |
| ACVG515N | 1 |
| ACVG516N | 1 |
| ACVG518N | 1 |
| ACVG519 | 2 |
| ACVG520 | 52 |
| ACVG557N | 16 |
| ACVG644 | 14 |
| ACVG645 | 6 |
| ACUN348 | 2 |
| ACVG564 | 1 |
| ACVG528 | 12 |
| ACVG543 | 1 |
| ACVG531 | 4 |
| ACUG831 | 2 |
| ACVG1240 | 1 |
| ACVG1276 | 1 |
| ACUN667 | 8 |

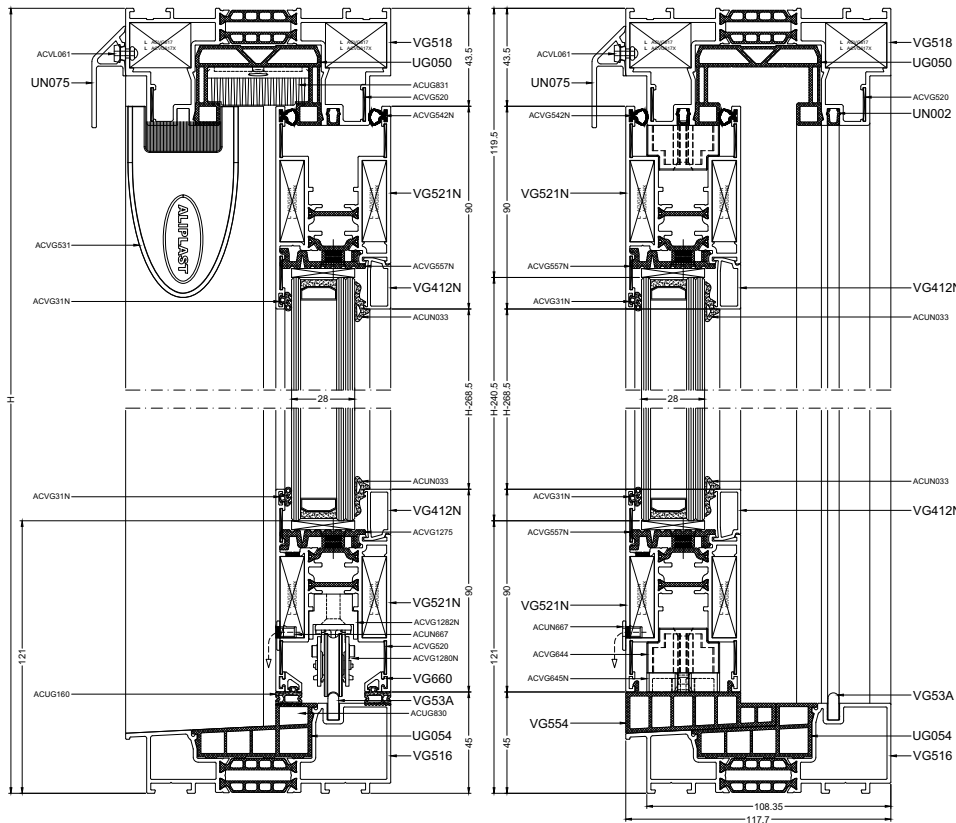
| | |
|---------|----|
| ACMX853 | 8 |
| ACUN161 | |
| ACMX854 | 64 |
| ACUN160 | |

| | |
|------------------|------------|
| ACVG542N | 7H+4B-300 |
| ACVG642 | B/2+50 |
| ACUG160 | 8H+2B-2900 |
| ACVG31N | 8H+2B-2900 |
| ACUN033 (3-5 mm) | 8H+2B-2900 |
| ACUN036 (6-8 mm) | 8H+2B-2900 |
| ACVG642 | 8H-240 |

GLASMATEN / DIMENSIONS DES VITRAGES / GLASSMASSE / GLASS SIZE

| | | |
|----|------------|---------|
| 4X | B/4-135.25 | H-240.5 |
|----|------------|---------|

| | | |
|----|--|-----------|
| FB | VLEUGELBREEDTE LARGEUR VANTAIL BREITE FLUGEL WIDTH SASH | B/4+16.75 |
| FH | VLEUGELHOOGTE HAUTEUR D'OUVRANT FLUGEL HOHE VENT HEIGHT | H-88.5 |



MAXIMAAL VLEUGELGEWICHT
POIDS MAXIMUM PAR VANTAIL
MAXIMAL FLUGELGEWICHT
MAX. WEIGHT OF THE VENT

250KG

| | |
|-----------|----|
| ACVG1280N | 2 |
| ACVG1275 | 18 |
| ACVG1282N | 6 |

ACVG1277...279 FH-83.5

| | | |
|----------------------------|----------|---|
| 1884.5 mm < FH < 2183.5 mm | ACVG1277 | 2 |
| 2184.5 mm < FH < 2483.5 mm | ACVG1278 | |
| 2484.5 mm < FH < ... | ACVG1279 | |

ACUG230...232

| | | |
|------------------------|---------|---|
| 700 mm < FB < 1410 mm | ACUG230 | 2 |
| 1411 mm < FB < 1910 mm | ACUG231 | |
| 1911 mm < FB < 2360 | ACUG232 | |

MAXIMAAL VLEUGELGEWICHT
POIDS MAXIMUM PAR VANTAIL
MAXIMAL FLUGELGEWICHT
MAX. WEIGHT OF THE VENT

300KG

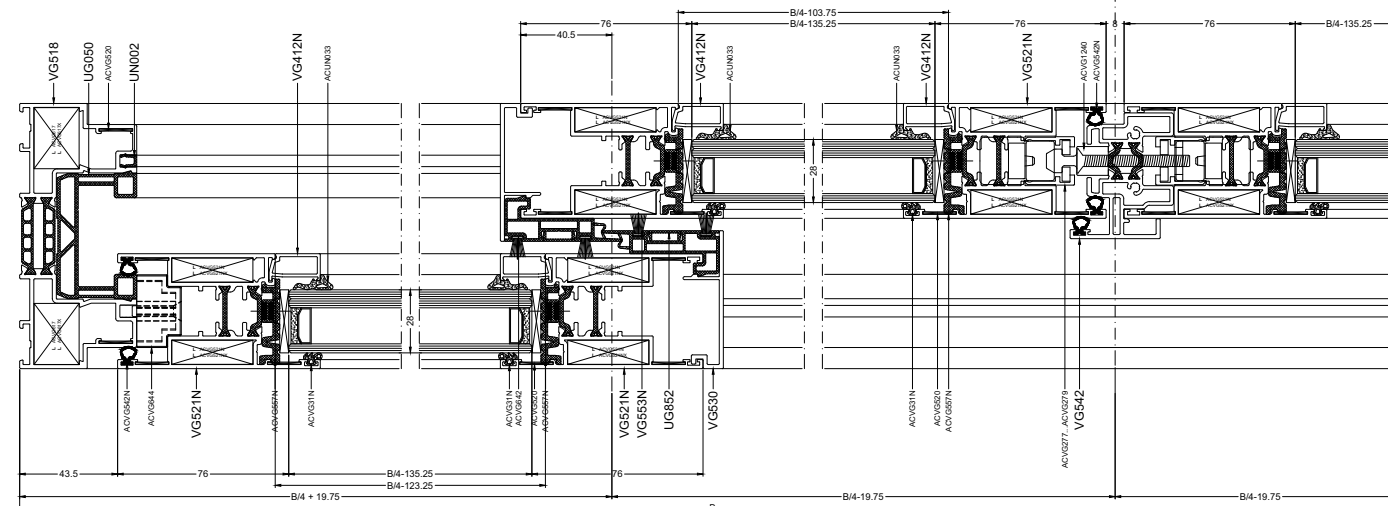
| | |
|-----------|----|
| ACVG1280N | 2 |
| ACVG1274N | 2 |
| ACVG1275 | 26 |
| ACVG1282N | 10 |

ACVG1277...279 VH-83.5

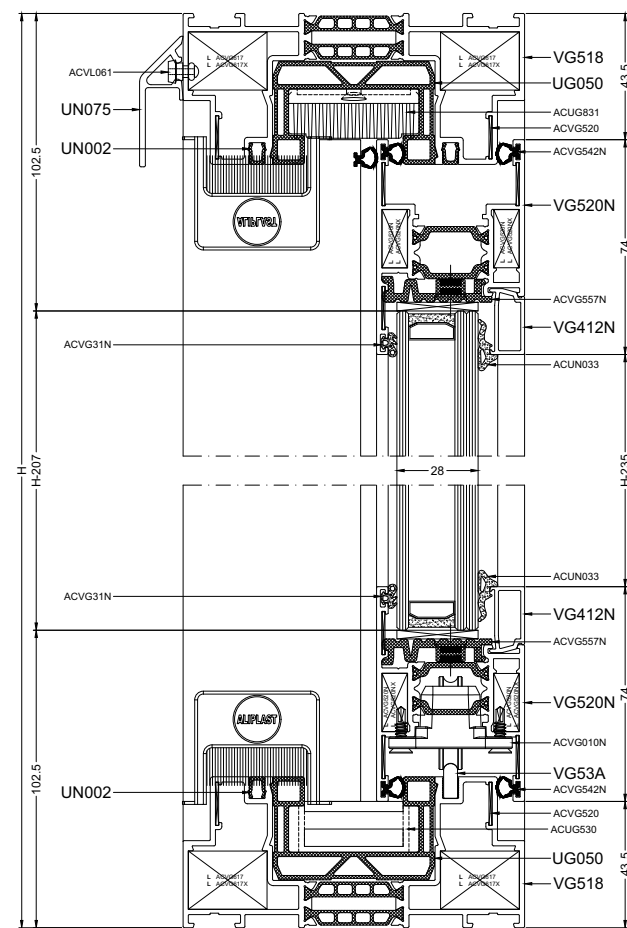
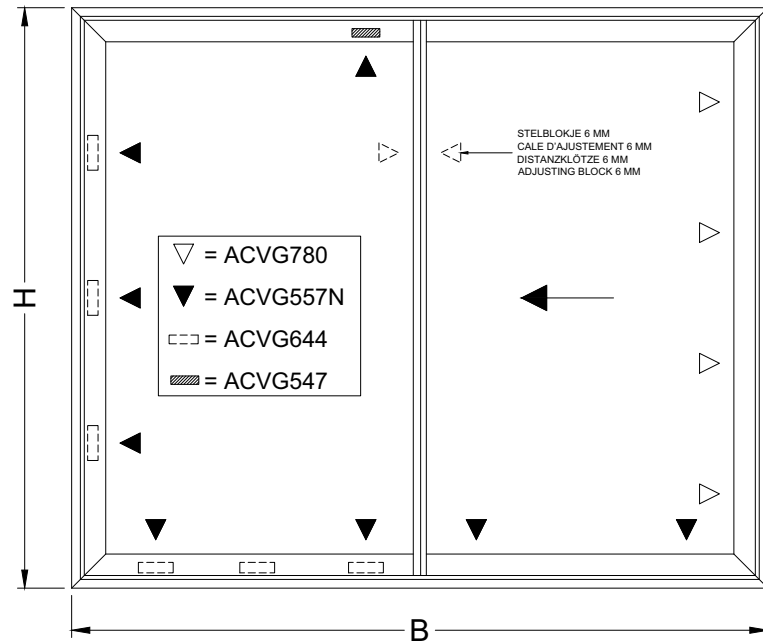
| | | |
|----------------------------|----------|---|
| 1884.5 mm < FH < 2183.5 mm | ACVG1277 | 2 |
| 2184.5 mm < FH < 2483.5 mm | ACVG1278 | |
| 2484.5 mm < FH < ... | ACVG1279 | |

ACUG230...233

| | | |
|------------------------|---------|---|
| 1280 mm < FB < 2060 mm | ACUG230 | 2 |
| 2061 mm < FB < 2560 mm | ACUG231 | |
| 2561 mm < FB < 3060 mm | ACUG232 | |
| 3061 mm < FB < 3230 mm | ACUG233 | |



VG518-2RAIL-1F-20 - MAXLIGHT



PROFIELEN / PROFILES / PROFILS / PROFILS

| | | | | |
|--------|--|---|--|--------|
| VG518 | | 2 | | B |
| | | 2 | | H |
| UG050 | | 2 | | B-33 |
| | | 2 | | H-33 |
| VG520N | | 2 | | B/2-46 |
| | | 2 | | H-87 |
| VG522 | | 2 | | H-87 |
| VG531 | | 2 | | H-87 |
| UG551 | | 2 | | H-87 |

| | | | | |
|-------|--|---|--|---------|
| VG4XX | | 4 | | B/2-100 |
| | | 4 | | H-235 |

| | | | | |
|---------|--|---|--|------|
| VG53(A) | | 1 | | B-94 |
|---------|--|---|--|------|

| | | | | |
|--|--|---|--|--------|
| UN002 <small>OF UN02081 OR VG52</small> | | 1 | | B-104 |
| | | 2 | | B/2-50 |
| | | 3 | | H-104 |

OPTIONEEL / EN OPTION / FAKULTATIV / OPTIONAL

| | | | | |
|---------|--|---|---------|-----|
| UN075 | | 1 | | B-9 |
| ACUN075 | | 1 | | |
| ACVL061 | | | B/300+2 | |

TOEBEHOREN / ACCESSOIRES ZUBEHÖRTEILE / ACCESSORIES

| | | | | |
|---|----|--|--------------------|----|
| ACVG617 | 8 | | ACMX853 ACUN161 | 16 |
| ACVG617X | 8 | | | |
| ACVG520N | 8 | | ACMX854 ACUN160 | 16 |
| ACVG520NX | 8 | | | |
| ACVG522 | 8 | | | |
| ACVG520 | 20 | | | |
| ACVG557N | 8 | | | |
| ACVG644 | 6 | | | |
| ACVG547 | 1 | | | |
| ACUN348 | 1 | | | |
| ACVG45 <small>OF UN02081 OR ACGSL045</small> | | | | |
| ACUN045 | | | | |
| ACVG534 | | | | |
| ACVG528 | 6 | | | |
| ACVG525 | 4 | | | |
| ACVG534 | 4 | | | |
| ACUG831 | 1 | | | |
| ACUG530 | 1 | | | |
| ACVG780 | 1 | | | |

| | |
|--------------------|----|
| ACMX853 ACUN161 | 16 |
|--------------------|----|

| | |
|--------------------|----|
| ACMX854 ACUN160 | 16 |
|--------------------|----|

| | | |
|----|--|--------|
| FB | VLEUGELBREEDTE LARGEUR VANTAIL BREITE FLUGEL WIDTH SASH | B/2-31 |
| FH | VLEUGELHOOGTE HAUTEUR D'OUVRANT FLUGEL HOHE VENT HEIGHT | H-87 |

GLASMATEN / DIMENSIONS DES VITRAGES / GLASSMASSE / GLASS SIZE

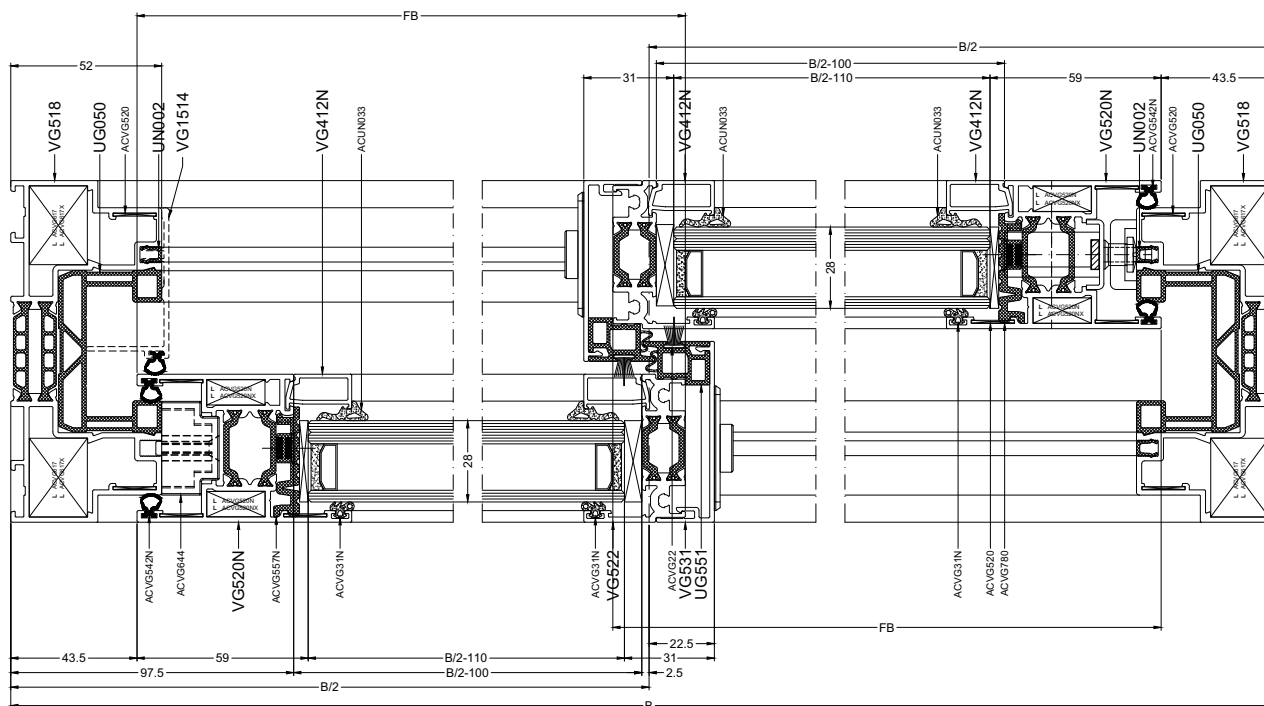
| | | |
|----|---------|-------|
| 2X | B/2-111 | H-207 |
|----|---------|-------|

MAXIMAAL VLEUGELGEWICHT
POIDS MAXIMUM PAR VANTAIL
MAXIMAL FLUGELGEWICHT
MAX. WEIGHT OF THE VENT

| | | | |
|--|---|--|------------------|
| ACVG010N <small>OF UN02081 OR ACUN045</small> | 2 | | 250 KG 200 KG |
| ACVG110N | 2 | | |

OVERZICHT SLOTEN, ZIE SZ CATALOGUS
APERCU SERRURES, VOIR LE CATALOGUE SZ
OVERVIEW LOCKS, SEE SZ CATALOG
UEBERSICHT SCHLOSSER, SIEHE SZ KATALOG

| | |
|--|------------|
| ACVG542N <small>OF UN02081 OR ACUN045</small> | 4H+4B-500 |
| ACVG642 | 4H+4B-500 |
| ACVG22 | 2H |
| ACVG31N | 4H+2B-1300 |
| ACUN033 (3 - 5 mm) | 4H+2B-1300 |
| ACUN036 (6 - 8 mm) | 4H+2B-1300 |



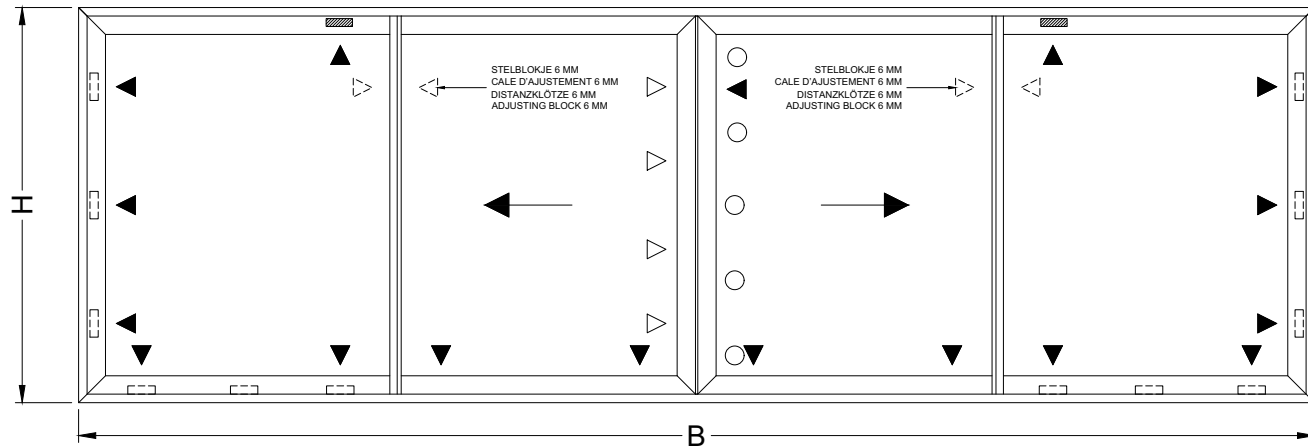
VG518-2RAIL-1F-20-SLIM

aliplast
member of



VG500

VG518-2RAIL-1F-20-20-1F - MAXLIGHT



PROFIELN / PROFILES / PROFILS / PROFILS

| | | | | |
|----------|--|---|--|----------|
| VG518 | | 2 | | B |
| | | 2 | | H |
| UG050 | | 2 | | B-33 |
| | | 2 | | H-33 |
| VG520N | | 4 | | H-87 |
| | | 4 | | B/4-26.3 |
| | | 4 | | B/4-26.3 |
| VG522 | | 4 | | H-87 |
| VG531 | | 4 | | H-87 |
| UG551 | | 4 | | H-87 |
| (*)VG542 | | 1 | | H-87 |

| | | | | |
|-------|--|---|--|--------|
| VG4XX | | 8 | | B-86.3 |
| | | 8 | | H-235 |

| | | | | |
|---------|--|---|--|------|
| VG53(A) | | 1 | | B-94 |
|---------|--|---|--|------|

| | | | | |
|---|--|---|--|----------|
| UN002 <small>OF (OU) COÖR. OF (OR)</small> VG52 | | 1 | | B-104 |
| | | 2 | | B/2-64.5 |
| | | 2 | | H-104 |

OPTIONEEL / EN OPTION / FAKULTATIV / OPTIONAL

| | | | | |
|---------|---|---|--|---------|
| UN075 | f | 1 | | B-9 |
| ACUN075 | | | | 1 |
| ACVL061 | | | | B/300+2 |

TOEBEHOREN / ACCESSOIRES ZUBEHÖRTEILE / ACCESSORIES

| | | | |
|-----------|----|--------------------|----|
| ACVG617 | 8 | ACMX853 ACUN161 | 16 |
| ACVG617X | 8 | | |
| ACVG520N | 16 | ACMX854 ACUN160 | 32 |
| ACVG520NX | 16 | | |

| | |
|----------|-------|
| ACVG522 | 16 |
| ACVG520 | 32 |
| ACVG557N | 19 |
| ACVG644 | 12 |
| ACVG547 | 2 |
| ACUN348 | 2 |
| ACVG543 | 1 |
| ACVG45 | |
| ACGSL045 | |
| ACUN045 | |
| ACVG534 | |
| ACVG525 | 8 |
| ACVG528 | 12 |
| ACUG530 | 2 |
| ACUG831 | 2 |
| ACVG780 | 1 |
| ACVG740 | H/300 |
| ACVG580 | 1 |
| ACVG81 | 1 |

| | |
|----------|---|
| ACVG010N | |
| ACVG110N | 4 |

| | |
|--------------------|------------|
| ACVG542N | 7H+4B-500 |
| ACVG642 | 4H |
| ACVG31N | 8H+2B-2400 |
| ACUN033 (3 - 5 mm) | 8H+2B-2400 |
| ACUN036 (6 - 8 mm) | 8H+2B-2400 |

| | | |
|----|--|-----------|
| FB | VLEUGELBREEDTE LARGEUR VANTAIL BREITE FLÜGEL WIDTH SASH | B/4-11.25 |
| FH | VLEUGELHOOGTE HAUTEUR D'OUVRANT FLÜGEL HOHE VENT HEIGHT | H-87 |

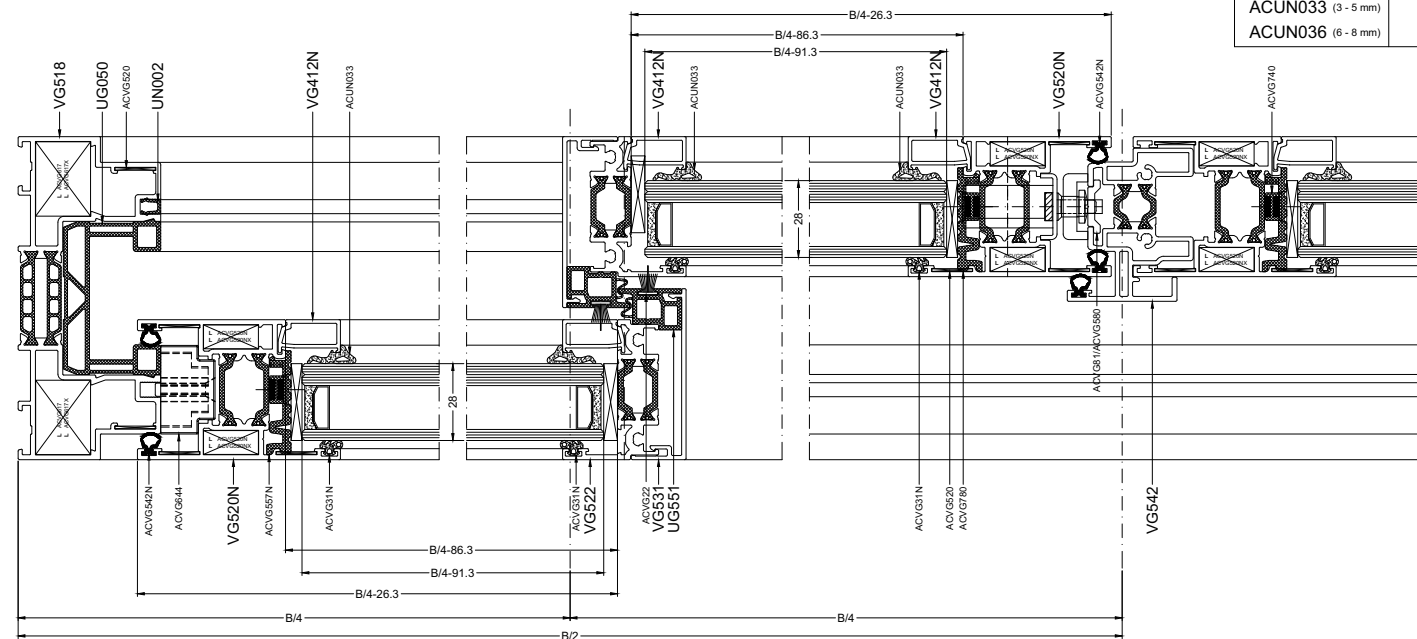
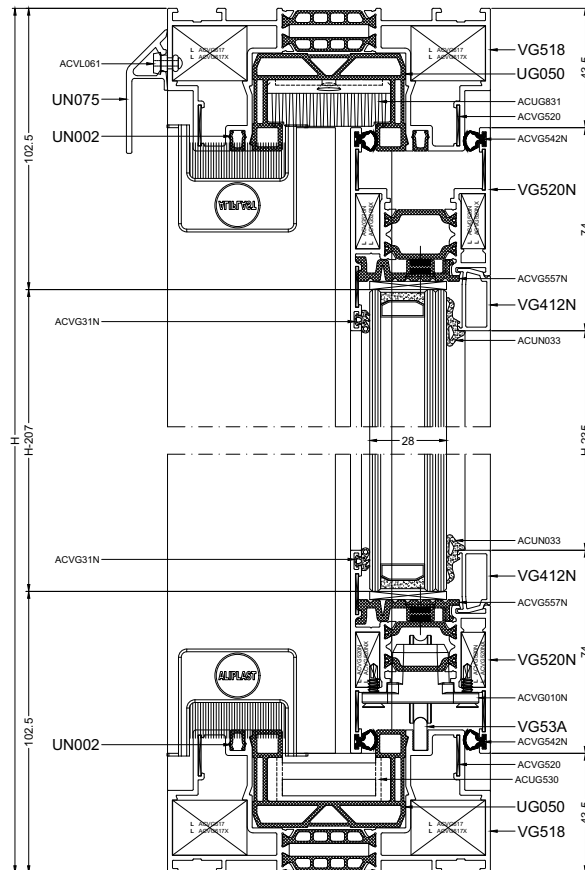
GLASMATEN / DIMENSIONS DES VITRAGES / GLASSMASSE / GLASS SIZE

| | | |
|----|----------|-------|
| 4X | B/4-91.3 | H-207 |
|----|----------|-------|

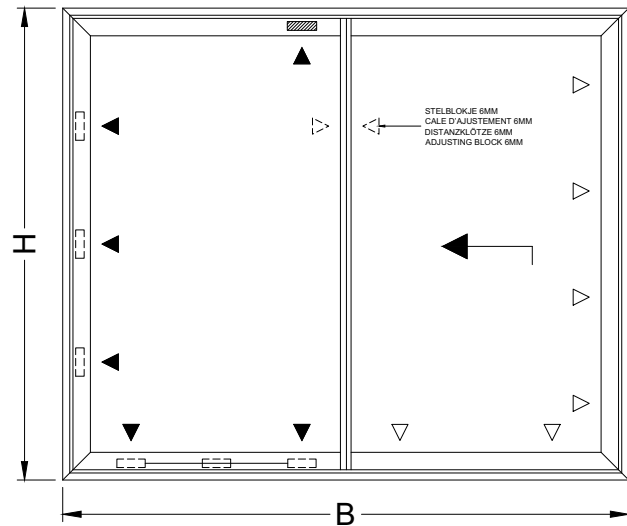
MAXIMAAL VLEUGELGEWICHT
POIDS MAXIMUM PAR VANTAIL
MAXIMAL FLÜGELGEWICHT
MAX. WEIGHT OF THE VENT

| | |
|--|----------|
| | → 250 KG |
| | → 200 KG |

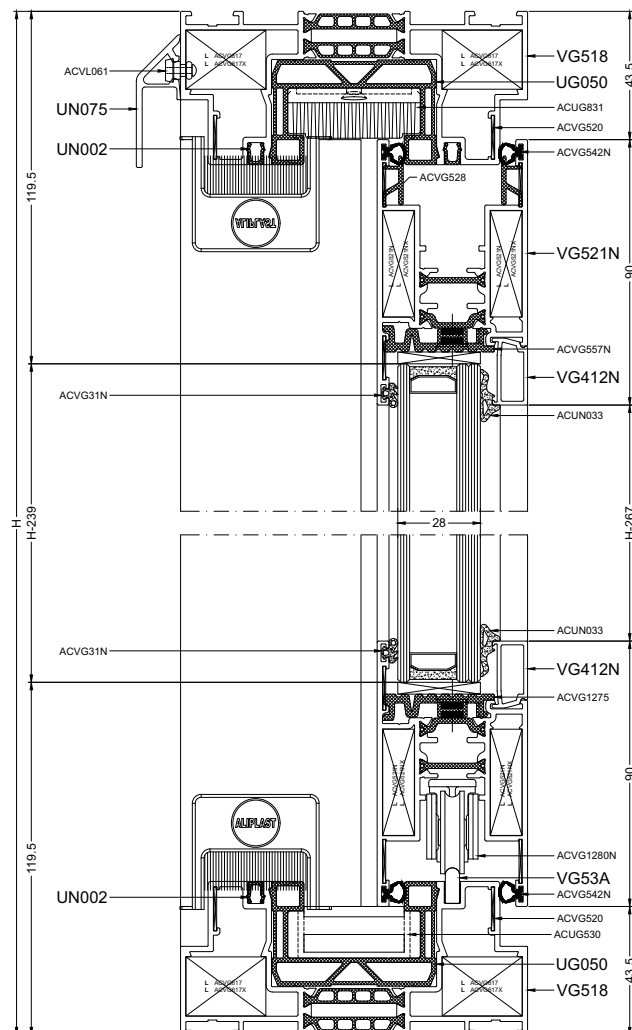
OVERZICHT SLOTEN, ZIE SZ CATALOGUS
APERCU SERRURES, VOIR LE CATALOGUE SZ
OVERVIEW LOCKS, SEE SZ CATALOG
UEBERSICHT SCHLOSSER, SIEHE SZ KATALOG



VG518-2RAIL-1F-20(LS) - MAXLIGHT



- ▽ = ACVG280N
- ▼ = ACVG557N
- = ACVG644
- ▨ = ACVG547



PROFIELEN / PROFILES / PROFILS / PROFILS

| | | | | |
|--------|--|---|--|--------|
| VG518 | | 2 | | B |
| | | 2 | | H |
| UG050 | | 2 | | B-33 |
| | | 2 | | H-33 |
| VG521N | | 2 | | B/2-46 |
| | | 2 | | H-87 |
| VG522 | | 2 | | H-87 |
| VG531 | | 2 | | H-87 |
| UG551 | | 2 | | H-87 |

| | | | | |
|-------|--|---|--|---------|
| VG4XX | | 4 | | H-267 |
| | | 4 | | B/2-116 |

| | | | | |
|---------|--|---|--|------|
| VG53(A) | | 1 | | B-94 |
|---------|--|---|--|------|

| | | | | |
|----------------------------|--|---|--|--------|
| UN002 OF UN1000 VG52 | | 1 | | B-104 |
| | | 2 | | B/2-50 |
| | | 3 | | H-104 |

OPTIONEEL / EN OPTION / FAKULTATIV / OPTIONAL

| | | | | |
|---------|--|---|--|---------|
| UN075 | | 1 | | B-9 |
| ACUN075 | | 1 | | |
| ACVL061 | | | | B/300+2 |

TOEBEHOREN / ACCESSOIRES ZUBEHÖRTEILE / ACCESSORIES

| | | |
|---------------------------|--------|--------------------|
| ACVG617 OF UG050/2000 | 8 | |
| ACVG617X | | ACMX853 ACUN161 |
| ACVG521N OF UG050/2000 | 8 | |
| ACVG521NX | | ACMX854 ACUN160 |
| ACVG512 | 8 | |
| ACVG520 | 16 | |
| ACVG557N | 6 | |
| ACVG644 | 6 | |
| ACVG547 | 1 | |
| ACUN348 | 1 | |
| ACVG45 OF UG050/2000 | | MAX 800 mm (B) |
| ACGSL045 OF UG050/2000 | | |
| ACUN045 | | |
| ACVG528 | 4 | |
| ACVG525 | 4 | |
| ACVG534 | | MAX 800 mm (2x FB) |
| ACUG530 | 1 | |
| ACUG831 | 1 | |
| ACVG280N | 1 | |
| ACVG269...273 | FB-586 | |

| | |
|---------|----|
| ACMX853 | 16 |
| ACUN161 | |

| | |
|---------|----|
| ACMX854 | 16 |
| ACUN160 | |

| | | |
|----|--|--------|
| FB | VLEUGELBREEDTE LARGEUR VANTAIL BREITE FLUGEL WIDTH SASH | B/2-31 |
| FH | VLEUGELHOOGTE HAUTEUR D'OUVRANT FLUGEL HOHE VENT HEIGHT | H-87 |

GLASMATEN / DIMENSIONS DES VITRAGES / GLASSIZE / GLASS SIZE

| | | |
|----|---------|-------|
| 2X | B/2-128 | H-239 |
|----|---------|-------|

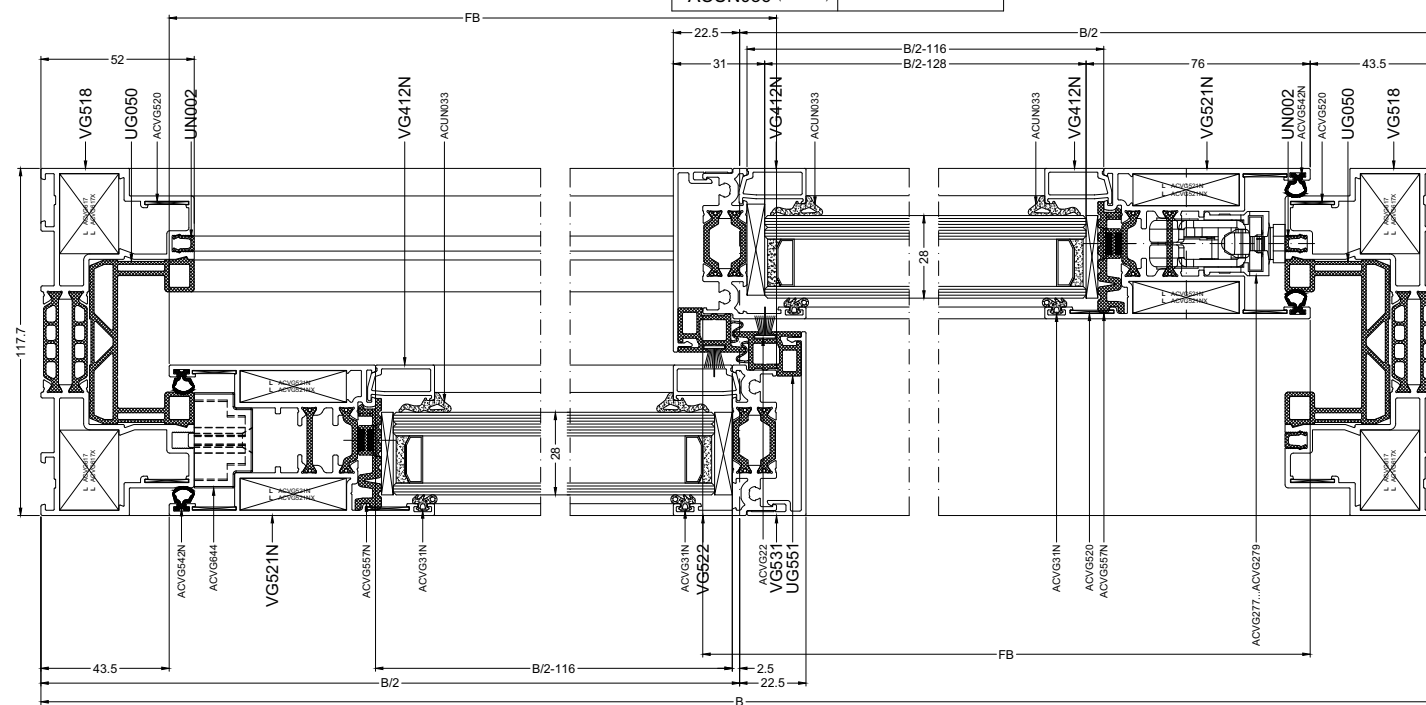
| | |
|--|--------|
| MAXIMAAL VLEUGELGEWICHT POIDS MAXIMUM PAR VANTAIL MAXIMAL FLUGELGEWICHT MAX. WEIGHT OF THE VENT | 200 KG |
|--|--------|

| | | |
|------------------------|---------|---|
| 702 mm < FB < 1278 mm | ACVG269 | 1 |
| 1206 mm < FB < 1782 mm | ACVG270 | |
| 1710 mm < FB < 2286 mm | ACVG271 | |
| 2214 mm < FB < 2790 mm | ACVG272 | |
| 2718 mm < FB < 3294 mm | ACVG273 | |

| | |
|---------------|--------|
| ACVG277...279 | FH-118 |
|---------------|--------|

| | | |
|------------------------|---------|---|
| 1718 mm < FH < 2218 mm | ACVG277 | 1 |
| 2118 mm < FH < 2618 mm | ACVG278 | |
| 2418 mm < FH < ... | ACVG279 | |

| | |
|---------------------------|------------|
| ACVG542N OF UG050/2000 | 4H+4B-500 |
| ACVG642 | |
| ACVG22 | 2H |
| ACVG31N | 4H+2B-1300 |
| ACUN033 (3 - 5 mm) | 4H+2B-1300 |
| ACUN036 (6 - 8 mm) | |



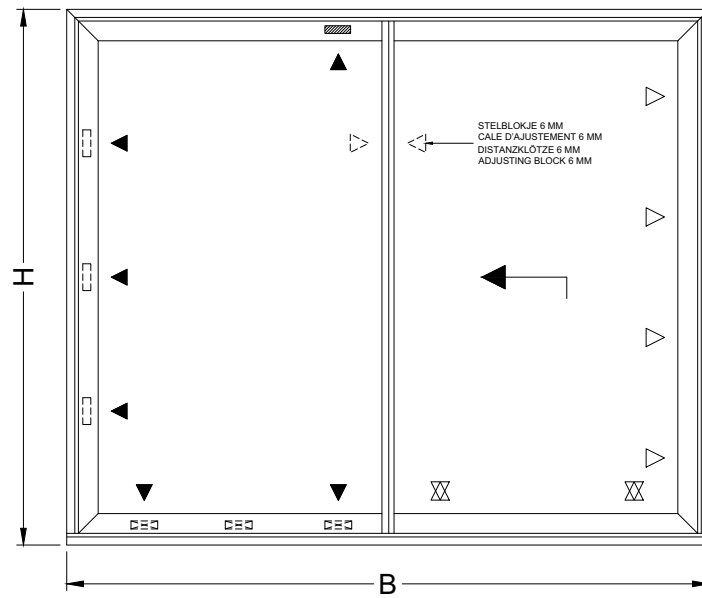
VG518-2RAIL-1F-20(LS)-SLIM

aliplast
member of



VG500

VG516-1RAIL-1F-20(LS) - MAXLIGHT



OPTIONEEL / EN OPTION / FAKULTATIV / OPTIONAL

| | | | |
|---------|---|---------|-----|
| UN075 | f | 1 | B-9 |
| ACUN075 | | 1 | |
| ACVL061 | | B/300+2 | |

- ▽ = ACVG280N
- ⊗ = ACVG280N+ACVG1282N
- ▼ = ACVG557N
- = ACVG644
- = ACVG644+ACVG645N
- ▬ = ACVG547

PROFIËLEN / PROFILES / PROFILES / PROFILS

| | | |
|--------|---|----------|
| VG518 | 1 | B |
| | 1 | H-40 |
| | 1 | H-40 |
| UG050 | 1 | B-33 |
| | 1 | H-56.5 |
| | 1 | H-56.5 |
| VG516 | 1 | B |
| UG054 | 1 | B |
| VG554 | 1 | B/2-78.5 |
| | 2 | B/2-46 |
| | 2 | H-88.5 |
| VG521N | 2 | B/2-46 |
| | 2 | H-88.5 |
| VG531 | 2 | H-88.5 |
| VG522 | 2 | H-88.5 |
| UG551 | 2 | H-84.5 |
| VG660 | 1 | B/2-76 |
| | 1 | B/2-56 |

| | | |
|-------|---|---------|
| VG4XX | 4 | B/2-116 |
| | 4 | H-268.5 |

| | | |
|---------|---|------|
| VG53(A) | 1 | B-94 |
|---------|---|------|

| | | |
|-------|---|--------|
| UN002 | 1 | B-104 |
| VG52 | 1 | B/2-52 |
| | 2 | H-92 |

TOEBEHOREN / ACCESSOIRES
ZUBEHÖRTEILE / ACCESSORIES

| | |
|---------------|--------|
| ACVG617 | 4 |
| ACVG617X | 8 |
| ACVG521N | 8 |
| ACVG521NX | 16 |
| ACVG512 | 8 |
| ACVG520 | 16 |
| ACVG557N | 6 |
| ACVG644 | 6 |
| ACVG547 | 1 |
| ACVG645N | 3 |
| ACUN348 | 1 |
| ACUG831 | 1 |
| ACVG515N | 4 |
| ACVG516N | 1 |
| ACVG525 | 2 |
| ACVG526 | 1 |
| ACVG519 | 1 |
| ACUG123L/R | 1 |
| ACVG528 | 6 |
| ACUN667 | 4 |
| ACVG280N | 1 |
| ACVG1282N | 2 |
| ACVG269...273 | FB-586 |

| | |
|---------|----|
| ACMX853 | 8 |
| ACUN161 | |
| ACMX854 | 16 |
| ACUN160 | |

| | | |
|----|--|--------|
| FB | VLEUGELBREEDTE LARGEUR VANTAIL BREITE FLUGEL WIDTH SASH | B/2-31 |
| FH | VLEUGELHOOGTE HAUTEUR D'OUVRANT FLUGEL HOHE VENT HEIGHT | H-88.5 |

MAXIMAAL VLEUGELGEWICHT
POIDS MAXIMUM PAR VANTAIL
MAXIMAL FLUGELGEWICHT
MAX. WEIGHT OF THE VENT

200 KG

GLASMATEN / DIMENSIONS DES
VITRAGES / GLASSMASSE / GLASS SIZE

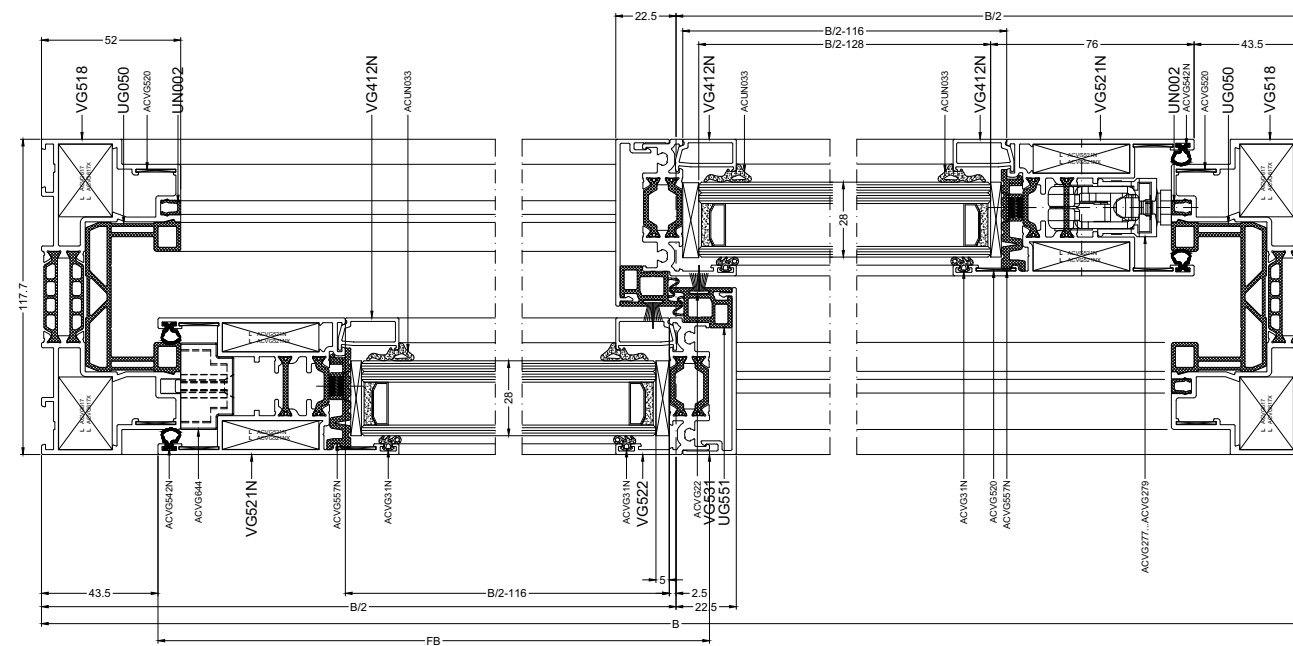
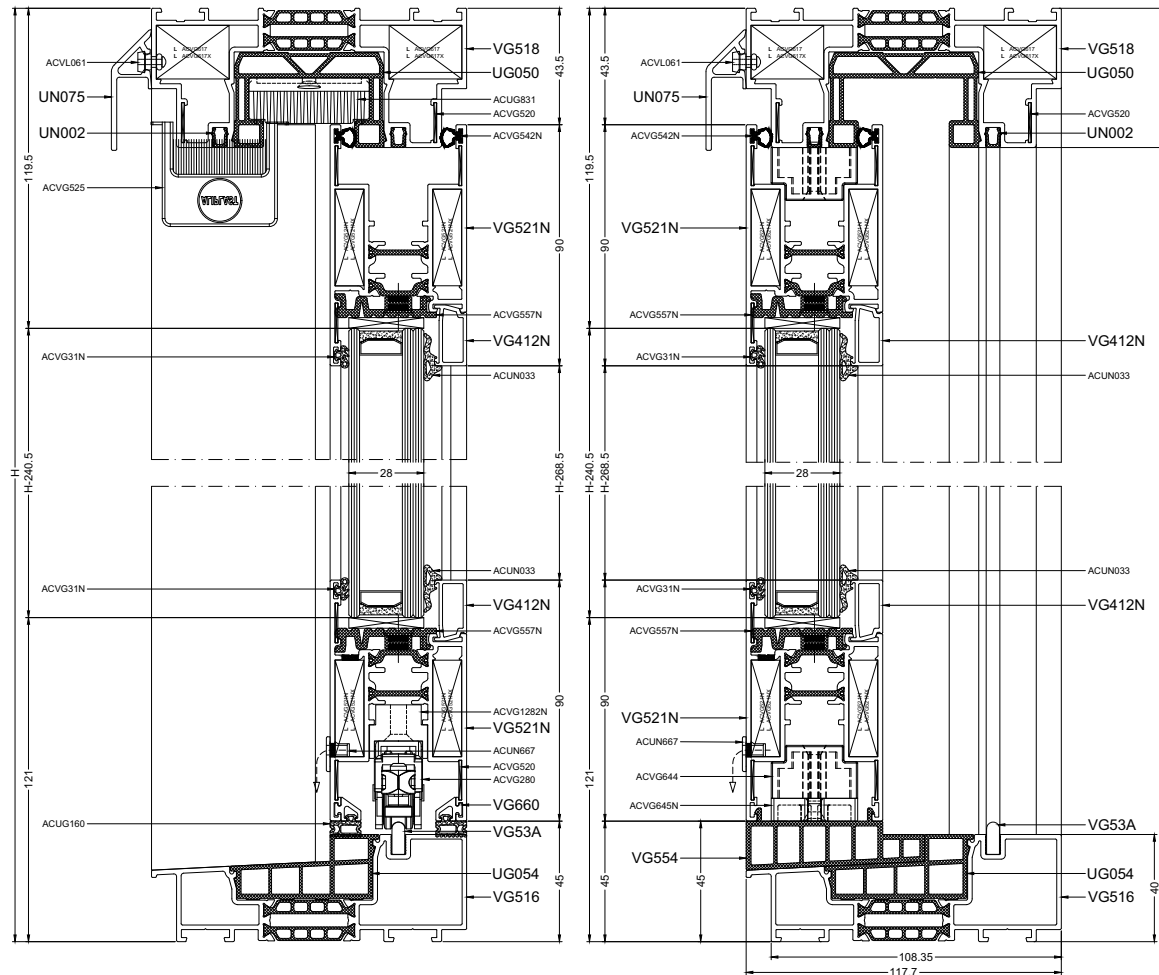
| | | |
|----|---------|---------|
| 2X | B/2-128 | H-240.5 |
|----|---------|---------|

| | | |
|------------------------|---------|---|
| 702 mm < FB < 1278 mm | ACVG269 | 1 |
| 1206 mm < FB < 1782 mm | ACVG270 | |
| 1710 mm < FB < 2286 mm | ACVG271 | |
| 2214 mm < FB < 2790 mm | ACVG272 | |
| 2718 mm < FB < 3294 mm | ACVG273 | |

| | | |
|------------------------|---------|---|
| 1718 mm < FH < 2218 mm | ACVG277 | 1 |
| 2118 mm < FH < 2618 mm | ACVG278 | |
| 2418 mm < FH < ... | ACVG279 | |

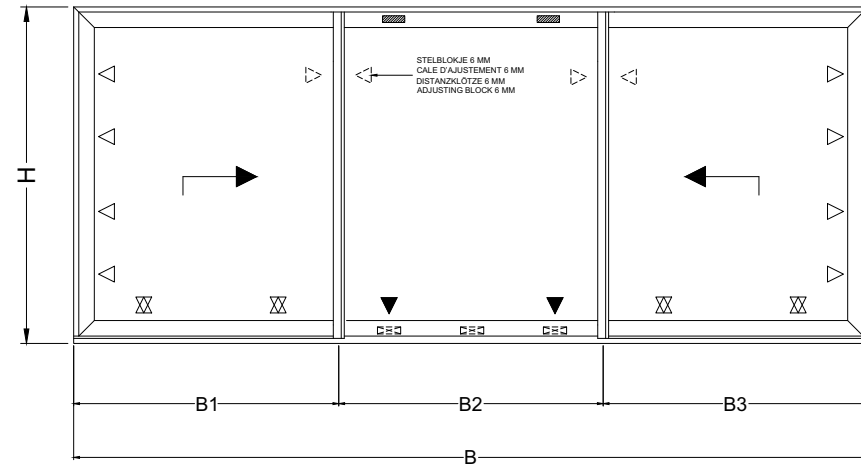
OVERZICHT HANDGREPEN, ZIE SZ CATALOGUS
APERÇU POIGNÉES, VOIR LE CATALOGUE SZ
OVERVIEW HANDLES, SEE SZ CATALOG
UEBERSICHT HANDGRIF, SIEHE SZ KATALOG

| | |
|--------------------|-------|
| ACUG160 | B |
| ACVG542N | 4H+4B |
| ACVG642 | 4H+2B |
| ACVG31N | 4H+2B |
| ACUN033 (3 - 5 mm) | 4H+2B |
| ACUN036 (6 - 8 mm) | 4H+2B |
| ACVG22 | 2H |



VG516(VG518)-1RAIL-1F-20(LS)-SLIM

VG516-1RAIL-2O(LS)-1F-2O(LS) MAXLIGHT



- ▽ = ACVG280N
- ⊗ = ACVG280N+ACVG1282N
- ▼ = ACVG557N
- = ACVG547
- = ACVG644+ACVG645N

| | | |
|----|--|-------------------------|
| FB | VLEUGELBREEDTE LARGEUR VANTAIL BREITE FLUGEL WIDTH SASH | B1-31 B2+25 B3-31 |
| FH | VLEUGELHOOGTE HAUTEUR D'OUVRANT FLUGEL HOHE VENT HEIGHT | H-88.5 |

MAXIMAAL VLEUGELGEWICHT
POIDS MAXIMUM POUR VANTAIL
MAXIMAL FLUGELGEWICHT
MAX. WEIGHT OF THE VENT

200 kg

OVERZICHT HANDGREPEN, ZIE SZ CATALOGUS
APERCU POIGNEES, VOIR LE CATALOGUE SZ
OVERVIEW HANDLES, SEE SZ CATALOG
UEBERSICHT HANDGRIFF, SIEHE SZ KATALOG

GLASMATEN / DIMENSIONS DES
VITRAGES / GLASSMASSE / GLASS SIZE

| | | | | | |
|--|-----------------|--|------------------|--|-------------------|
| | B1-127 240.5 | | B2-17 H-240.5 | | B3-127 H-240.5 |
|--|-----------------|--|------------------|--|-------------------|

PROFIELEN / PROFILES / PROFILS / PROFILS

| | | | | |
|---------|--|---|--|--------|
| VG518 | | 1 | | B |
| | | 1 | | H-40 |
| VG516 | | 1 | | B |
| | | 1 | | H-56.5 |
| UG050 | | 1 | | H-56.5 |
| | | 1 | | B-33 |
| VG521N | | 1 | | B1-46 |
| | | 2 | | B1-46 |
| | | 1 | | B2-5 |
| | | 1 | | B3-46 |
| | | 1 | | B3-46 |
| | | 2 | | H-88.5 |
| VG522 | | 4 | | H-88.5 |
| VG531 | | 4 | | H-88.5 |
| UG054 | | 1 | | B |
| VG554 | | 1 | | B2-49 |
| UG551 | | 4 | | H-84.5 |
| VG660 | | 1 | | B1-76 |
| | | 1 | | B1-56 |
| | | 1 | | B3-76 |
| | | 1 | | B3-56 |
| VG4XX | | 2 | | B1-116 |
| | | 2 | | B2-5 |
| | | 2 | | B3-116 |
| VG53(A) | | 1 | | B-94 |
| | | 1 | | B-104 |
| | | 2 | | H |

UN002 (3-5 mm) 2 B-104

VG52 2 H

OPTIONEEL / EN OPTION / FAKULTATIV / OPTIONAL

| | | | | |
|---------|---|---------|--|-----|
| UN075 | f | 1 | | B-9 |
| ACUN075 | | 1 | | |
| ACVL061 | | B/300+2 | | |

TOEBEHOREN / ACCESSOIRES ZUBEHÖRTEILE / ACCESSORIES

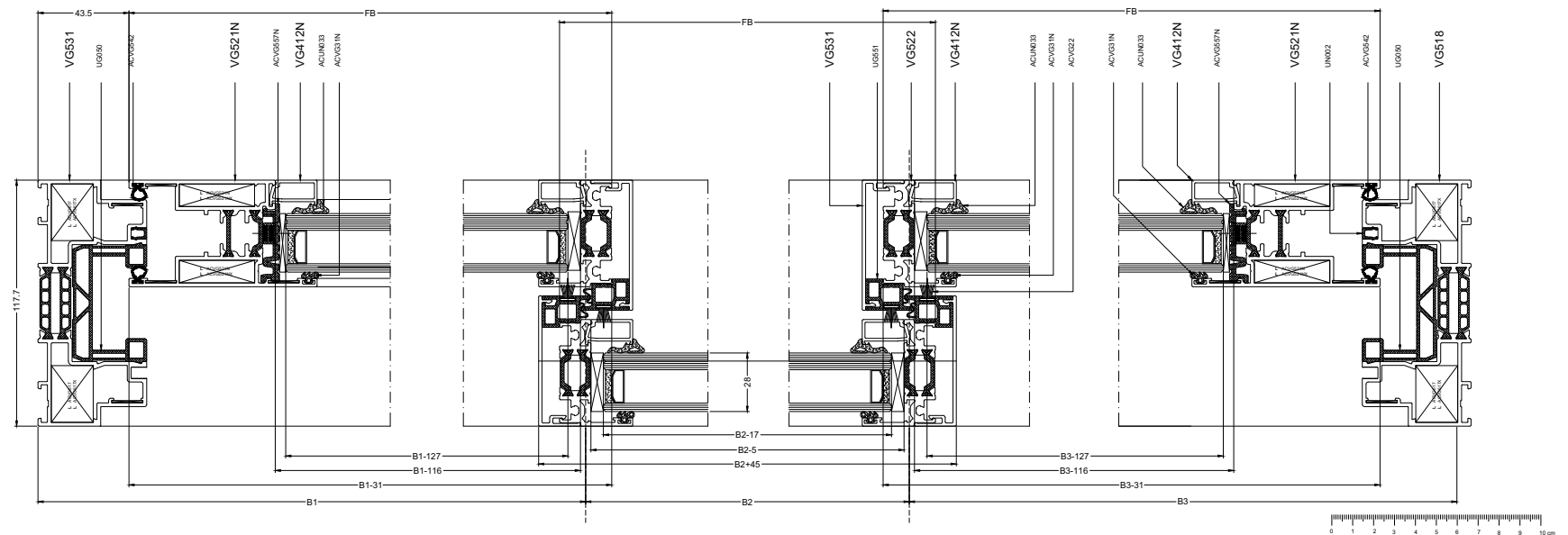
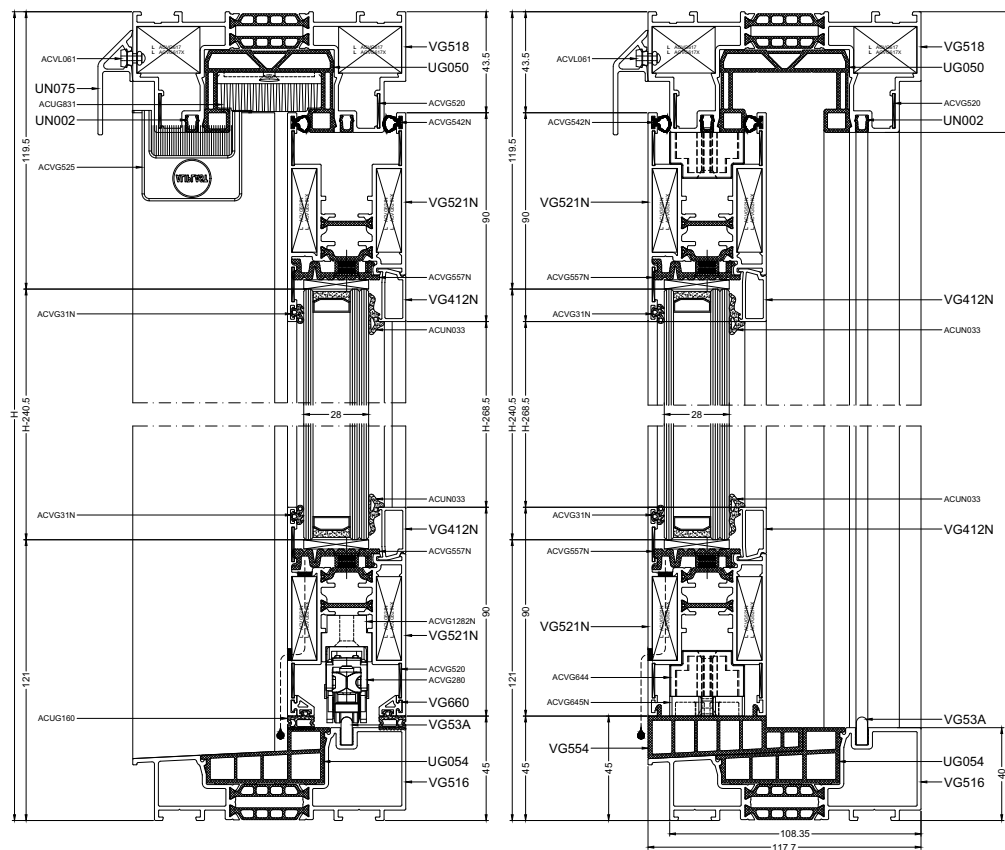
| | | | | |
|-----------|----|--|--------------------|----|
| ACVG617 | 4 | | ACMX853 ACUN161 | 8 |
| ACVG617X | 4 | | | |
| ACVG521N | 8 | | ACMX854 ACUN160 | 16 |
| ACVG521NX | 8 | | | |
| ACVG520 | 16 | | | |
| ACVG519 | 1 | | | |
| ACVG557N | 2 | | | |
| ACVG522 | 16 | | | |
| ACVG525 | 4 | | | |
| ACVG644 | 3 | | | |
| ACVG645N | 2 | | | |
| ACVG547 | 2 | | | |
| ACVG45 | | | MAX 800 mm | |
| ACGSL045 | | | | |
| ACUN045 | | | | |
| ACUG831 | 2 | | | |
| ACVG280N | 2 | | | |
| ACVG1282N | 4 | | | |
| ACVG528 | 12 | | | |
| ACVG515N | 4 | | | |
| ACVG516N | 1 | | | |
| ACVG526 | 1 | | | |
| ACUG123L | 1 | | | |
| ACUG123R | 1 | | | |

| | |
|------------------|------------|
| ACVG542N | 4H+2B1+2B3 |
| ACVG642 | 4H+2B1+2B3 |
| ACVG31N | 6H+2B |
| ACUN033 (3-5 mm) | 6H+2B |
| ACUN036 (6-8 mm) | 6H+2B |
| ACUG160 | 2B1+2B3 |
| ACVG22 | 4H |

| | |
|---------------|--------|
| ACVG269...273 | FB-586 |
| ACVG277...279 | FH-118 |

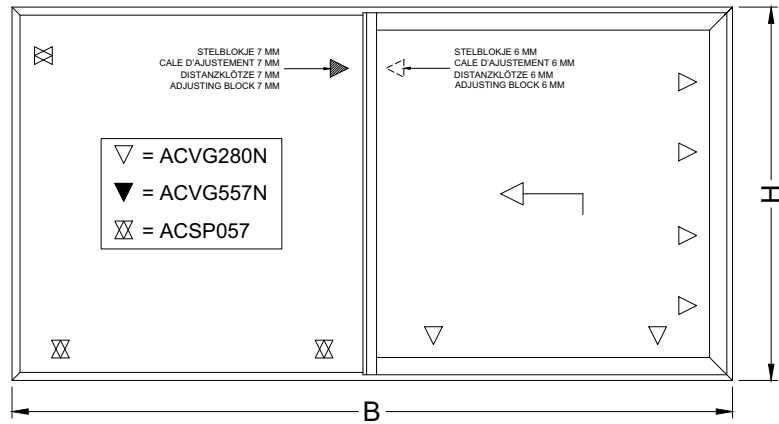
| | | |
|------------------------|---------|---|
| 702 mm < FB < 1278 mm | ACVG269 | 2 |
| 1277 mm < FB < 1782 mm | ACVG270 | |
| 1781 mm < FB < 2286 mm | ACVG271 | |
| 2285 mm < FB < 2790 mm | ACVG272 | |
| 2789 mm < FB < 3294 mm | ACVG273 | |

| | | |
|------------------------|---------|---|
| 1718 mm < FH < 2218 mm | ACVG277 | 2 |
| 2217 mm < FH < 2618 mm | ACVG278 | |
| 2617 mm < FH < ... | ACVG279 | |



VG516(VG518) - 1RAIL - 2O(LS) - 1F - 2 - 2O(LS) - SLIM

VG618-1RAIL-2F-10(LS)MAXLIGHT



| | | |
|----|--|--------|
| FB | VLEUGELBREEDTE LARGEUR VANTAIL BREITE FLUGEL WIDTH SASH | B/2-31 |
| FH | VLEUGELHOOGTE HAUTEUR D'OUVRANT FLUGEL HOHE VENT HEIGHT | H-87 |

| | |
|---|------------|
| ▽ | = ACVG280N |
| ▾ | = ACVG557N |
| ⊠ | = ACSP057 |
| ● | = ACUN550 |

PROFIELN / PROFILES / PROFILS / PROFILS

| | | | | |
|--------|--|---|--|-------|
| VG618 | | 2 | | B |
| | | 2 | | H |
| VG521N | | 1 | | B2-46 |
| | | 1 | | B2-46 |
| | | 1 | | H-87 |
| VG622 | | 1 | | H-56 |
| VG522 | | 1 | | H-87 |
| VG531 | | 1 | | H-87 |
| VG633 | | 1 | | H-56 |
| UG551 | | 2 | | H-87 |

OF / OU / ODER / OR

| | | | | |
|-------|--|---|--|---------|
| VG615 | | 1 | | H-112.6 |
| VG616 | | 2 | | B2-50.5 |

| | | | | |
|-------|--|---|--|---------|
| VG4XX | | 2 | | B2-116 |
| | | 2 | | H-267 |
| GL7XX | | 2 | | B1-25.5 |
| | | 2 | | H-106 |

| | | | | |
|---------|--|---|--|------|
| VG53(A) | | 1 | | B-94 |
|---------|--|---|--|------|

| | | | | |
|---------------------|--|---|--|-------|
| VG52 | | 1 | | B-104 |
| OF / OU / ODER / OR | | 2 | | H-104 |

TOEBEHOREN / ACCESSOIRES ZUBEHÖRTEILE / ACCESSORIES

| | | | |
|---------------|--------------------|---------|----|
| ACVG618 | 4 | ACMX853 | 8 |
| ACVG618X | 4 | ACUN161 | 8 |
| ACEF010B | 4 | ACMX853 | 8 |
| ACVG611BX | 4 | ACUN161 | 8 |
| ACVG521N | 4 | ACMX854 | 16 |
| ACVG521NX | 4 | ACUN160 | 16 |
| ACVG520 | 10 | | |
| ACVL020(B) | 4 | | |
| ACVG522 | 4 | | |
| ACSP057 | 6 | | |
| ACVG525 | 2 | | |
| ACVG280N | 1 | | |
| ACFT171 | (H+B-200)/300 | | |
| ACVG45 | MAX 800 mm | | |
| ACVG534 | MAX 800 mm (1x FB) | | |
| ACVG528 | 6 | | |
| ACUG531 | 1 | | |
| ACUG632 | 1 | | |
| ACVG269...273 | FB-586 | | |

| | |
|---------------|--------|
| ACVG277...279 | FH-118 |
|---------------|--------|

| | |
|--------------------|-------|
| ACVG542N | 3H+3B |
| ACVG642 | 3H+3B |
| ACUG633 | H+B |
| ACVG22 | 2H |
| ACVG31N | 4H+2B |
| ACUN033 (3 - 5 mm) | 4H+2B |
| ACUN036 (6 - 8 mm) | 4H+2B |

| | | |
|----|--|-------|
| FB | VLEUGELBREEDTE LARGEUR VANTAIL BREITE FLUGEL WIDTH SASH | B2-31 |
| FH | VLEUGELHOOGTE HAUTEUR D'OUVRANT FLUGEL HOHE VENT HEIGHT | H-87 |

GLASMATEN / DIMENSIONS DES VITRAGES / GLASMASSE / GLASS SIZE

| | | | |
|--|---------|--|--------|
| | B1-39.5 | | B2-128 |
| | H-70 | | H-239 |

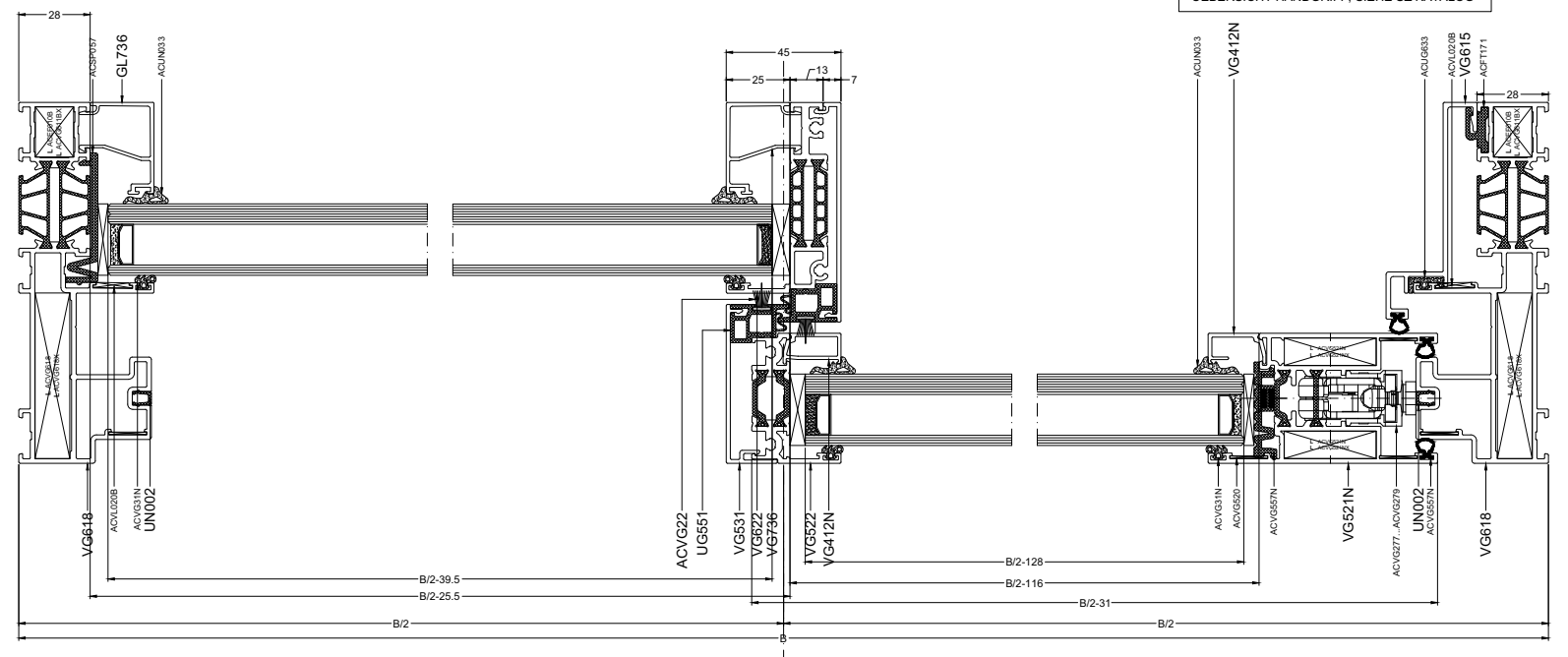
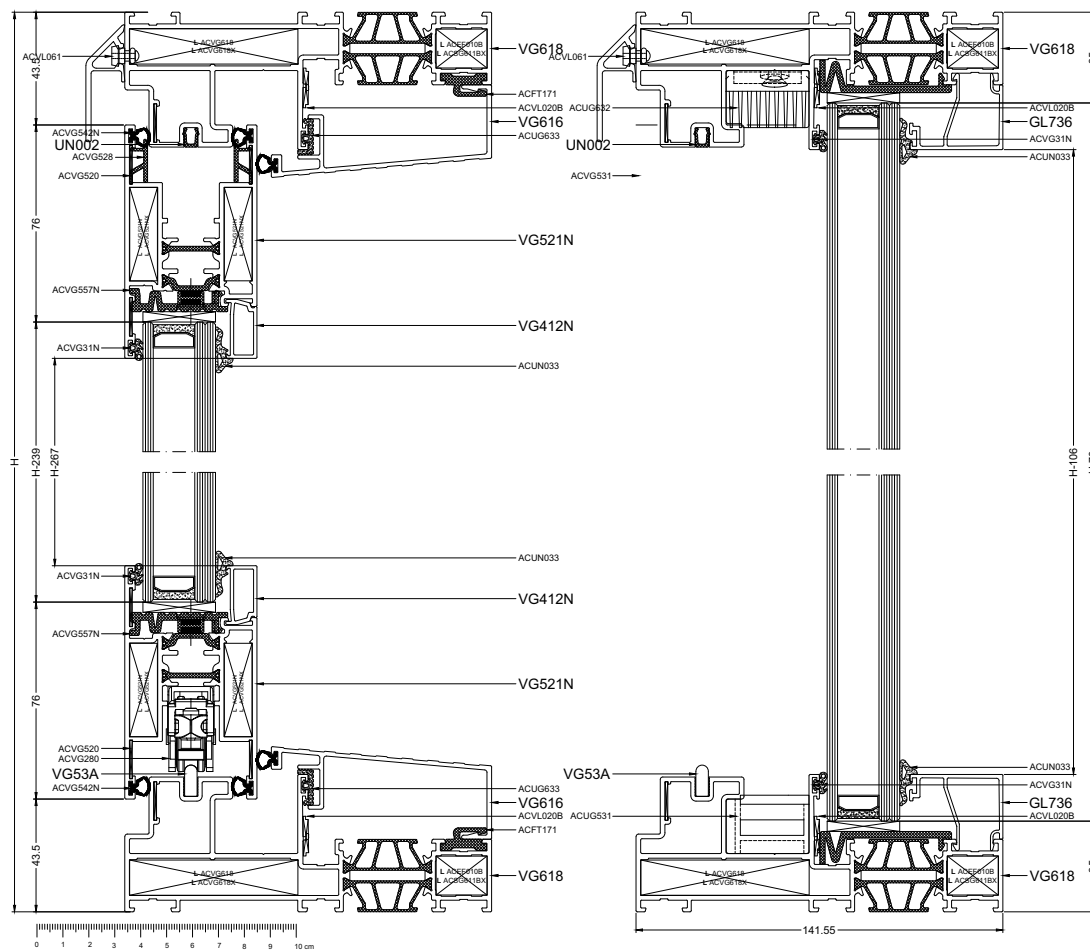
| | | |
|------------------------|---------|---|
| 702 mm < FB < 1278 mm | ACVG269 | 1 |
| 1206 mm < FB < 1782 mm | ACVG270 | |
| 1710 mm < FB < 2286 mm | ACVG271 | |
| 2214 mm < FB < 2790 mm | ACVG272 | |
| 2718 mm < FB < 3294 mm | ACVG273 | |

| | | |
|------------------------|---------|---|
| 1718 mm < FH < 2218 mm | ACVG277 | 1 |
| 2118 mm < FH < 2618 mm | ACVG278 | |
| 2418 mm < FH < ... | ACVG279 | |

MAXIMAAL VLEUGELGEWICHT
POIDS MAXIMUM PAR VANTAIL
MAXIMAL FLUGELGEWICHT
MAX. WEIGHT OF THE VENT

200 KG

OVERZICHT HANDGREPEN, ZIE SZ KATALOGUS
APERCU POIGNEES, VOIR LE CATALOGUE SZ
OVERVIEW HANDLES, SEE SZ CATALOG
UEBERSICHT HANDGRIF, SIEHE SZ KATALOG

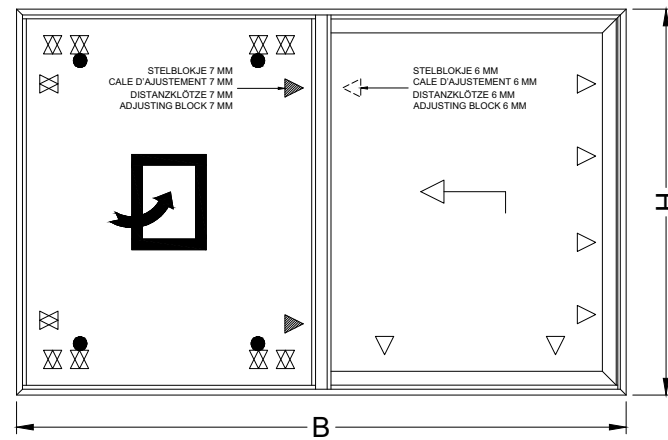


VG618-1RAIL-2F-10(LS) - SLIM

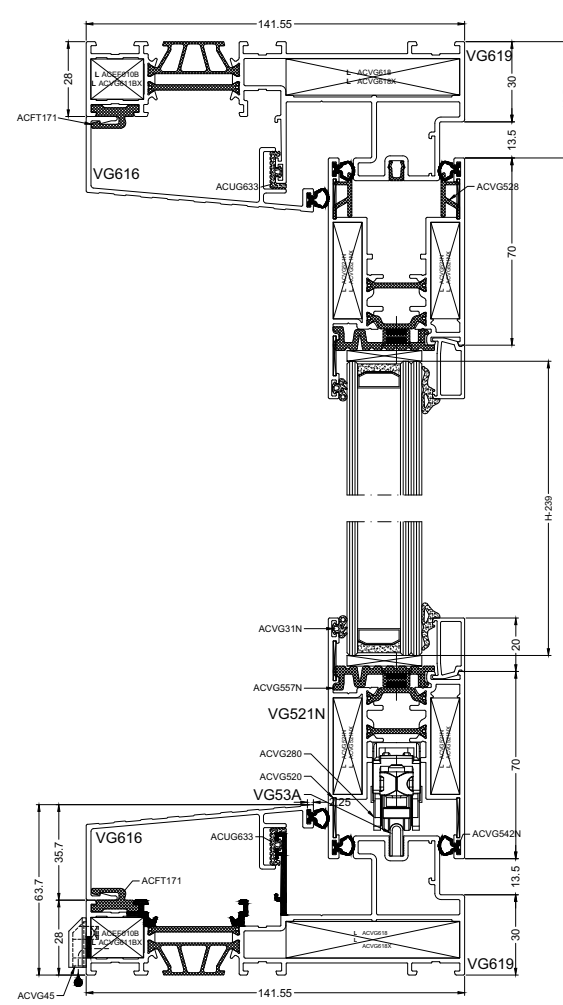
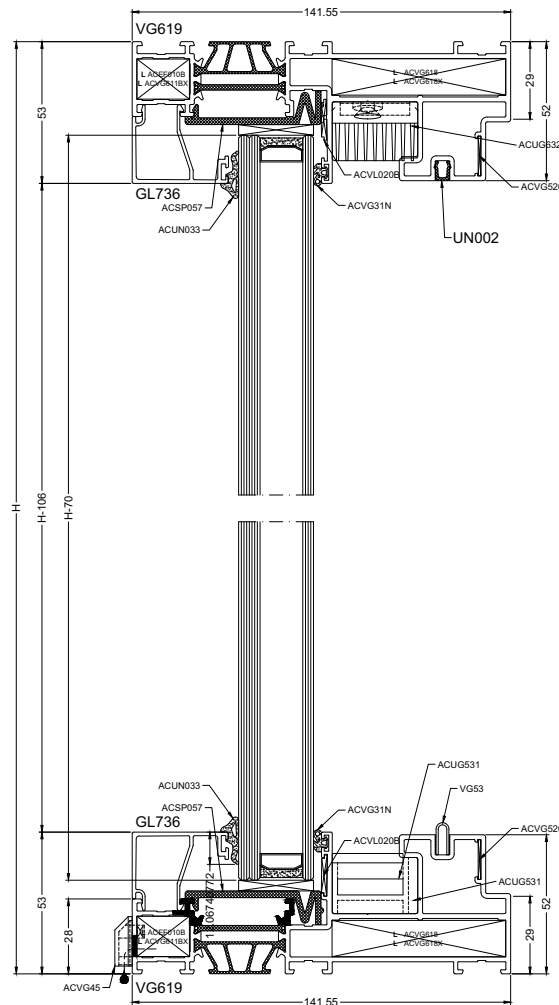
aliplast
member of



VG619-1RAIL-1F-20- MAXLIGHT



▽ = ACVG280N
 ⊗ = ACSP057
 ● = ACUN550



PROFIELEN / PROFILES / PROFILES / PROFILS

| | | | | |
|--------|--|---|--|-------|
| VG619 | | 2 | | B |
| | | 2 | | H |
| VG521N | | 1 | | B2-46 |
| | | 1 | | H-87 |
| VG622 | | 1 | | H-56 |
| VG522 | | 1 | | H-87 |
| VG531 | | 1 | | H-87 |
| VG633 | | 1 | | H-56 |
| UG551 | | 1 | | H-87 |
| UG551 | | 1 | | H-56 |

OF / OU / ODER / OR

| | | | | |
|-------|--|---|--|----------|
| VG615 | | 1 | | H-112.6 |
| VG616 | | 2 | | B/2-50.5 |

| | | | | |
|--------|--|---|--|----------|
| VG615 | | 1 | | H-106 |
| VG2616 | | 2 | | B/2-50.5 |

| | | | | |
|-------|--|---|--|---------|
| VG4XX | | 2 | | B2-116 |
| | | 2 | | H-267 |
| GL7XX | | 2 | | B1-25.5 |
| | | 2 | | H-106 |

| | | | | |
|---------|--|---|--|------|
| VG53(A) | | 1 | | B-94 |
|---------|--|---|--|------|

| | | | | |
|--------------------------------------|--|---|--|-------|
| VG52 OF / OU / ODER / OR UN002 | | 1 | | B-104 |
| | | 2 | | H-104 |

TOEBEHOREN / ACCESSOIRES ZUBEHÖRTEILE / ACCESSORIES

| | | | |
|-----------------------|-----------------------|--------------------|----|
| ACVG618 ACVG618X | 4 | ACMX853 ACUN161 | 8 |
| ACEF010B | 4 | ACMX853 ACUN161 | 8 |
| ACVG611BX | 4 | ACMX854 ACUN160 | 16 |
| ACVG521N ACVG521NX | 4 | | |
| ACVG520 | 10 | | |
| ACVL020(B) | 4 | | |
| ACVG522 | 4 | | |
| ACSP057 | 6 | | |
| ACVG525 | 2 | | |
| ACVG280N | 1 | | |
| ACUN550 | 4 | | |
| ACFT171 | (H+B-200)/300 | | |
| ACVG45 | MAX 800 mm | | |
| ACVG534 | MAX 900 mm (1x FB) | | |
| ACVG528 | 6 | | |
| ACUG531 | 1 | | |
| ACUG632 | 1 | | |
| ACVG269...273 | FB-586 | | |

| | |
|---------------|--------|
| ACVG277...279 | FH-118 |
|---------------|--------|

| | |
|---|-------|
| ACVG542N OF / OU / ODER / OR ACVG642 | 3H+3B |
| ACUG633 | H+B |
| ACVG22 | 2H |
| ACVG31N | 4H+2B |
| ACUN033 (3 - 5 mm) OF / OU / ODER / OR ACUN036 (6 - 8 mm) | 4H+2B |

| | | |
|----|--|-------|
| FB | VLEUGELBREEDTE LARGEUR VANTAIL BREITE FLÜGEL WIDTH SASH | B2-31 |
| FH | VLEUGELHOOGTE HAUTEUR D'OUVRANT FLÜGEL HOHE VENT HEIGHT | H-87 |

GLASMATEN / DIMENSIONS DES VITRAGES / GLASMASSE / GLASS SIZE

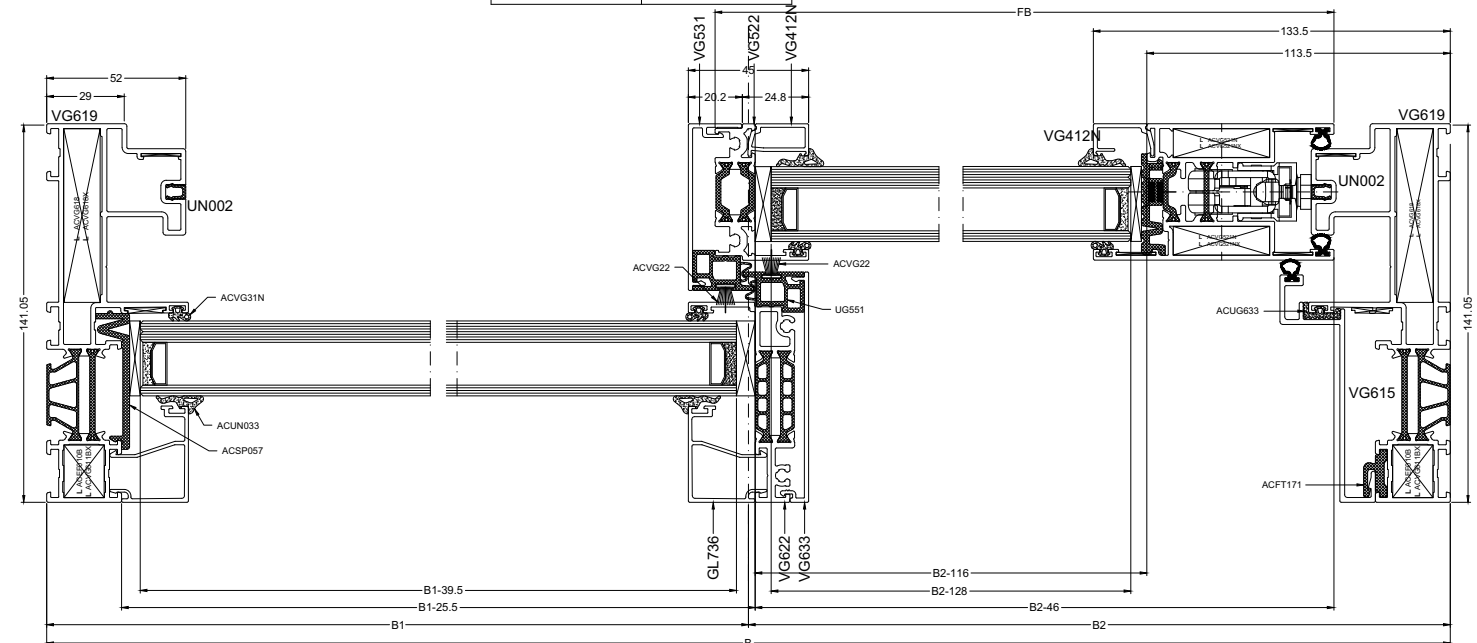
| | | | |
|--|-----------------|--|-----------------|
| | B1-39.5 H-70 | | B2-128 H-239 |
|--|-----------------|--|-----------------|

OVERZICHT HANDGREPEN, ZIE SZ CATALOGUS
 APERCU POIGNÉES, VOIR LE CATALOGUE SZ
 OVERVIEW HANDLES, SEE SZ CATALOG
 UEBERSICHT HANDGRIFF, SIEHE SZ KATALOG

| | | |
|------------------------|---------|---|
| 702 mm < FB < 1278 mm | ACVG269 | 1 |
| 1206 mm < FB < 1782 mm | ACVG270 | |
| 1710 mm < FB < 2286 mm | ACVG271 | |
| 2214 mm < FB < 2790 mm | ACVG272 | |
| 2718 mm < FB < 3294 mm | ACVG273 | |

| | | |
|------------------------|---------|---|
| 1718 mm < FH < 2218 mm | ACVG277 | 1 |
| 2118 mm < FH < 2618 mm | ACVG278 | |
| 2418 mm < FH < ... | ACVG279 | |

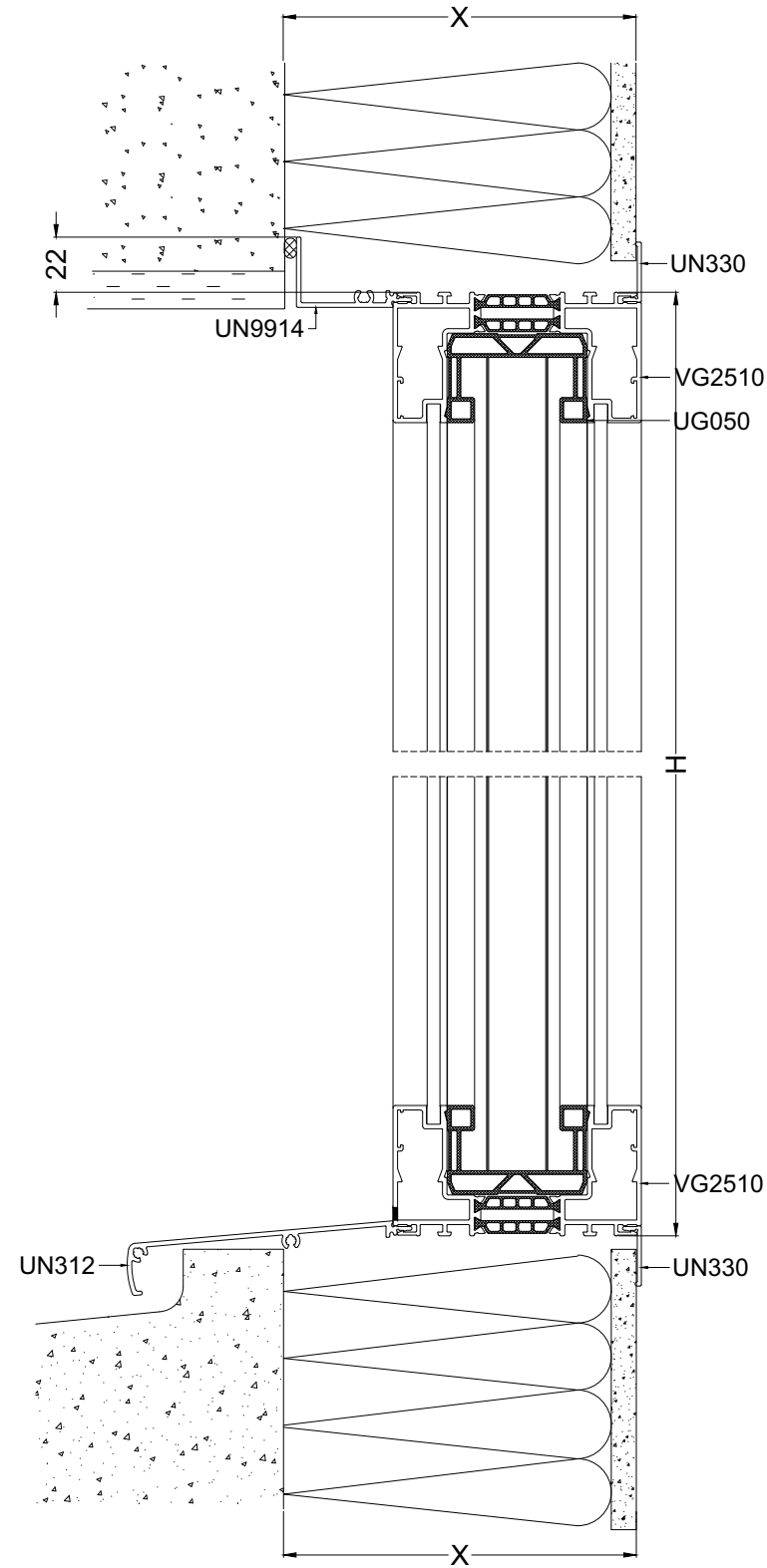
MAXIMAAL VLEUGELGEWICHT
 POIDS MAXIMUM PAR VANTAIL
 MAXIMAL FLÜGELGEWICHT
 MAX. WEIGHT OF THE VENT **200 KG**



VG619-1RAIL-1F-20(LS) - SLIM

aliplast
member of

CORIALIS



PROFIELEN / PROFILES / PROFILS

| | | | | |
|--------|--|---|--|------|
| VG2510 | | 2 | | B |
| VG2510 | | 2 | | H |
| UG050 | | 2 | | B-33 |
| UG050 | | 2 | | H-33 |
| UN330 | | 2 | | B+40 |
| UN330 | | 2 | | H+40 |

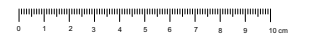
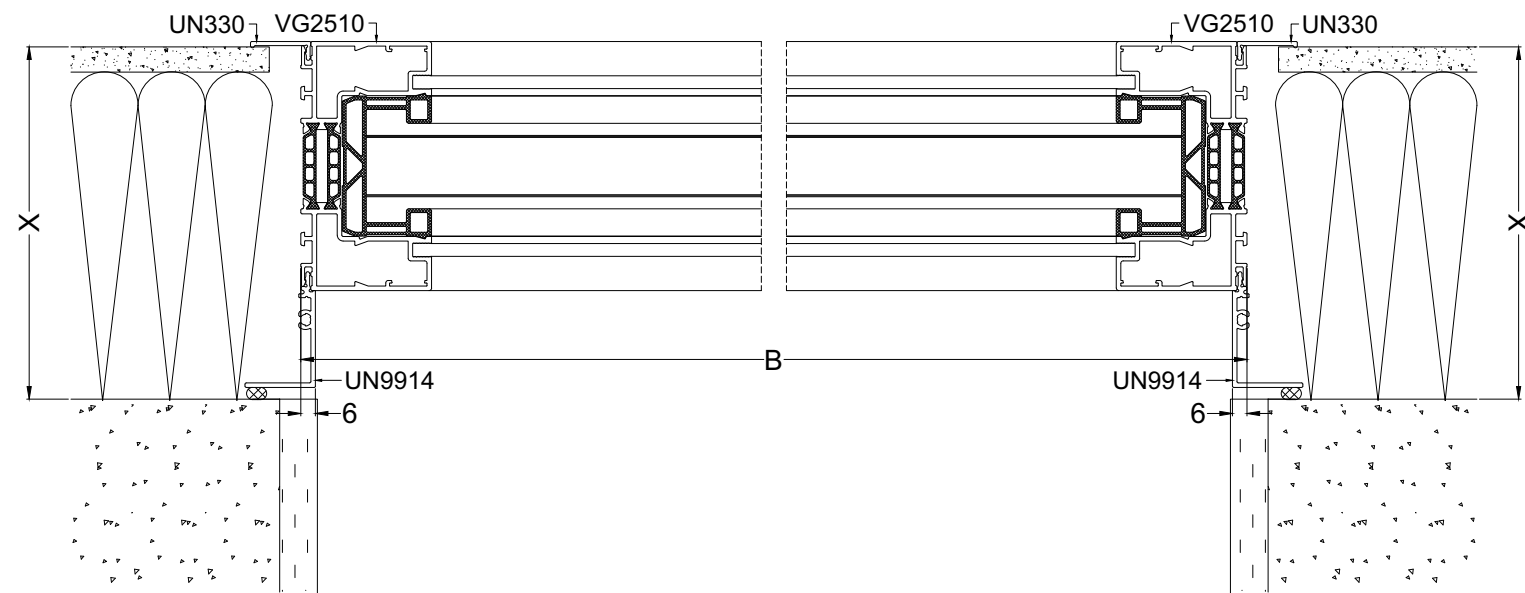
| | | | | | |
|-------|--------|--|---|--|------|
| X=140 | UN312 | | 1 | | B-12 |
| | UN9914 | | 2 | | H+22 |
| | UN9914 | | 1 | | B-12 |

OF / OU / ODER / OR

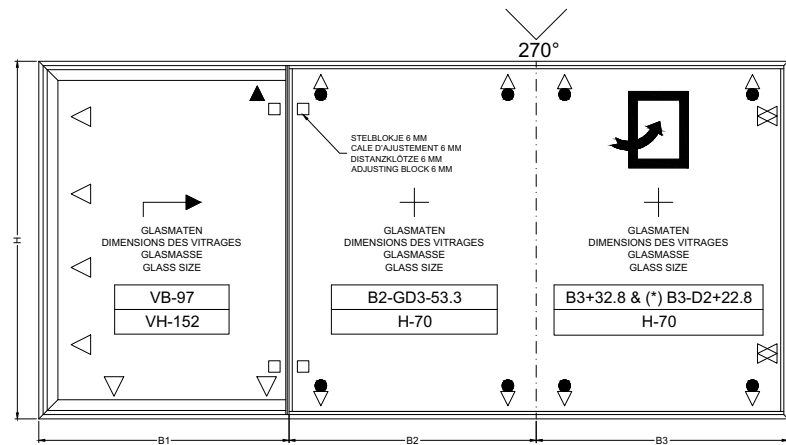
| | | | | | |
|-------|--------|--|---|--|------|
| X=160 | UN313 | | 1 | | B-12 |
| | UN9916 | | 2 | | H+22 |
| | UN9916 | | 1 | | B-12 |

OF / OU / ODER / OR

| | | | | | |
|-------|--------|--|---|--|------|
| X=180 | UN314 | | 1 | | B-12 |
| | UN9918 | | 2 | | H+22 |
| | UN9918 | | 1 | | B-12 |



VG619-1RAIL-2F-10(LS)90-2F - MAXLIGHT



| | | |
|----|--|-------|
| VB | VLEUGELBREEDE LARGEUR VANTAIL BREITE FLUGEL WIDTH SASH | B1-31 |
| VH | VLEUGELHOOGTE HAUTEUR D'OUVRANT FLUGEL HOHE VENT HEIGHT | H-87 |

| | |
|---|-------------------|
| ▼ | = ACVG557N |
| ▽ | = ACVG280N |
| ● | = ACSP057+ACUN550 |
| ⊗ | = ACSP057 |

| PROFIELEN / PROFILES / PROFILS / PROFILS | | |
|--|---|------------|
| VG619 | 1 | B1+B2 |
| | 1 | B1+B2 |
| | 1 | B3 |
| | 2 | B3 |
| VG521N | 1 | VB-15 |
| | 1 | VB-15 |
| VG622 | 1 | H-56 |
| VG522 | 1 | VH |
| VG531 | 1 | VH |
| VG633 | 1 | H-56 |
| UG551 | 1 | H-56 |
| OF / OU / ODER / OR | | |
| VG615 | 1 | H-112.6 |
| VG616 | 2 | B1-50.5 |
| OR | | |
| VG615 | 1 | H-106 |
| VG2616 | 2 | B1-50.5 |
| OR | | |
| VG4XX | 2 | VB-85 |
| | 2 | VH-180 |
| | 1 | B2+GB3+2.5 |
| | 1 | B2+GB3+2.5 |
| | 1 | B3+GB2-28 |
| | 2 | B3+GB2-28 |
| | 2 | H-106 |
| VG53(A) | 1 | B1+B2-60.7 |
| | 1 | B3-60.7 |
| OR | | |
| UN002 | 1 | B1+B2-65.7 |
| | 1 | B3-70.8 |
| | 2 | H-104 |

TOEBEHOREN / ACCESSOIRES ZUBEHÖRTEILE / ACCESSORIES

| | | | |
|---------------|----------------------|---------|----|
| ACEF010B | 4 | ACMX853 | 8 |
| ACVG611BX | 4 | ACUN181 | 8 |
| ACVG618 | 4 | ACMX853 | 8 |
| ACVG618X | 4 | ACUN181 | 8 |
| ACVG521N | 4 | ACMX854 | 16 |
| ACVG521NX | 4 | ACUN189 | 16 |
| ACVG2690 | 2 | | |
| ACVG3690 | 2 | | |
| ACMX852 | 16 | | |
| ACVG852 | 4 | | |
| ACVG525 | 2 | | |
| ACVG520 | 10 | | |
| ACVL020(B) | 4 | | |
| ACVL029 | 4 | | |
| ACSP057 | 10 | | |
| ACVG557N | 1 | | |
| ACUN550 | 8 | | |
| ACFT171 | (H+B1+B2+B3-200)/300 | | |
| ACUG631 | 1 | | |
| ACUG632 | 1 | | |
| ACVG45 | 1 | | |
| ACVG534 | 6 | | |
| ACVG528 | 6 | | |
| ACUN348 | 1 | | |
| ACVG620 | 2 | | |
| ACVG269...273 | FB-586 | | |

| | |
|--------------------|----------------|
| ACVG542N | 3VH+3VB |
| ACVG642 | 3VH+3VB |
| ACUG633 | VH+VB |
| ACVG22 | 2VH |
| ACVG31N | 2(B1+B2+B3)+4H |
| ACUN033 (3 - 5 mm) | 2(B1+B2+B3)+4H |
| ACUN036 (6 - 8 mm) | 2(B1+B2+B3)+4H |

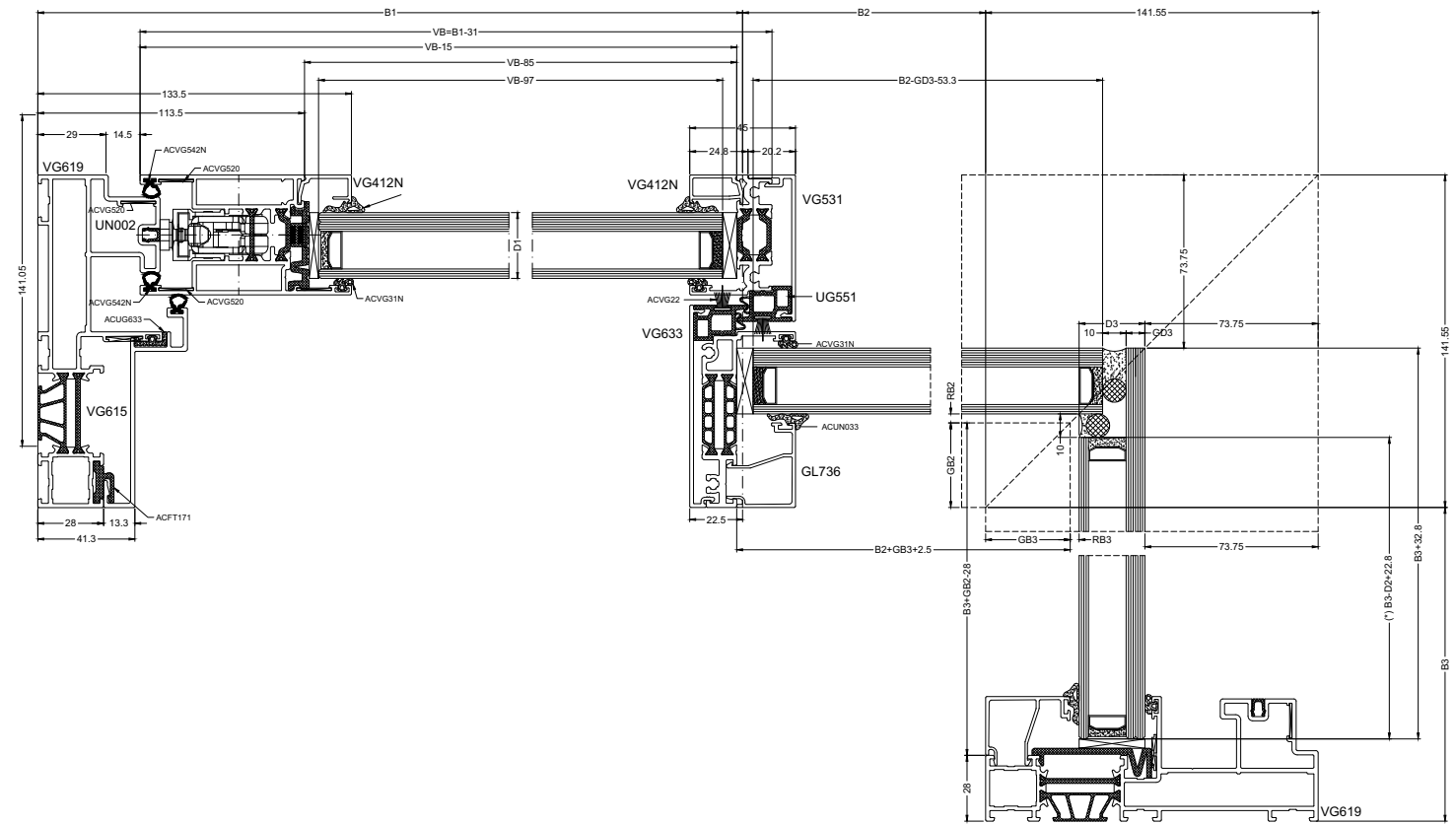
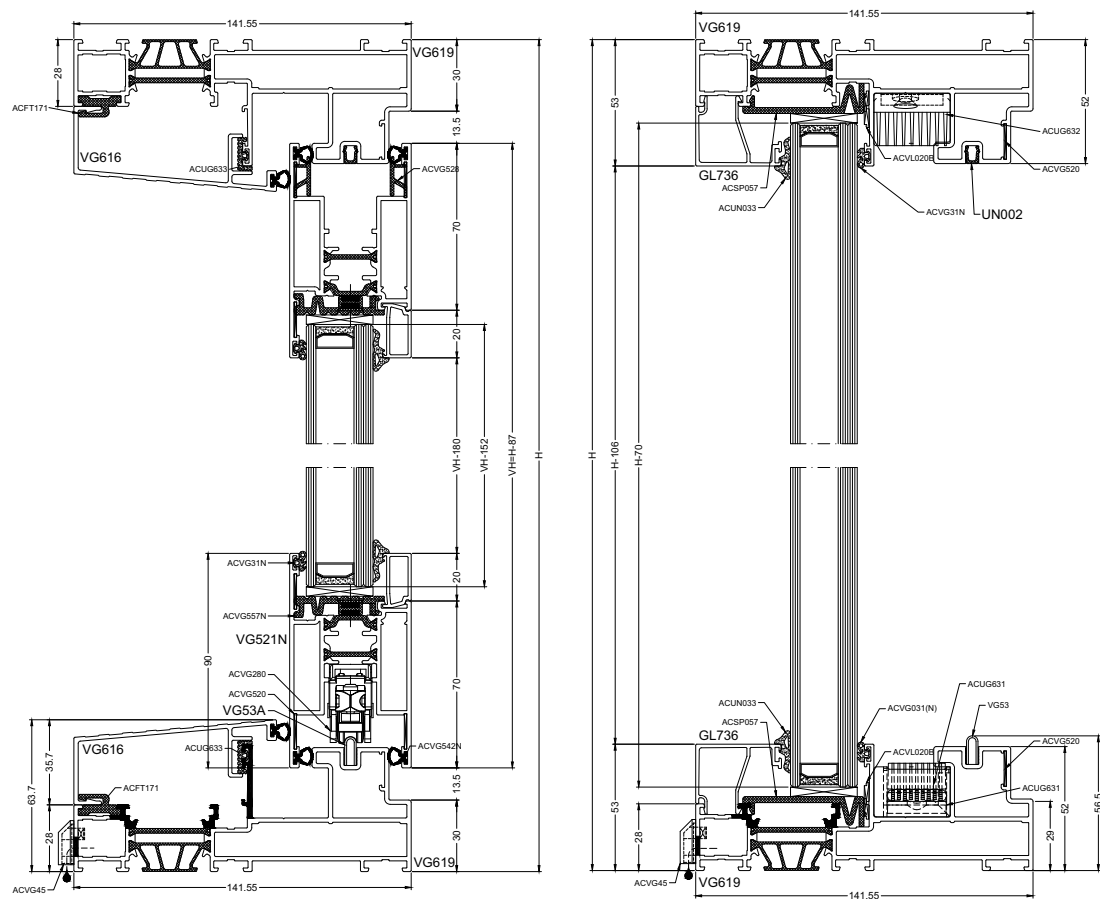
MAXIMAAL VLEUGELGEWICHT
POIDS MAXIMUM PAR VANTAIL
MAXIMAL FLUGELGEWICHT
MAX. WEIGHT OF THE VENT

200 KG

| | | |
|------------------------|---------|---|
| 702 mm < FB < 1278 mm | ACVG269 | 1 |
| 1206 mm < FB < 1782 mm | ACVG270 | |
| 1710 mm < FB < 2286 mm | ACVG271 | |
| 2214 mm < FB < 2790 mm | ACVG272 | |
| 2718 mm < FB < 3294 mm | ACVG273 | |

| | | |
|------------------------|---------|---|
| 1718 mm < FH < 2218 mm | ACVG277 | 1 |
| 2118 mm < FH < 2618 mm | ACVG278 | |
| 2418 mm < FH < ... | ACVG279 | |

OVERZICHT HANDGREPEN, ZIE SZ CATALOGUS
APERCU POIGNEES, VOIR LE CATALOGUE SZ
OVERVIEW HANDLES, SEE SZ CATALOG
UEBERSICHT HANDGRIFF, SIEHE SZ KATALOG



VG619-2RAIL-1F-20(LS)-270-1F - SLIM

VG500

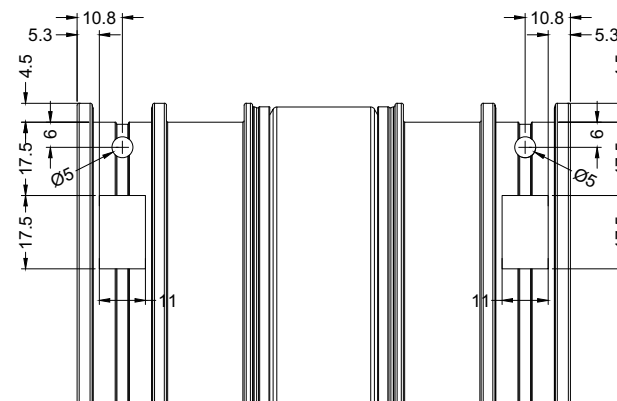
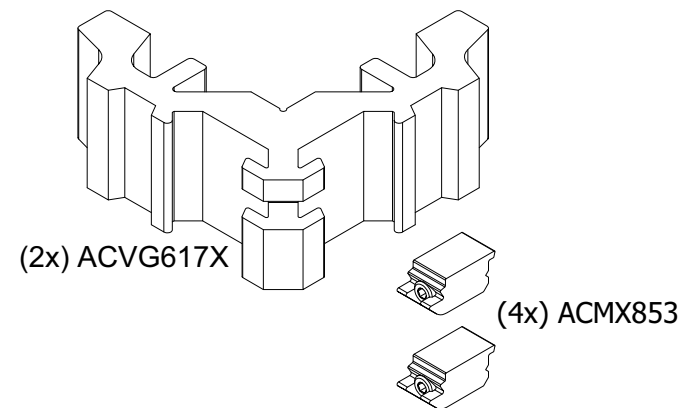
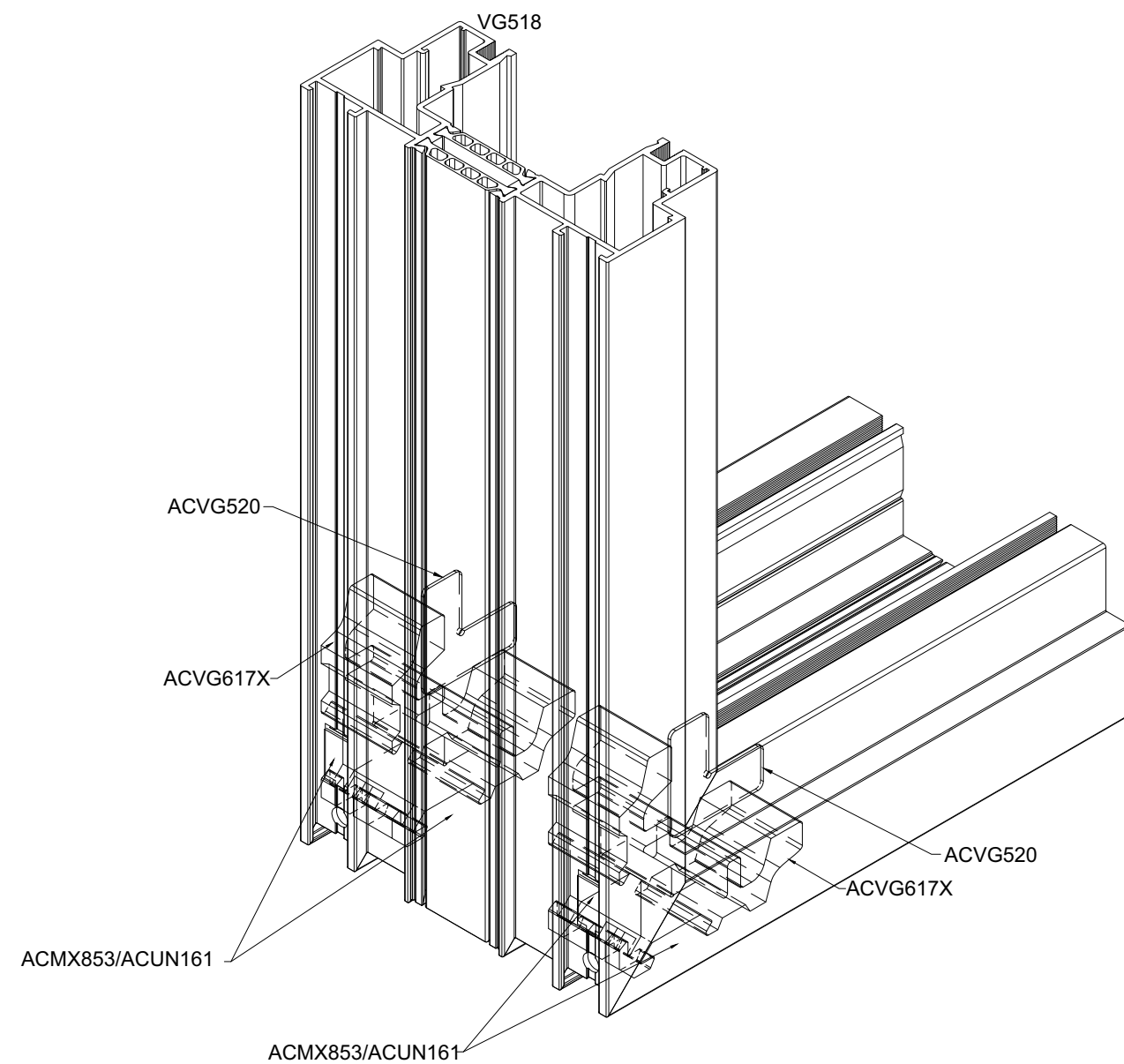
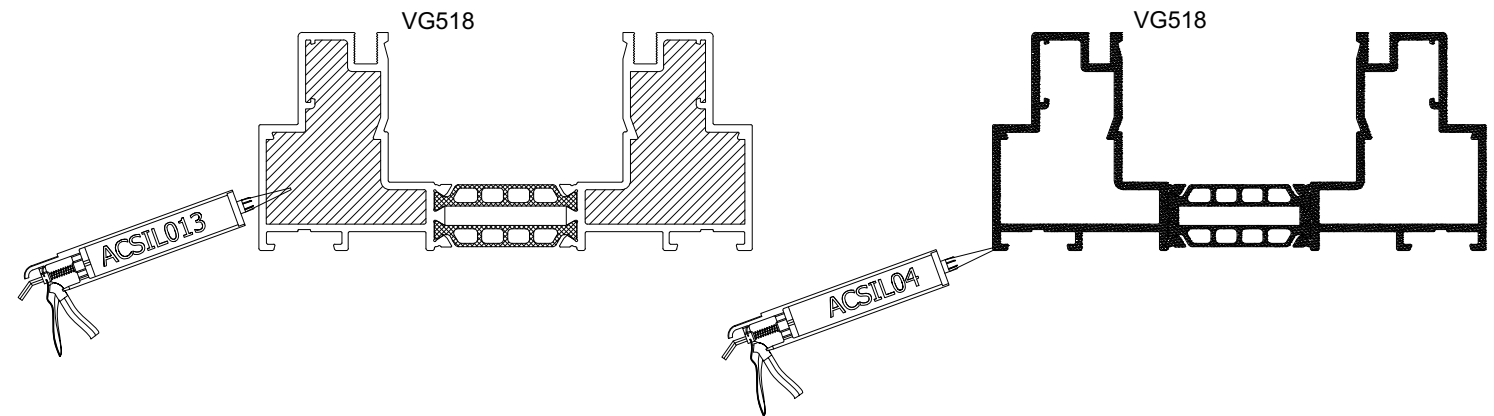
HOEKVERBINDING
RACCORD D'ANGLE
ECKVERBINDUNG
CORNER CONNECTION

VOOR MEER INFO IN VERBAND MET DE VOORBEREIDING / VERWERKING RAADPLEEG ONZE ALGEMENE VERWERKINGSVOORSCHRIFTEN

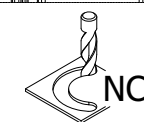
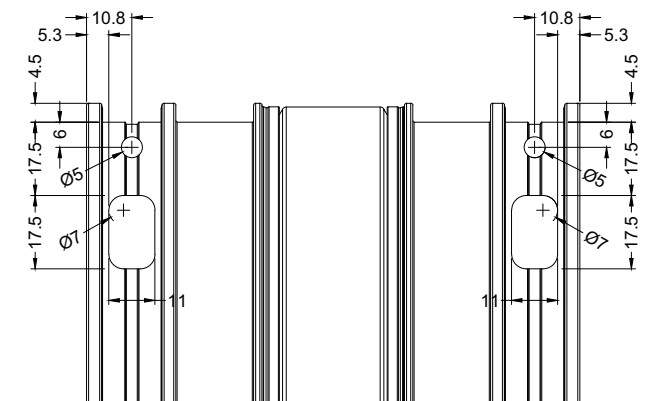
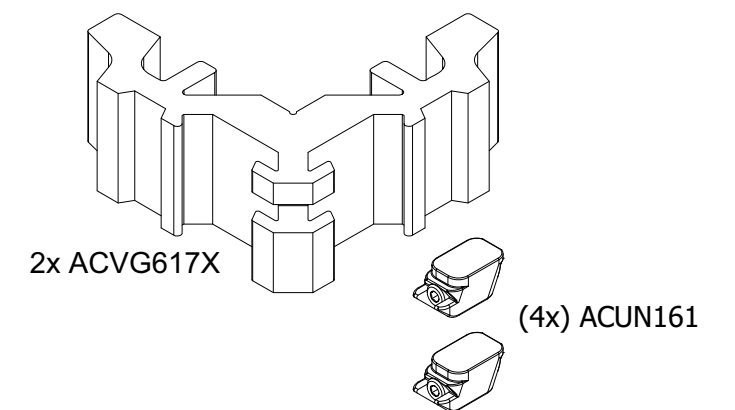
POUR PLUS D'INFORMATIONS CONCERNANT LA PREPARATION / USINAGE CONSULTEZ NOS RECOMMANDATIONS DE TRAITEMENT

FÜR WEITERE INFORMATIONEN ÜBER DIE VORBEREITUNG / VERARBEITUNG KONSULTIEREN SIE UNSERE VERARBEITUNGSVORSCHRIFTEN

FOR MORE INFORMATION CONCERNING THE PREPARATION / PROCESSING CONSULT OUR GENERAL PROCESSING INSTRUCTIONS

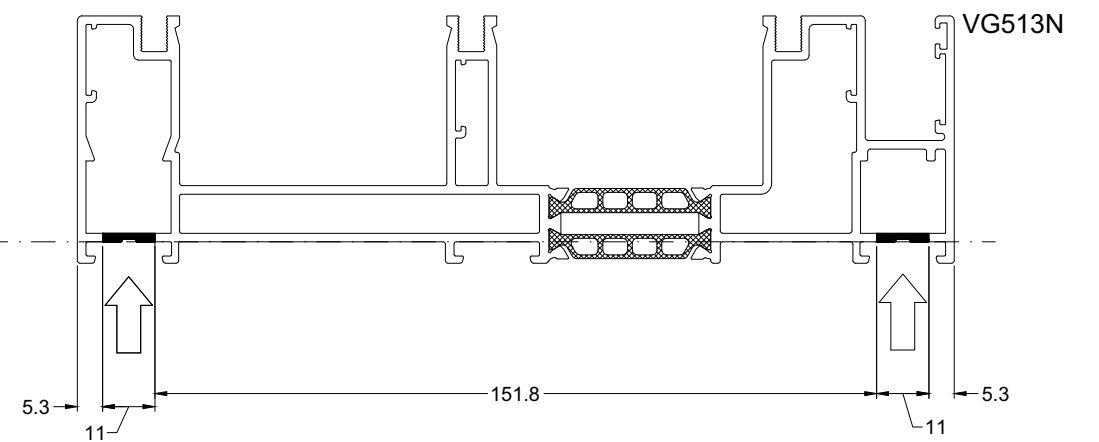
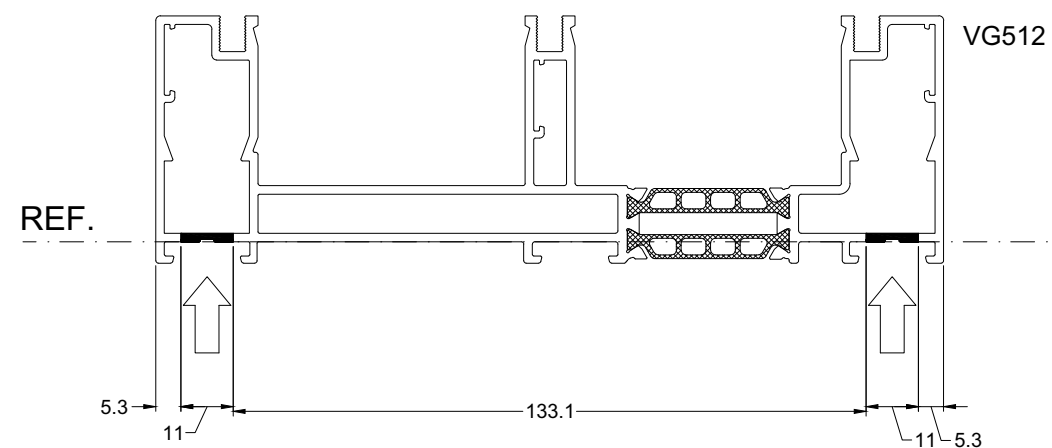
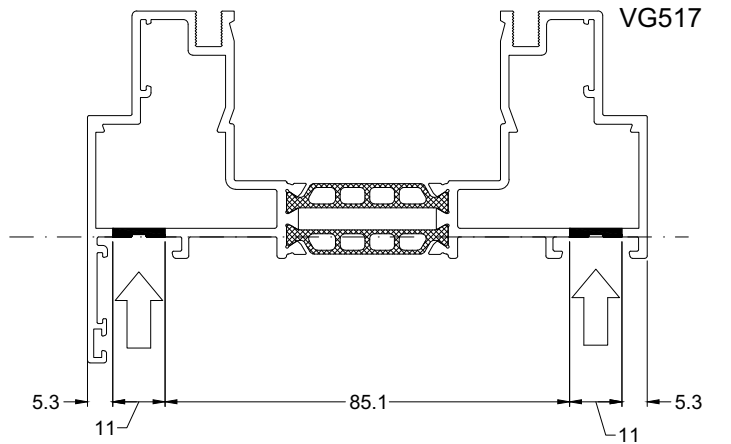
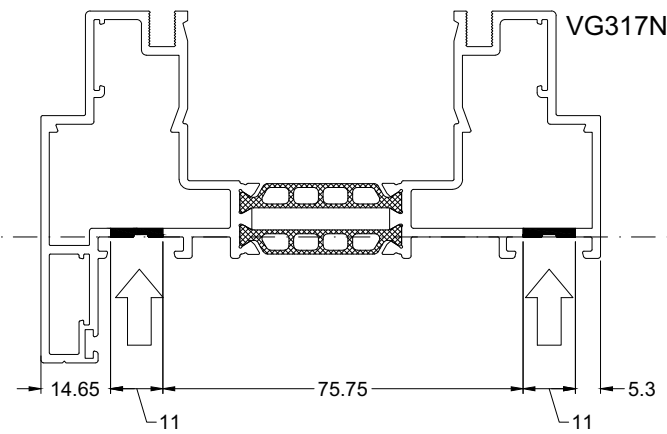
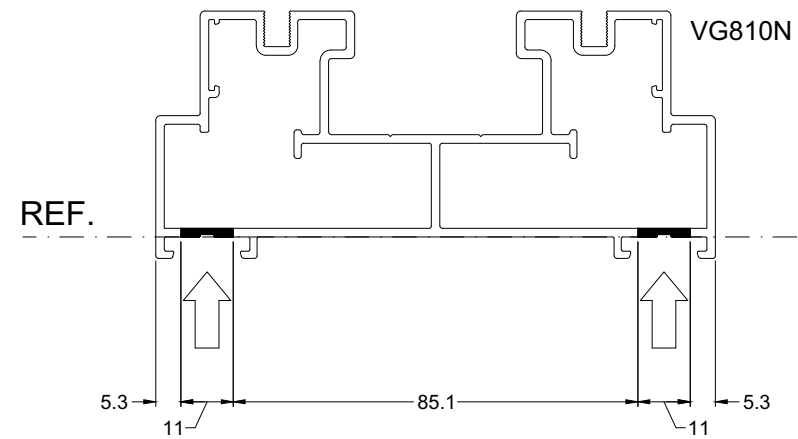
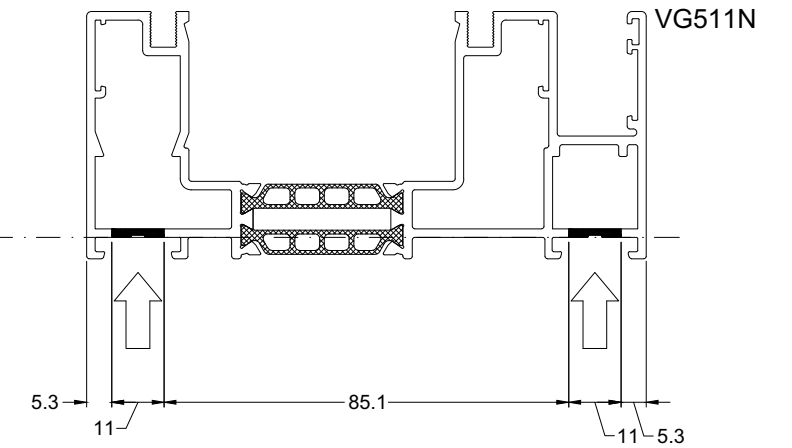
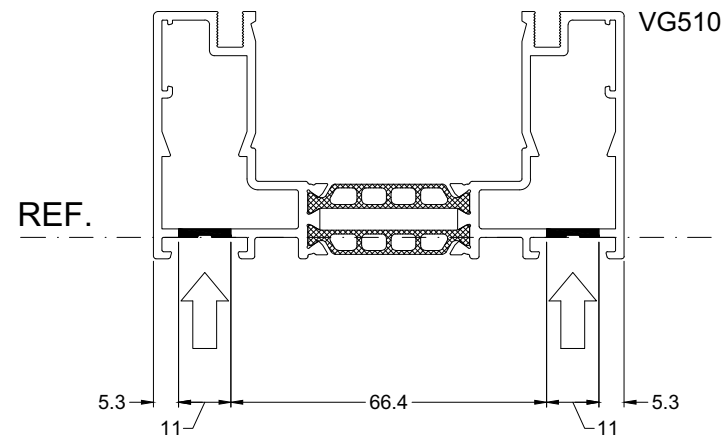
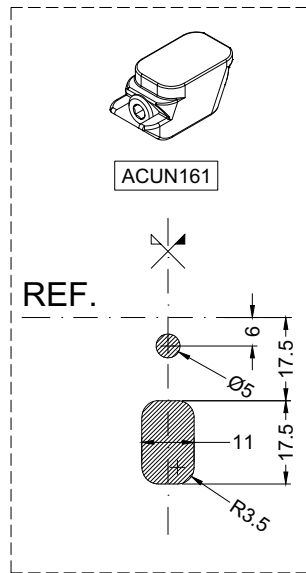


ACVG900 - POST 4
ACVG900 - POSTE 4



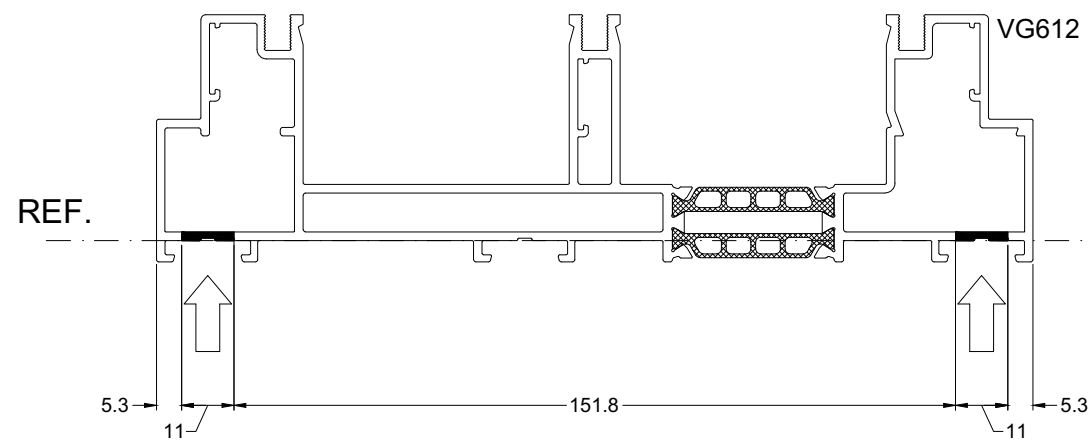
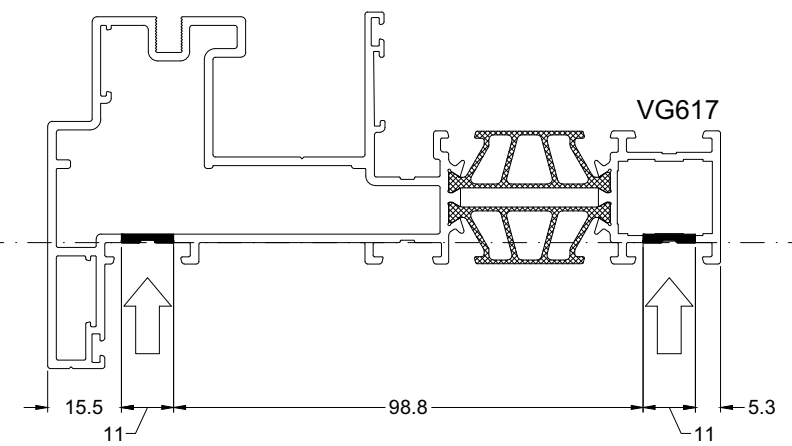
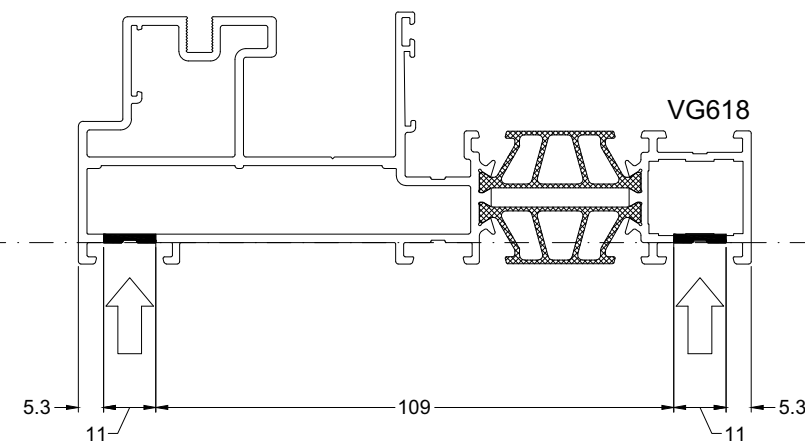
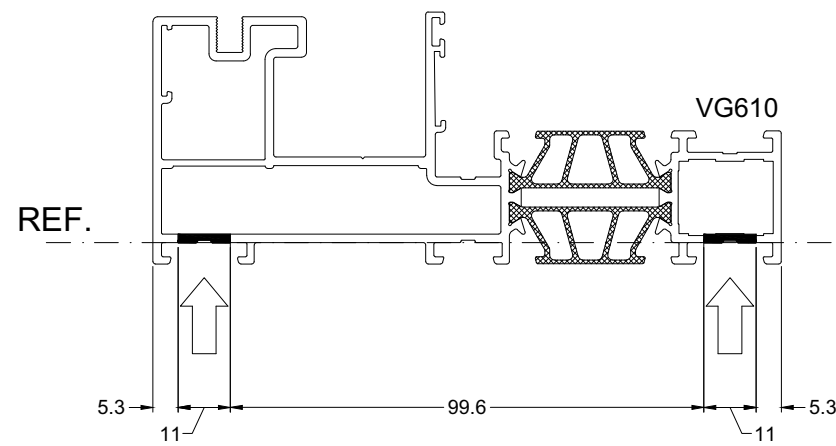
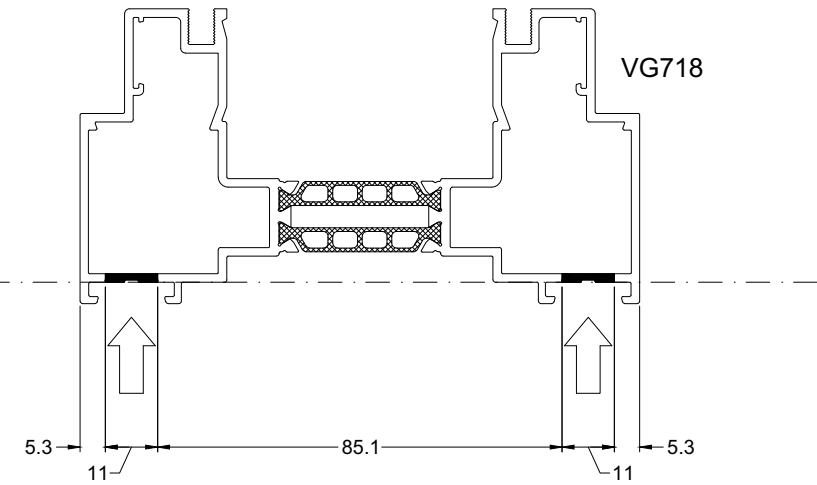
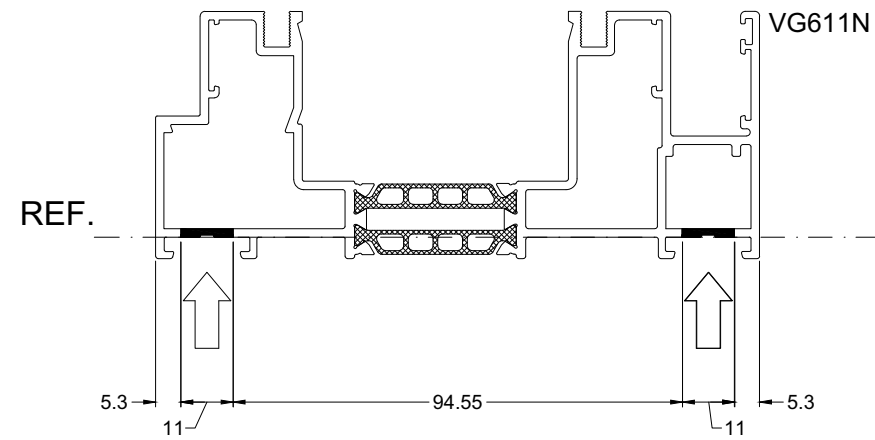
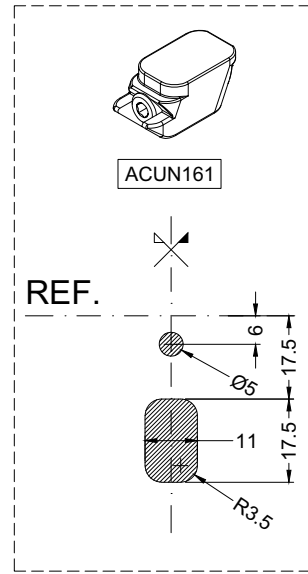
VG500

ACUN161



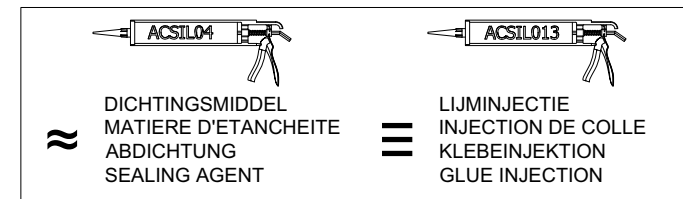
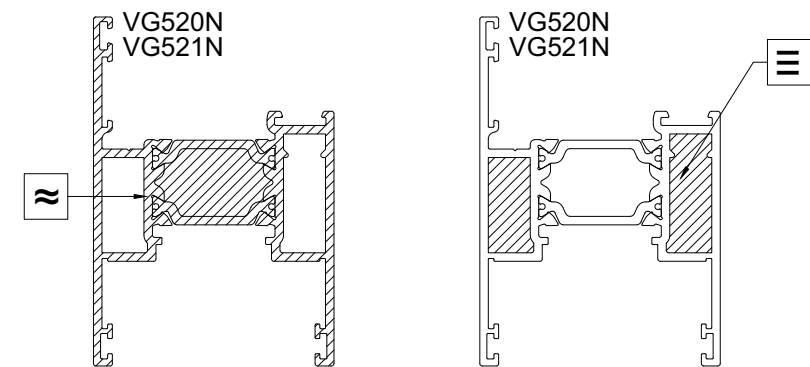
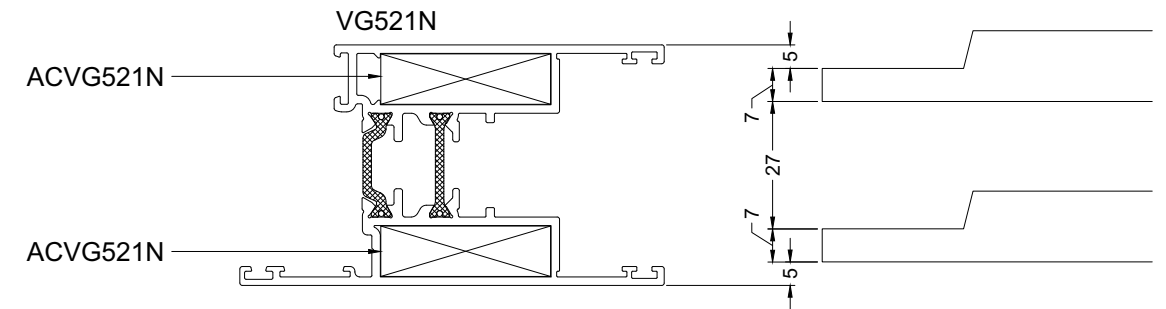
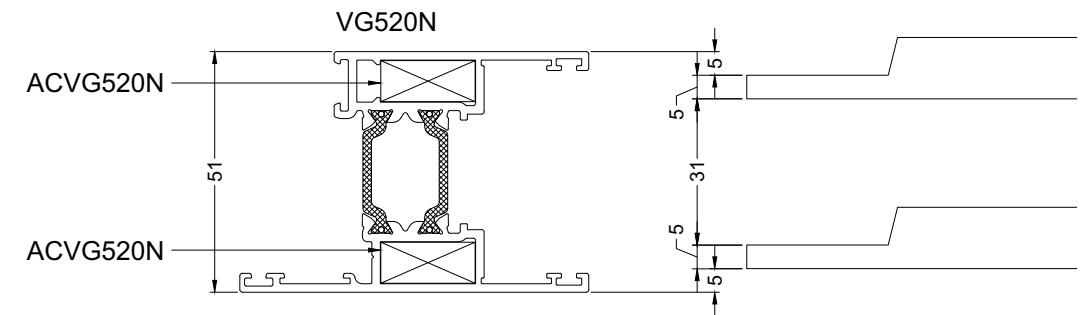
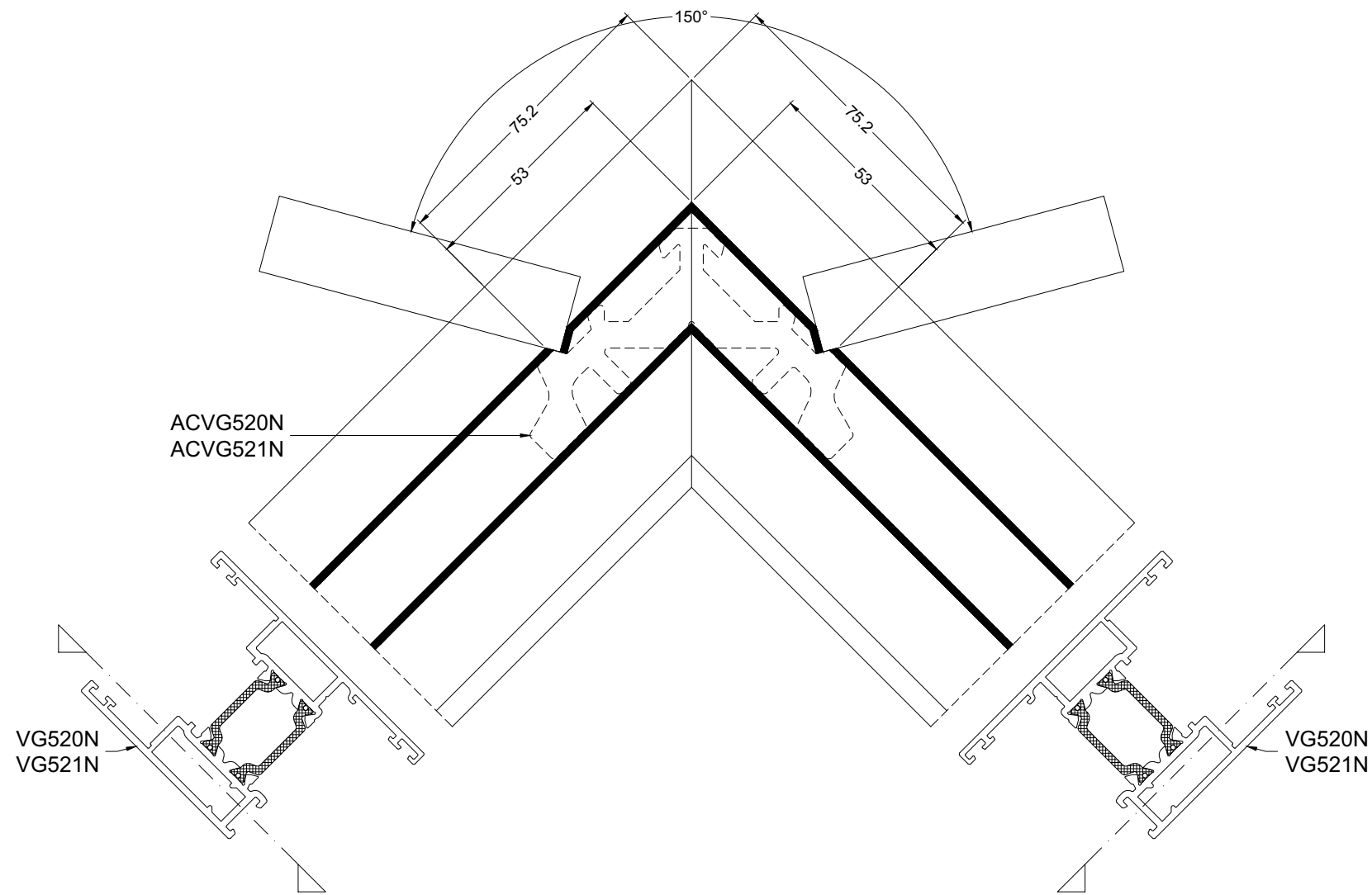
BUITENKADERS CNC - 1

ACUN161

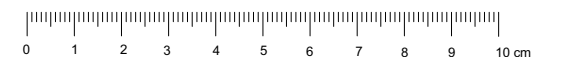


VG500

PERSHOEK VG520N/VG521N
 EQUERRE A SERTIR VG520N/VG521N
 PRESSEWINKCEL VG520N/VG521N
 CORNER CLEAT VG520N/VG521N



VG520N-PERSEN



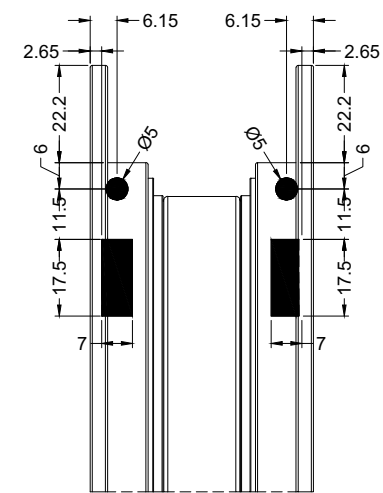
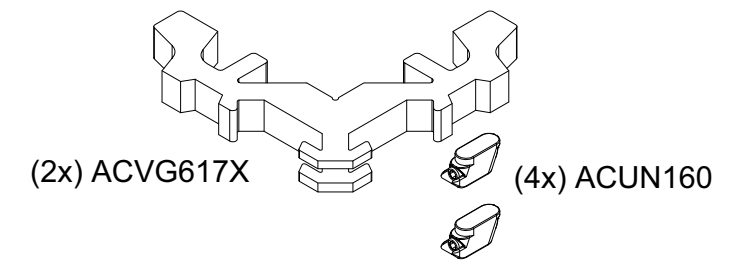
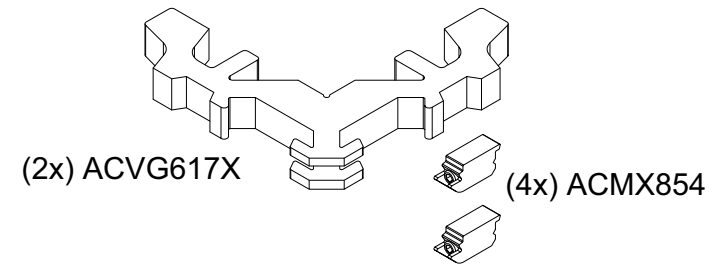
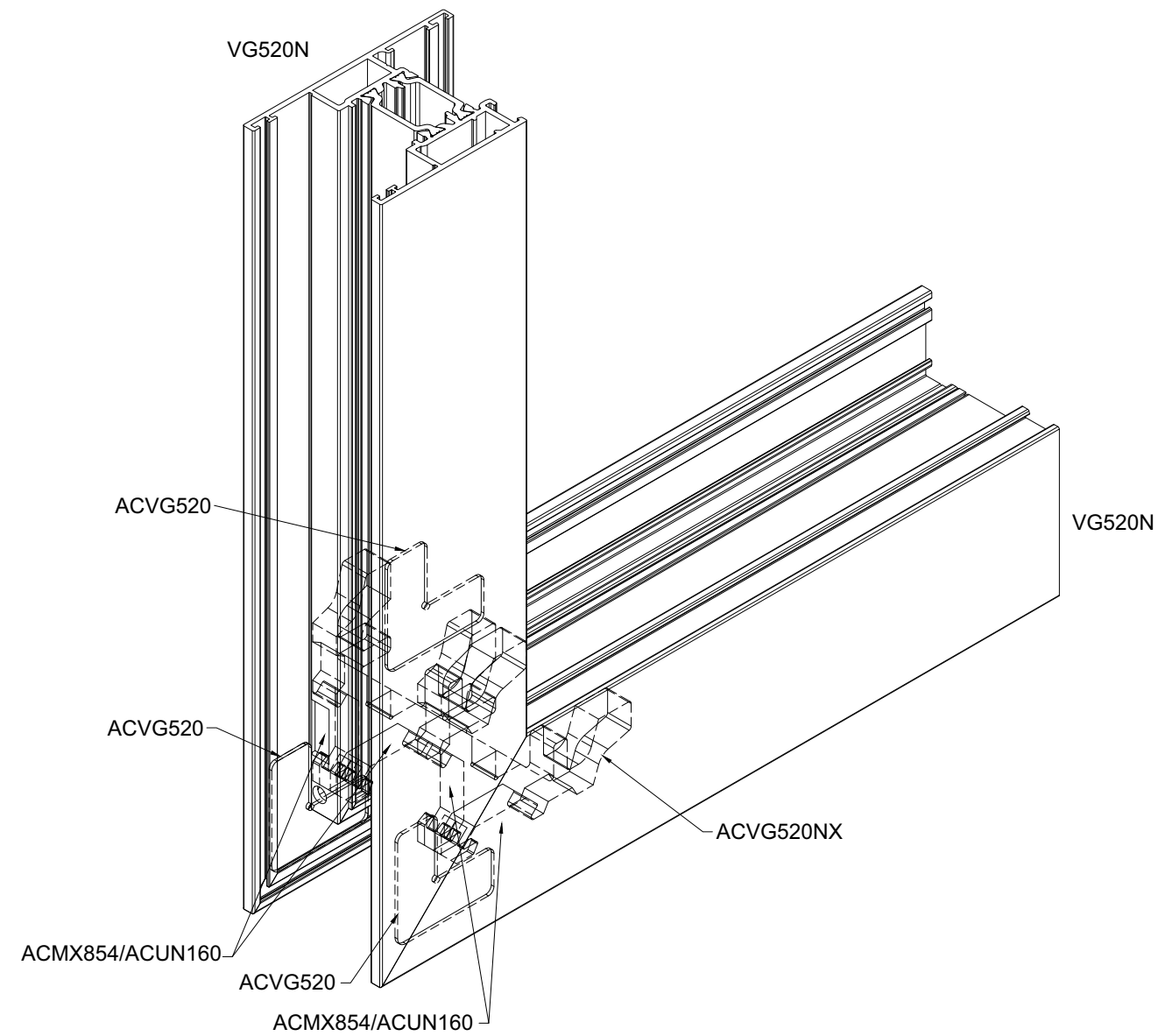
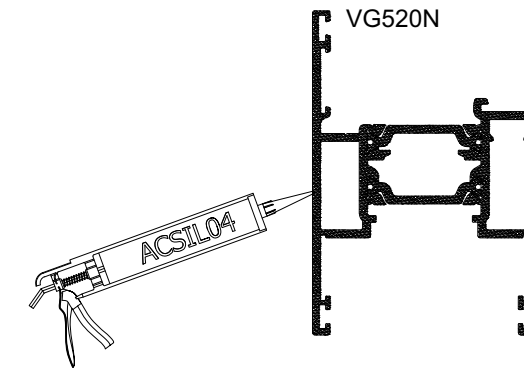
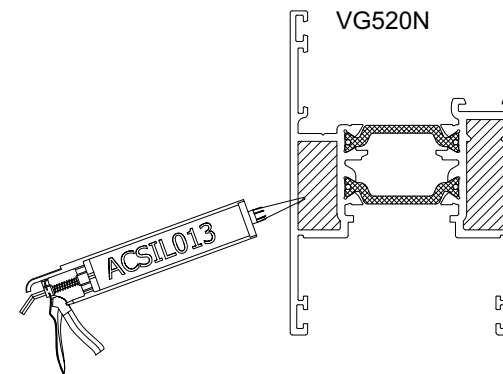
HOEKVERBINDING
RACCORD D'ANGLE
ECKVERBINDUNG
CORNER CONNECTION

VOOR MEER INFO IN VERBAND MET DE VOORBEREIDING / VERWERKING RAADPLEEG
ONZE ALGEMENE VERWERKINGSVOORSCHRIFTEN

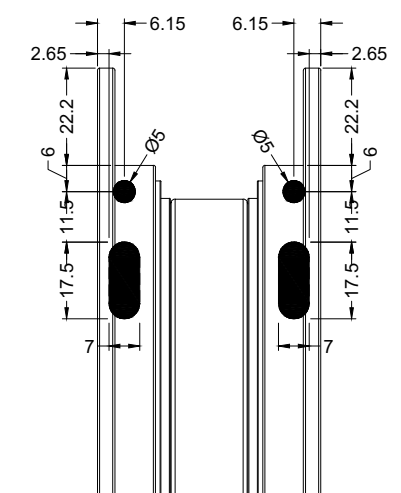
POUR PLUS D'INFORMATIONS CONCERNANT LA PREPARATION / USINAGE
CONSULTEZ NOS RECOMMANDATIONS DE TRAITEMENT

FÜR WEITERE INFORMATIONEN ÜBER DIE VORBEREITUNG / VERARBEITUNG
KONSULTIEREN SIE UNSERE VERARBEITUNGSVORSCHRIFTEN

FOR MORE INFORMATION CONCERNING THE PREPARATION / PROCESSING CONSULT
OUR GENERAL PROCESSING INSTRUCTIONS



ACVG900 - POST 5
ACVG900 - POSTE 5



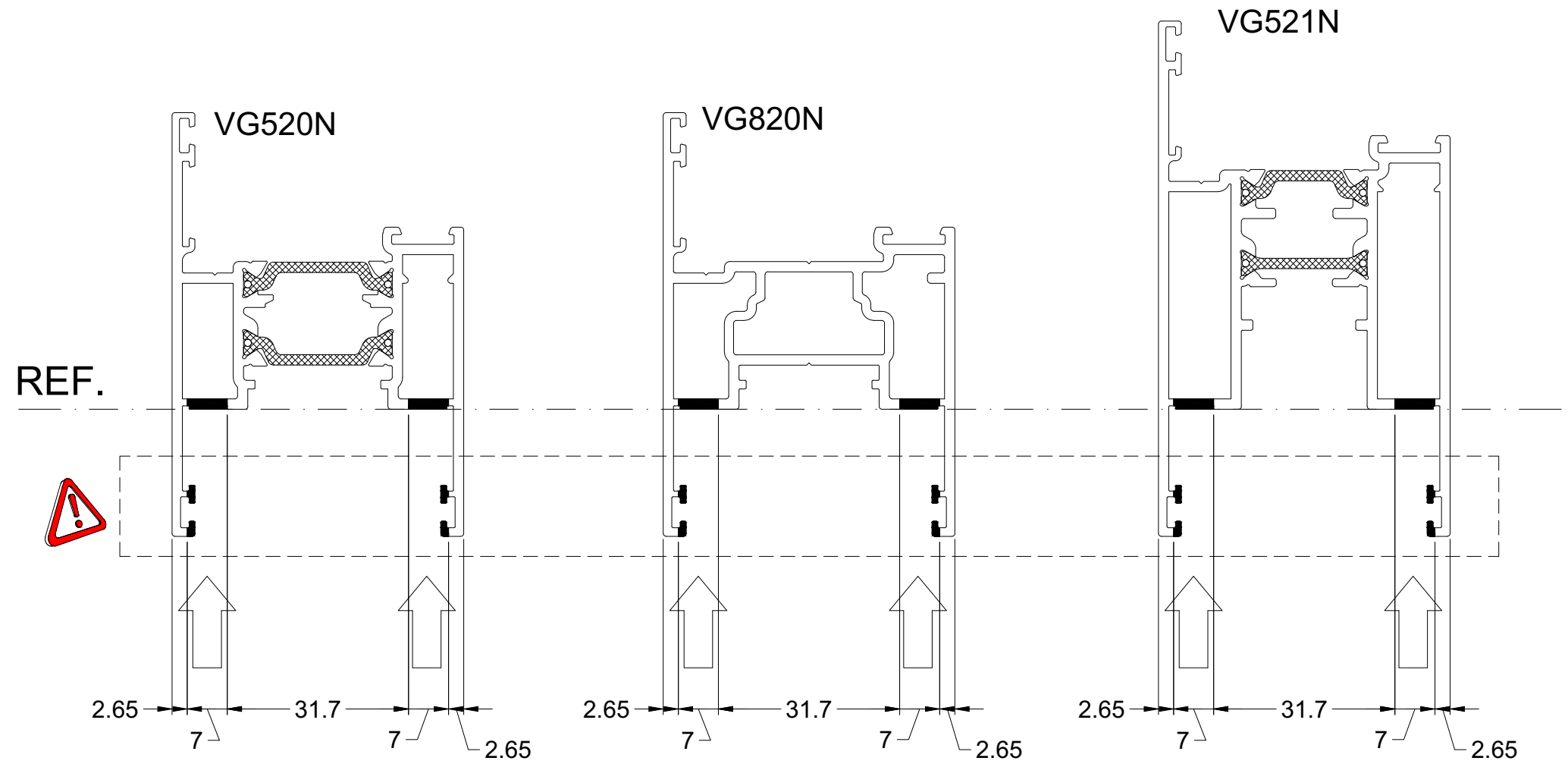
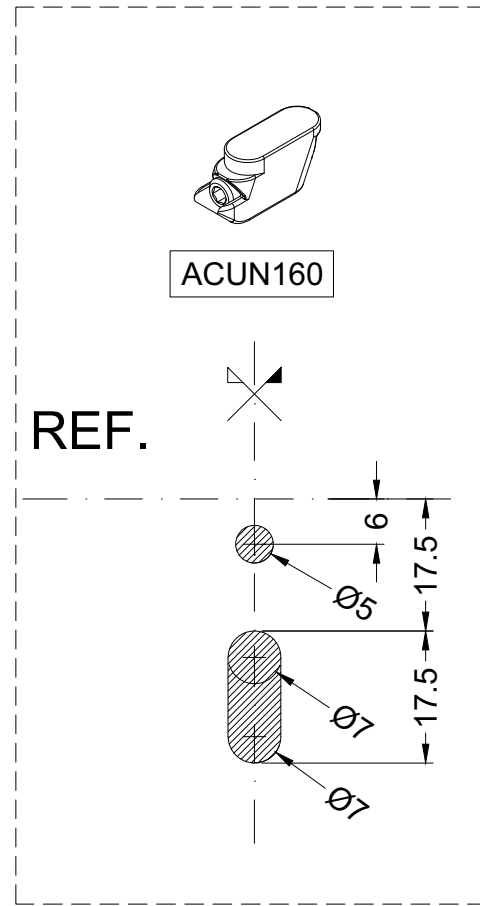
HOEKVERBINDING - VLEUGEL

aliplast
member of



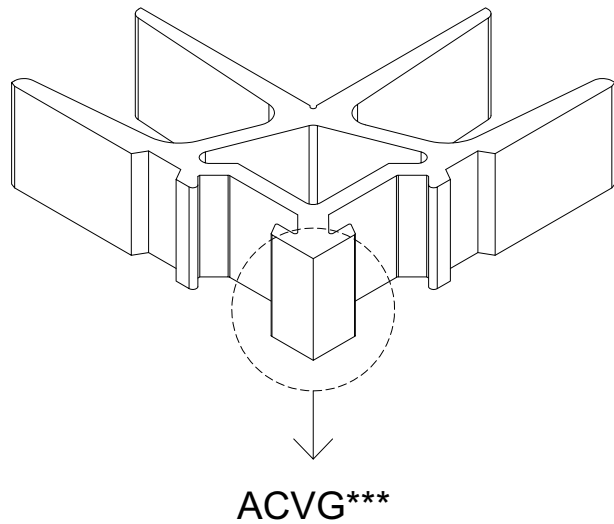
VG500

ACUN160

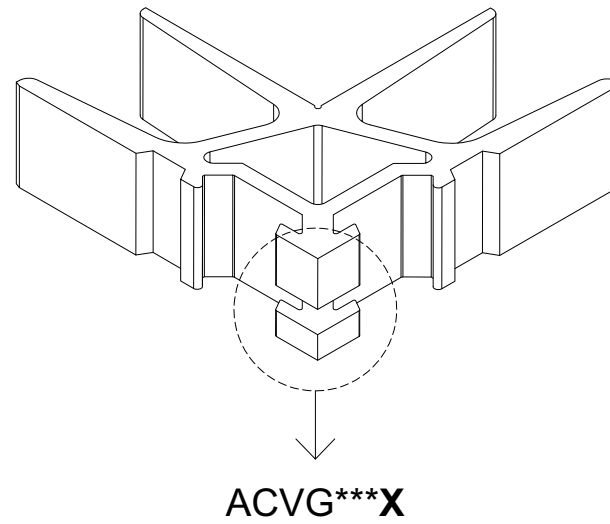


OVERZICHT SCHROEFBLOKJES
 APERCU CLAVETS
 UBERSICHT SCHRAUBLOCKEN
 OVERVIEW TENSIONNING BLOCKS

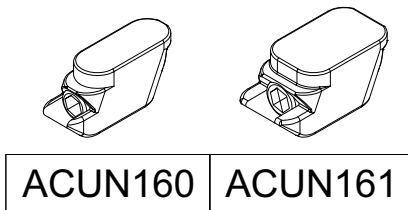
ENKEL PERSEN
 SEULEMENT SERTISSAGE
 NUR VERPRESSEN
 ONLY CRIMPING



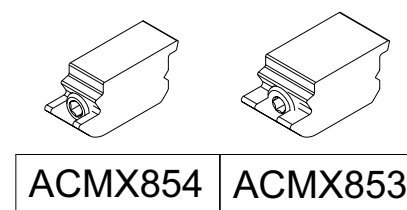
SCHROEFBAAR
 POSSIBLE À VISSER
 SCHRAUBBAR
 POSSIBLE TO SCREW



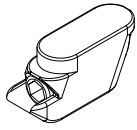
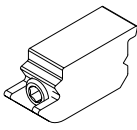
BEWERKING MET CNC
 USAGE PAR CNC
 BEARBEITUNG AUF SBZ
 OPERATION WITH CNC

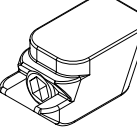
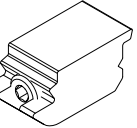


BEWERKING MET PNEUMATISCHE PONSMATRIJS
 USAGE PAR POINCONNEUSE PNEUMATIQUE
 BEARBEITUNG AUF STANZWERKZEUG
 OPERATION WITH PUNCH TOOL



SCHROEFBLOKJES APART TE BESTELLEN
 CLAVETS À COMMANDER SÉPARÉMENT
 SCHRAUBLOCKEN SEPARAT ZU BESTELLEN
 TENSIONNING BLOCKS TO ORDER SEPERATELY

| | | |
|---|------------------------|---|
|  | OF OU ODER OR |  |
| ACUN160 | | ACMX854 |
| ACVG520NX | | |
| ACVG521NX | | |

| | | |
|---|------------------------|---|
|  | OF OU ODER OR |  |
| ACUN161 | | ACMX853 |
| ACVG510X | | |
| ACVG610X | | |
| ACVG611BX | | |
| ACVG617X | | |
| ACVG618X | | |
| ACVG718X | | |

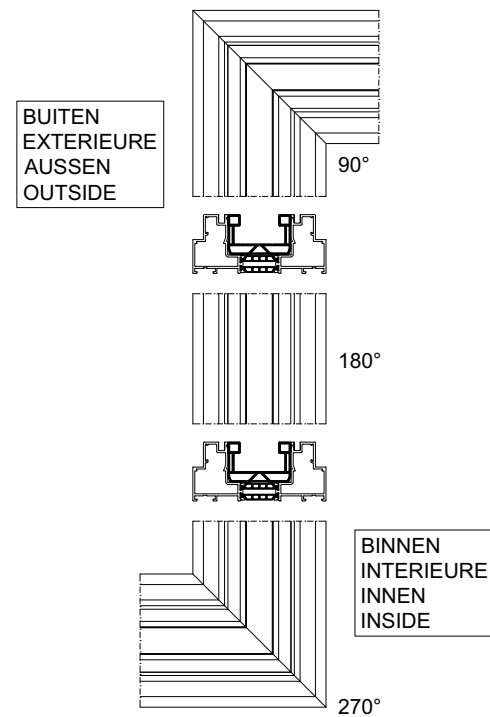
VG500

HOEKOPSTELLING 90° - 180° - 270°

SOLUTION 90° - 180° - 270°

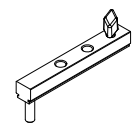
ECKLOSUNGUG 90° - 180° - 270°

CORNER SOLUTION 90° - 180° - 270°

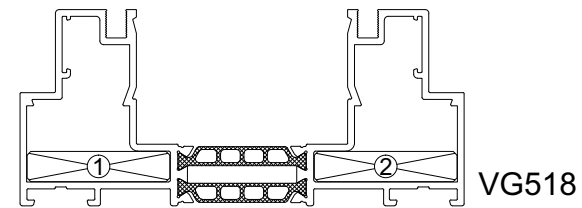


| | | |
|----|------|----------|
| 1. | 90° | ACVG2090 |
| | 180° | ACVG2018 |
| | 270° | ACVG2190 |
| 2. | 90° | ACVG2190 |
| | 180° | ACVG2018 |
| | 270° | ACVG2090 |
| 3. | 90° | ACVG2290 |
| | 180° | ACVG2218 |
| | 270° | ACVG2290 |
| 4. | 90° | ACVG3690 |
| | 180° | ACVG3618 |
| | 270° | ACVG3690 |
| 5. | 90° | ACVG2690 |
| | 180° | ACVG2618 |
| | 270° | ACVG2627 |
| 6. | 90° | ACVG2627 |
| | 180° | ACVG2618 |
| | 270° | ACVG2690 |
| 7. | 90° | ACVG2790 |
| | 180° | ACVG2718 |
| | 270° | ACVG2727 |
| 8. | 90° | ACVG2890 |
| | 180° | ACVG2818 |
| | 270° | ACVG2827 |

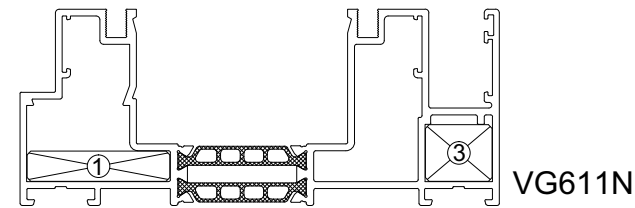
ACUG956



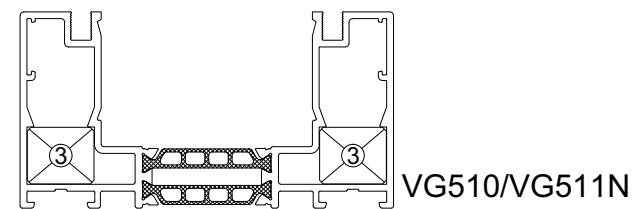
BOORMAL
GABARIT
BOHRLEHRE
BORING JIG



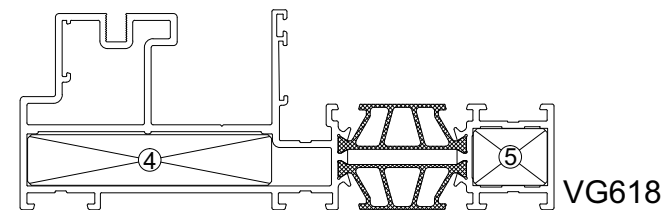
VG518



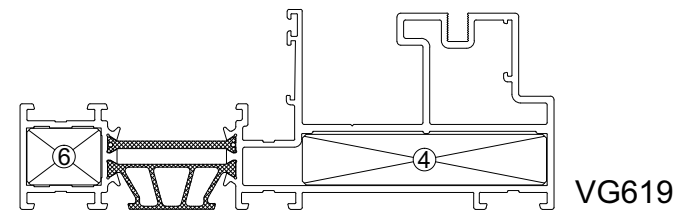
VG611N



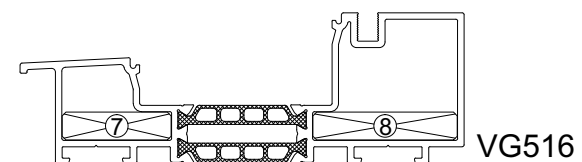
VG510/VG511N



VG618

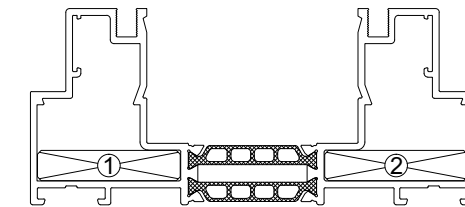


VG619

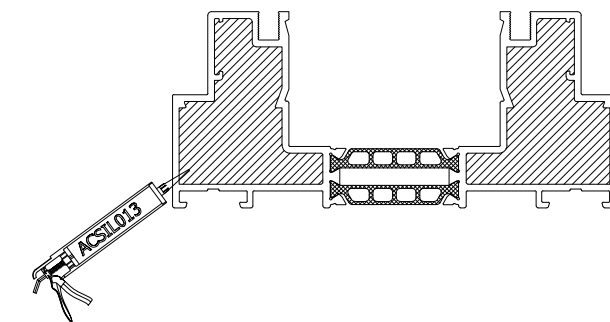
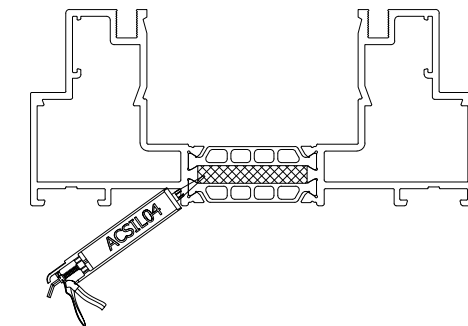
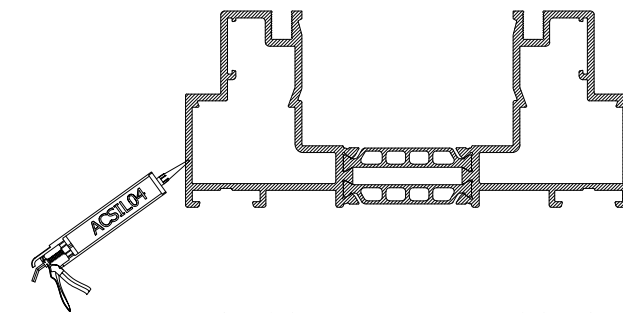


VG516

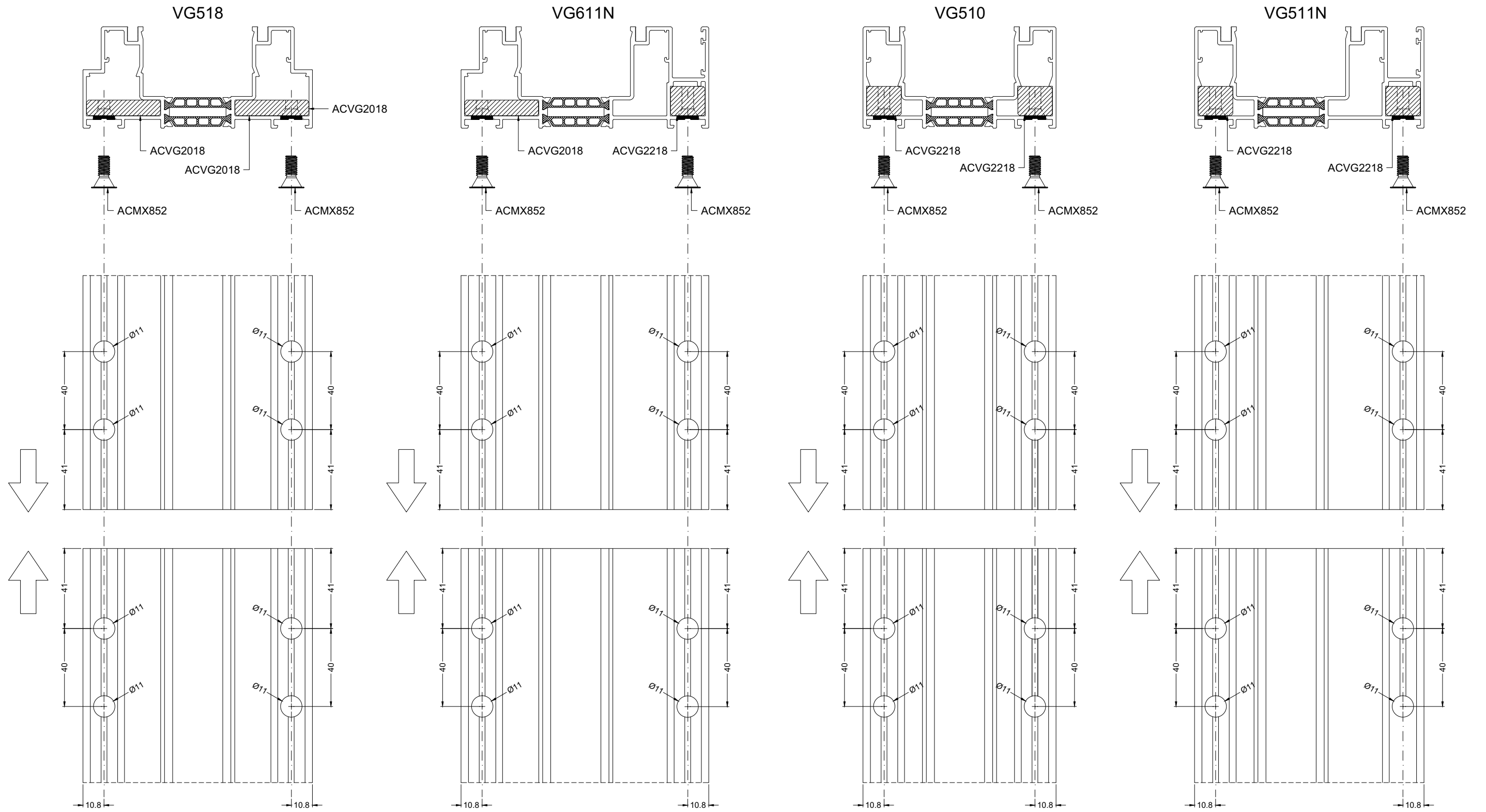
PRINCIPETEKENING
DESSIN DE PRINCIPE
GRUNDSATZZEICHNUNG
SCHEMATIC DRAWING



BIJ KOPPELING, GEBRUIK WATERDICHTE FOLIE
EN CAS DE RACCORDEMENT, EMPLOYEZ DU FEUIL ETANCHE
BEI KOPPELUNG, WENDEN SIE EINE WASSERDICHTE FOLIE
WHEN CONNECTING, PLEASE APPLY WATERTIGHT FOIL



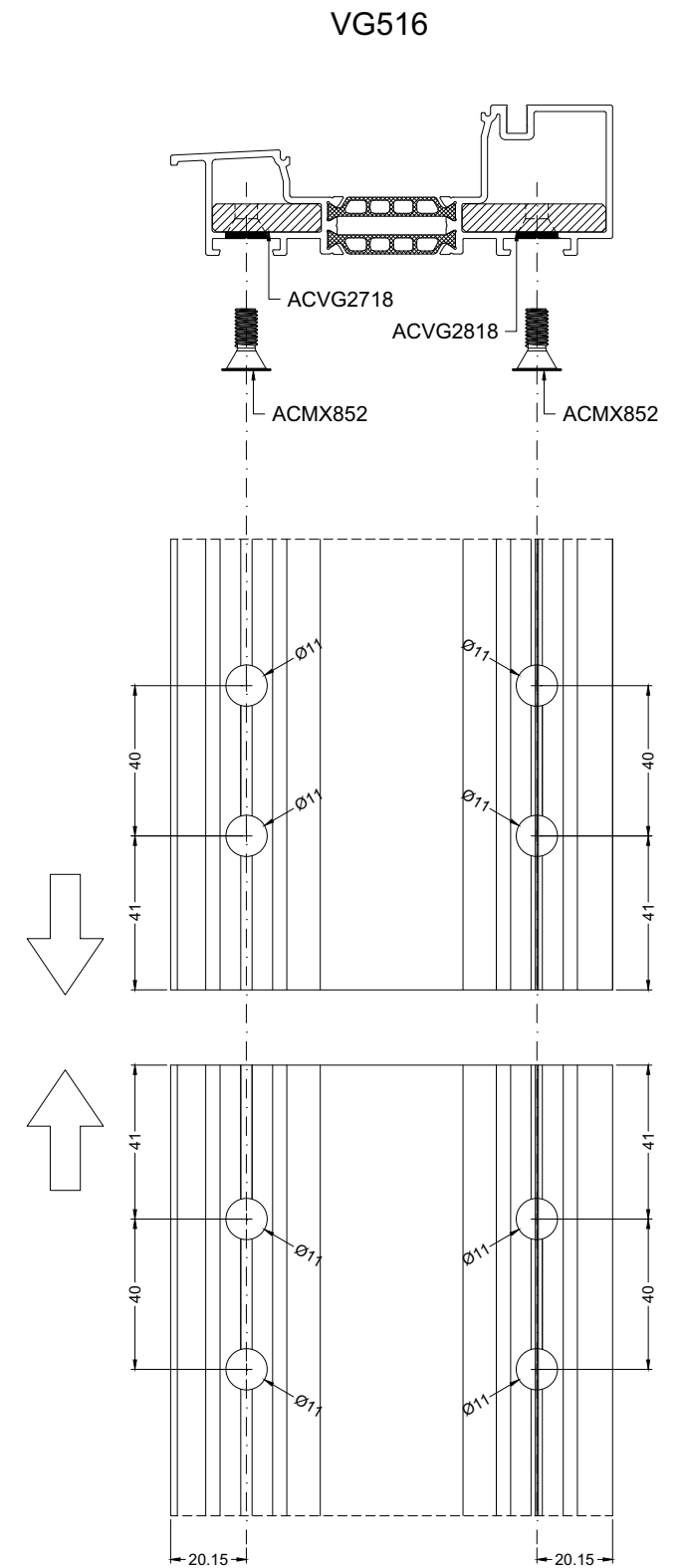
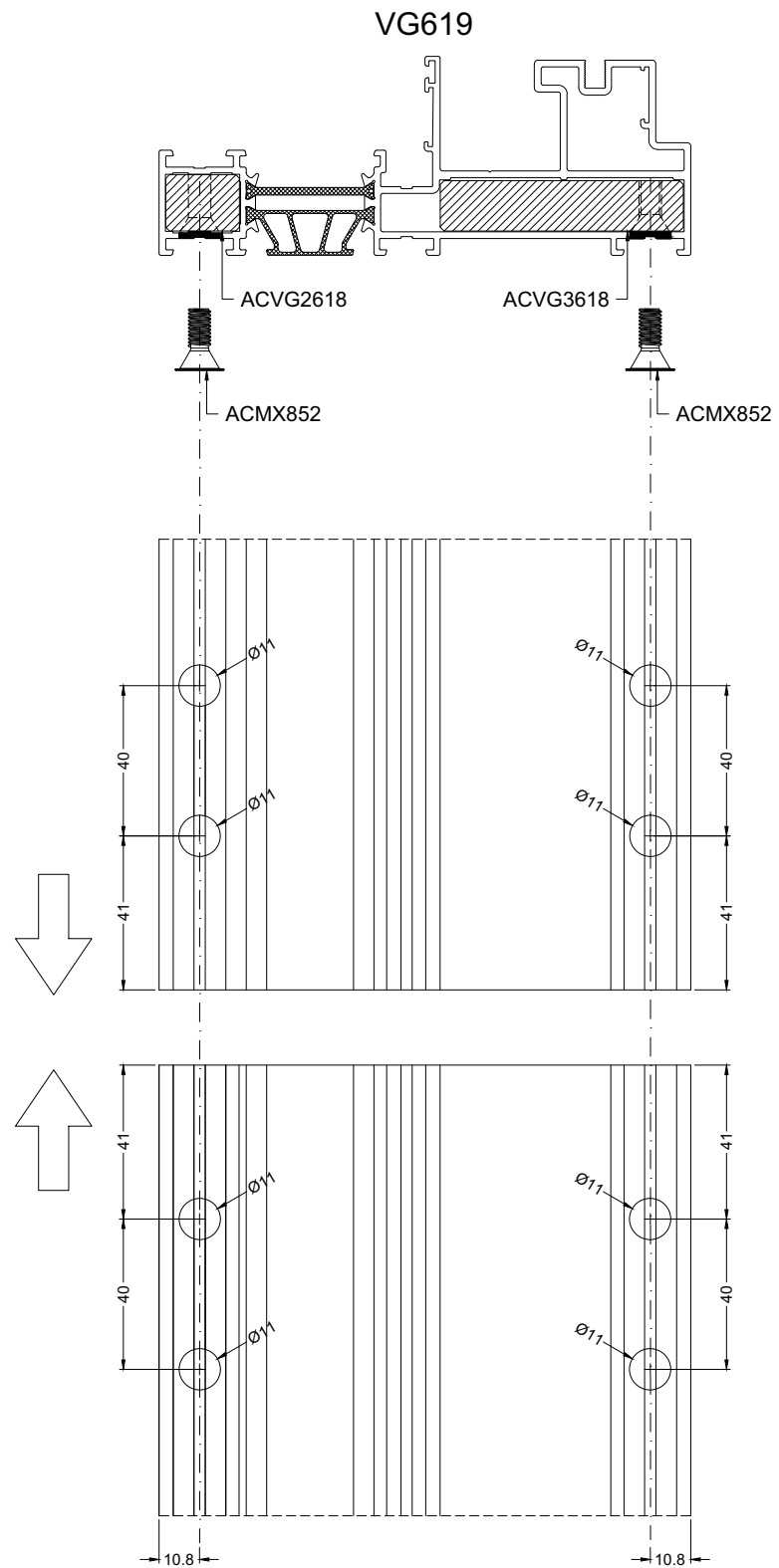
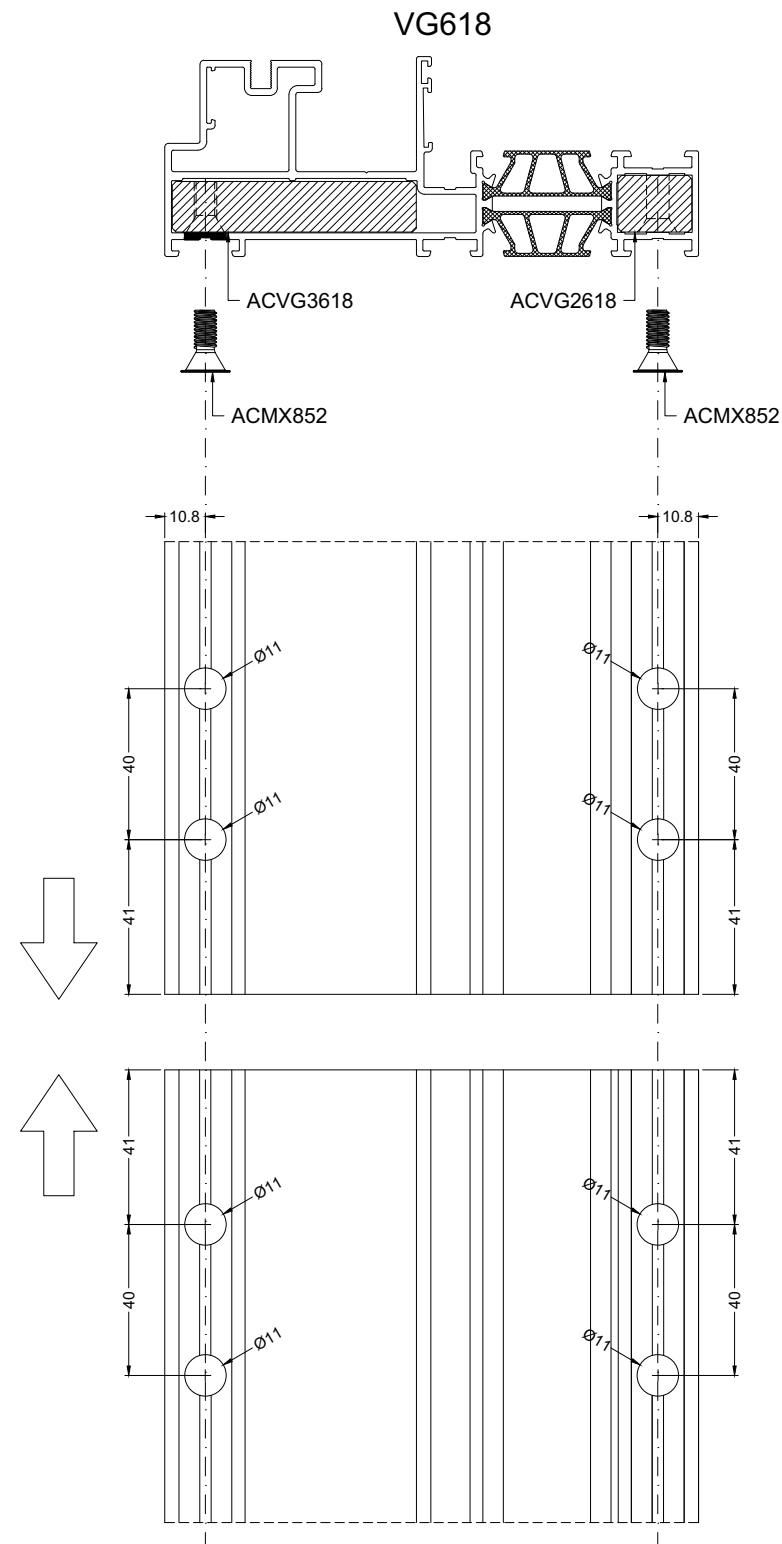
KOPPELING 180°
 CONNECTION 180°
 KOPPLUNG 180°
 CONNECTION 180°



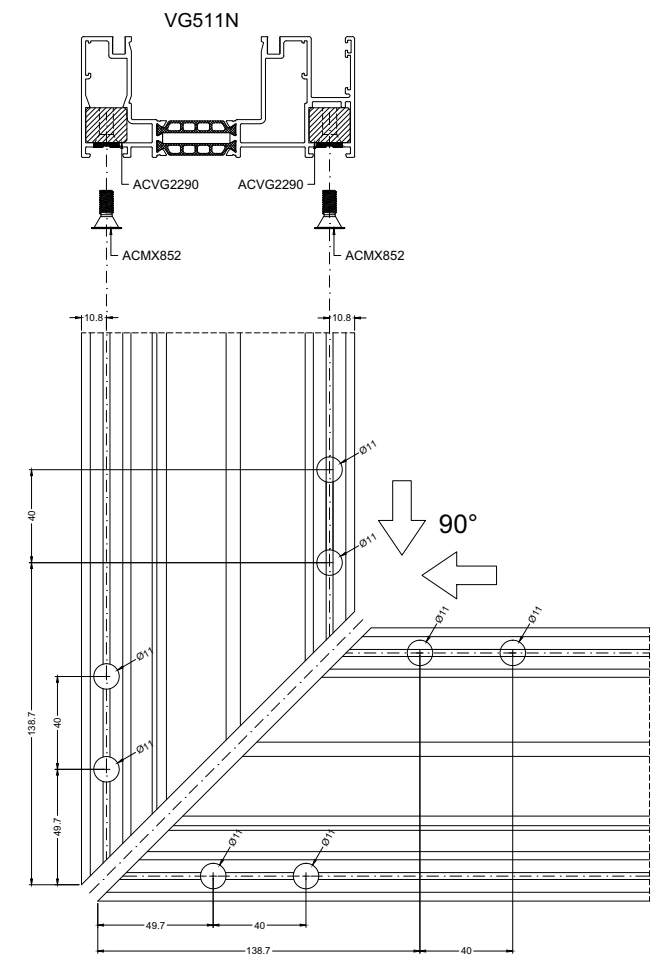
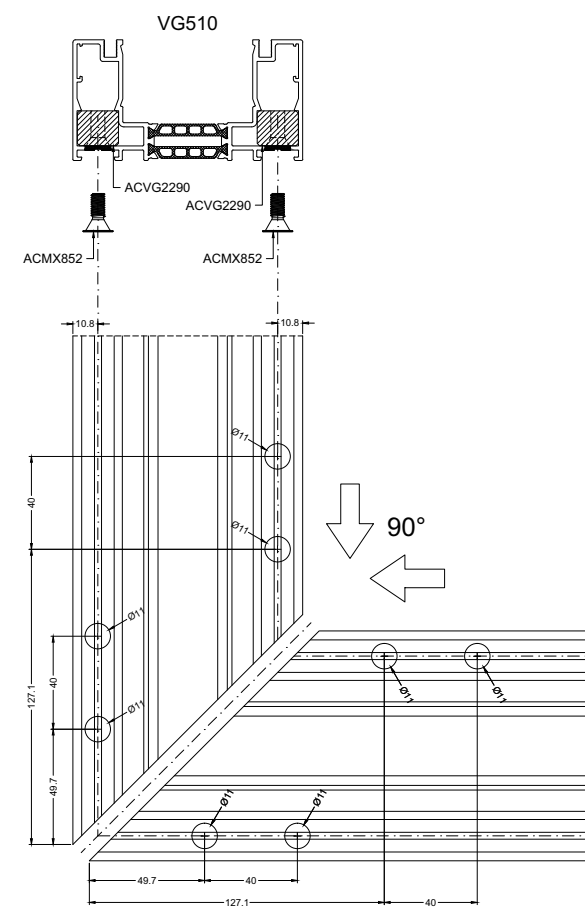
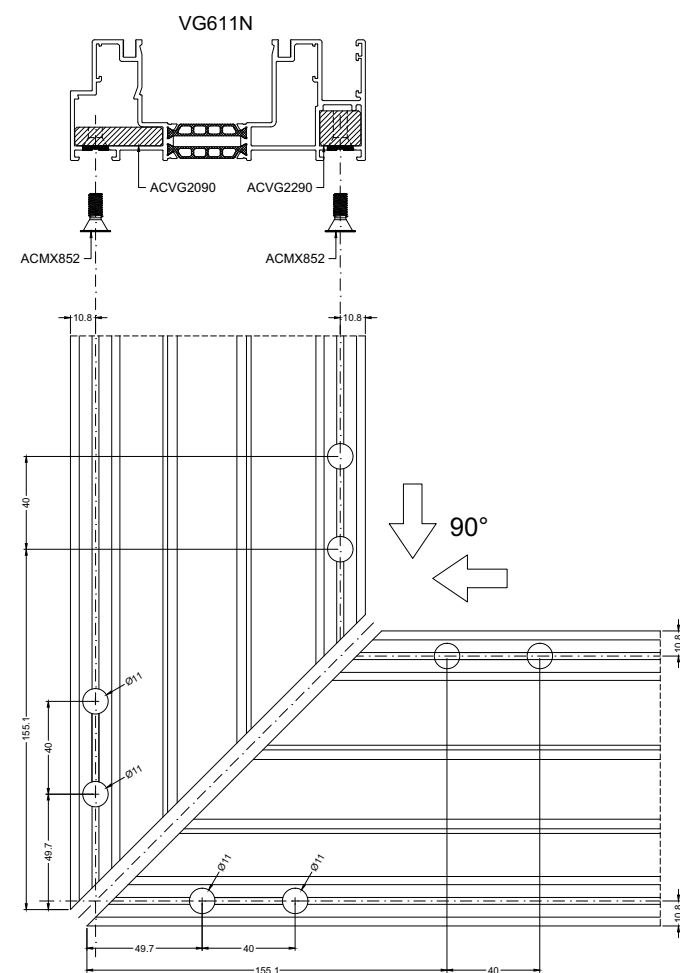
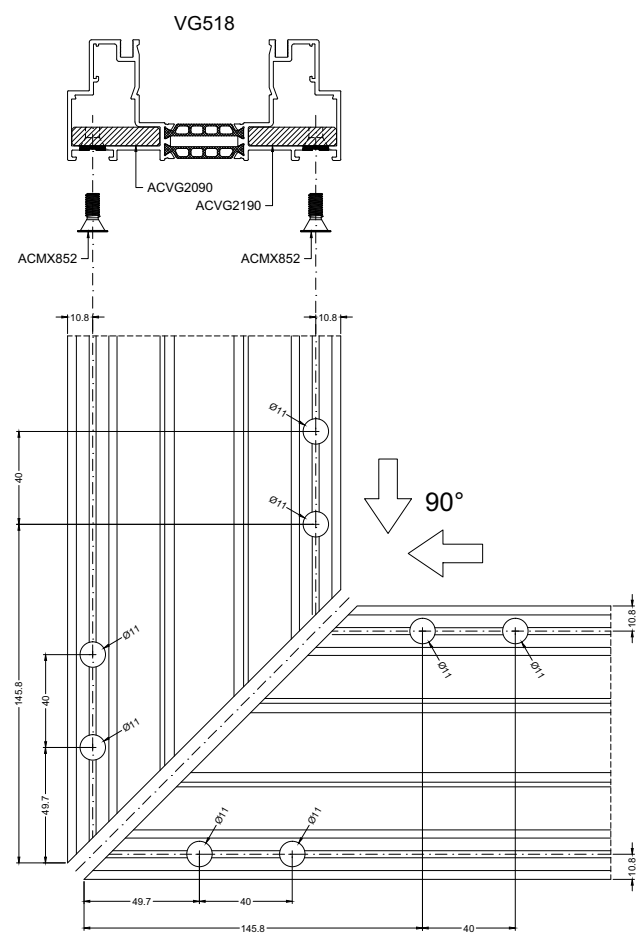
CONNECTION_180_1

VG500

KOPPELING 180°
CONNECTION 180°
KOPPLUNG 180°
CONNECTION 180°



KOPPELING 90°
 CONNECTION 90°
 KOPPLUNG 90°
 CONNECTION 90°



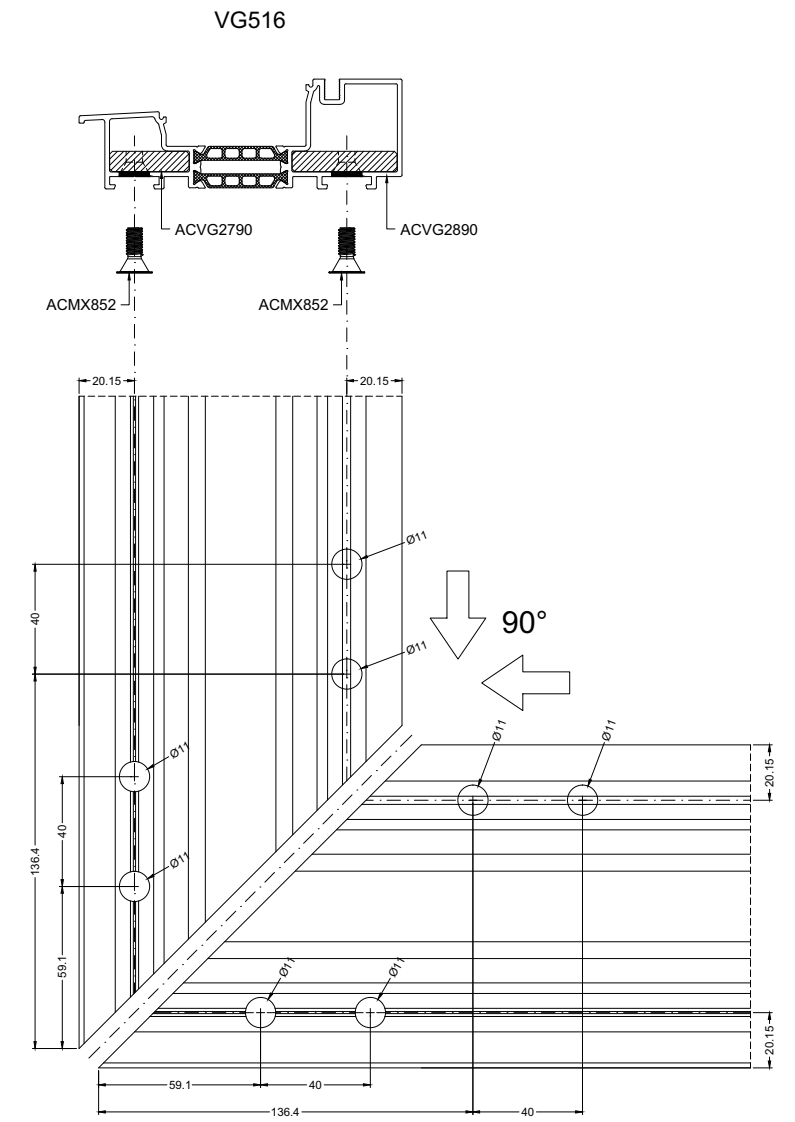
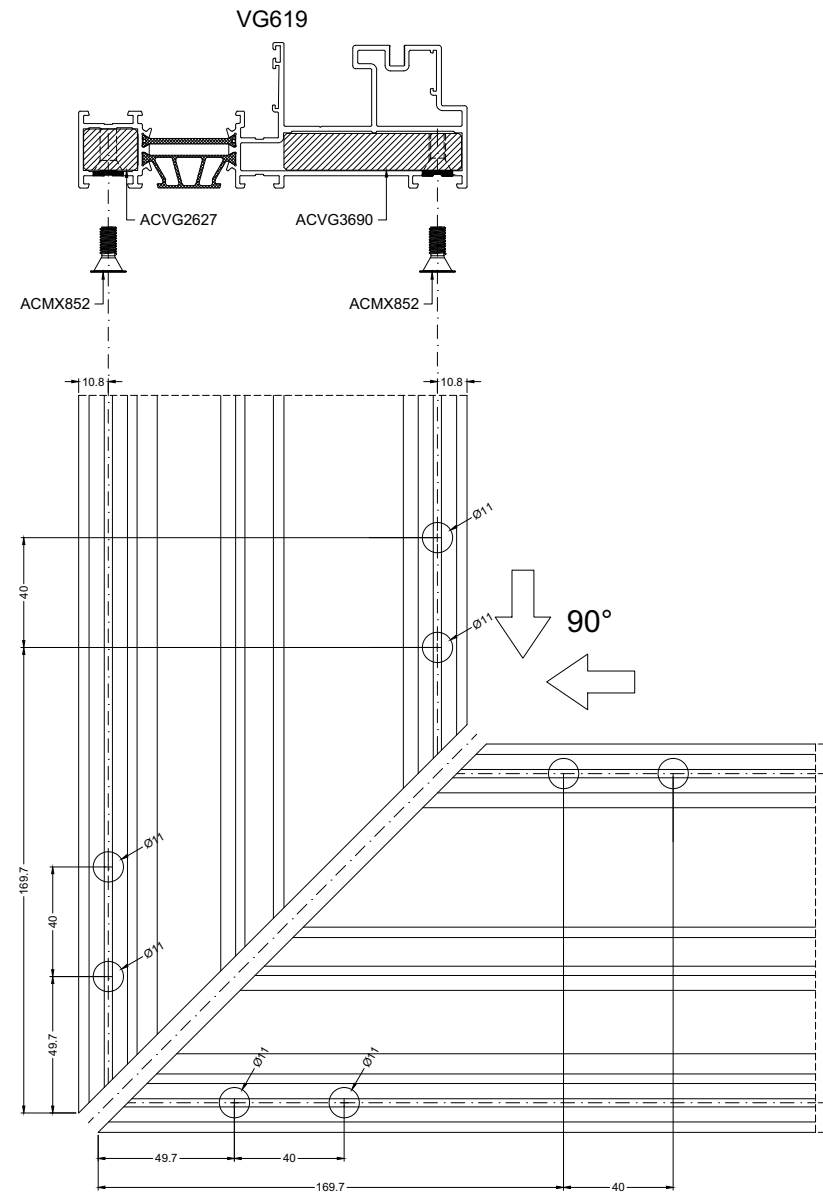
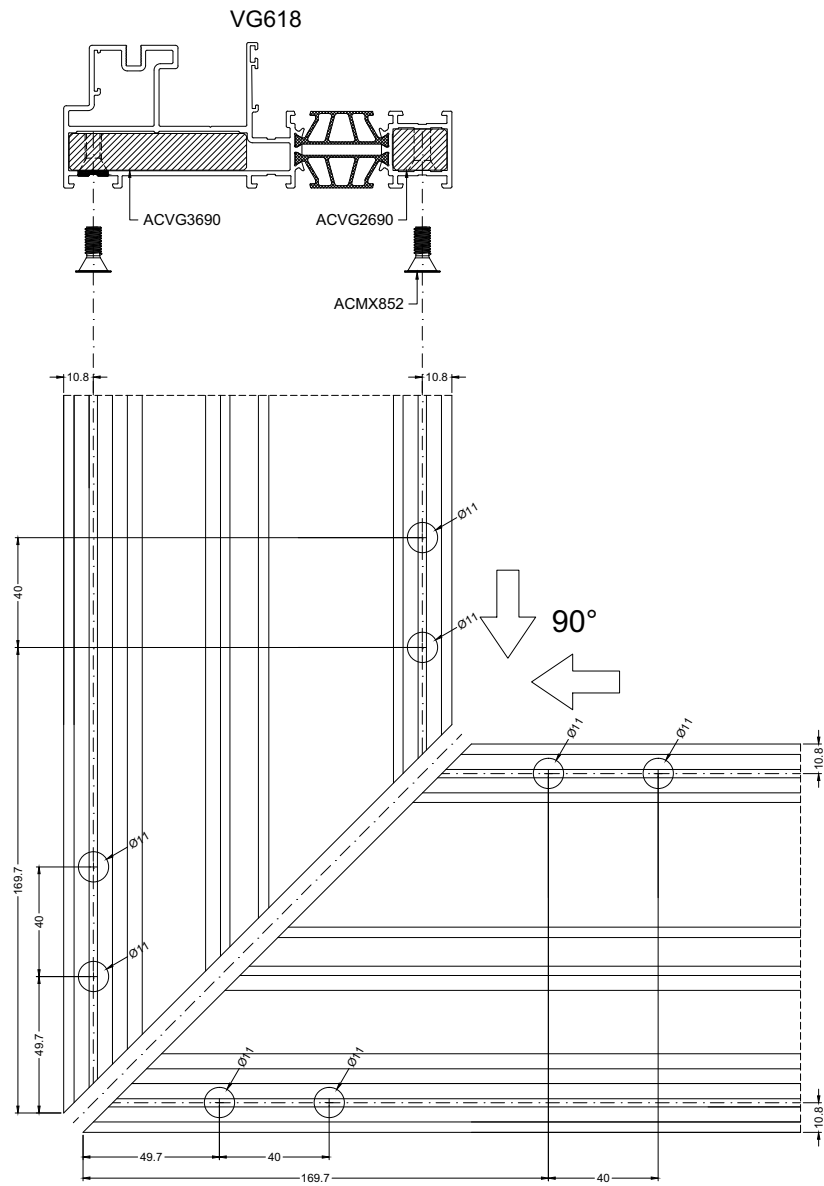
CONNECTION_90_1

aliplast
 member of



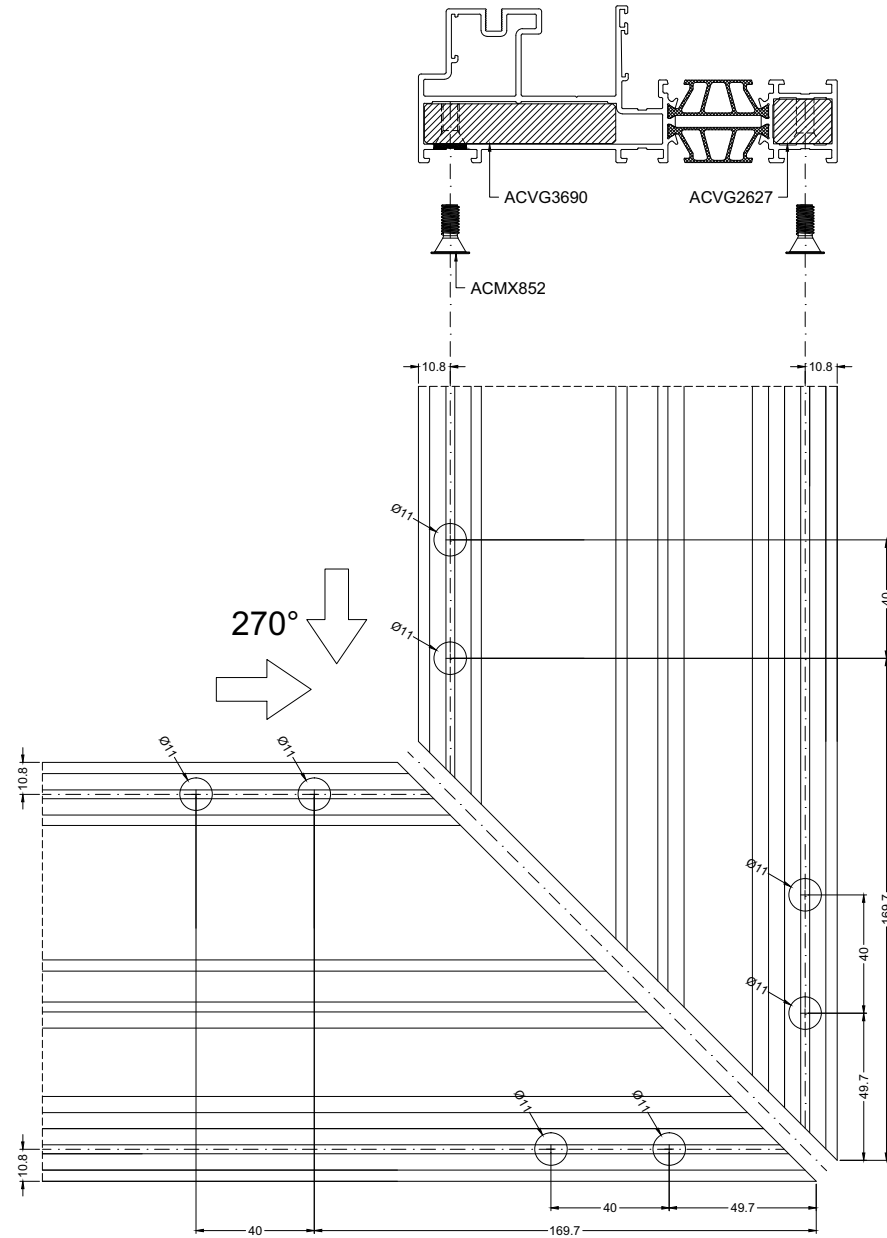
VG500

KOPPELING 90°
CONNECTION 90°
KOPPLUNG 90°
CONNECTION 90°

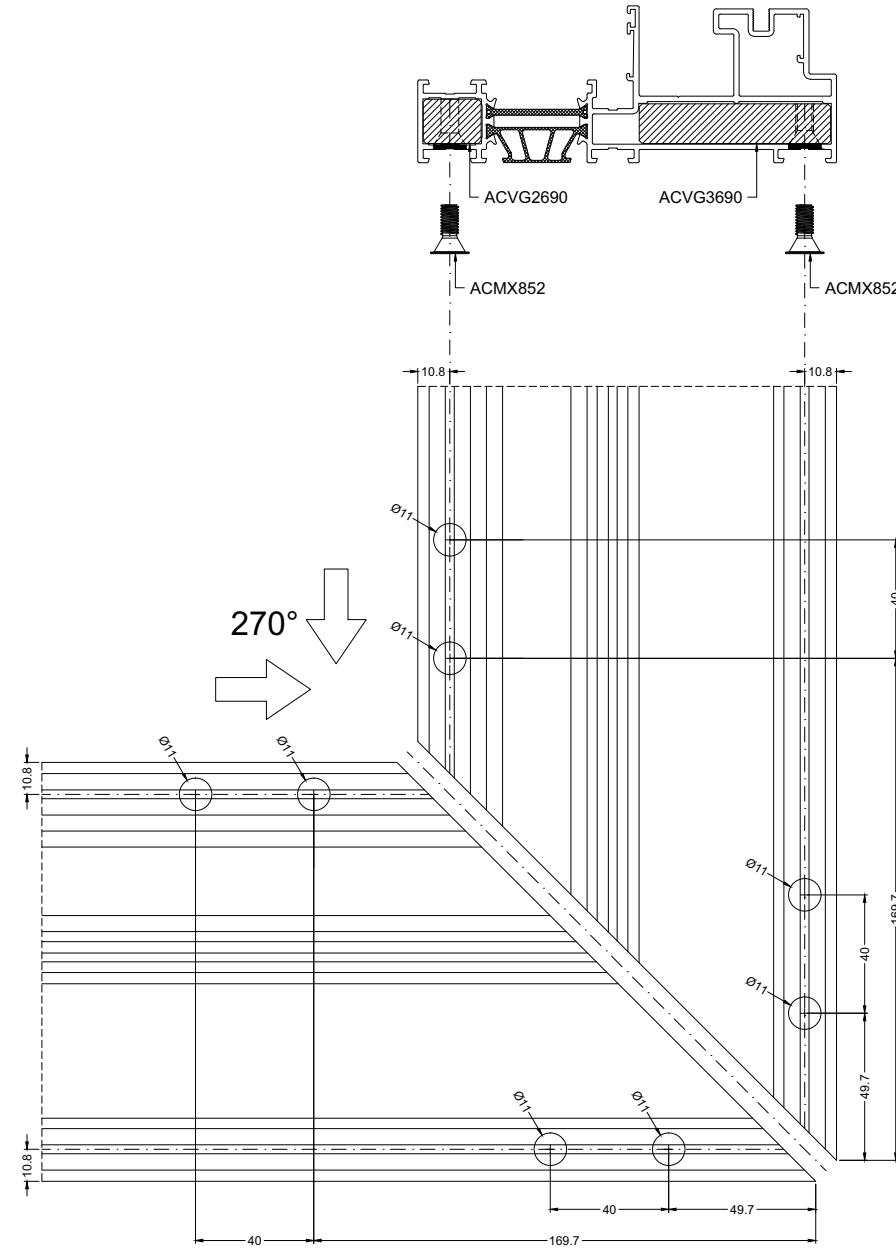


VG500

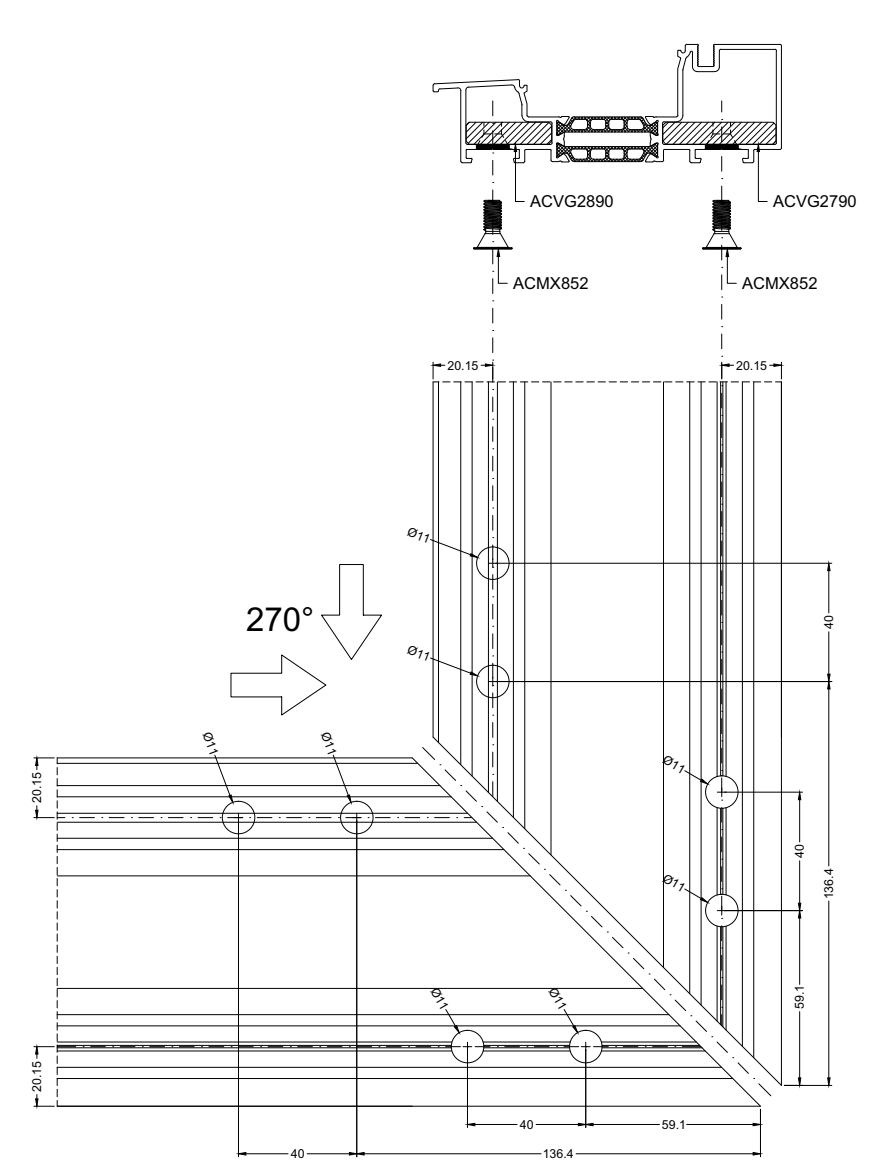
VG618



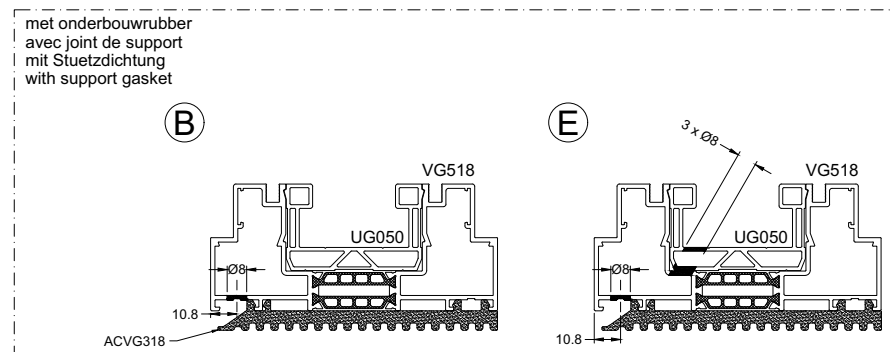
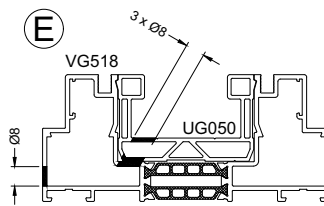
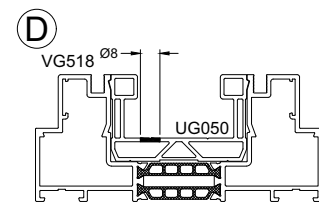
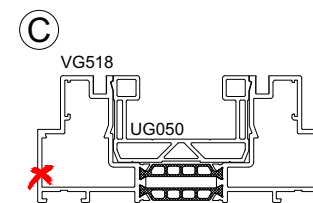
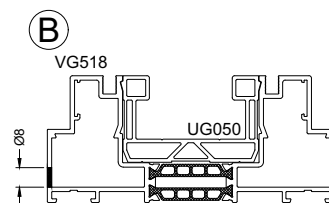
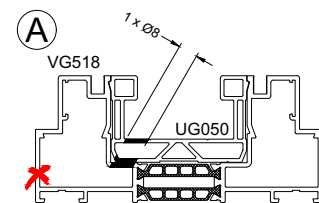
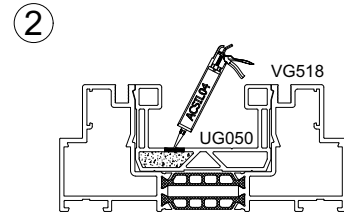
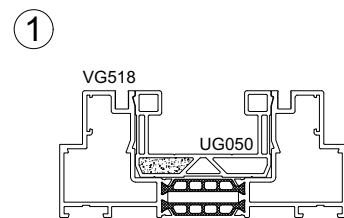
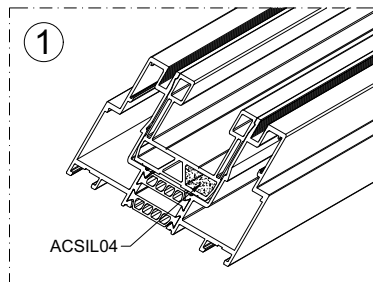
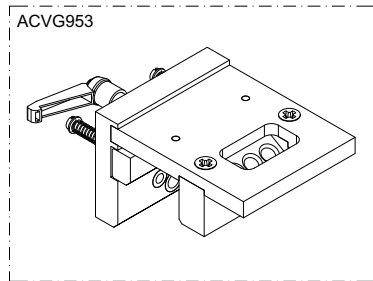
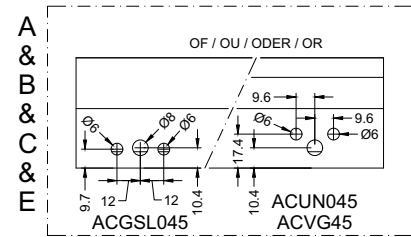
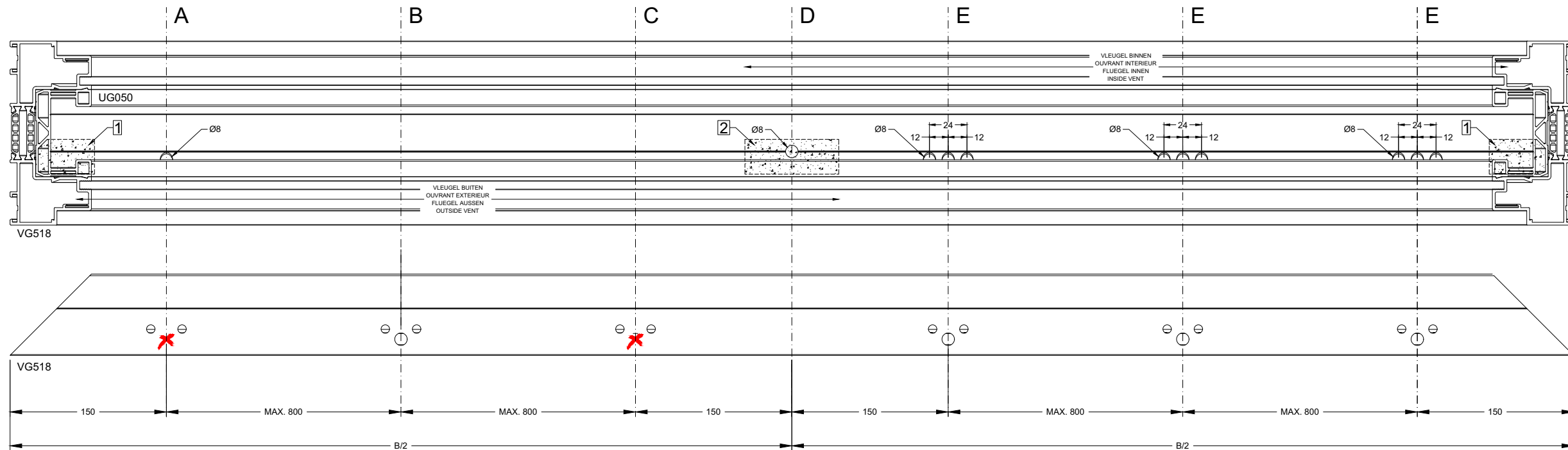
VG619



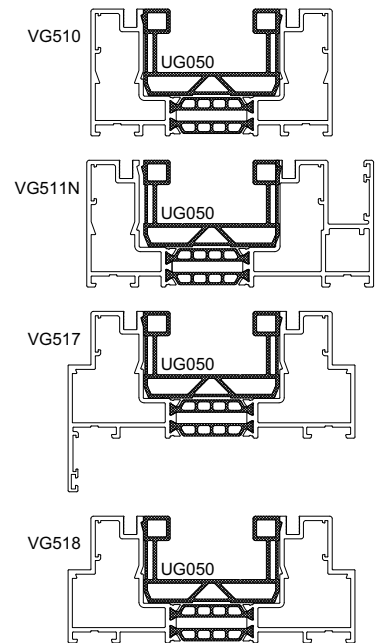
VG516



ONTWATERING
DRAINAGE
ENTWAESSERUNG
DRAINAGE

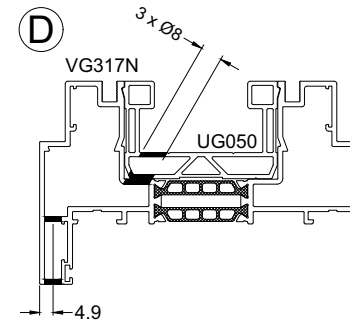
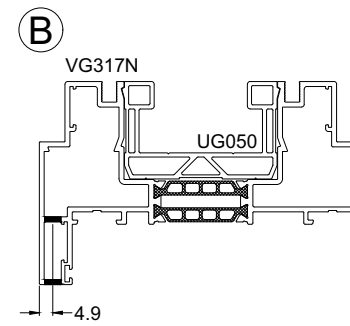
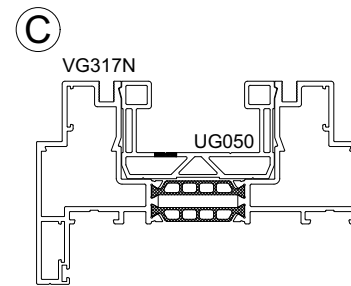
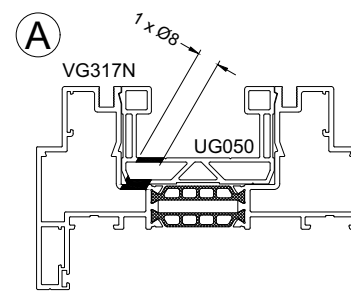
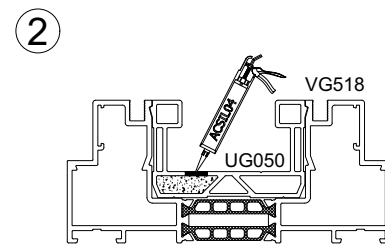
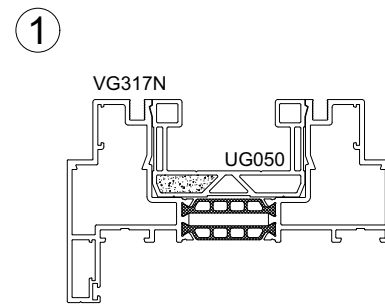
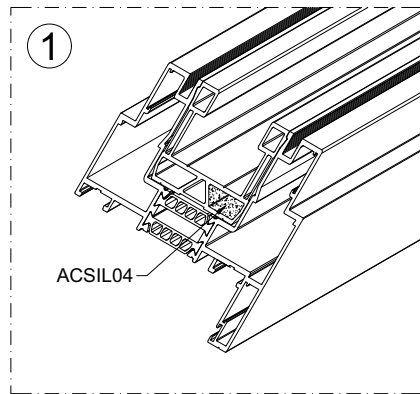
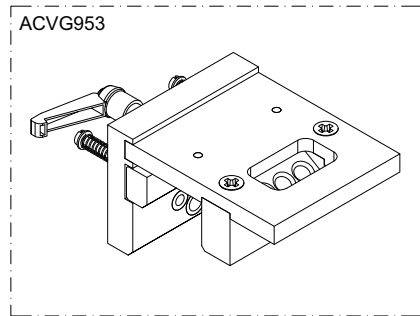
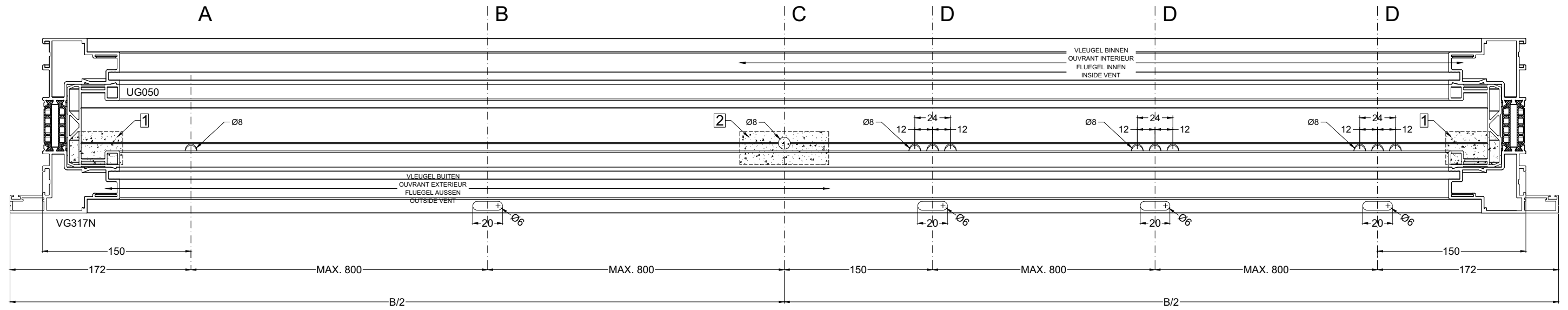


TOEPASSEN OP
APPLIQUER
ANWENDEN
APPLY ON

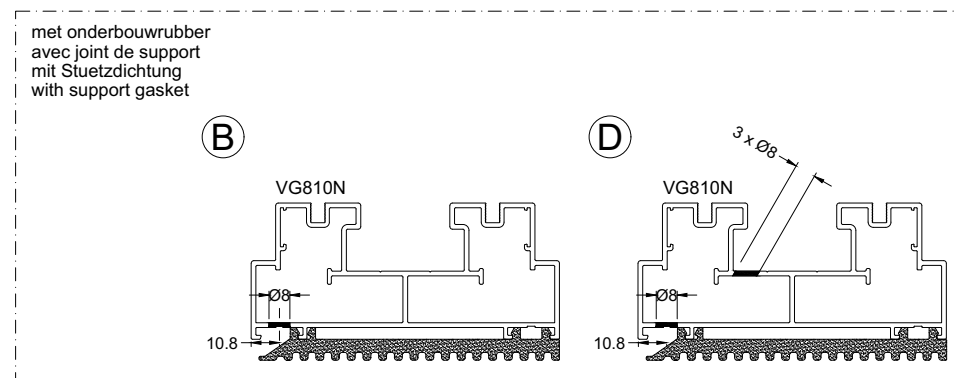
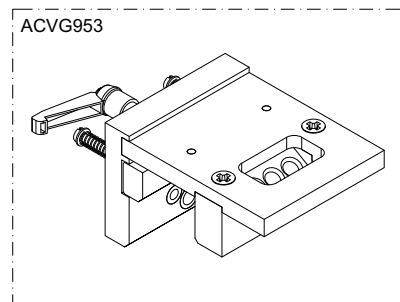
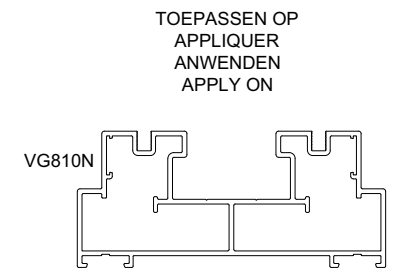
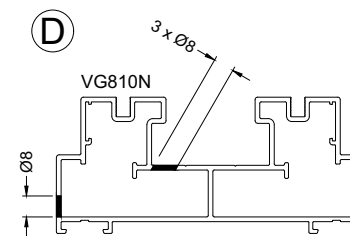
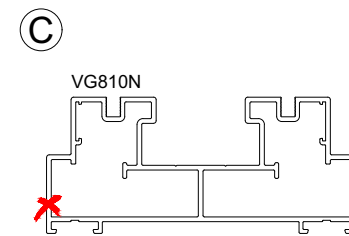
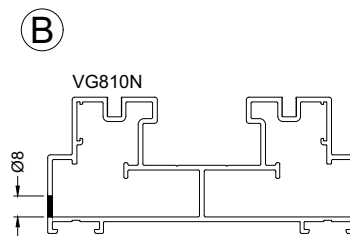
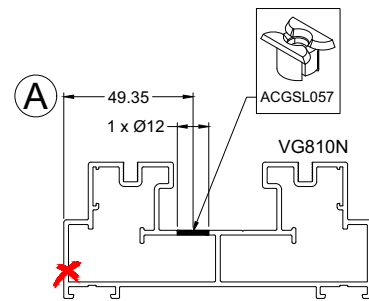
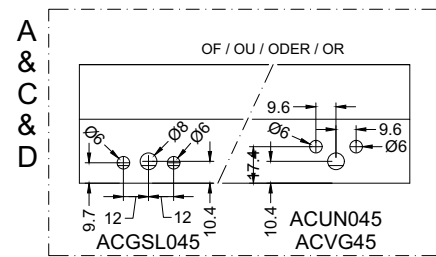
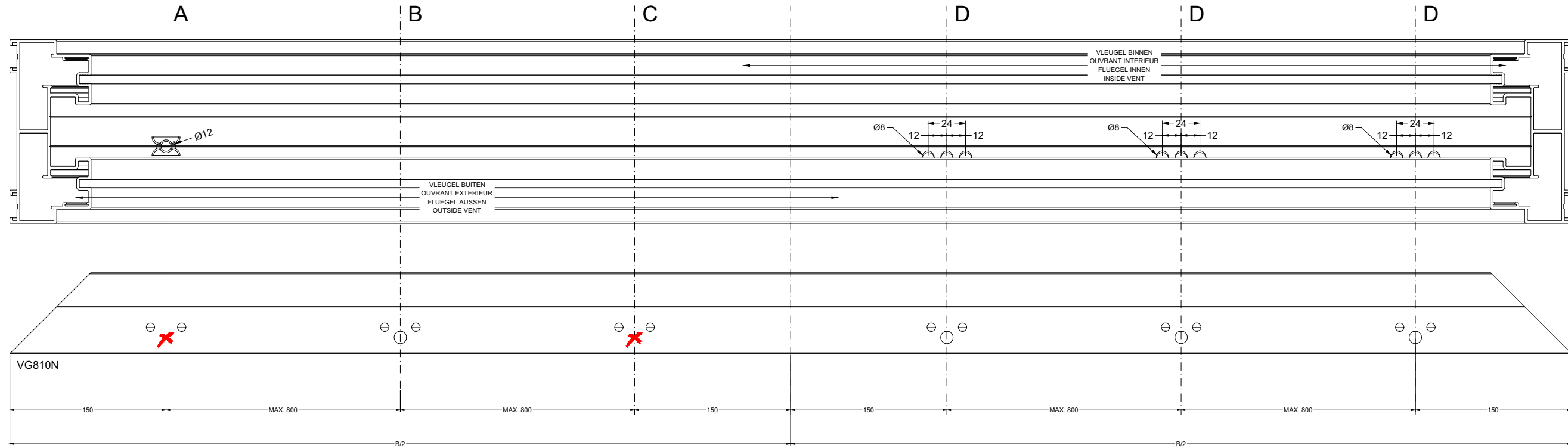


VG500

ONTWATERING
DRAINAGE
ENTWAESSERUNG
DRAINAGE

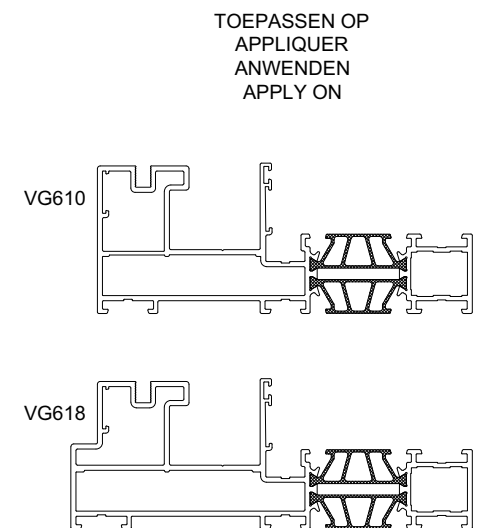
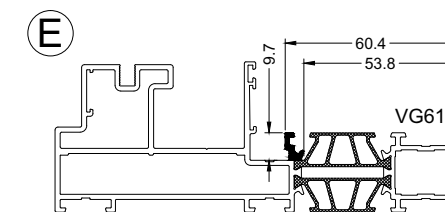
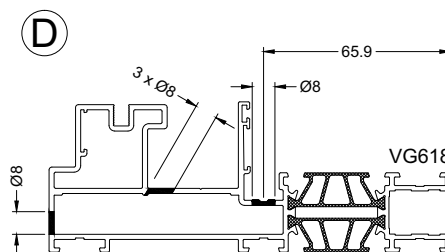
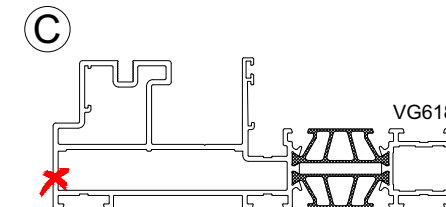
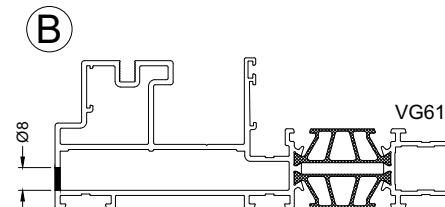
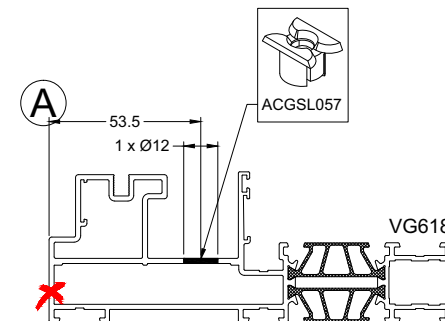
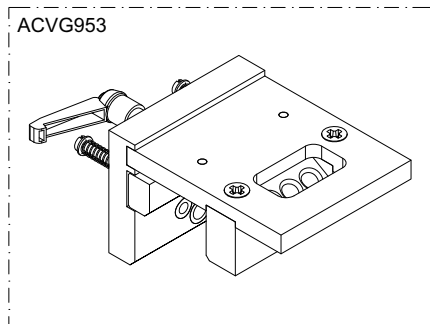
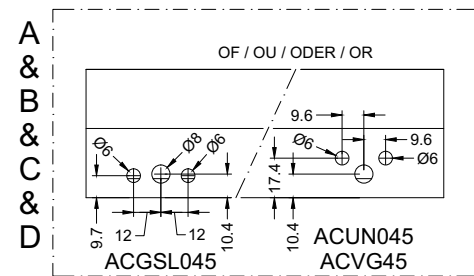
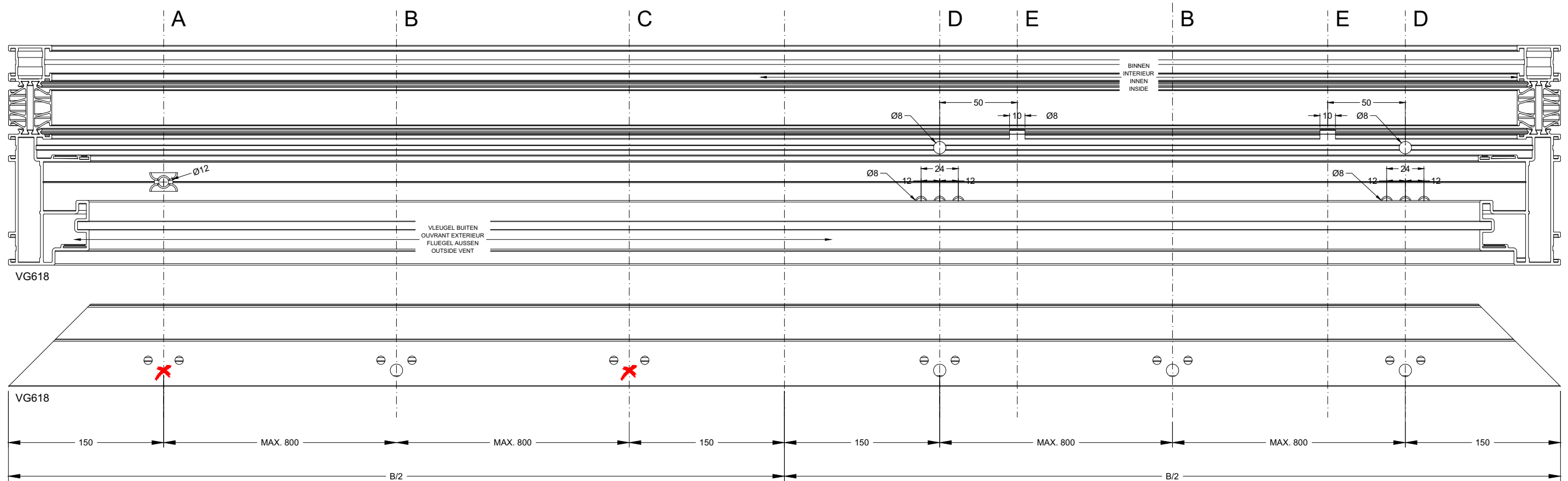


ONTWATERING
DRAINAGE
ENTWAESSERUNG
DRAINAGE



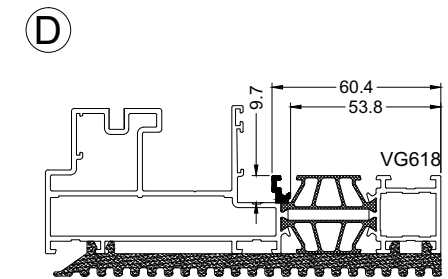
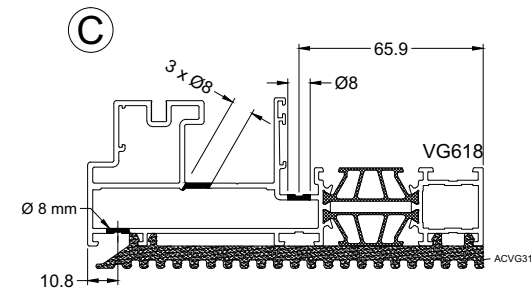
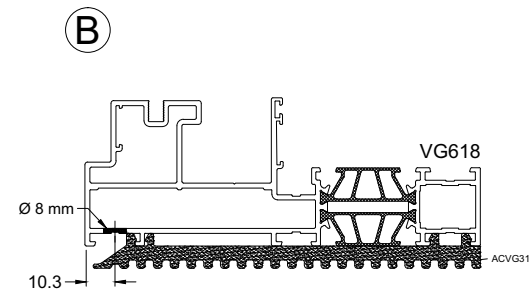
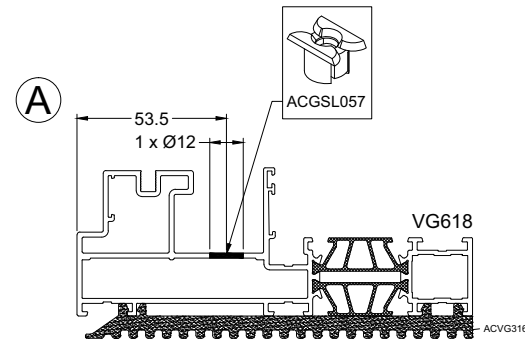
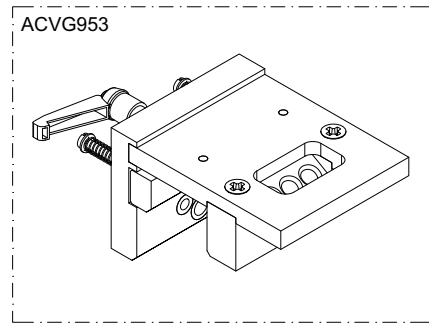
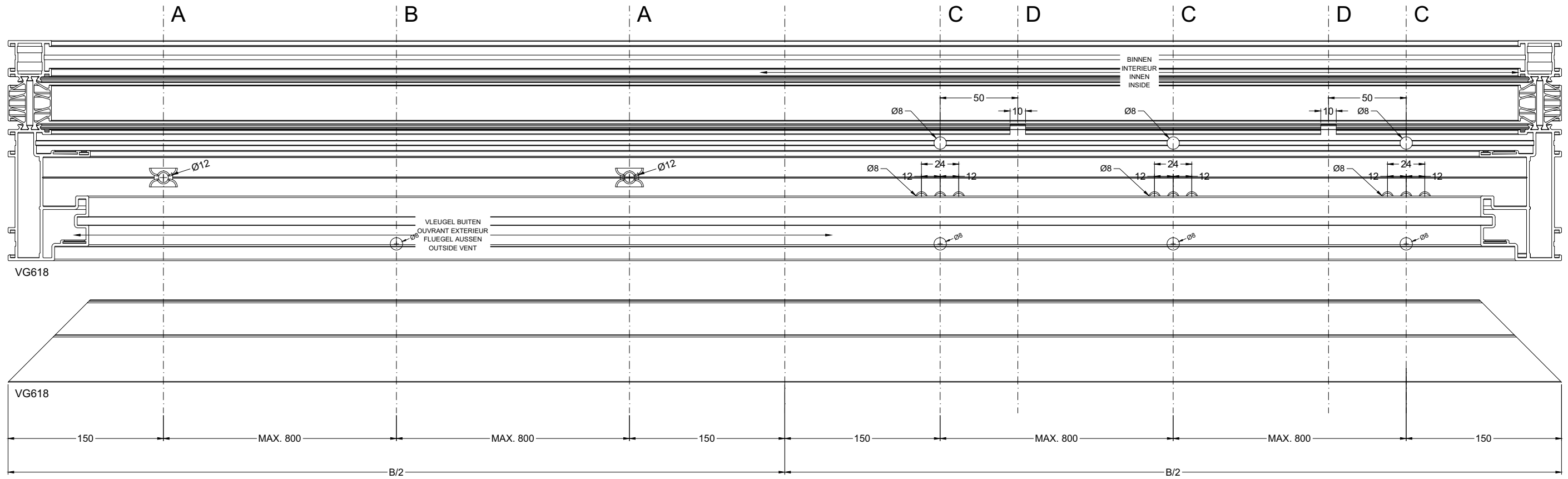
VG500

ONTWATERING
DRAINAGE
ENTWAESSERUNG
DRAINAGE



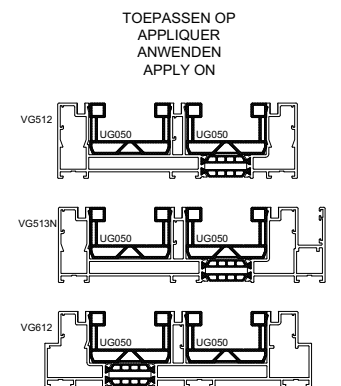
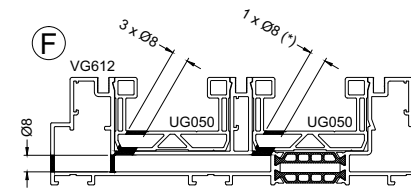
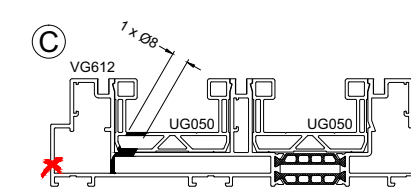
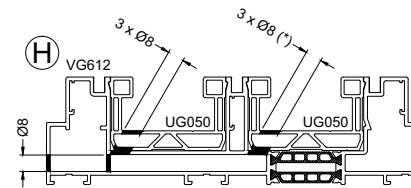
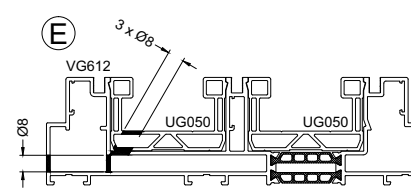
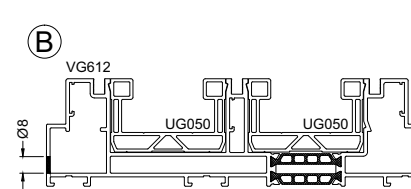
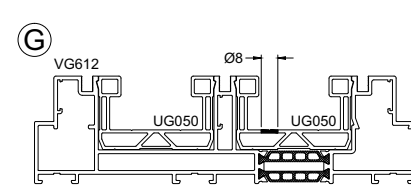
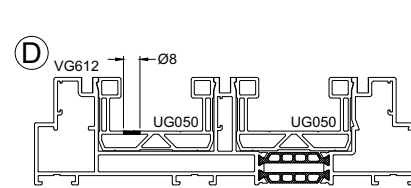
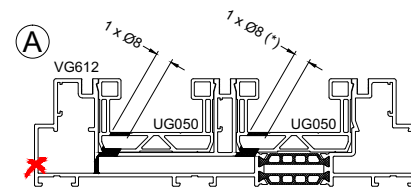
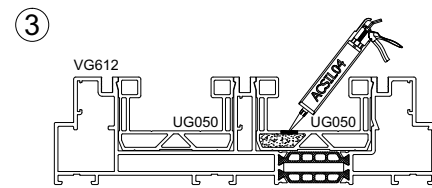
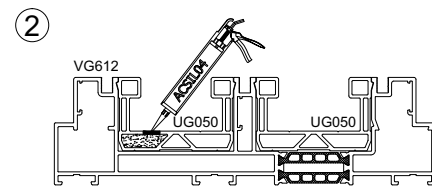
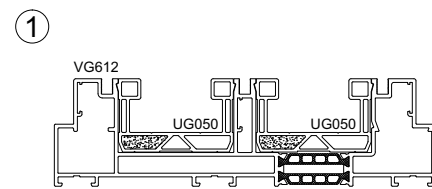
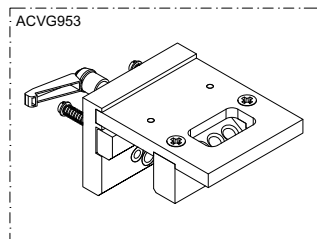
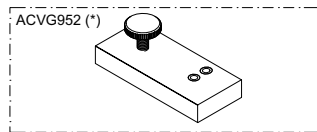
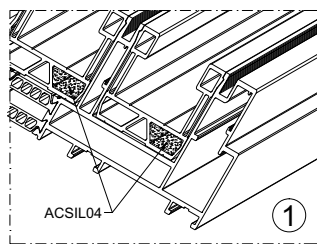
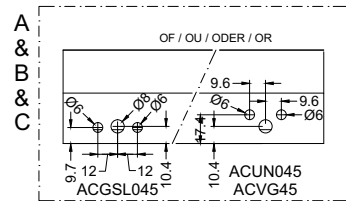
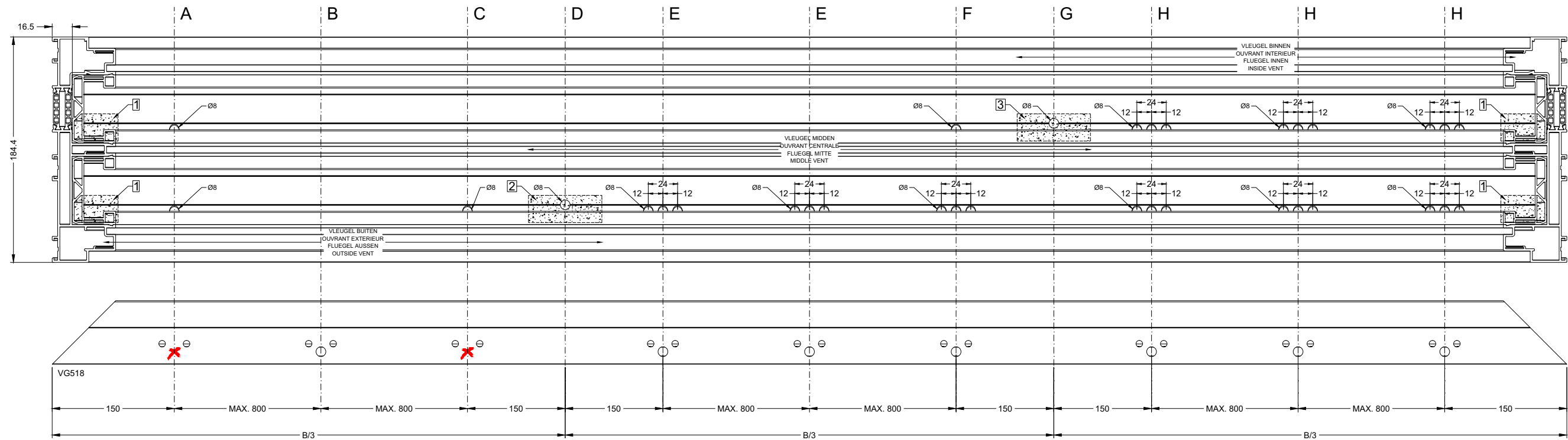
DRAINAGE_MONO-RAIL

ONTWATERING VG618 + ACVG316
 DRAINAGE VG618 + ACVG316
 ENTWAESSERUNG VG618 + ACVG316
 DRAINAGE VG618 + ACVG316

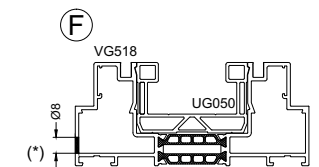
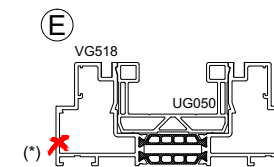
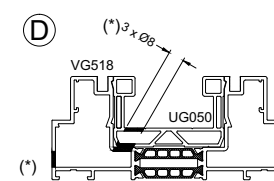
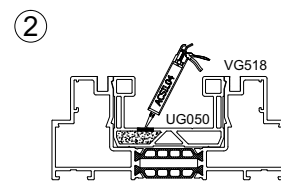
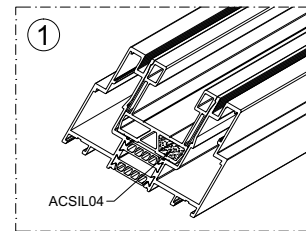
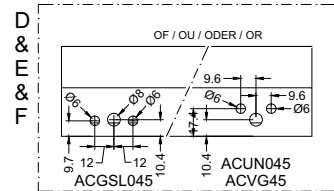
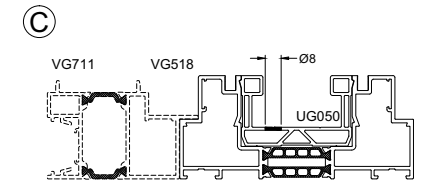
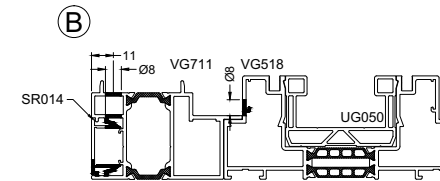
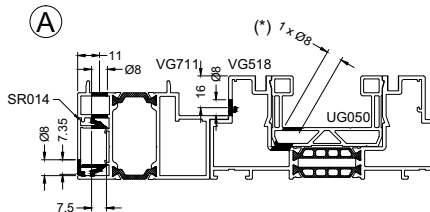
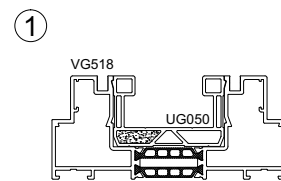
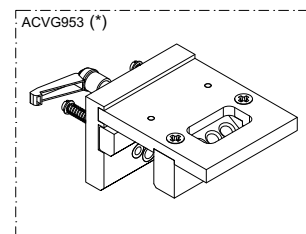
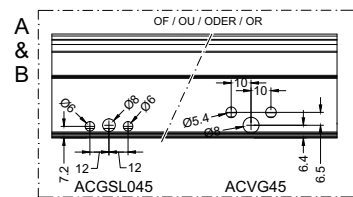
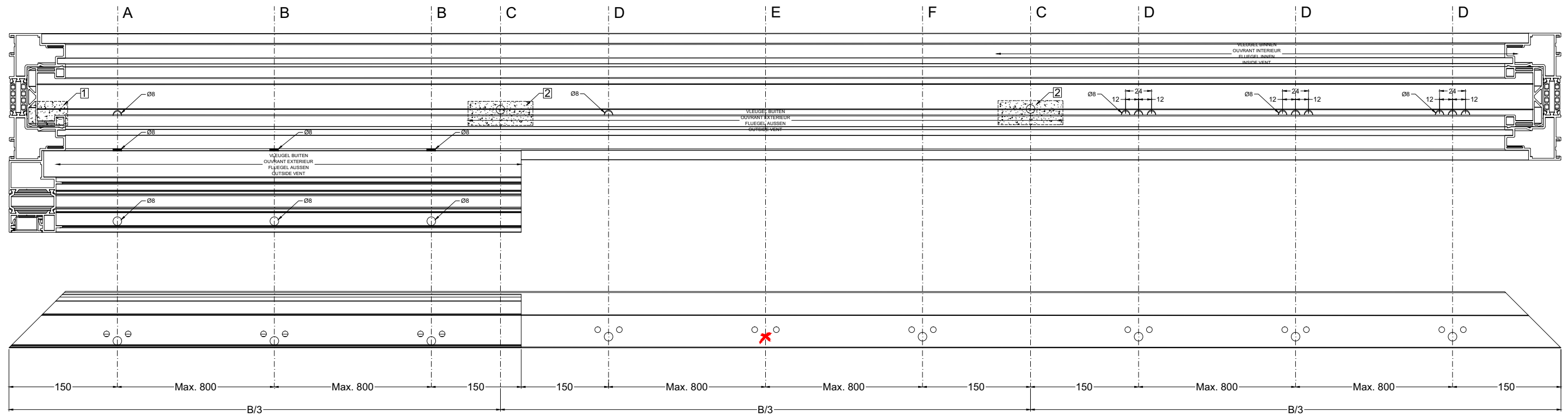


VG500

ONTWATERING
DRAINAGE
ENTWAESSERUNG
DRAINAGE



ONTWATERING
DRAINAGE
ENTWÄSSERUNG
DRAINAGE



DRAINAGE_VOORZETVLEUGEL

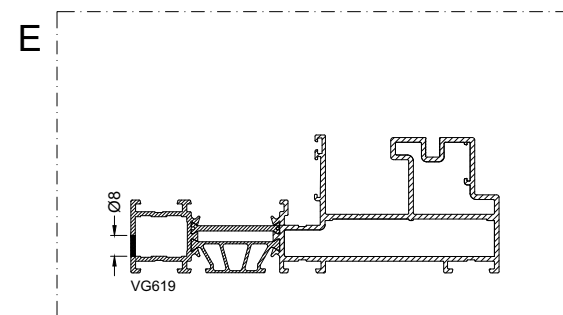
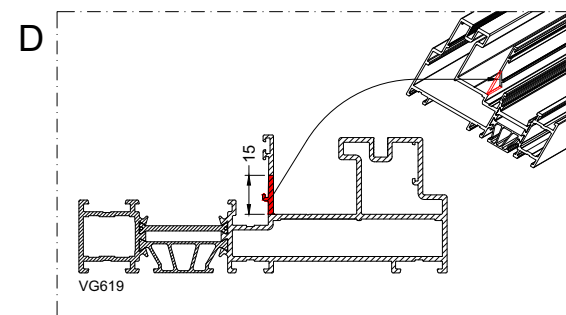
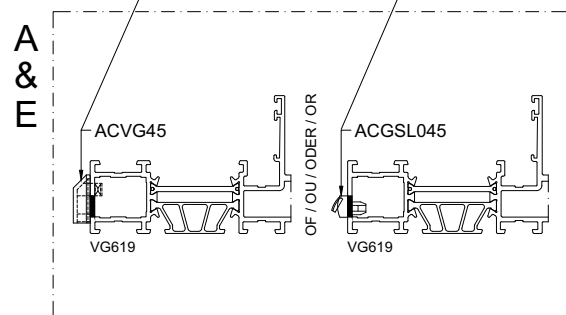
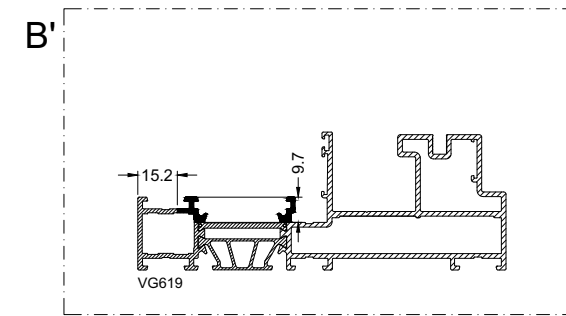
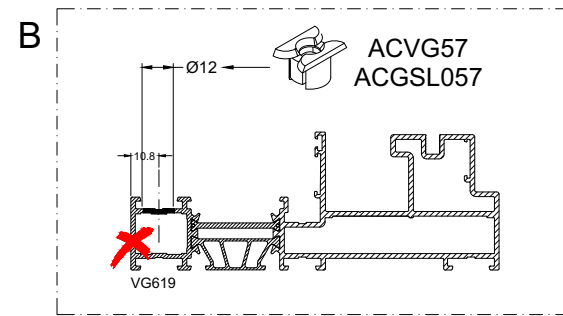
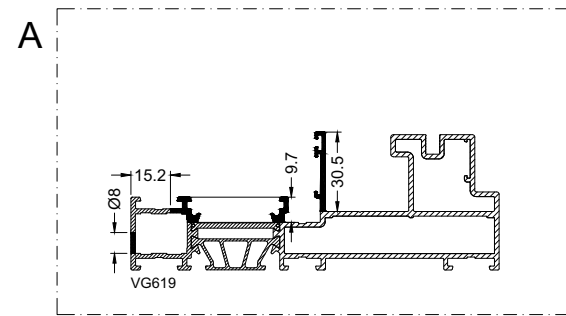
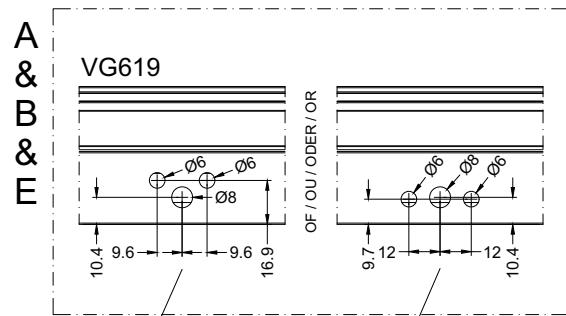
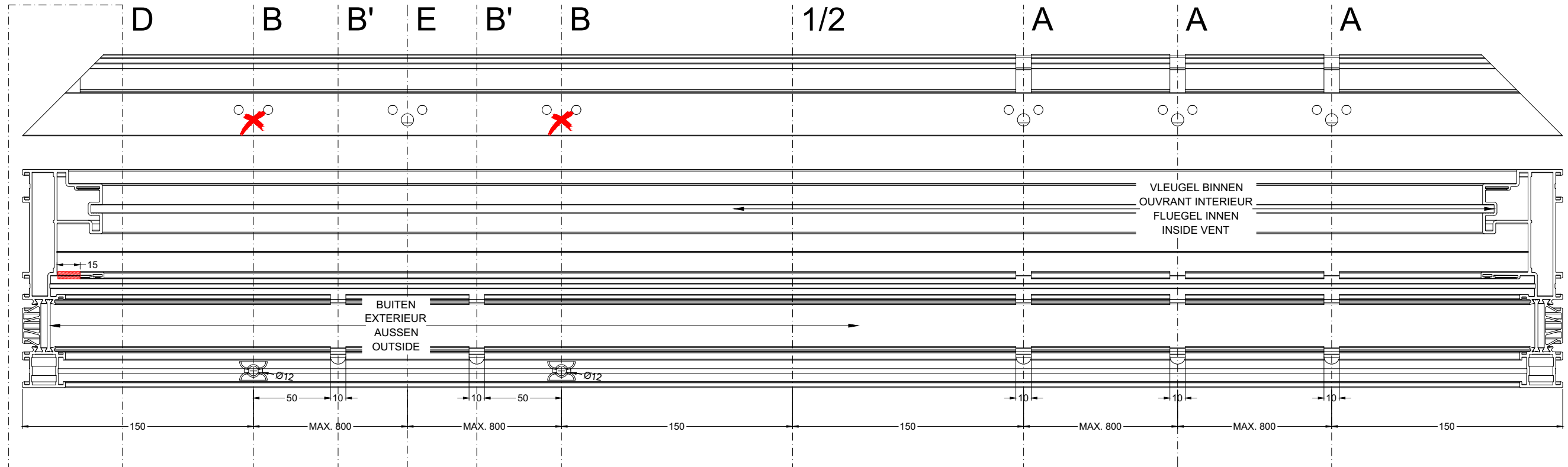
aliplast
member of



WERKTEKENINGEN - DESSINS DE CONSTRUCTION - KONSTRUKTIONZEICHNUNGEN - CONSTRUCTION DRAWINGS

VG500

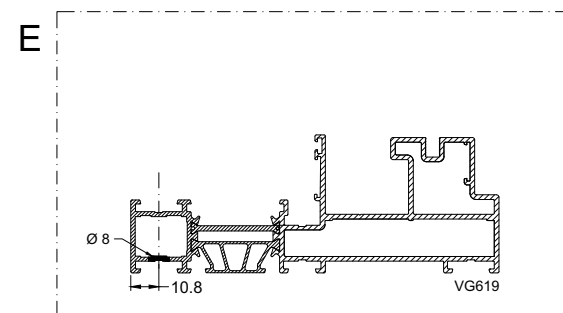
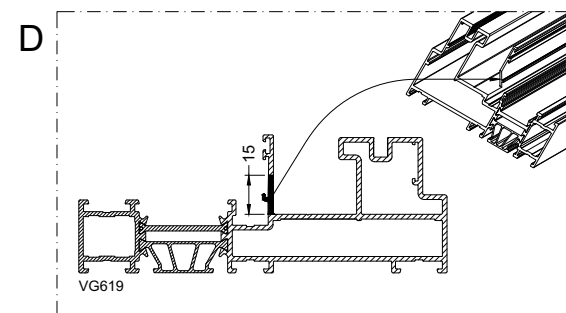
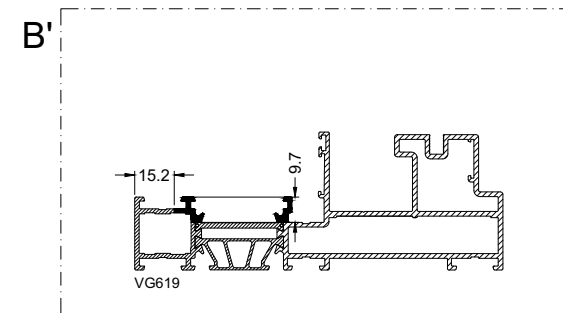
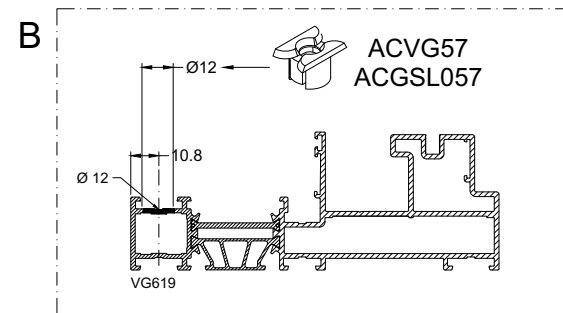
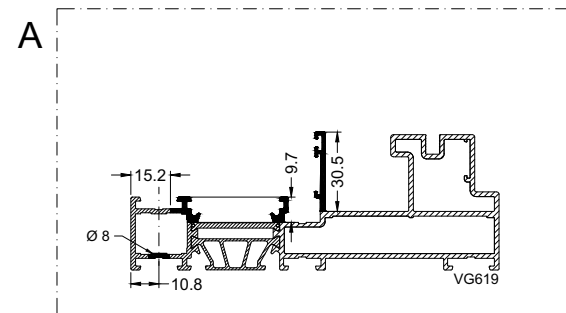
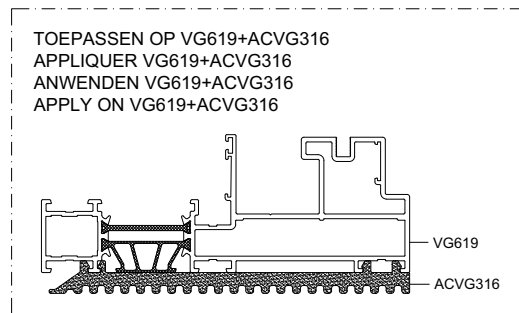
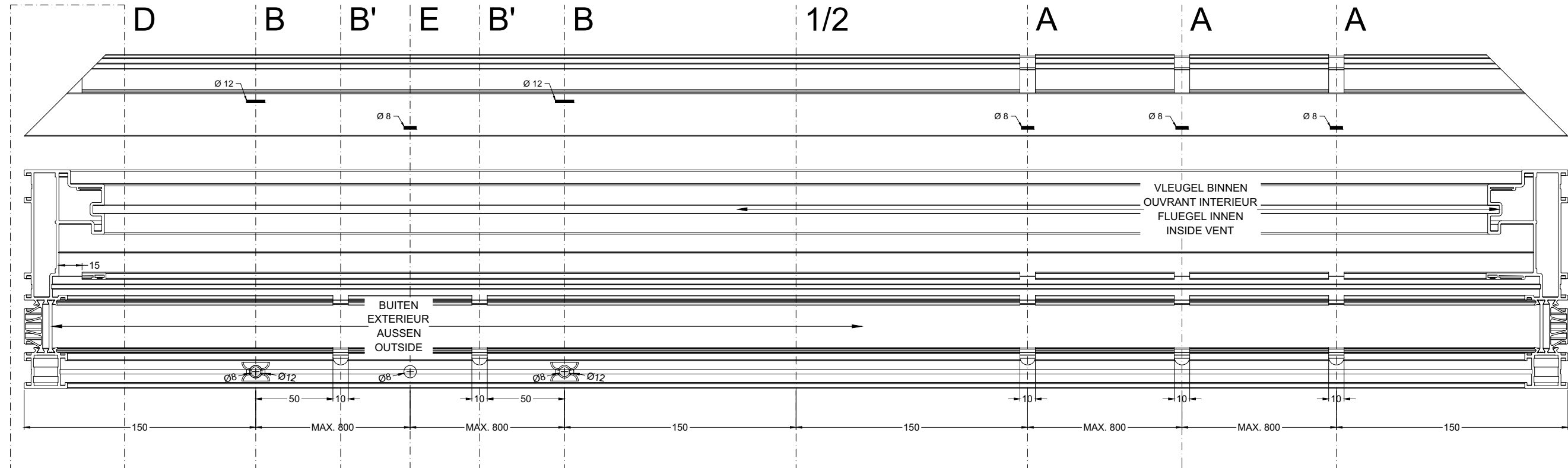
ONTWATERING
DRAINAGE
ENTWAESSERUNG
DRAINAGE



DRAINAGE_VG619



ONTWATERING VG619 + ACVG316
 DRAINAGE VG619 + ACVG316
 ENTWAESSERUNG VG619 + ACVG316
 DRAINAGE VG619 + ACVG316

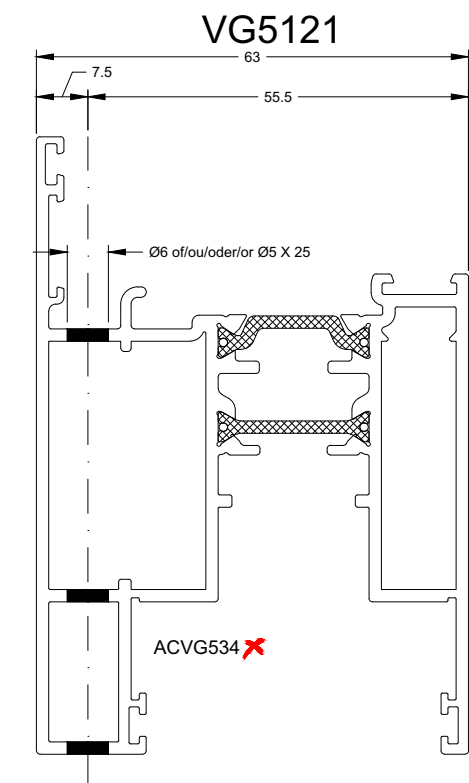
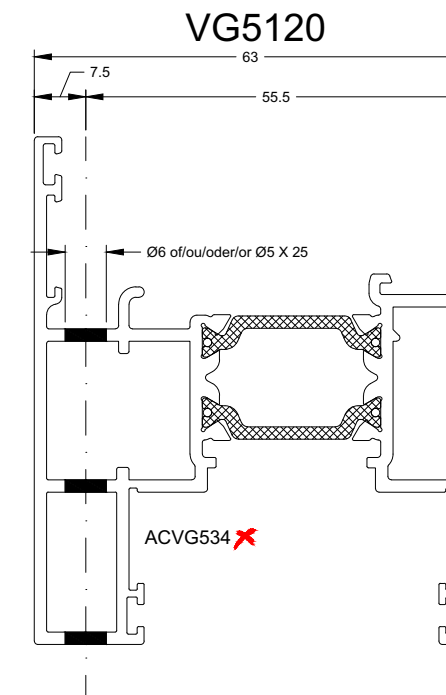
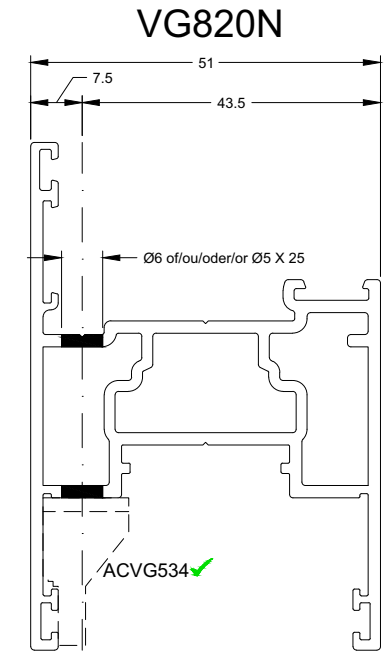
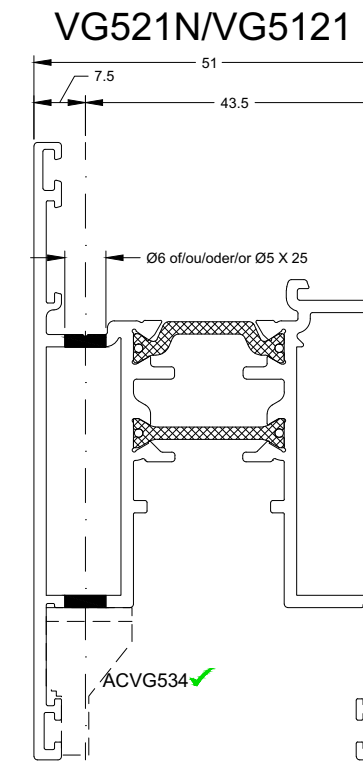
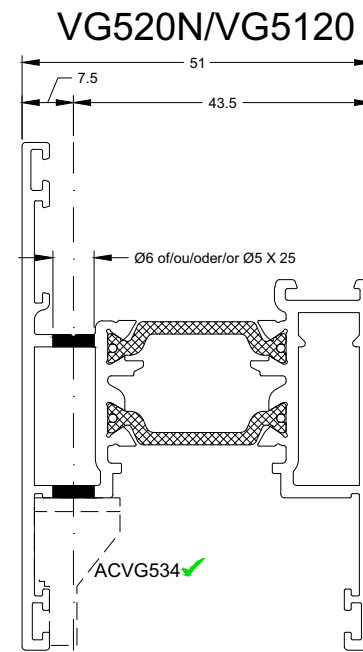
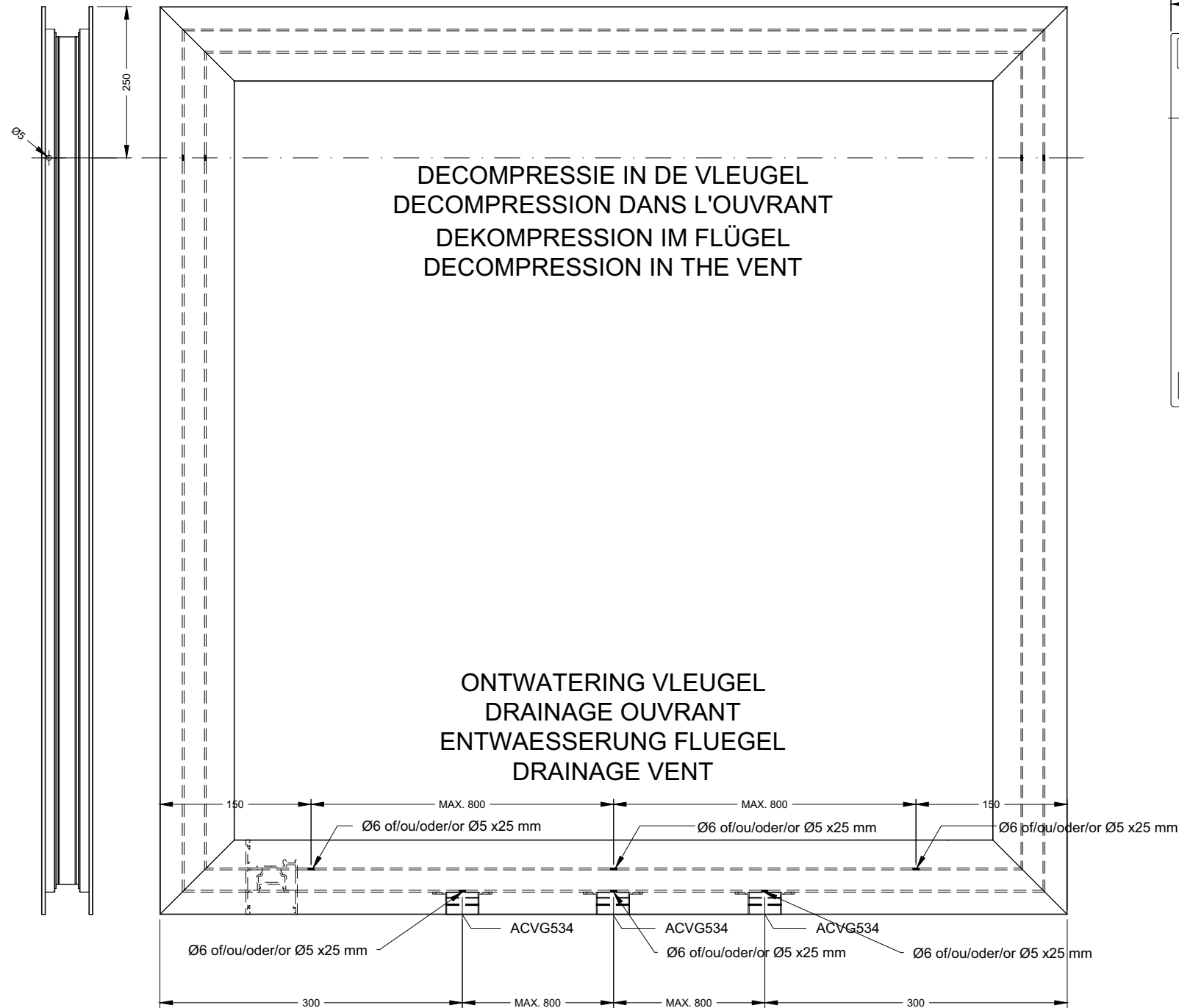


DRAINAGE_VG619_ACVG316

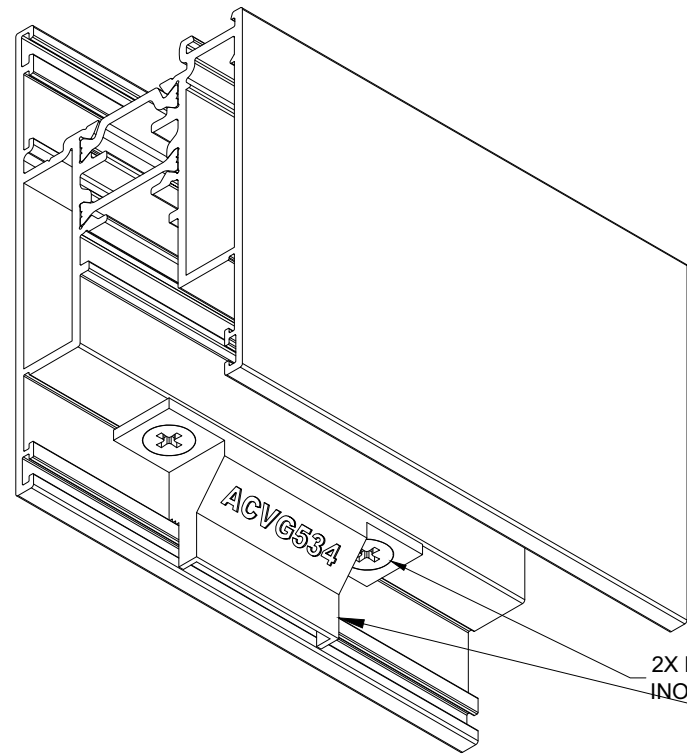


VG500

ONTWATERING & DECOMPRESSIE VLEUGEL
 DRAINAGE & DECOMPRESSION OUVRANT
 ENTWAESSERUNG & DEKOMPRESSIION FLUEGEL
 DRAINAGE & DECOMPRESSION VENT



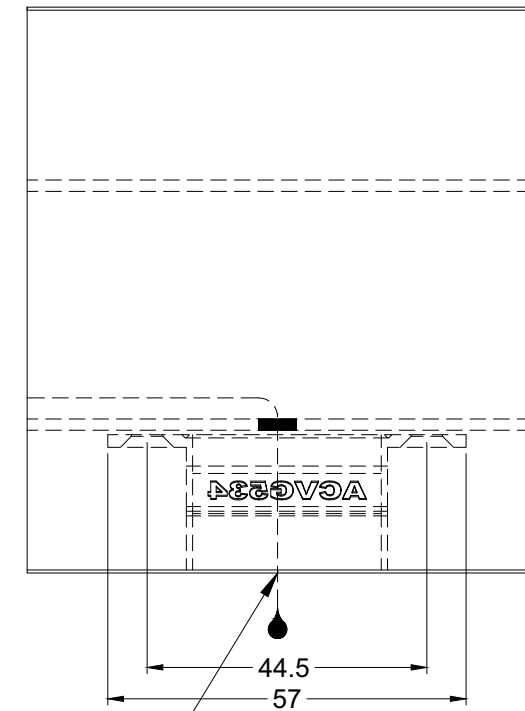
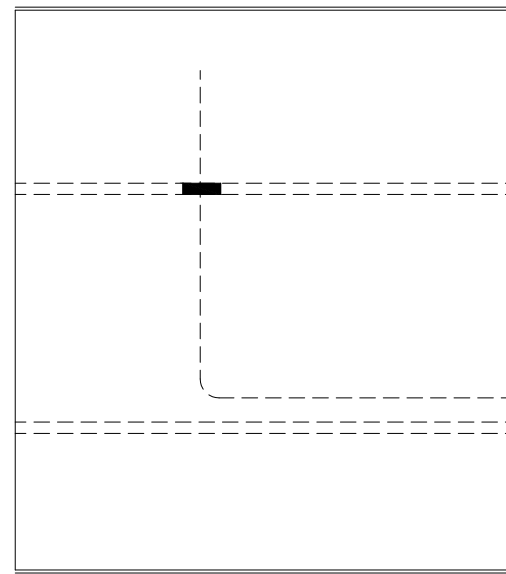
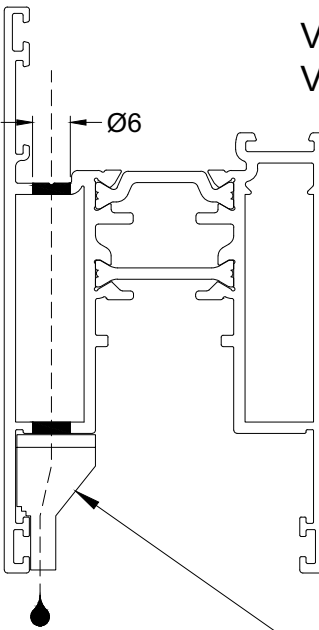
MONTAGE ACVG534
MONTAGE ACVG534
MONTAGE ACVG534
MONTAGE ACVG534



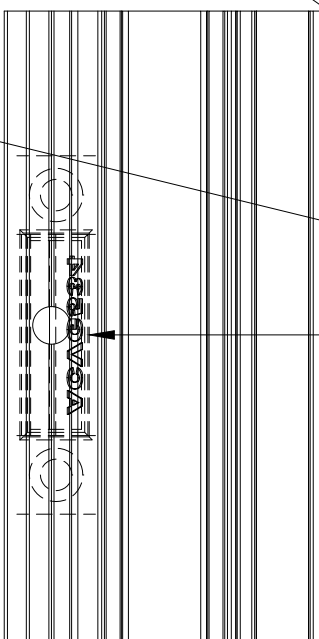
2X DIN7982 3.5 X 13
INOX A2

VG520N
VG521N

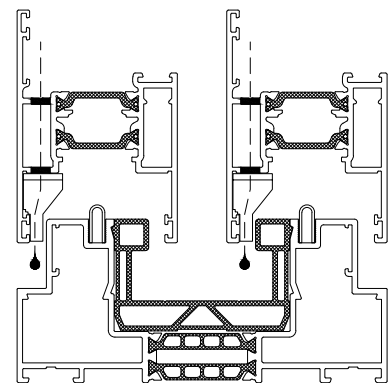
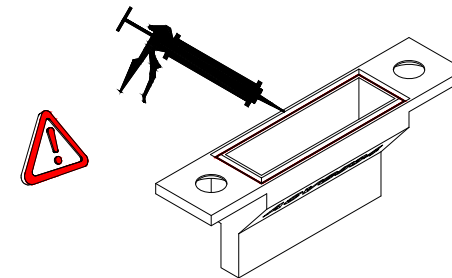
VG520N
VG521N



VG520N
VG521N

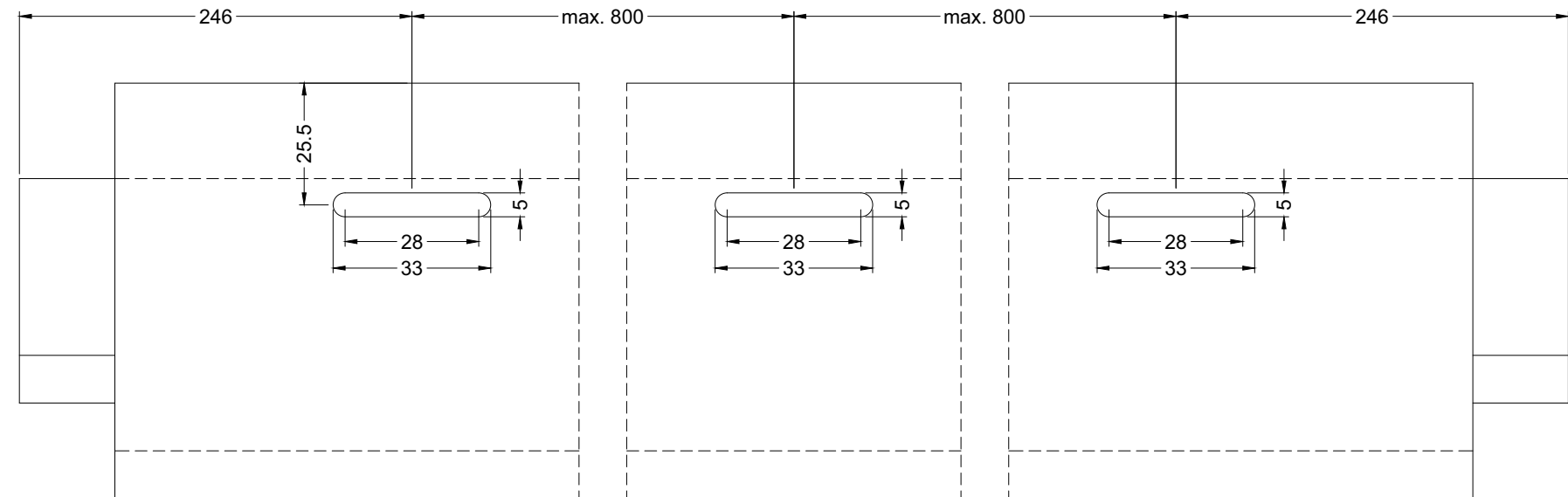
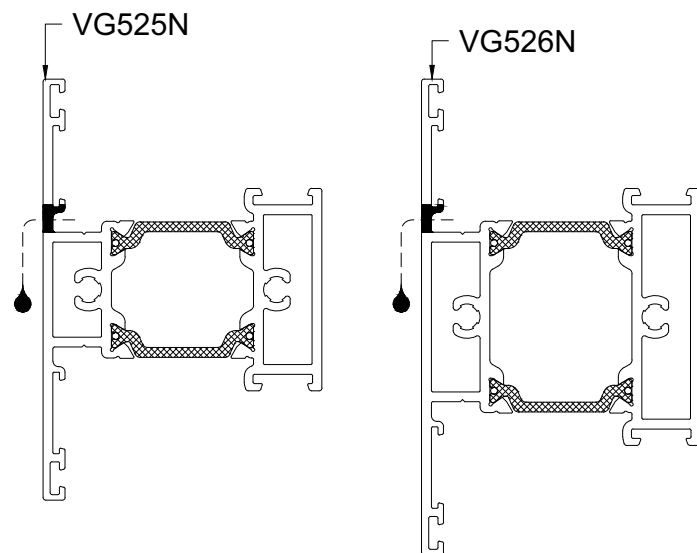
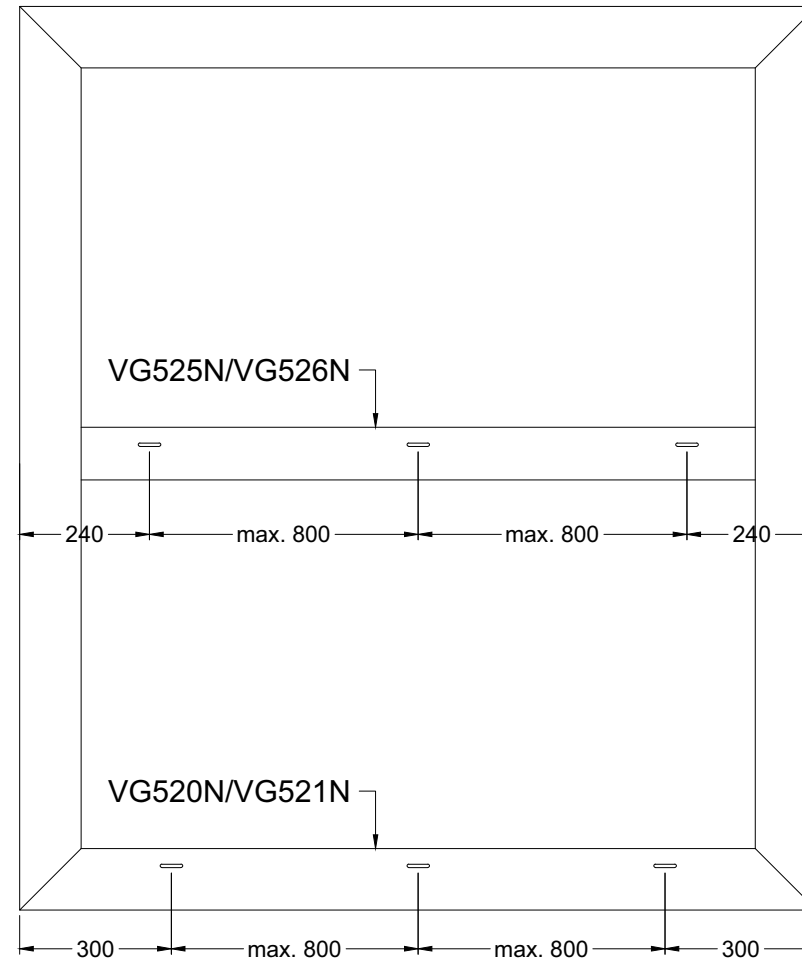
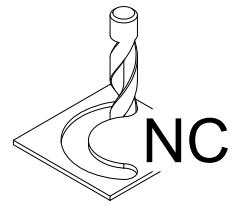
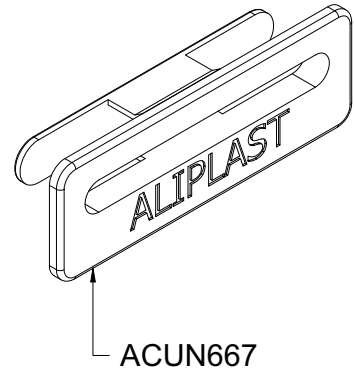


ACVG534



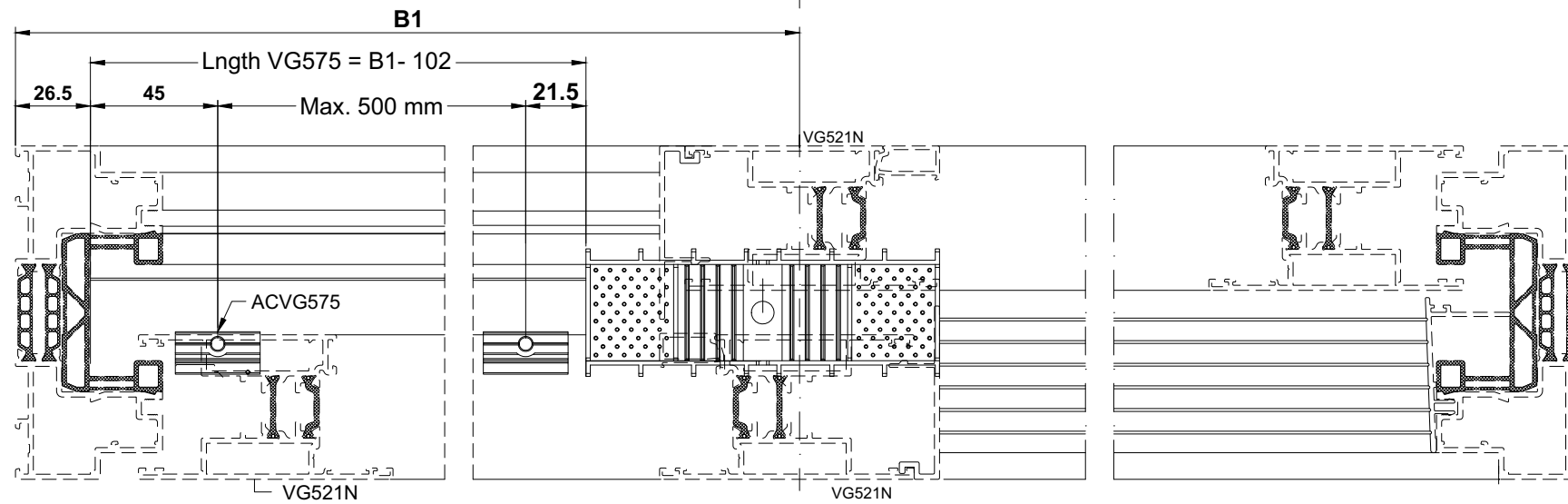
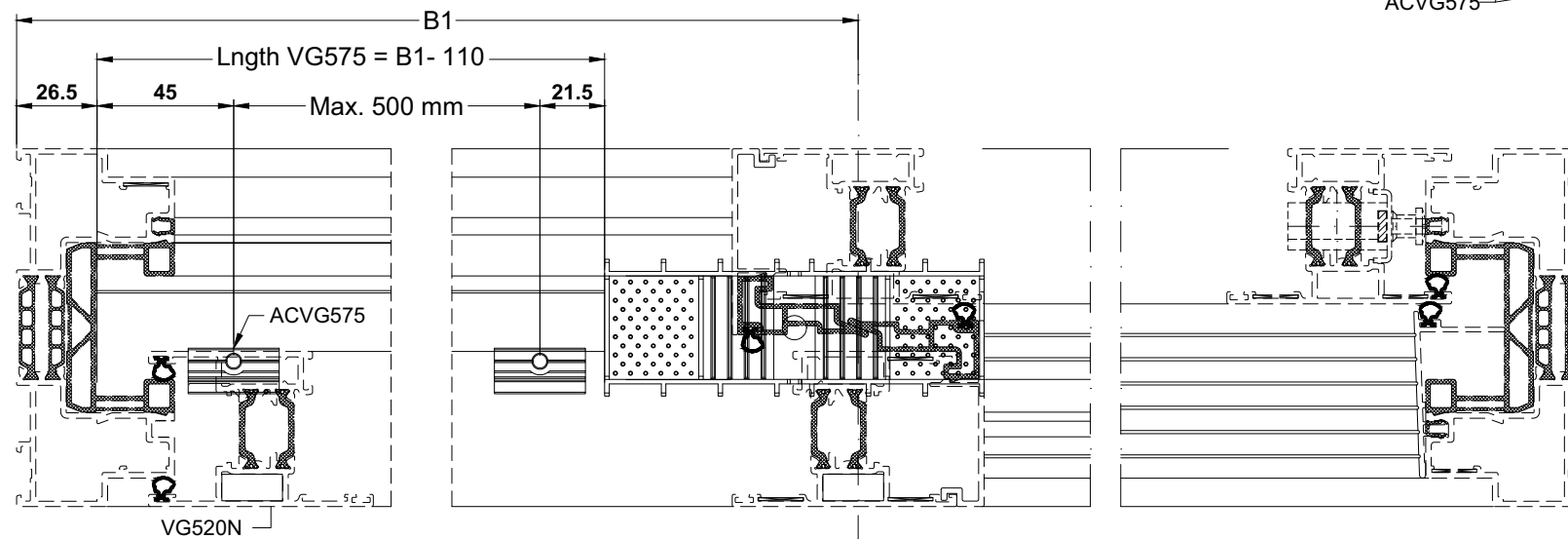
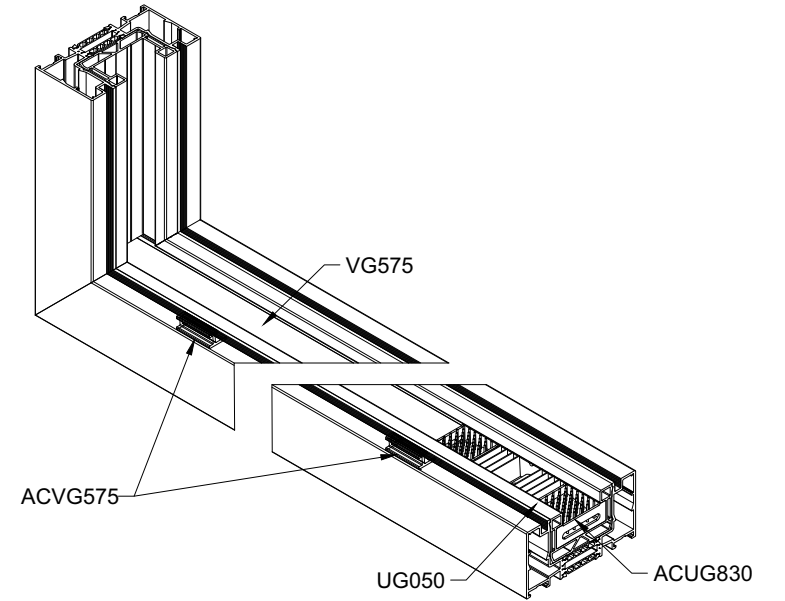
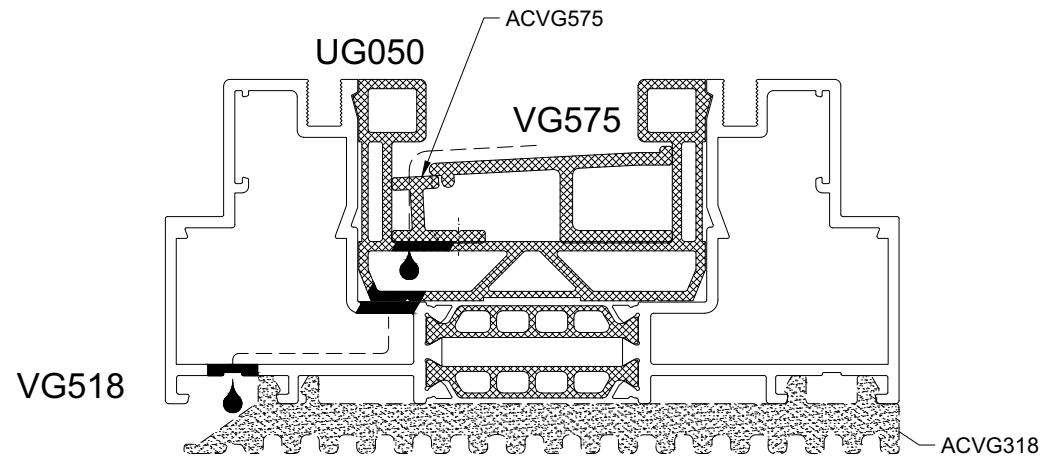
VG500

ONTWATERING MET ACUN667
DRAINAGE AVEC
ANTWASSERUNG MIT ACUN667
DRAINAGE WITH ACUN667



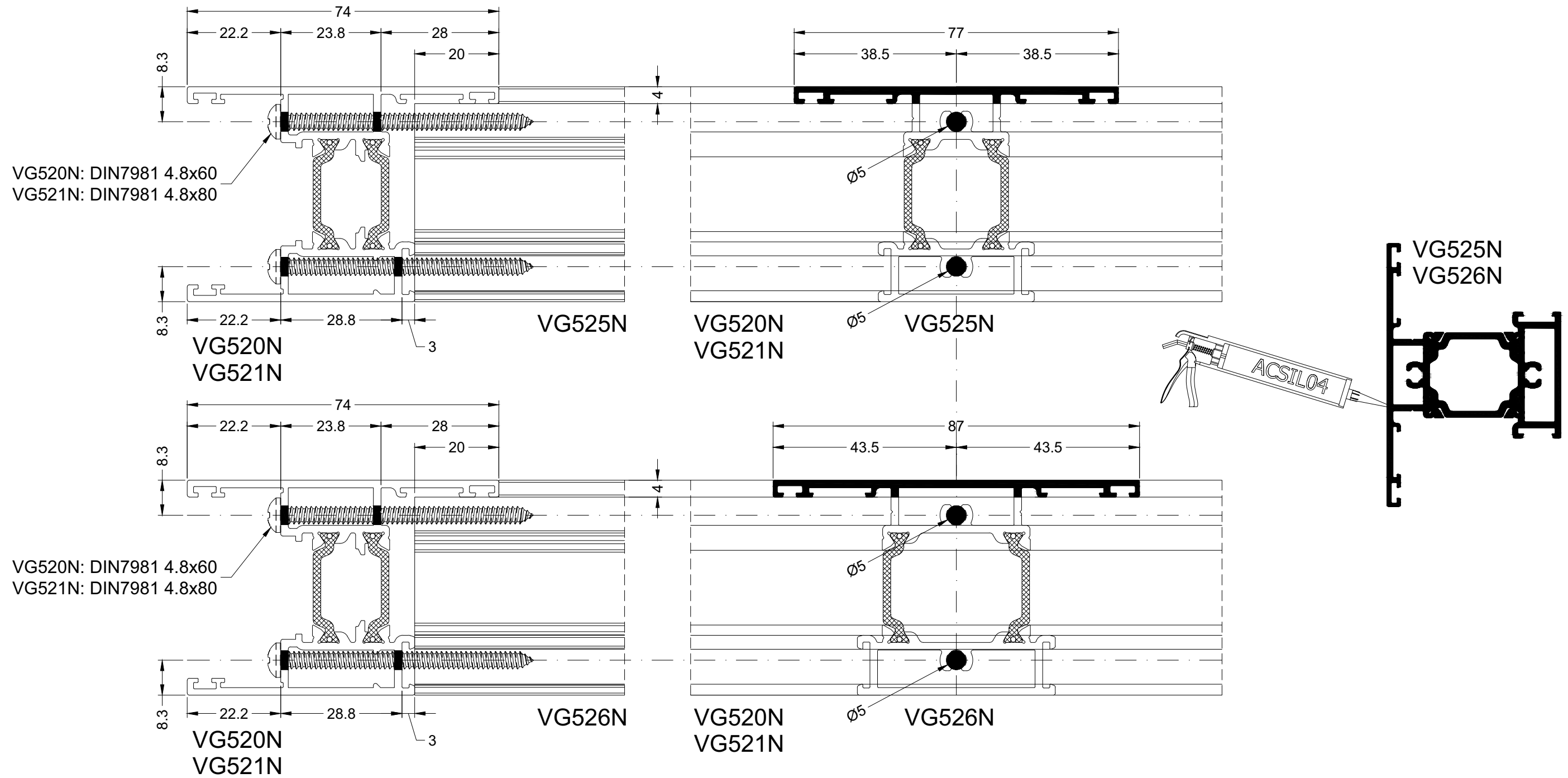
ACUN667

VG575 - ACVG575
 VG575 - ACVG575
 VG575 - ACVG575
 VG575 - ACVG575



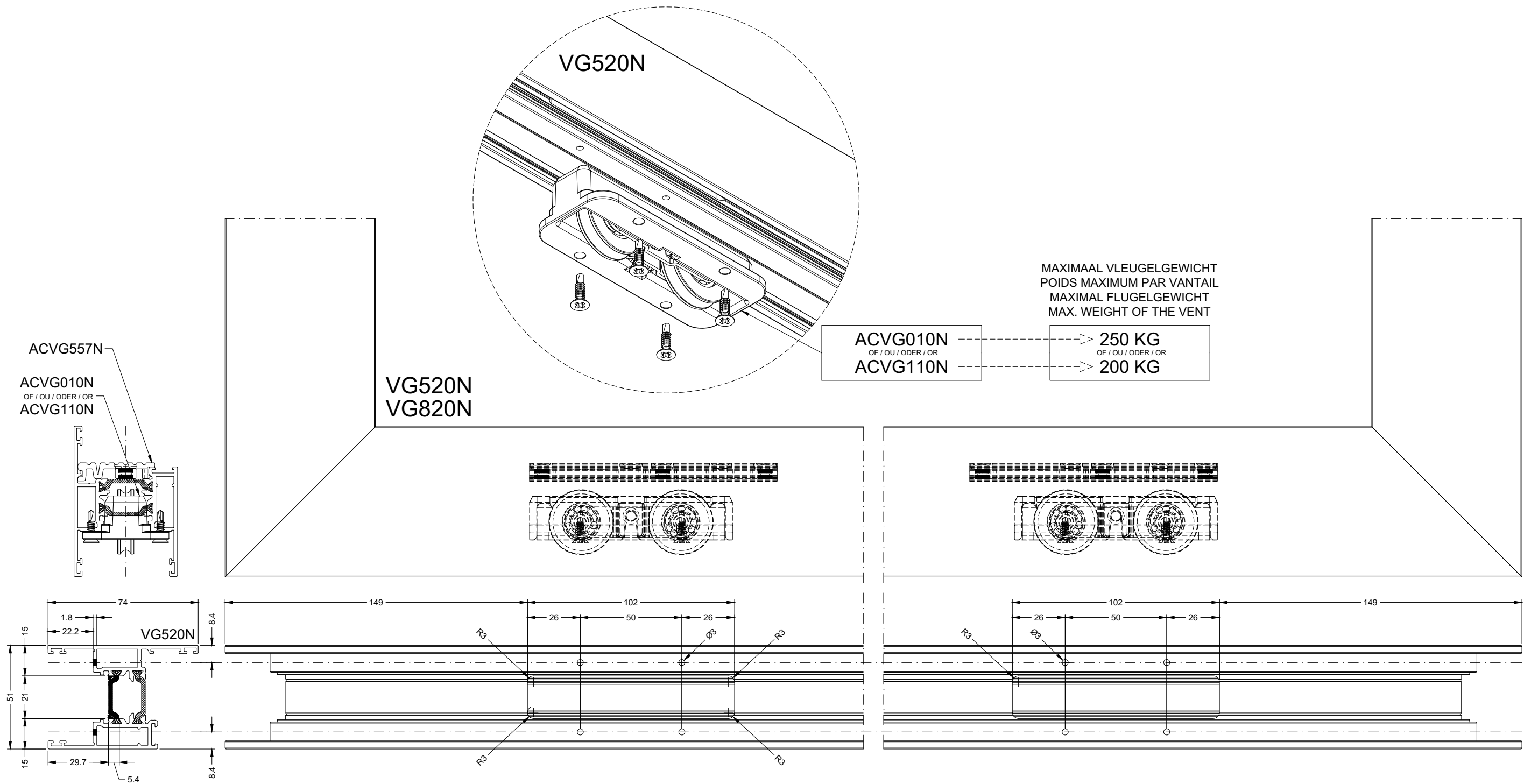
VG500

T-VERBINDER MET SCHROEF
 JONCTION-T AVEC VIS
 T-VERBINDER MIT SCHRAUBE
 T-BRACKET WITH SCREW



VG525N-VG526

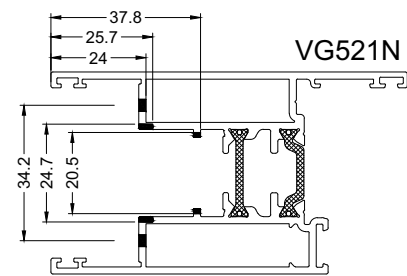
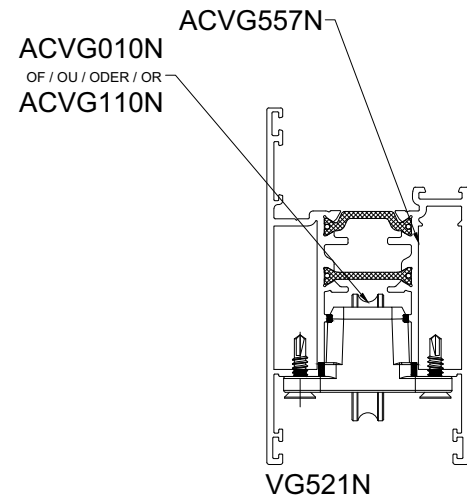
MONTAGE ACVG010N - ACVG110N
 ASSEMBLAGE ACVG010N - ACVG110N
 MONTAGE ACVG010N - ACVG110N
 ASSEMBLY ACVG010N - ACVG110N



ASSEMBLY_ACVG010N(110N)

VG500

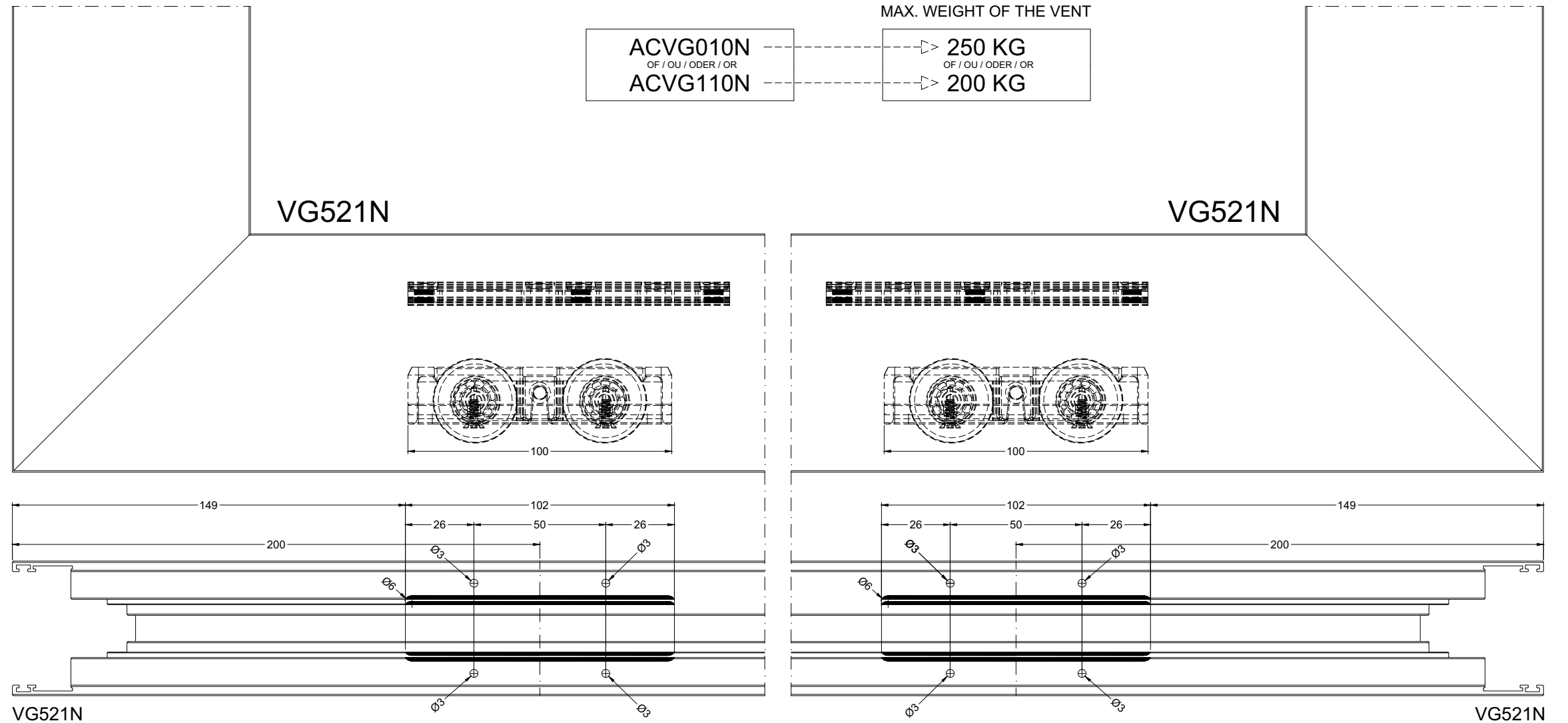
MONTAGE ACVG010N - ACVG110N (VG521)
 ASSEMBLAGE ACVG010N - ACVG110N (VG521)
 MONTAGE ACVG010N - ACVG110N (VG521)
 ASSEMBLY ACVG010N - ACVG110N (VG521)



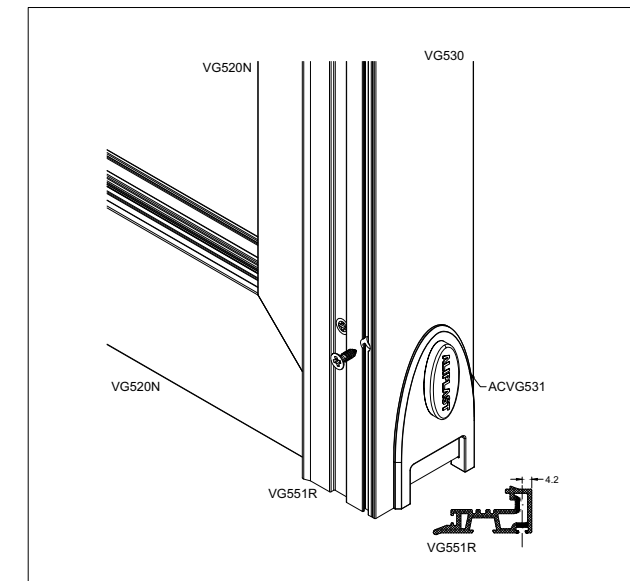
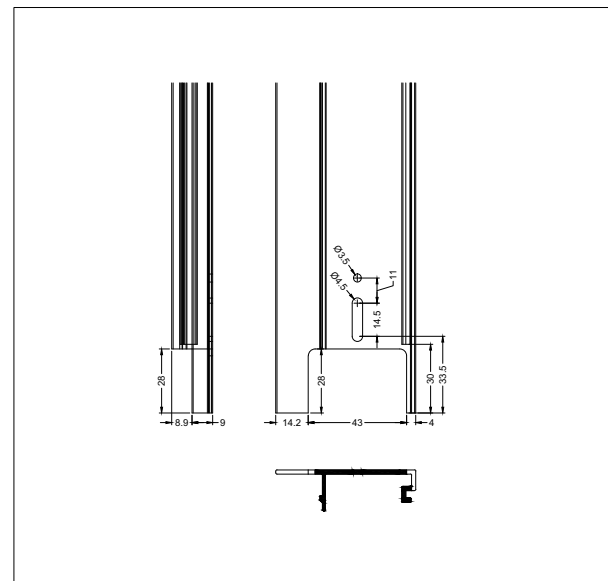
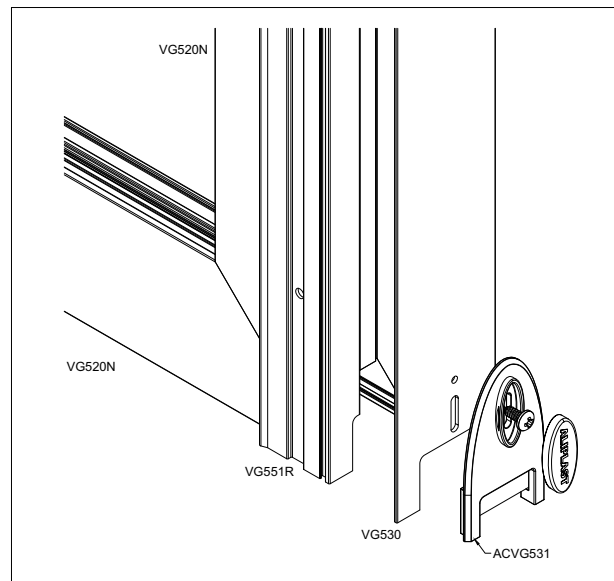
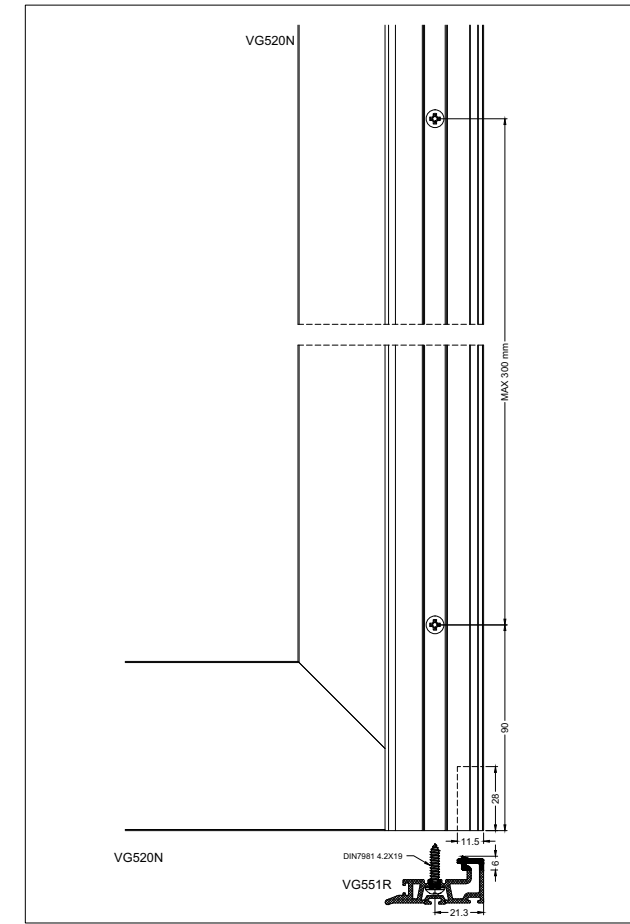
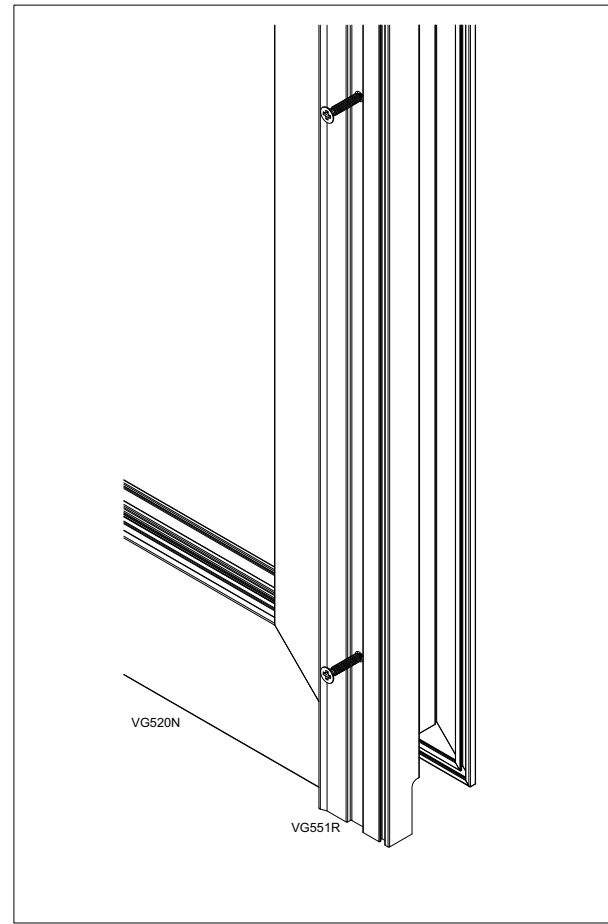
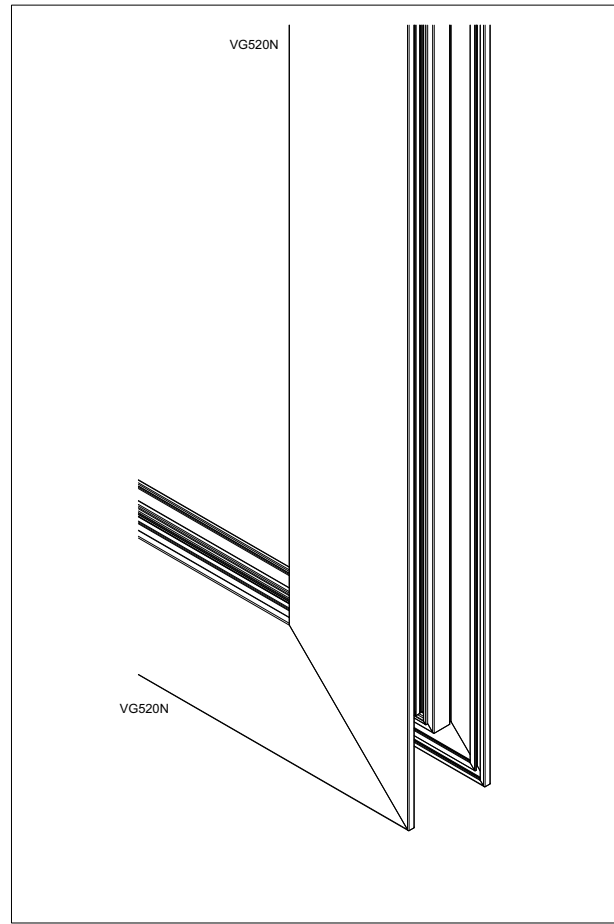
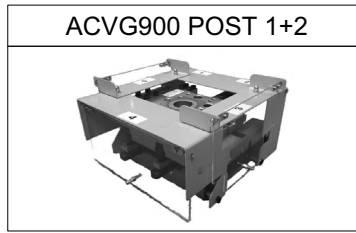
MAXIMAAL VLEUGELGEWICHT
 POIDS MAXIMUM PAR VANTAIL
 MAXIMAL FLUGELGEWICHT
 MAX. WEIGHT OF THE VENT

ACVG010N
OF / OU / ODER / OR
ACVG110N

250 KG
OF / OU / ODER / OR
200 KG

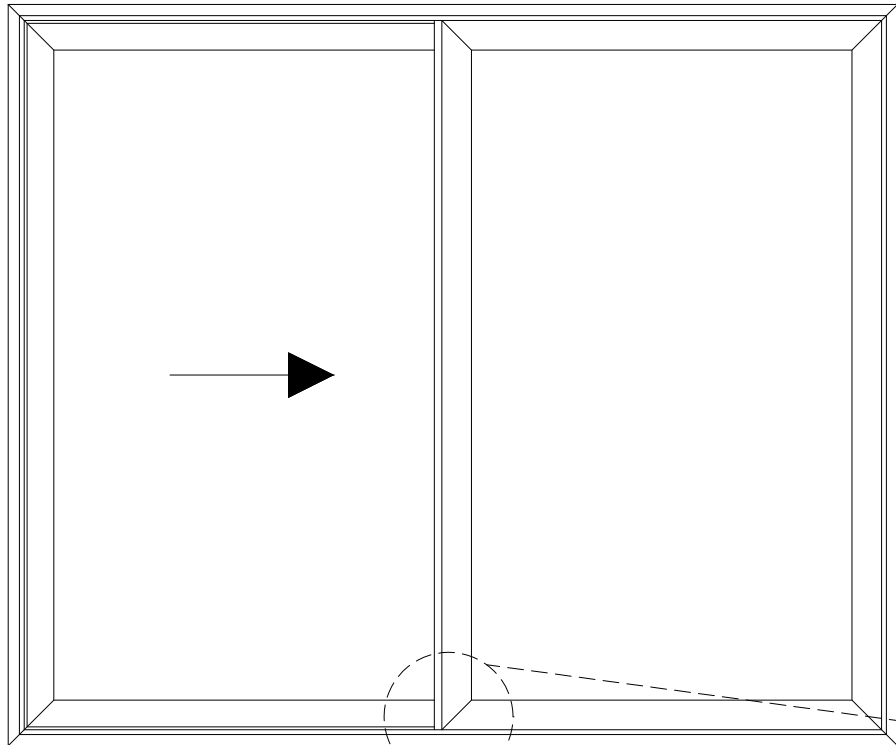


MONTAGE VG530
MONTAGE VG530
MONTAGE VG530
MONTAGE VG530

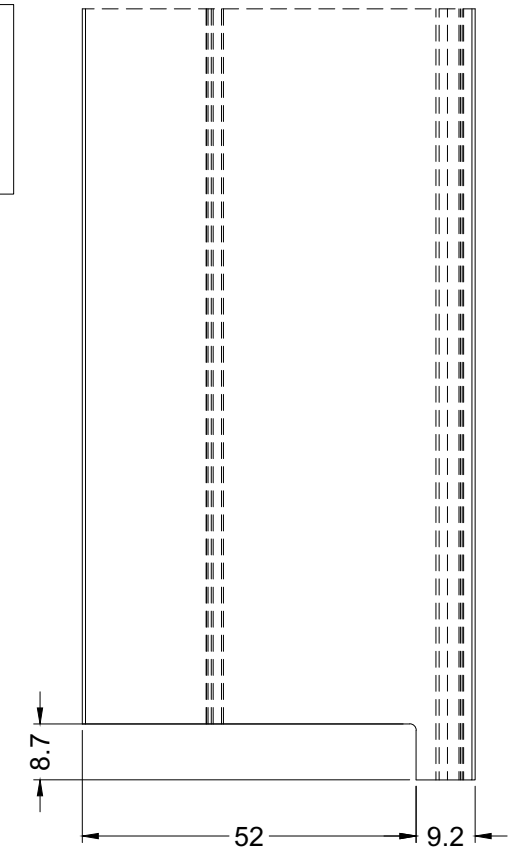
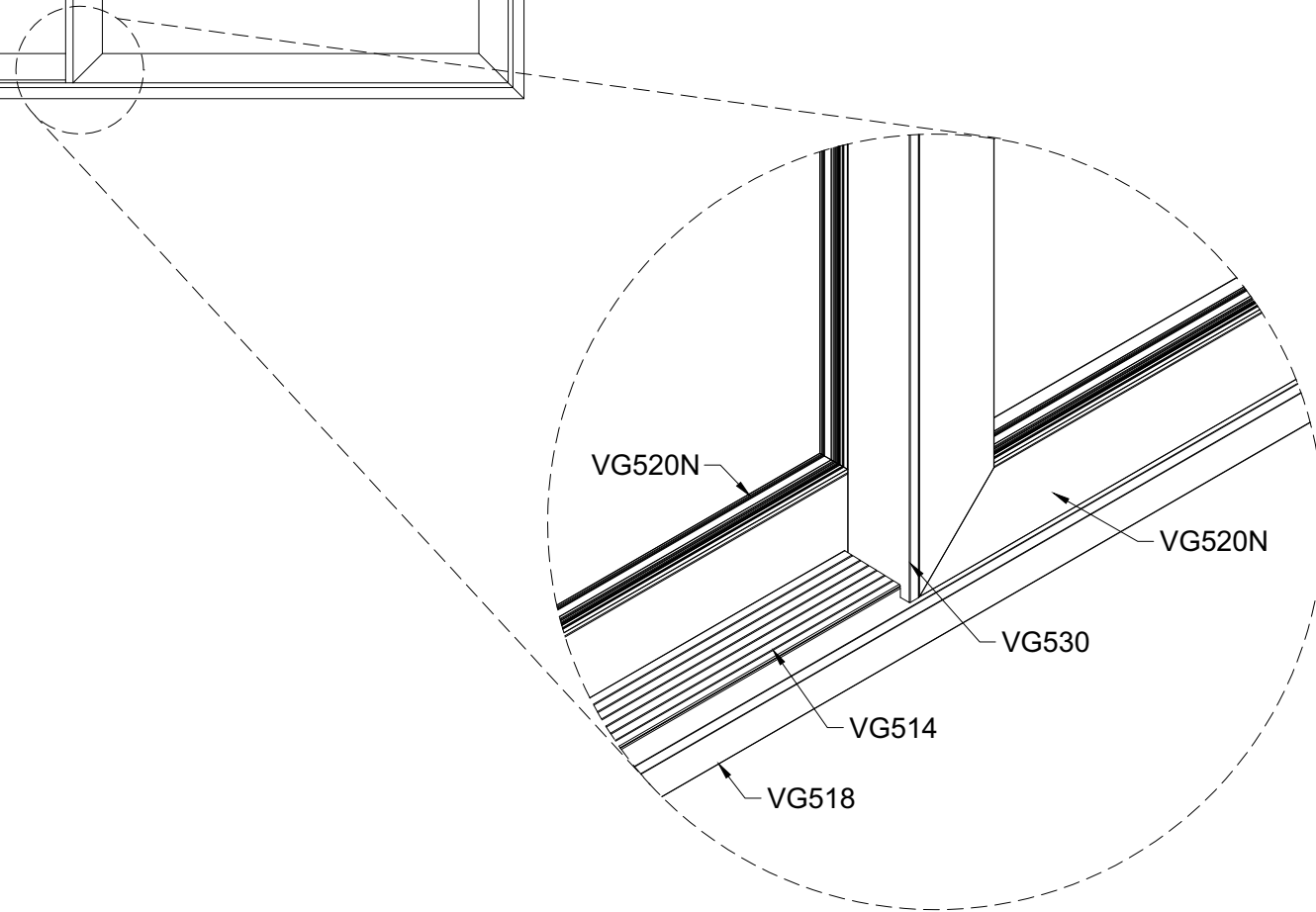


VG500

OPTIONELE BEWERKING VG530
OPERATION FACULTATIVE VG530
OPTIONAL BETRIEB VG530
OPTIONAL OPERATION VG530

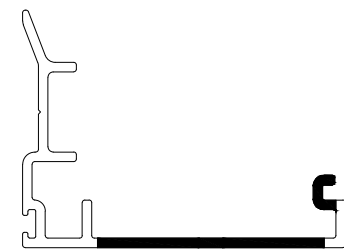
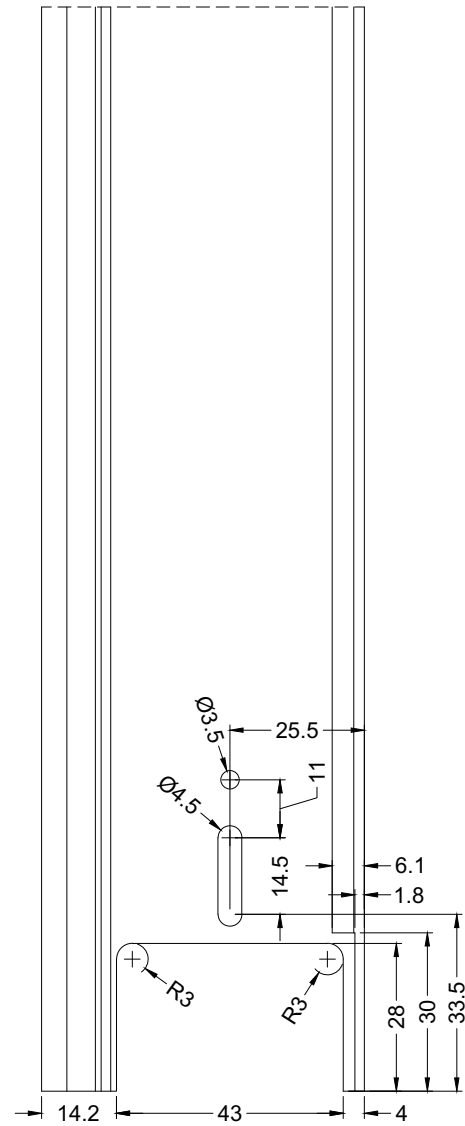


Optionele bewerking VG530 (CNC)
Opération facultative VG530 (CNC)
Optional Betrieb VG530 (CNC)
Optional operation VG530 (CNC)

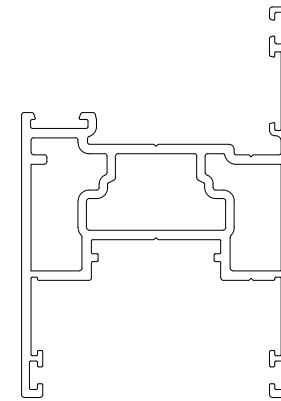


ACVG530_OPTIONEEL

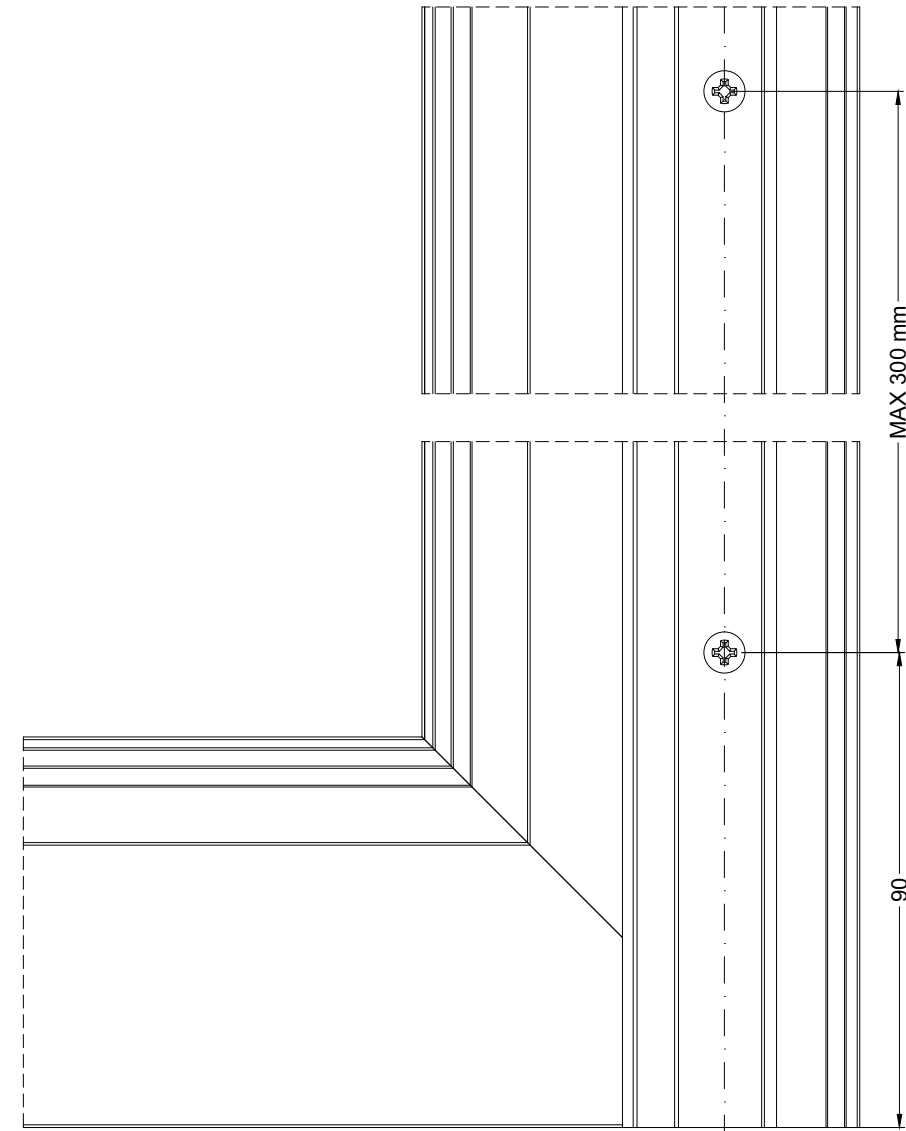
MONTAGE VG830N
MONTAGE VG830N
MONTAGE VG830N
MONTAGE VG830N



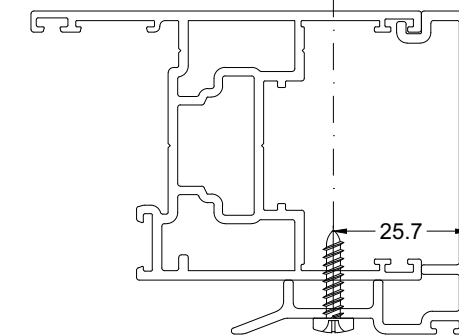
VG830N



VG820N



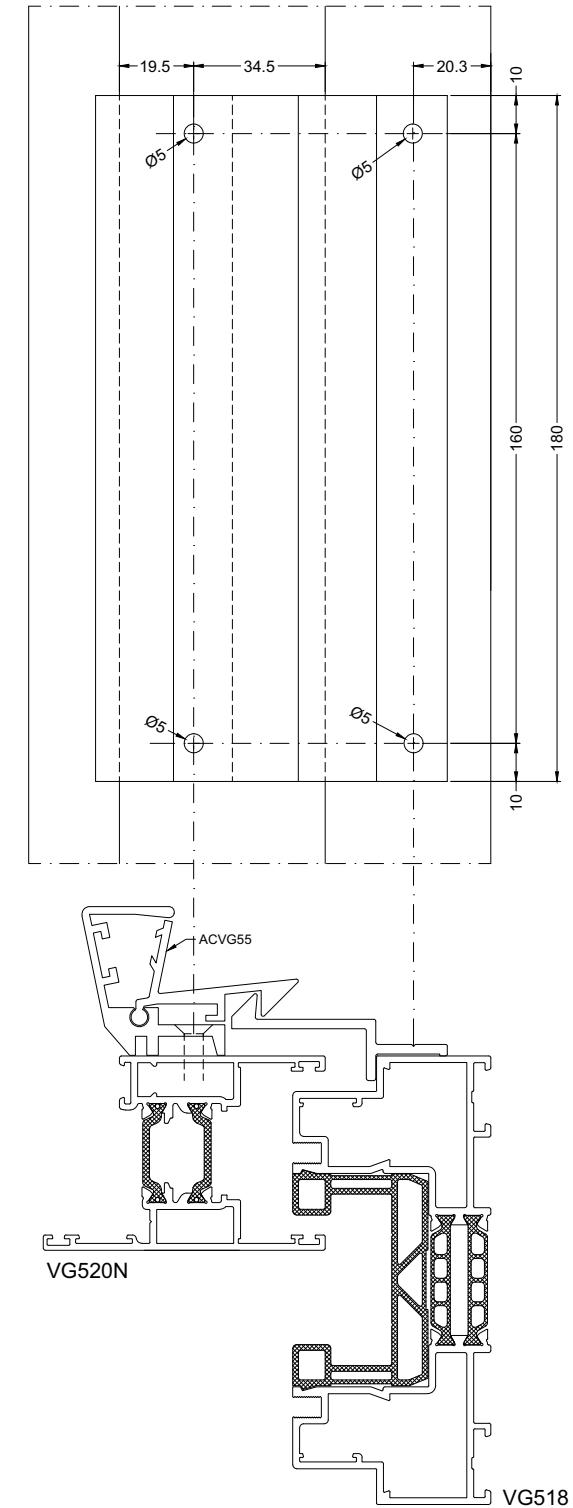
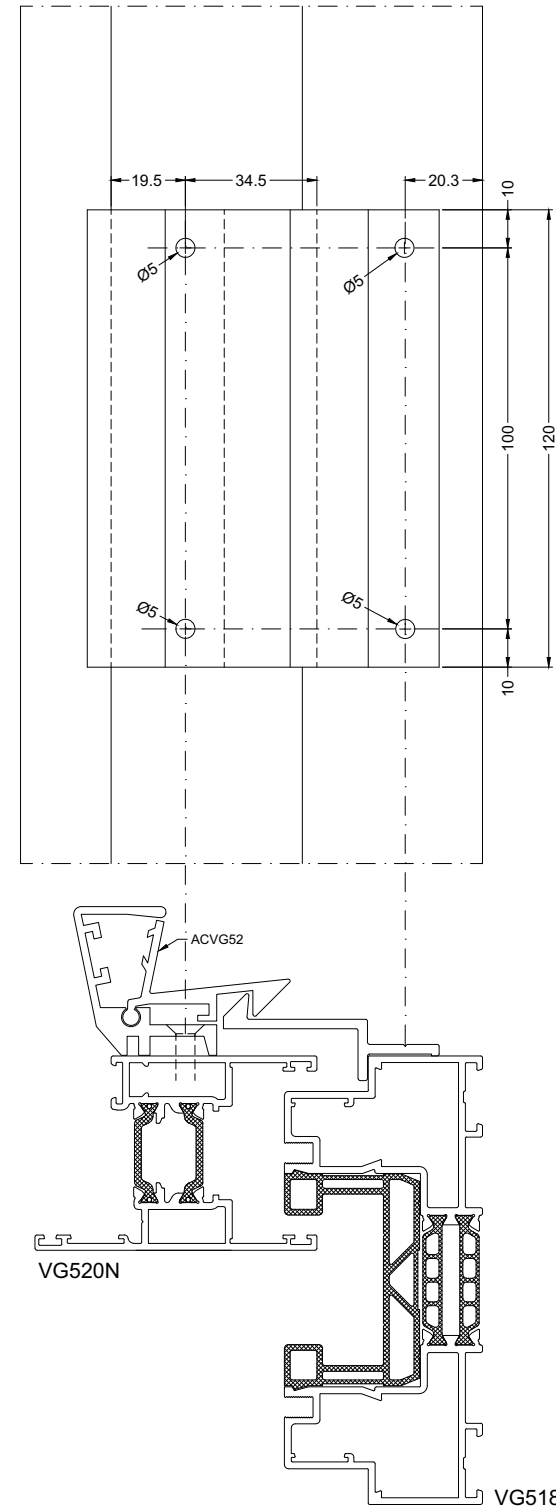
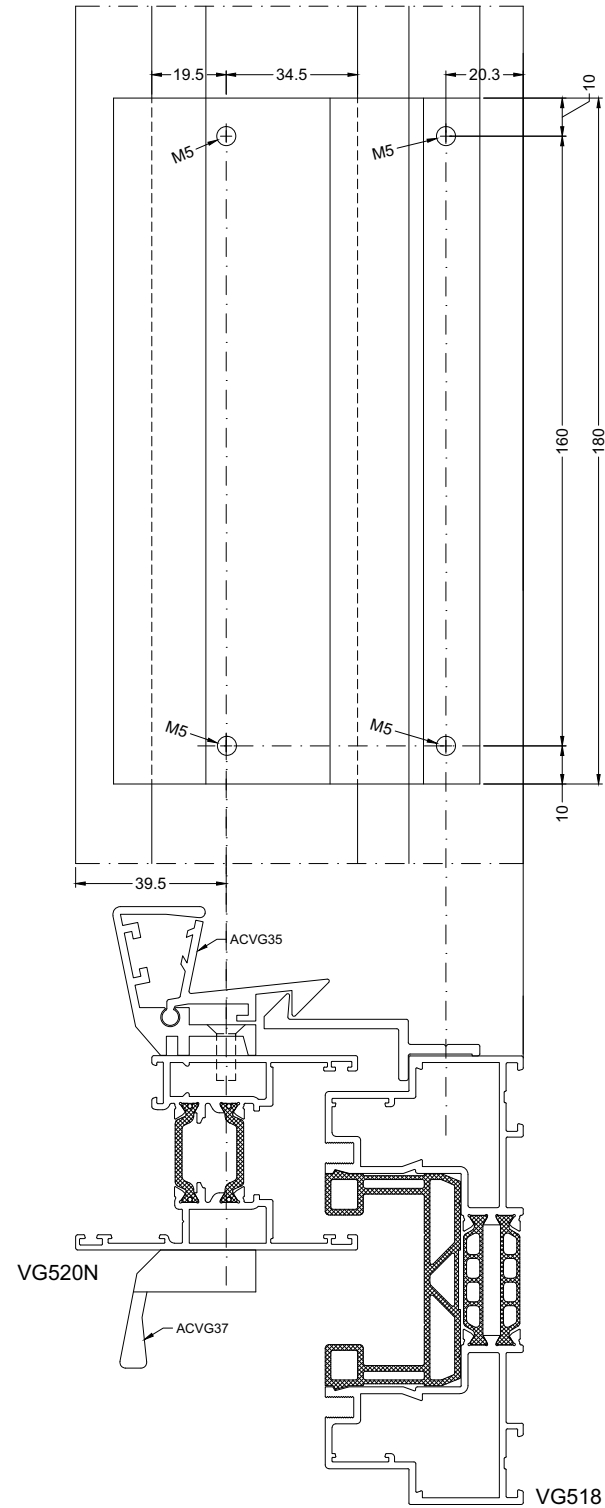
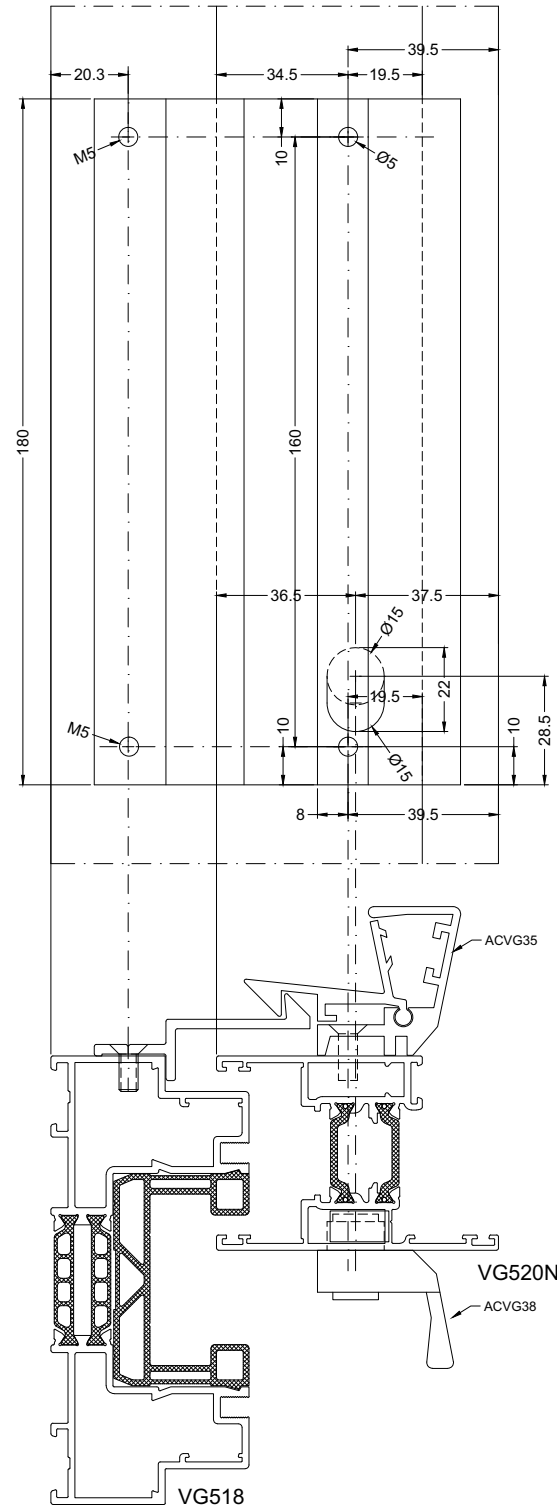
VG820N



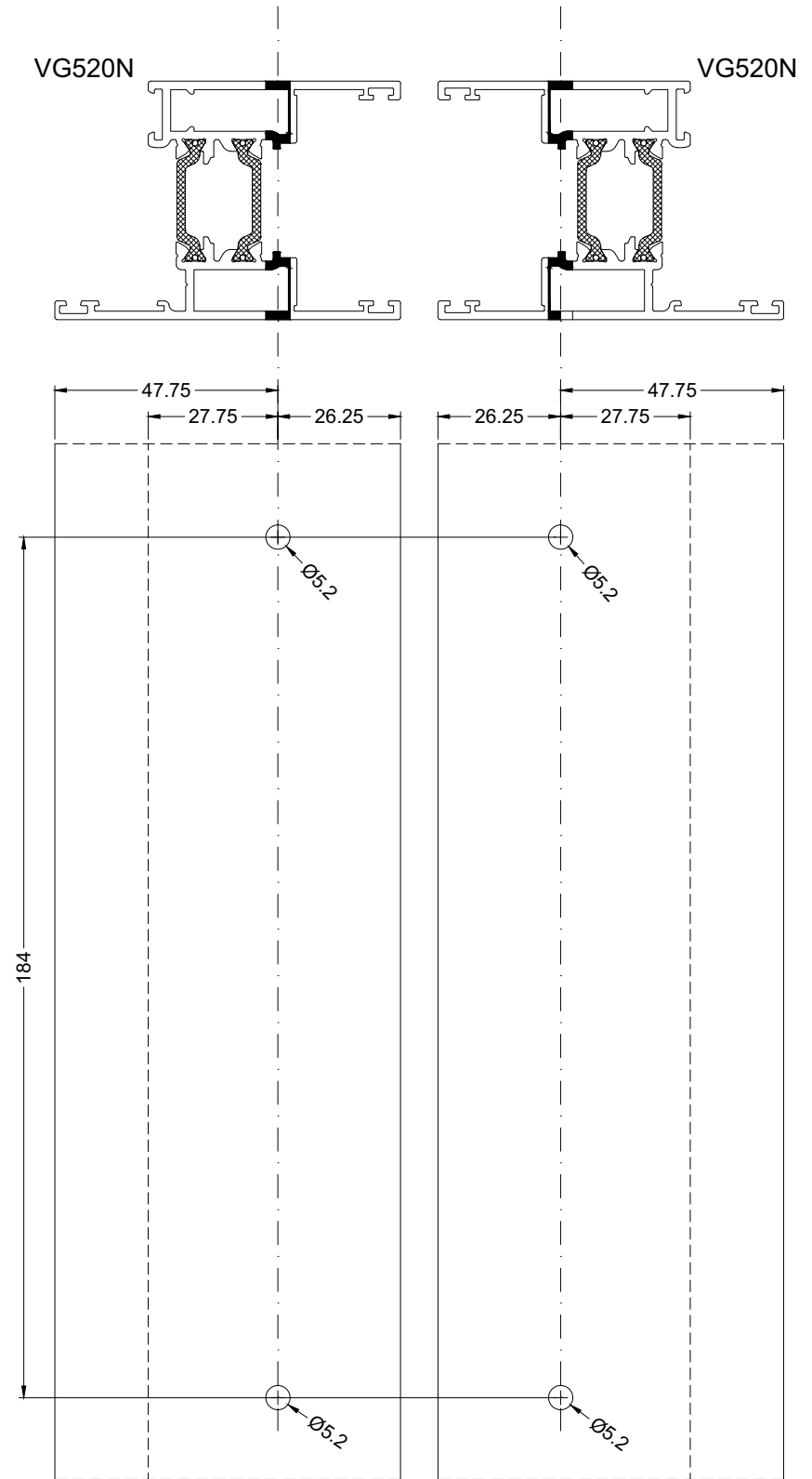
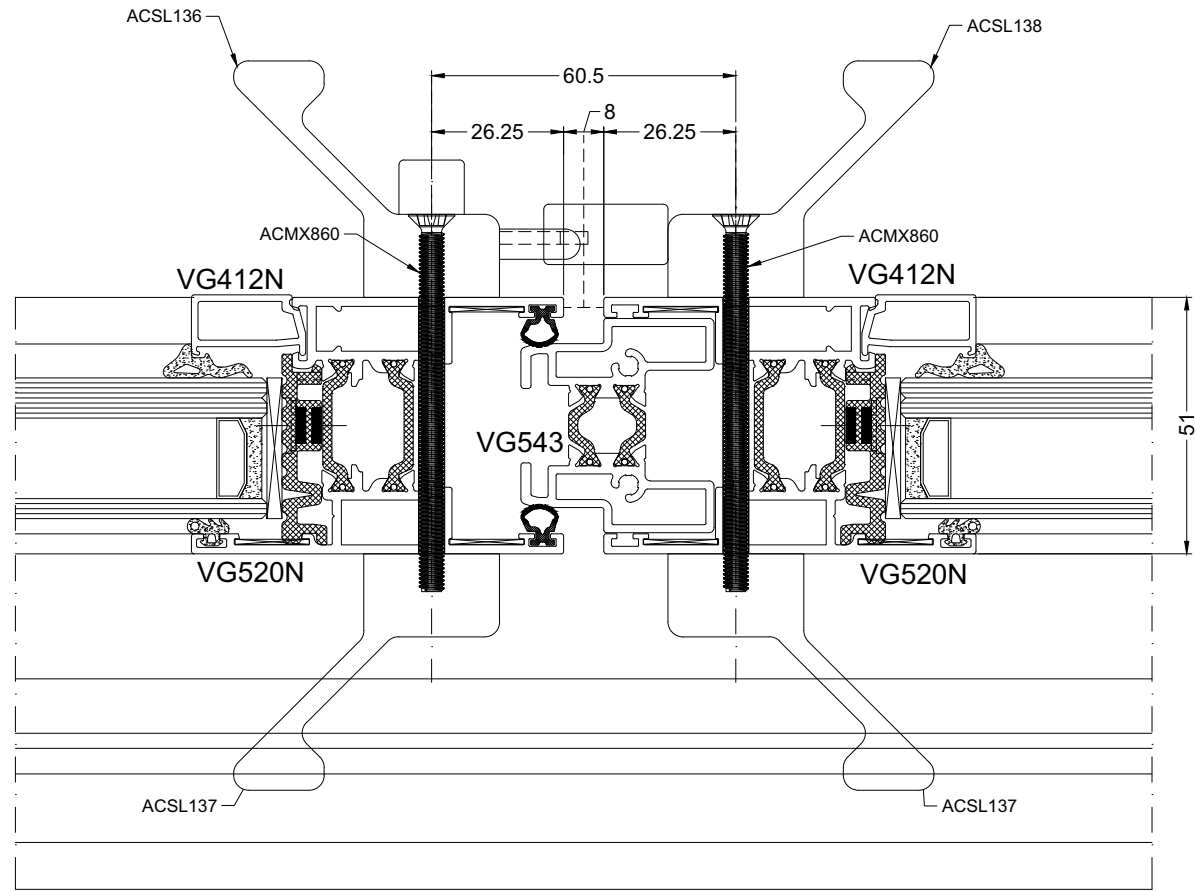
VG830N

VG500

MONTAGE ACVG35/ACG37/ACVG38/ACVG52/ACVG55
 MONTAGE ACVG35/ACG37/ACVG38/ACVG52/ACVG55
 MONTAGE ACVG35/ACG37/ACVG38/ACVG52/ACVG55
 MONTAGE ACVG35/ACG37/ACVG38/ACVG52/ACVG55



MONTAGE ACSL136/ACSL137/ACSL138
 MONTAGE ACSL136/ACSL137/ACSL138
 MONTAGE ACSL136/ACSL137/ACSL138
 MONTAGE ACSL136/ACSL137/ACSL138



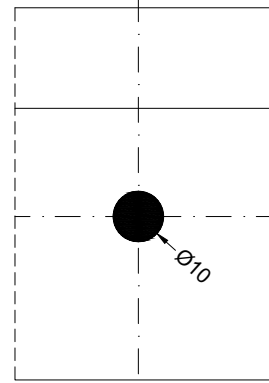
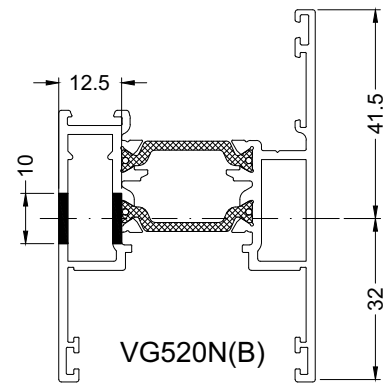
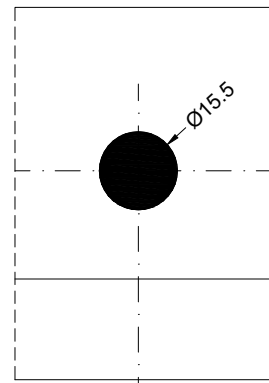
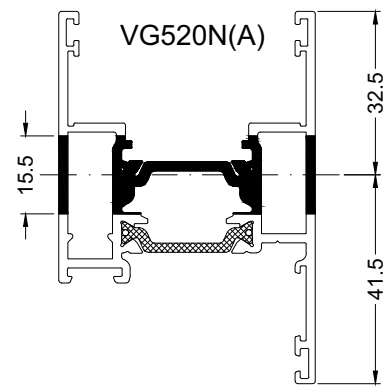
WERKTEKENINGEN - DESSINS DE CONSTRUCTION - KONSTRUKTIONZEICHNUNGEN - CONSTRUCTION DRAWINGS

ACSL136-137-138

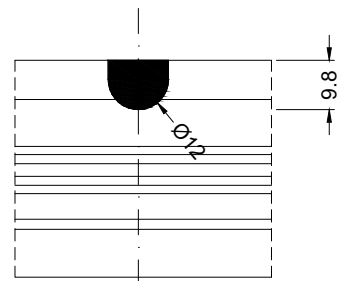
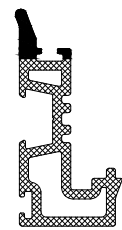


VG500

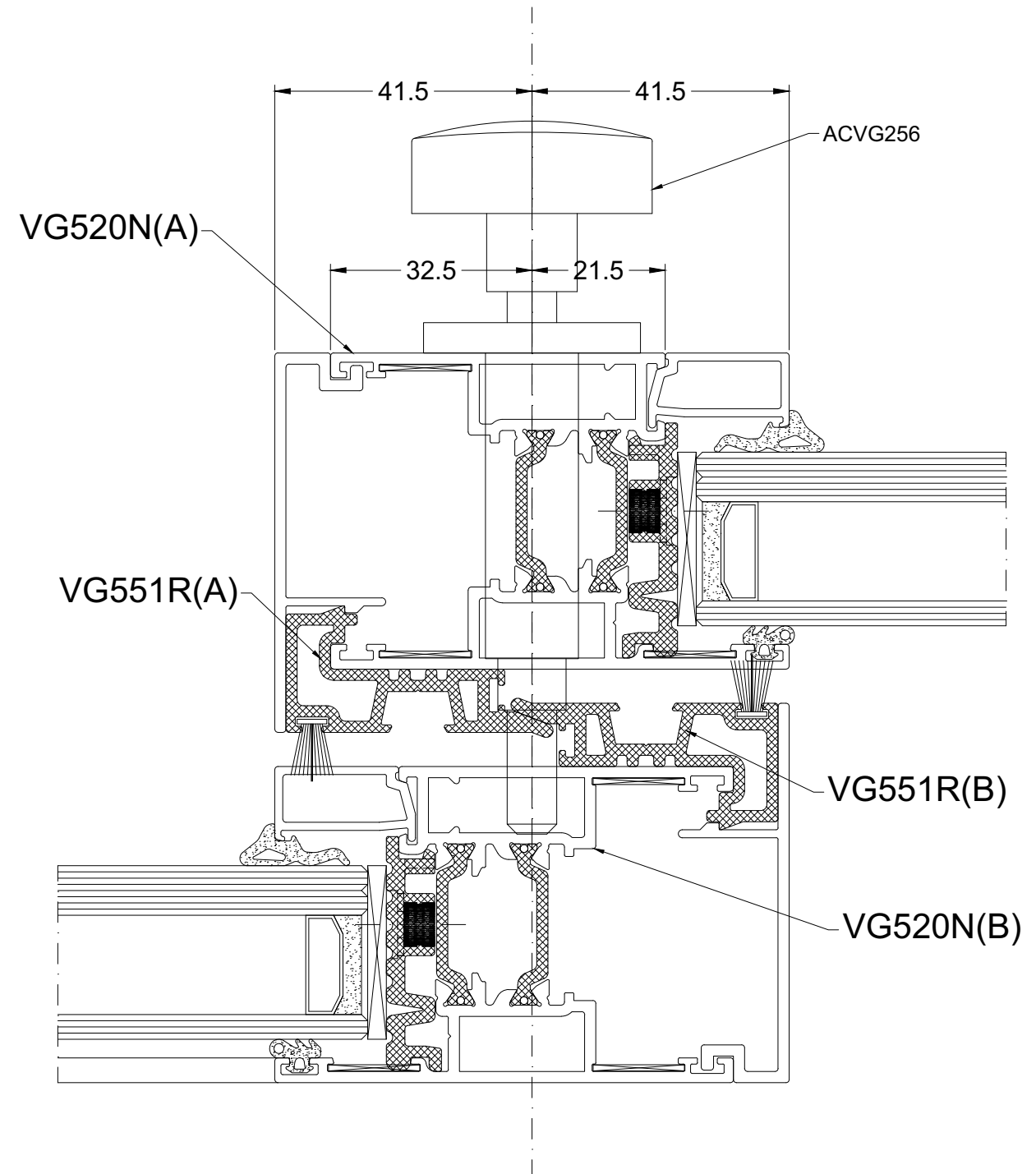
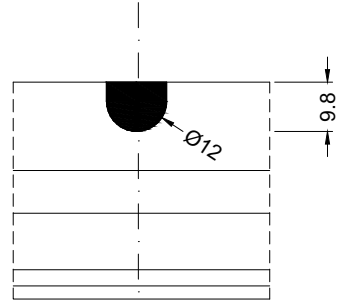
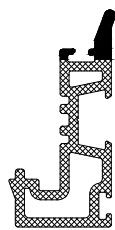
ACVG256 + VG520N
 ACG256 + VG520N
 ACG256 + VG520N
 ACG256 + VG520N



VG551N(A)

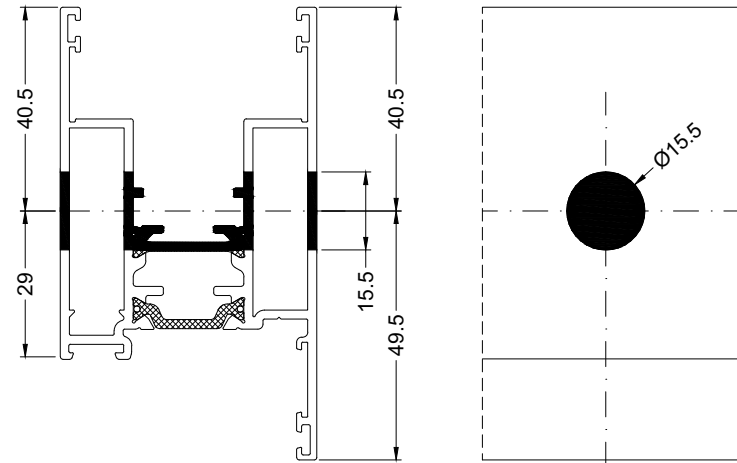


VG551N(B)

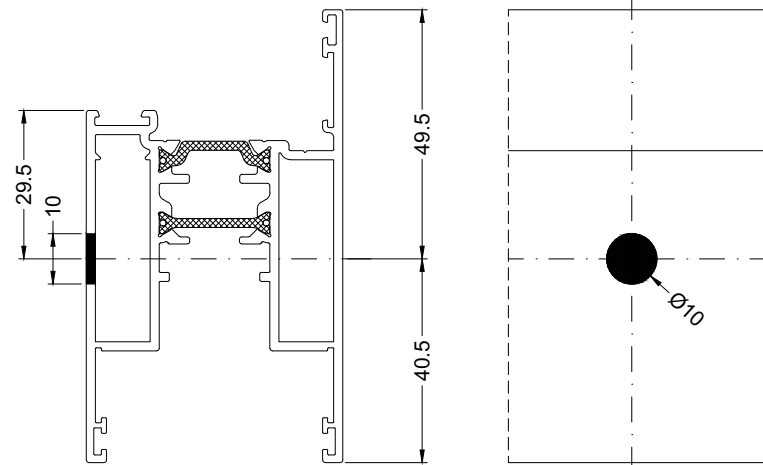


ACVG256 + VG521N
 ACG256 + VG521N
 ACVG256 + VG521N
 ACG256 + VG521N

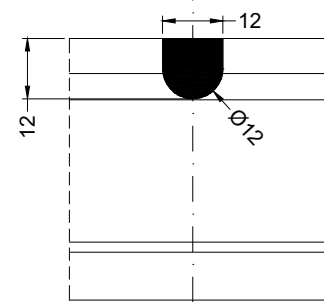
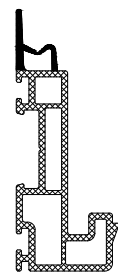
VG521N(A)



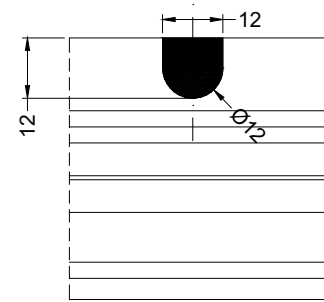
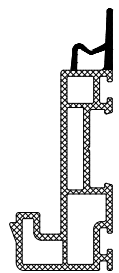
VG521N(A)



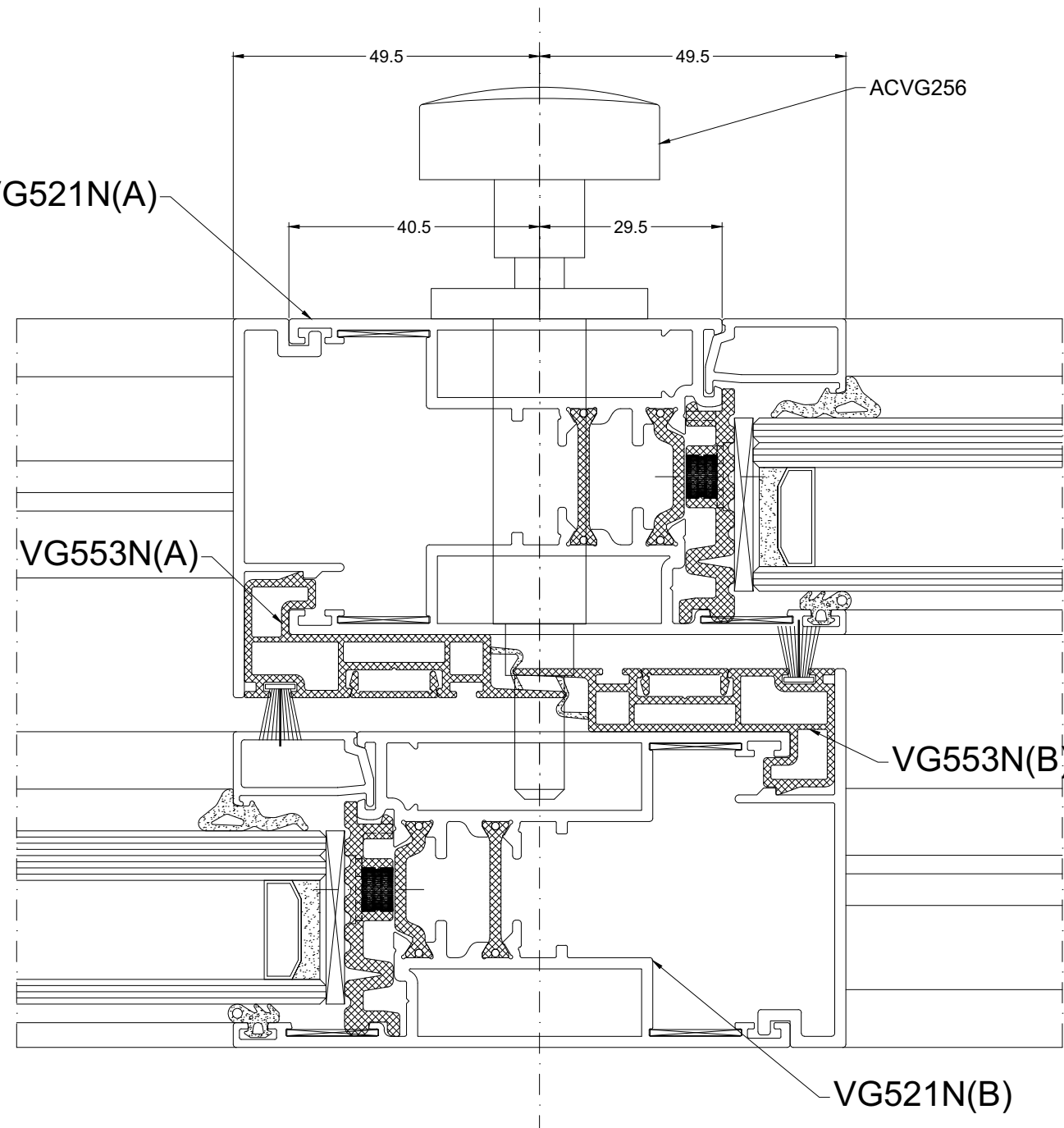
VG553N (A)



VG553N (B)

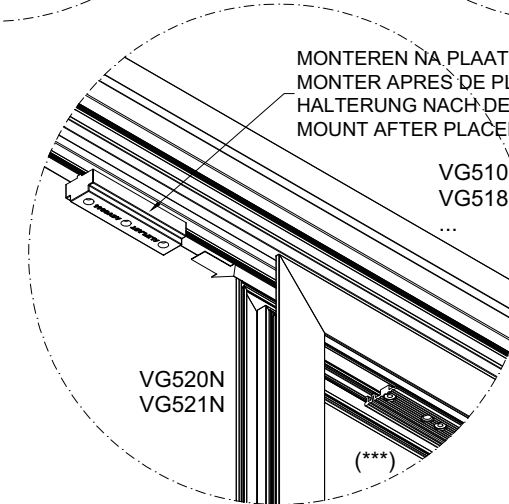
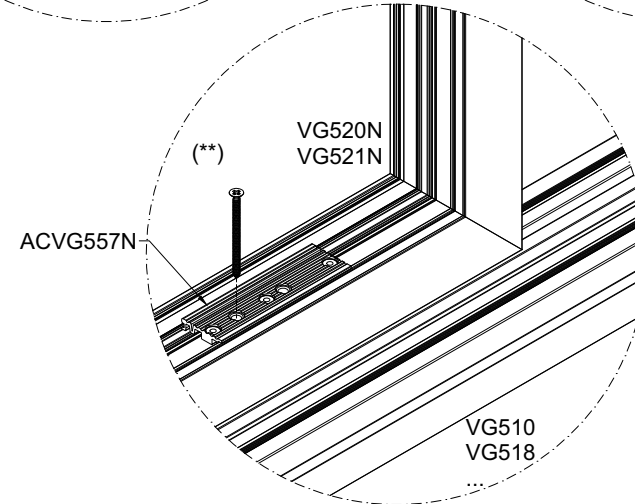
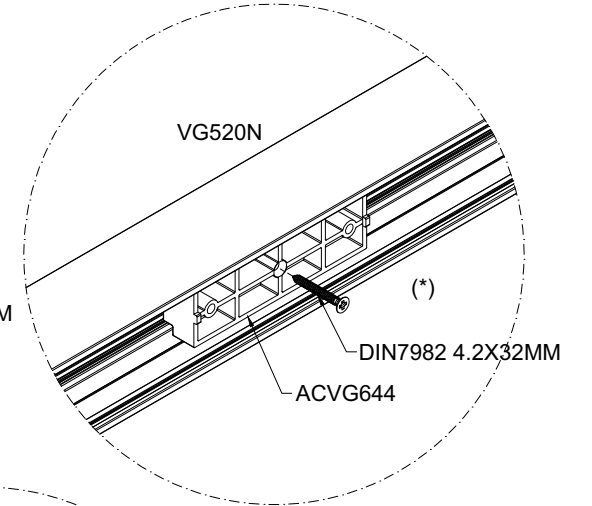
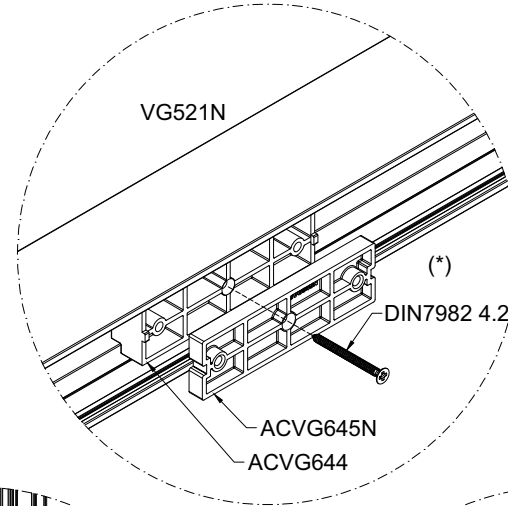
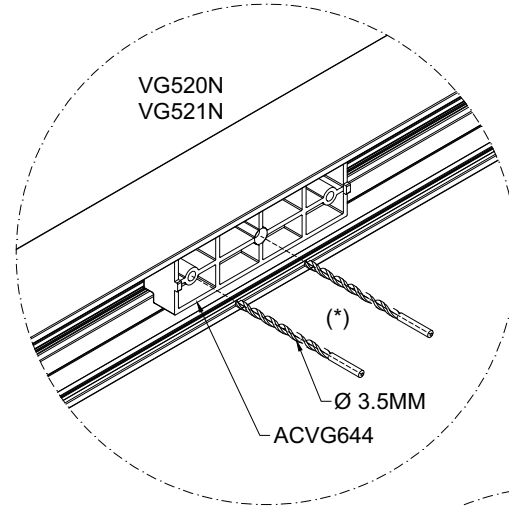
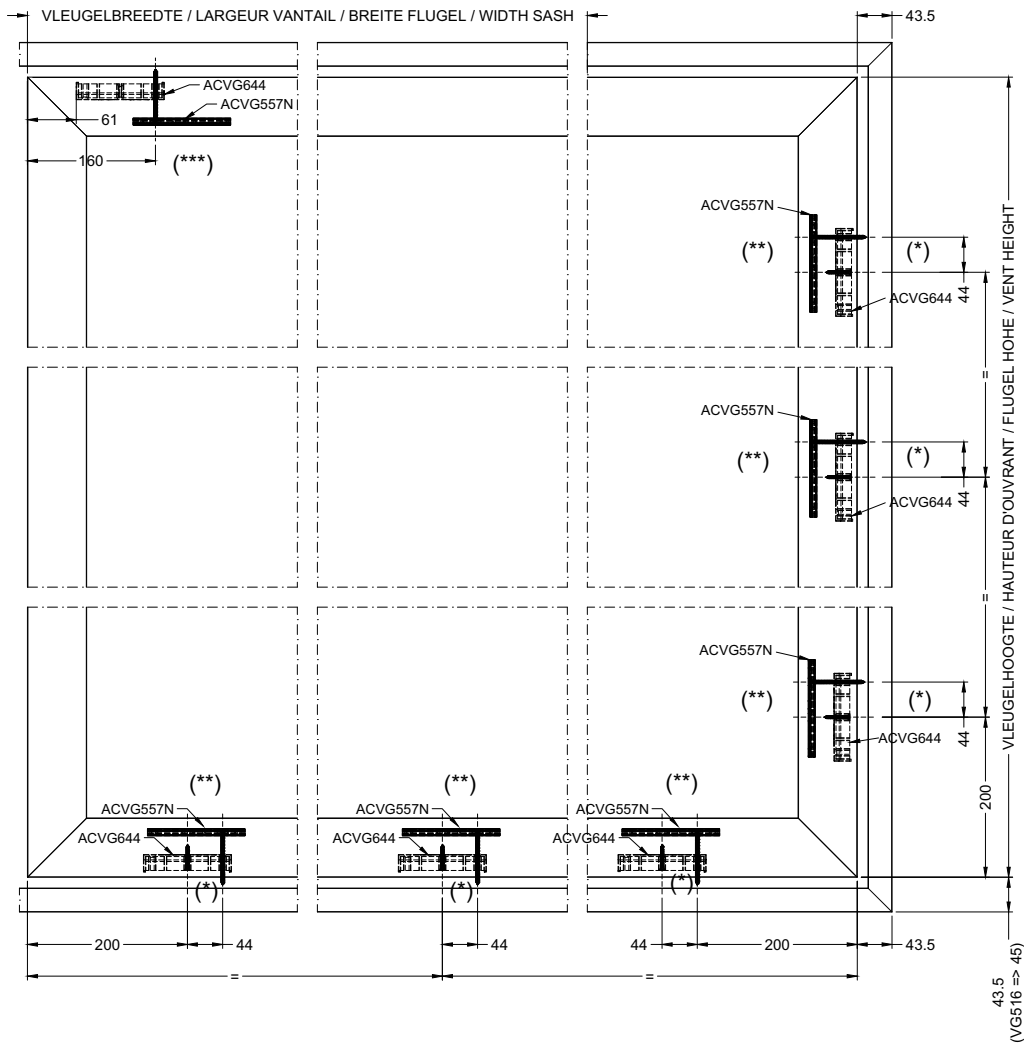


VG521N(A)

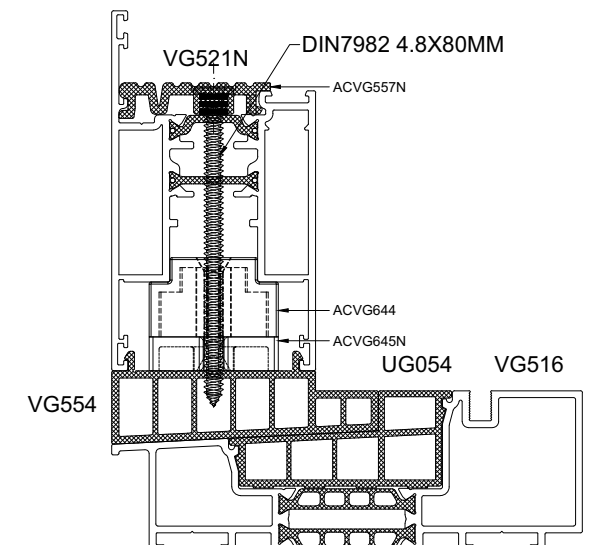
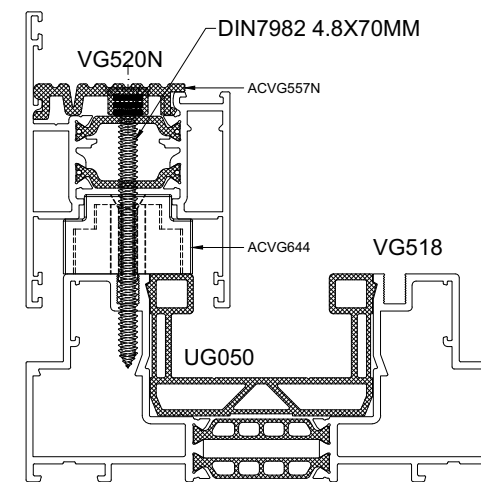
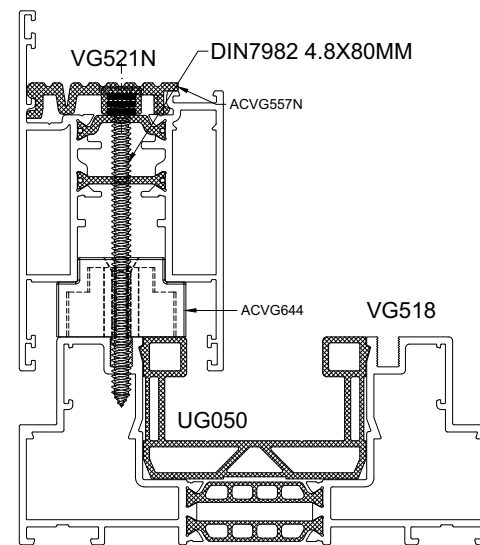
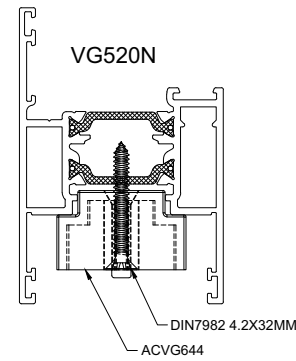
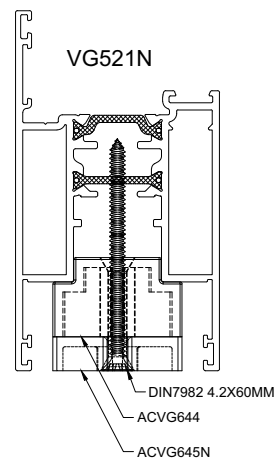
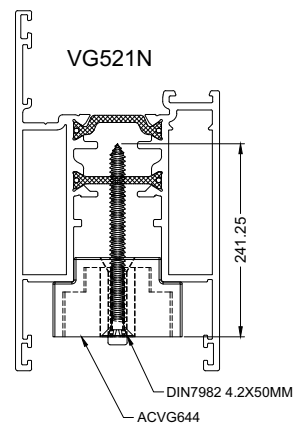


VG500

MONTAGE KLEMSTUK (ACVG644 - ACVG645N)
 ASSEMBLAGE PIECE DE BLOCAGE (ACVG644 - ACVG645N)
 MONTAGE BEFESTIGUNGSKLOTZ (ACVG644 - ACVG645N)
 ASSEMBLY FIXING PIECE (ACVG644 - ACVG645N)

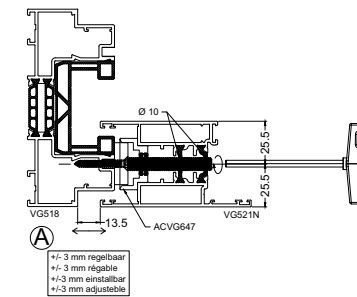
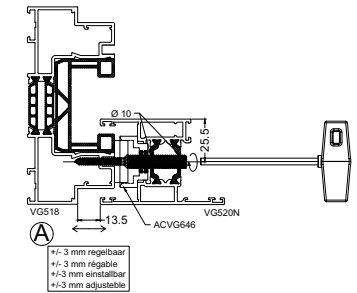
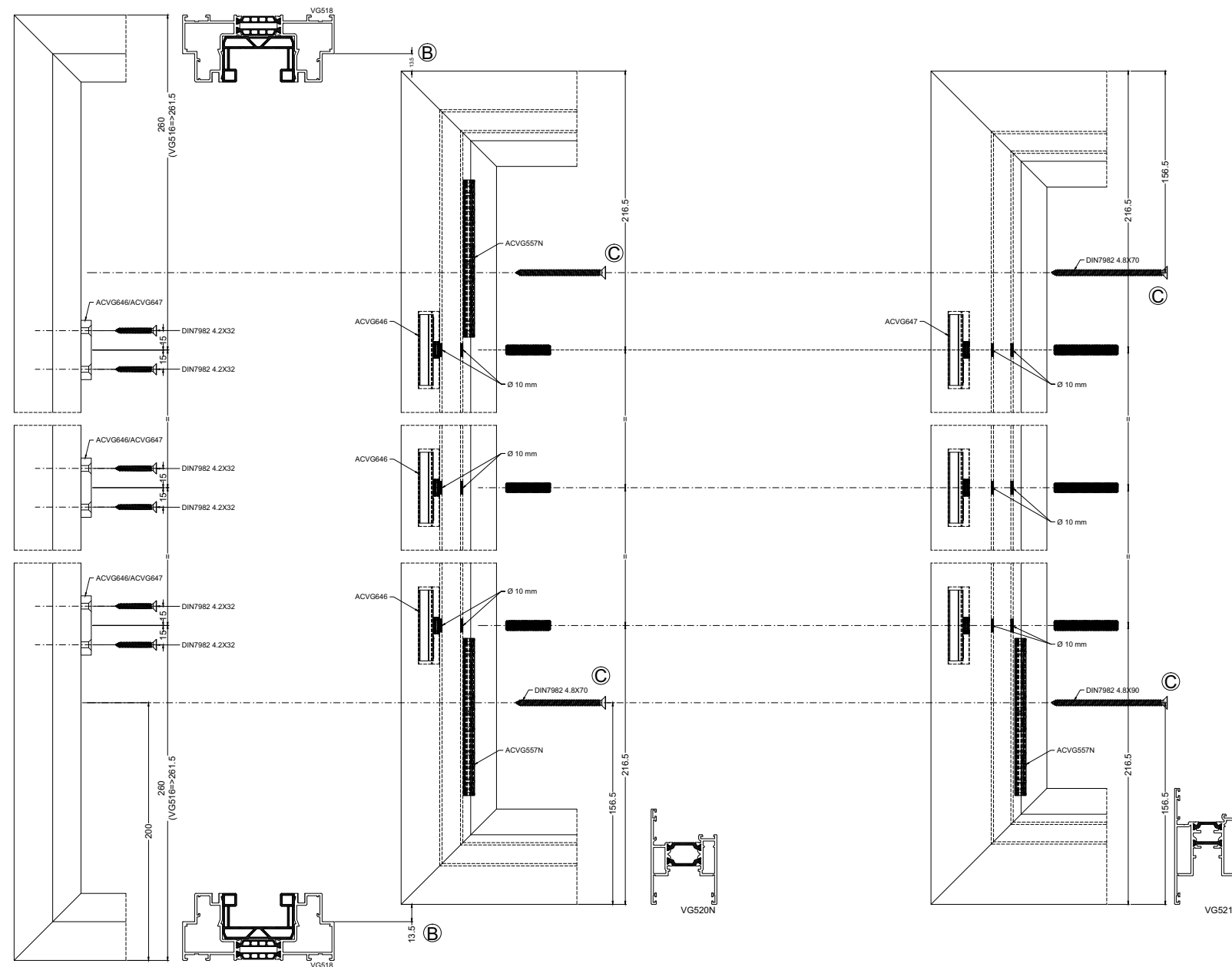
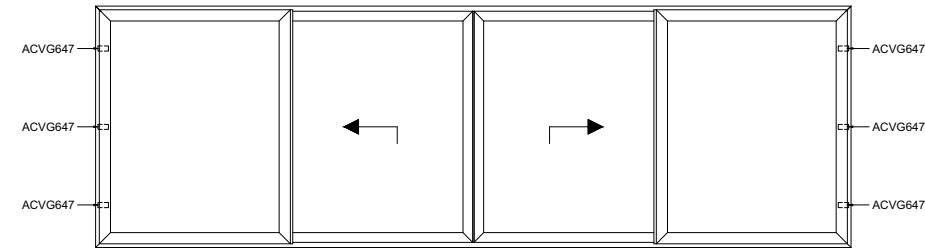
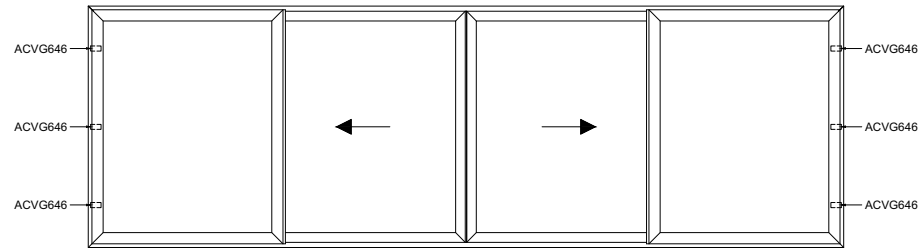


MONTEREN NA PLAATSING VASTE VLEUGEL
 MONTER APRES DE PLACEMET D'OUVRANT FIXE
 HALTERUNG NACH DER PLATZIERUNG FESTEN FLUGEL
 MOUNT AFTER PLACEMENT FIXED SASH



ACVG644&ACVG645

ACVG646-ACVG647



1. MONTAGE ACVG646/647 OP KADER EN VASTE VLEUGEL
MONTAGE ACVG646/647 SUR DORMANT ET OUVRANT FIX
MONTAGE ACVG646/647 AUF BLENDRAHMEN UND FASTEN FLUGEL
MONTAGE ACVG646/647 ON OUTER FRAME AND FIXED SASH
2. VLEUGEL PLAATSEN EN ACVG646/647 REGELEN TOT A = 13.5 mm
MONTAGE OUVRANT FIX DANS DORMANT JUSQU'À A = 13.5 mm
MONTAGE FASTEN FLUGEL IN BLENDRAHMEN BIS ZU A = 13.5 mm
MONTAGE FIXED SASH IN OUTERFRAME TILL A = 13.5 mm
3. BEWEGENDE VLEUGEL(S) PLAATSEN EN ACVG646/647 BIJREGELLEN INDIEN NODIG
MONTAGE OUVRANT(S) COULISSANT(S) ET RÉGLER ACVG646/647 EN CAS DE NÉCESSAIRE
MONTAGE BEWEGENDER FLUGEL(S) UND ACVG646/647 EINSTELLEN FALLS NOTWENDIG
MONTAGE MOVING SASH AND ADJUST ACVG646/647 IF NECESSARY
4. B = 13.5 mm BOVEN EN ONDER CONTROLEREN
B = 13.5 mm CONTROLER EN BAS ET EN HAUT
B = 13.5 mm ÜBERPRÜFEN UNTER UND OBEN
B = 13.5 mm TO CHECK ON BOTTOM AND TOP
5. VASTE VLEUGEL FIXEREN MET ACVG644/645 ONDER-EN BOVENAAN
OUVRANT FIXER AVEC ACVG644/645 EN BAS ET EN HAUTE
FASTEN FLUGEL BEFESTIGEN MIT ACVG644/645 UNTER UND OBEN
SASH FIXING WITH ACVG644/645 ON BOTTOM AND TOP
6. VASTE VLEUGEL ZIJDELINGS FIXEREN (C)
OUVRANT FIXATION LATÉRALE (C)
FASTEN FLUGEL SEITLICH BEFESTIGEN (C)
LATERAL FIXING OF THE SASH (C)

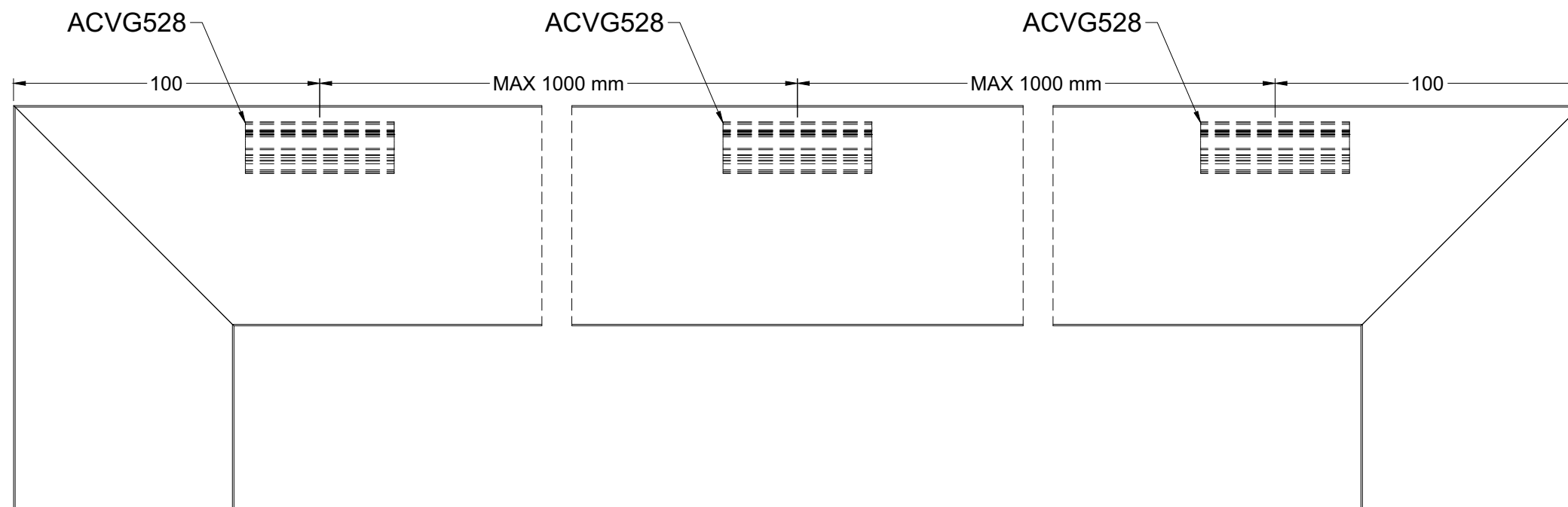
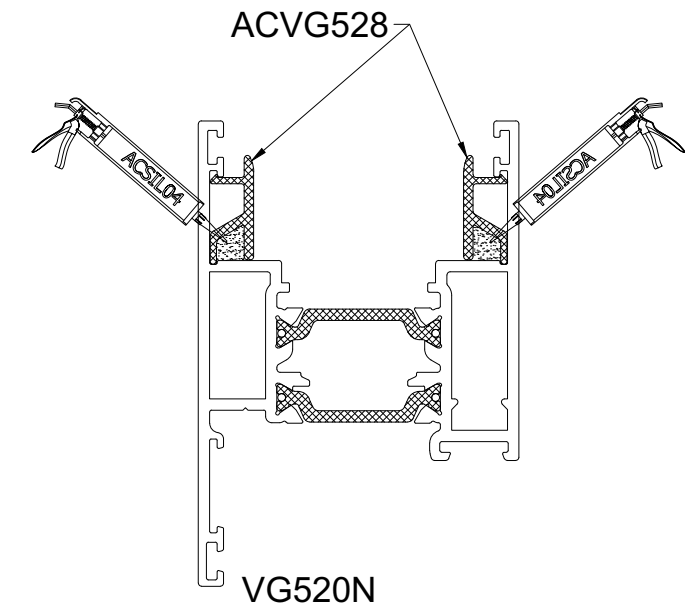
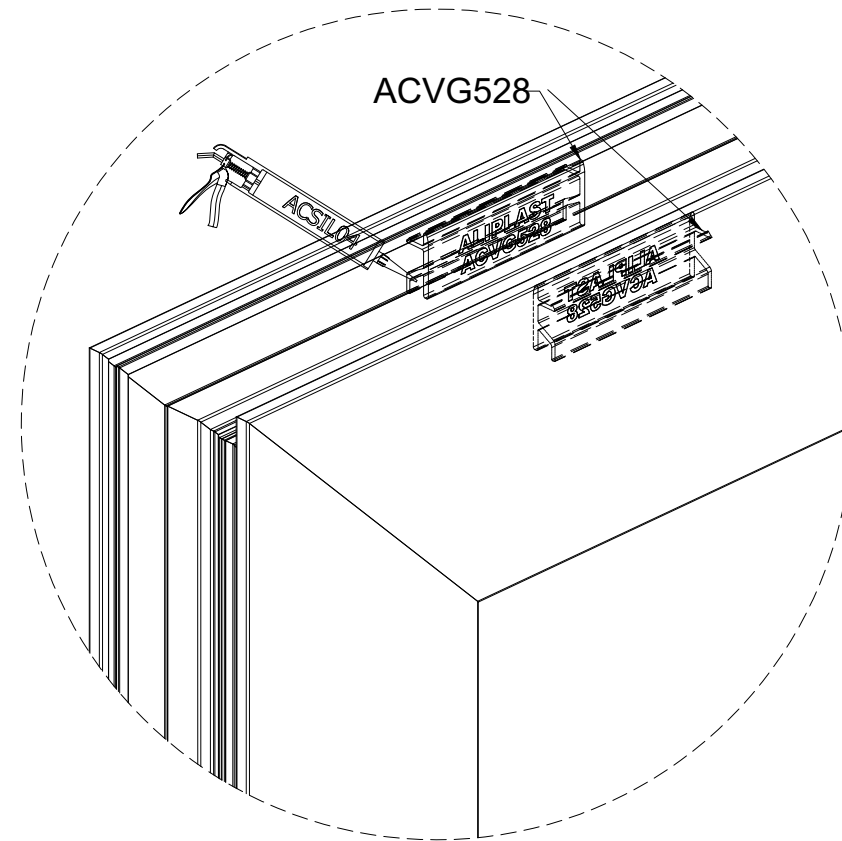
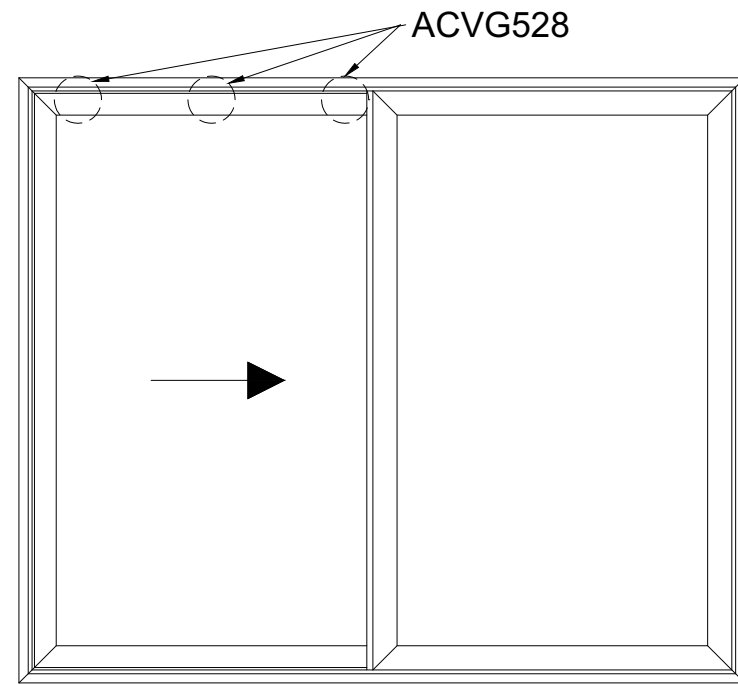
ACVG646-ACVG647

aliplast
member of

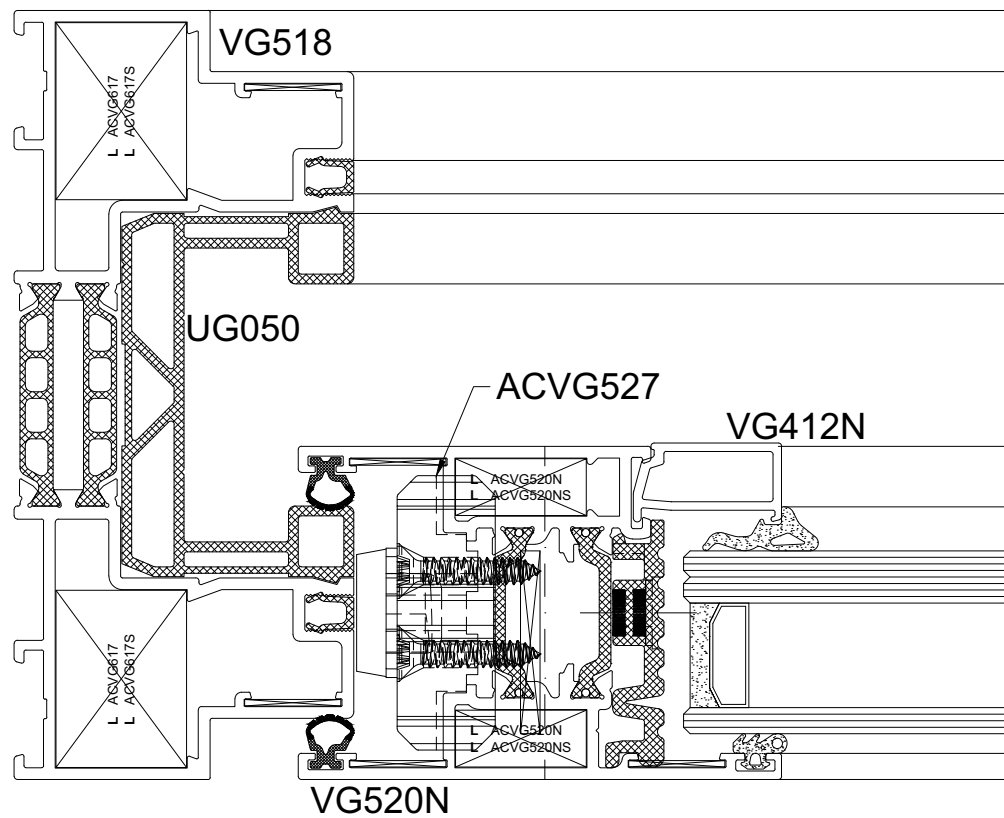
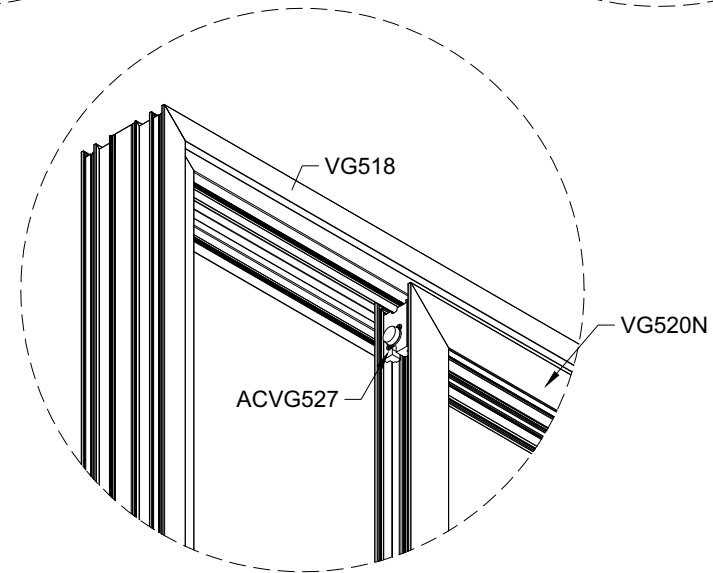
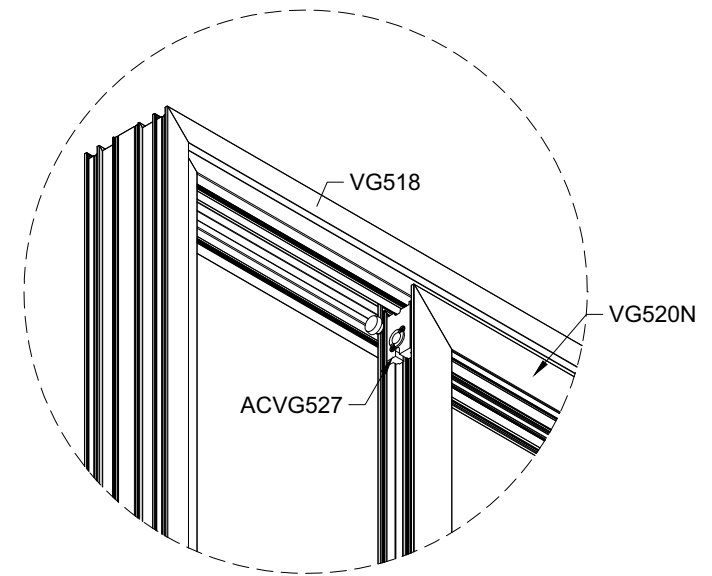
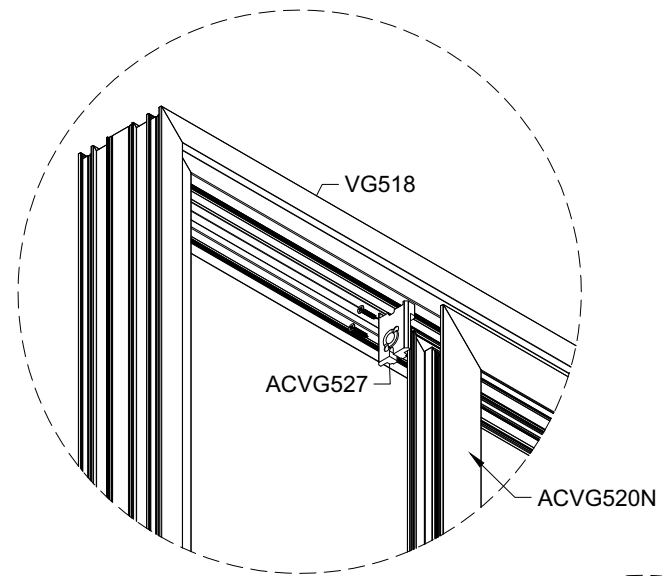
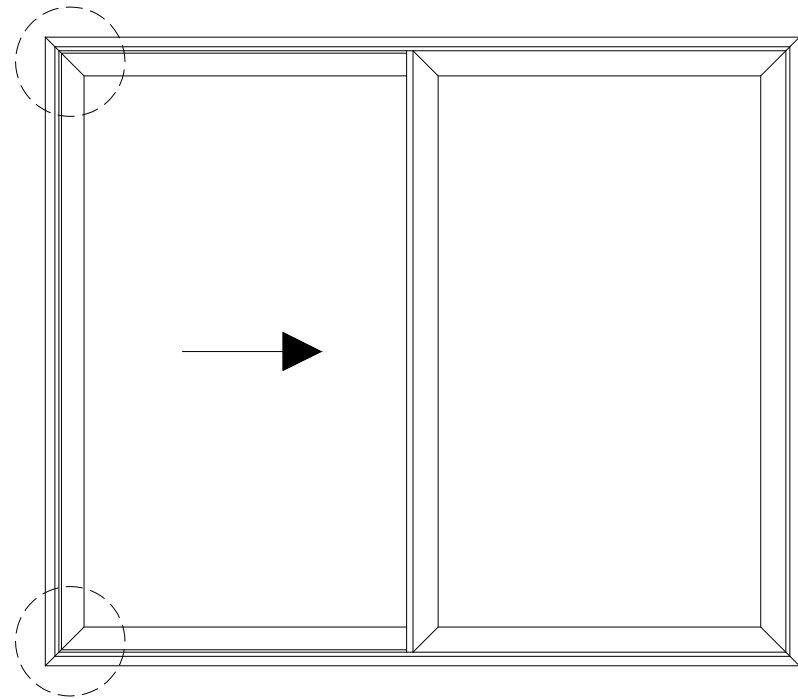


VG500

MONTAGE ACVG528
ASSEMBLAGE ACVG528
MONTAGE ACVG528
ASSEMBLY ACVG528



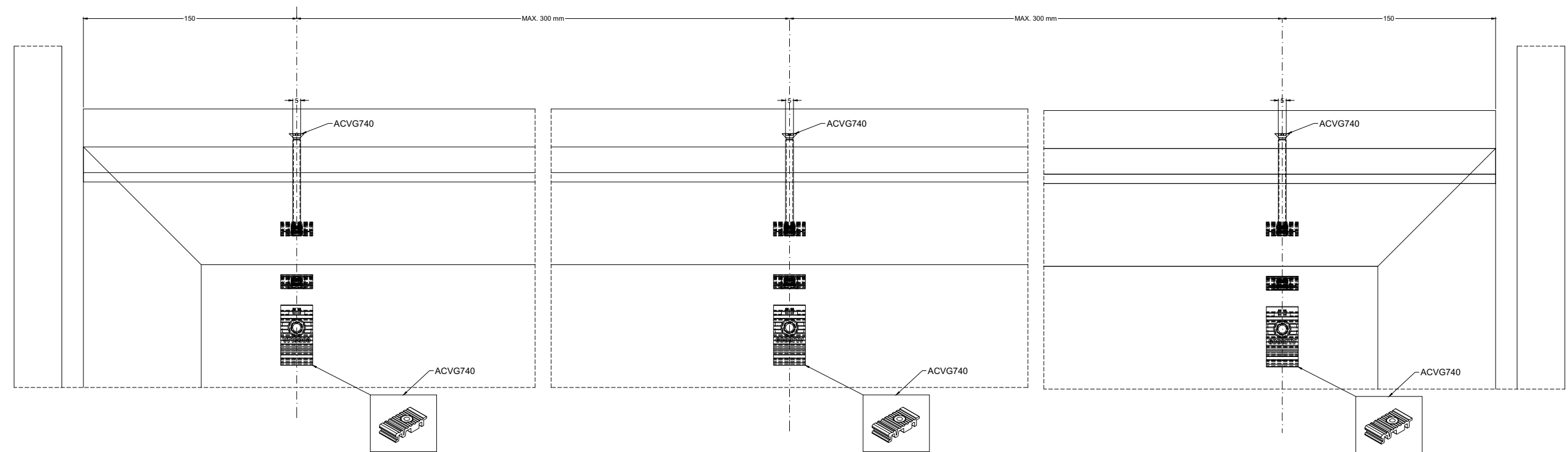
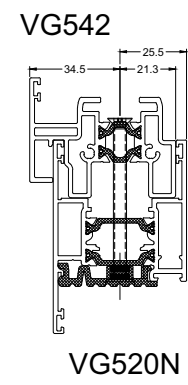
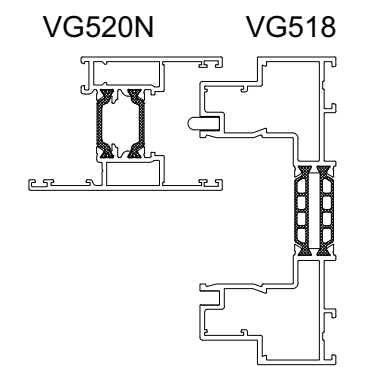
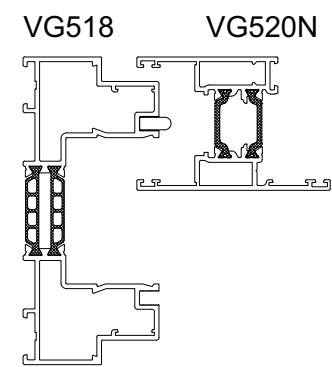
MONTAGE ACVG527
MONTAGE ACVG527
MONTAGE ACVG527
MONTAGE ACVG527



ACVG527

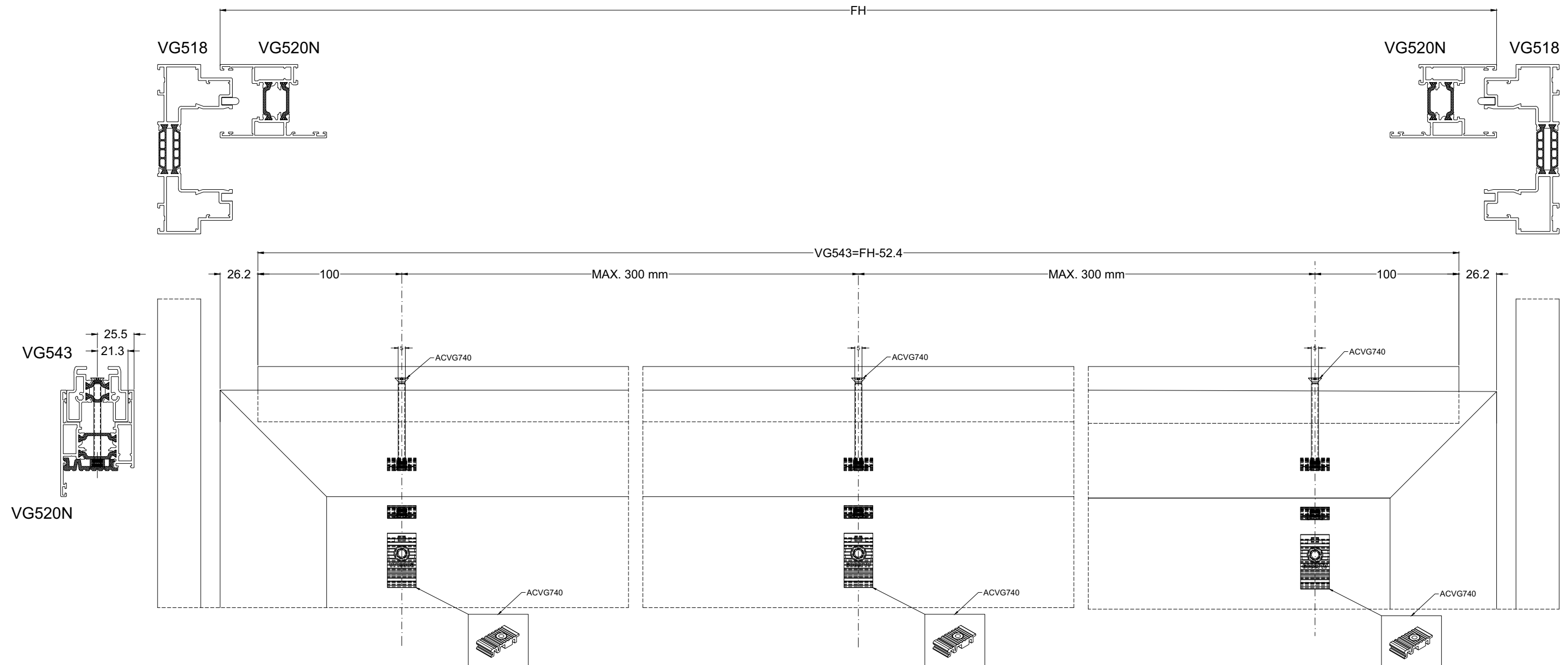
VG500

VG542



ACVG740

VG543

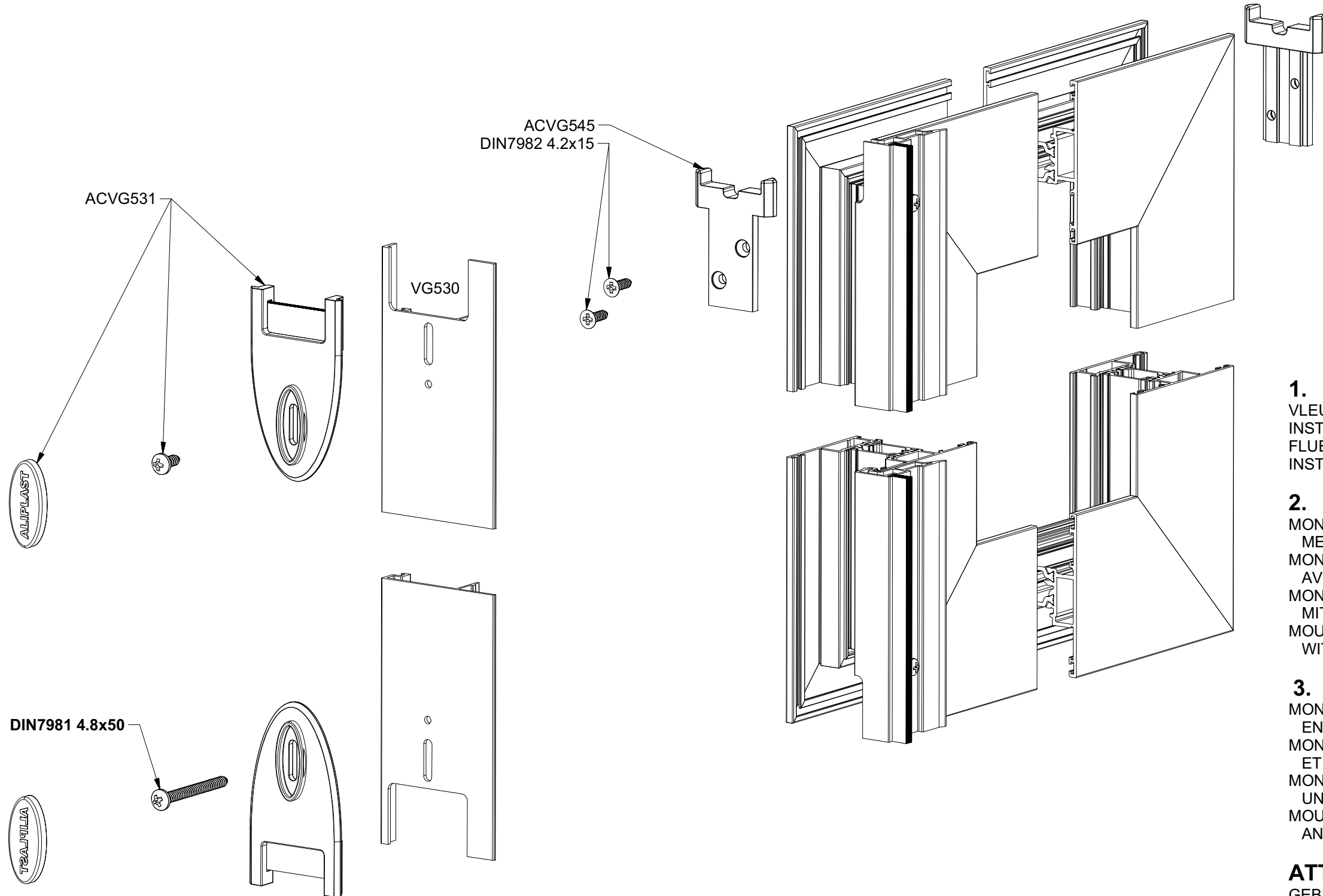


WERKTEKENINGEN - DESSINS DE CONSTRUCTION - KONSTRUKTIONZEICHNUNGEN - CONSTRUCTION DRAWINGS

VG543

VG500

MONTAGE ACVG545
MONTAGE ACVG545
MONTAGE ACVG545
MONTAGE ACVG545



1.
VLEUGEL INSTALLEREN ZONDER AFDEKPROFIEL
INSTALLATION DE L'OUVRANT SANS CHICANE
FLUEGEL INSTALLIEREN OHNE WECHSELPROFIL
INSTALL VENT WITHOUT MEETING SECTION

2.
MONTAGE VAN ACVG545 AAN BEIDE ZIJDEN
MET DIN7982 4.2x15
MONTAGE DU ACVG545 SUR LES DEUX COTES
AVEC DIN7982 4.2x15
MONTAGE VON ACVG545 BEIDERSEITS
MIT DIN7982 4.2x15
MOUNTING OF ACVG545 ON BOTH SIDES
WITH DIN7982 4.2x15

3.
MONTAGE AFDEKPROFIEL VG530
EN SLUITSTUK ACVG531
MONTAGE DU CHICANE VG530
ET CLOISOIR ACVG531
MONTAGE VON WECHSELPROFIL VG530
UND ABDECKKAPPE ACVG531
MOUNTING OF MEETING SECTION VG530
AND CENTRAL PLUG ACVG531

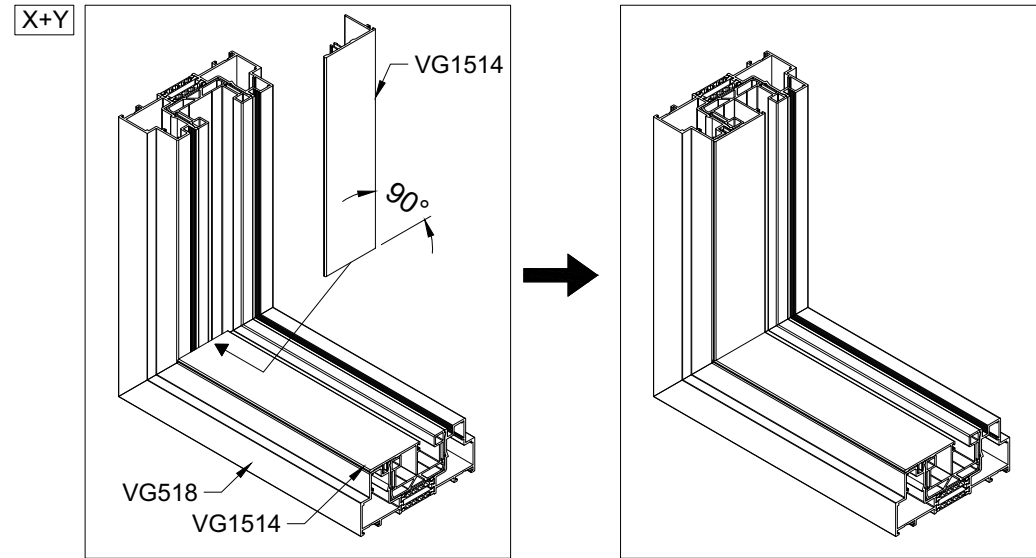
ATTENTION!

GEBRUIK VOOR ACVG531 ONDERAAN DIN7981 4.8x50
POUR ACVG531 EN BAS UTILISER DIN7981 4.8x50
FUR ACVG531 UNTEN VERWENDEN DIN7981 4.8x50
FOR ACVG531 AT THE BOTTOM USE DIN7981 4.8x50

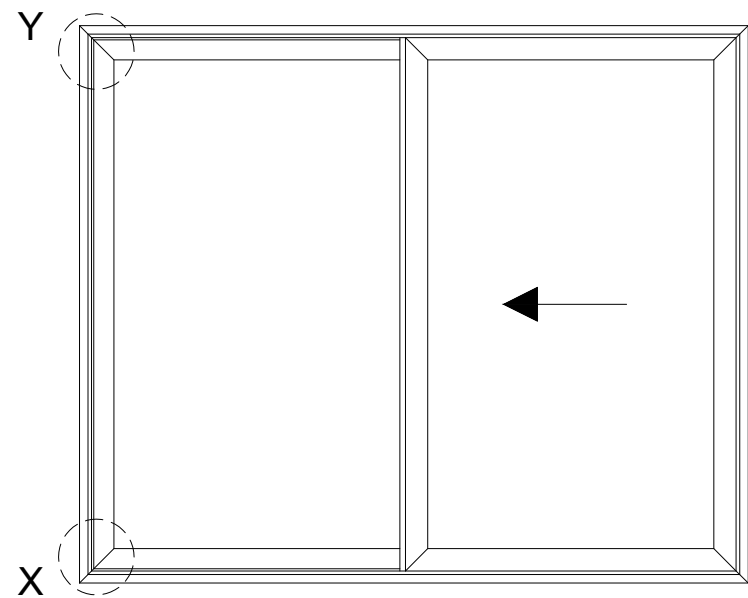
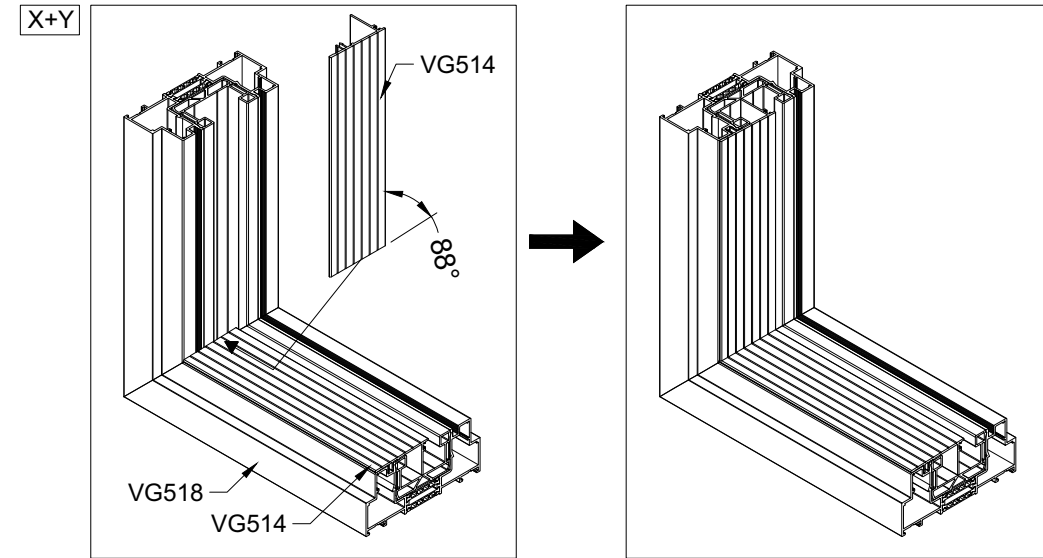
MONTAGE_ACVG545.idw

AFDEKPROFIELEN: OPTIE A = VG1514 / OPTIE B = VG514
 PROFILE DE RECOUVREMENT: OPTIE A = VG1514 / OPTIE B = VG514
 ABDECKPROFIL: OPTIE A = VG1514 / OPTIE B = VG514
 COVERING PROFILE: OPTIE A = VG1514 / OPTIE B = VG514

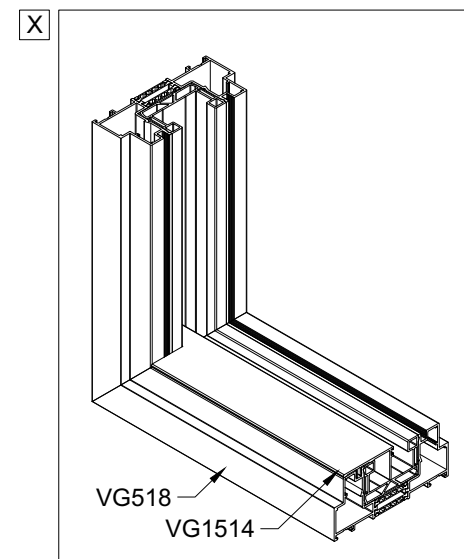
AFDEKPROFIEL BUITENKADER - optie A
 PROFILE DE RECOUVREMENT DORMANT - option A
 ABDECKPROFIL BLENDRAHMEN - option A
 COVERING PROFILE OUTER FRAME - option A



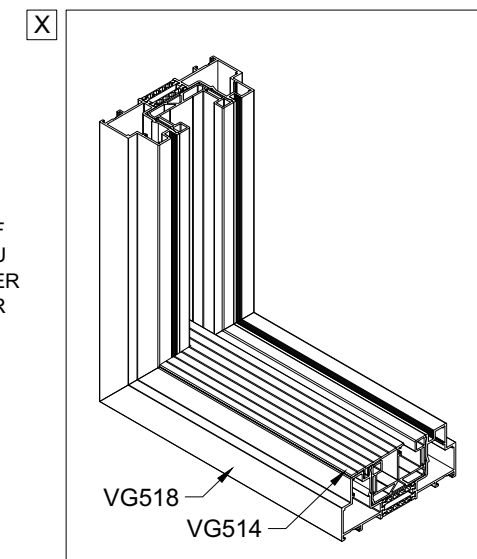
AFDEKPROFIEL BUITENKADER - optie B
 PROFILE DE RECOUVREMENT DORMANT - option B
 ABDECKPROFIL BLENDRAHMEN - option B
 COVERING PROFILE OUTER FRAME - option B



AFDEKPROFIEL BUITENKADER - optie C - enkel onderaan
 PROFILE DE RECOUVREMENT DORMANT - option C - seulement en dessous
 ABDECKPROFIL BLENDRAHMEN - option C - nur unten
 COVERING PROFILE OUTER FRAME - option C - only at the bottom

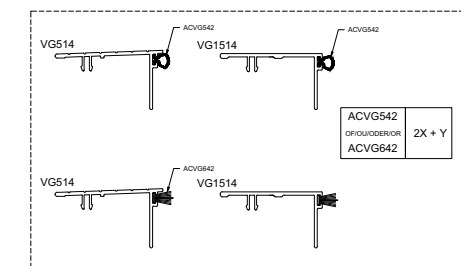
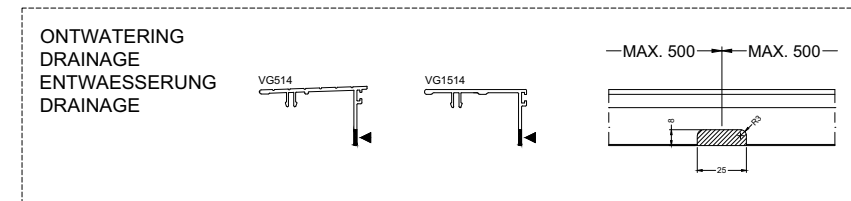
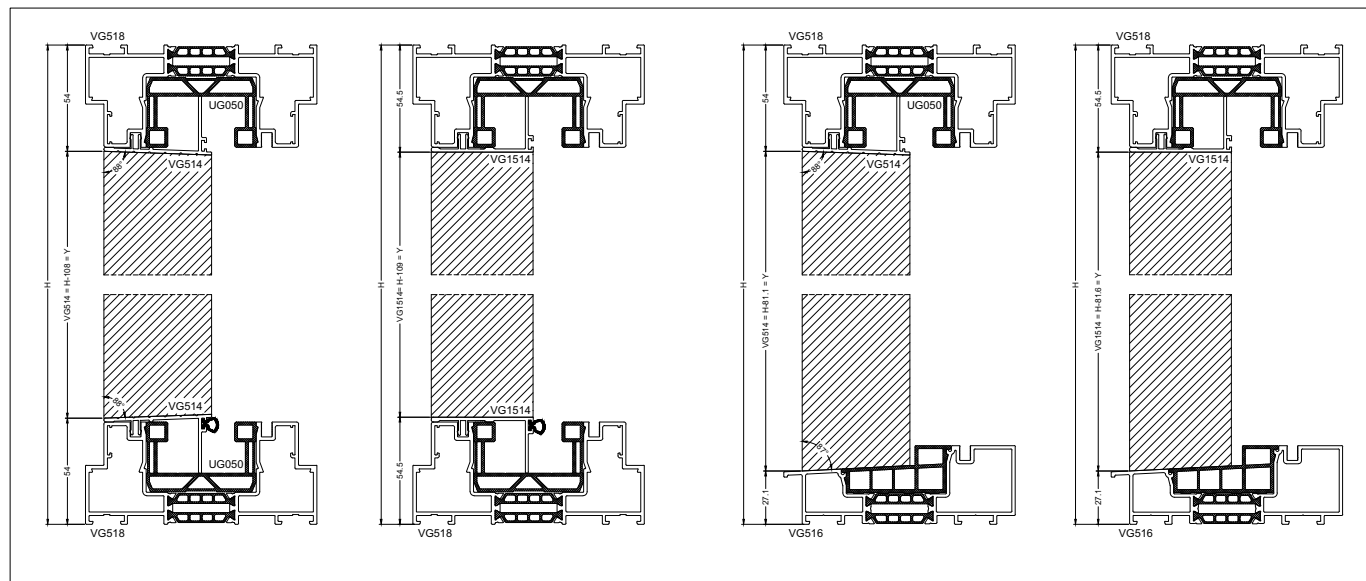
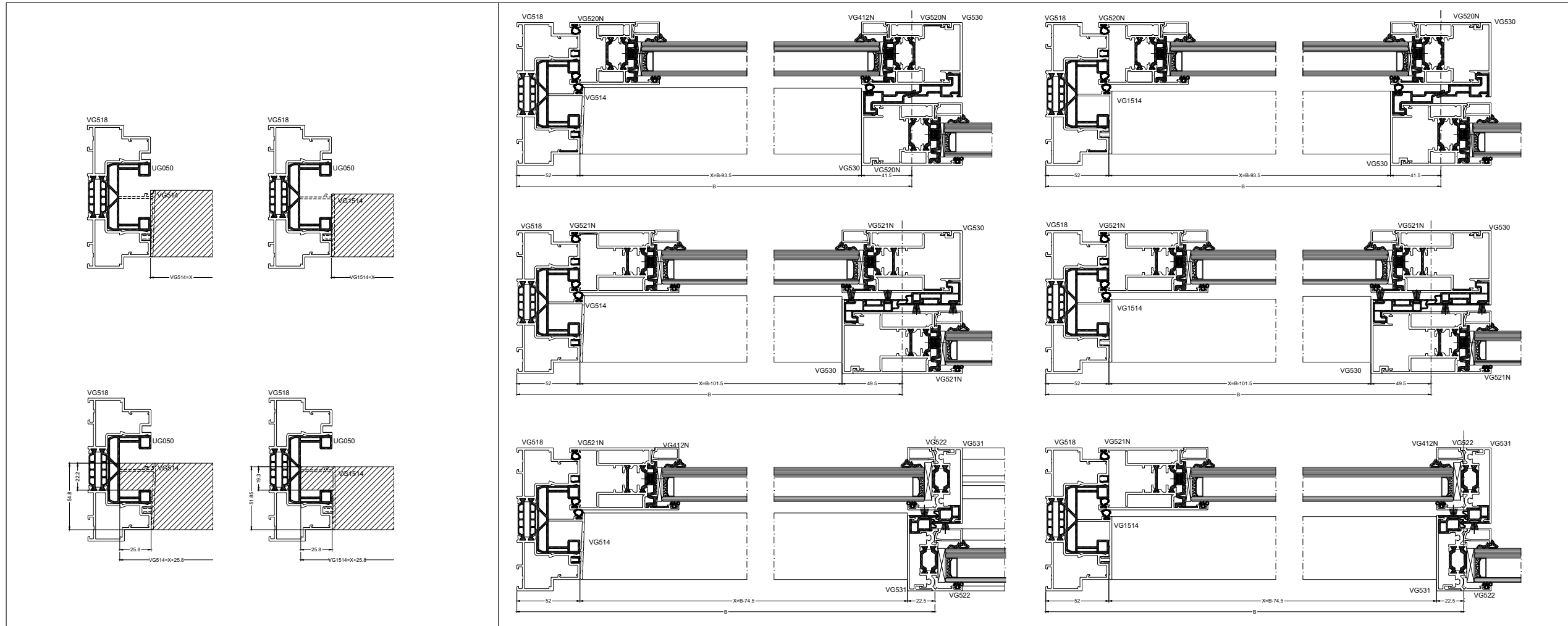


OF
 OU
 ODER
 OR



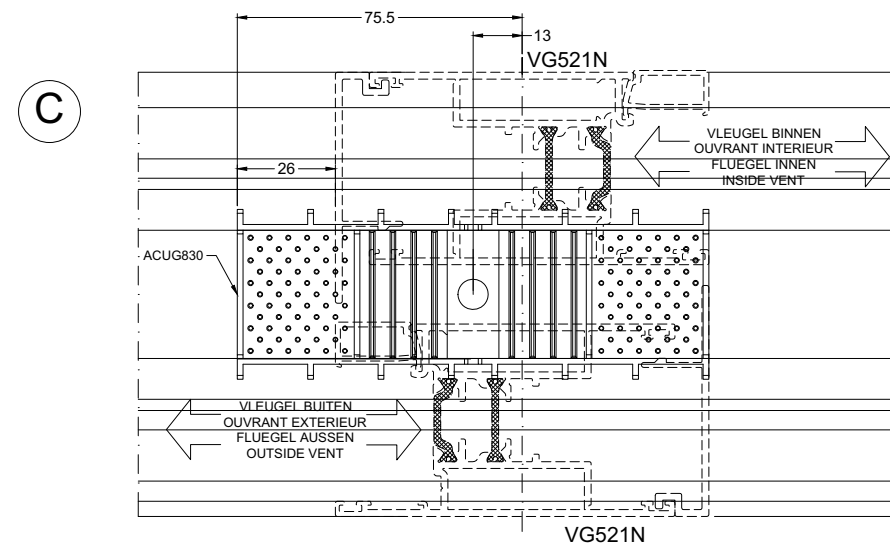
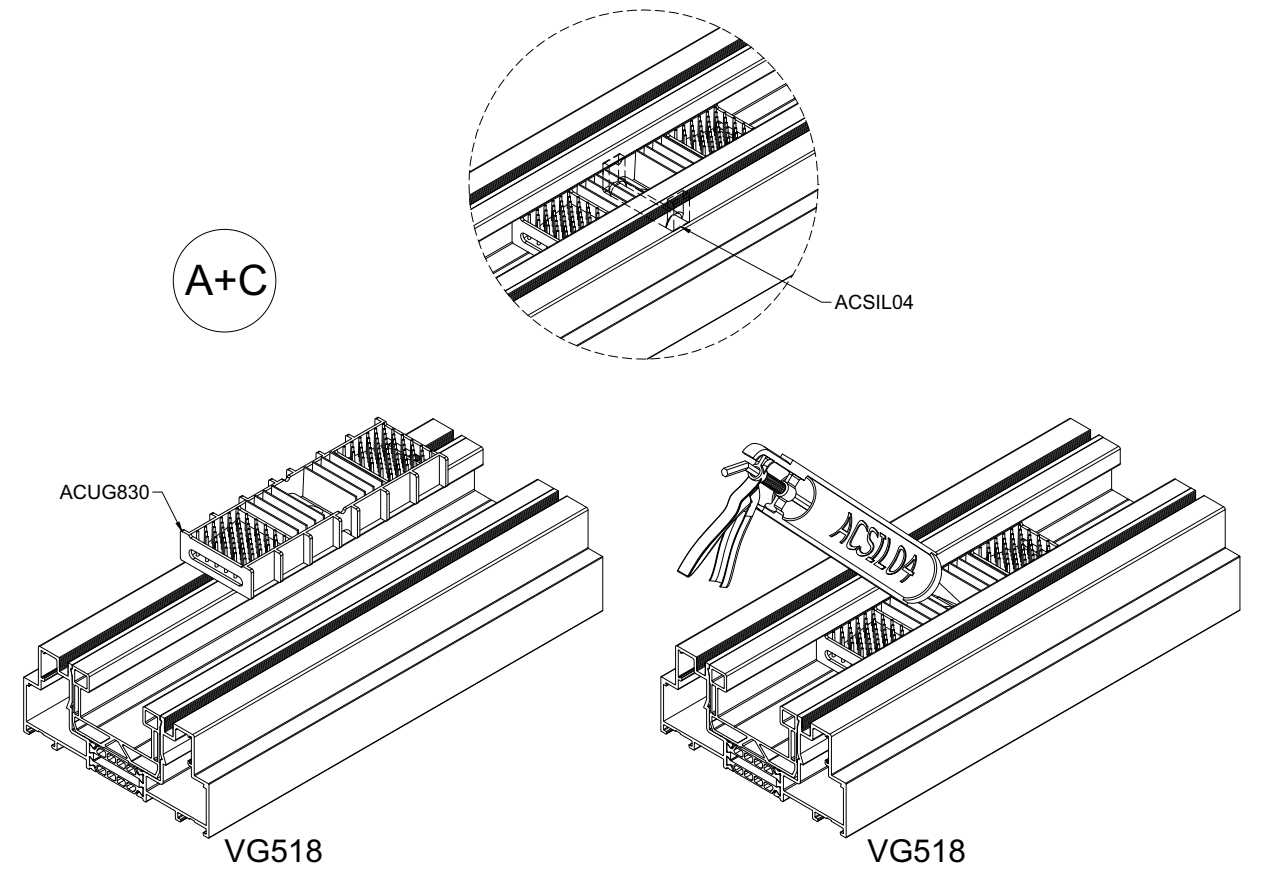
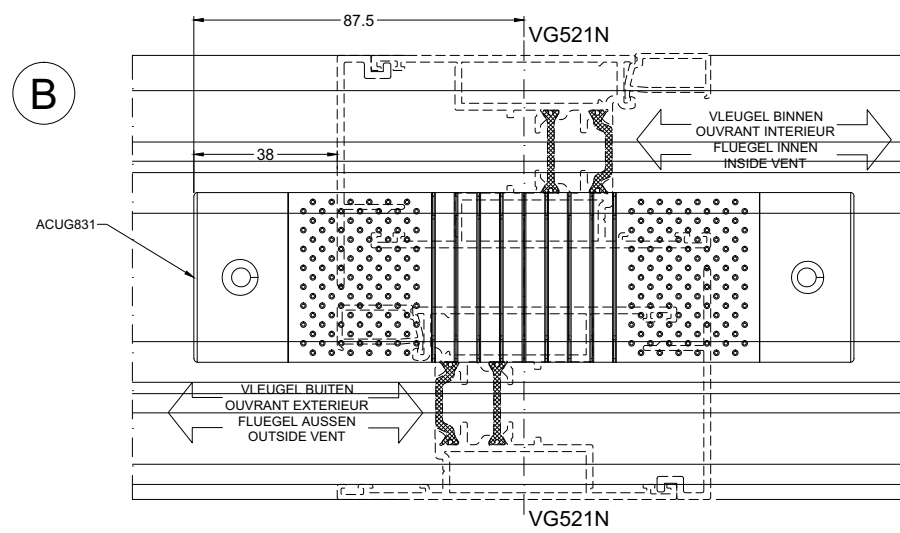
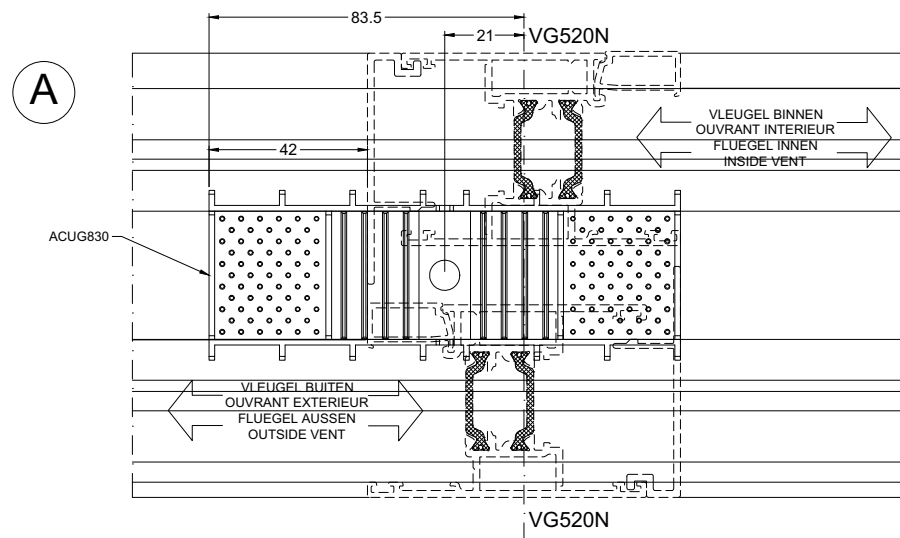
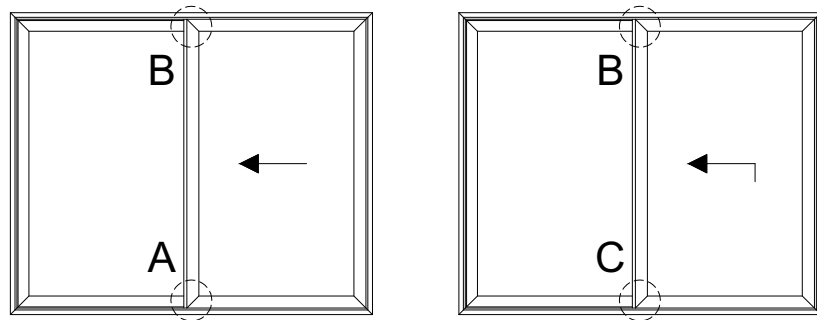
VG500

VG514/VG1514
 VG514/VG1514
 VG514/VG1514
 VG514/VG1514



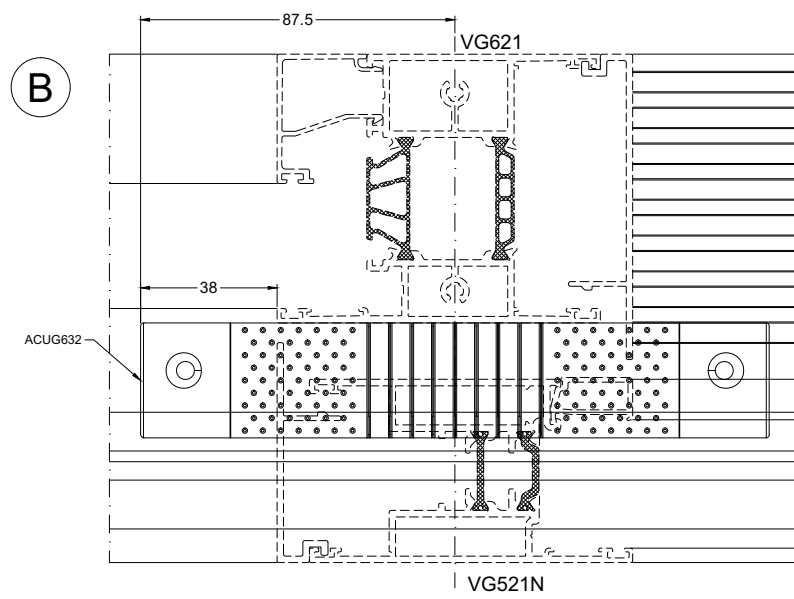
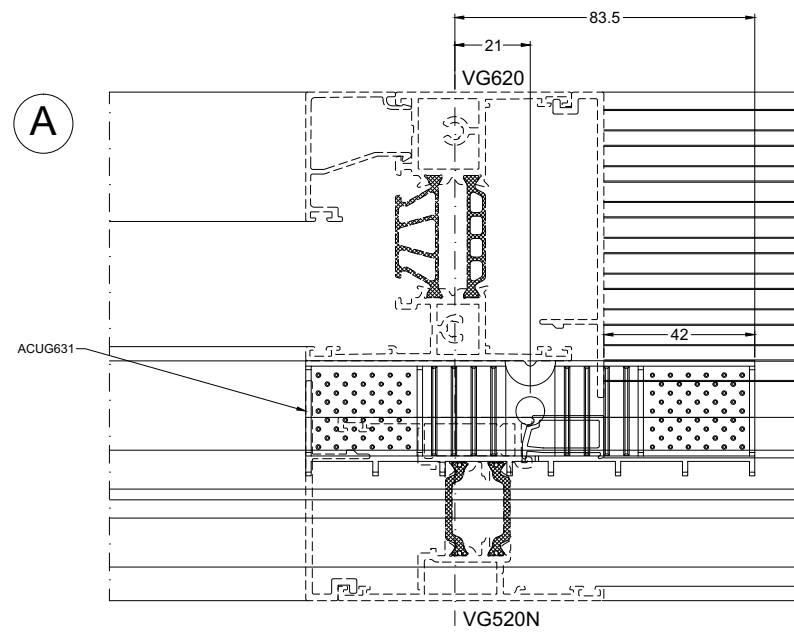
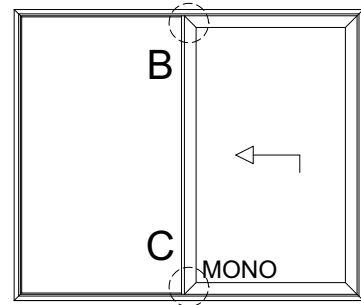
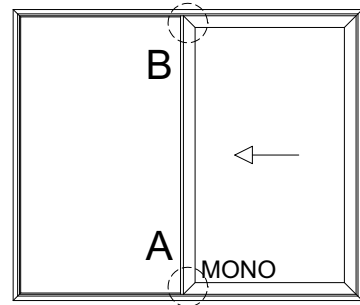
VG514-VG1514 - NEW

AFDICHTING
FERMETURE
ABDICHTUNG
CLOSER

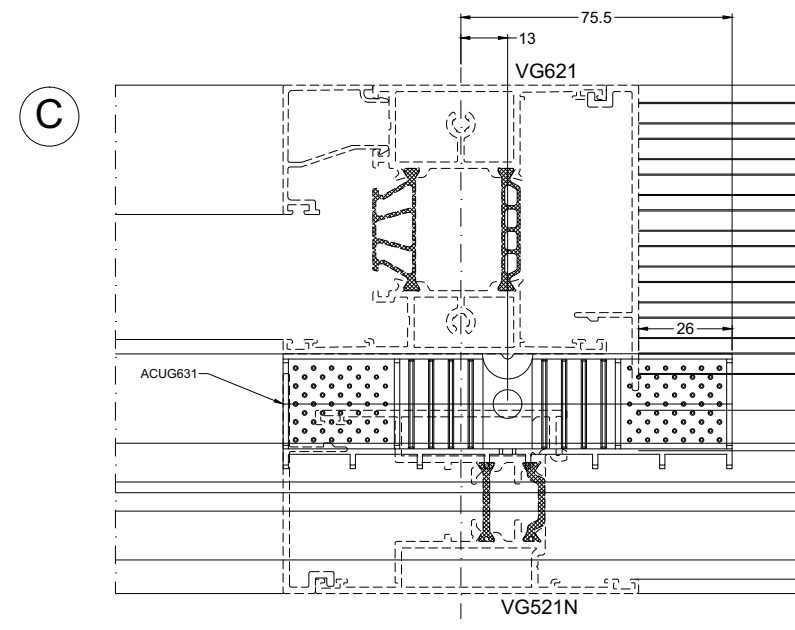
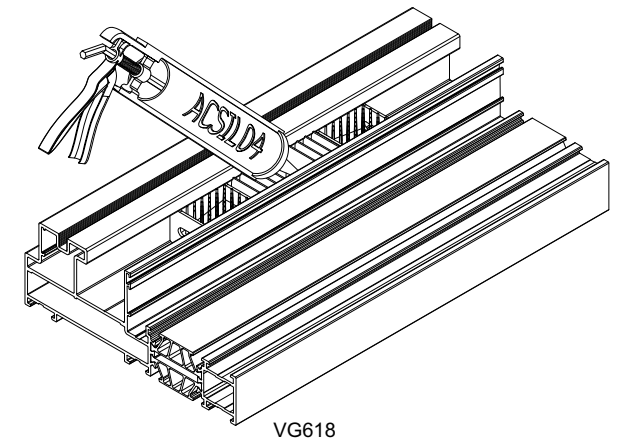
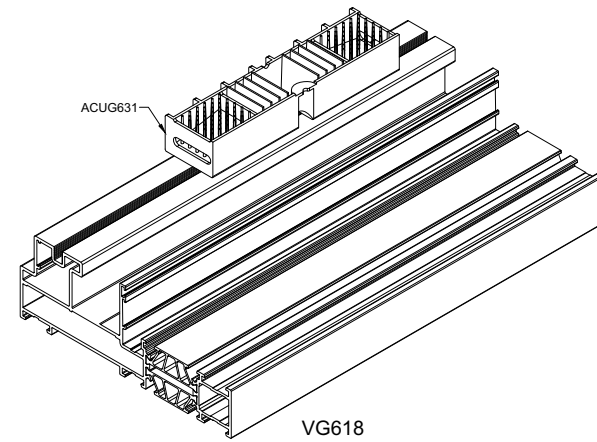
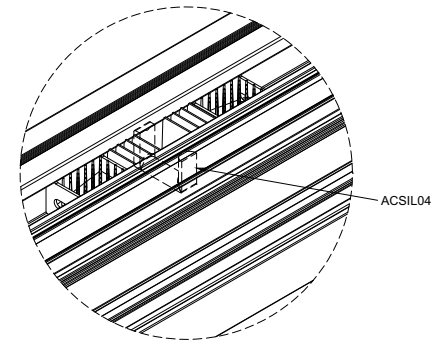


VG500

AFDICHTING
FERMETURE
ABDICHTUNG
CLOSER

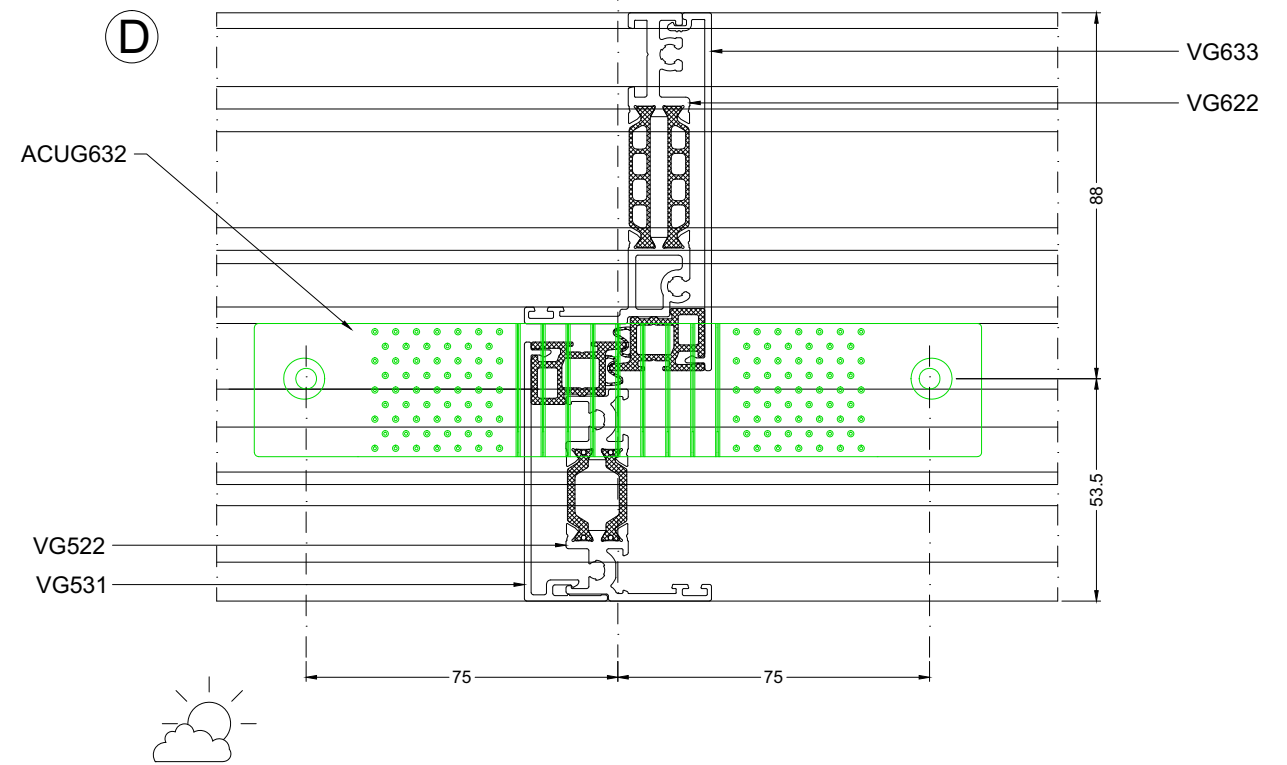
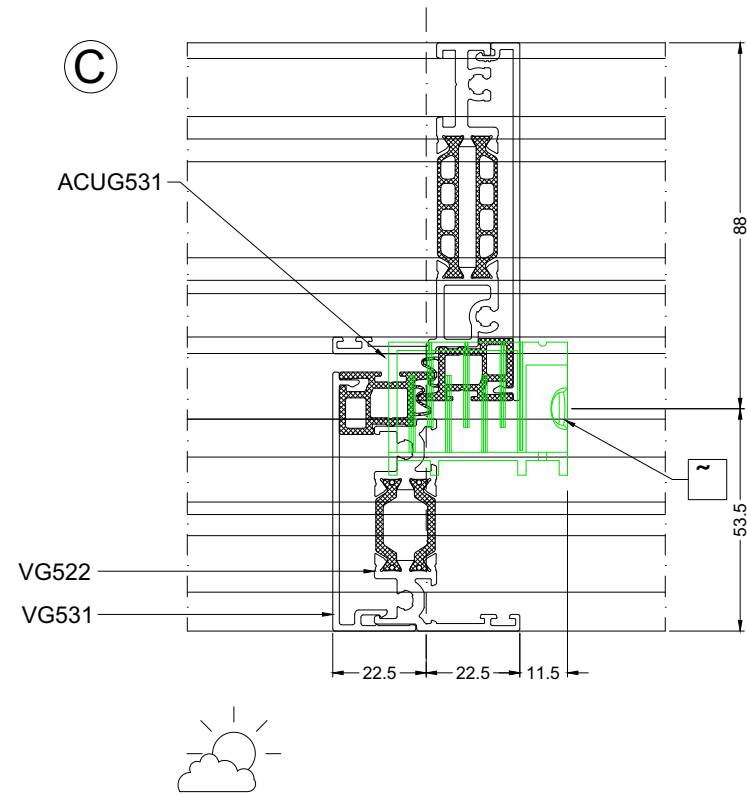
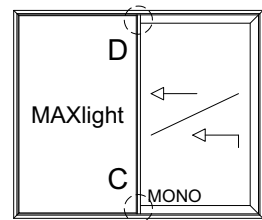
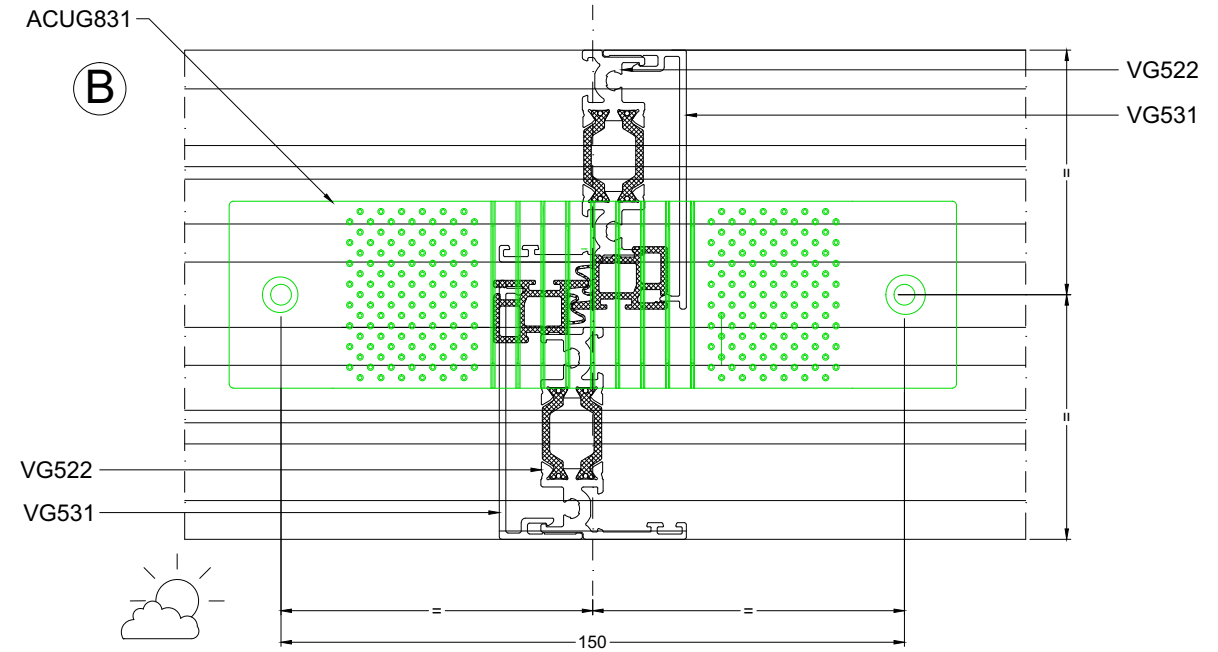
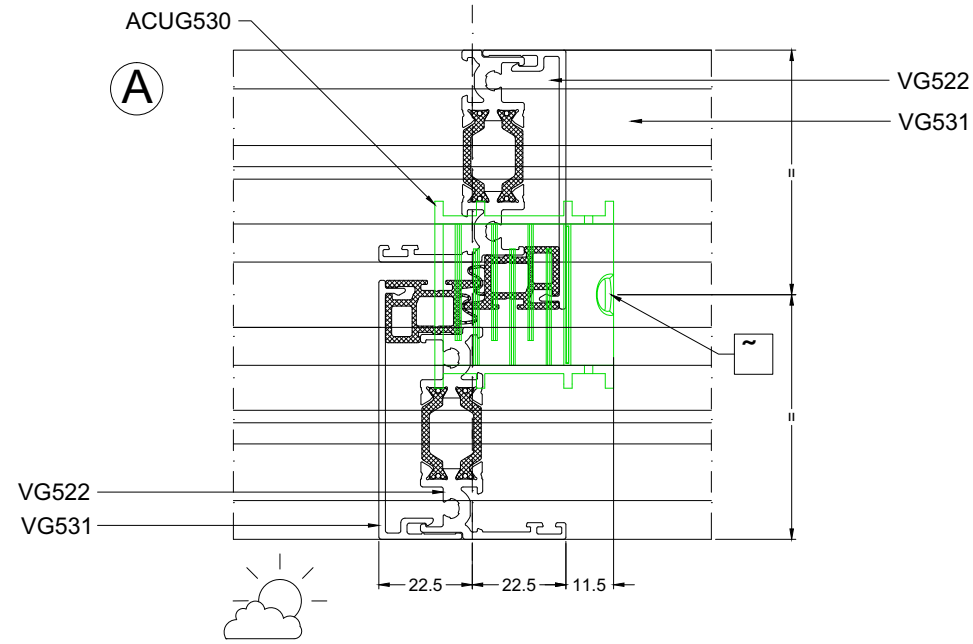
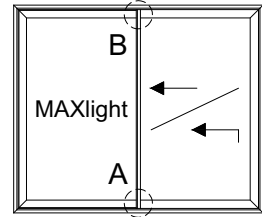


A+C



CENTRAL_CLOSER2

AFDICHTING
FERMETURE
ABDICHTUNG
CLOSER



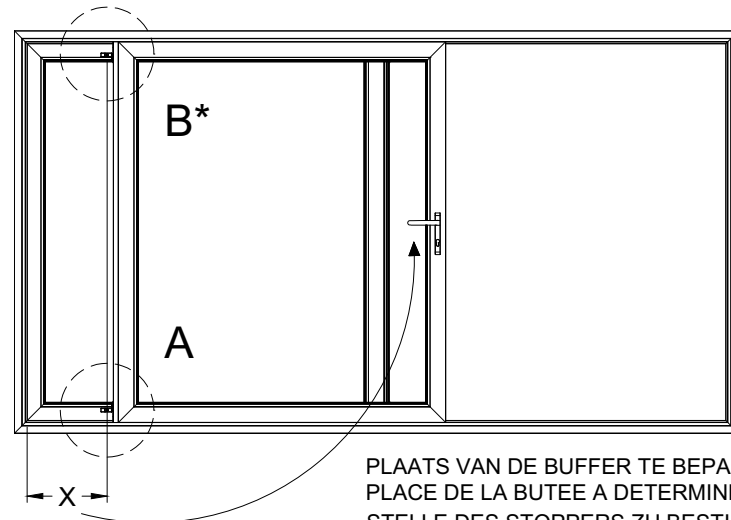
CENTRAL_CLOSER_MAXLIGHT

aliplast
member of

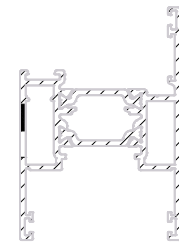
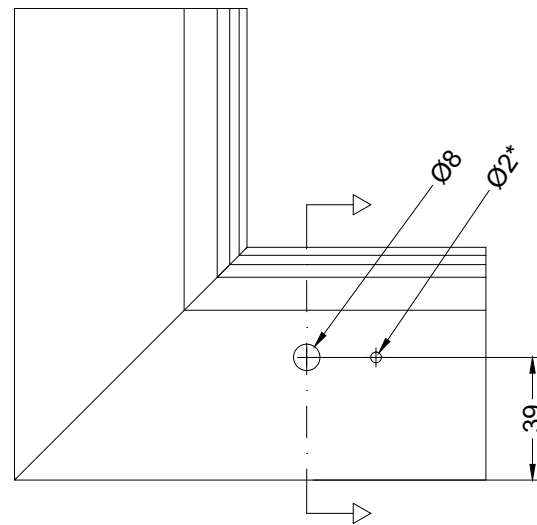


VG500

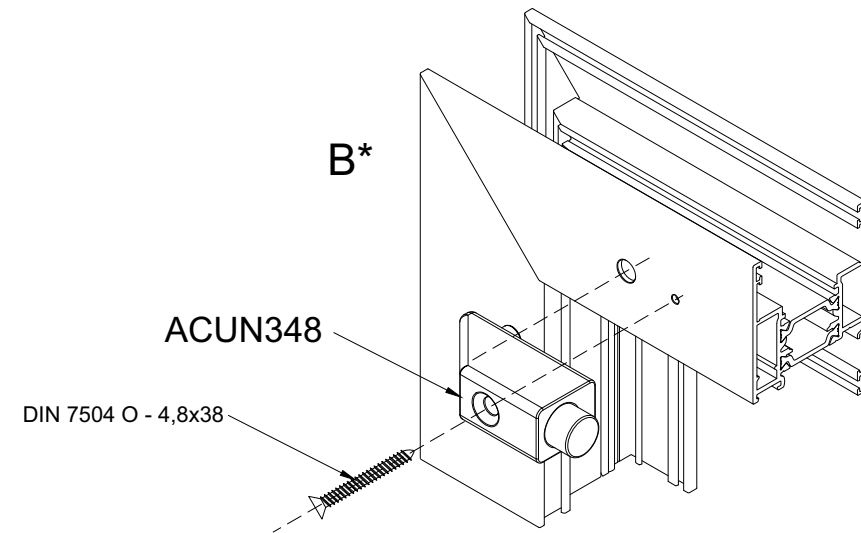
MONTAGE ACUN348
 ASSEMBLAGE ACUN348
 MONTAGE ACUN348
 MONTAGE ACUN348



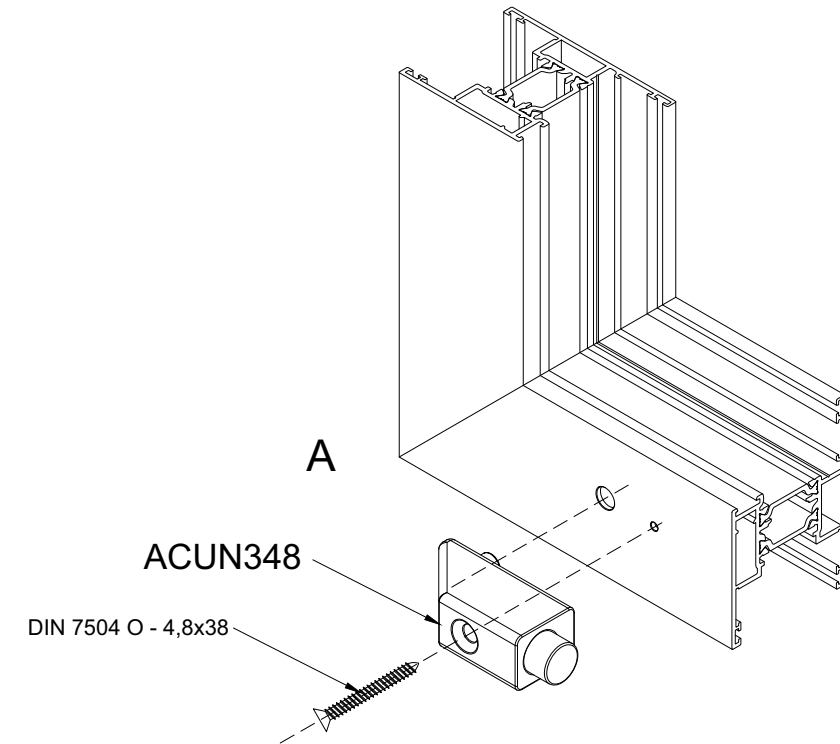
PLAATS VAN DE BUFFER TE BEPALEN MET OPEN VLEUGEL
 PLACE DE LA BUTEE A DETERMINER AVEC OUVRANT OUVERT
 STELLE DES STOPPERS ZU BESTIMMEN MIT GEÖFFNETEM FLÜGEL
 PLACE OF BUFFER TO DETERMINE WITH OPEN VENT



VG520N



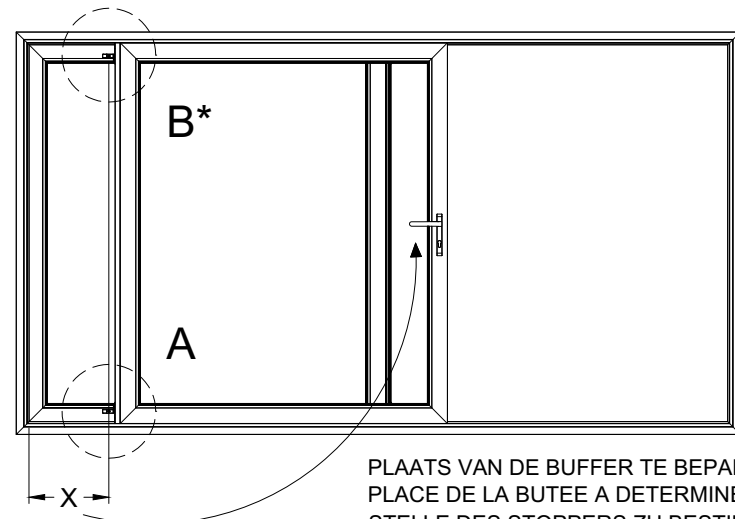
VG520N



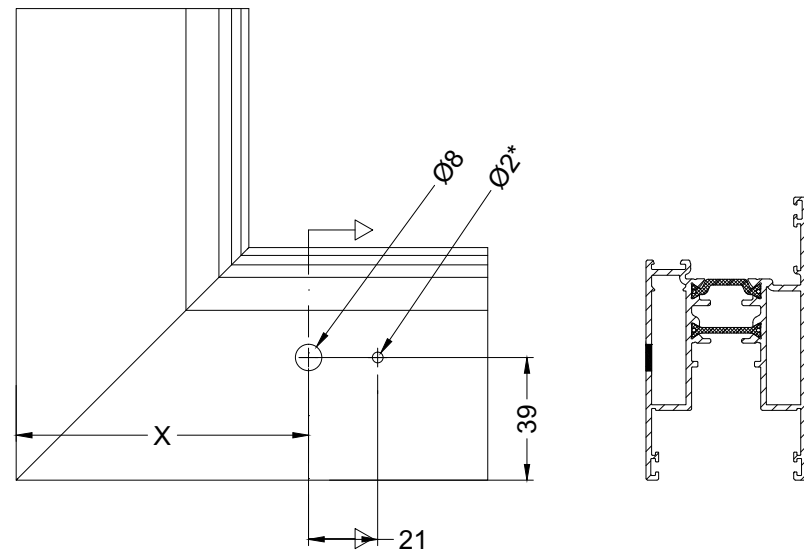
VG520N

*OPTIONEEL
 *FACULTATIF
 *OPTIONAL
 *OPTIONAL

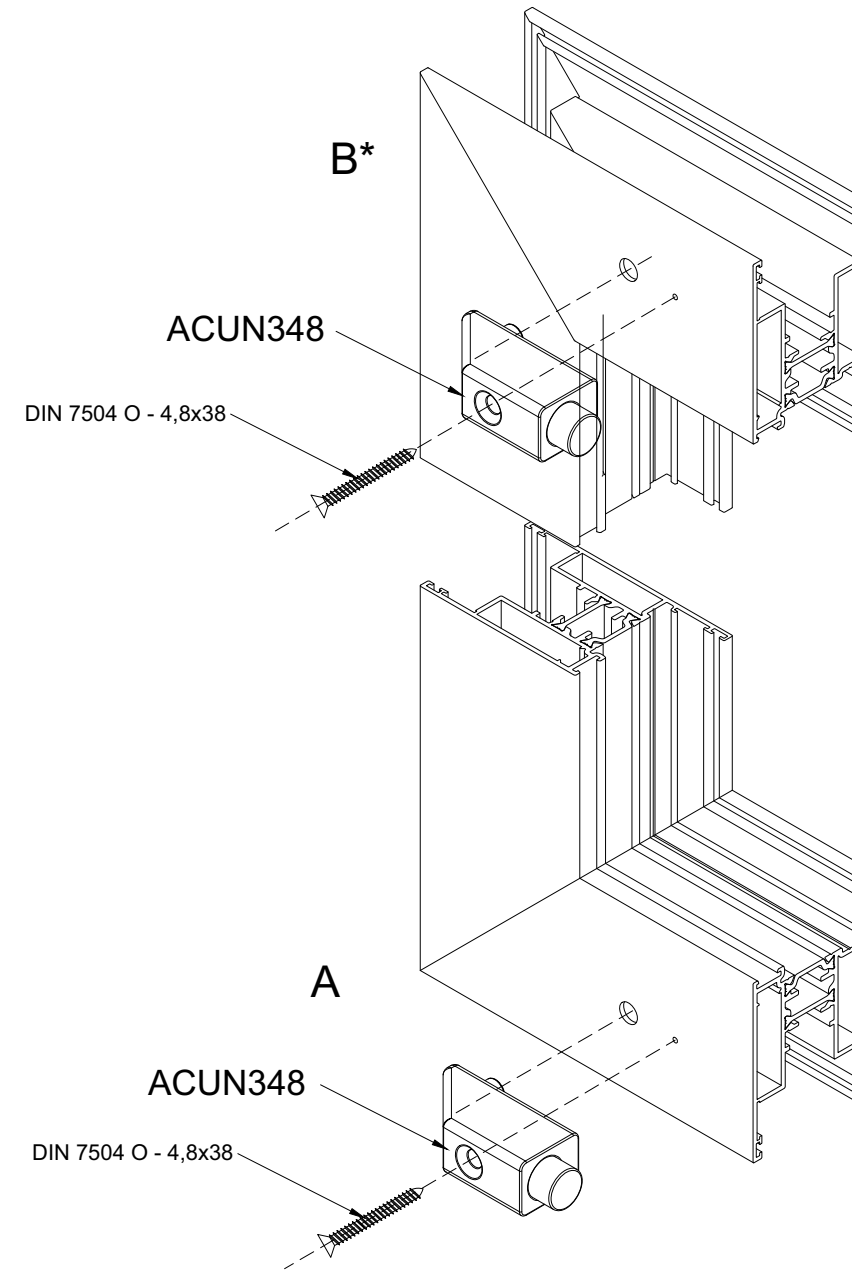
MONTAGE ACUN348



PLAATS VAN DE BUFFER TE BEPALEN MET OPEN VLEUGEL
 PLACE DE LA BUTEE A DETERMINER AVEC OUVRANT OUVERT
 STELLE DES STOPPERS ZU BESTIMMEN MIT GEÖFFNETEM FLÜGEL
 PLACE OF BUFFER TO DETERMINE WITH OPEN VENT



VG521N



VG521N

VG521N

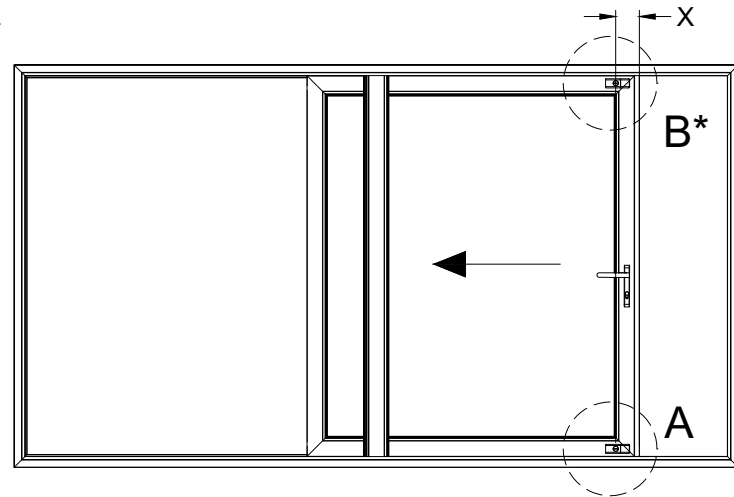
*OPTIONEEL
 *FACULTATIF
 *OPTIONAL
 *OPTIONAL

MONTAGE_STOOTBUFFER_521

VG500

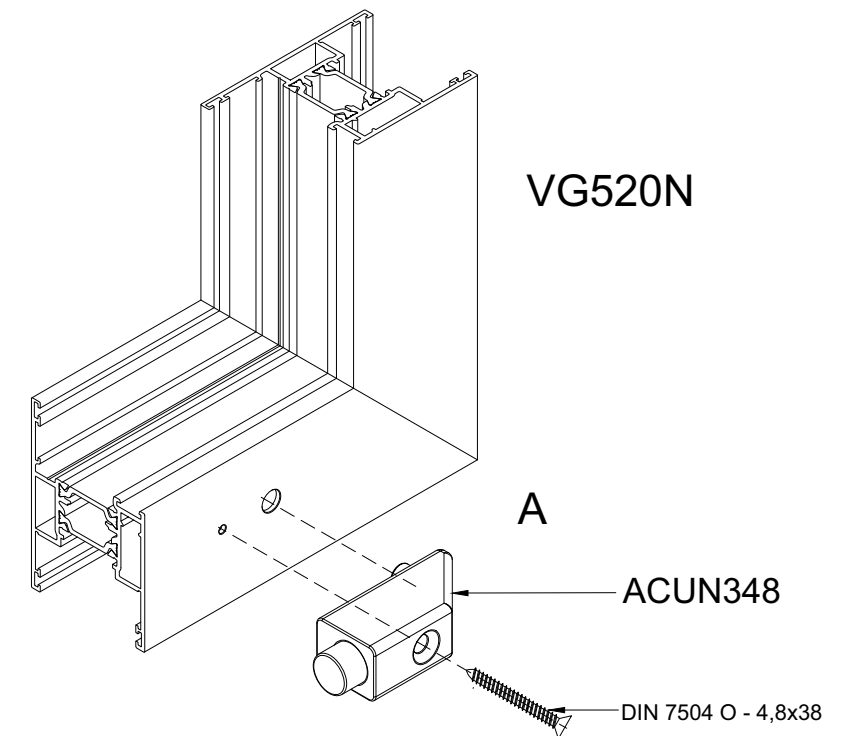
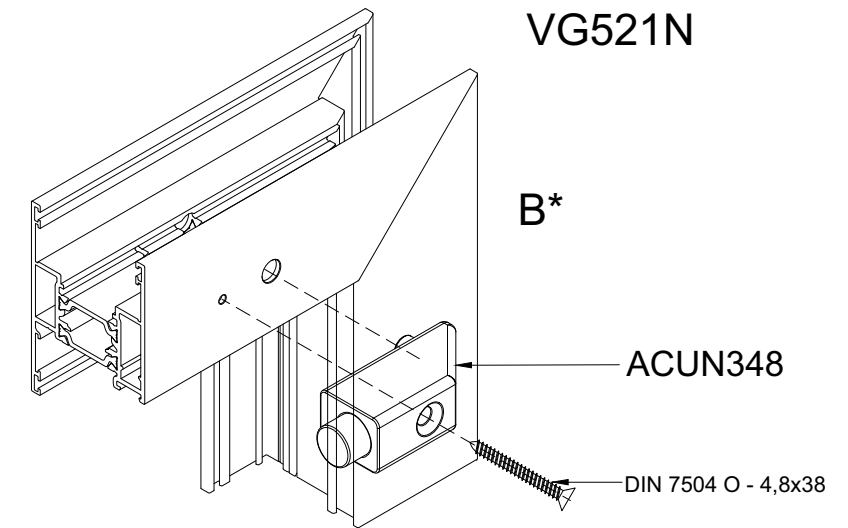
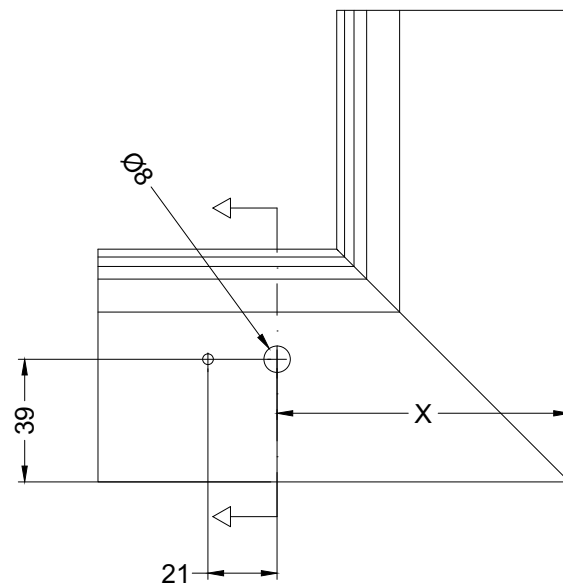
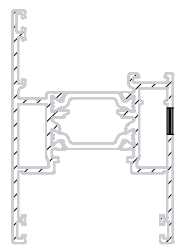
MONTAGE ACUN348

BINNENAANZICHT
VUE INTERIEURE
INNENANSICHT
INTERIOR VIEW



PLAATS VAN DE BUFFER TE BEPALEN MET OPEN VLEUGEL
PLACE DE LA BUTEE A DETERMINER AVEC OUVRANT OUVERT
STELLE DES STOPPERS ZU BESTIMMEN MIT GEÖFFNETEM FLÜGEL
PLACE OF BUFFER TO DETERMINE WITH OPEN VENT

VG520N

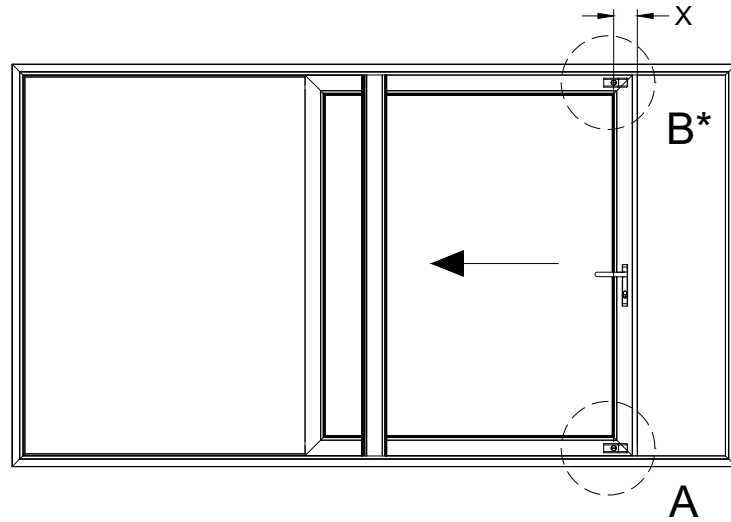


*OPTIONEEL
*FACULTATIF
*OPTIONAL
*OPTIONAL

MONTAGE_STOOTBUFFER_618

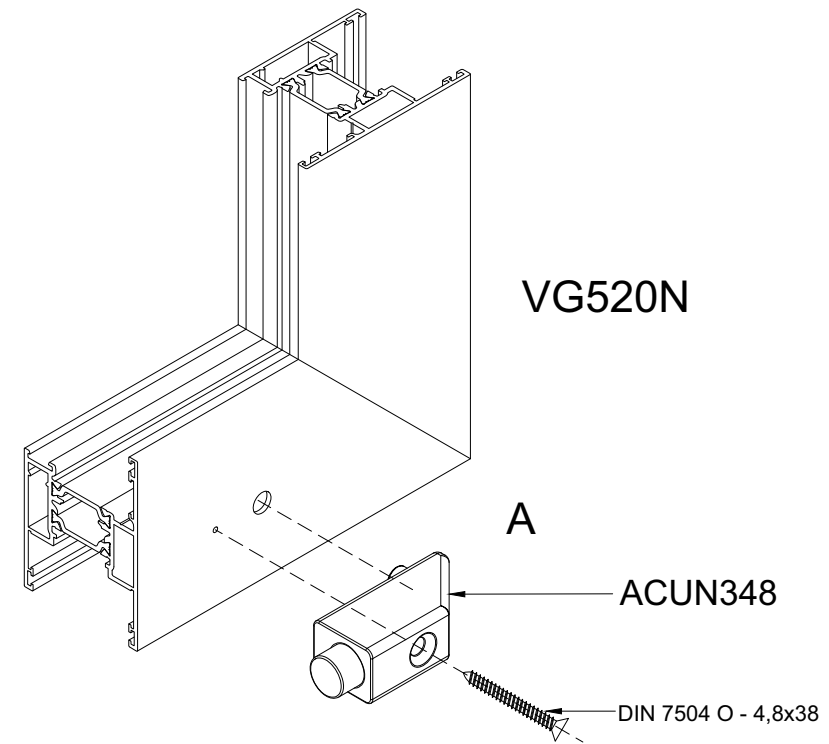
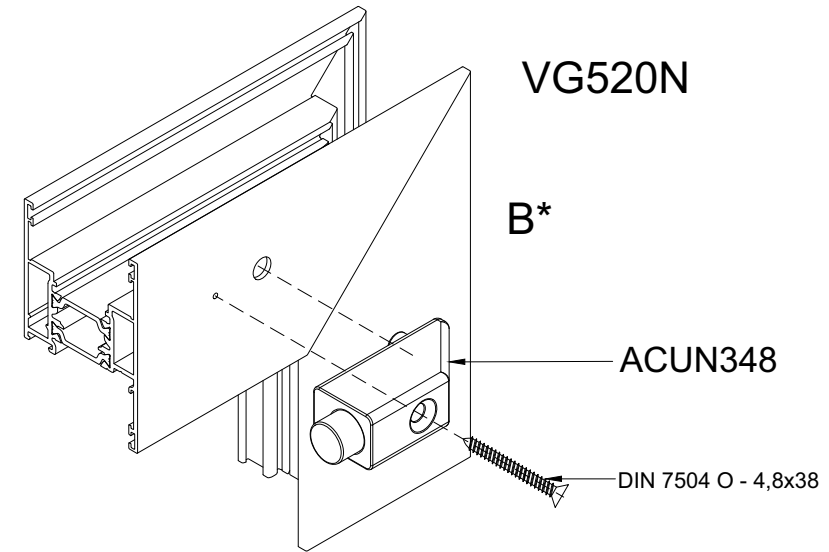
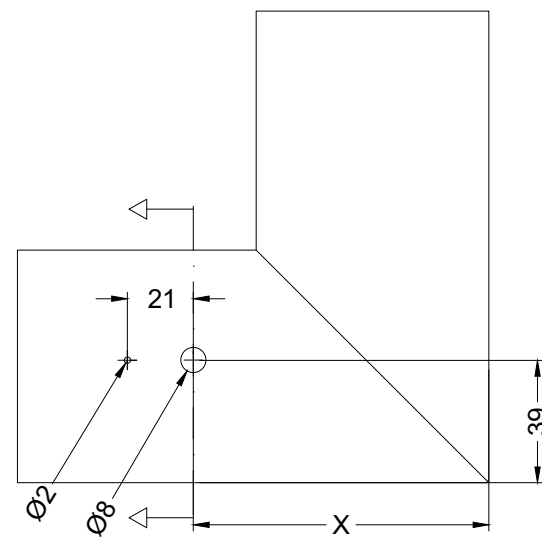
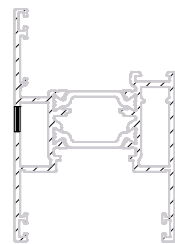
MONTAGE ACUN348

BUITENAANZICHT
VUE EXTERIEURE
AUBENANSICHT
EXTERIOR VIEW



PLAATS VAN DE BUFFER TE BEPALEN MET OPEN VLEUGEL
PLACE DE LA BUTEE A DETERMINER AVEC OUVRANT OUVERT
STELLE DES STOPPERS ZU BESTIMMEN MIT GEÖFFNETEM FLÜGEL
PLACE OF BUFFER TO DETERMINE WITH OPEN VENT

VG520N

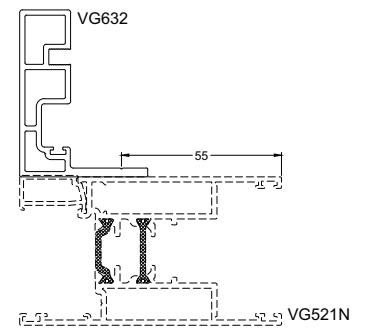
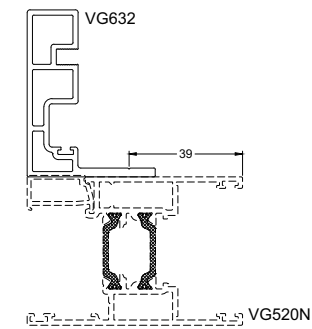
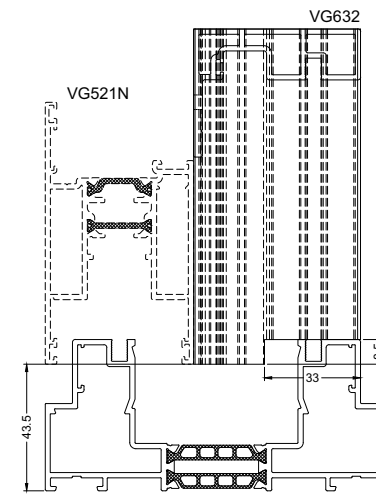
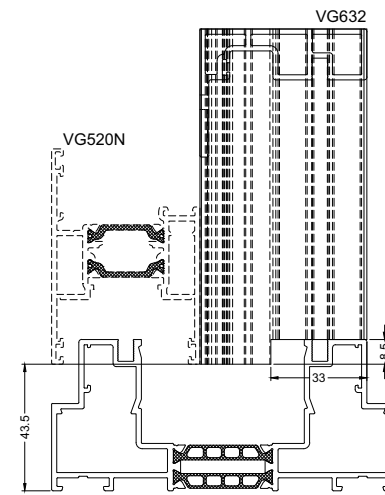
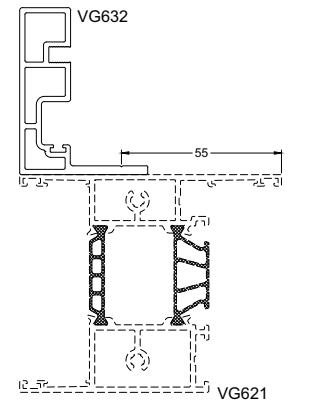
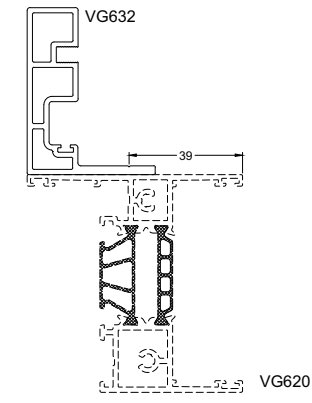
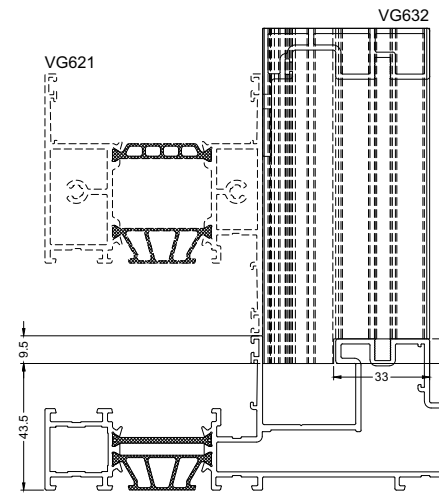
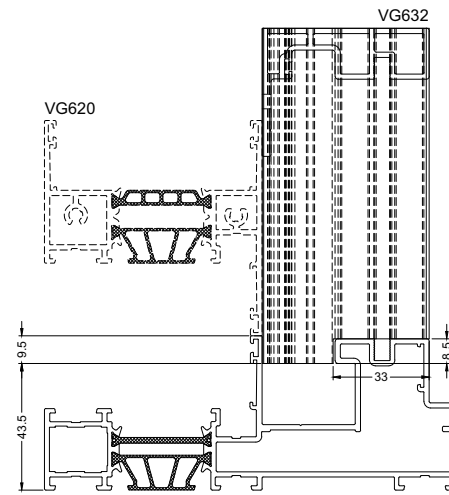
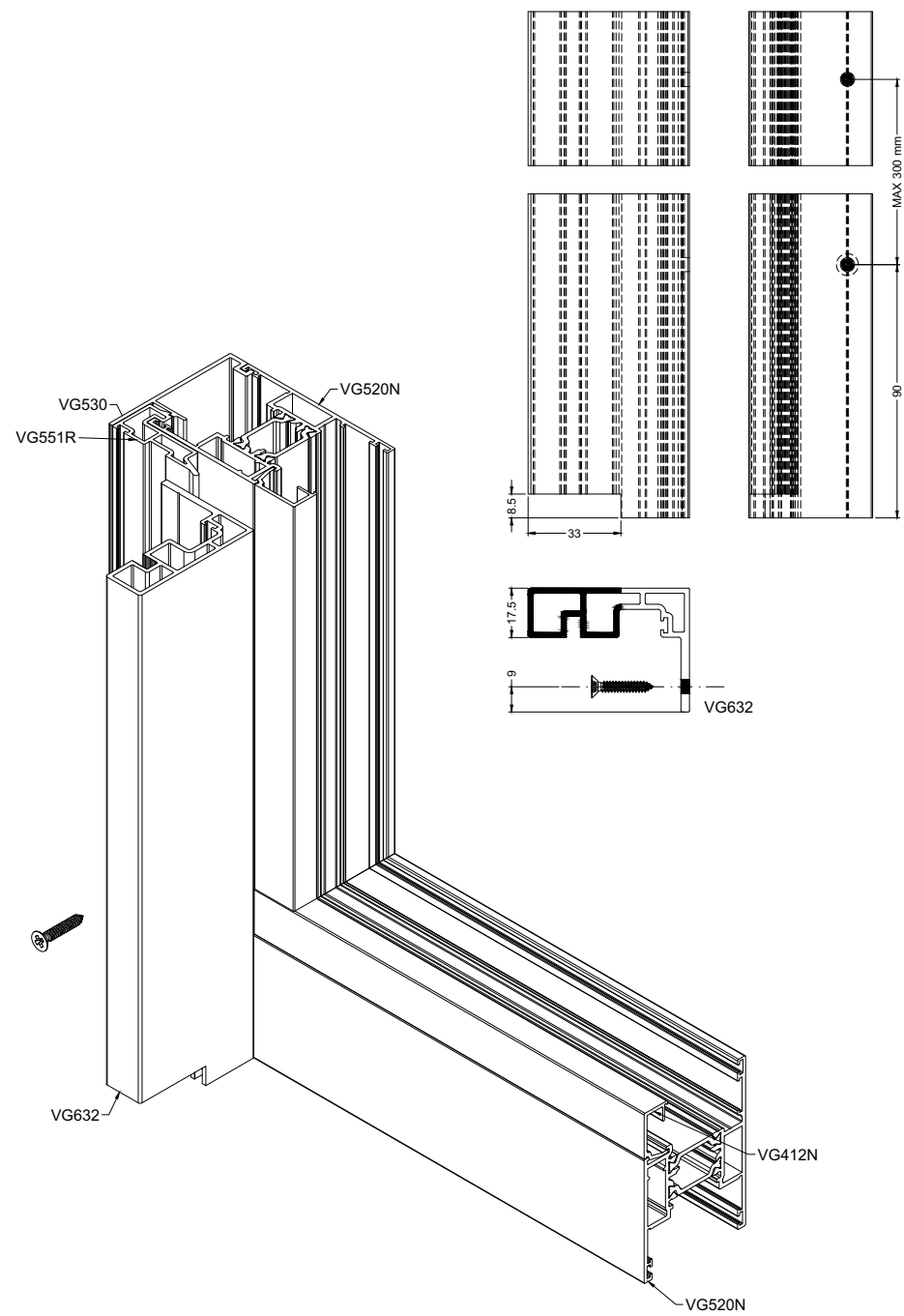


*OPTIONEEL
*FACULTATIF
*OPTIONAL
*OPTIONAL

MONTAGE_STOOTBUFFER_619

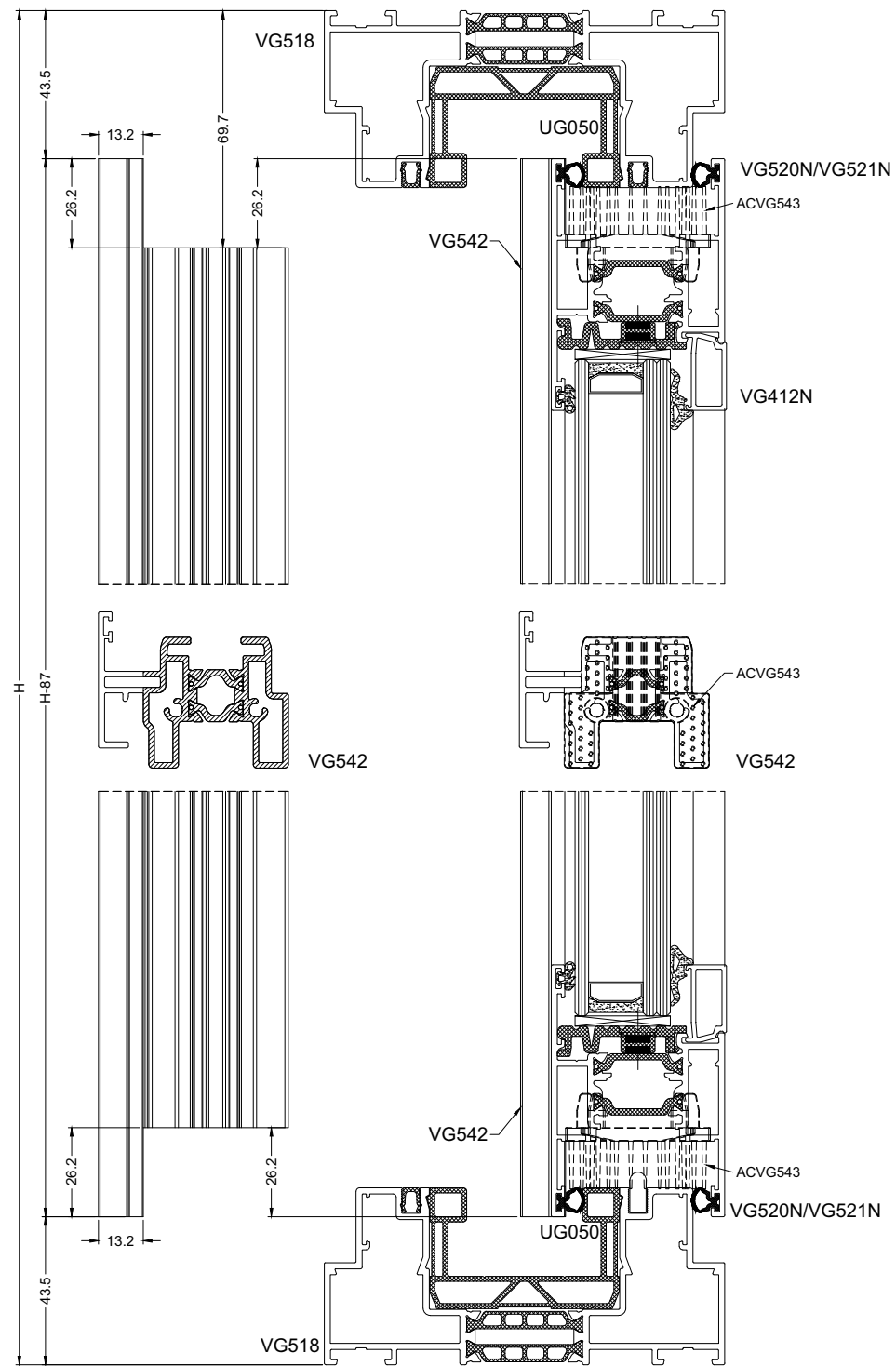
VG500

MONTAGE VG632
 MONTAGE VG632
 MONTAGE VG632
 MONTAGE VG632

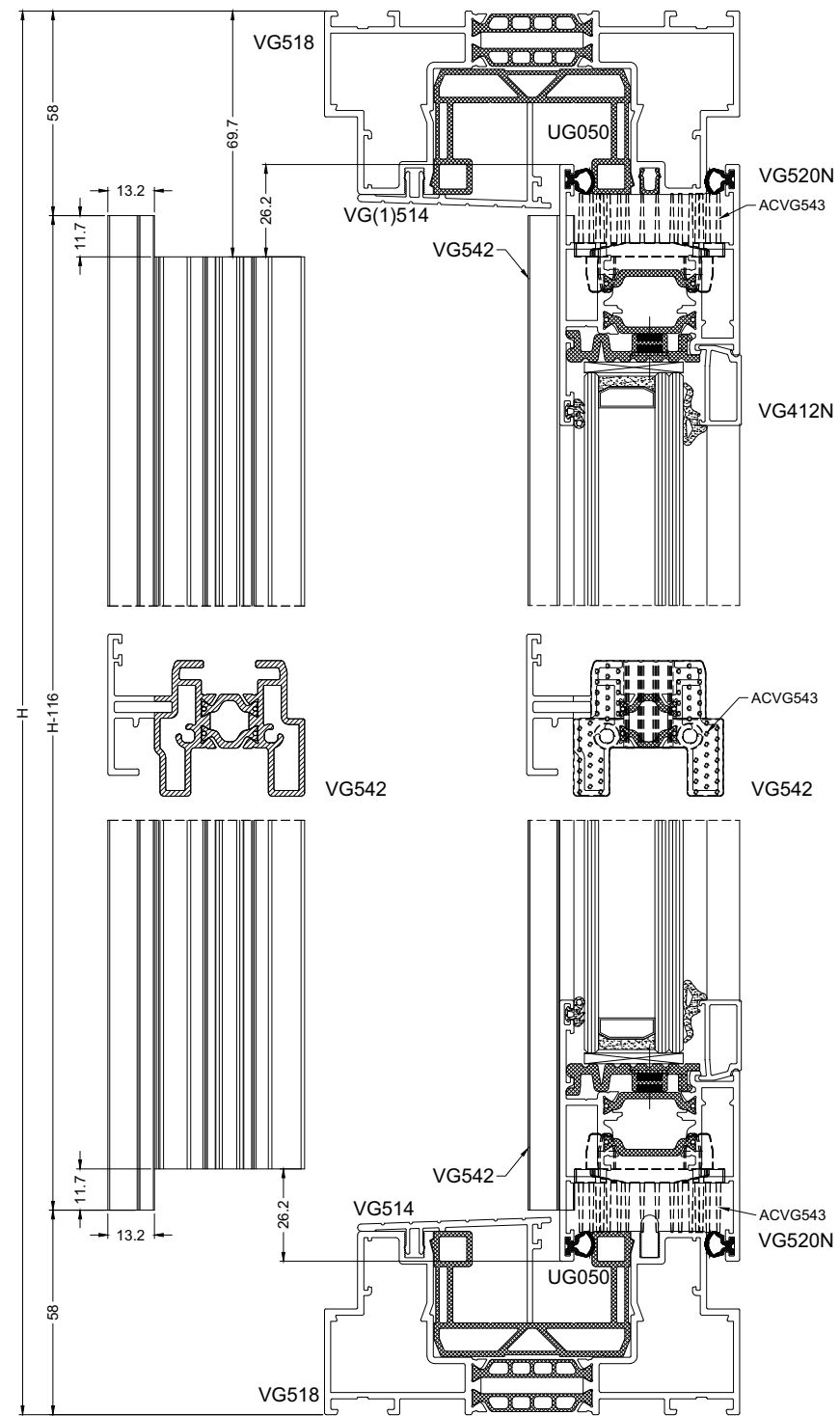


UITWERKEN VG542
 DECOUPE VG542
 BEARBEITUNG VG542
 OPERATION VG542

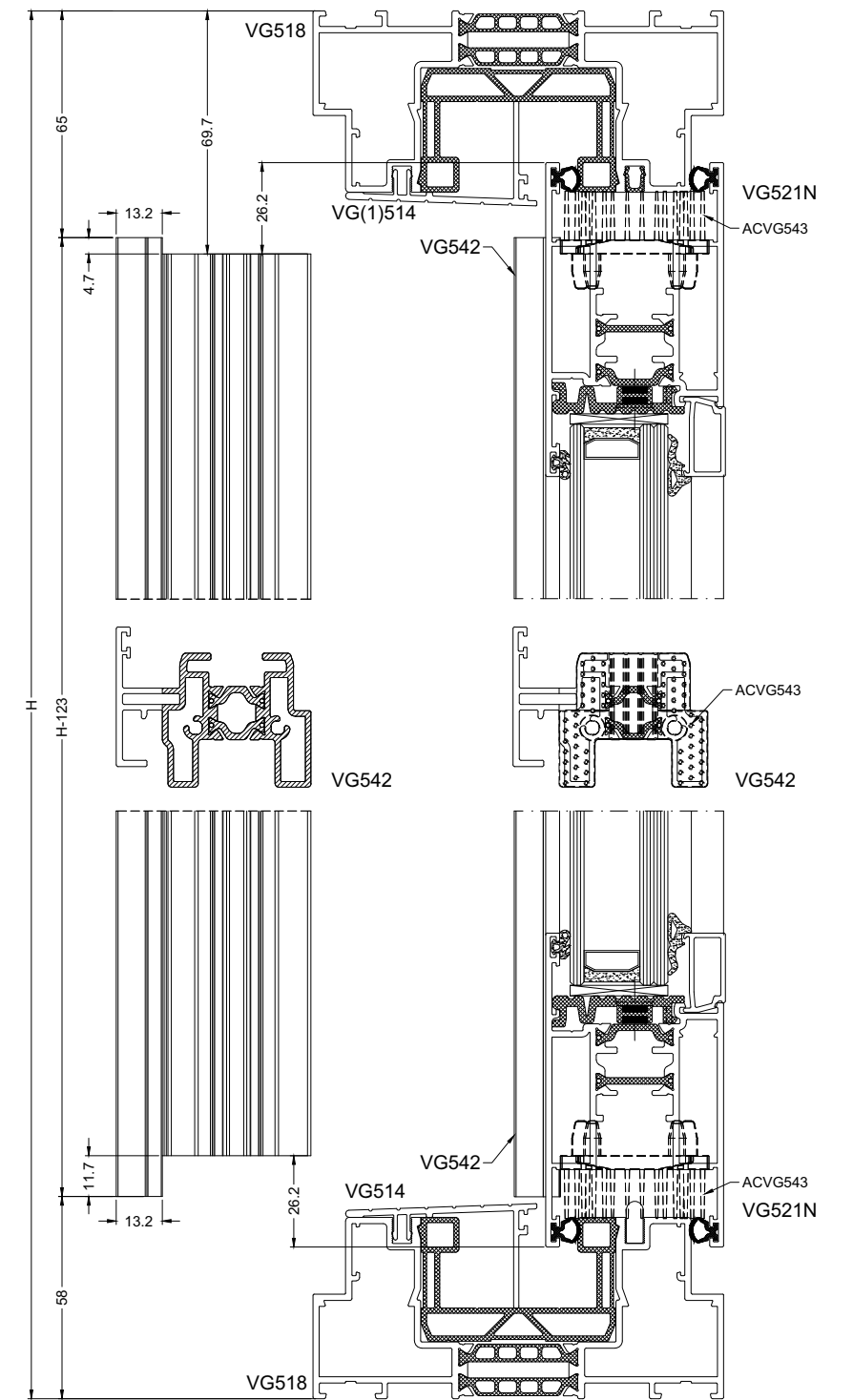
SCHUIF EN HEFSCHUIF ZONDER VG(1)514
 COULISSANT ET SOULEVANT COULISSANT SANS VG(1)514
 SCHIEBE UN HEBESCHIEBE OHNE VG(1)514
 SLIDE AND 'LIFT AND SLIDE' WITHOUT VG(1)514



SCHUIF MET VG(1)514
 COULISSANT AVEC VG(1)514
 SCHIEBE MIT VG(1)514
 SLIDE WITH VG(1)514



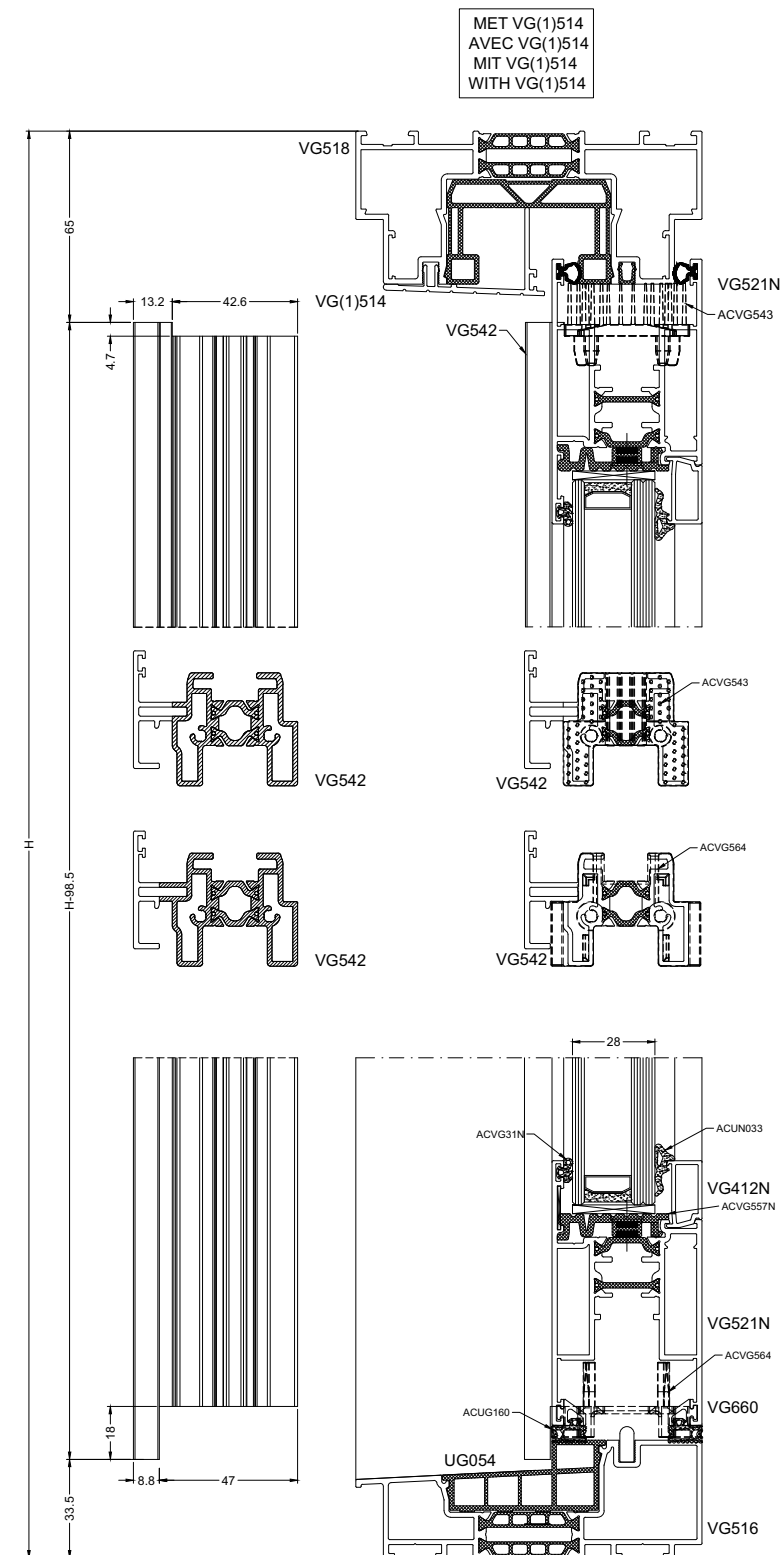
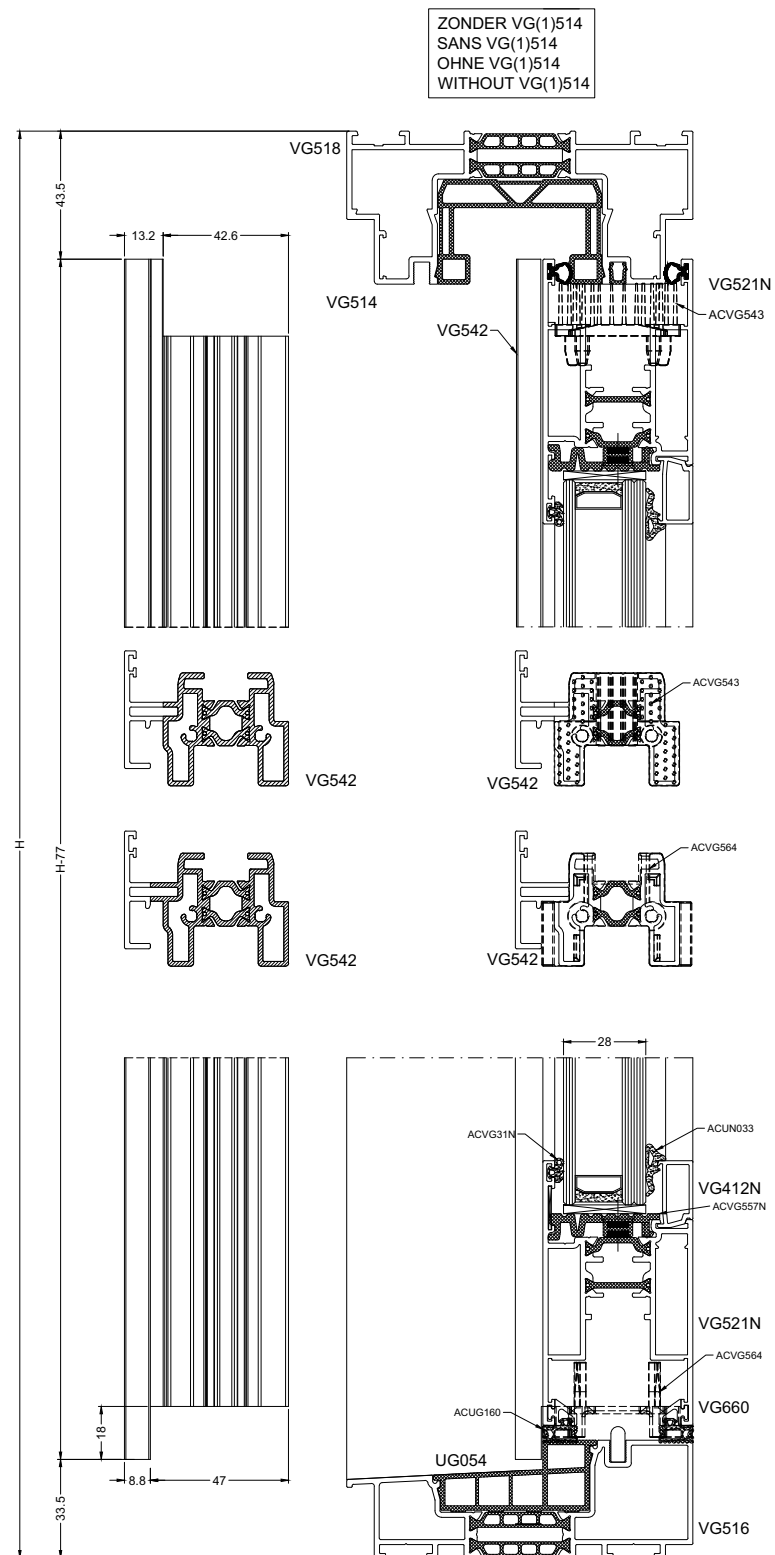
HEFSCHUIF MET VG(1)514
 SOULEVANT COULISSANT AVEC VG(1)514
 HEBESCHIEBE MIT VG(1)514
 LIFT AND SLIDE WITH VG(1)514



VG542

VG500

UITWERKEN VG542
 DECOUPE VG542
 BEARBEITUNG VG542
 OPERATION VG542

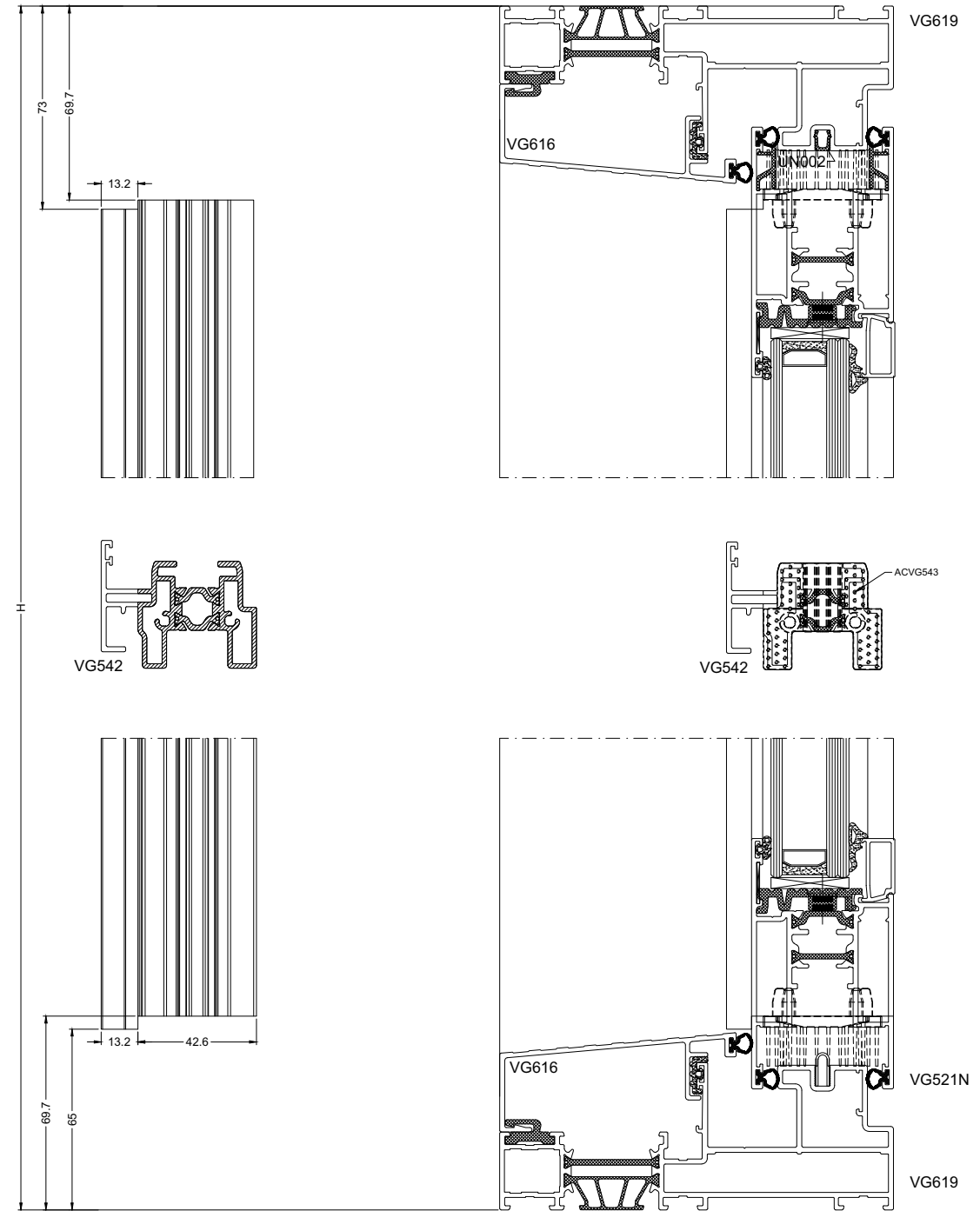
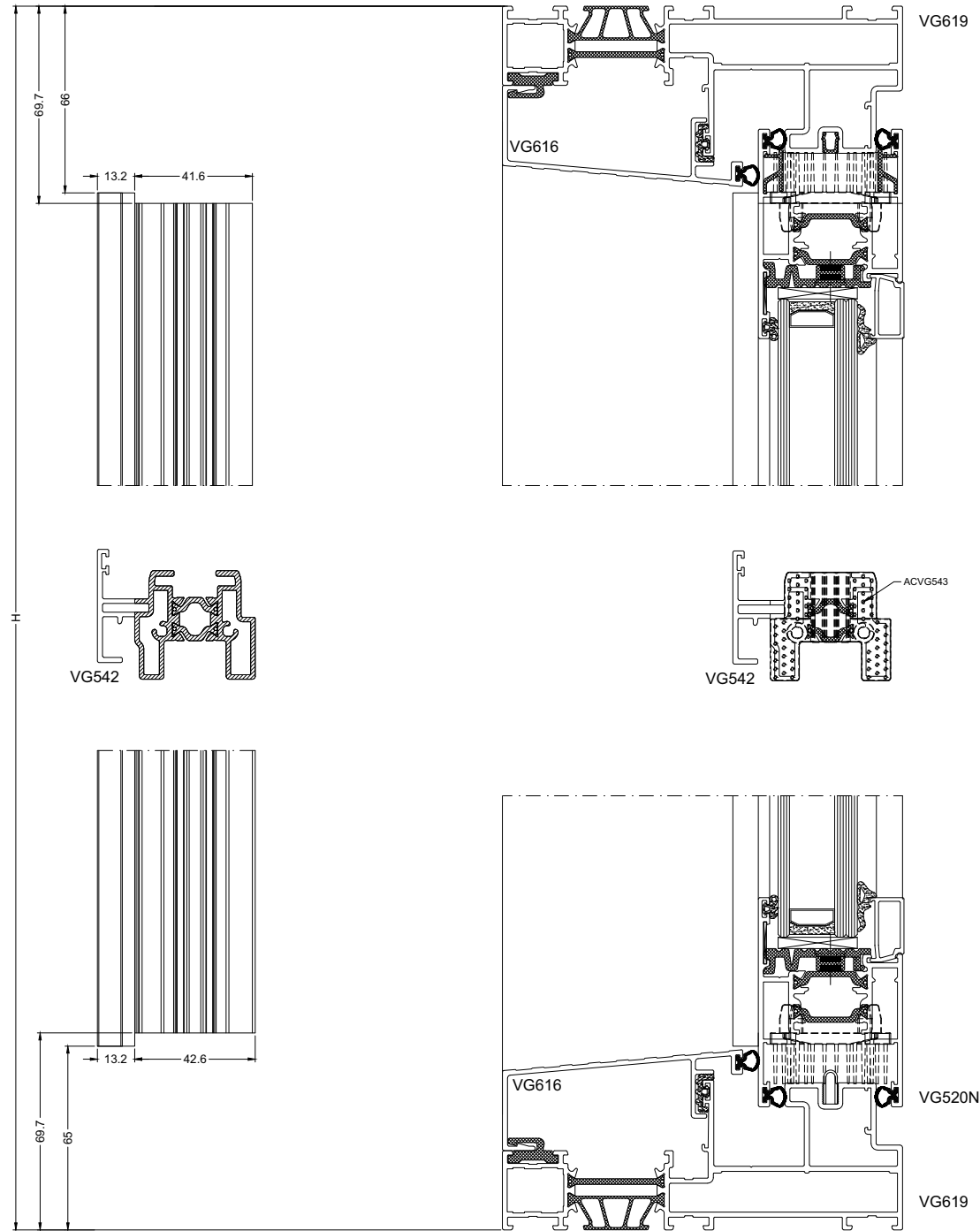


VG542-VLAKKE DORPEL

UITWERKEN VG542
 DECOUPE VG542
 BEARBEITUNG VG542
 OPERATION VG542

MONORAIL BUITENBEGLAZING SCHUIF
 MONORAIL VITRAGE EXTERIEURE COULISSANT
 MONORAIL AUSSENVERGLAZUNG SCHIEBE
 MONORAIL BUITENBEGLAZING SLIDE

MONORAIL BUITENBEGLAZING HEFSCHUIF
 MONORAIL VITRAGE EXTERIEURE COULISSANT LEVANT
 MONORAIL AUSSENVERGLAZUNG HEBESCHIEBE
 MONORAIL BUITENBEGLAZING LIFT AND SLIDE

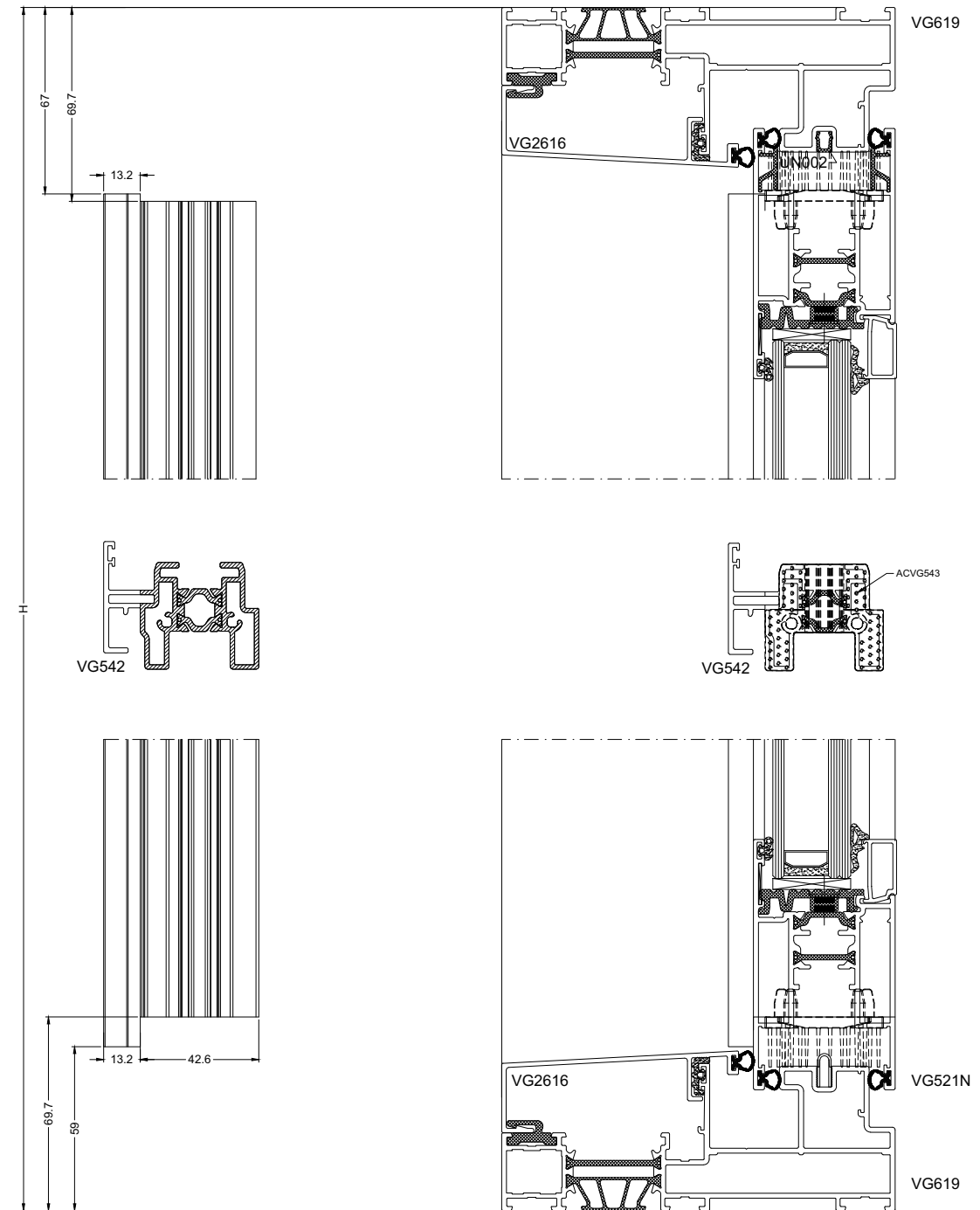
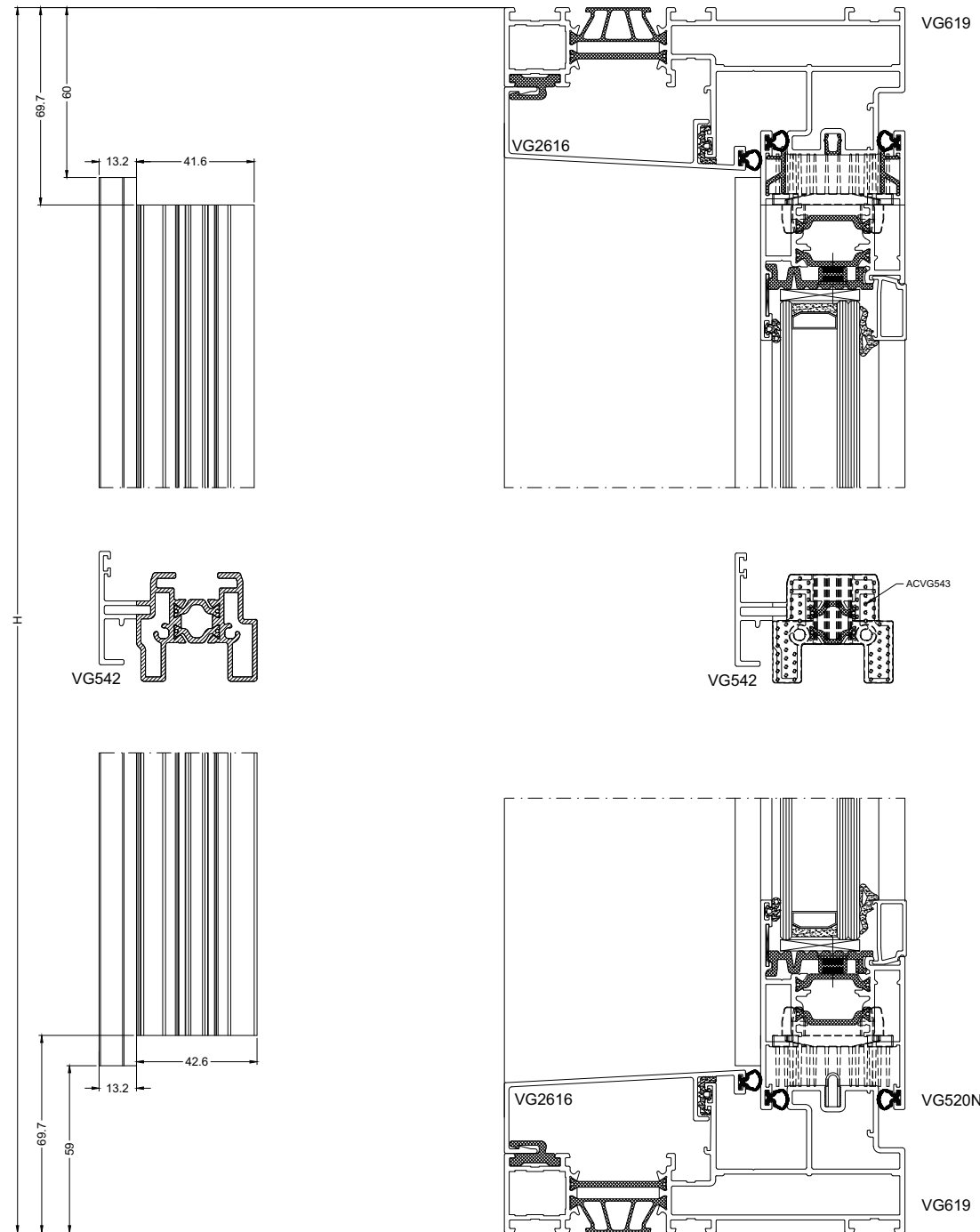


VG500

UITWERKEN VG542
 DECOUPE VG542
 BEARBEITUNG VG542
 OPERATION VG542

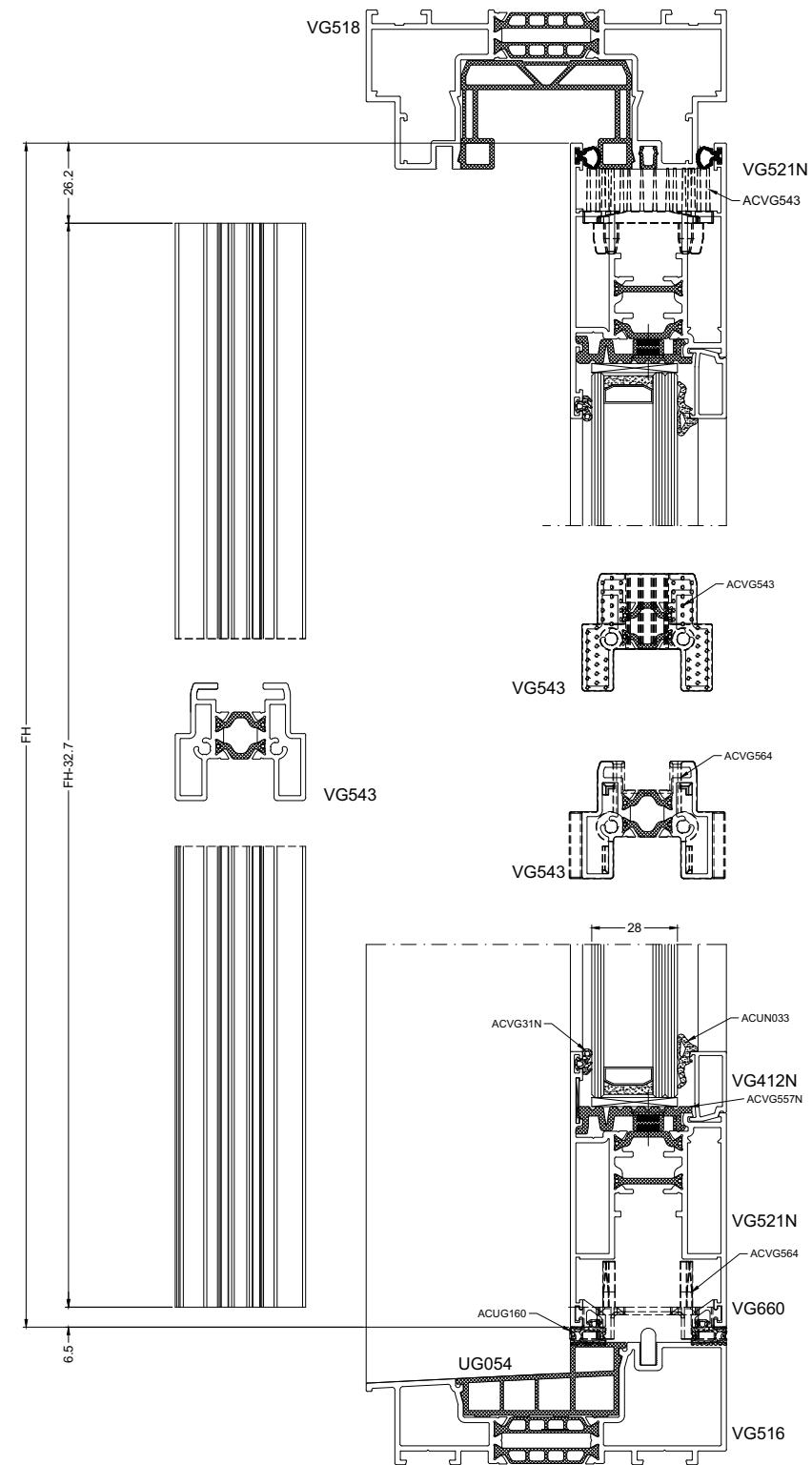
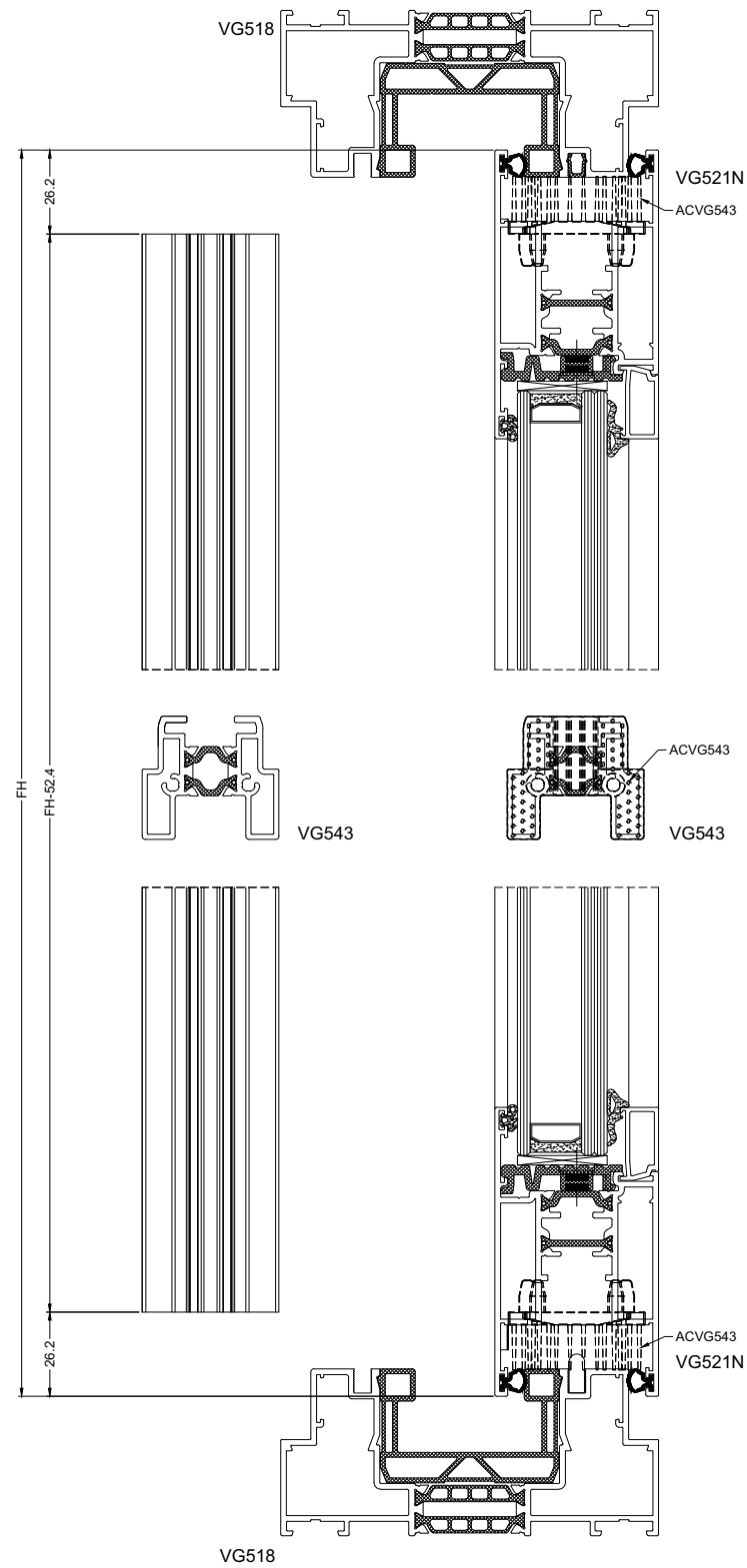
MONORAIL BUITENBEGLAZING SCHUIF
 MONORAIL VITRAGE EXTERIEURE COULISSANT
 MONORAIL AUSSENVERGLAZUNG SCHIEBE
 MONORAIL BUITENBEGLAZING SLIDE

MONORAIL BUITENBEGLAZING HEFSCHUIF
 MONORAIL VITRAGE EXTERIEURE COULISSANT LEVANT
 MONORAIL AUSSENVERGLAZUNG HEBESCHIEBE
 MONORAIL BUITENBEGLAZING LIFT AND SLIDE



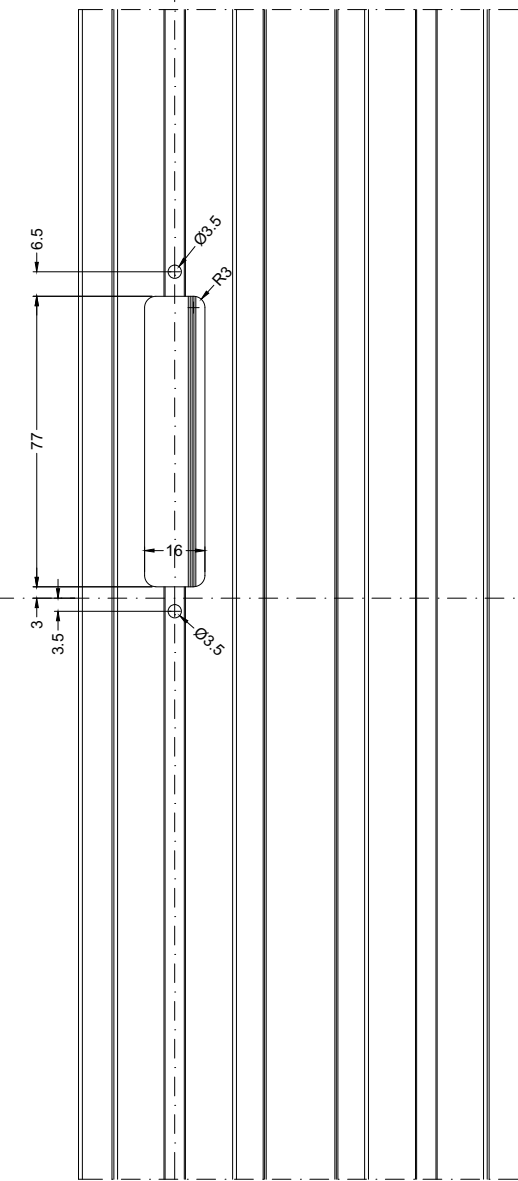
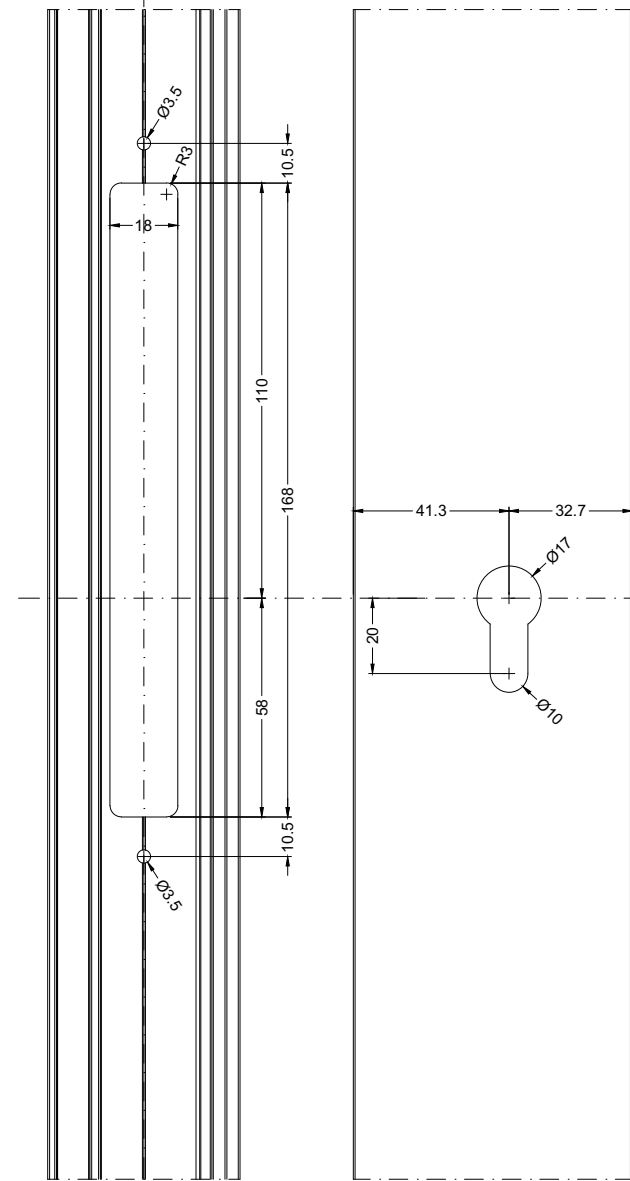
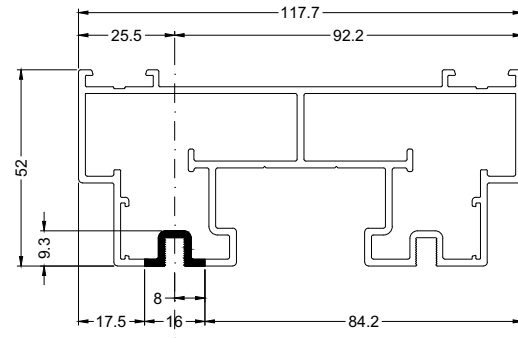
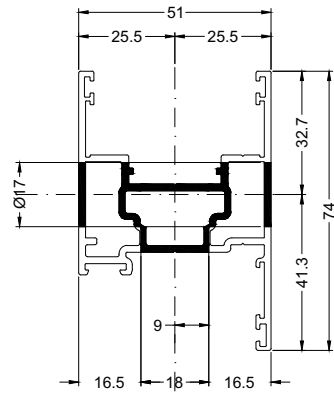
VG542-MONO-2

VG543

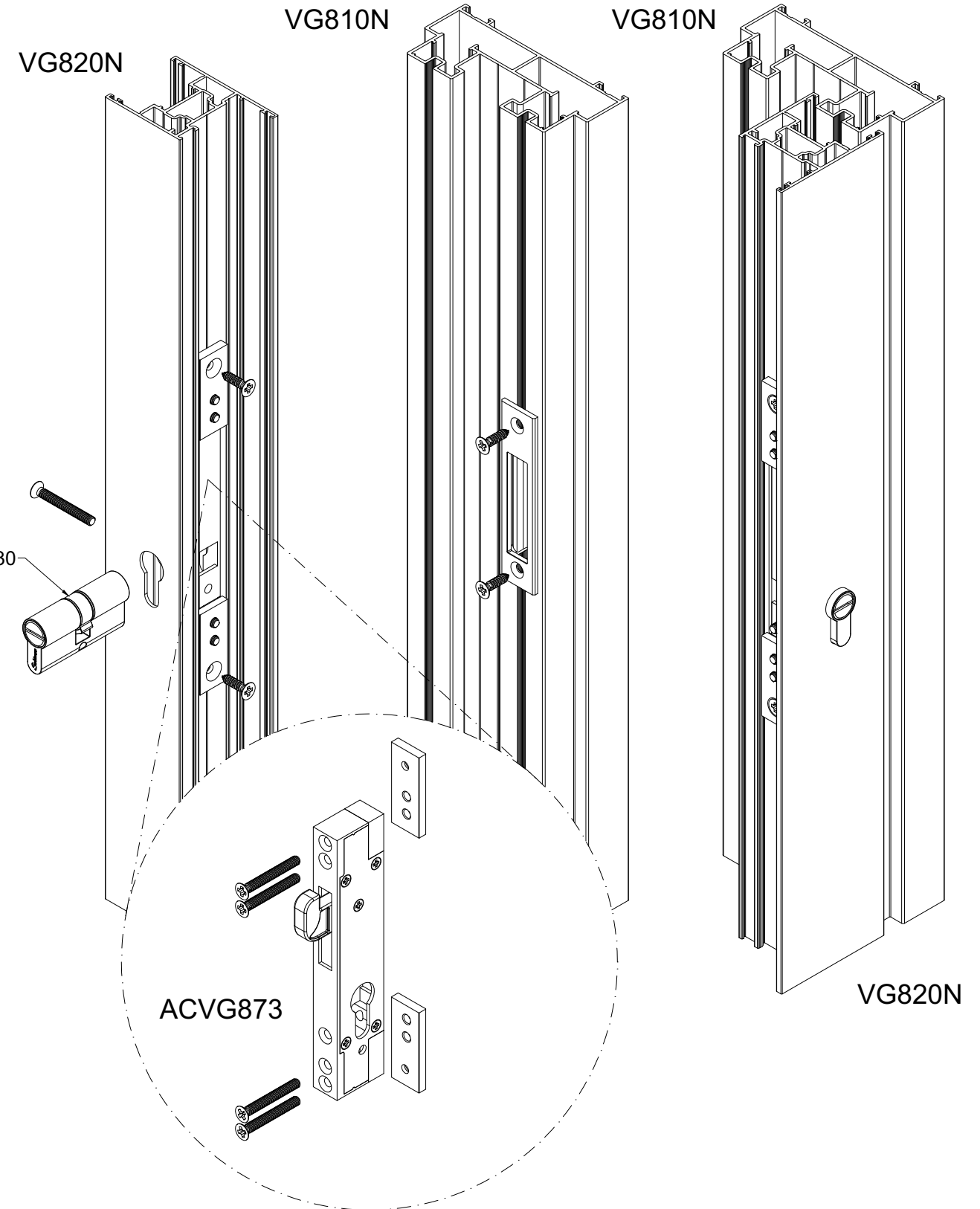


VG500

MONTAGE ACVG873
 ASSEMBLAGE ACVG873
 MONTAGE ACVG873
 ASSEMBLY ACVG873



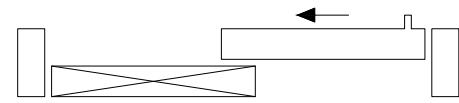
REFERENTIEMAAT
 DIMENSION DE REFERENCE
 REFERENZMASS
 REFERENCE DIMENSION



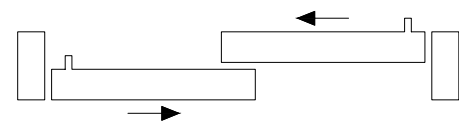
VG820N
 ASSEMBLY_ACVG873

VG810N

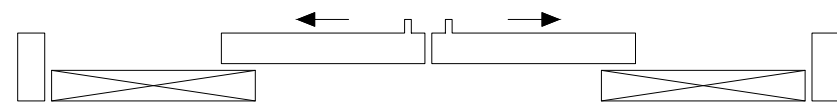
INBOUW HEFSCHUIFDEUR
 ENCASTREMENT SOULEVENT COULISSANT
 EINBAU HEBESCHIEBETUER
 EMBEDDING LIFT AND SLIDING DOOR



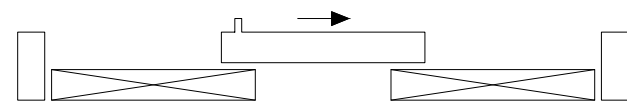
SCHEMA A: 2RAIL-1F-2O



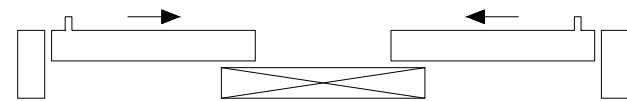
SCHEMA B: 2RAIL-1O-2O



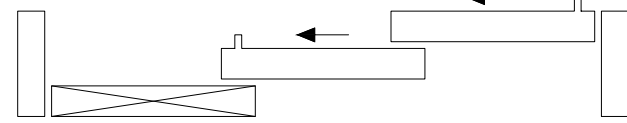
SCHEMA C: 2RAIL-1F-2OX2O-1F



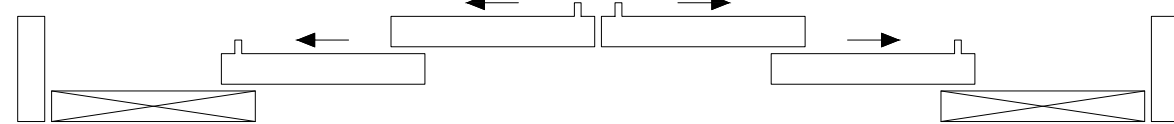
SCHEMA D: 2RAIL-1F-2O-1F



SCHEMA E: 2RAIL-2O-1F-2O



SCHEMA F: 3RAIL-1F-2O-3O



SCHEMA G: 2RAIL-1F-2O-3OX3O-2O-1F

(*) OPTIONEEL
 EN OPTION
 FAKULTATIV
 OPTIONAL

| AANTAL/SCHEMA NOMBRE/SCHEMA ANZAHL/SCHEMA NUMBER/SCHEMA | | | | | | | OMSCHRIJVING DESCRIPTION BESCHREIBUNG DESCRIPTION | ARTIKEL ARTICLE ARTIKEL ARTICLE | |
|--|-----|---|-----|-----|-----|---|---|--|---|
| A | B | C | D | E | F | G | | | |
| 1 | 2 | 2 | 1 | 2 | 2 | 4 | SLOT SERRURE HAKENSCHLOSS LOCK | VLEUGELHOOGTE HAUTEUR D'OUVRANT FLUGEL HOHE VENT HEIGHT 1718 mm < 2218 mm 2217 mm < 2618 mm 2617 mm < ... | ACVG277 ACVG278 ACVG279 |
| 1 | 2 | 2 | 1 | 2 | 2 | 4 | BASISSET HEFSCHUIFDEUR STANDAARD: 4-PUNTSLUITING GRUNDKARTON HEBESCHIEBETUER STANDARD: FERMETURE A 4 POINTS BASIC SET LIFT AND SLIDING DOOR STANDARD: 4-FACHVERRIEGELUNG SET DE BASE SOULEV. COULISSANT STANDARD: 4-POINT LOCK MAX.: 200 KG | ACVG280N | |
| 1 | 2 | 2 | 1 | 2 | 2 | 4 | VERBINDINGSSTANG TIGE DE RACCORDEMENT VERBINDUNGSSTANGE CONNECTING ROD | VLEUGELBREEDTE LARGEUR VANTAIL BREITE FLUGEL WIDTH SASH 702 mm < 1278 mm 1277 mm < 1782 mm 1781 mm < 2286 mm 2285 mm < 2790 mm 2789 mm < 3294 mm | ACVG269 ACVG270 ACVG271 ACVG272 ACVG273 |
| (*) | (*) | 1 | (*) | (*) | (*) | 1 | SLUITPUNT (ONDER) POINT DE VERROUILLAGE (EN BAS) SCHLIESSPUNKT (UNTEN) LOCKING POINT (BOTTOM) | ACVG281N | |
| 1 | 2 | 2 | 1 | 2 | 2 | 4 | GELEIDINGSSTUK PIECE DE GUIDAGE FUEHRUNGSSTUECK GUIDE BRACKET | ACVG268 | |
| | | 1 | | | | 1 | BASISSET HEFSCHUIFDEUR 4-SLAG SET DE BASE SOULEV. COULISSANT 4 VANTAUX GRUNDKARTON HEBESCHIEBETUER 4 FLUEGEL BASIC SET LIFT AND SLIDING DOOR 4 DOOR | ACVG240 | |

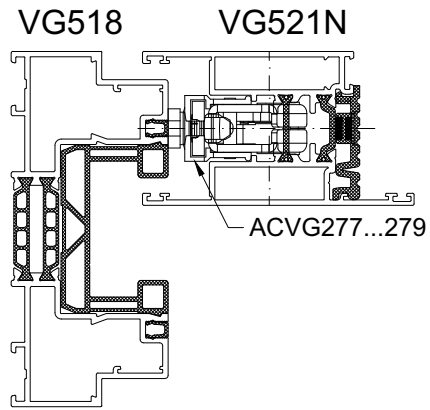
LIFT&SLIDE(OVERVIEW)

aliplast
member of



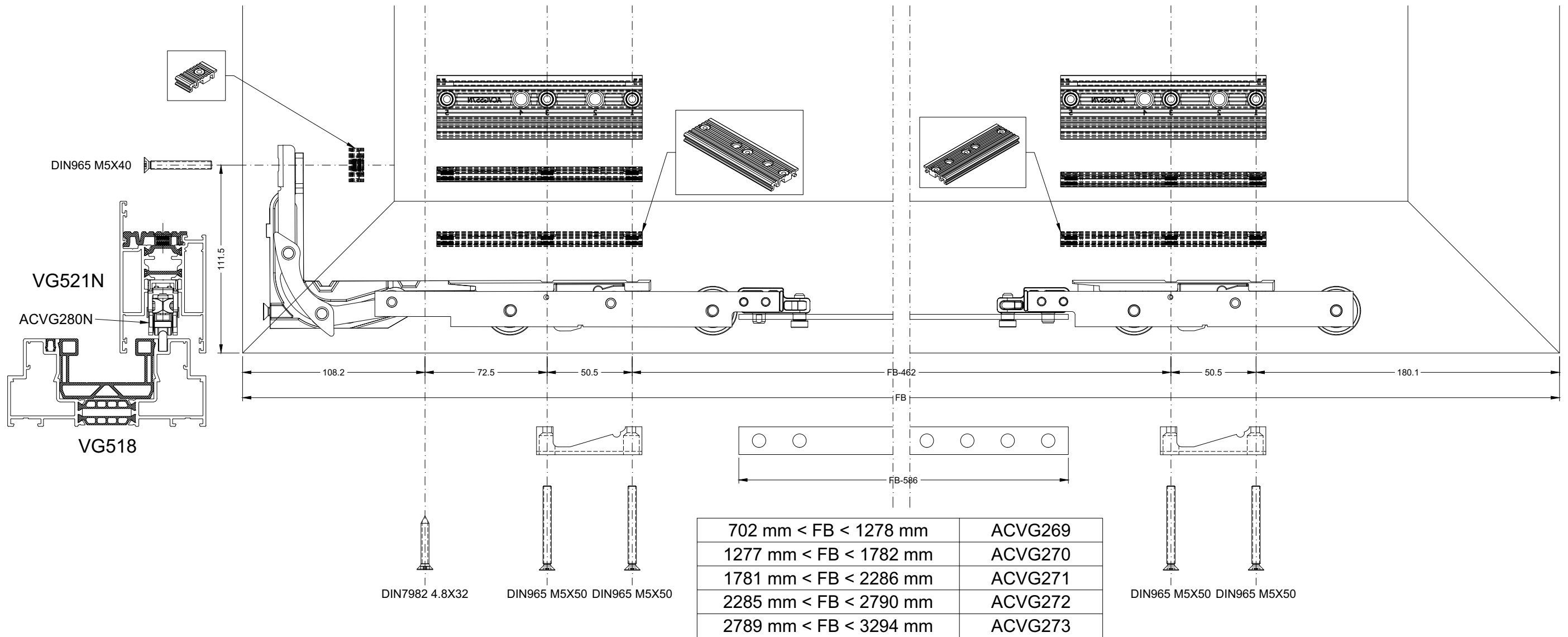
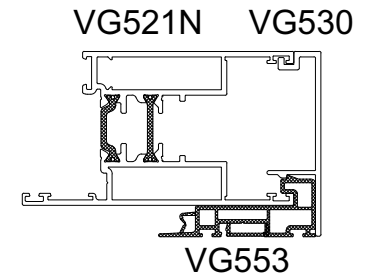
VG500

INBOUW HEFSCHUIFDEUR
 ENCASTREMENT SOULEVENT COULISSANT
 EINBAU HEBESCHIEBETUER
 EMBEDDING LIFT AND SLIDING DOOR



FB VLEUGELBREEDTE
 LARGEUR VANTAIL
 BREITE FLUGEL
 WIDTH SASH

MAXIMAAL VLEUGELGEWICHT
 POIDS MAXIMUM PAR VANTAIL
 MAXIMAL FLUGELGEWICHT
 MAX. WEIGHT OF THE VENT **200 KG**

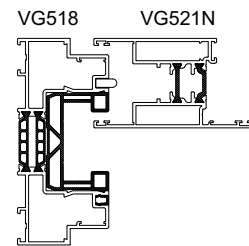
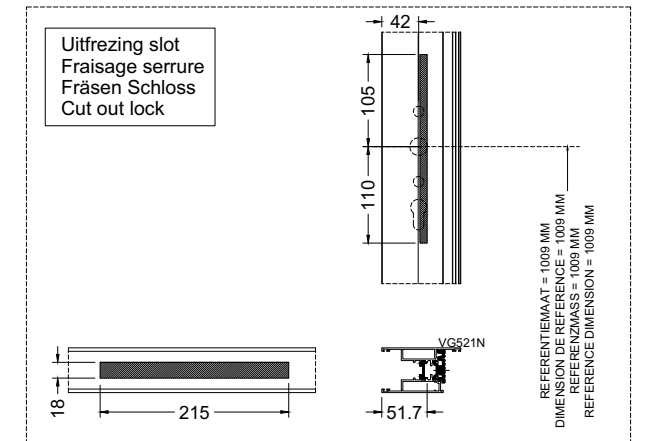


LIFT&SLIDE(1)

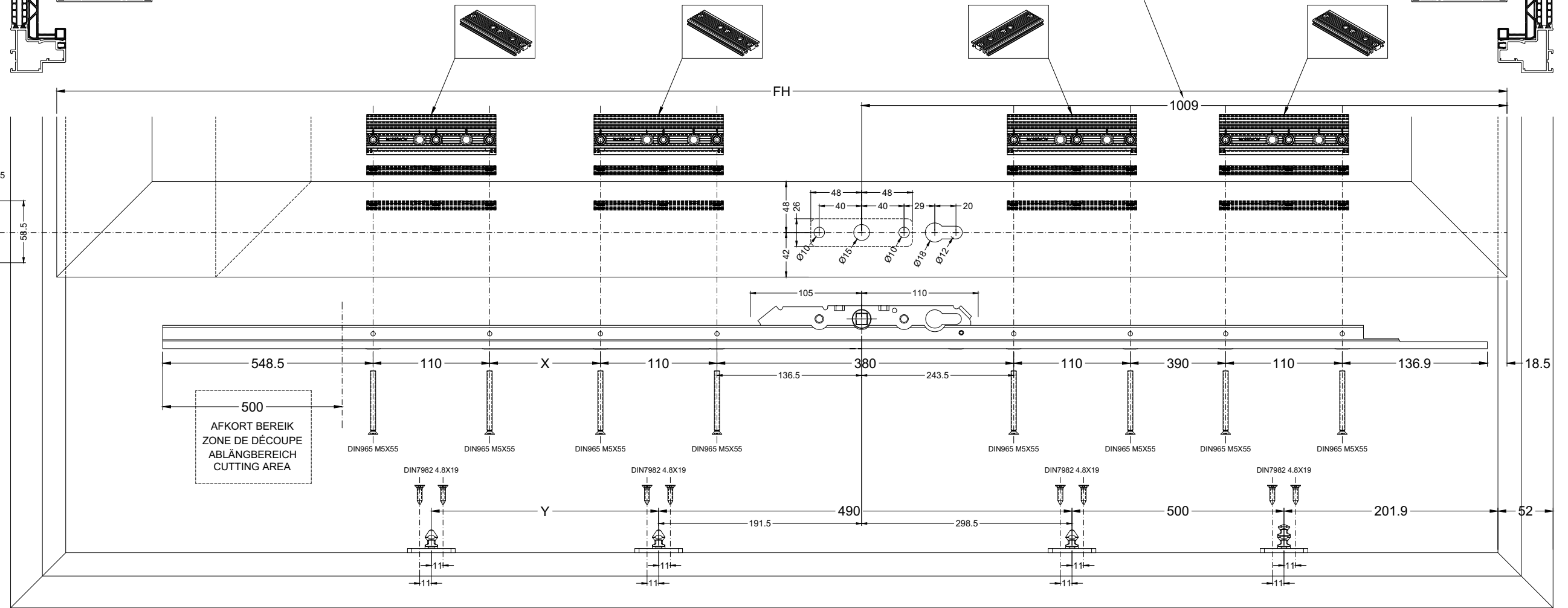
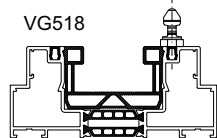
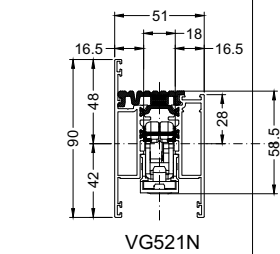
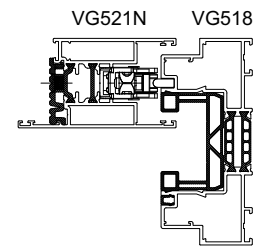
INBOUW HEFSCHUIFDEUR
 ENCASTREMENT SOULEVENT COULISSANT
 EINBAU HEBESCHIEBETUER
 EMBEDDING LIFT AND SLIDING DOOR

OVERZICHT, ZIE SZ CATALOGUS
 APERCU, VOIR LE CATALOGUE SZ
 OVERVIEW, SEE SZ CATALOG
 UEBERSICHT, SIEHE SZ KATALOG

| FH | | X | Y |
|--|---------|--------|--------|
| VLEUGELHOOGTE HAUTEUR D'OUVRANT FLUGEL HOHE VENT HEIGHT | | (mm) | (mm) |
| 1718 mm < 2218 mm | ACVG277 | 204.5 | 314.5 |
| 2217 mm < 2618 mm | ACVG278 | 604.5 | 714.5 |
| 2617 mm < ... | ACVG279 | 1004.5 | 1114.5 |



REFERENTIEMAAT
 DIMENSION DE REFERENCE
 REFERENZMASS
 REFERENCE DIMENSION



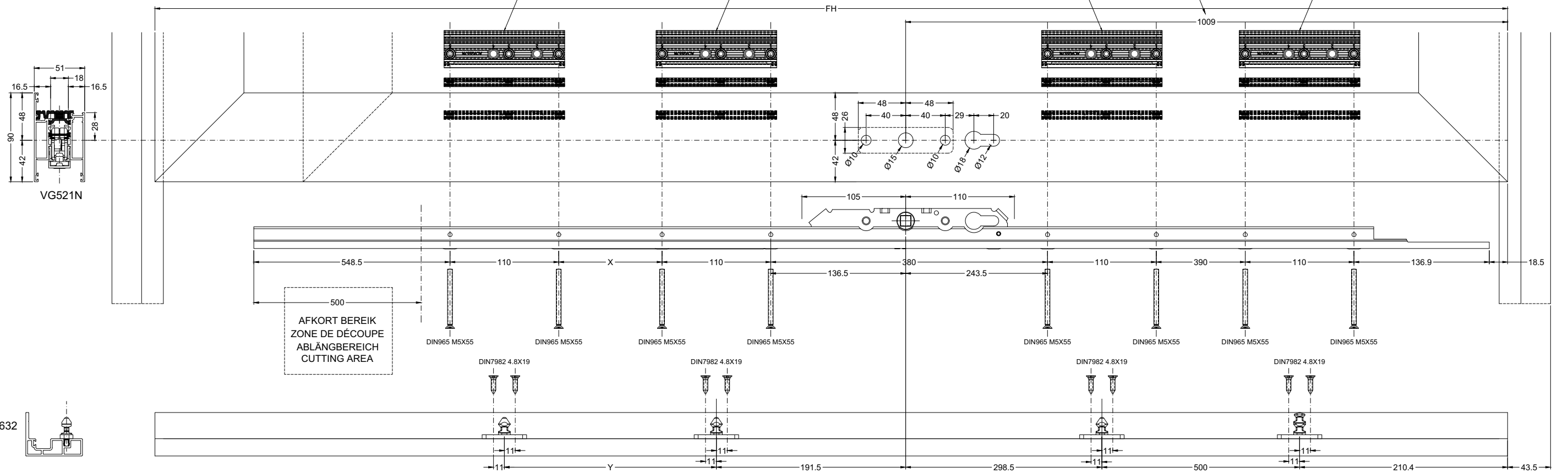
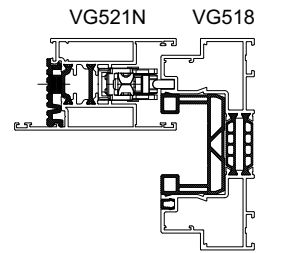
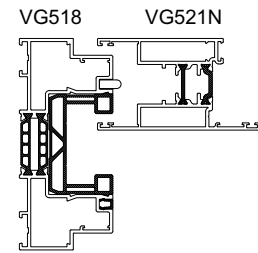
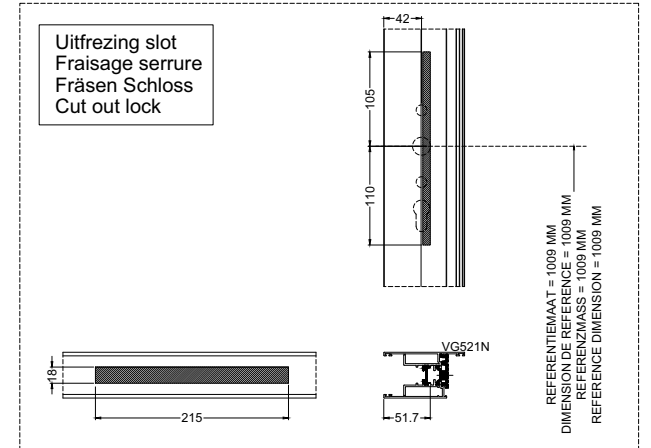
LIFT&SLIDE(2)

VG500

INBOUW HEFSCHUIFDEUR (VG632)
 ENCASTREMENT SOULEVENT COULISSANT (VG632)
 EINBAU HEBESCHIEBETUER (VG632)
 EMBEDDING LIFT AND SLIDING DOOR (VG632)

OVERZICHT, ZIE SZ CATALOGUS
 APERCU, VOIR LE CATALOGUE SZ
 OVERVIEW, SEE SZ CATALOG
 UEBERSICHT, SIEHE SZ KATALOG

| FH | | X | Y |
|--|---------|--------|--------|
| VLEUGELHOOGTE HAUTEUR D'OUVRANT FLUGEL HOHE VENT HEIGHT | | (mm) | (mm) |
| 1718 mm < 2218 mm | ACVG277 | 204.5 | 314.5 |
| 2217 mm < 2618 mm | ACVG278 | 604.5 | 714.5 |
| 2617 mm < ... | ACVG279 | 1004.5 | 1114.5 |

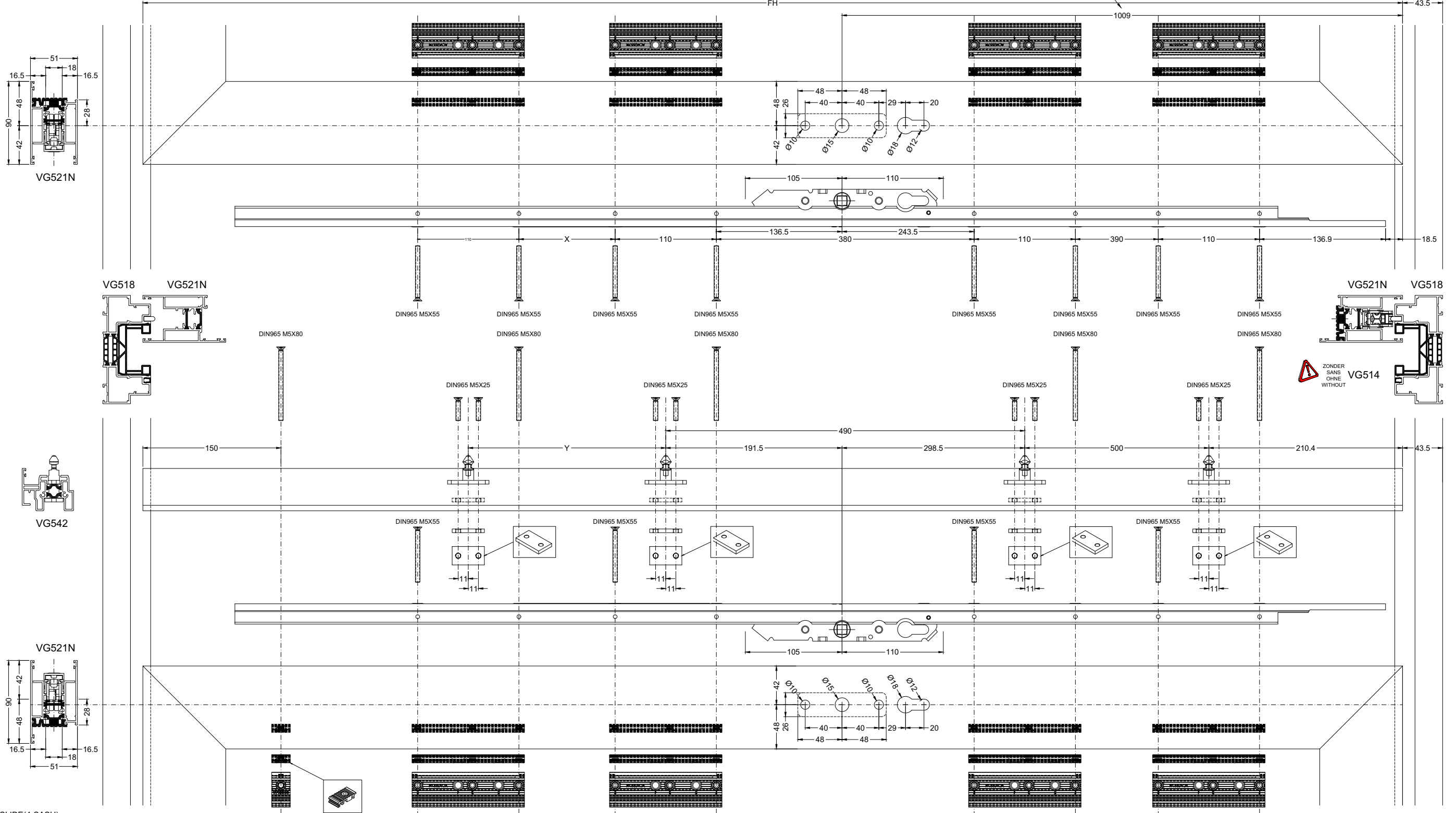


VG632

LIFT&SLIDE(3)

INBOUW HEFSCHUIFDEUR 4-SLAG
 ENCASTREMENT SOULEVENT COULISSANT 4 VANTAUX
 EINBAU HEBESCHIEBETUER 4 FLUEGEL
 EMBEDDING LIFT AND SLIDE 4 DOOR

REFERENTIEMAAT
 DIMENSION DE REFERENCE
 REFERENZMASS
 REFERENCE DIMENSION



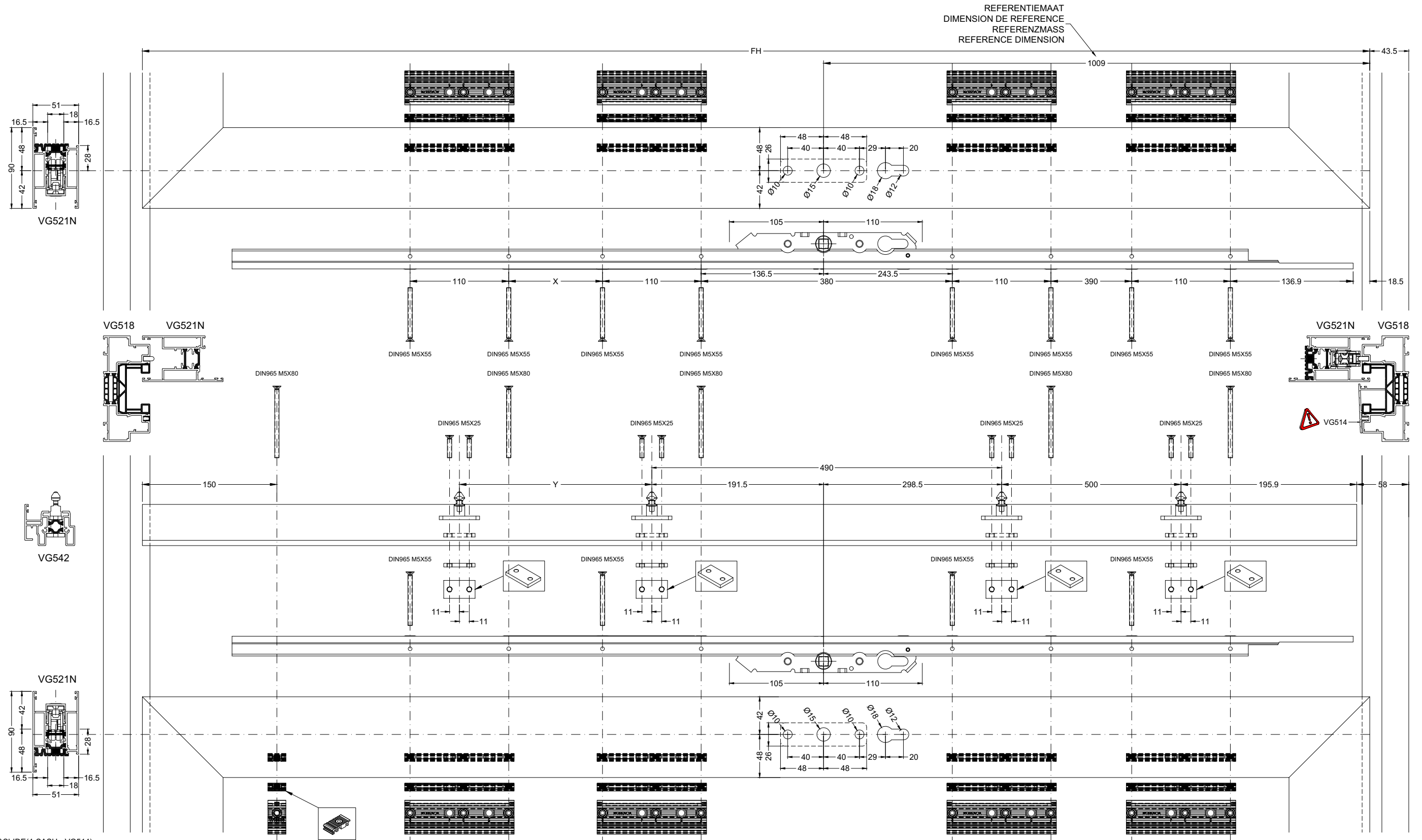
VG500

INBOUW HEFSCHUIFDEUR 4-SLAG (MET VG514)

ENCASTREMENT SOULEVENT COULISSANT 4 VANTAUX (AVEC VG514)

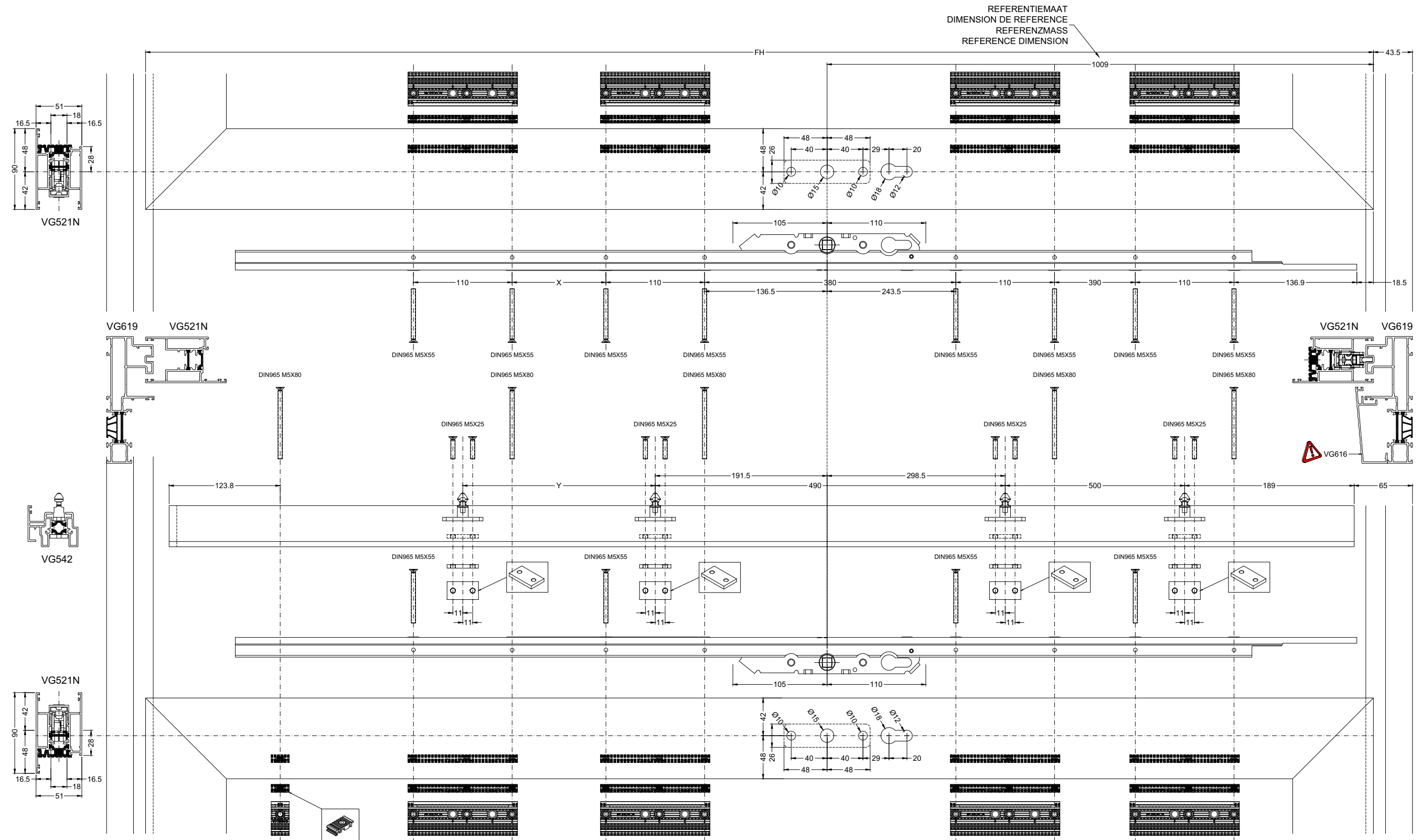
EINBAU HEBESCHIEBETUER 4 FLUEGEL (MIT VG514)

EMBEDDING LIFT AND SLIDE 4 DOOR (WITH VG514)



LIFT&SLIDE(4-SASH - VG514)

INBOUW HEFSCHUIFDEUR 4-SLAG (VG619) (MET VG616)
 ENCASTREMENT SOULEVENT COULISSANT 4 VANTAUX (VG619) (WITH VG616)
 EINBAU HEBESCHIEBETUER 4 FLUEGEL (VG619) (MIT VG616)
 EMBEDDING LIFT AND SLIDE 4 DOOR (VG619) (WITH VG616)

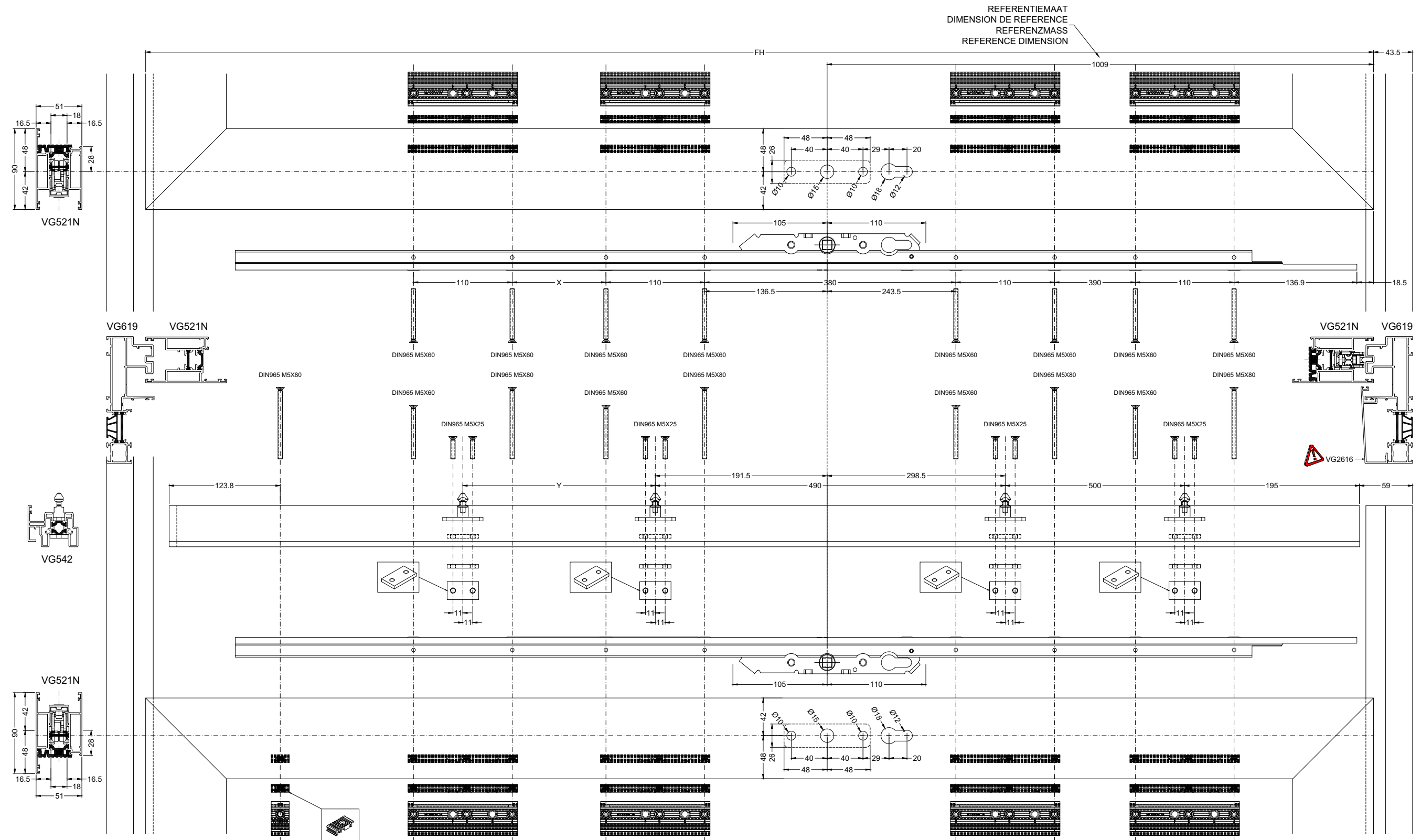


WERKTEKENINGEN - DESSINS DE CONSTRUCTION - KONSTRUKTIONZEICHNUNGEN - CONSTRUCTION DRAWINGS

LIFT&SLIDE(4-SASH)-(VG619 - VG616)

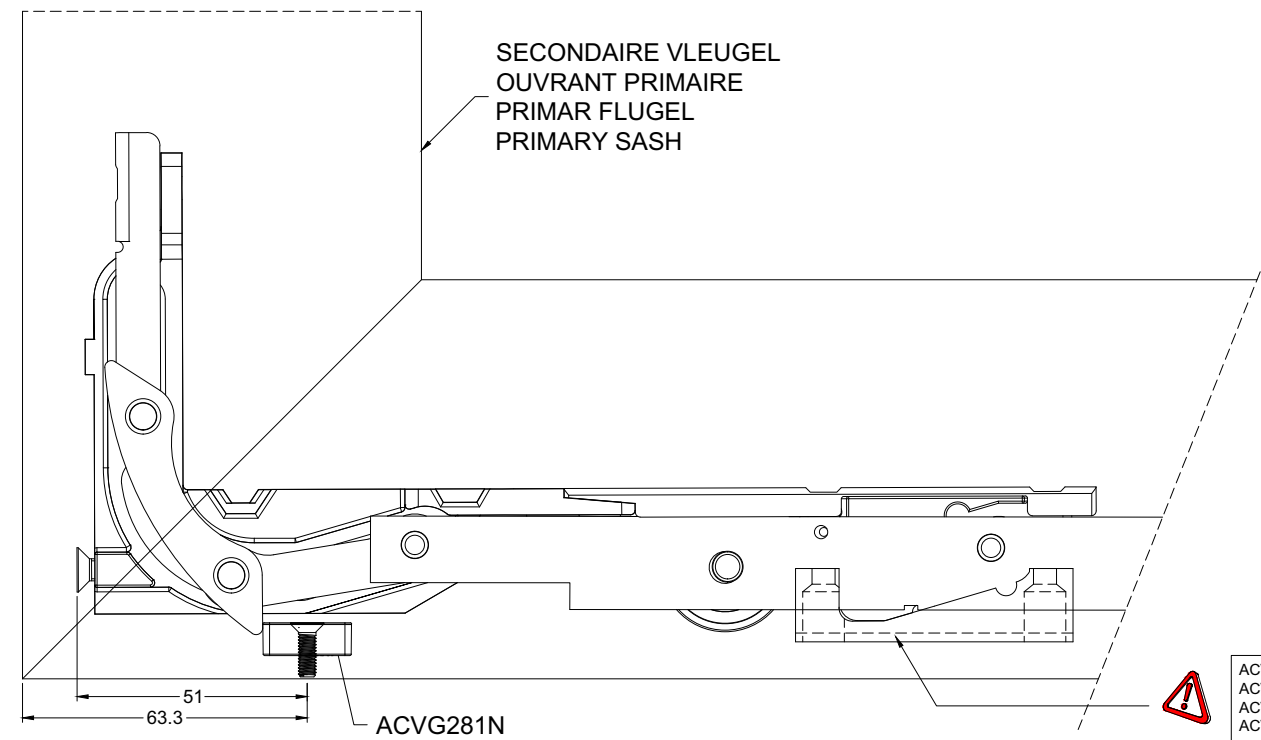
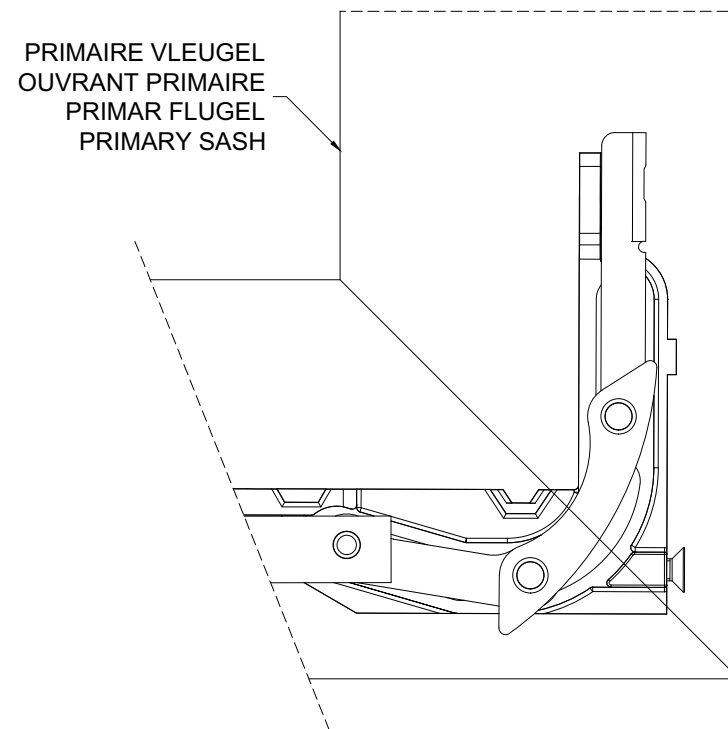
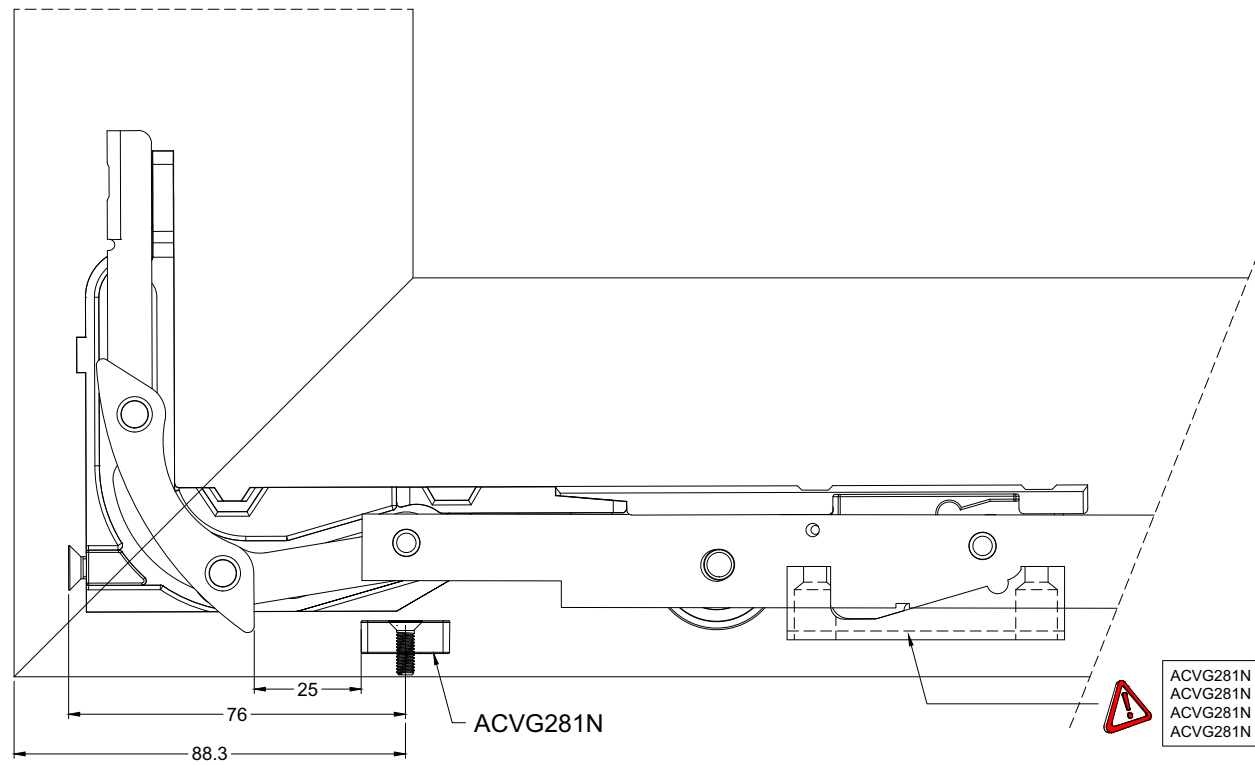
VG500

INBOUW HEFSCHUIFDEUR 4-SLAG (VG619) (MET VG2616)
 ENCASTREMENT SOULEVENT COULISSANT 4 VANTAUX (VG619) (WITH VG2616)
 EINBAU HEBESCHIEBETUER 4 FLUEGEL (VG619) (MIT VG2616)
 EMBEDDING LIFT AND SLIDE 4 DOOR (VG619) (WITH VG2616)



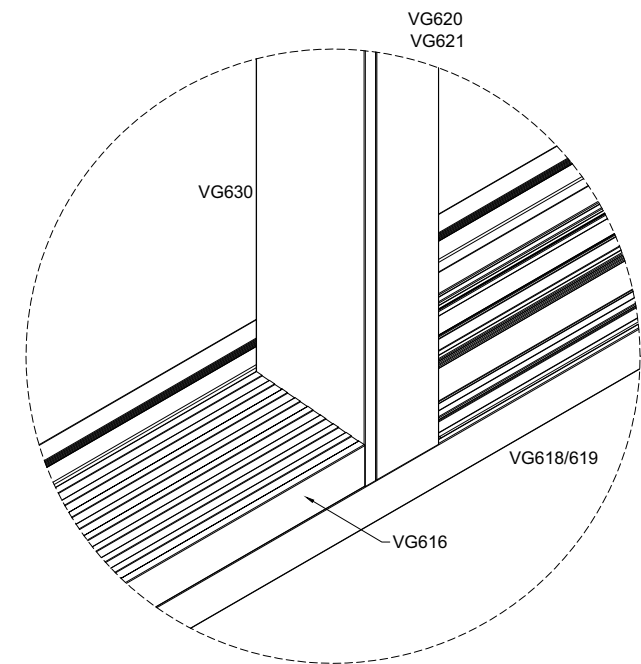
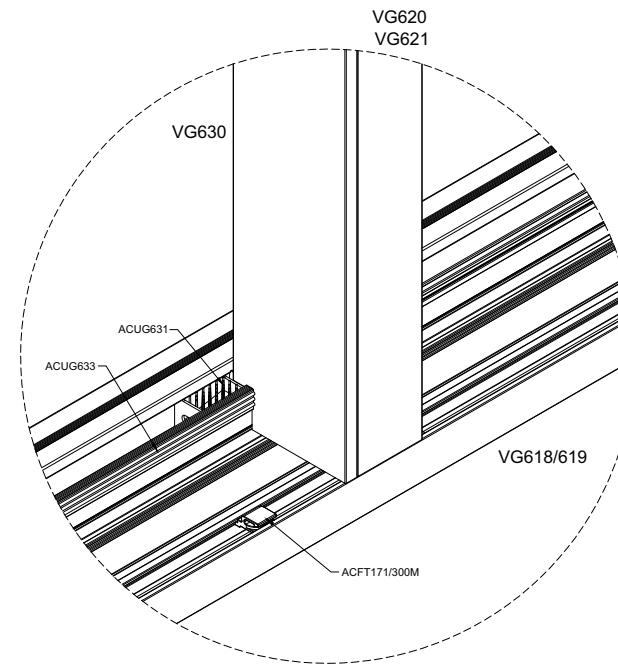
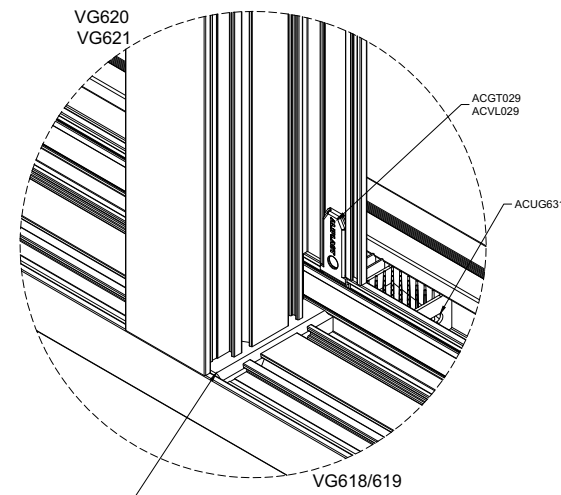
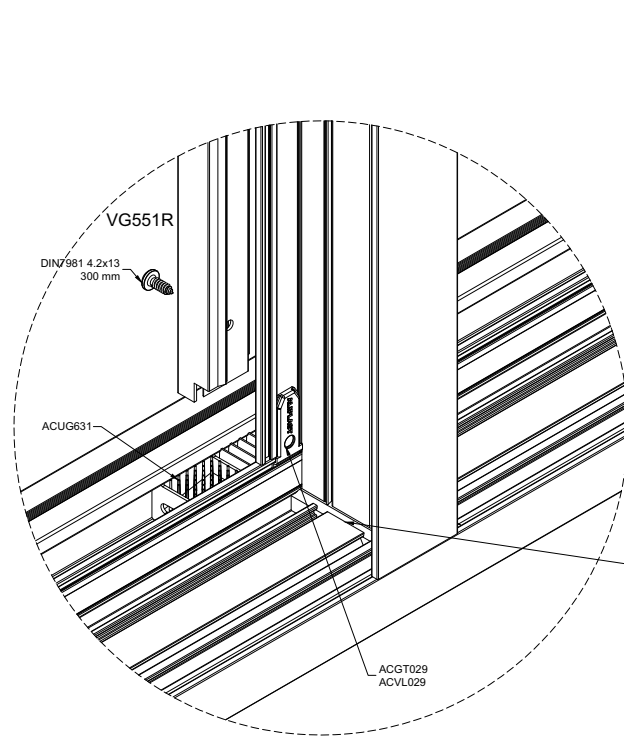
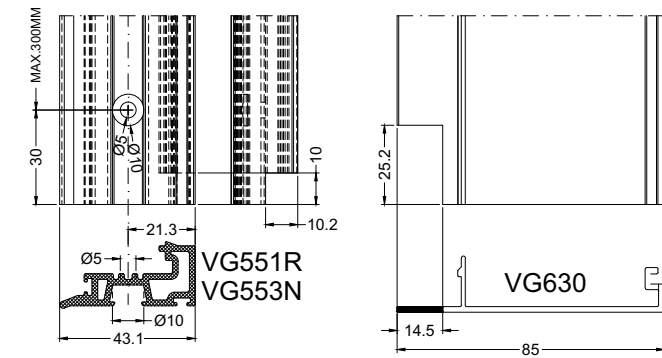
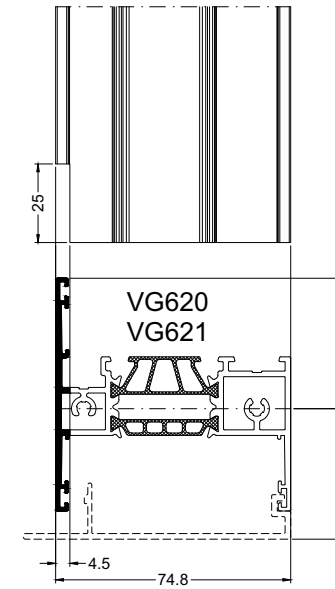
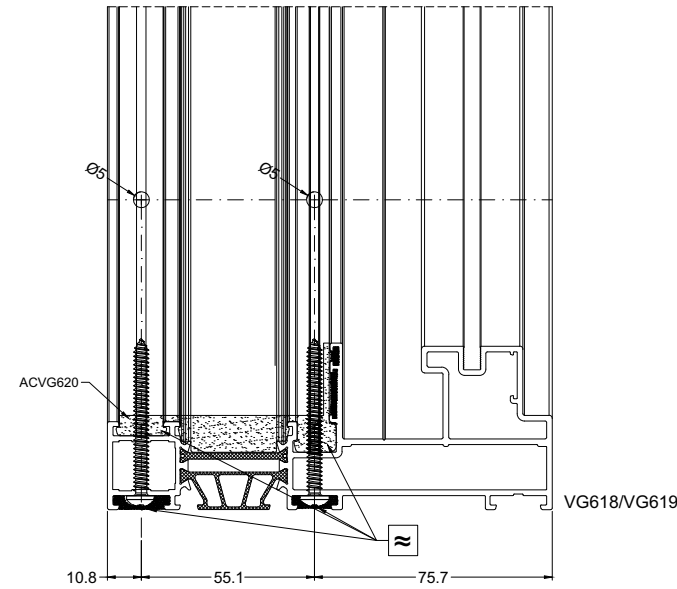
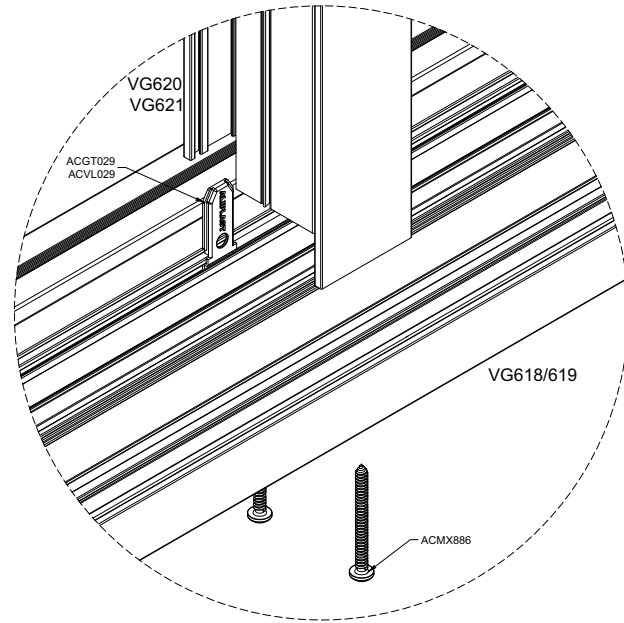
LIFT&SLIDE(4-SASH)-(VG619 - VG2616)

ACVG281N
 ACGV281N
 ACGV281N
 ACGV281N

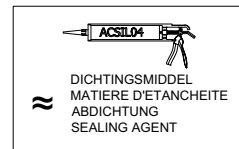


VG500

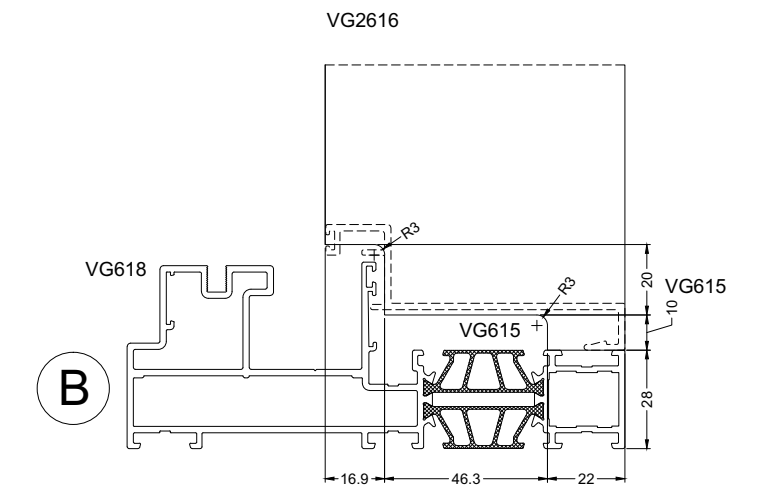
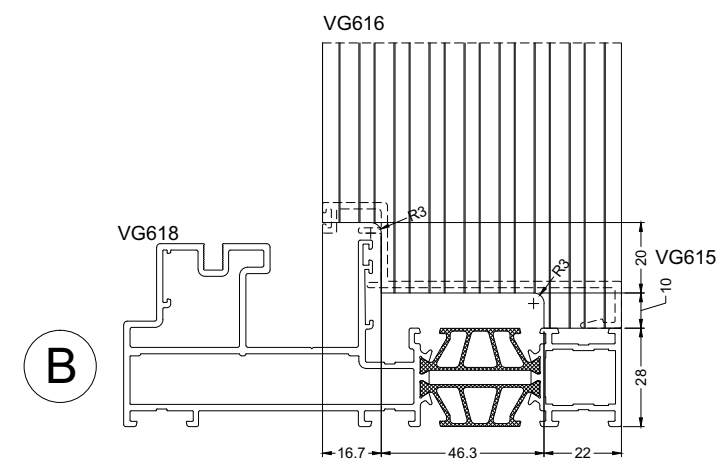
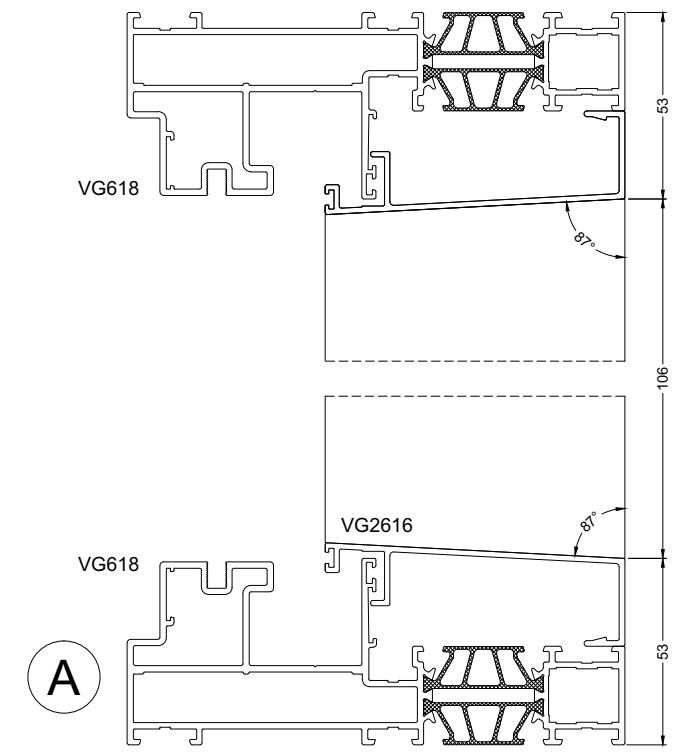
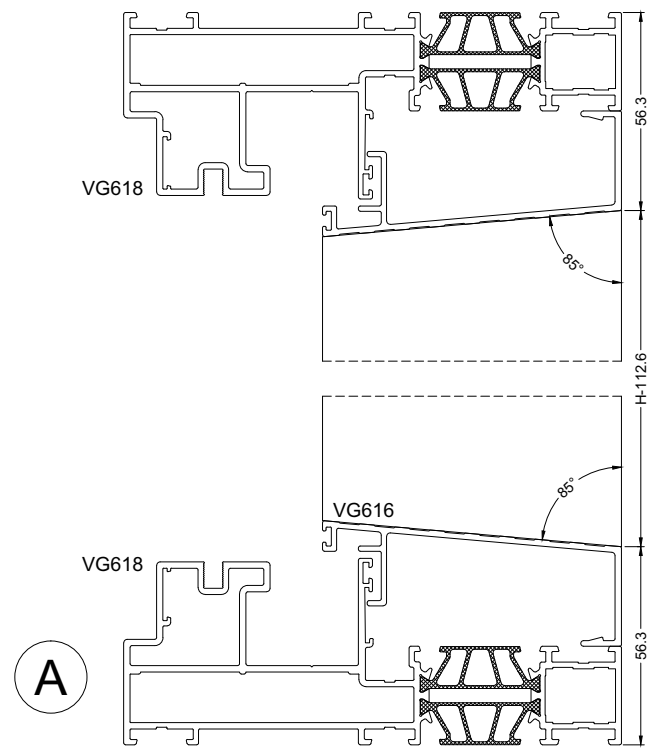
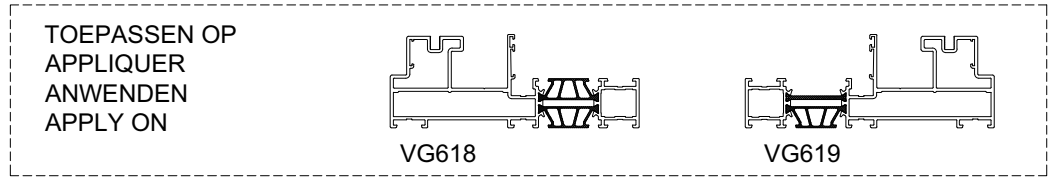
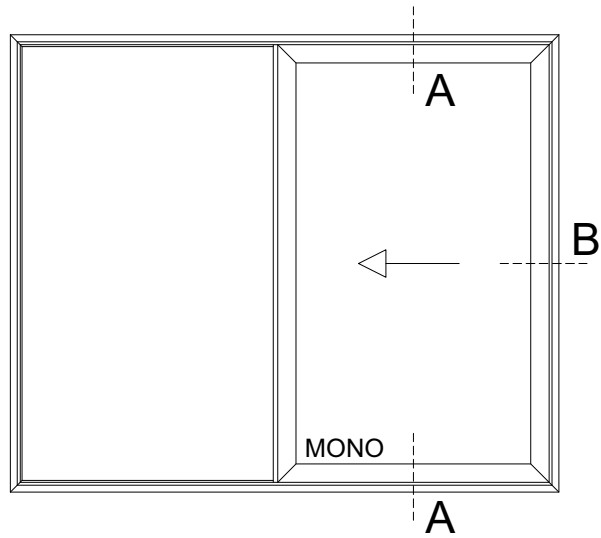
MONTAGE MONORAIL
MONTAGE MONORAIL
MONTAGE MONORAIL
ASSEMBLY MONORAIL



ACVG620 + ≈

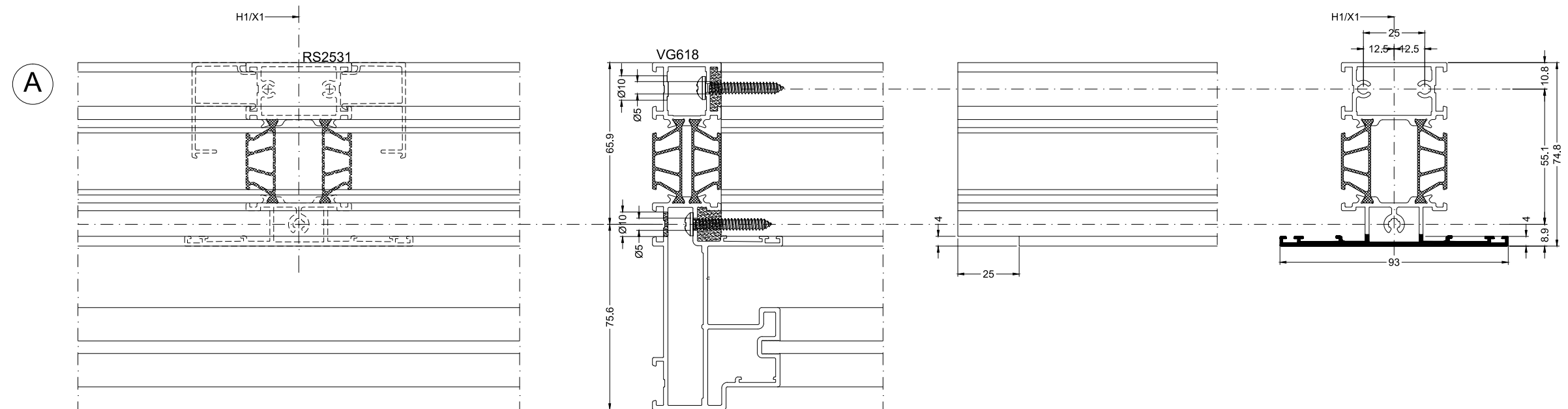
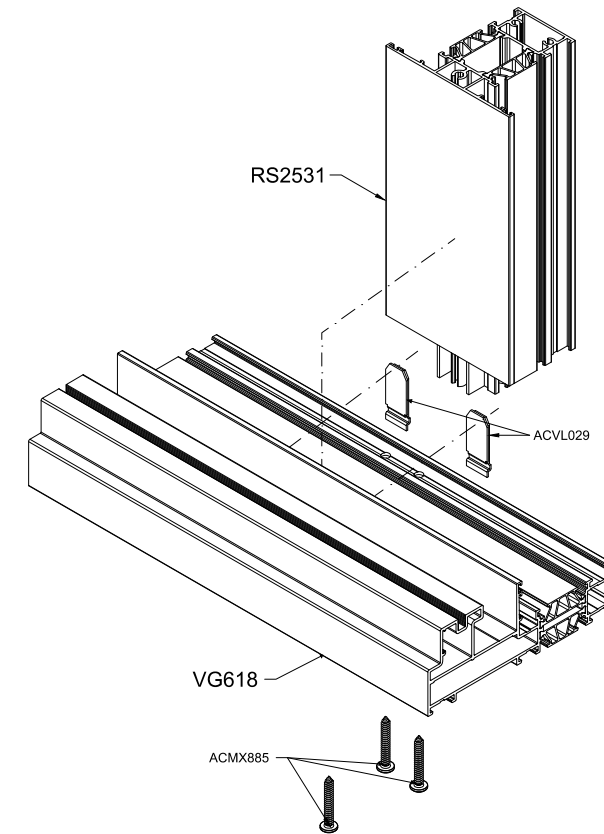
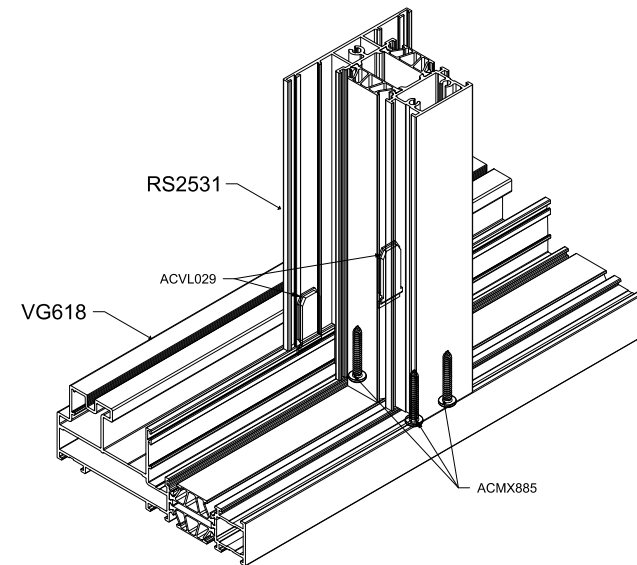
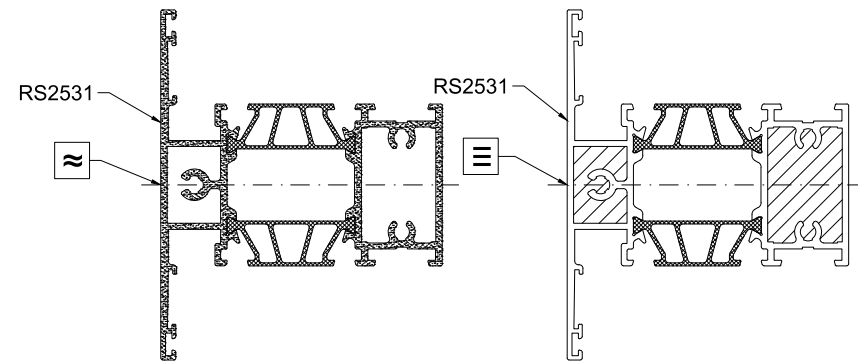
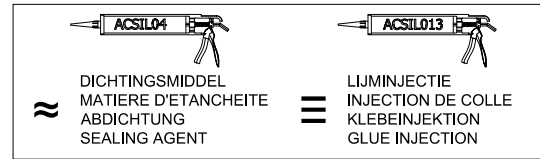
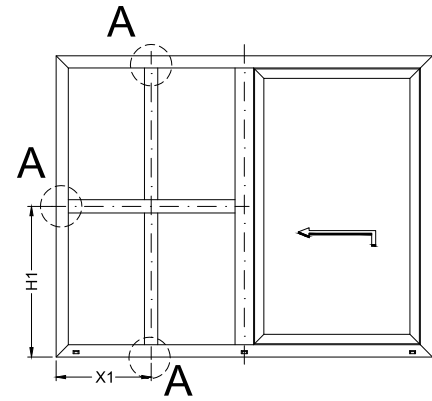


MONTAGE MONORAIL
 MONTAGE MONORAIL
 MONTAGE MONORAIL
 ASSEMBLY MONORAIL



VG500

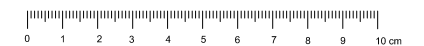
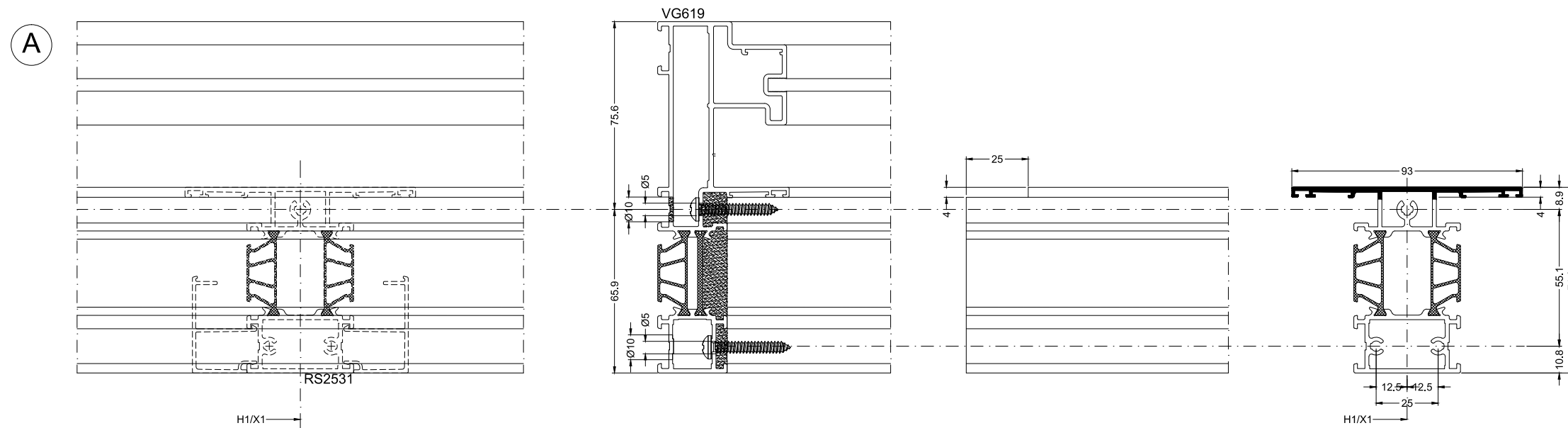
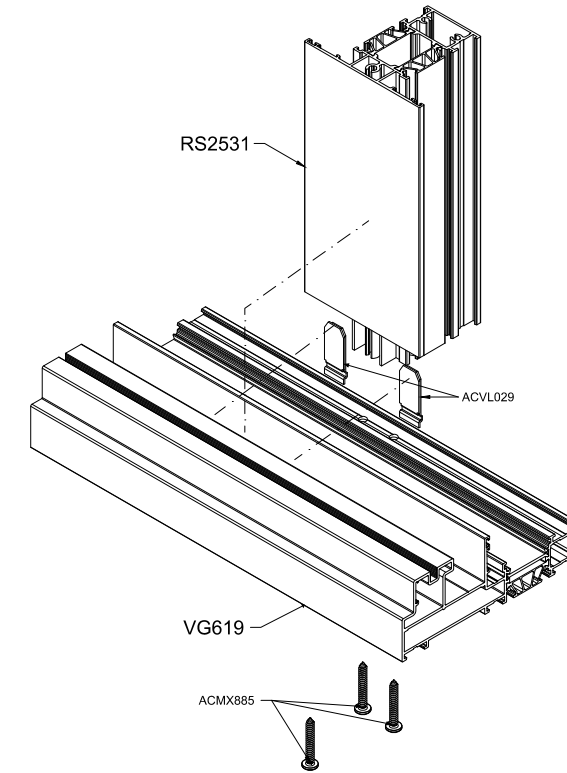
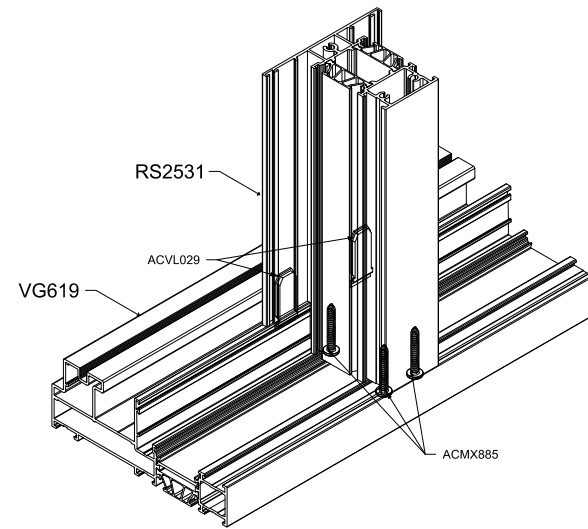
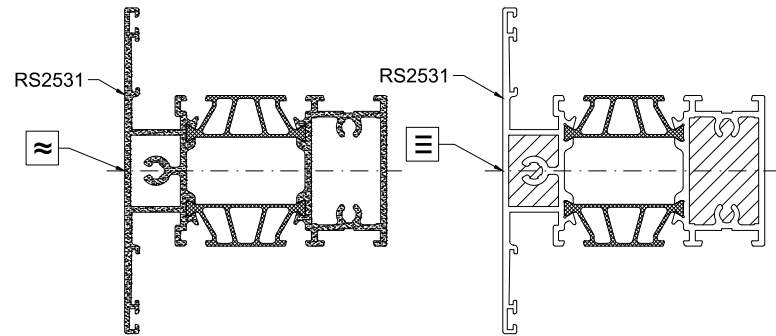
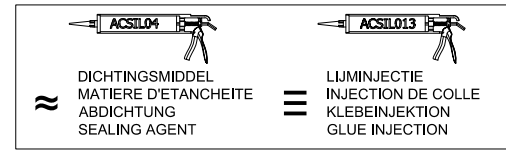
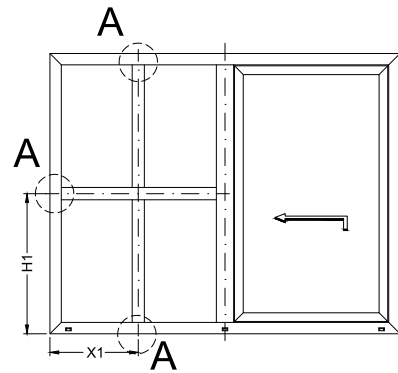
MONORAIL; VG618 + VG2531



VG618+RS2531

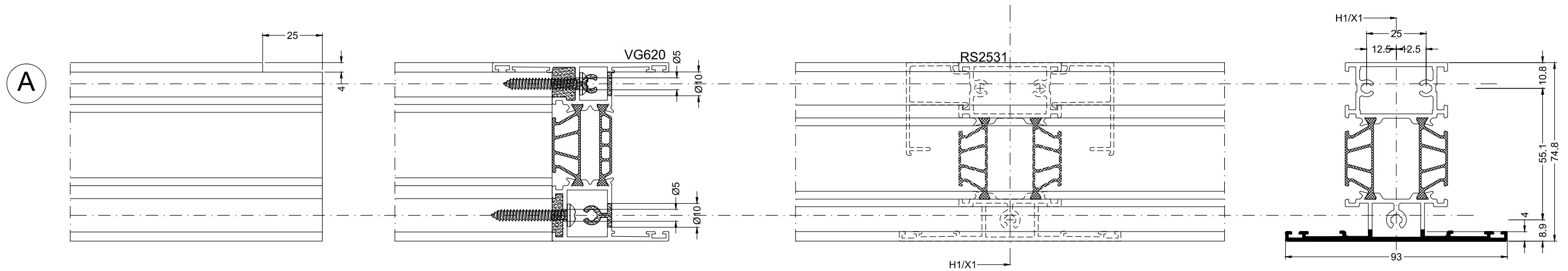
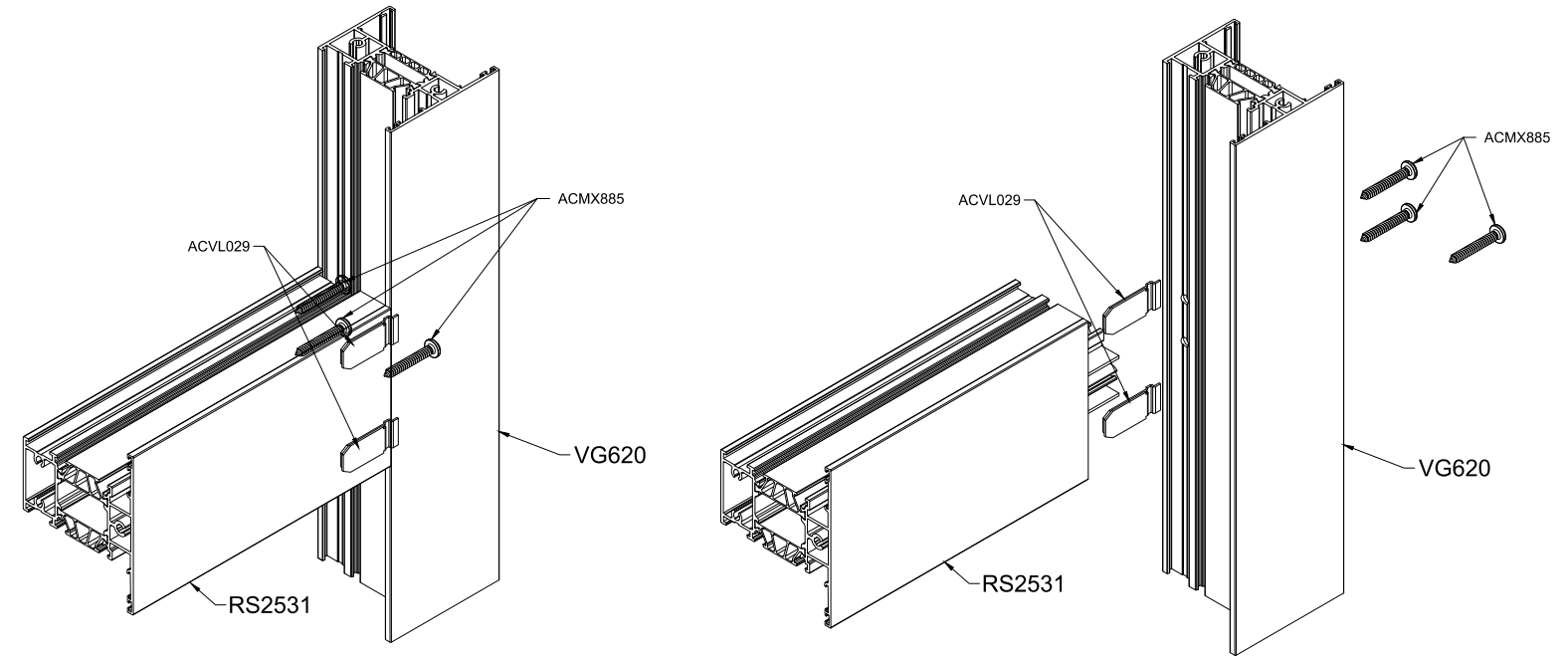
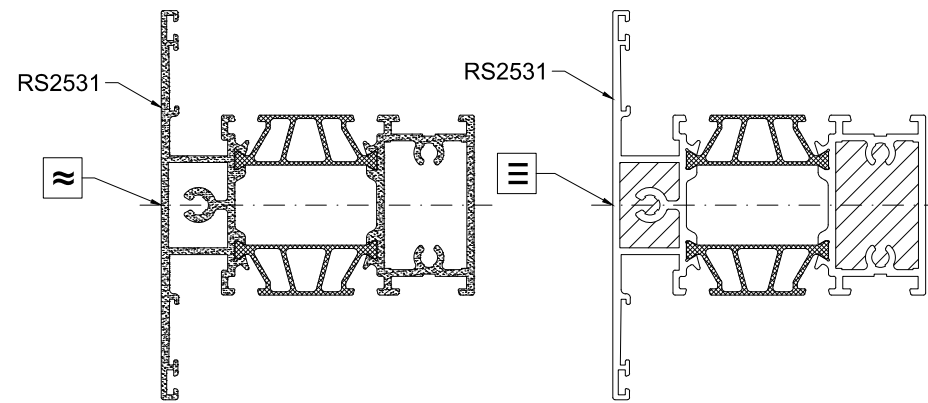
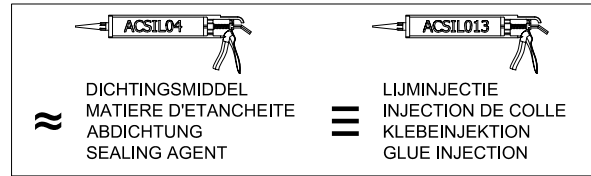
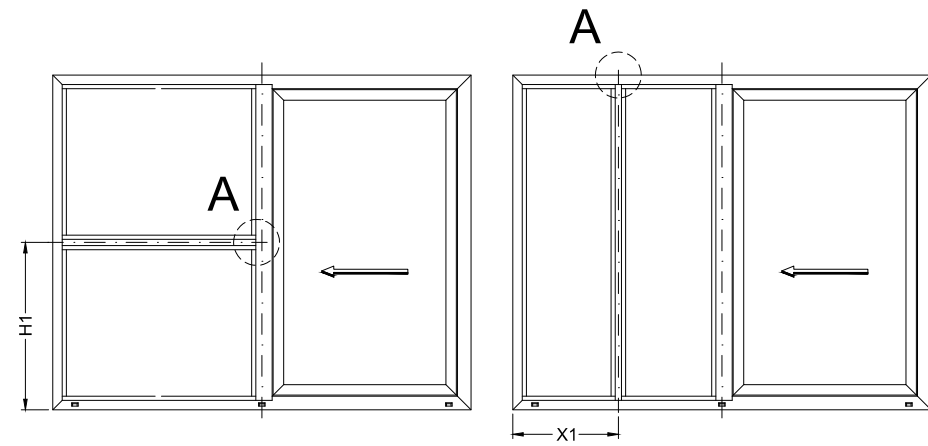


MONORAIL; VG619 + VG2531



VG500

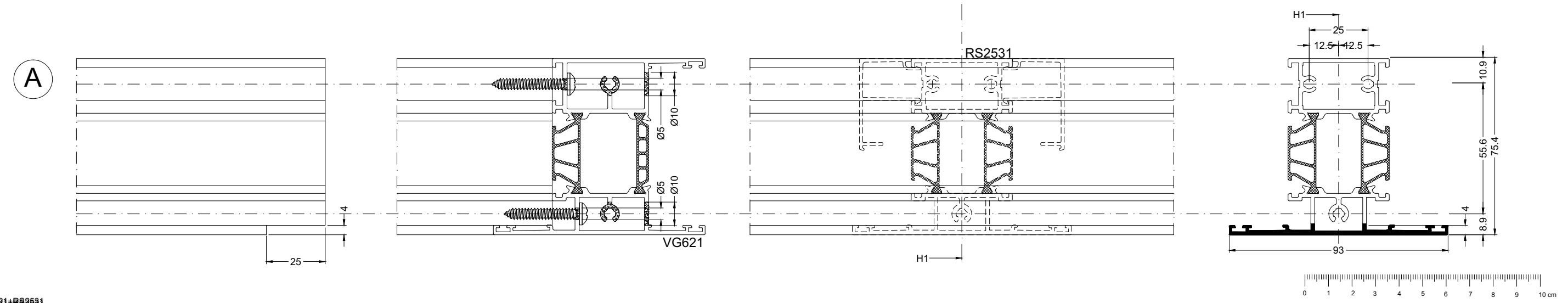
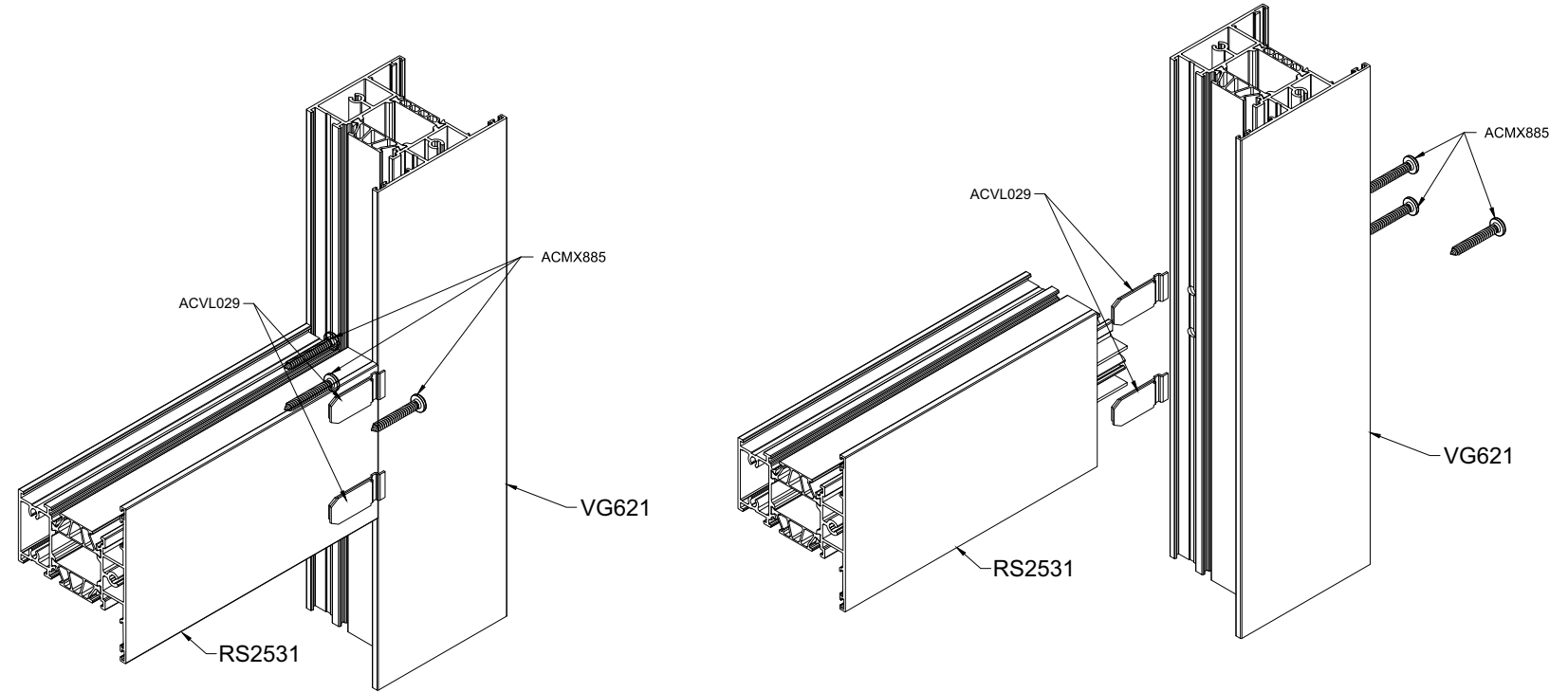
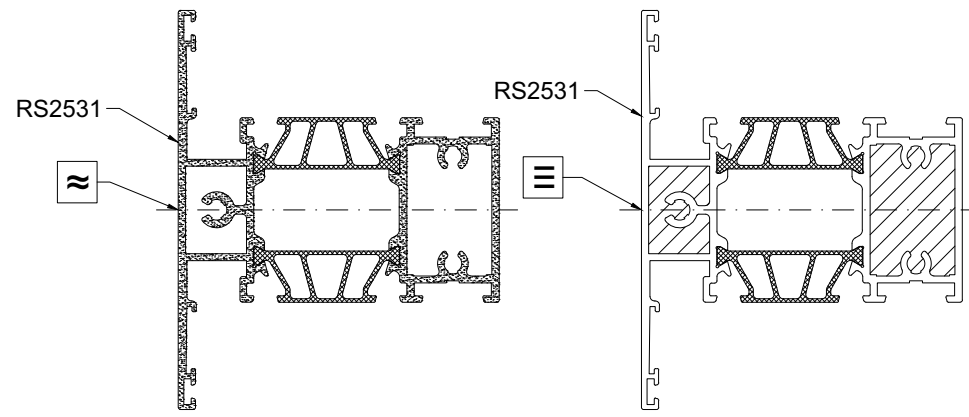
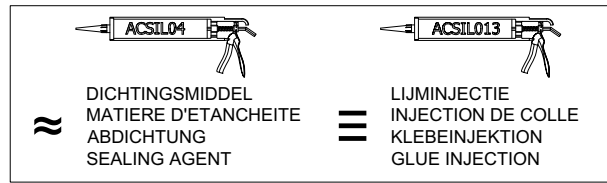
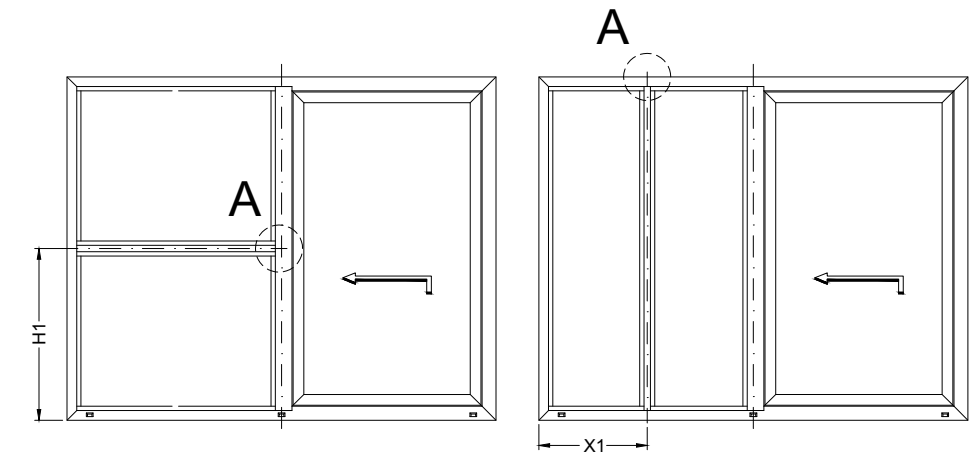
MONORAIL; VG620 + VG2531



VG620+RS2531

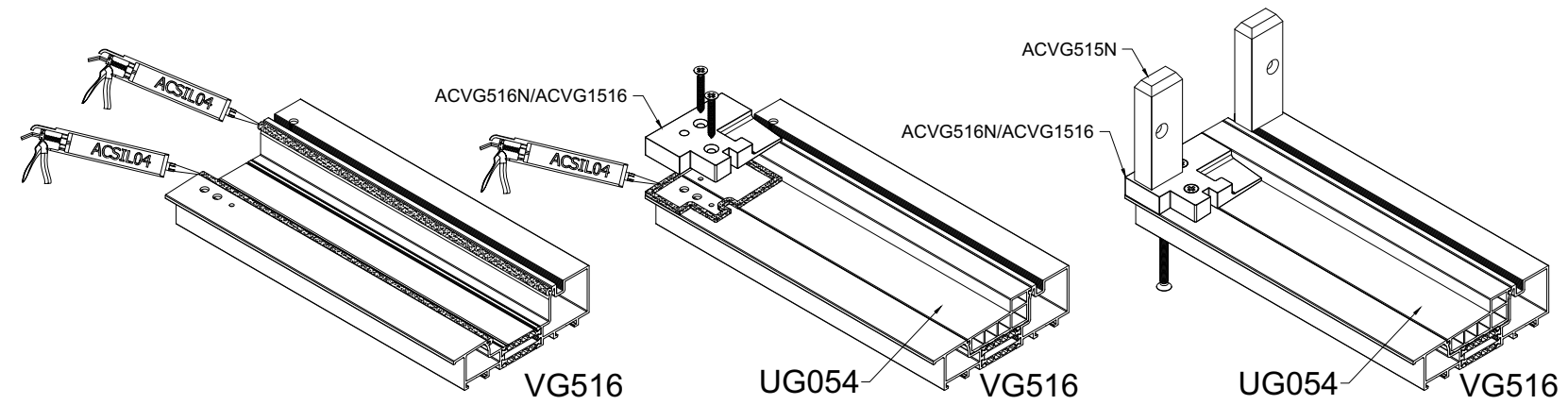
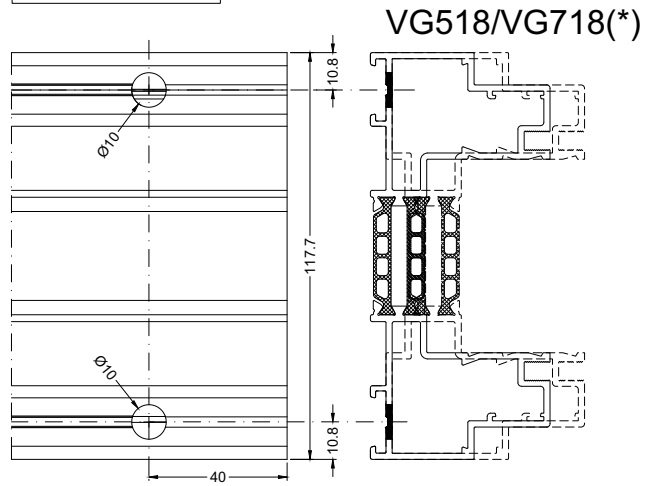
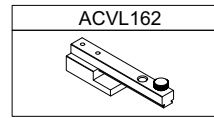


MONORAIL; VG621 + VG2531

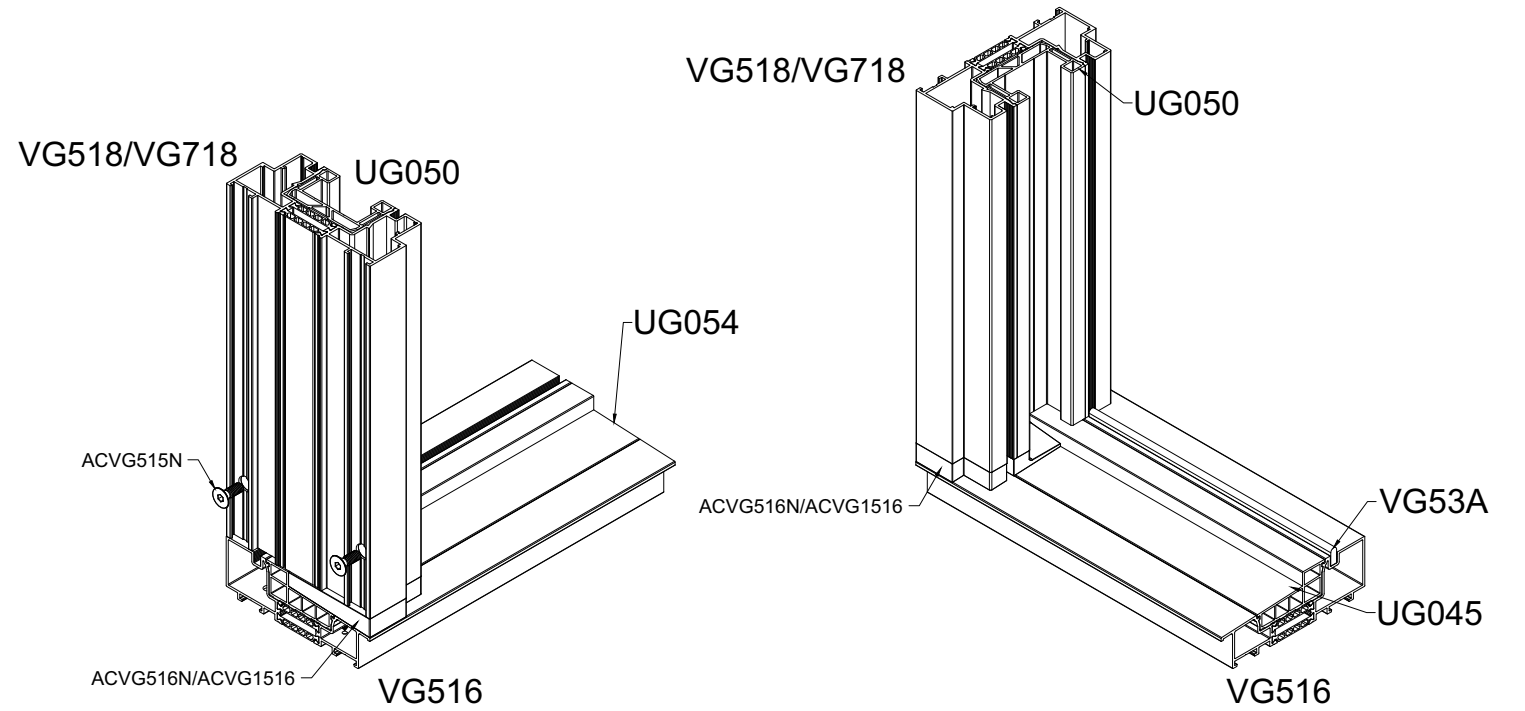
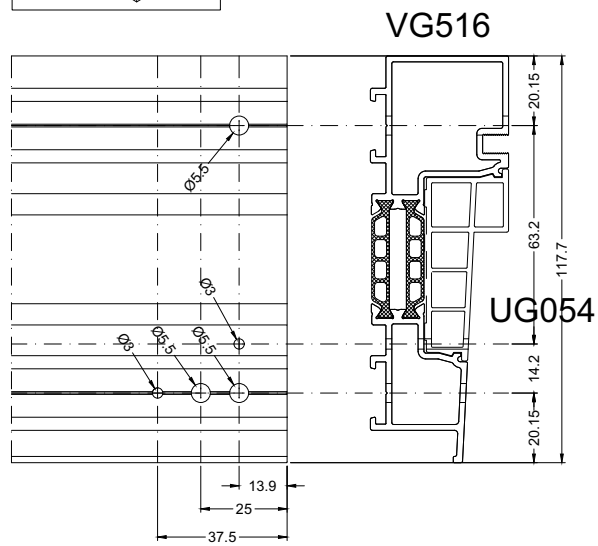
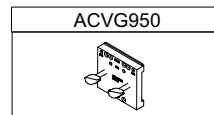


VG500

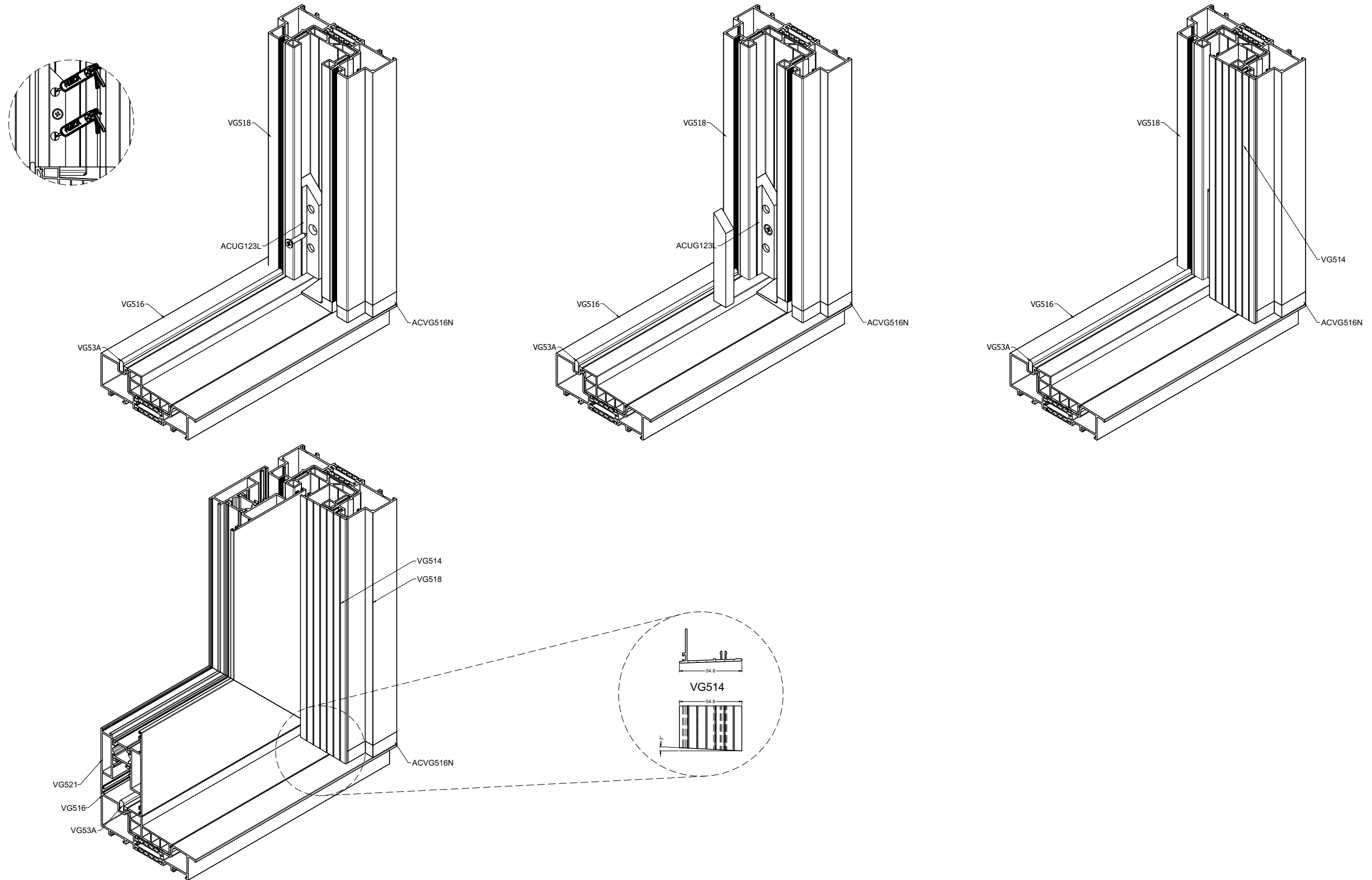
VLAKKE DORPEL
SEUIL PLAT
FLACHE UNDERPROFILE
FLAT THRESHOLD



(*) VG516+VG518 => ACVG516N
VG516+VG718 => ACVG1516

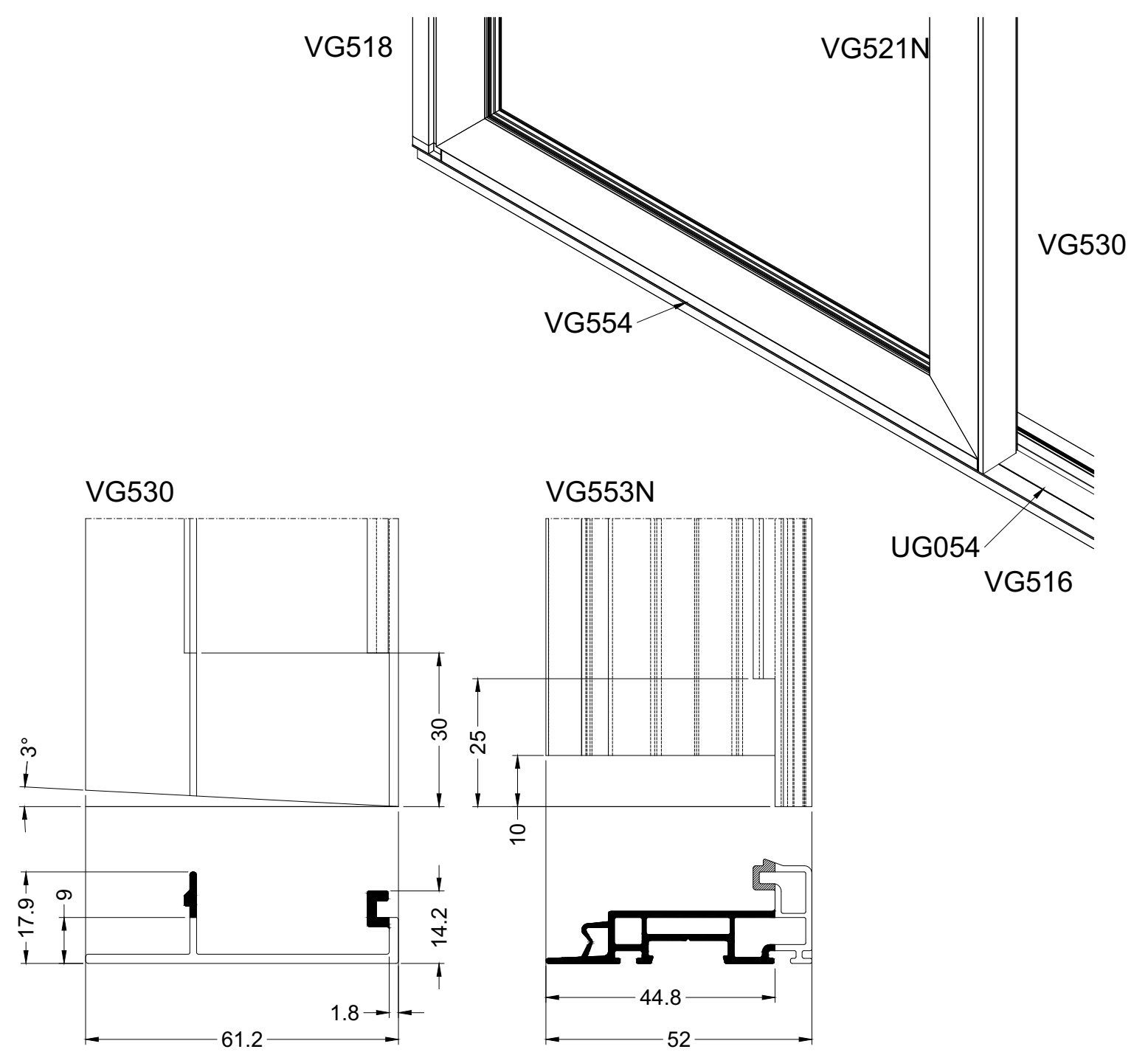
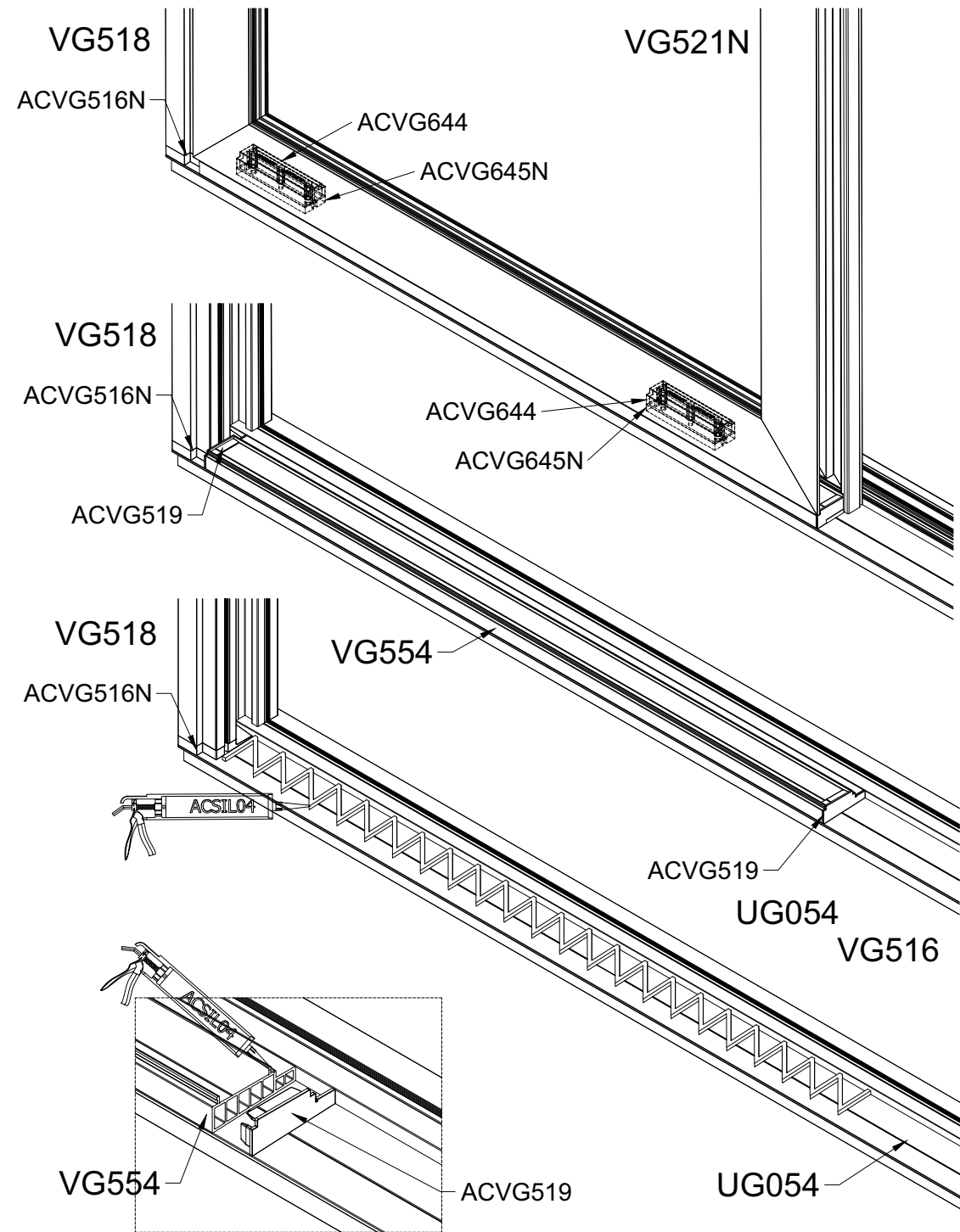


VLAKKE DORPEL - ACUG123
 SEUIL PLAT - ACUG123
 FLACHE UNDERPROFILE - ACUG123
 FLAT THRESHOLD - ACUG123

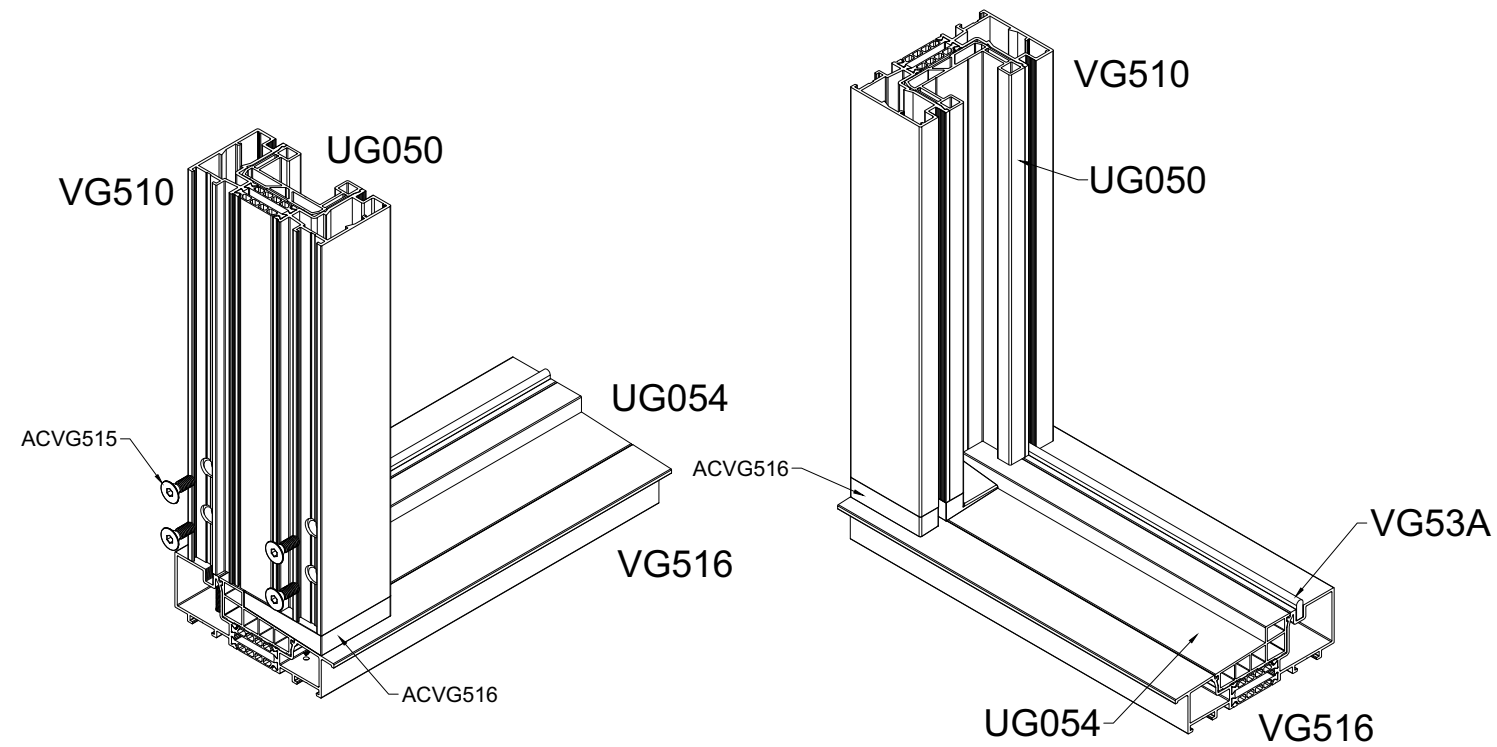
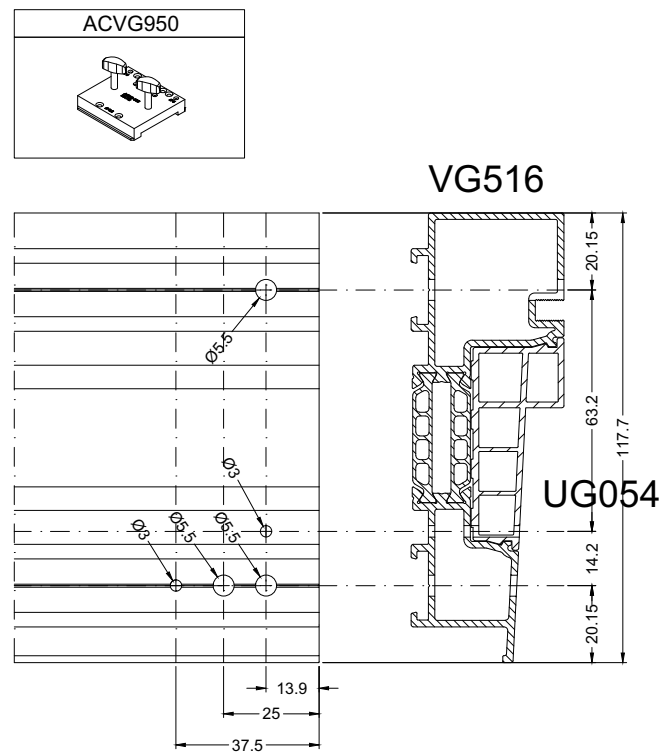
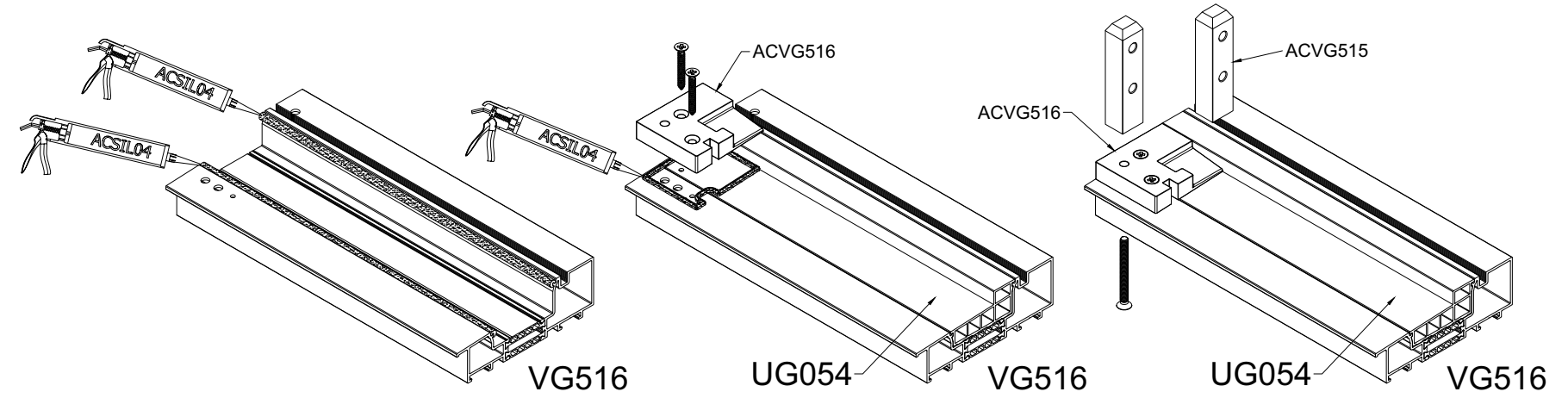
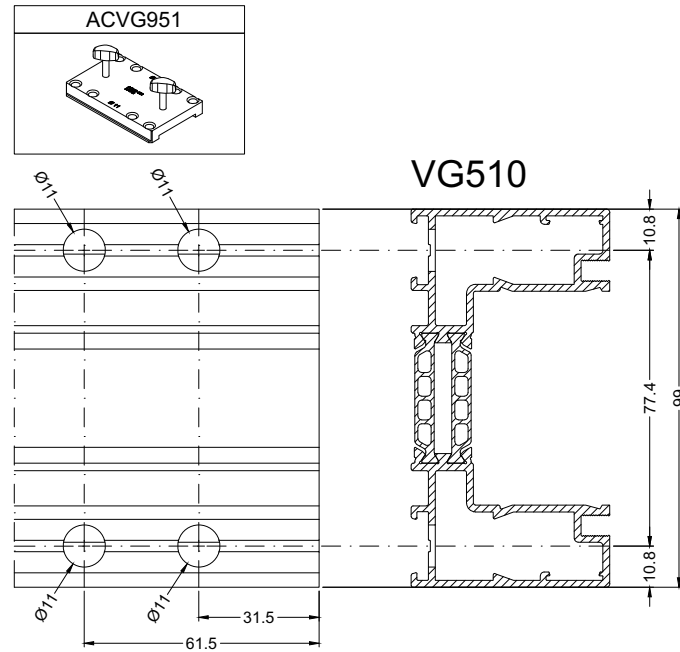


VG500

VLAKKE DORPEL
 SEUIL PLAT
 FLACHE UNDERPROFILE
 FLAT THRESHOLD



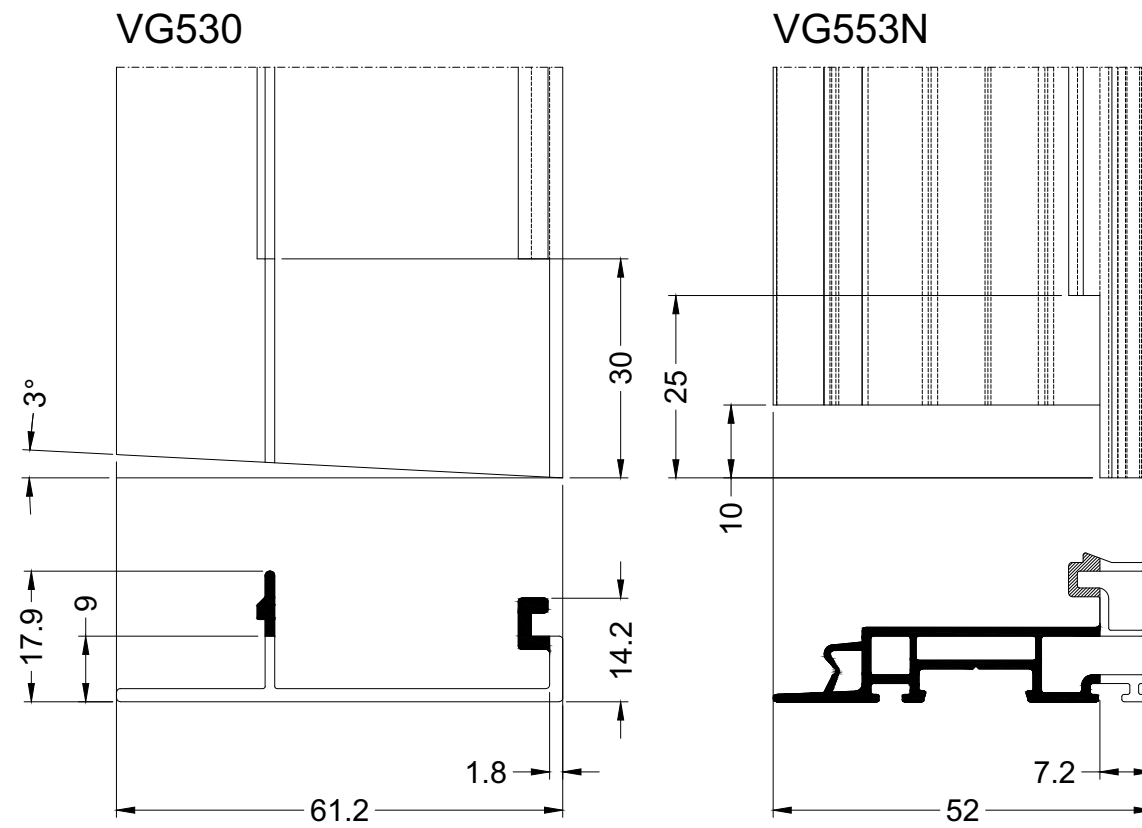
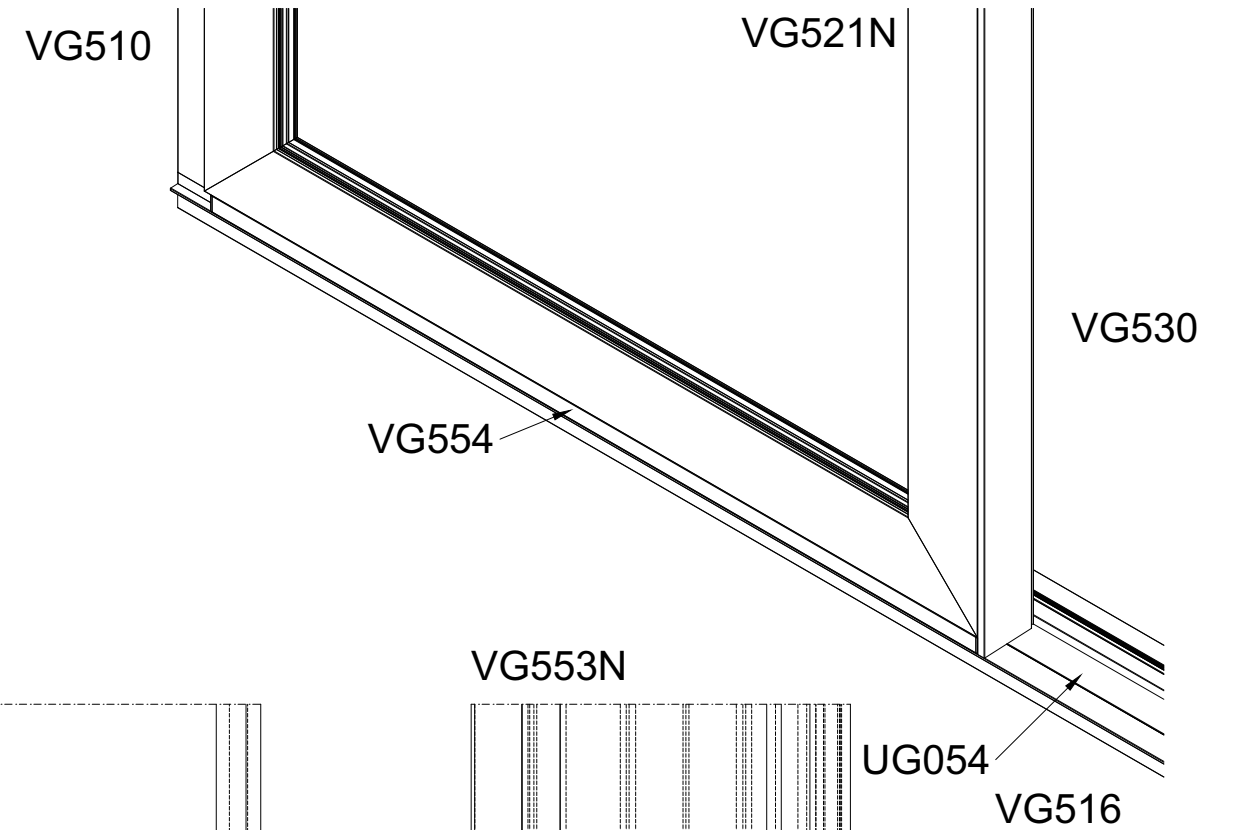
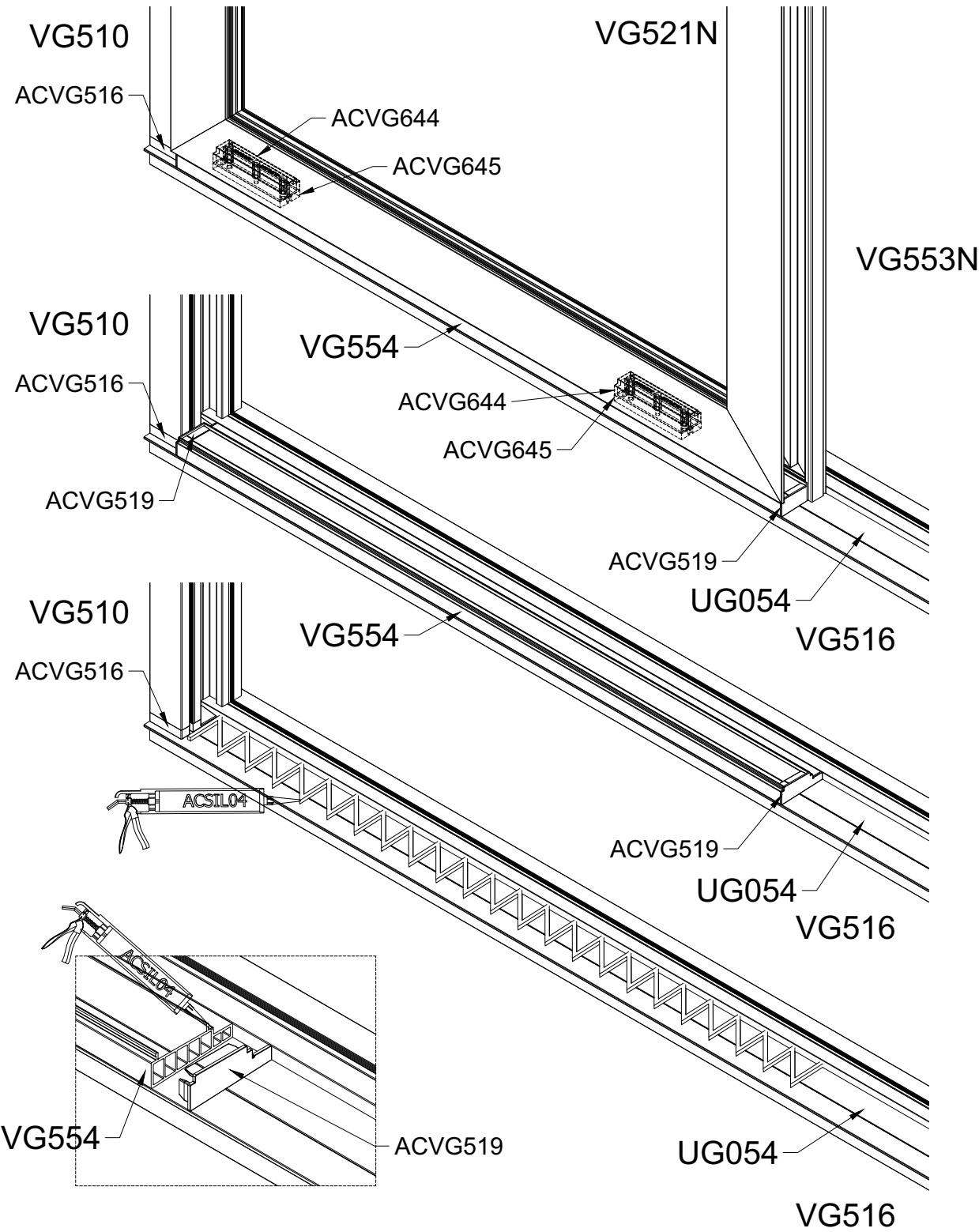
VLAKKE DORPEL
 SEUIL PLAT
 FLACHE UNDERPROFILE
 FLAT THRESHOLD



FLAT1B

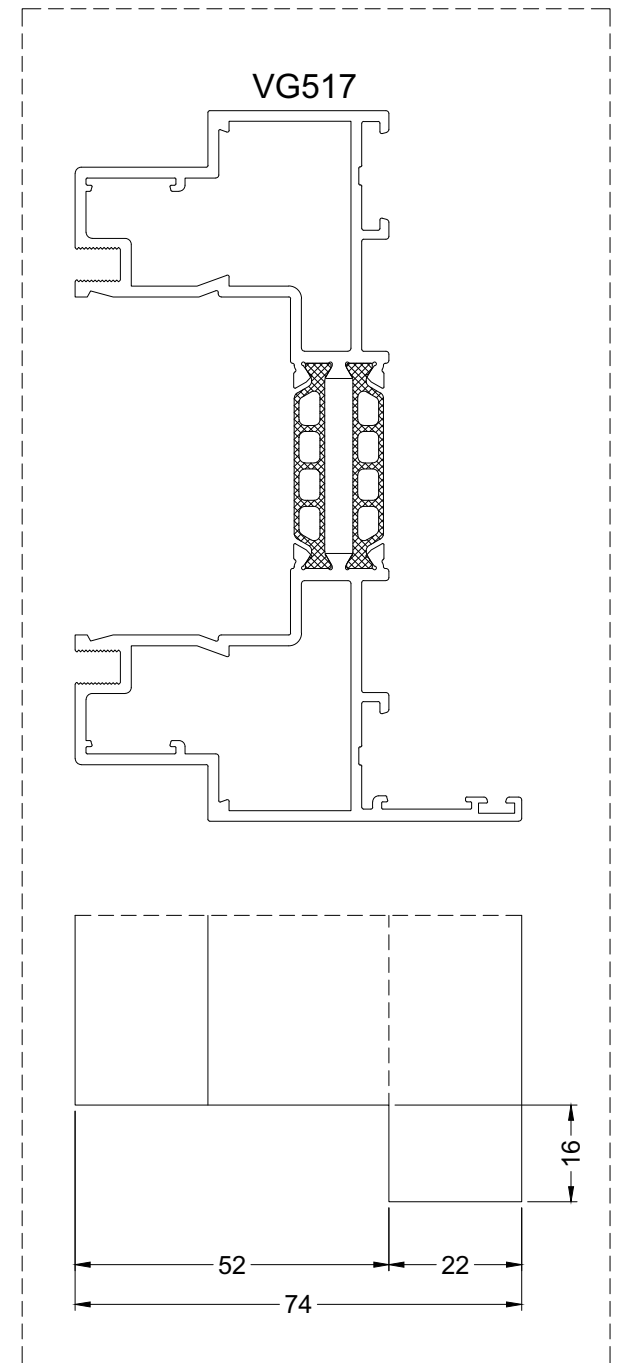
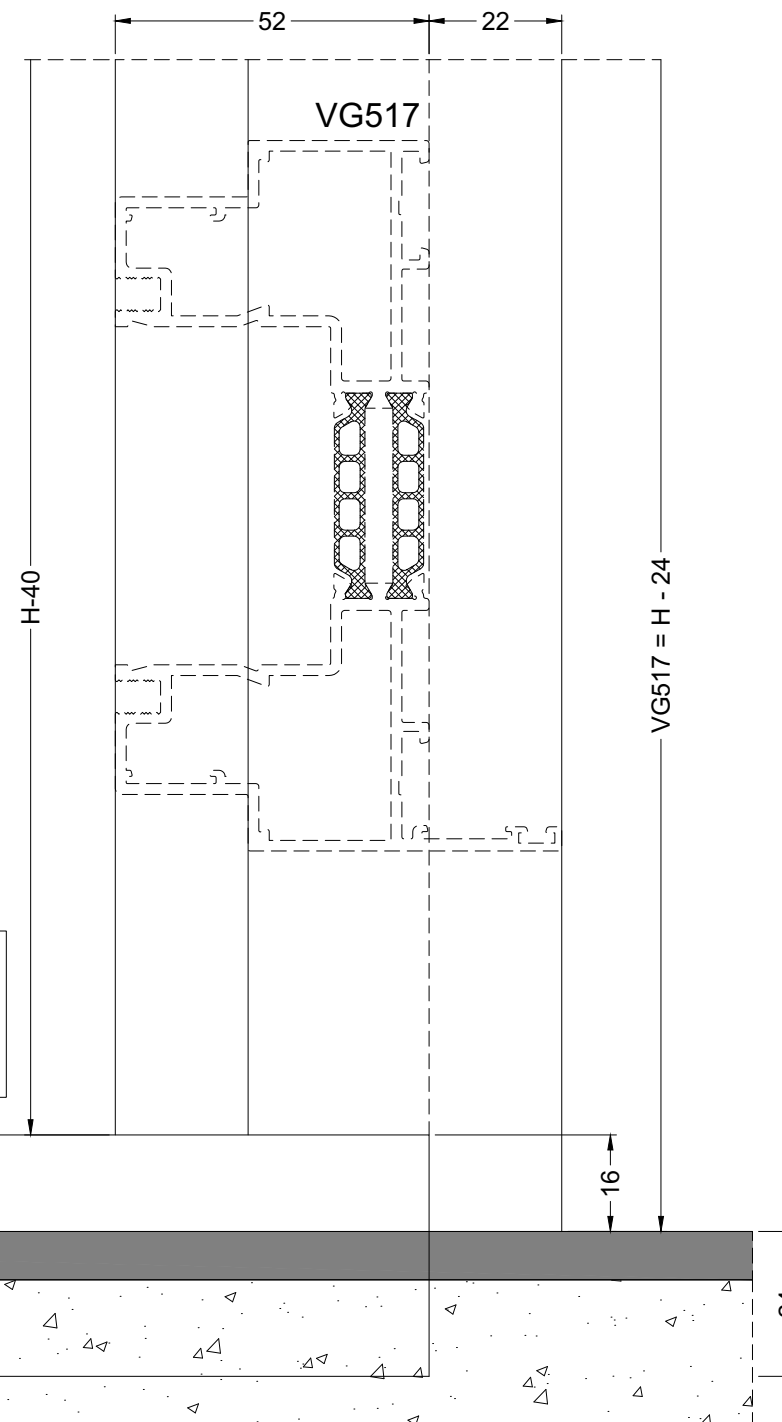
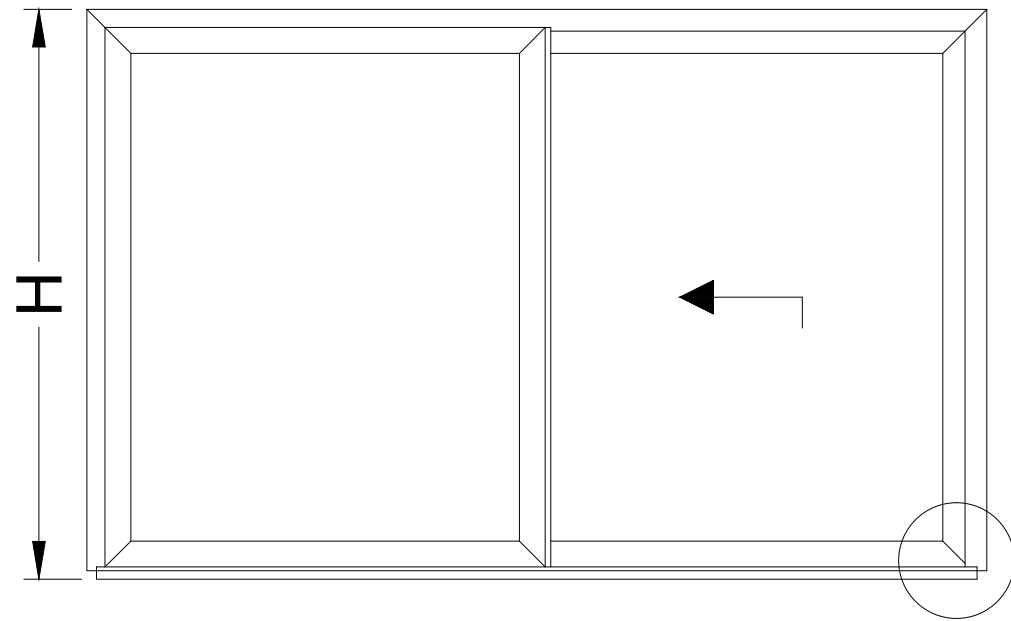
VG500

VLAKKE DORPEL
 SEUIL PLAT
 FLACHE UNDERPROFILE
 FLAT THRESHOLD



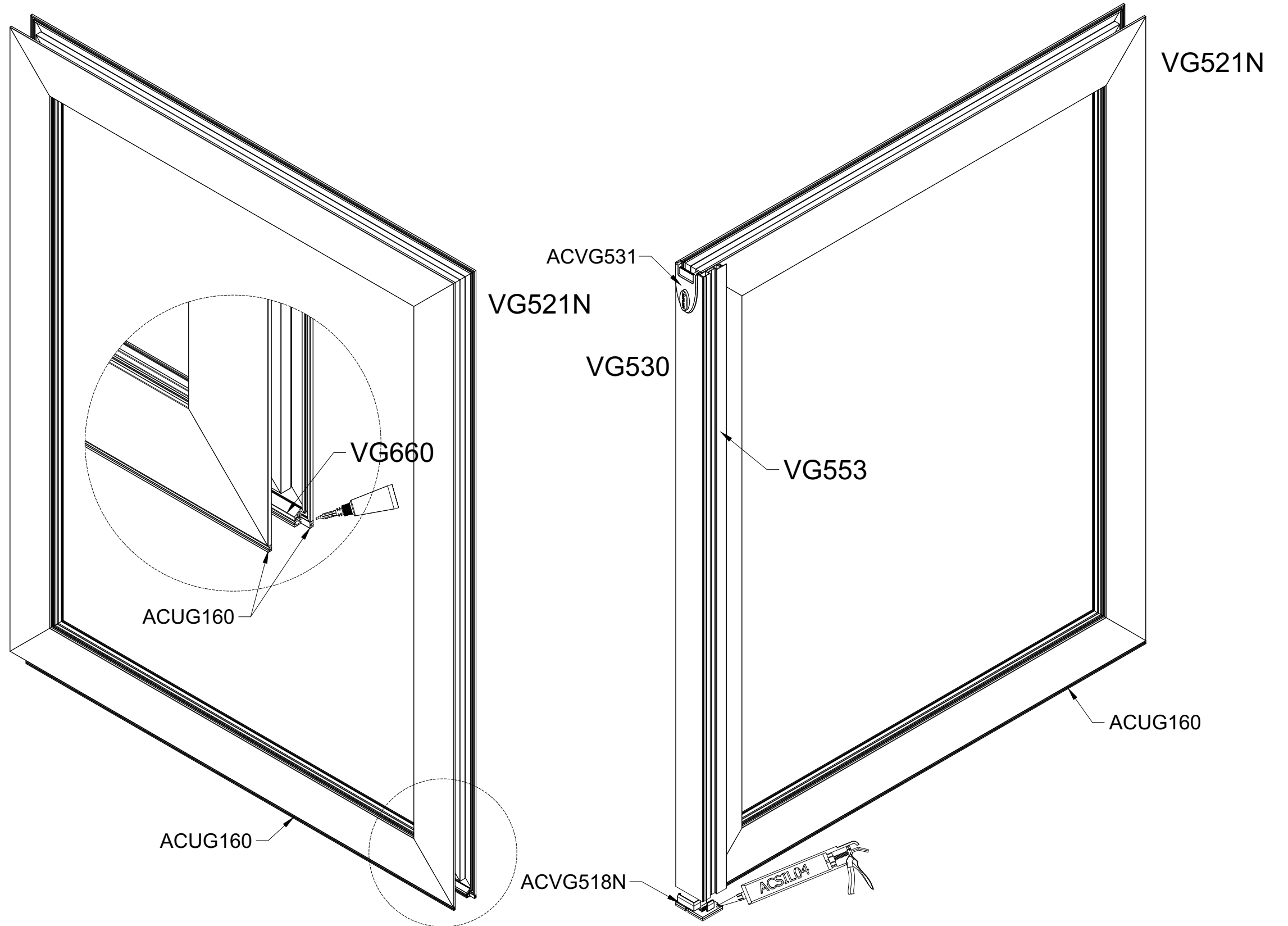
FLAT2B

VLAKKE DORPEL VG516+VG517
 SEUIL PLAT VG516+VG517
 FLACHE UNDERPROFILE VG516+VG517
 FLAT THRESHOLD VG516+VG517

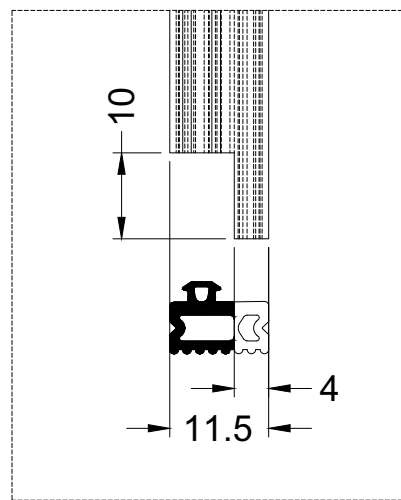


VG500

VLAKKE DORPEL
SEUIL PLAT
FLACHE UNDERPROFILE
FLAT THRESHOLD

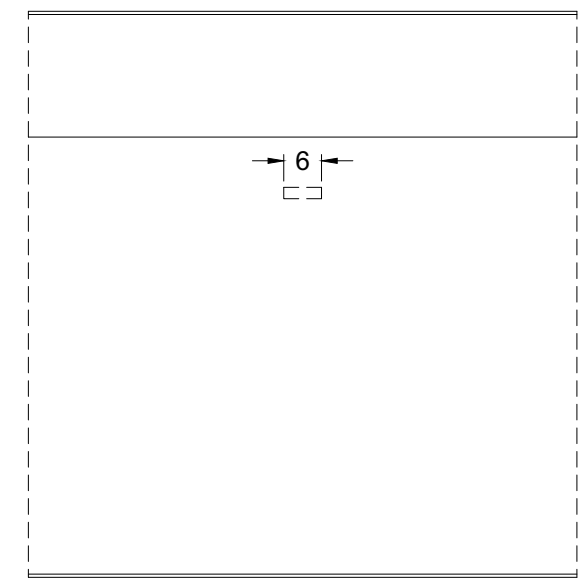
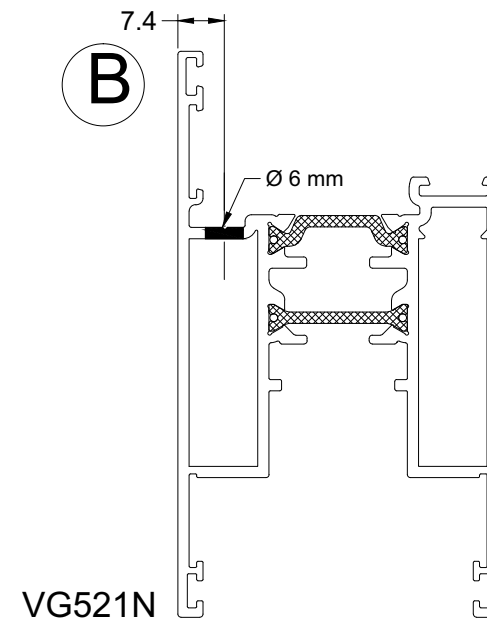
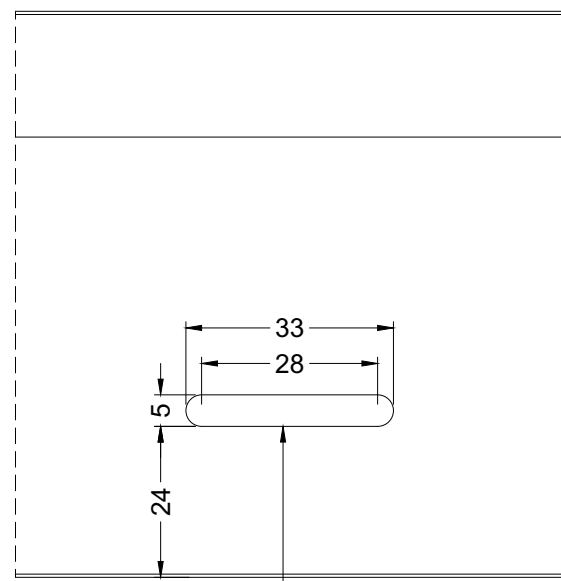
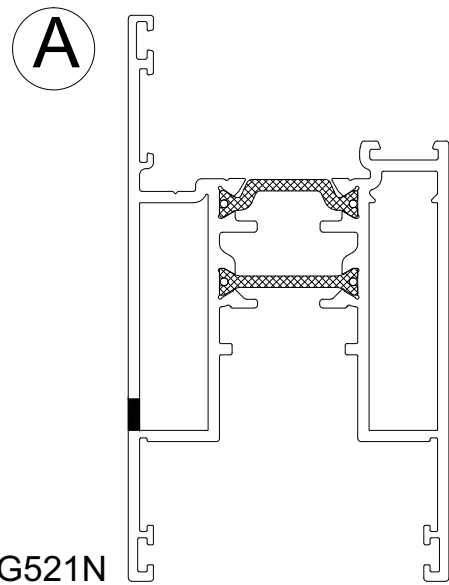
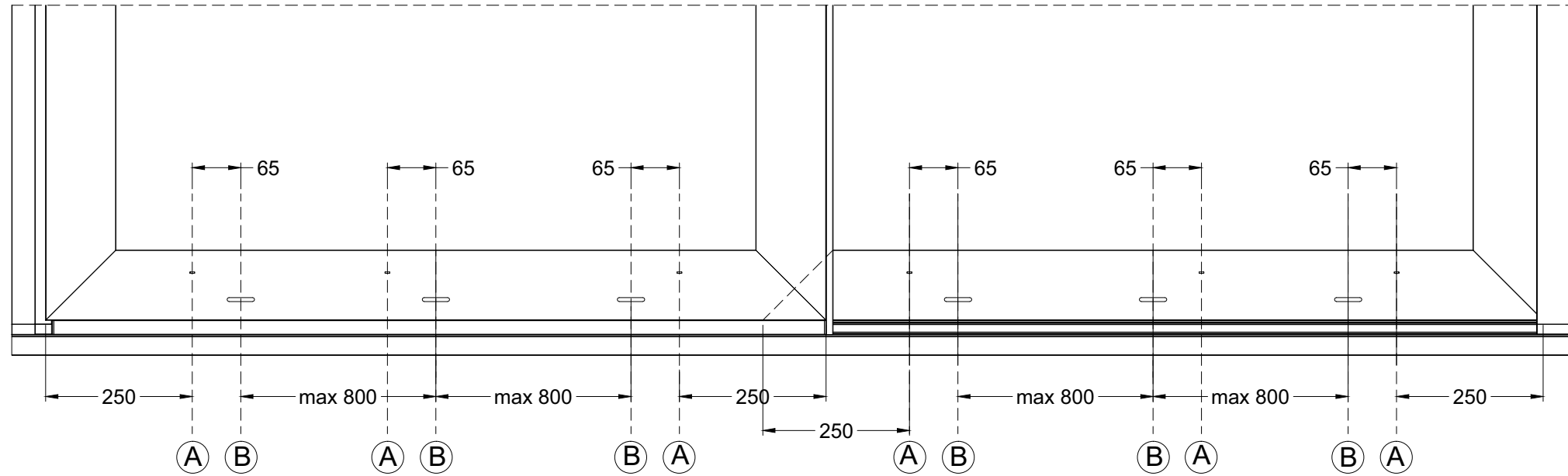


ACUG160



FLAT3

VLAKKE DORPEL-ONTWATERING
 SEUIL PLAT-DRAINAGE
 FLACHE UNDERPROFILE-DRAINAGE
 FLAT THRESHOLD-DRAINAGE

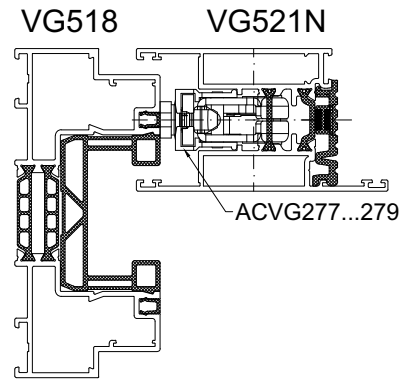


OPTIONEEL
 EN OPTION
 FAKULTATIV
 OPTIONEL

ALIPLAST
 ACUN667

VG500

VLAKKE DORPEL
SEUIL PLAT
FLACHE UNDERPROFILE
FLAT THRESHOLD

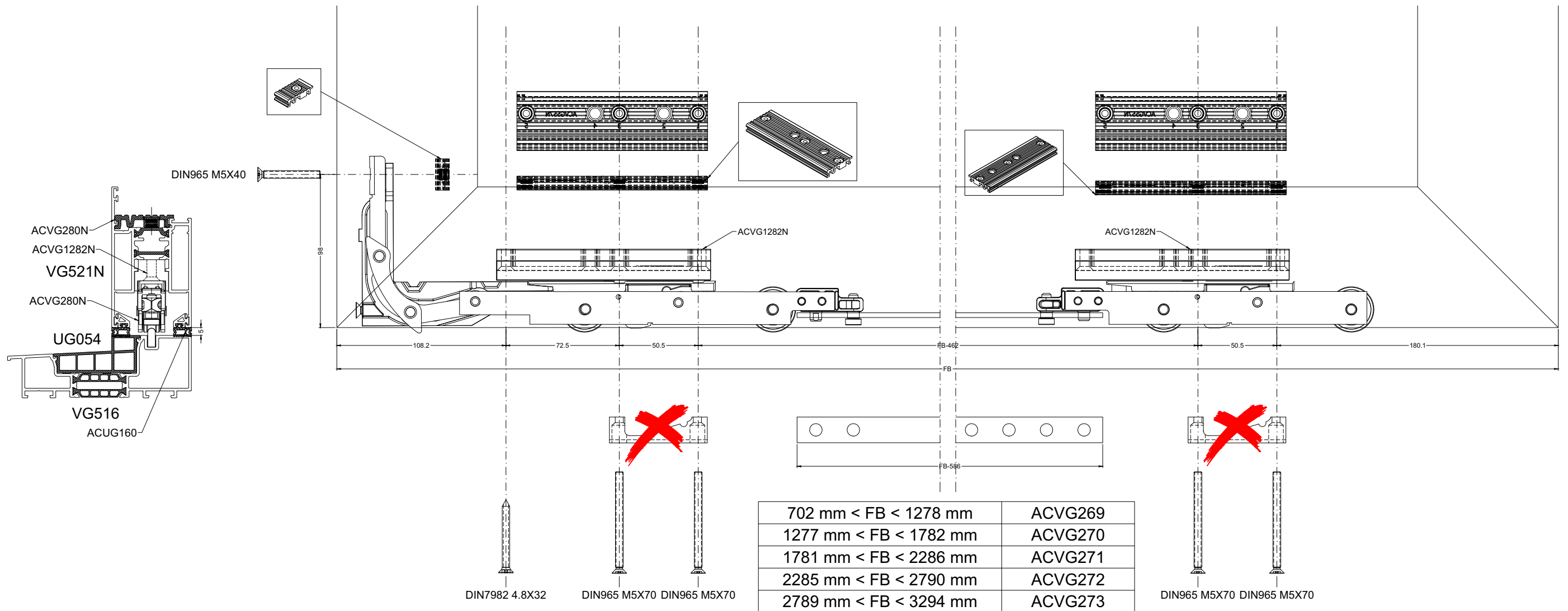
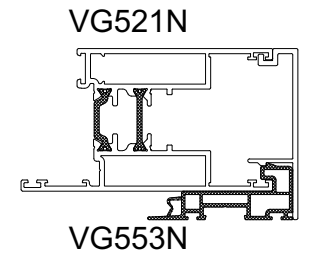


FB

VLEUGELBREEDTE
LARGEUR VANTAIL
BREITE FLUGEL
WIDTH SASH

MAXIMAAL VLEUGELGEWICHT
POIDS MAXIMUM PAR VANTAIL
MAXIMAL FLUGELGEWICHT
MAX. WEIGHT OF THE VENT

200 KG



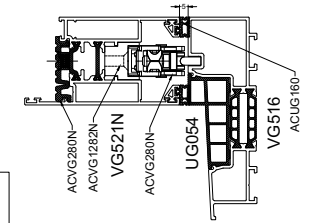
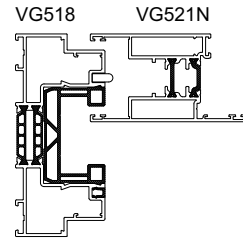
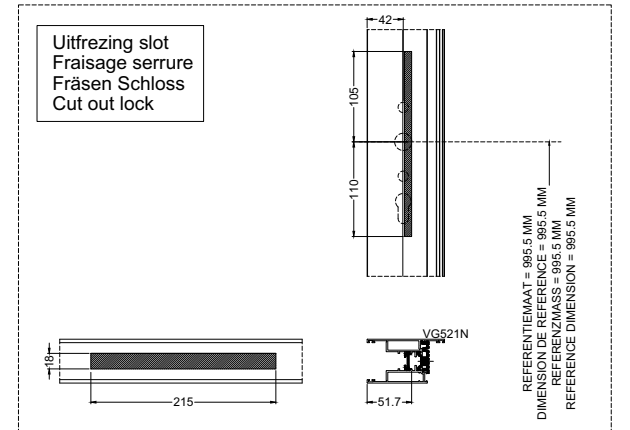
FLAT-LIFT&SLIDE

VLAKKE DORPEL
SEUIL PLAT
FLACHE UNDERPROFILE
FLAT THRESHOLD

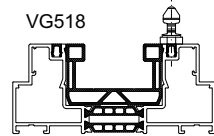
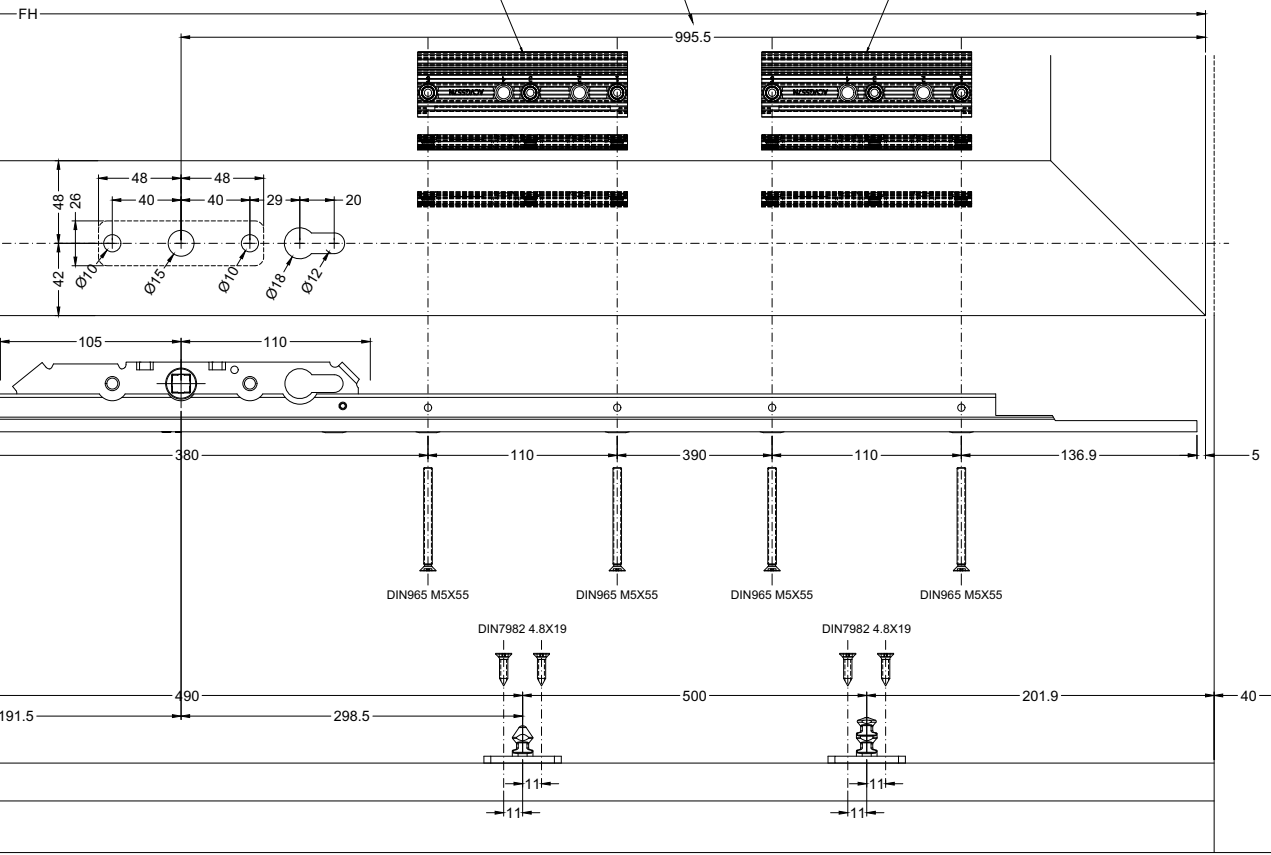
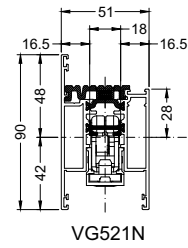
OVERZICHT, ZIE SZ CATALOGUS
APERÇU, VOIR LE CATALOGUE SZ
OVERVIEW, SEE SZ CATALOG
UEBERSICHT, SIEHE SZ KATALOG

| EXT. | INT. | | | |
|----------------------|---------|---------|----------|----------------|
| ACSZ860 | ACSZ861 | ACMX209 | ACMX0040 | DIN965 M6 x 70 |
| | ACSZ863 | | ACMX0040 | |
| ACSZ862 | ACSZ861 | | ACMX4040 | |
| | ACSZ863 | | ACMX0040 | |
| ACSZ870 | ACSZ861 | ACMX009 | ACMX0040 | DIN965 M6 x 60 |
| | ACSZ863 | | ACMX0040 | |
| ACSZ871 | ACSZ861 | | ACMX3040 | |
| | ACSZ863 | | ACMX4050 | |
| ACSZ871 + ACSZ400 | ACSZ861 | | | |
| | ACSZ863 | | | |

| FH | | X | Y |
|--|---------|--------|--------|
| VLEUGELHOOGTE HAUTEUR D'OUVRANT FLUGEL HOHE VENT HEIGHT | | (mm) | (mm) |
| 1718 mm < 2218 mm | ACVG277 | 204.5 | 314.5 |
| 2217 mm < 2618 mm | ACVG278 | 604.5 | 714.5 |
| 2617 mm < ... | ACVG279 | 1004.5 | 1114.5 |



REFERENTIEMAAT
DIMENSION DE REFERENCE
REFERENZMASS
REFERENCE DIMENSION



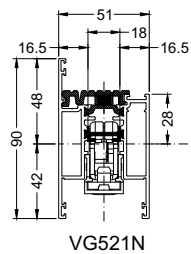
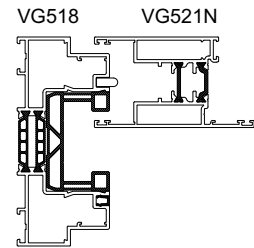
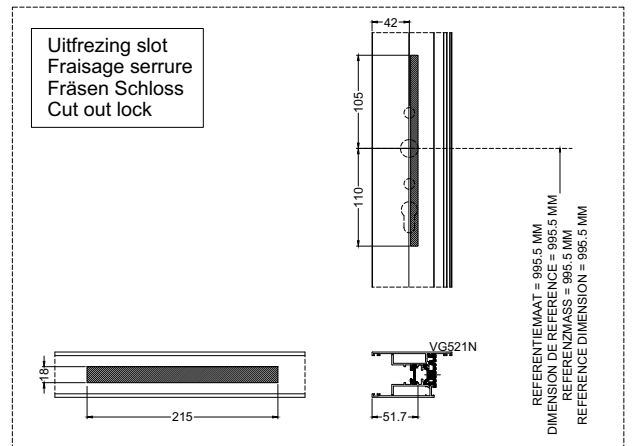
VG500

VLAKKE DORPEL (VG632)
 SEUIL PLAT (VG632)
 FLACHE UNDERPROFILE (VG632)
 FLAT THRESHOLD (VG632)

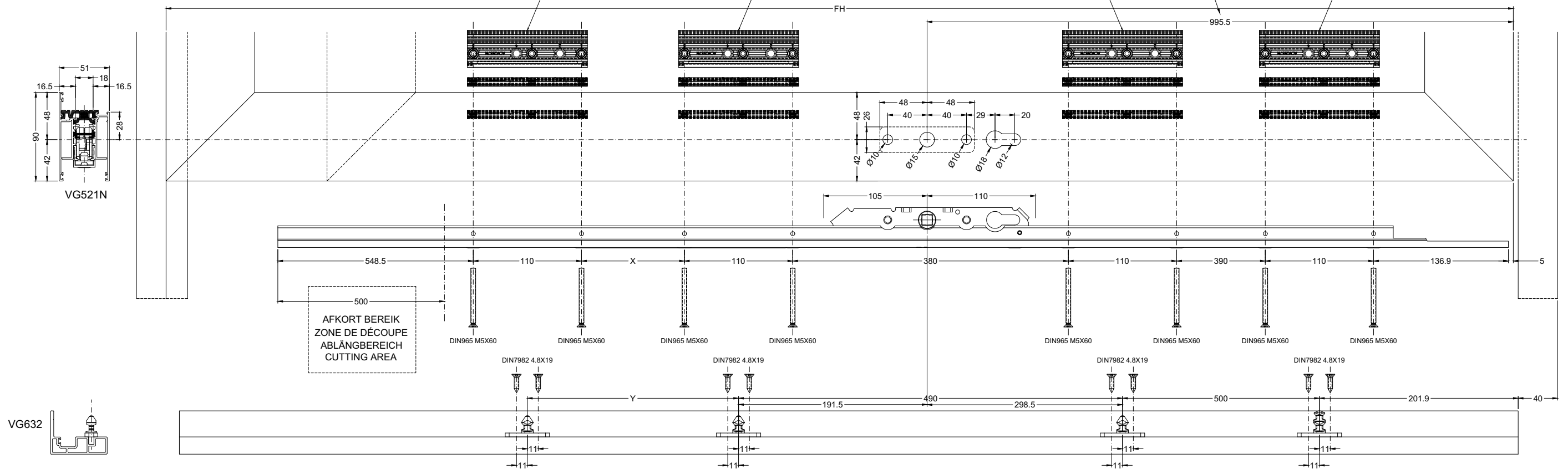
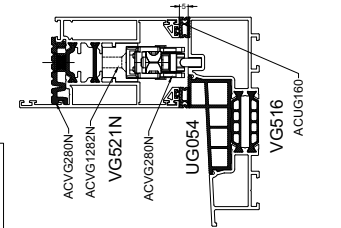
OVERZICHT, ZIE SZ CATALOGUS
 APERCU, VOIR LE CATALOGUE SZ
 OVERVIEW, SEE SZ CATALOG
 UEBERSICHT, SIEHE SZ KATALOG

| EXT. | INT. | | | 2x | |
|----------------------|---------|---------|----------|----------------|----------|
| ACSZ860 | ACSZ861 | ACMX209 | ACMX0040 | DIN965 M6 x 70 | |
| | ACSZ863 | | | | |
| ACSZ862 | ACSZ861 | | | | ACMX0040 |
| | ACSZ863 | | | | ACMX4040 |
| ACSZ870 | ACSZ861 | ACMX009 | ACMX0040 | DIN965 M6 x 60 | |
| | ACSZ863 | | | | |
| ACSZ871 | ACSZ861 | | | | ACMX0040 |
| | ACSZ863 | | | | ACMX3040 |
| ACSZ871 + ACSZ400 | ACSZ861 | ACMX009 | ACMX4050 | DIN965 M6 x 60 | |
| | ACSZ863 | | | | |

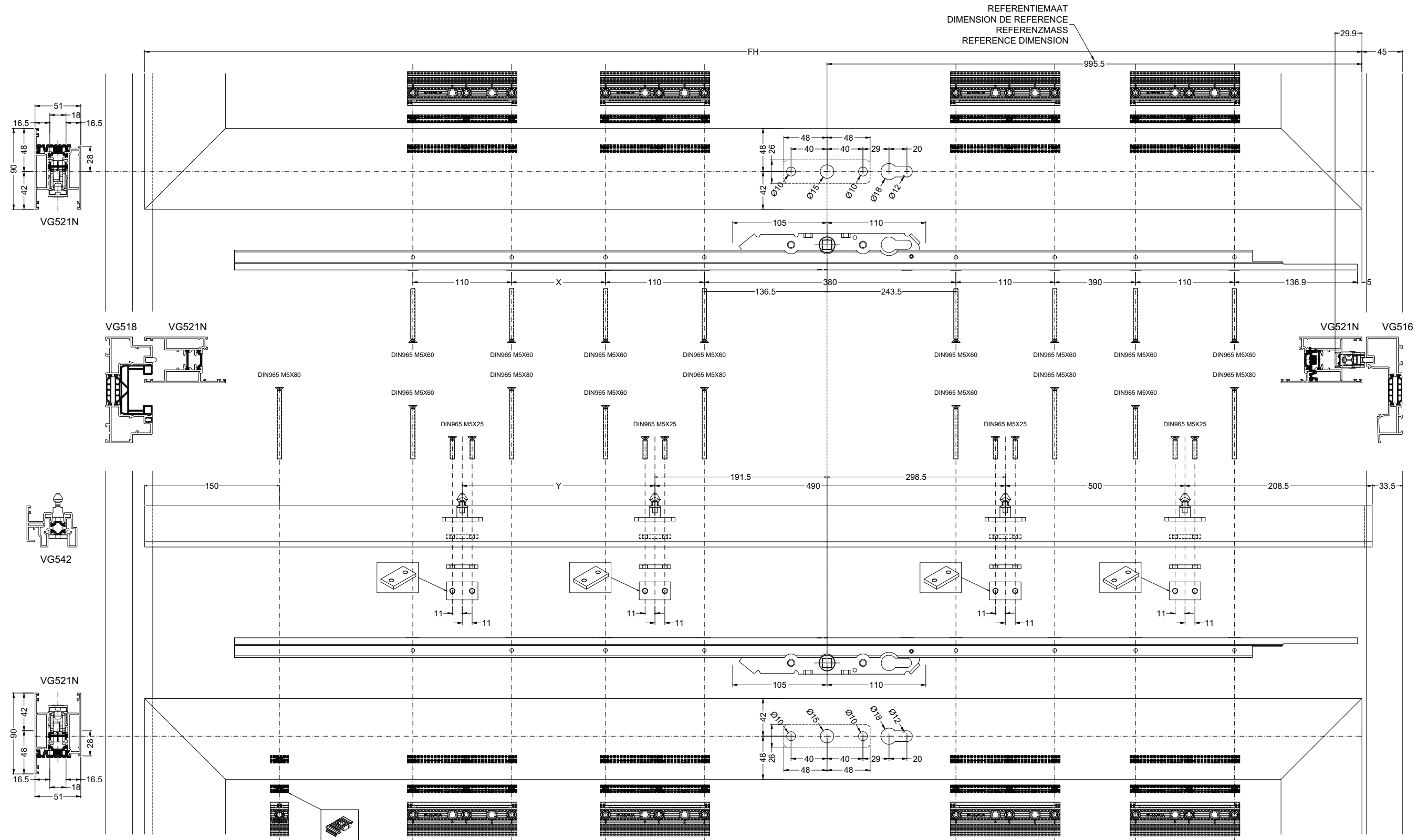
| FH | | X | Y |
|--|---------|--------|--------|
| VLEUGELHOOGTE HAUTEUR D'OUVRANT FLUGEL HOHE VENT HEIGHT | | (mm) | (mm) |
| 1718 mm < 2218 mm | ACVG277 | 204.5 | 314.5 |
| 2217 mm < 2618 mm | ACVG278 | 604.5 | 714.5 |
| 2617 mm < ... | ACVG279 | 1004.5 | 1114.5 |



REFERENTIEMAAT
 DIMENSION DE REFERENCE
 REFERENZMASS
 REFERENCE DIMENSION



INBOUW HEFSCHUIFDEUR 4-SLAG
 ENCASTREMENT SOULEVENT COULISSANT 4 VANTAUX
 EINBAU HEBESCHIEBETUER 4 FLUEGEL
 EMBEDDING LIFT AND SLIDE 4 DOOR



WERKTEKENINGEN - DESSINS DE CONSTRUCTION - KONSTRUKTIONZEICHNUNGEN - CONSTRUCTION DRAWINGS

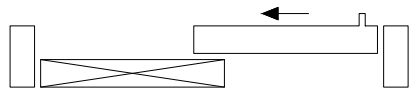
VG500

INBOUW HEFSCHUIFDEUR **HS**

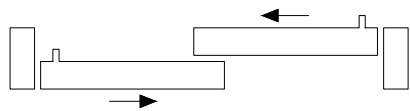
ENCASTREMENT SOULEVENT COULISSANT **HS**

EINBAU HEBESCHIEBETUER **HS**

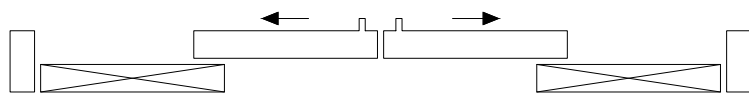
EMBEDDING LIFT AND SLIDE **HS**



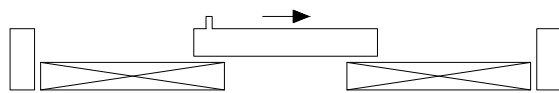
SCHEMA A: 2RAIL-1F-2O



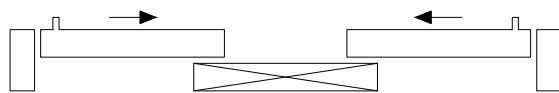
SCHEMA B: 2RAIL-1O-2O



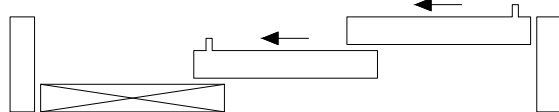
SCHEMA C: 2RAIL-1F-2OX2O-1F



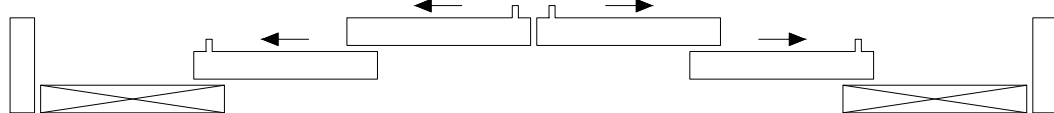
SCHEMA D: 2RAIL-1F-2O-1F



SCHEMA E: 2RAIL-2O-1F-2O



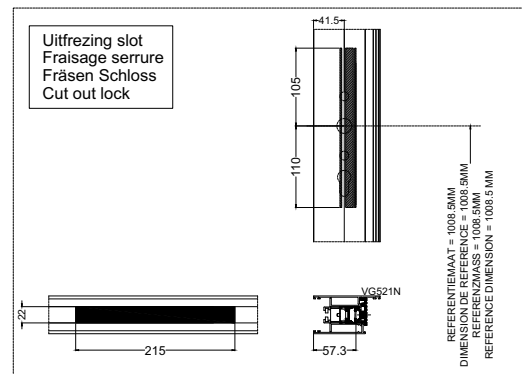
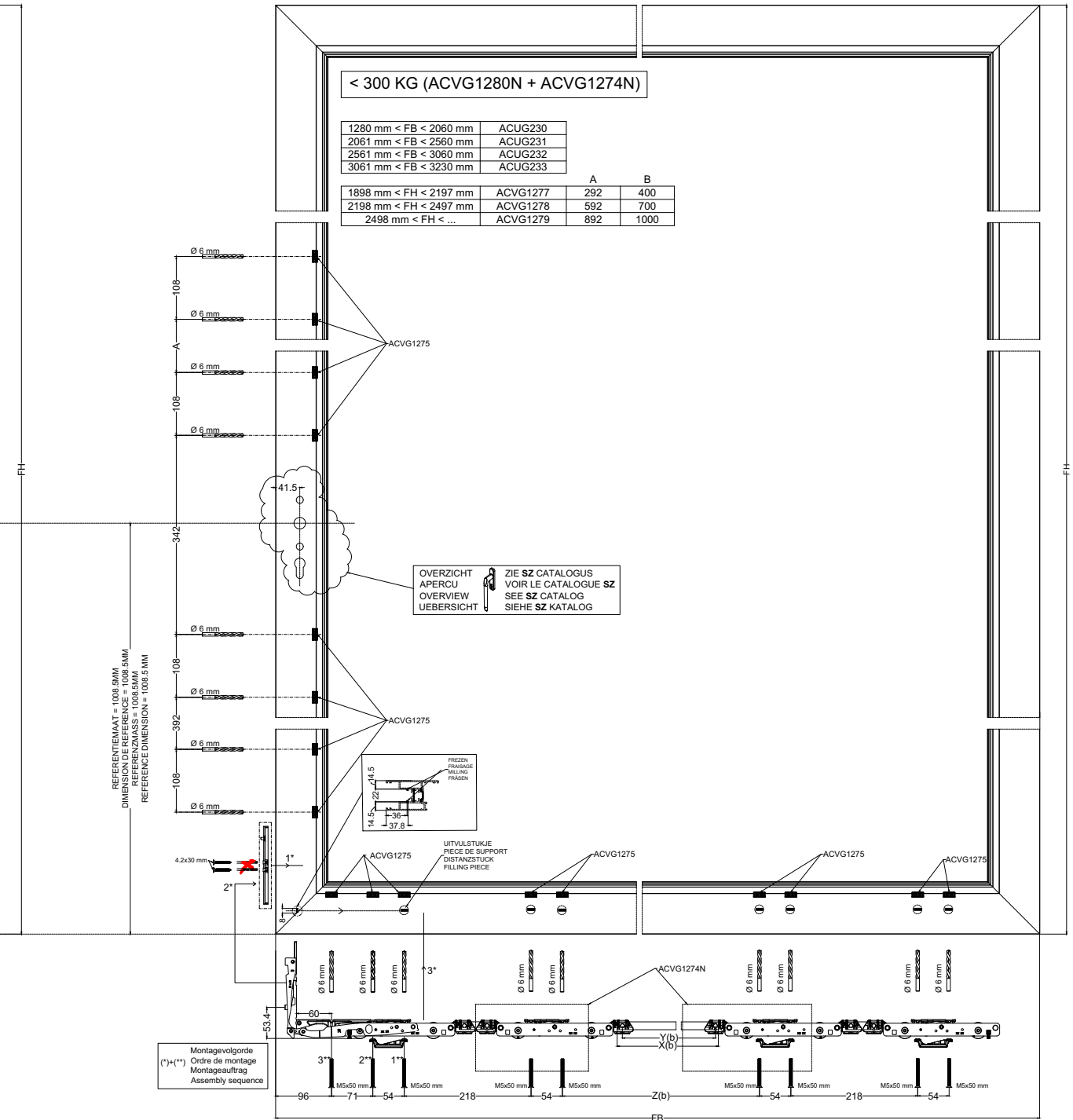
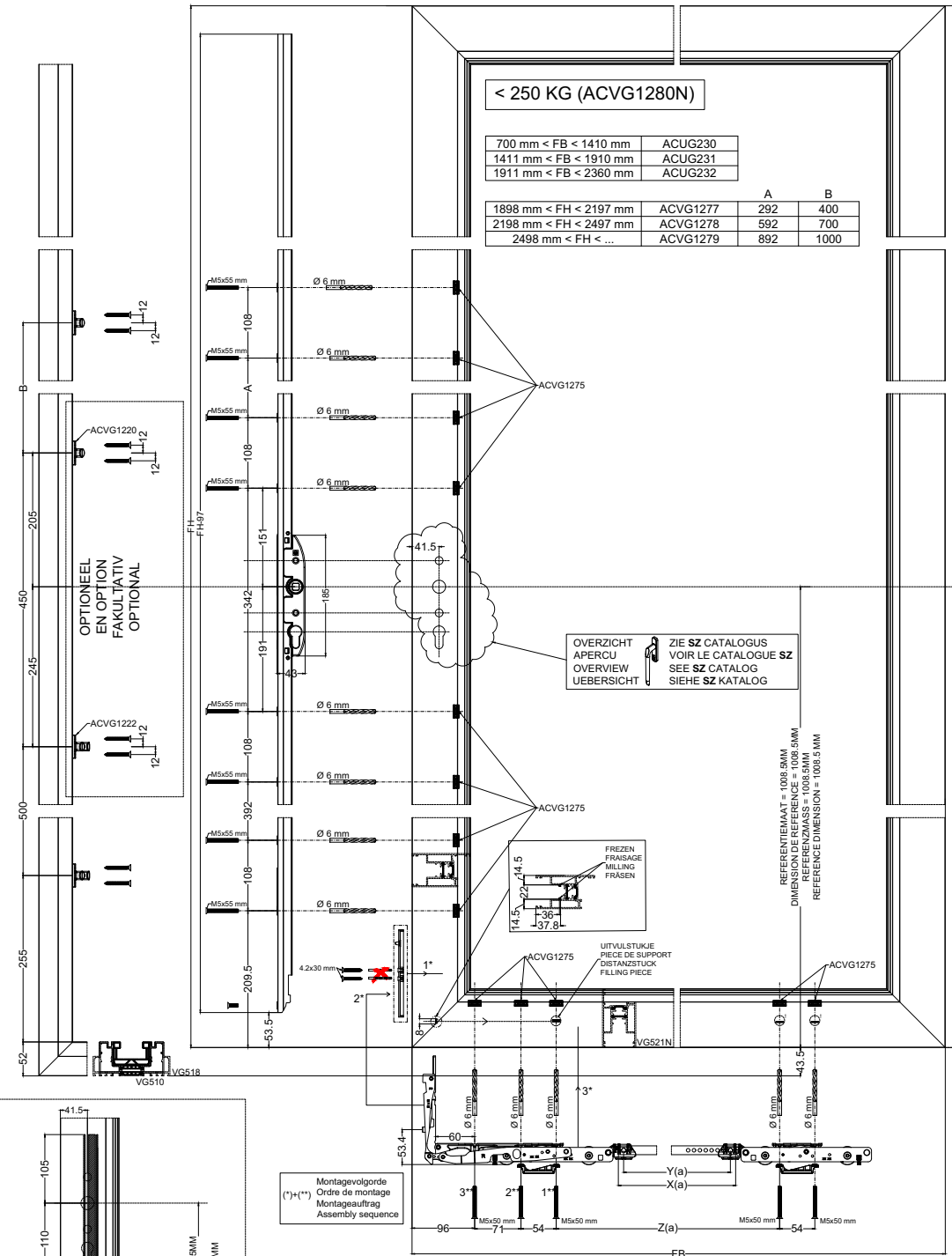
SCHEMA F: 3RAIL-1F-2O-3O



SCHEMA G: 2RAIL-1F-2O-3OX3O-2O-1F

| AANTAL/SCHEMA NOMBRE/SCHEMA ANZAHL/SCHEMA NUMBER/SCHEMA | | | | | | | OMSCHRIJVING DESCRIPTION BESCHREIBUNG DESCRIPTION | ARTIKEL ARTICLE ARTIKEL ARTICLE | |
|--|---|------------|---|---|---|------------|---|---|--|
| A | B | C | D | E | F | G | | | |
| 1 | 2 | 2 | 1 | 2 | 2 | 4 | SLOT SERRURE HAKENSCHLOSS LOCK | VLEUGELHOOGTE HAUTEUR D'OUVRANT FLUGEL HOHE VENT HEIGHT 1877 mm - 2176 mm 2177 mm - 2476 mm 2477 mm - ... | ACVG1277 ACVG1278 ACVG1279 |
| 1 | 2 | 2 | 1 | 2 | 2 | 4 | BASISSET HEFSCHUIFDEUR STANDAARD: 2-PUNTSLUITING GRUNDKARTON HEBESCHIEBETUER STANDARD: FERMETURE A 2 POINTS BASIC SET LIFT AND SLIDING DOOR STANDARD: 2-FACHVERRIEGELUNG SET DE BASE SOULEV. COULISSANT STANDARD: 2-POINT LOCK MAX.: 250 KG | ACVG1280N | |
| MAX.: 2 | | | | | | | BIJKOMEND SLOTPAD GACHE SUPPLEMENTAIRE ZUSAETZLICHES SCHLISSBLECH SUPPLEMENTARY RECEIVER | ACVG1220 | |
| OPTIONEEL EN OPTION FAKULTATIV OPTIONAL | | | | | | | SET SLUITNOKKEN 4-SLAG HS-VG500 SET DE GACHES 4 VANTAUX HS-VG500 SET RIEGELBOLZEN STULPTUERFLUEGEL HS-VG500 SET LOCKING BOLTS 4 DOOR HS-VG500 | ACVG1240 | |
| | | 1 (+ 1) | | | | 1 (+ 1) | BEVESTIGINGSSET VG542 SET POUR FIXATION VG542 SET ZUR BEFESTIGUNG VG542 FIXATION SET VG542 | ACVG1276 | |
| | | 1 | | | | 1 | SLUITPUNT 4 VLEUGELS POINT DE FERMETURE 4 VANTAUX SCHLIESSPUNKT 4 FLUGEL LOCKING POINT 4 VENTS | ACUG221 | |
| 1 | 2 | 2 | 1 | 2 | 2 | 4 | VERBINDINGSSTANG TIGE DE RACCORDEMENT VERBINDUNGSSTANGE CONNECTING ROD MAX. 250 KG VLEUGELBREEDTE LARGEUR VANTAIL BREITE FLUGEL WIDTH SASH 700 mm - 1410 mm 1411 mm - 1910 mm 1911 mm - 2360 mm | MAX. 300 KG (*) VLEUGELBREEDTE LARGEUR VANTAIL BREITE FLUGEL WIDTH SASH 1280 mm - 2060 mm 2061 mm - 2560 mm 2561 mm - 3060 mm 3061 mm - 3230 mm | ACUG230 ACUG231 ACUG232 ACUG233 |
| 1 | 2 | 2 | 1 | 2 | 2 | 4 | LOOPWAGEN ROULETTES LAUFWAGEN ROLLERS MAX.: 300 KG | ACVG1274N (*) | |

INBOUW HEFSCHUIFDEUR **HS**
 ENCASTREMENT SOULEVENT COULISSANT **HS**
 EINBAU HEBESCHIEBETUER **HS**
 EMBEDDING LIFT AND SLIDE **HS**

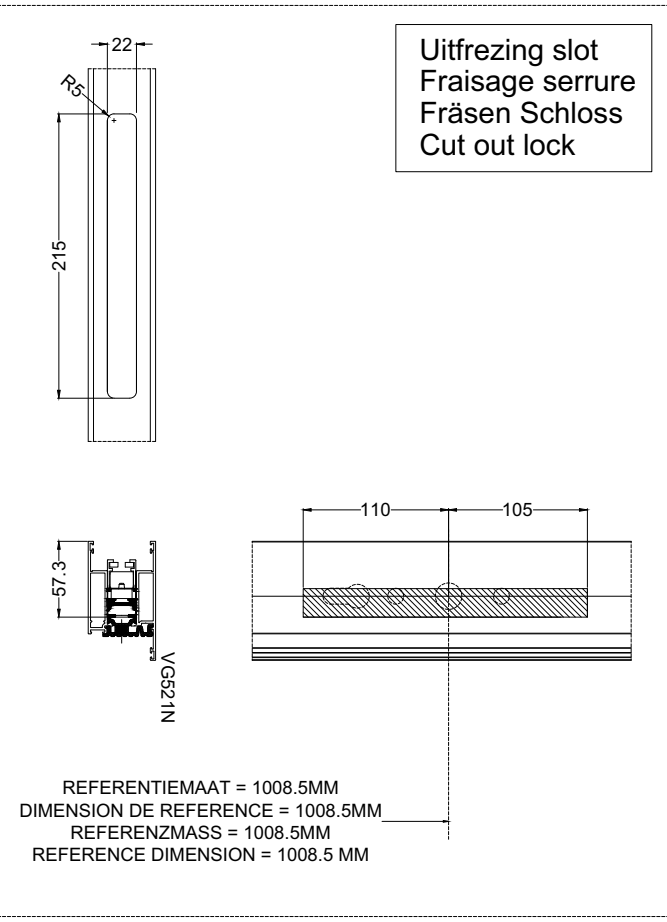
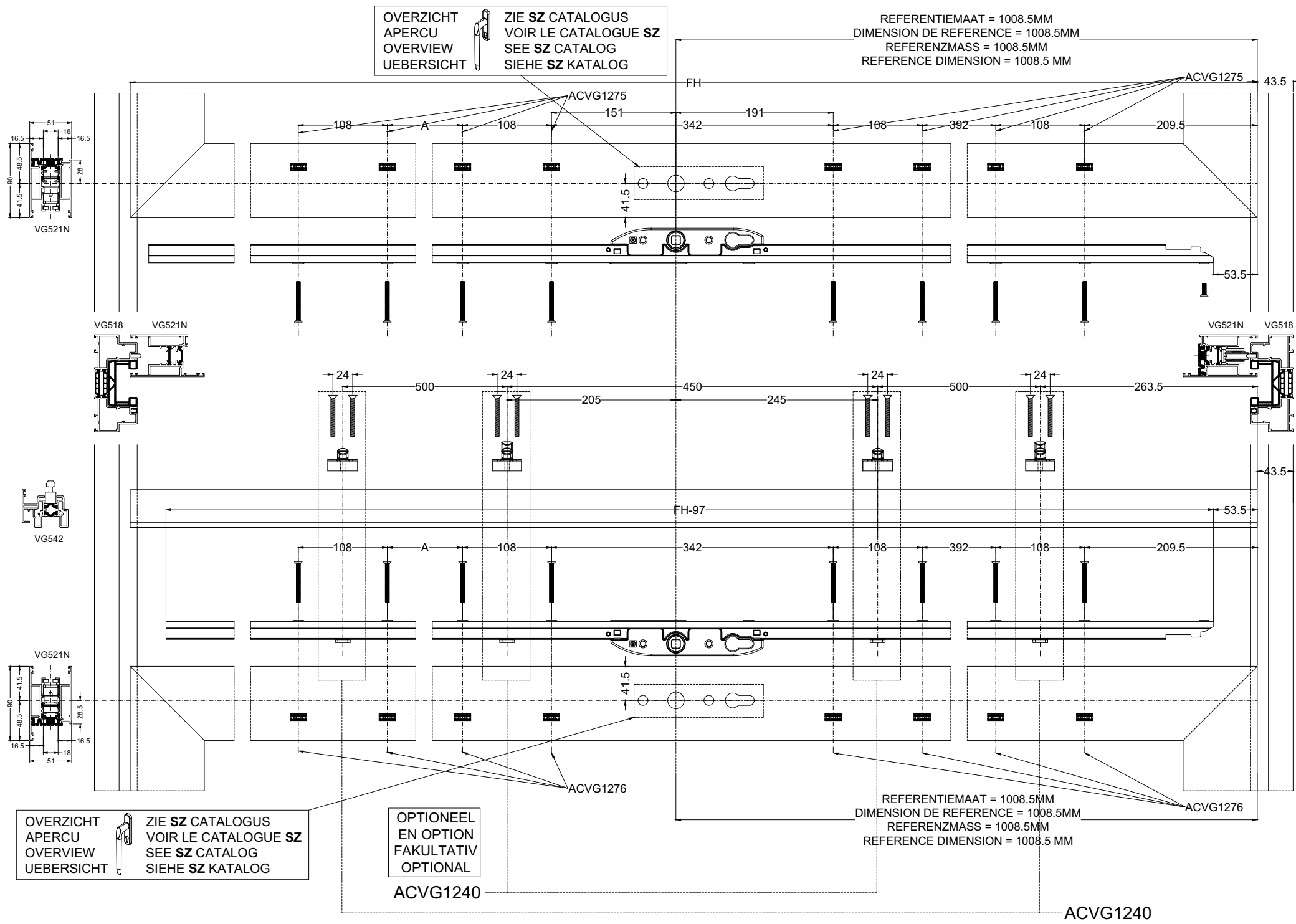


LIFT-SLIDE HS-VG500 - N

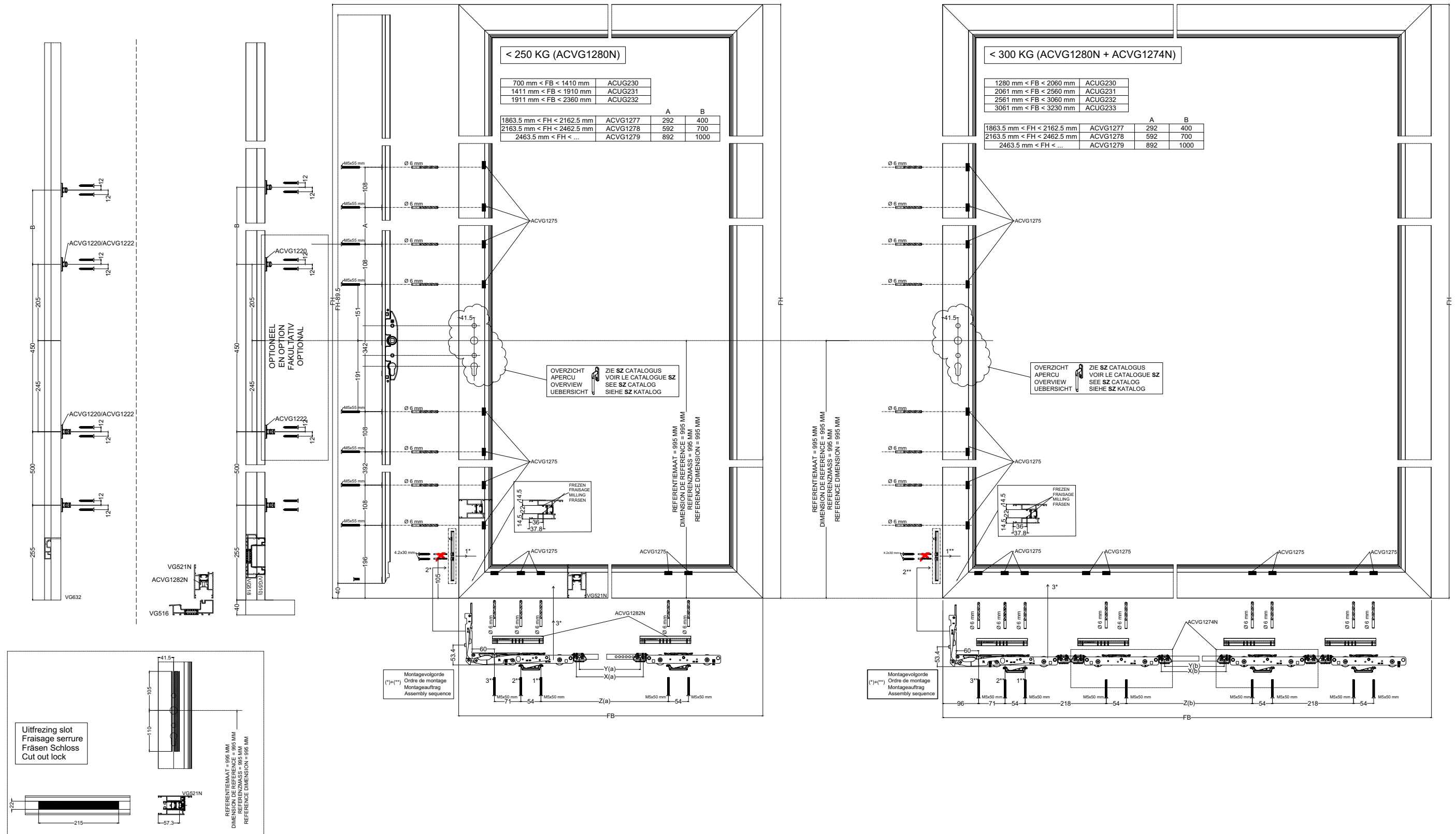


VG500

INBOUW HEFSCHUIFDEUR 4-SLAG **HS**
 ENCASTREMENT SOULEVENT COULISSANT 4 VANAUX **HS**
 EINBAU HEBESCHIEBETUER 4 FLUEGEL **HS**
 EMBEDDING LIFT AND SLIDE 4 DOOR **HS**



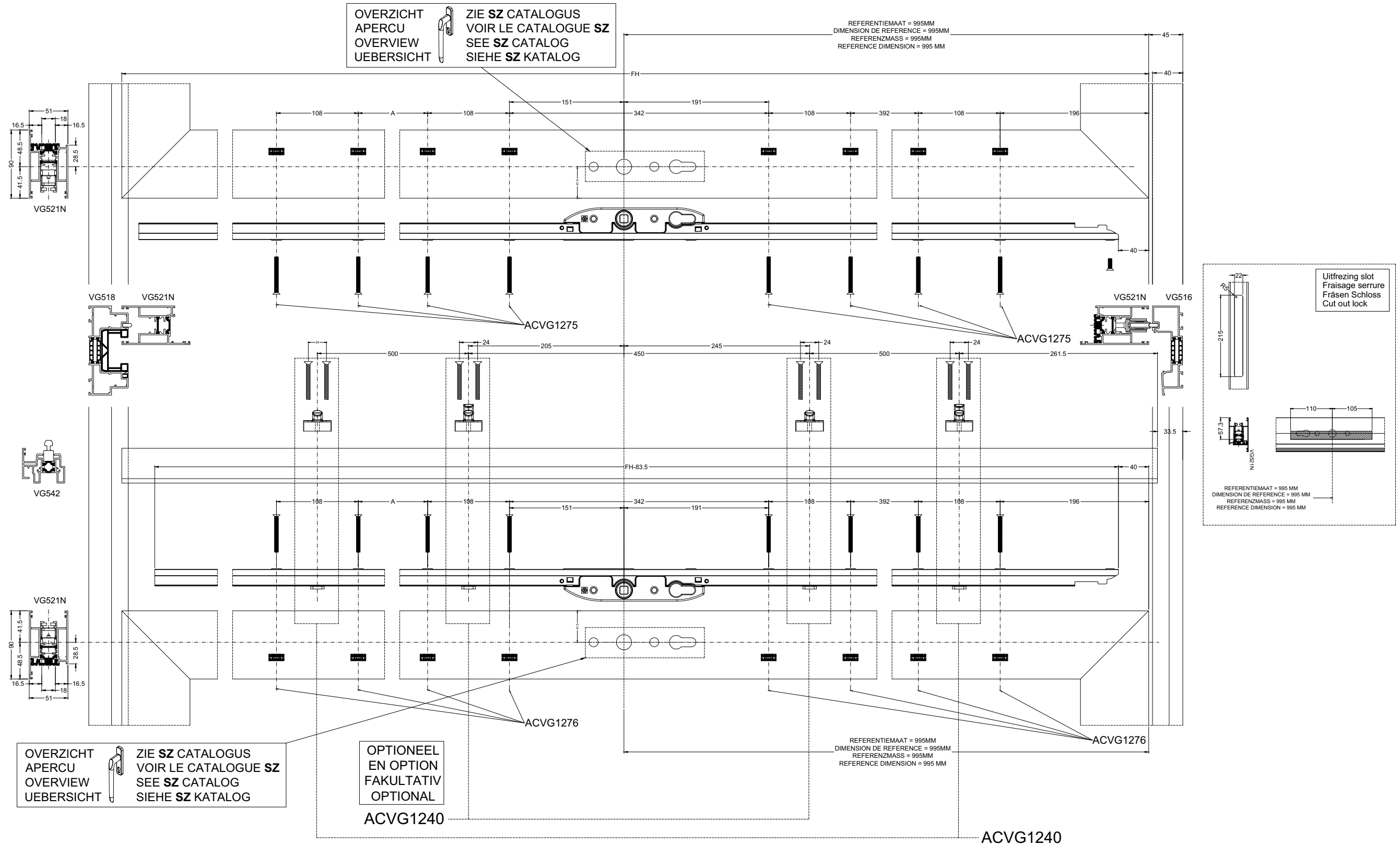
INBOUW HEFSCHUIFDEUR **HS** - VLAKKE DORPEL
 ENCASTREMENT SOULEVENT COULISSANT **HS** - SEUIL PLAT
 EINBAU HEBESCHIEBETUER **HS** - FLACHE UNDERPROFILE
 EMBEDDING LIFT AND SLIDE **HS** - FLAT THRESHOLD



LIFT-SLIDE HS-VG500 - FLAT - N

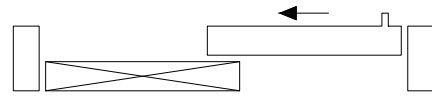
VG500

INBOUW HEFSCHUIFDEUR **HS** - VLAKKE DORPEL
 ENCASTREMENT SOULEVENT COULISSANT **HS** - SEUIL PLAT
 EINBAU HEBESCHIEBETUER **HS** - FLACHE UNDERPROFILE
 EMBEDDING LIFT AND SLIDE **HS** - FLAT THRESHOLD

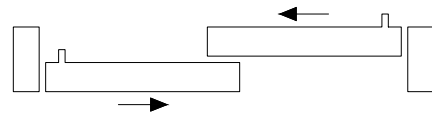


LIFT-SLIDE HS-VG500 - 4SLAG - FLAT

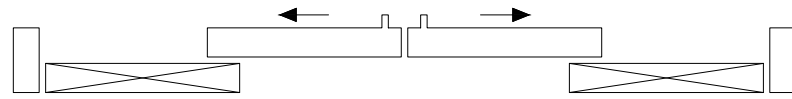
INBOUW HEFSCHUIFDEUR **HS - INVISO**
 ENCASTREMENT SOULEVENT COULISSANT **HS - INVISO**
 EINBAU HEBESCHIEBETUER **HS - INVISO**
 EMBEDDING LIFT AND SLIDE **HS - INVISO**



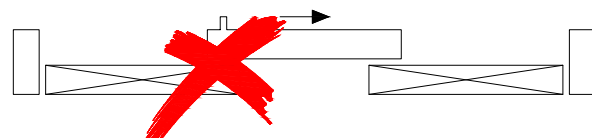
SCHEMA A: 2RAIL-1F-2O



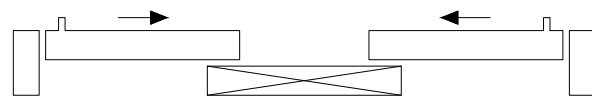
SCHEMA B: 2RAIL-1O-2O



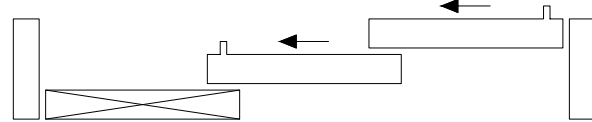
SCHEMA C: 2RAIL-1F-2OX2O-1F



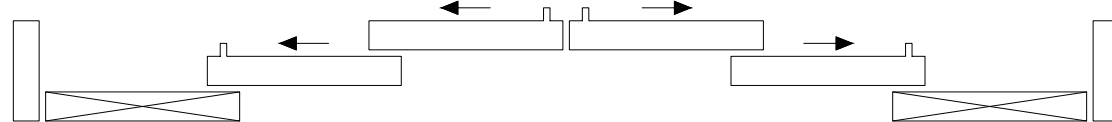
SCHEMA D: 2RAIL-1F-2O-1F



SCHEMA E: 2RAIL-2O-1F-2O



SCHEMA F: 3RAIL-1F-2O-3O



SCHEMA G: 3RAIL-1F-2O-3OX3O-2O-1F

LIFT-SLIDE HS - INVISO - OVERVIEW

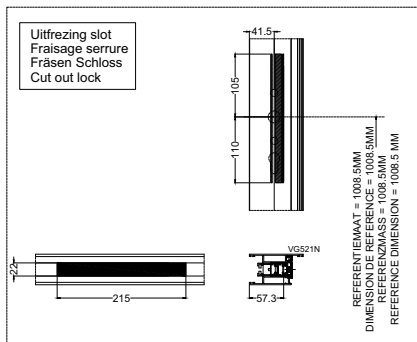
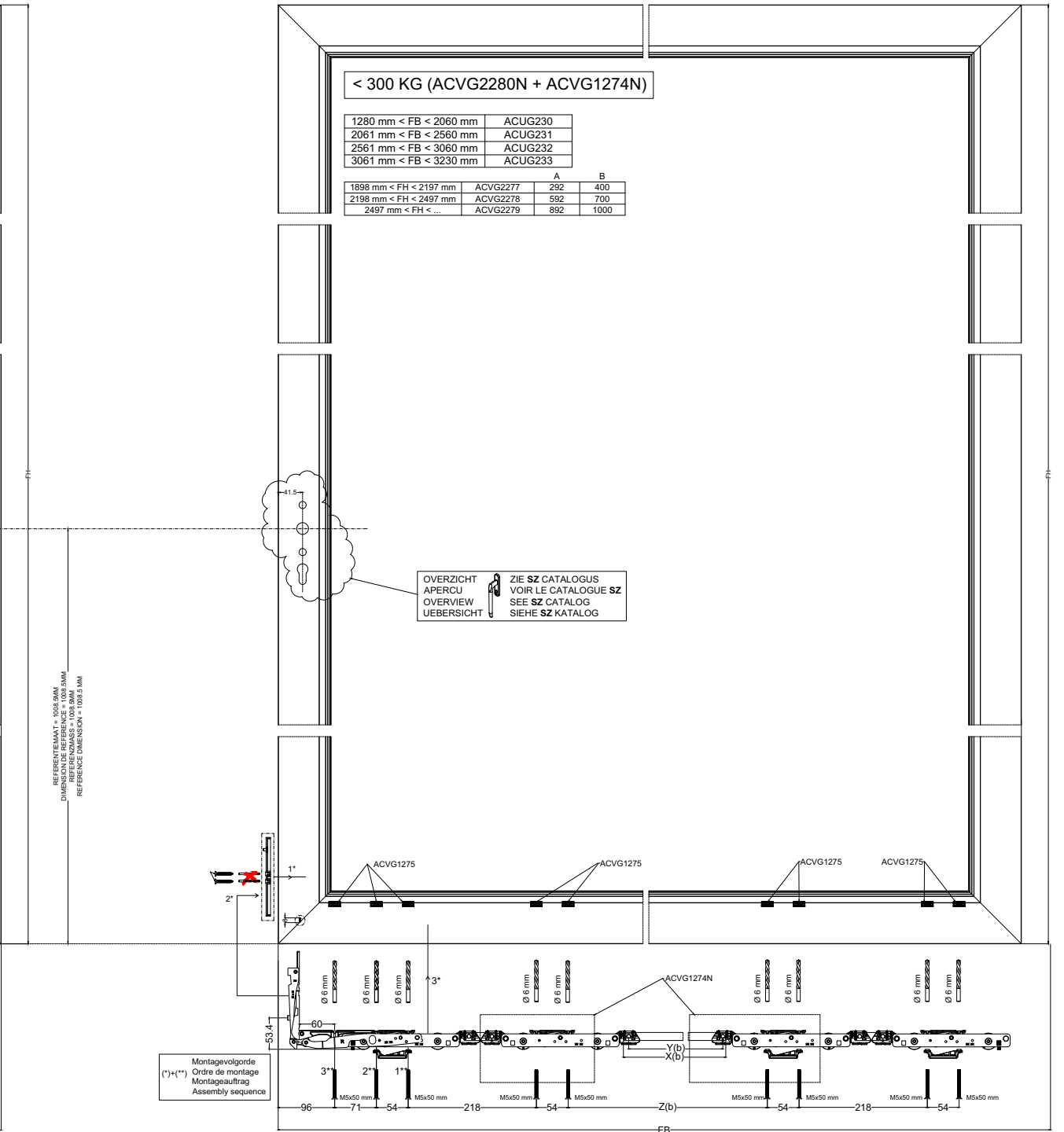
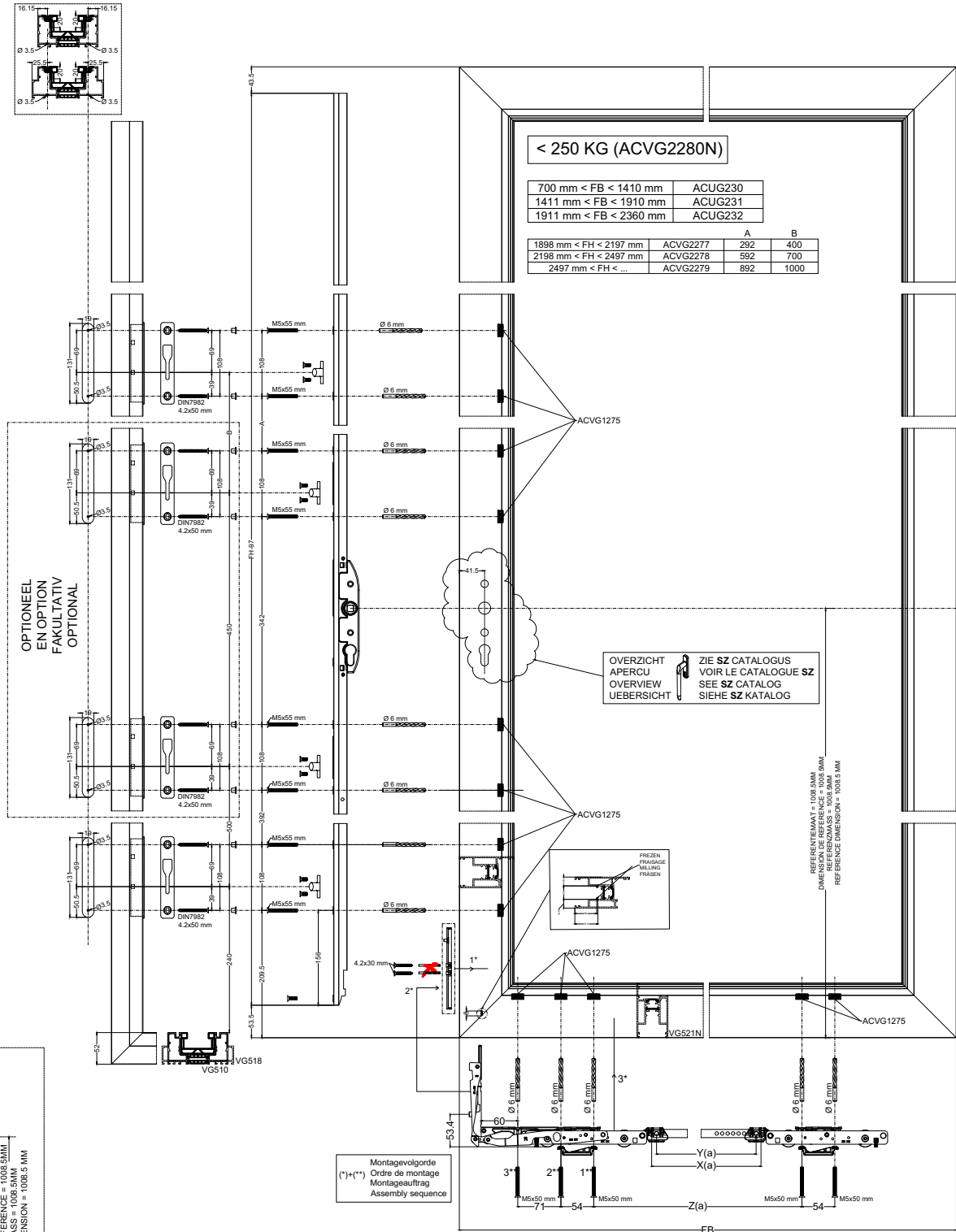


| AANTAL/SCHEMA NOMBRE/SCHEMA ANZAHL/SCHEMA NUMBER/SCHEME | | | | | | OMSCHRIJVING DESCRIPTION BESCHREIBUNG DESCRIPTION | ARTIKEL ARTICLE ARTIKEL ARTICLE | | |
|--|--------|-------|--------|-------|-------|---|---|---|--|
| A | B | C | E | F | G | | | | |
| 1 | 2 | 2 | 2 | 2 | 4 | SLOT SERRURE HAKENSCHLOSS LOCK | VLEUGELHOOGTE HAUTEUR D'OUVRANT FLUGEL HOHE VENT HEIGHT 1898 mm - 2197 mm 2198 mm - 2497 mm 2497 mm - ... | ACVG2277 ACVG2278 ACVG2279 | |
| 1 | 2 | 2 | 2 | 2 | 4 | BASISSET HEFSCHUIFDEUR STANDAARD: 2-PUNTSLUITING GRUNDKARTON HEBESCHIEBETUER STANDARD: FERMETURE A 2 POINTS BASIC SET LIFT AND SLIDING DOOR STANDARD: 2-FACHVERRIEGELUNG SET DE BASE SOULEV. COULISSANT STANDARD: 2-POINT LOCK MAX.: 250 KG | ACVG2280N | | |
| (*) OPTIONEEL EN OPTION FAKULTATIV OPTIONAL MAX.: 2 | | | | | | BIJKOMEND SLUITPUNT POINT DE FERMETURE SUPPLEMENTAIRE ZUSATZLICHER SCHLIESSPUNKT ADDITIONAL LOCKING POINT | ACUG213 | | |
| 2 | 4 | 2 | 4 | 2 | 2 | SLOTPAD GACHE SCHLIESSBLECH RECEIVER | ACUG212 | | |
| (*) 4 | (*) 8 | (*) 4 | (*) 8 | (*) 4 | (*) 4 | | | | |
| 4 | 8 | 4 | 8 | 4 | 4 | SLOTPAD GACHE SCHLIESSBLECH RECEIVER | ACUG214 | | |
| (*) 8 | (*) 16 | (*) 8 | (*) 16 | (*) 8 | (*) 8 | | | | |
| X | X | 1 | X | X | 1 | SLUITPUNT (ONDER) POINT DE VERROUILLAGE (EN BAS) SCHLIESSPUNKT (UNTEN) LOCKING POINT (BOTTOM) | ACUG221 | | |
| 1 | 2 | 2 | 2 | 2 | 4 | VERBINDINGSSTANG TIGE DE RACCORDEMENT VERBINDUNGSSTANGE CONNECTING ROD | MAX. 250 KG VLEUGELBREEDTE LARGEUR VANTAIL BREITE FLUGEL WIDTH SASH 700 mm - 1410 mm 1411 mm - 1910 mm 1911 mm - 2360 mm | MAX. 300 KG (*) VLEUGELBREEDTE LARGEUR VANTAIL BREITE FLUGEL WIDTH SASH 1280 mm - 2060 mm 2061 mm - 2560 mm 2561 mm - 3060 mm 3061 mm - 3230 mm | ACUG230 ACUG231 ACUG232 ACUG233 |
| 1 | 2 | 2 | 2 | 2 | 4 | LOOPWAGEN ROULETTES LAUFWAGEN ROLLERS | ACVG1274N | | |

WERKTEKENINGEN - DESSINS DE CONSTRUCTION - KONSTRUKTIONZEICHNUNGEN - CONSTRUCTION DRAWINGS

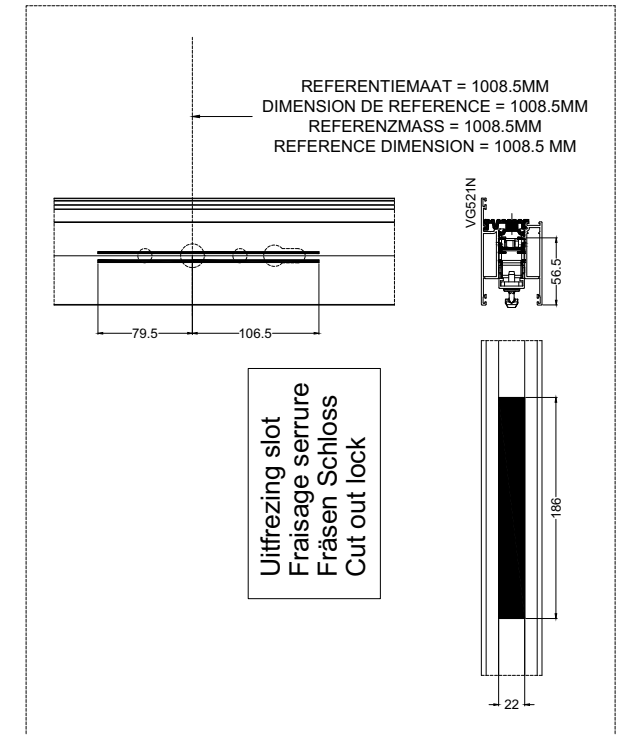
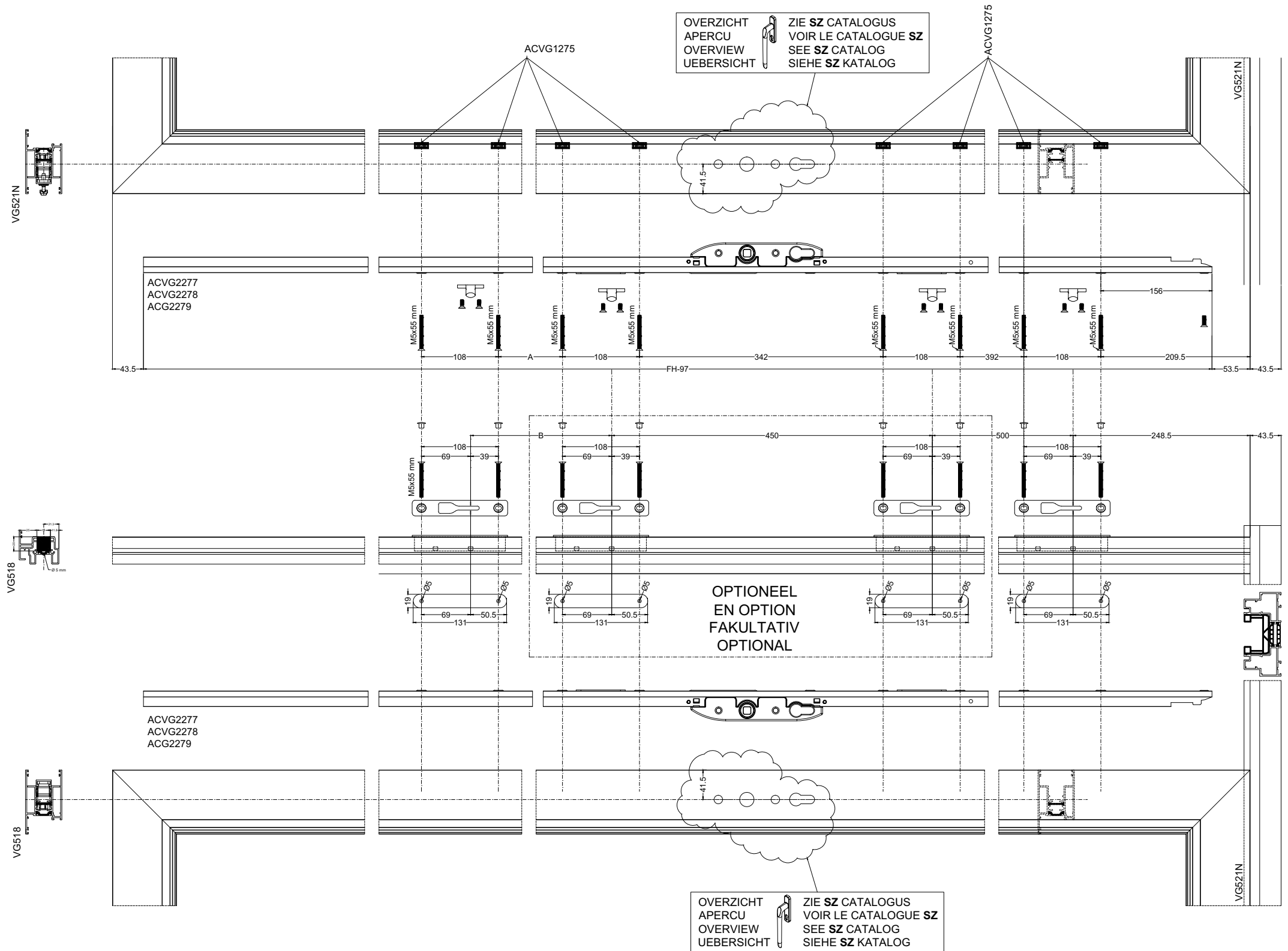
VG500

INBOUW HEFSCHUIFDEUR **HS - INVISO**
 ENCASTREMENT SOULEVENT COULISSANT **HS - INVISO**
 EINBAU HEBESCHIEBETUER **HS - INVISO**
 EMBEDDING LIFT AND SLIDE **HS - INVISO**



LIFT-SLIDE HS-VG500 - INVISO

INBOUW HEFSCHUIFDEUR 4-SLAG **HS - INVISO**
 ENCASTREMENT SOULEVENT COULISSANT 4 VANAUX **HS - INVISO**
 EINBAU HEBESCHIEBETUER 4 FLUEGEL **HS - INVISO**
 EMBEDDING LIFT AND SLIDE 4 DOOR **HS - INVISO**



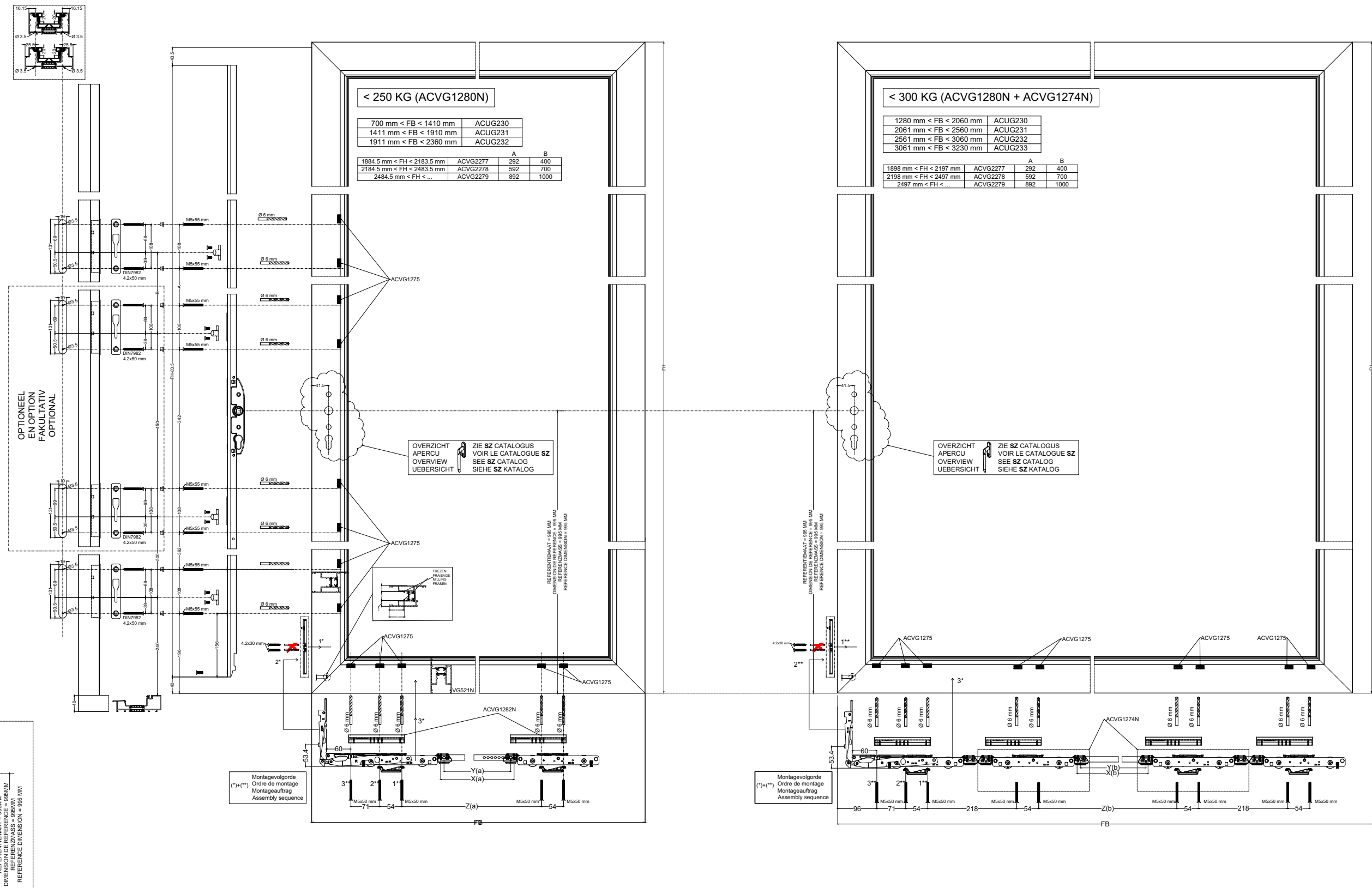
| | A | B | |
|------------------------|----------|-----|------|
| 1898 mm < FH < 2197 mm | ACVG2277 | 292 | 400 |
| 2198 mm < FH < 2497 mm | ACVG2278 | 592 | 700 |
| 2497 mm < FH < ... | ACVG2279 | 892 | 1000 |

LIFT-SLIDE HS-VG500 INVISO - 4SLAG



VG500

INBOUW HEFSCHUIFDEUR **HS - INVISO** - VLAKKE DORPEL
 ENCASTREMENT SOULEVENT COULISSANT **HS - INVISO** - SEUIL PLAT
 EINBAU HEBESCHIEBETUER **HS - INVISO** - FLACHE UNDERPROFILE
 EMBEDDING LIFT AND SLIDE **HS - INVISO** - FLAT THRESHOLD



< 250 KG (ACVG1280N)

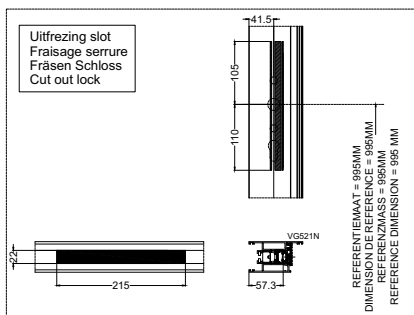
| | |
|------------------------|---------|
| 700 mm < FB < 1410 mm | ACUG230 |
| 1411 mm < FB < 1910 mm | ACUG231 |
| 1911 mm < FB < 2360 mm | ACUG232 |

| | A | B |
|----------------------------|----------|----------|
| 1884.5 mm < FH < 2183.5 mm | ACVG2277 | 292 400 |
| 2184.5 mm < FH < 2483.5 mm | ACVG2278 | 592 700 |
| 2484.5 mm < FH < ... | ACVG2279 | 892 1000 |

< 300 KG (ACVG1280N + ACVG1274N)

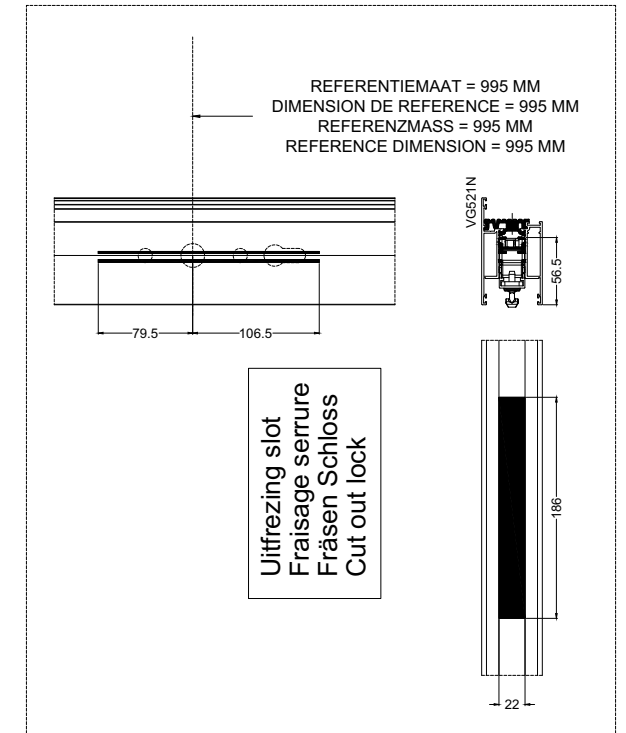
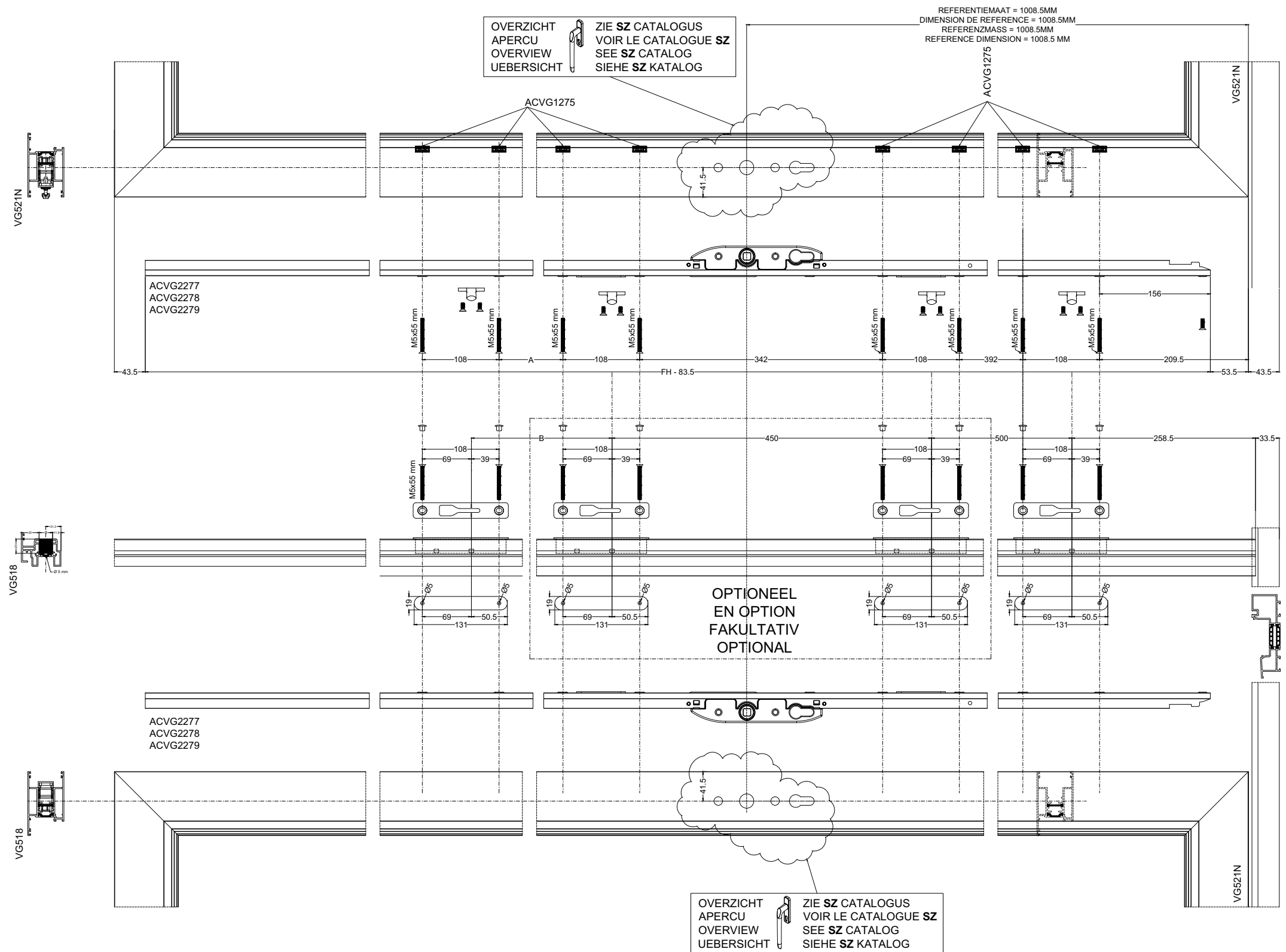
| | |
|------------------------|---------|
| 1280 mm < FB < 2060 mm | ACUG230 |
| 2061 mm < FB < 2560 mm | ACUG231 |
| 2561 mm < FB < 3060 mm | ACUG232 |
| 3061 mm < FB < 3230 mm | ACUG233 |

| | A | B |
|------------------------|----------|----------|
| 1898 mm < FH < 2197 mm | ACVG2277 | 292 400 |
| 2198 mm < FH < 2497 mm | ACVG2278 | 592 700 |
| 2497 mm < FH < ... | ACVG2279 | 892 1000 |



LIFT-SLIDE HS-VG500 - INVISO - FLAT

INBOUW HEFSCHUIFDEUR **HS - INVISO** - VLAKKE DORPEL - 4 SLAG
 ENCASTREMENT SOULEVANT COULISSANT **HS - INVISO** - SEUIL PLAT - 4 VANTAUX
 EINBAU HEBESCHIEBETUER **HS - INVISO** - FLACHE UNDERPROFILE - 4 FLUEGEL
 EMBEDDING LIFT AND SLIDE **HS - INVISO** - FLAT THRESHOLD - 4 DOOR



| | | A | B |
|----------------------------|----------|-----|------|
| 1884.5 mm < FH < 2183.5 mm | ACVG2277 | 292 | 400 |
| 2184.5 mm < FH < 2483.5 mm | ACVG2278 | 592 | 700 |
| 2484.5 mm < FH < ... | ACVG2279 | 892 | 1000 |

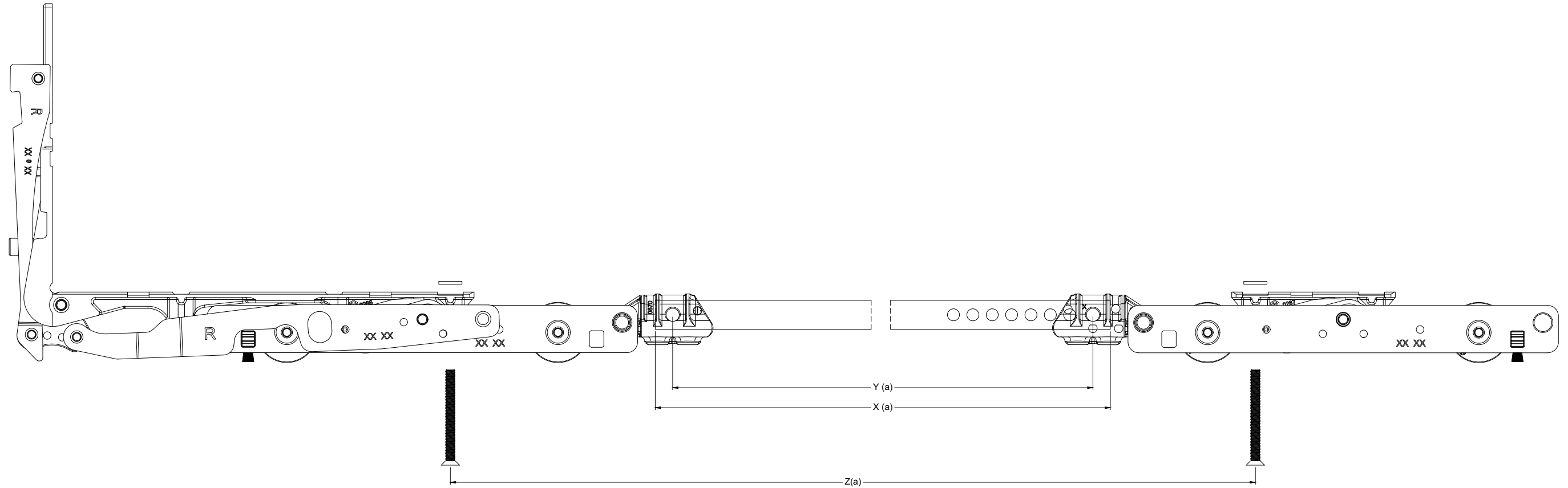
LIFT-SLIDE HS-VG500 INVISO - 4SLAG - FLAT



VG500

INBOUW HEFSCHUIFDEUR **HS**
 ENCASTREMENT SOULEVENT COULISSANT **HS**
 EINBAU HEBESCHIEBETUER **HS**
 EMBEDDING LIFT AND SLIDE **HS**

< 250 KG (ACVG1280N)



| | | | | | | | | | | | | | | | | | | | | | | | | | | | | | | | | | | | | | | | | | | | | | | |
|---------|----------|-----|-----|-----|-----|-----|-----|-----|-----|-----|-----|-----|-----|-----|-----|-----|-----|-----|-----|-----|-----|-----|-----|-----|-----|-----|-----|-----|-----|-----|------|------|------|------|------|------|------|------|------|------|------|------|------|------|------|------|
| ACUG230 | FB = min | 700 | 711 | 721 | 731 | 741 | 751 | 761 | 771 | 781 | 791 | 801 | 811 | 821 | 831 | 841 | 851 | 861 | 871 | 881 | 891 | 901 | 911 | 921 | 931 | 941 | 951 | 961 | 971 | 981 | 991 | 1001 | 1011 | 1021 | 1031 | 1041 | 1051 | 1061 | 1071 | 1081 | 1091 | 1101 | 1111 | 1121 | 1131 | 1141 |
| | FB = max | 710 | 720 | 730 | 740 | 750 | 760 | 770 | 780 | 790 | 800 | 810 | 820 | 830 | 840 | 850 | 860 | 870 | 880 | 890 | 900 | 910 | 920 | 930 | 940 | 950 | 960 | 970 | 980 | 990 | 1000 | 1010 | 1020 | 1030 | 1040 | 1050 | 1060 | 1070 | 1080 | 1090 | 1100 | 1110 | 1120 | 1130 | 1140 | 1150 |
| | X(a) | 144 | 154 | 164 | 174 | 184 | 194 | 204 | 214 | 224 | 234 | 244 | 254 | 264 | 274 | 284 | 294 | 304 | 314 | 324 | 334 | 344 | 354 | 364 | 374 | 384 | 394 | 404 | 414 | 424 | 434 | 444 | 454 | 464 | 474 | 484 | 494 | 504 | 514 | 524 | 534 | 544 | 554 | 564 | 574 | 584 |
| | Y(a) | 130 | 140 | 150 | 160 | 170 | 180 | 190 | 200 | 210 | 220 | 230 | 240 | 250 | 260 | 270 | 280 | 290 | 300 | 310 | 320 | 330 | 340 | 350 | 360 | 370 | 380 | 390 | 400 | 410 | 420 | 430 | 440 | 450 | 460 | 470 | 480 | 490 | 500 | 510 | 520 | 530 | 540 | 550 | 560 | 570 |
| | Z(a) | 309 | 319 | 329 | 339 | 349 | 359 | 369 | 379 | 389 | 399 | 409 | 419 | 429 | 439 | 449 | 459 | 469 | 479 | 489 | 499 | 509 | 519 | 529 | 539 | 549 | 559 | 569 | 579 | 589 | 599 | 609 | 619 | 629 | 639 | 649 | 659 | 669 | 679 | 689 | 699 | 709 | 719 | 729 | 739 | 749 |

| | | | | | | | | | | | | | | | | | | | | | | | | | | | |
|---------|----------|------|------|------|------|------|------|------|------|------|------|------|------|------|------|------|------|------|------|------|------|------|------|------|------|------|------|
| ACUG231 | FB = min | 1151 | 1161 | 1171 | 1181 | 1191 | 1201 | 1211 | 1221 | 1231 | 1241 | 1251 | 1261 | 1271 | 1281 | 1291 | 1301 | 1311 | 1321 | 1331 | 1341 | 1351 | 1361 | 1371 | 1381 | 1391 | 1401 |
| | FB = max | 1160 | 1170 | 1180 | 1190 | 1200 | 1210 | 1220 | 1230 | 1240 | 1250 | 1260 | 1270 | 1280 | 1290 | 1300 | 1310 | 1320 | 1330 | 1340 | 1350 | 1360 | 1370 | 1380 | 1390 | 1400 | 1410 |
| | X(a) | 594 | 604 | 614 | 624 | 634 | 644 | 654 | 664 | 674 | 684 | 694 | 704 | 714 | 724 | 734 | 744 | 754 | 764 | 774 | 784 | 794 | 804 | 814 | 824 | 834 | 844 |
| | Y(a) | 580 | 590 | 600 | 610 | 620 | 630 | 640 | 650 | 660 | 670 | 680 | 690 | 700 | 710 | 720 | 730 | 740 | 750 | 760 | 770 | 780 | 790 | 800 | 810 | 820 | 830 |
| | Z(a) | 759 | 769 | 779 | 789 | 799 | 809 | 819 | 829 | 839 | 849 | 859 | 869 | 879 | 889 | 899 | 909 | 919 | 929 | 939 | 949 | 959 | 969 | 979 | 989 | 999 | 1009 |

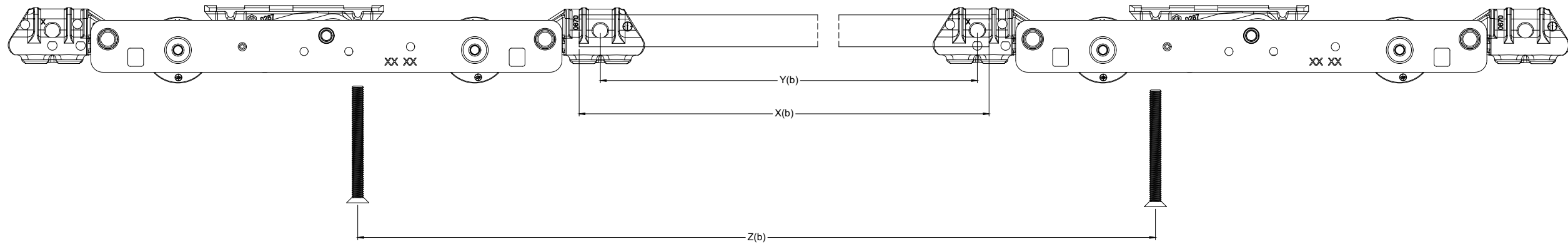
| | | | | | | | | | | | | | | | | | | | | | | | | | | | | | | | | | | | | | | | | | | | | | | | | | | | |
|---------|----------|------|------|------|------|------|------|------|------|------|------|------|------|------|------|------|------|------|------|------|------|------|------|------|------|------|------|------|------|------|------|------|------|------|------|------|------|------|------|------|------|------|------|------|------|------|------|------|------|------|------|
| ACUG232 | FB = min | 1411 | 1421 | 1431 | 1441 | 1451 | 1461 | 1471 | 1481 | 1491 | 1501 | 1511 | 1521 | 1531 | 1541 | 1551 | 1561 | 1571 | 1581 | 1591 | 1601 | 1611 | 1621 | 1631 | 1641 | 1651 | 1661 | 1671 | 1681 | 1691 | 1701 | 1711 | 1721 | 1731 | 1741 | 1751 | 1761 | 1771 | 1781 | 1791 | 1801 | 1811 | 1821 | 1831 | 1841 | 1851 | 1861 | 1871 | 1881 | 1891 | 1901 |
| | FB = max | 1420 | 1430 | 1440 | 1450 | 1460 | 1470 | 1480 | 1490 | 1500 | 1510 | 1520 | 1530 | 1540 | 1550 | 1560 | 1570 | 1580 | 1590 | 1600 | 1610 | 1620 | 1630 | 1640 | 1650 | 1660 | 1670 | 1680 | 1690 | 1700 | 1710 | 1720 | 1730 | 1740 | 1750 | 1760 | 1770 | 1780 | 1790 | 1800 | 1810 | 1820 | 1830 | 1840 | 1850 | 1860 | 1870 | 1880 | 1890 | 1900 | 1910 |
| | X(a) | 854 | 864 | 874 | 884 | 894 | 904 | 914 | 924 | 934 | 944 | 954 | 964 | 974 | 984 | 994 | 1004 | 1014 | 1024 | 1034 | 1044 | 1054 | 1064 | 1074 | 1084 | 1094 | 1104 | 1114 | 1124 | 1134 | 1144 | 1154 | 1164 | 1174 | 1184 | 1194 | 1204 | 1214 | 1224 | 1234 | 1244 | 1254 | 1264 | 1274 | 1284 | 1294 | 1304 | 1314 | 1324 | 1334 | 1344 |
| | Y(a) | 840 | 850 | 860 | 870 | 880 | 890 | 900 | 910 | 920 | 930 | 940 | 950 | 960 | 970 | 980 | 990 | 1000 | 1010 | 1020 | 1030 | 1040 | 1050 | 1060 | 1070 | 1080 | 1090 | 1100 | 1110 | 1120 | 1130 | 1140 | 1150 | 1160 | 1170 | 1180 | 1190 | 1200 | 1210 | 1220 | 1230 | 1240 | 1250 | 1260 | 1270 | 1280 | 1290 | 1300 | 1310 | 1320 | 1330 |
| | Z(a) | 1019 | 1029 | 1039 | 1049 | 1059 | 1069 | 1079 | 1089 | 1099 | 1109 | 1119 | 1129 | 1139 | 1149 | 1159 | 1169 | 1179 | 1189 | 1199 | 1209 | 1219 | 1229 | 1239 | 1249 | 1259 | 1269 | 1279 | 1289 | 1299 | 1309 | 1319 | 1329 | 1339 | 1349 | 1359 | 1369 | 1379 | 1389 | 1399 | 1409 | 1419 | 1429 | 1439 | 1449 | 1459 | 1469 | 1479 | 1489 | 1499 | 1509 |

| | | | | | | | | | | | | | | | | | | | | | | | | | | | | | | | | | | | | | | | | | | | | | | |
|---------|----------|------|------|------|------|------|------|------|------|------|------|------|------|------|------|------|------|------|------|------|------|------|------|------|------|------|------|------|------|------|------|------|------|------|------|------|------|------|------|------|------|------|------|------|------|------|
| ACUG232 | FB = min | 1911 | 1921 | 1931 | 1941 | 1951 | 1961 | 1971 | 1981 | 1991 | 2001 | 2011 | 2021 | 2031 | 2041 | 2051 | 2061 | 2071 | 2081 | 2091 | 2101 | 2111 | 2121 | 2131 | 2141 | 2151 | 2161 | 2171 | 2181 | 2191 | 2201 | 2211 | 2221 | 2231 | 2241 | 2251 | 2261 | 2271 | 2281 | 2291 | 2301 | 2311 | 2321 | 2331 | 2341 | 2351 |
| | FB = max | 1920 | 1930 | 1940 | 1950 | 1960 | 1970 | 1980 | 1990 | 2000 | 2010 | 2020 | 2030 | 2040 | 2050 | 2060 | 2070 | 2080 | 2090 | 2100 | 2110 | 2120 | 2130 | 2140 | 2150 | 2160 | 2170 | 2180 | 2190 | 2200 | 2210 | 2220 | 2230 | 2240 | 2250 | 2260 | 2270 | 2280 | 2290 | 2300 | 2310 | 2320 | 2330 | 2340 | 2350 | 2360 |
| | X(a) | 1354 | 1364 | 1374 | 1384 | 1394 | 1404 | 1414 | 1424 | 1434 | 1444 | 1454 | 1464 | 1474 | 1484 | 1494 | 1504 | 1514 | 1524 | 1534 | 1544 | 1554 | 1564 | 1574 | 1584 | 1594 | 1604 | 1614 | 1624 | 1634 | 1644 | 1654 | 1664 | 1674 | 1684 | 1694 | 1704 | 1714 | 1724 | 1734 | 1744 | 1754 | 1764 | 1774 | 1784 | 1794 |
| | Y(a) | 1340 | 1350 | 1360 | 1370 | 1380 | 1390 | 1400 | 1410 | 1420 | 1430 | 1440 | 1450 | 1460 | 1470 | 1480 | 1490 | 1500 | 1510 | 1520 | 1530 | 1540 | 1550 | 1560 | 1570 | 1580 | 1590 | 1600 | 1610 | 1620 | 1630 | 1640 | 1650 | 1660 | 1670 | 1680 | 1690 | 1700 | 1710 | 1720 | 1730 | 1740 | 1750 | 1760 | 1770 | 1780 |
| | Z(a) | 1519 | 1529 | 1539 | 1549 | 1559 | 1569 | 1579 | 1589 | 1599 | 1609 | 1619 | 1629 | 1639 | 1649 | 1659 | 1669 | 1679 | 1689 | 1699 | 1709 | 1719 | 1729 | 1739 | 1749 | 1759 | 1769 | 1779 | 1789 | 1799 | 1809 | 1819 | 1829 | 1839 | 1849 | 1859 | 1869 | 1879 | 1889 | 1899 | 1909 | 1919 | 1929 | 1939 | 1949 | 1959 |

LENGTE STANG ACVG1280N

INBOUW HEFSCHUIFDEUR **HS**
 ENCASTREMENT SOULEVENT COULISSANT **HS**
 EINBAU HEBESCHIEBETUER **HS**
 EMBEDDING LIFT AND SLIDE **HS**

< 300 KG (ACVG1280N + ACGV1274N)



| | | | | | | | | | | | | | | | | | | | | | | | | | | | | | | | | | | | | | | | | | | |
|---------|----------|------|------|------|------|------|------|------|------|------|------|------|------|------|------|------|------|------|------|------|------|------|------|------|------|------|------|------|------|------|------|------|------|------|------|------|------|------|------|------|------|------|
| ACUG230 | FB = min | 1280 | 1291 | 1301 | 1311 | 1321 | 1331 | 1341 | 1351 | 1361 | 1371 | 1381 | 1391 | 1401 | 1411 | 1421 | 1431 | 1441 | 1451 | 1461 | 1471 | 1481 | 1491 | 1501 | 1511 | 1521 | 1531 | 1541 | 1551 | 1561 | 1571 | 1581 | 1591 | 1601 | 1611 | 1621 | 1631 | 1641 | 1651 | 1661 | 1671 | 1681 |
| | FB = max | 1290 | 1300 | 1310 | 1320 | 1330 | 1340 | 1350 | 1360 | 1370 | 1380 | 1390 | 1400 | 1410 | 1420 | 1430 | 1440 | 1450 | 1460 | 1470 | 1480 | 1490 | 1500 | 1510 | 1520 | 1530 | 1540 | 1550 | 1560 | 1570 | 1580 | 1590 | 1600 | 1610 | 1620 | 1630 | 1640 | 1650 | 1660 | 1670 | 1680 | |
| | X(b) | 74 | 84 | 94 | 104 | 114 | 124 | 134 | 144 | 154 | 164 | 174 | 184 | 194 | 204 | 214 | 224 | 234 | 244 | 254 | 264 | 274 | 284 | 294 | 304 | 314 | 324 | 334 | 344 | 354 | 364 | 374 | 384 | 394 | 404 | 414 | 424 | 434 | 444 | 454 | 464 | |
| | Y(b) | 60 | 70 | 80 | 90 | 100 | 110 | 120 | 130 | 140 | 150 | 160 | 170 | 180 | 190 | 200 | 210 | 220 | 230 | 240 | 250 | 260 | 270 | 280 | 290 | 300 | 310 | 320 | 330 | 340 | 350 | 360 | 370 | 380 | 390 | 400 | 410 | 420 | 430 | 440 | 450 | |
| | Z(a) | 239 | 249 | 259 | 269 | 279 | 289 | 299 | 309 | 319 | 329 | 339 | 349 | 359 | 369 | 379 | 389 | 399 | 409 | 419 | 429 | 439 | 449 | 459 | 469 | 479 | 489 | 499 | 509 | 519 | 529 | 539 | 549 | 559 | 569 | 579 | 589 | 599 | 609 | 619 | 629 | |

| | | | | | | | | | | | | | | | | | | | | | | | | | | | | | | | | | | | | | | | |
|---------|----------|------|------|------|------|------|------|------|------|------|------|------|------|------|------|------|------|------|------|------|------|------|------|------|------|------|------|------|------|------|------|------|------|------|------|------|------|------|------|
| ACUG231 | FB = min | 1681 | 1691 | 1701 | 1711 | 1721 | 1731 | 1741 | 1751 | 1761 | 1771 | 1781 | 1791 | 1801 | 1811 | 1821 | 1831 | 1841 | 1851 | 1861 | 1871 | 1881 | 1891 | 1901 | 1911 | 1921 | 1931 | 1941 | 1951 | 1961 | 1971 | 1981 | 1991 | 2001 | 2011 | 2021 | 2031 | 2041 | 2051 |
| | FB = max | 1690 | 1700 | 1710 | 1720 | 1730 | 1740 | 1750 | 1760 | 1770 | 1780 | 1790 | 1800 | 1810 | 1820 | 1830 | 1840 | 1850 | 1860 | 1870 | 1880 | 1890 | 1900 | 1910 | 1920 | 1930 | 1940 | 1950 | 1960 | 1970 | 1980 | 1990 | 2000 | 2010 | 2020 | 2030 | 2040 | 2050 | 2060 |
| | X(b) | 474 | 484 | 494 | 504 | 514 | 524 | 534 | 544 | 554 | 564 | 574 | 584 | 594 | 604 | 614 | 624 | 634 | 644 | 654 | 664 | 674 | 684 | 694 | 704 | 714 | 724 | 734 | 744 | 754 | 764 | 774 | 784 | 794 | 804 | 814 | 824 | 834 | 844 |
| | Y(b) | 460 | 470 | 480 | 490 | 500 | 510 | 520 | 530 | 540 | 550 | 560 | 570 | 580 | 590 | 600 | 610 | 620 | 630 | 640 | 650 | 660 | 670 | 680 | 690 | 700 | 710 | 720 | 730 | 740 | 750 | 760 | 770 | 780 | 790 | 800 | 810 | 820 | 830 |
| | Z(a) | 639 | 649 | 659 | 669 | 679 | 689 | 699 | 709 | 719 | 729 | 739 | 749 | 759 | 769 | 779 | 789 | 799 | 809 | 819 | 829 | 839 | 849 | 859 | 869 | 879 | 889 | 899 | 909 | 919 | 929 | 939 | 949 | 959 | 969 | 979 | 989 | 999 | 1009 |

| | | | | | | | | | | | | | | | | | | | | | | | | | | | | | | | | | | | | | | | | | | | | | | | | | | | |
|---------|----------|------|------|------|------|------|------|------|------|------|------|------|------|------|------|------|------|------|------|------|------|------|------|------|------|------|------|------|------|------|------|------|------|------|------|------|------|------|------|------|------|------|------|------|------|------|------|------|------|------|------|
| ACUG232 | FB = min | 2061 | 2071 | 2081 | 2091 | 2101 | 2111 | 2121 | 2131 | 2141 | 2151 | 2161 | 2171 | 2181 | 2191 | 2201 | 2211 | 2221 | 2231 | 2241 | 2251 | 2261 | 2271 | 2281 | 2291 | 2301 | 2311 | 2321 | 2331 | 2341 | 2351 | 2361 | 2371 | 2381 | 2391 | 2401 | 2411 | 2421 | 2431 | 2441 | 2451 | 2461 | 2471 | 2481 | 2491 | 2501 | 2511 | 2521 | 2531 | 2541 | 2551 |
| | FB = max | 2070 | 2080 | 2090 | 2100 | 2110 | 2120 | 2130 | 2140 | 2150 | 2160 | 2170 | 2180 | 2190 | 2200 | 2210 | 2220 | 2230 | 2240 | 2250 | 2260 | 2270 | 2280 | 2290 | 2300 | 2310 | 2320 | 2330 | 2340 | 2350 | 2360 | 2370 | 2380 | 2390 | 2400 | 2410 | 2420 | 2430 | 2440 | 2450 | 2460 | 2470 | 2480 | 2490 | 2500 | 2510 | 2520 | 2530 | 2540 | 2550 | 2560 |
| | X(b) | 854 | 864 | 874 | 884 | 894 | 904 | 914 | 924 | 934 | 944 | 954 | 964 | 974 | 984 | 994 | 1004 | 1014 | 1024 | 1034 | 1044 | 1054 | 1064 | 1074 | 1084 | 1094 | 1104 | 1114 | 1124 | 1134 | 1144 | 1154 | 1164 | 1174 | 1184 | 1194 | 1204 | 1214 | 1224 | 1234 | 1244 | 1254 | 1264 | 1274 | 1284 | 1294 | 1304 | 1314 | 1324 | 1334 | 1344 |
| | Y(b) | 840 | 850 | 860 | 870 | 880 | 890 | 900 | 910 | 920 | 930 | 940 | 950 | 960 | 970 | 980 | 990 | 1000 | 1010 | 1020 | 1030 | 1040 | 1050 | 1060 | 1070 | 1080 | 1090 | 1100 | 1110 | 1120 | 1130 | 1140 | 1150 | 1160 | 1170 | 1180 | 1190 | 1200 | 1210 | 1220 | 1230 | 1240 | 1250 | 1260 | 1270 | 1280 | 1290 | 1300 | 1310 | 1320 | 1330 |
| | Z(b) | 1019 | 1029 | 1039 | 1049 | 1059 | 1069 | 1079 | 1089 | 1099 | 1109 | 1119 | 1129 | 1139 | 1149 | 1159 | 1169 | 1179 | 1189 | 1199 | 1209 | 1219 | 1229 | 1239 | 1249 | 1259 | 1269 | 1279 | 1289 | 1299 | 1309 | 1319 | 1329 | 1339 | 1349 | 1359 | 1369 | 1379 | 1389 | 1399 | 1409 | 1419 | 1429 | 1439 | 1449 | 1459 | 1469 | 1479 | 1489 | 1499 | 1509 |

| | | | | | | | | | | | | | | | | | | | | | | | | | | | | | | | | | | | | | | | | | | | | | | | | | | | |
|---------|----------|------|------|------|------|------|------|------|------|------|------|------|------|------|------|------|------|------|------|------|------|------|------|------|------|------|------|------|------|------|------|------|------|------|------|------|------|------|------|------|------|------|------|------|------|------|------|------|------|------|------|
| ACUG233 | FB = min | 2561 | 2571 | 2581 | 2591 | 2601 | 2611 | 2621 | 2631 | 2641 | 2651 | 2661 | 2671 | 2681 | 2691 | 2701 | 2711 | 2721 | 2731 | 2741 | 2751 | 2761 | 2771 | 2781 | 2791 | 2801 | 2811 | 2821 | 2831 | 2841 | 2851 | 2861 | 2871 | 2881 | 2891 | 2901 | 2911 | 2921 | 2931 | 2941 | 2951 | 2961 | 2971 | 2981 | 2991 | 3001 | 3011 | 3021 | 3031 | 3041 | 3051 |
| | FB = max | 2570 | 2580 | 2590 | 2600 | 2610 | 2620 | 2630 | 2640 | 2650 | 2660 | 2670 | 2680 | 2690 | 2700 | 2710 | 2720 | 2730 | 2740 | 2750 | 2760 | 2770 | 2780 | 2790 | 2800 | 2810 | 2820 | 2830 | 2840 | 2850 | 2860 | 2870 | 2880 | 2890 | 2900 | 2910 | 2920 | 2930 | 2940 | 2950 | 2960 | 2970 | 2980 | 2990 | 3000 | 3010 | 3020 | 3030 | 3040 | 3050 | 3060 |
| | X(b) | 1354 | 1364 | 1374 | 1384 | 1394 | 1404 | 1414 | 1424 | 1434 | 1444 | 1454 | 1464 | 1474 | 1484 | 1494 | 1504 | 1514 | 1524 | 1534 | 1544 | 1554 | 1564 | 1574 | 1584 | 1594 | 1604 | 1614 | 1624 | 1634 | 1644 | 1654 | 1664 | 1674 | 1684 | 1694 | 1704 | 1714 | 1724 | 1734 | 1744 | 1754 | 1764 | 1774 | 1784 | 1794 | 1804 | 1814 | 1824 | 1834 | 1844 |
| | Y(b) | 1340 | 1350 | 1360 | 1370 | 1380 | 1390 | 1400 | 1410 | 1420 | 1430 | 1440 | 1450 | 1460 | 1470 | 1480 | 1490 | 1500 | 1510 | 1520 | 1530 | 1540 | 1550 | 1560 | 1570 | 1580 | 1590 | 1600 | 1610 | 1620 | 1630 | 1640 | 1650 | 1660 | 1670 | 1680 | 1690 | 1700 | 1710 | 1720 | 1730 | 1740 | 1750 | 1760 | 1770 | 1780 | 1790 | 1800 | 1810 | 1820 | 1830 |
| | Z(b) | 1519 | 1529 | 1539 | 1549 | 1559 | 1569 | 1579 | 1589 | 1599 | 1609 | 1619 | 1629 | 1639 | 1649 | 1659 | 1669 | 1679 | 1689 | 1699 | 1709 | 1719 | 1729 | 1739 | 1749 | 1759 | 1769 | 1779 | 1789 | 1799 | 1809 | 1819 | 1829 | 1839 | 1849 | 1859 | 1869 | 1879 | 1889 | 1899 | 1909 | 1919 | 1929 | 1939 | 1949 | 1959 | 1969 | 1979 | 1989 | 1999 | 2009 |

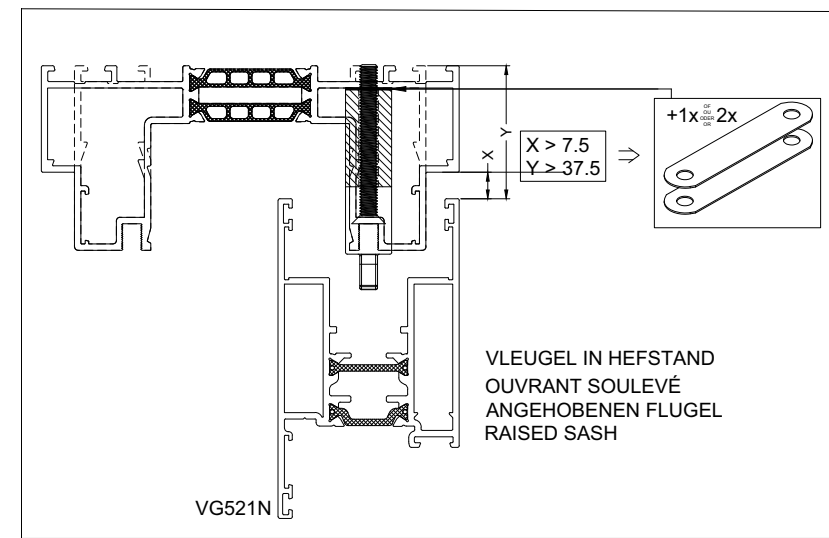
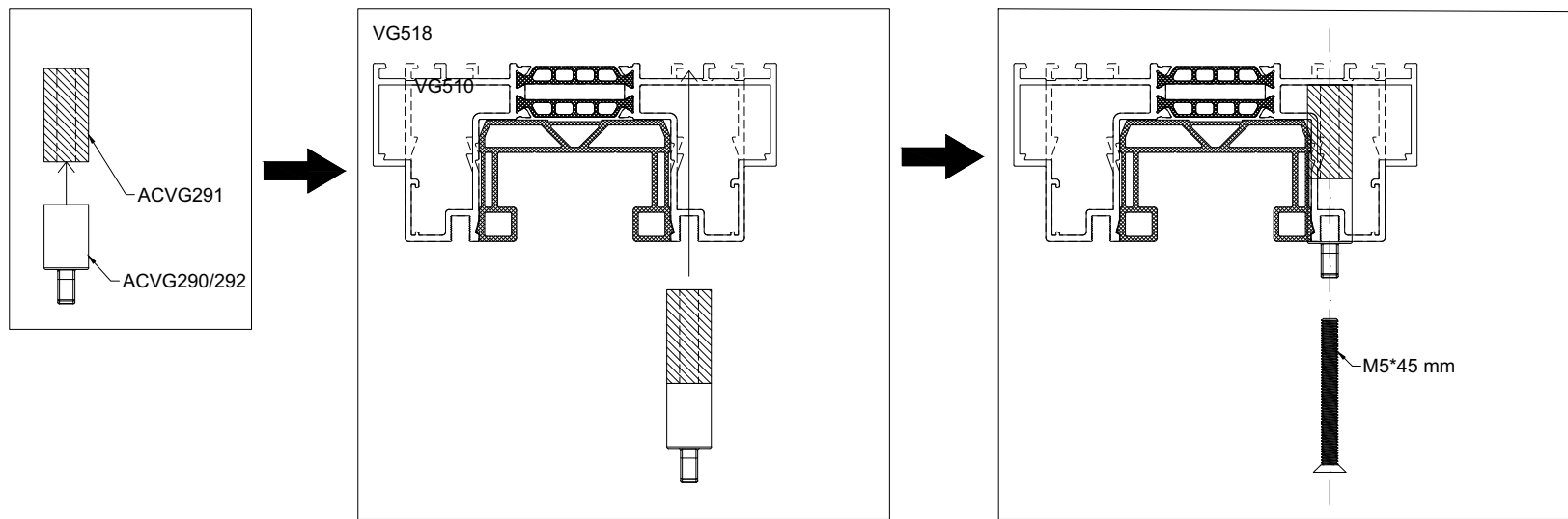
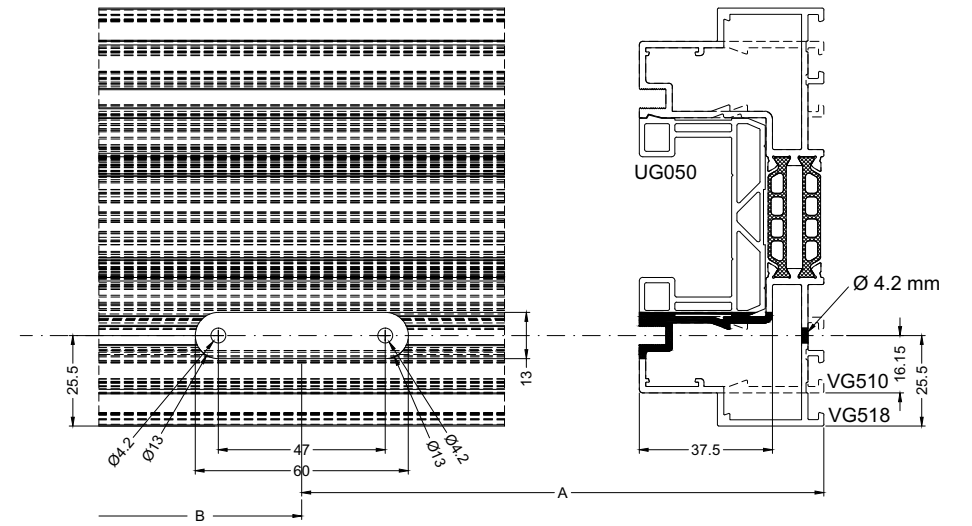
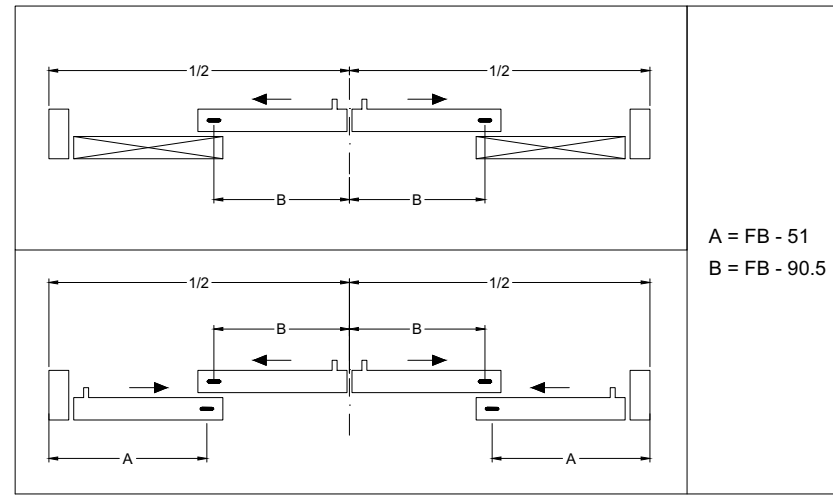
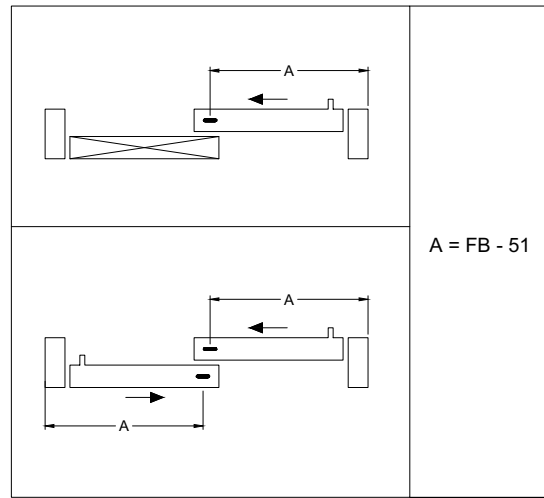
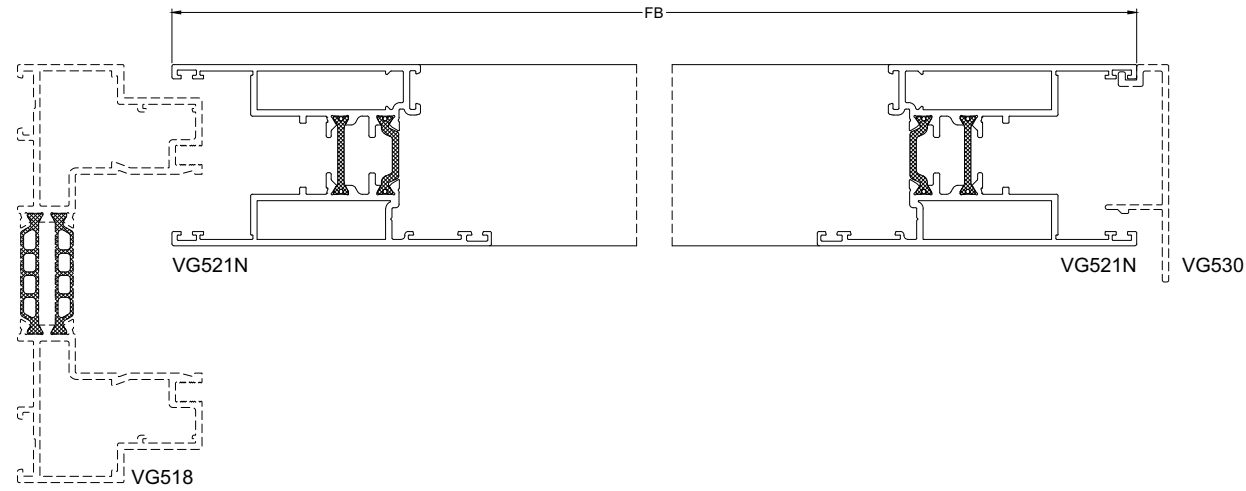
| | | | | | | | | | | | | | | | | | | |
|---------|----------|------|------|------|------|------|------|------|------|------|------|------|------|------|------|------|------|------|
| ACUG233 | FB = min | 3061 | 3071 | 3081 | 3091 | 3101 | 3111 | 3121 | 3131 | 3141 | 3151 | 3161 | 3171 | 3181 | 3191 | 3201 | 3211 | 3221 |
| | FB = max | 3070 | 3080 | 3090 | 3100 | 3110 | 3120 | 3130 | 3140 | 3150 | 3160 | 3170 | 3180 | 3190 | 3200 | 3210 | 3220 | 3230 |
| | X(b) | 1854 | 1864 | 1874 | 1884 | 1894 | 1904 | 1914 | 1924 | 1934 | 1944 | 1954 | 1964 | 1974 | 1984 | 1994 | 2004 | 2014 |
| | Y(b) | 1840 | 1850 | 1860 | 1870 | 1880 | 1890 | 1900 | 1910 | 1920 | 1930 | 1940 | 1950 | 1960 | 1970 | 1980 | 1990 | 2000 |
| | Z(b) | 2019 | 2029 | 2039 | 2049 | 2059 | 2069 | 2079 | 2089 | 2099 | 2109 | 2119 | 2129 | 2139 | 2149 | 2159 | 2169 | 2179 |

LENGTE STANG ACGV1274N



VG500

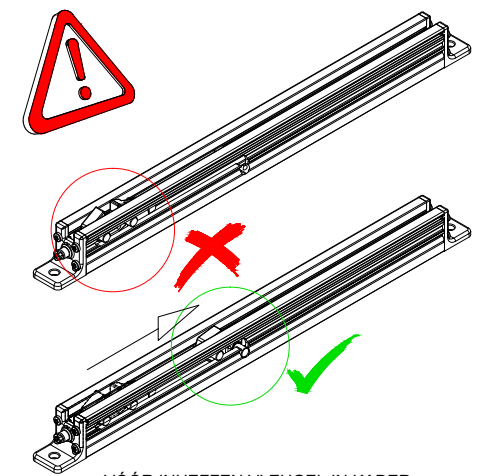
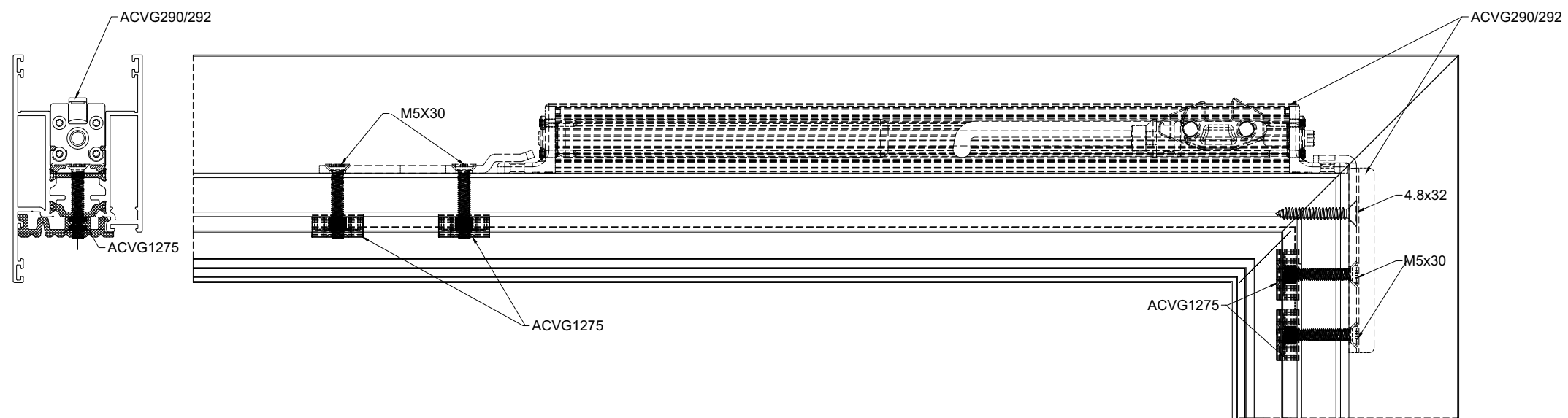
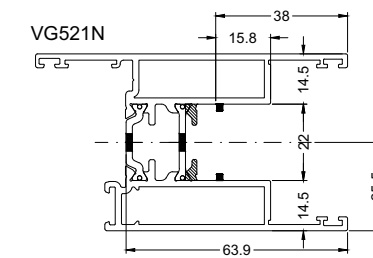
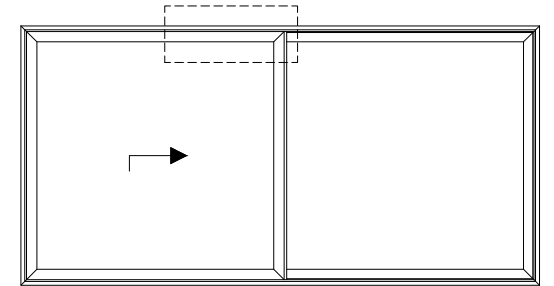
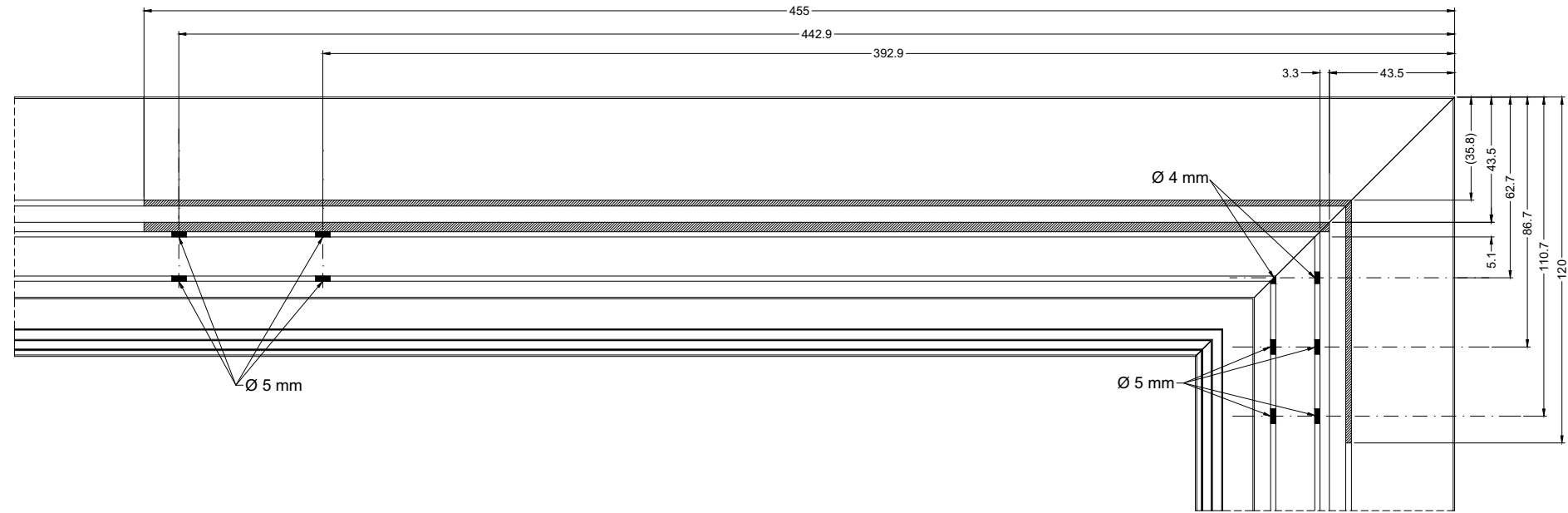
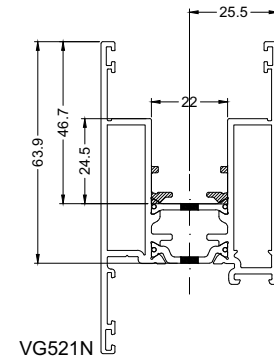
COMFORTCLOSE
COMFORTCLOSE
COMFORTCLOSE
COMFORTCLOSE



COMFORT CLOSE

VG500

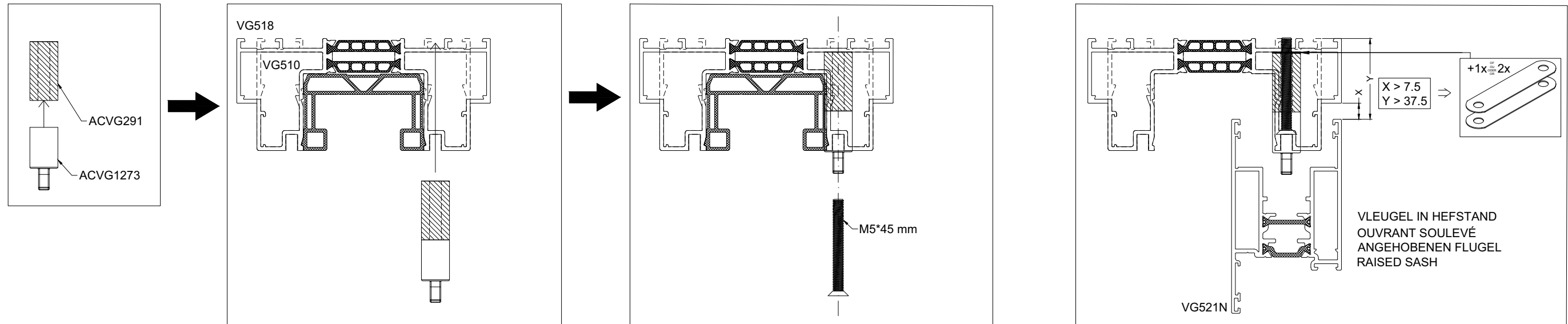
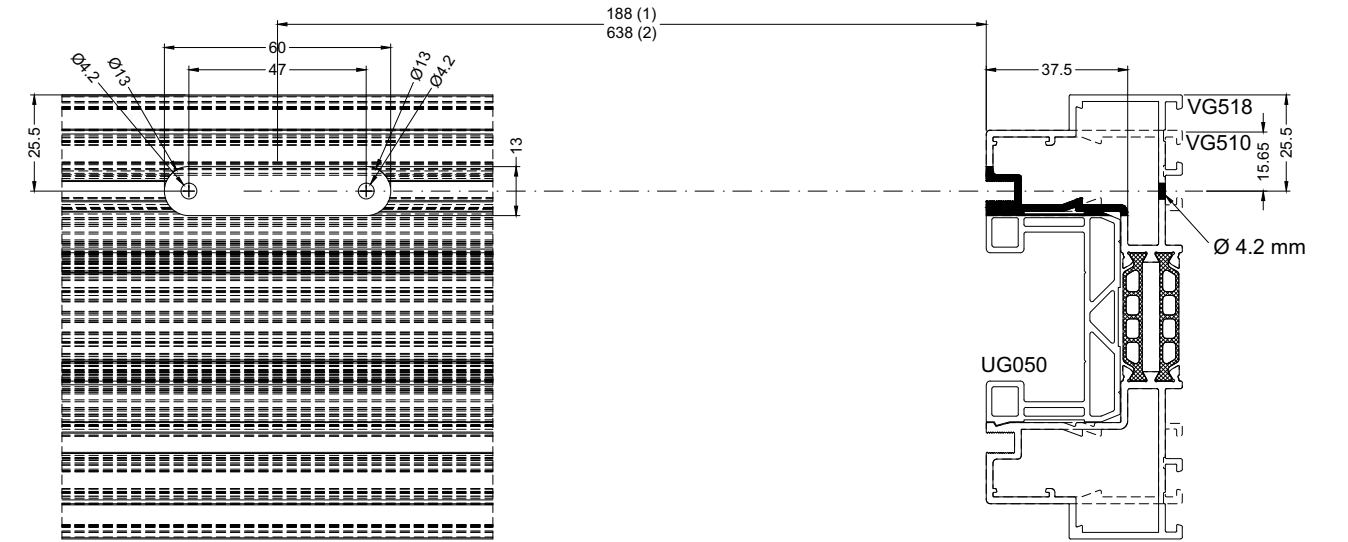
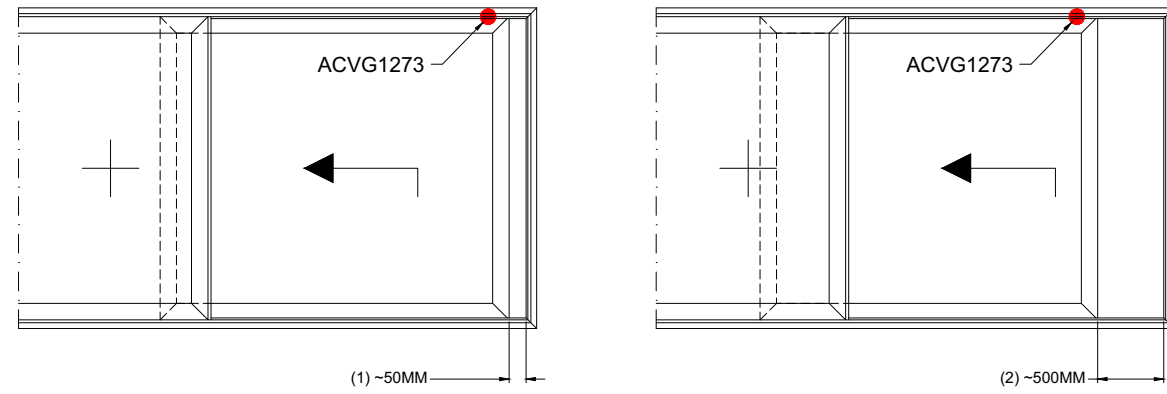
COMFORTCLOSE
COMFORTCLOSE
COMFORTCLOSE
COMFORTCLOSE



VÓOR INHEFFEN VLEUGEL IN KADER
AVANT DE SOULEVER L'OUVRANT DANS LE CADRE
VOR MONTAGE FLUEGEL IN BLENDRAHMEN
BEFORE ASSEMBLY VENT IN FRAME

VG500

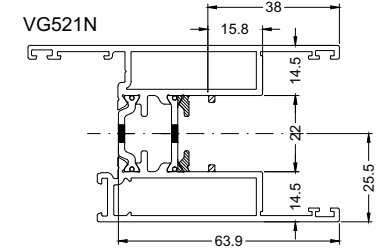
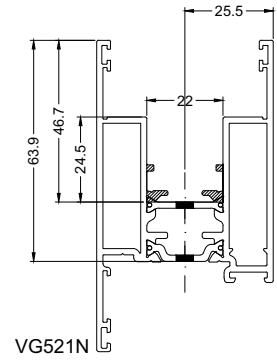
SAFETY STOP
SAFETY STOP
SAFETY STOP
SAFETY STOP



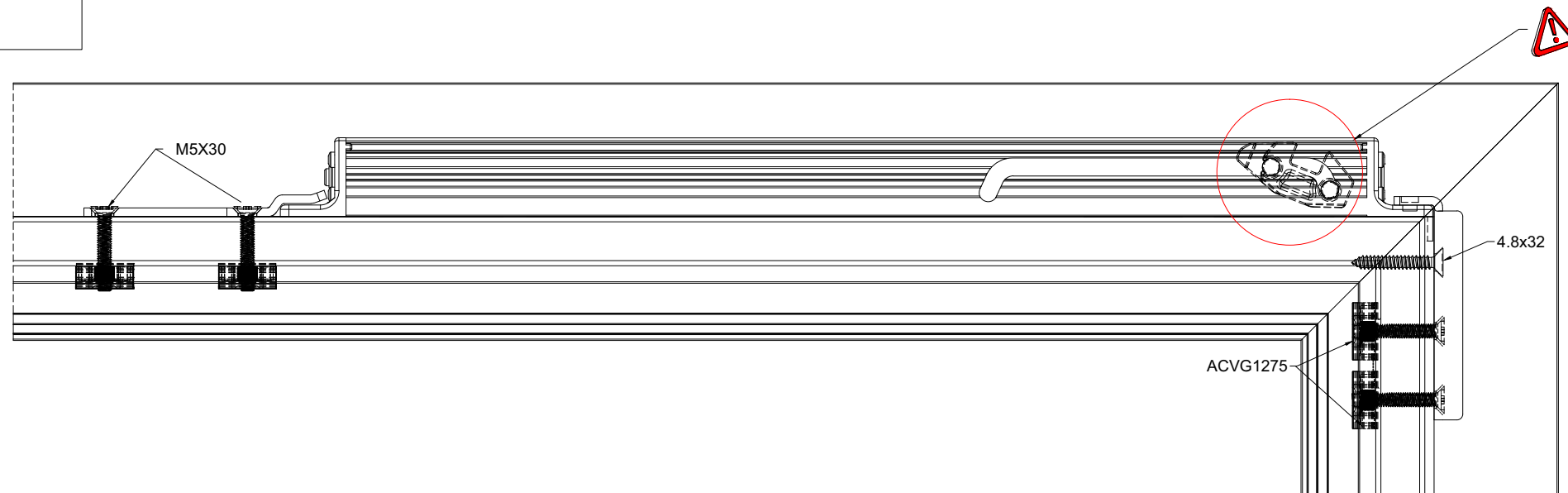
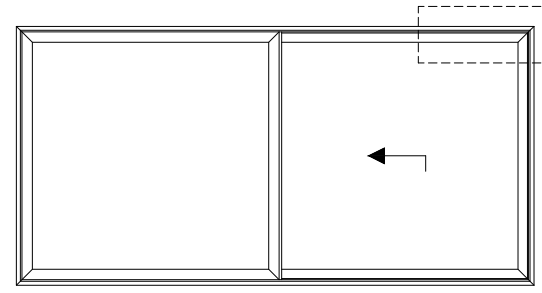
ACVG1273 (OUTERFRAME)



SAFETY STOP
SAFETY STOP
SAFETY STOP
SAFETY STOP



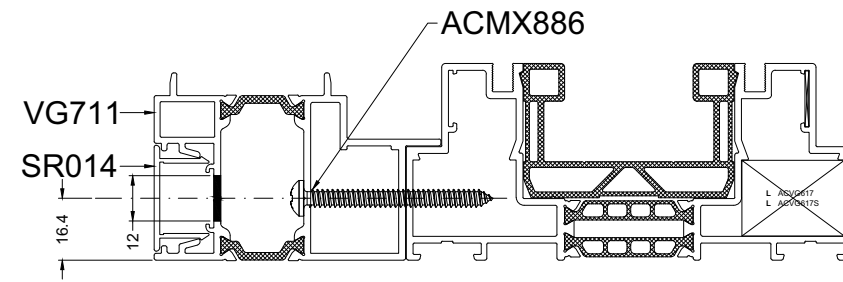
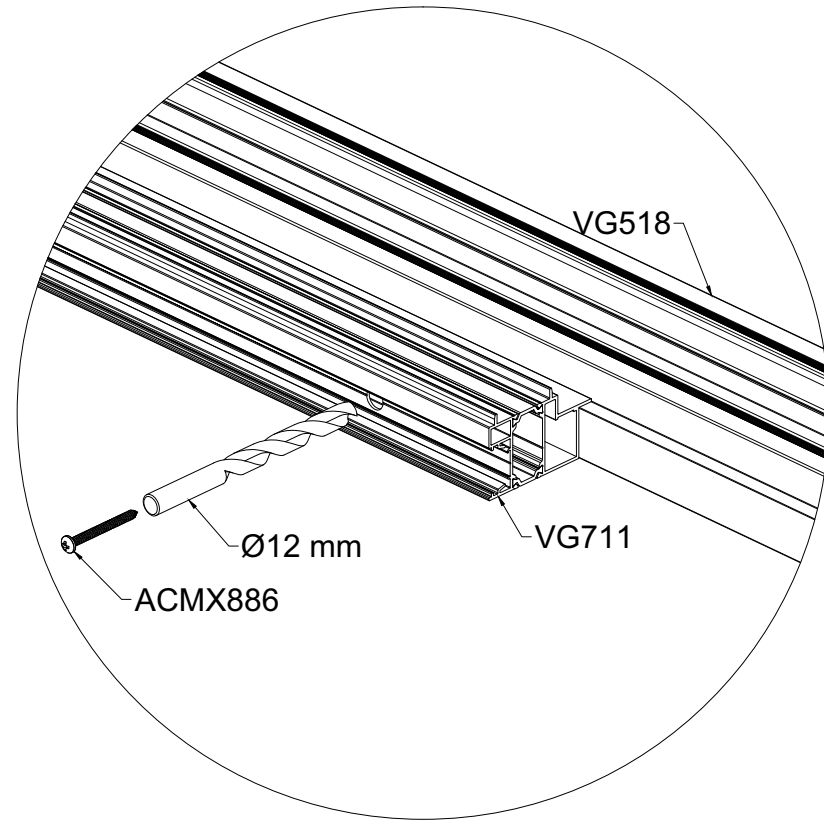
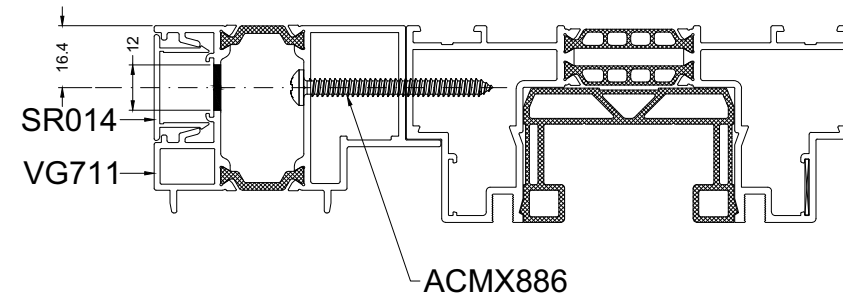
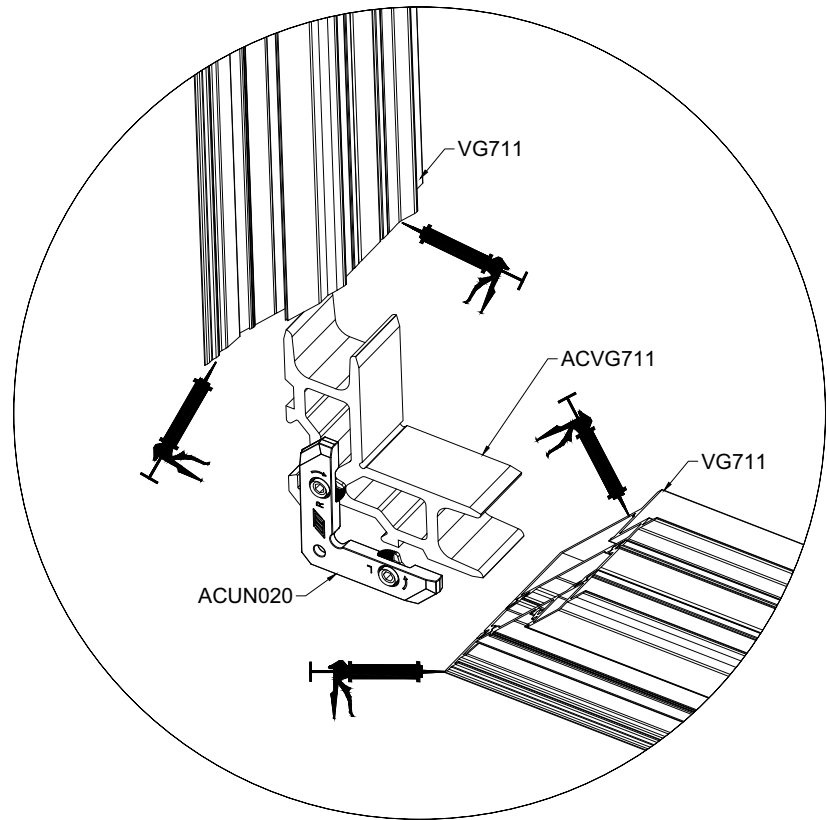
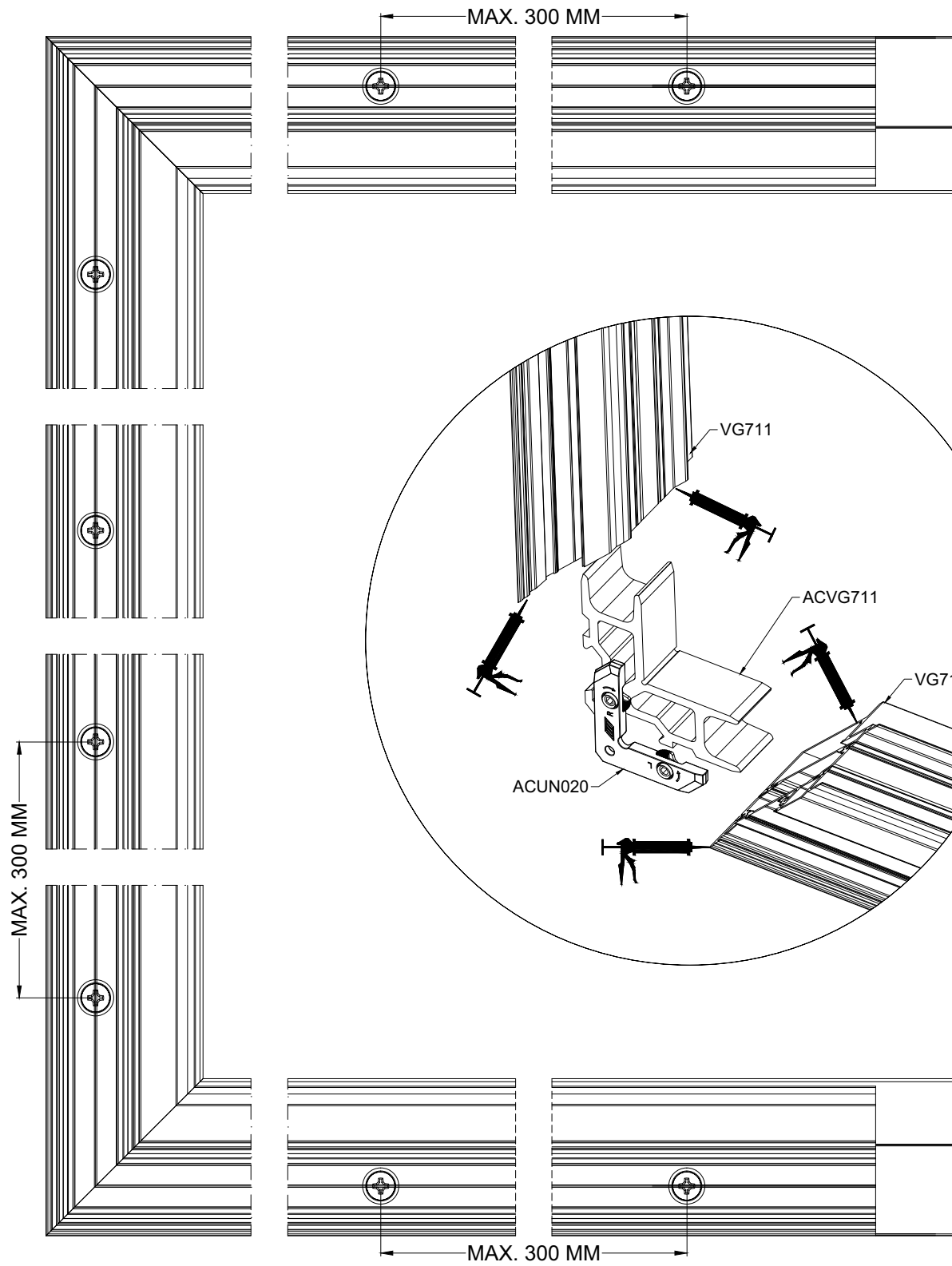
VÓÓR INHEFFEN VLEUGEL IN KADER
AVANT DE SOULEVER L'OUVRANT DANS LE CADRE
VOR MONTAGE FLUEGEL IN BLENDRAHMEN
BEFORE ASSEMBLY VENT IN FRAME



WERKTEKENINGEN - DESSINS DE CONSTRUCTION - KONSTRUKTIONZEICHNUNGEN - CONSTRUCTION DRAWINGS

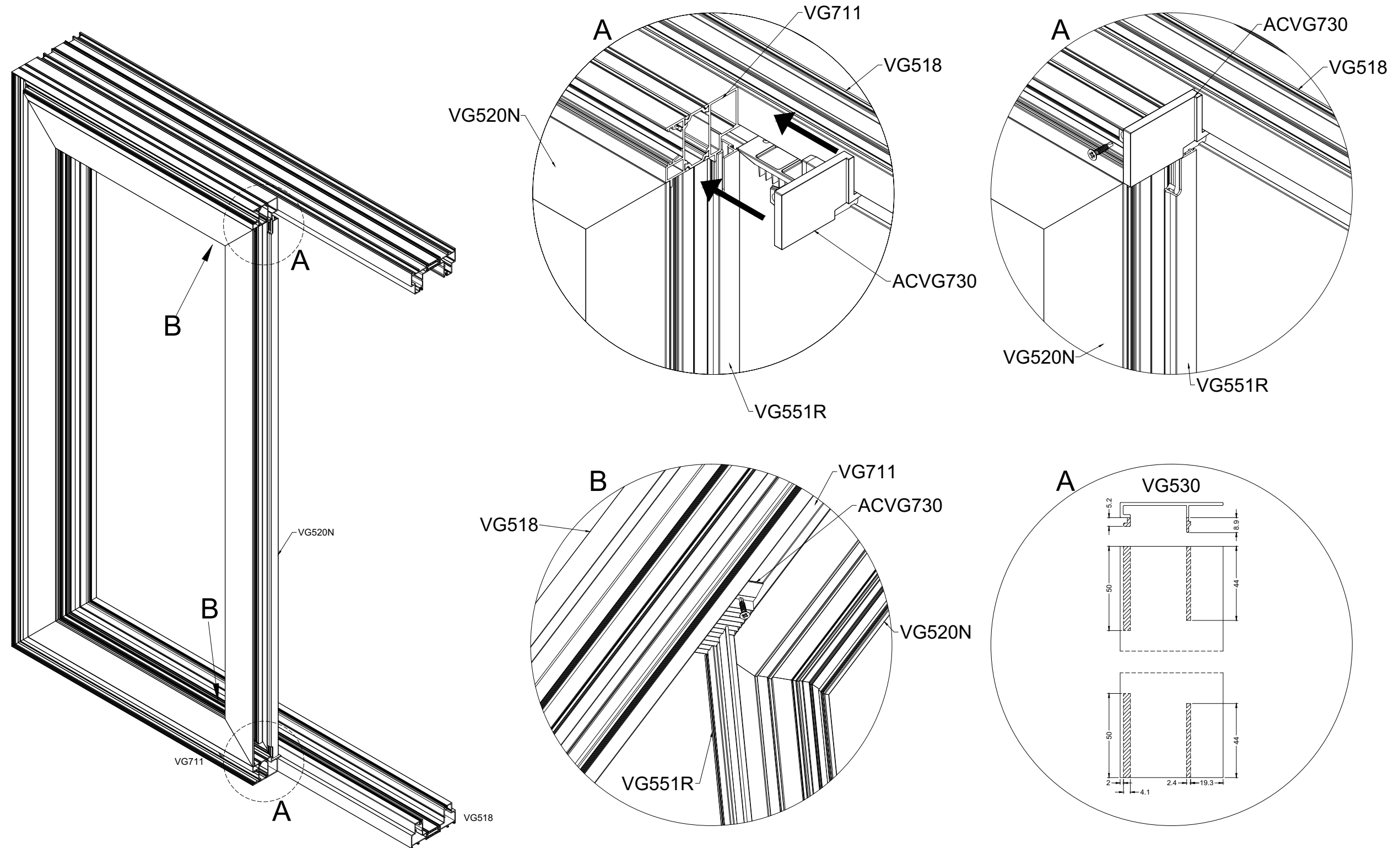
VG500

VASTE VOORZETKADER
 PRÉCADRE FIX
 ANBAU RAHMEN
 FRAME EXTENSION



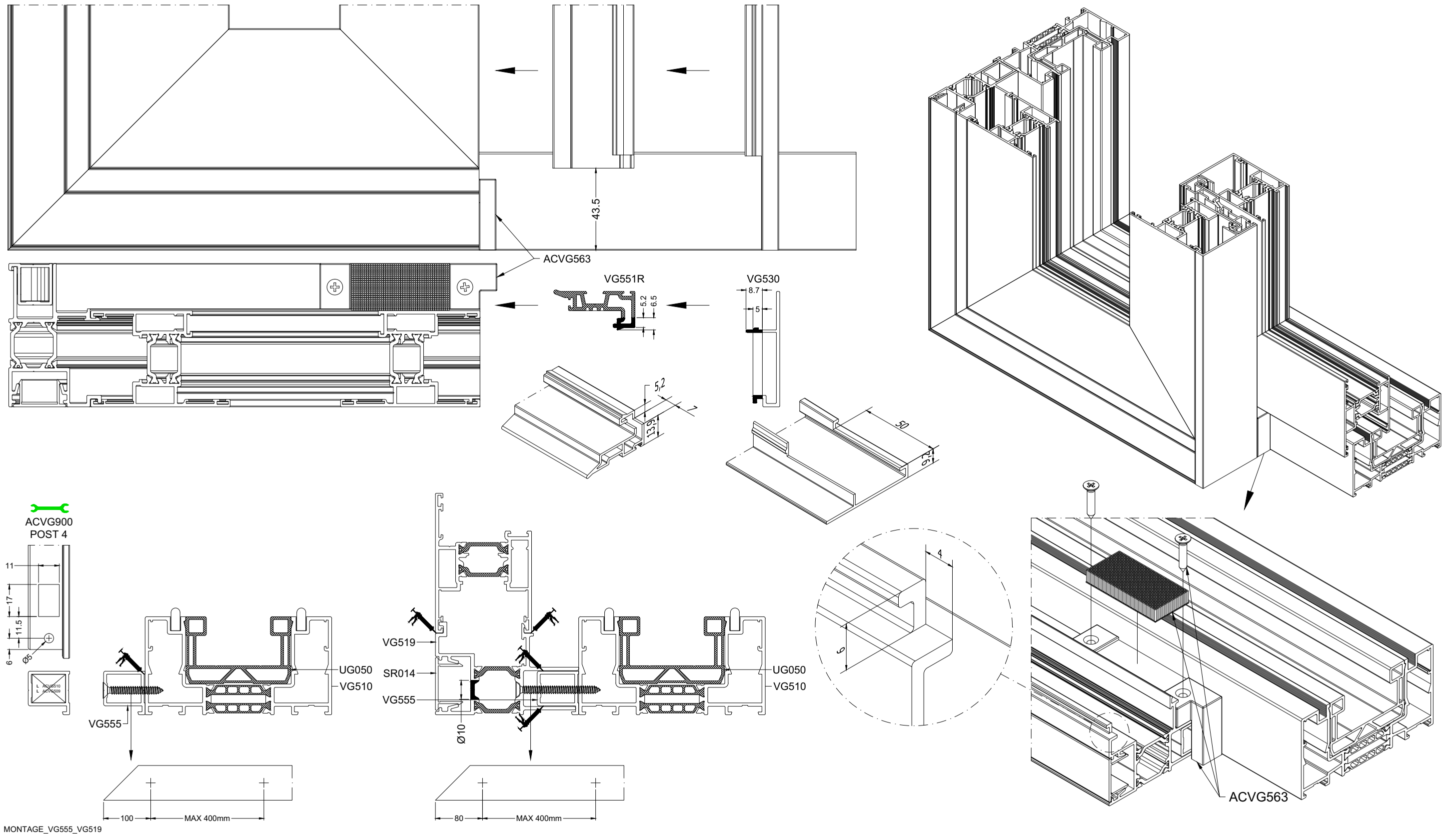
VOORZETVLEUGEL

VASTE VOORZETKADER
 PRÉCADRE FIX
 ANBAU RAHMEN
 FRAME EXTENSION



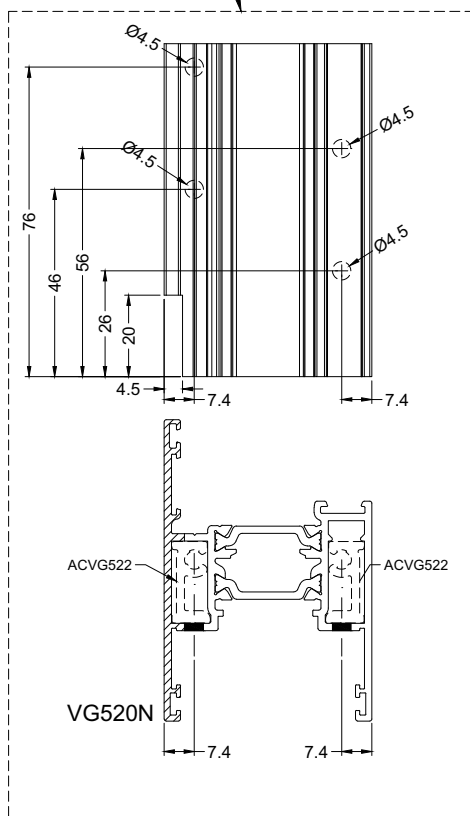
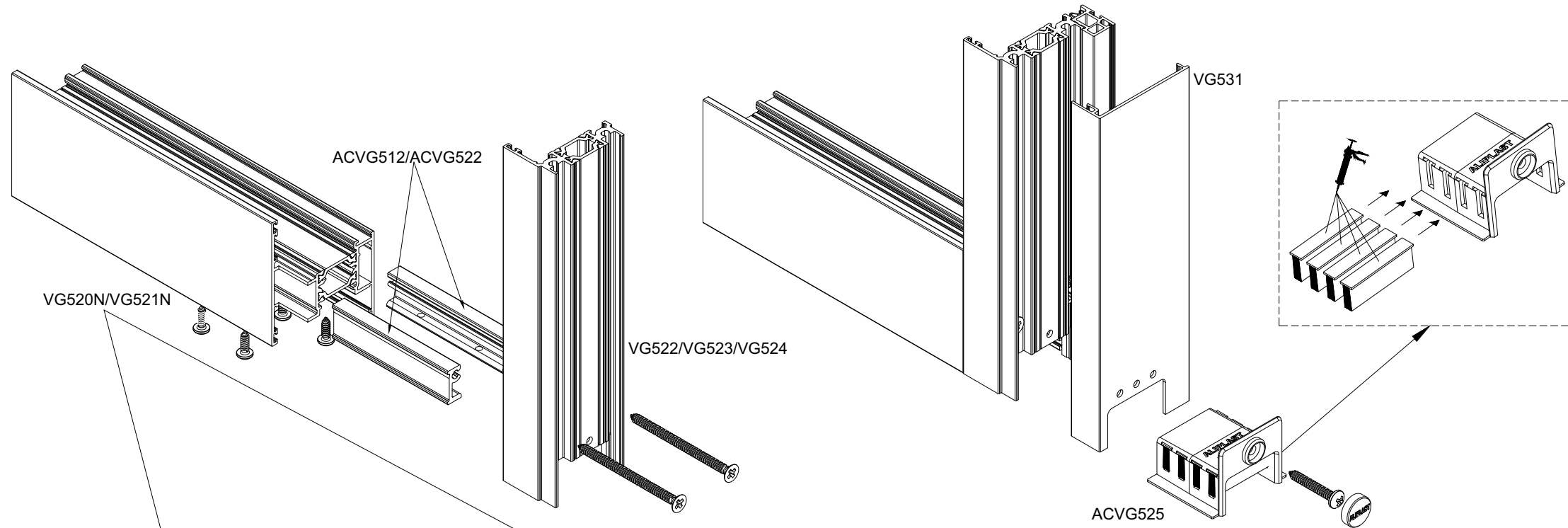
WERKTEKENINGEN - DESSINS DE CONSTRUCTION - KONSTRUKTIONZEICHNUNGEN - CONSTRUCTION DRAWINGS

VG500

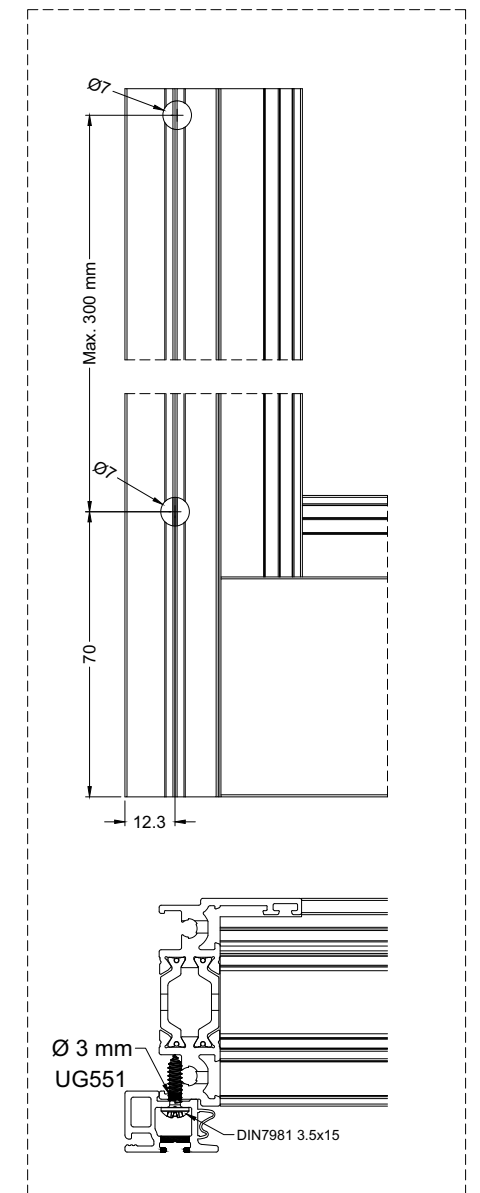
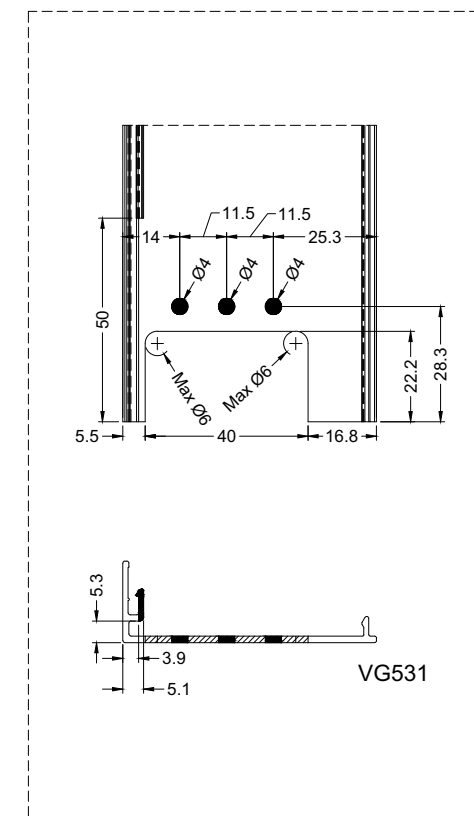
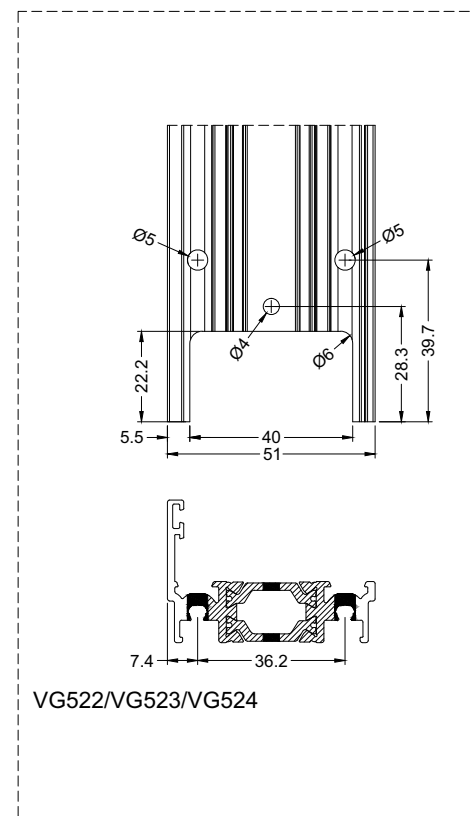
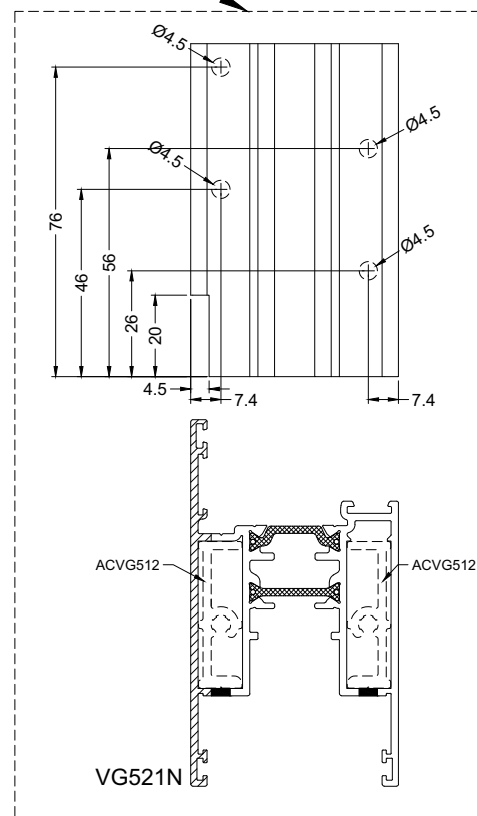


MONTAGE_VG555_VG519

MAXLIGHT: VG522/VG523/VG524
 MAXLIGHT: VG522/VG523/VG524
 MAXLIGHT: VG522/VG523/VG524
 MAXLIGHT: VG522/VG523/VG524



OD OF
 RULER

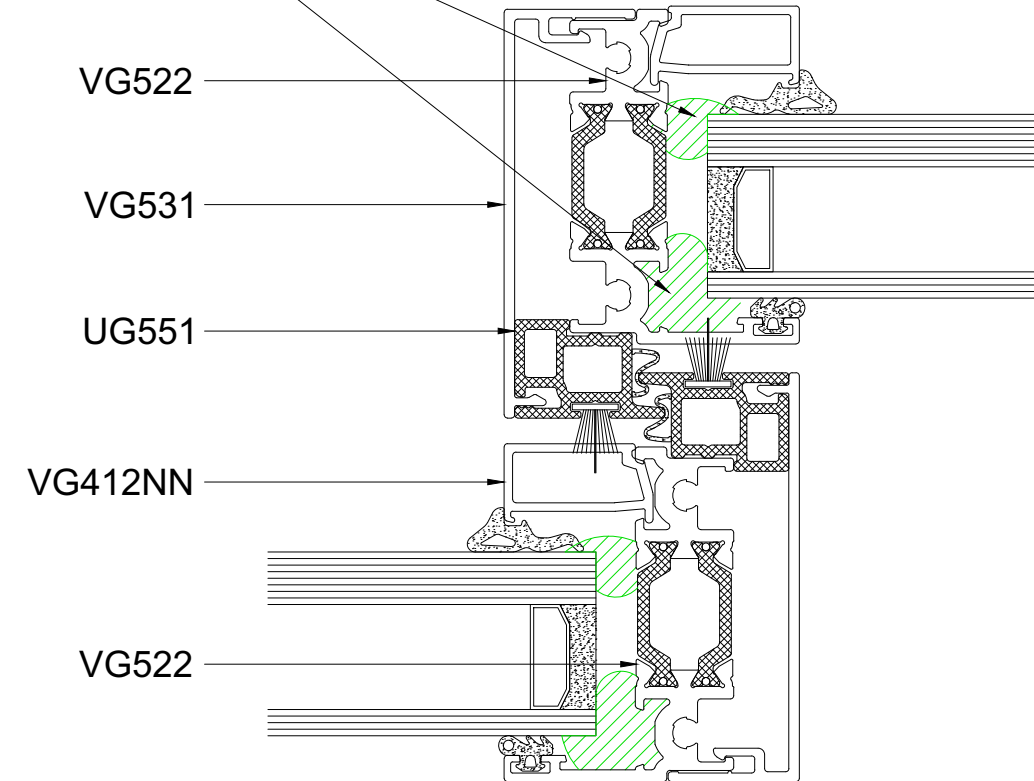
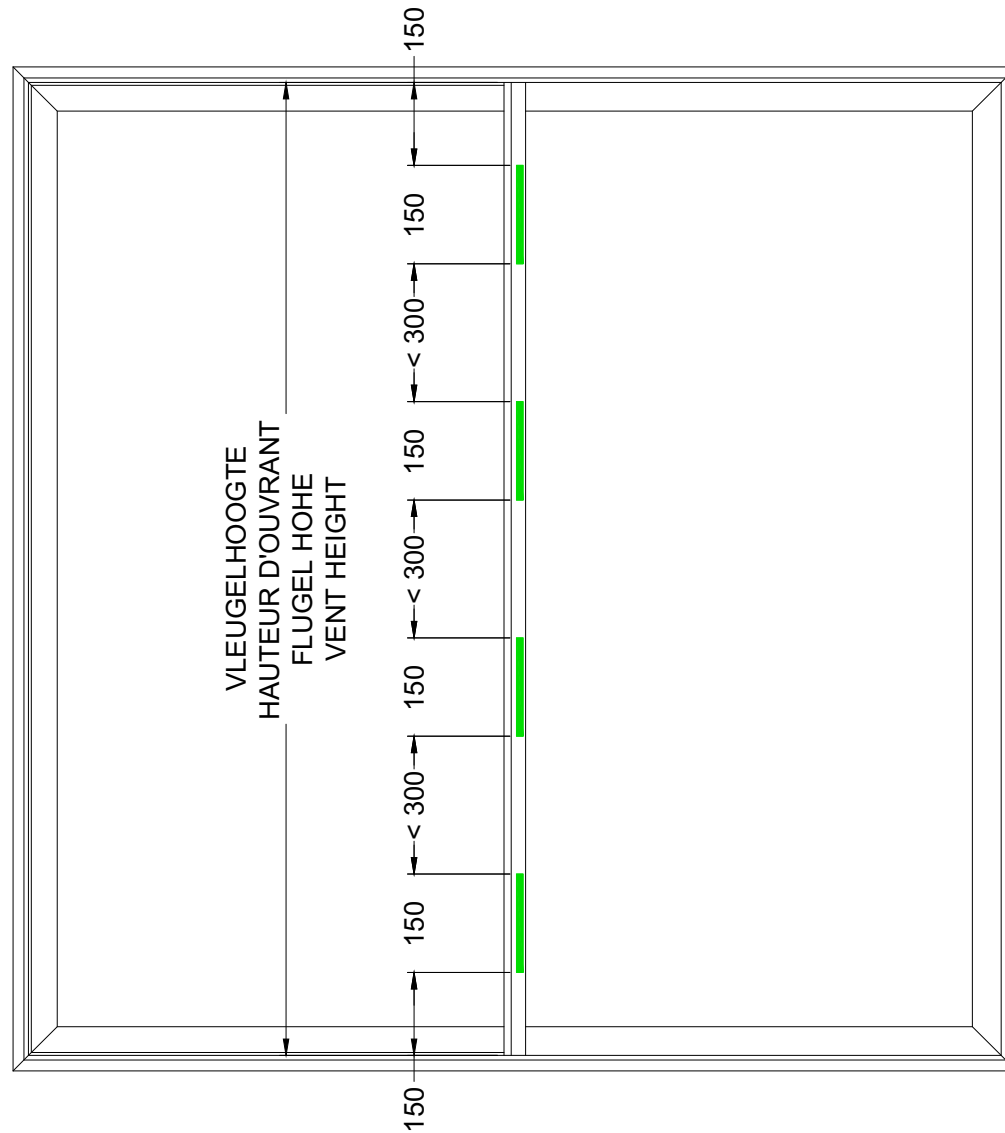



SMALL CHICANE



VG500

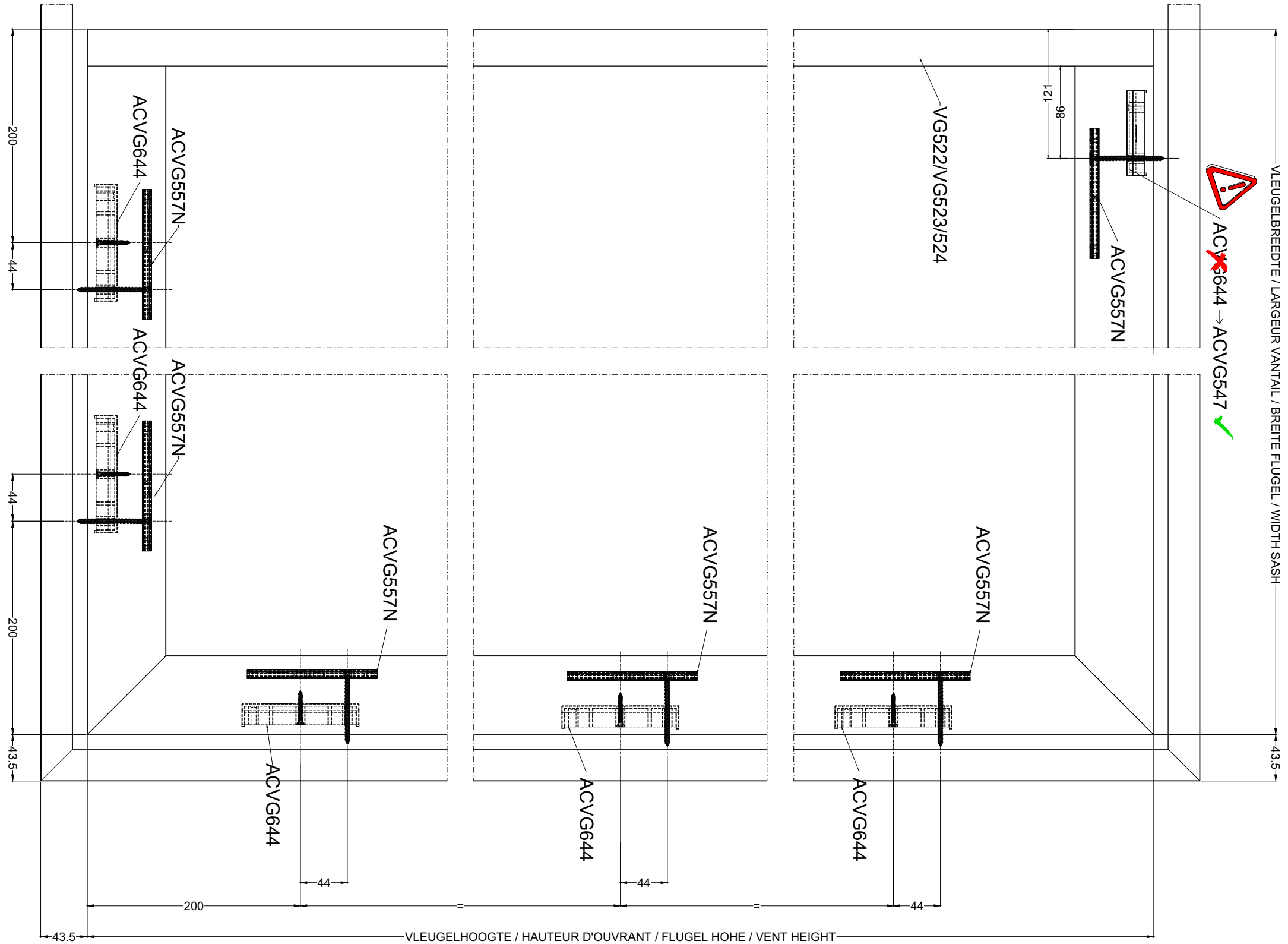
2-COMPONENTENLIJM OVEREENSTEMMEND MET DE VOORSCHRIFTEN VAN DE GLASLEVERANCIER
 APPLICATION OF TWO COMPONENT GLUE CORRESPONDING TO THE REQUIREMENTS OF THE GLASS SUPPLIER
 APPLICATION DE COLLE A DEUX COMPOSANTS CONFORMEMENT AUX PRESCRIPTIONS DU FOURNISSEUR DE VERRE
 ANBRINGEN ZWEIKOMPONENTENKLEBER GEMASS DEN ANFORDERUNGEN DES GLAS LIEFERANTEN



 REINIGEN EN ONTVETTEN VAN GLAS- EN PROFIELOPPERVLAK
 RINCER ET DEGRAISSER LA SURFACE DU VERRE ET DU PROFILE
 REINIGEN UND ENTFETTEN DER GLAS- UND PROFILEOBERFLACHE
 CLEANING AND DEGREASING OF GLASS AND PROFILE SURFACE

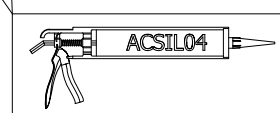
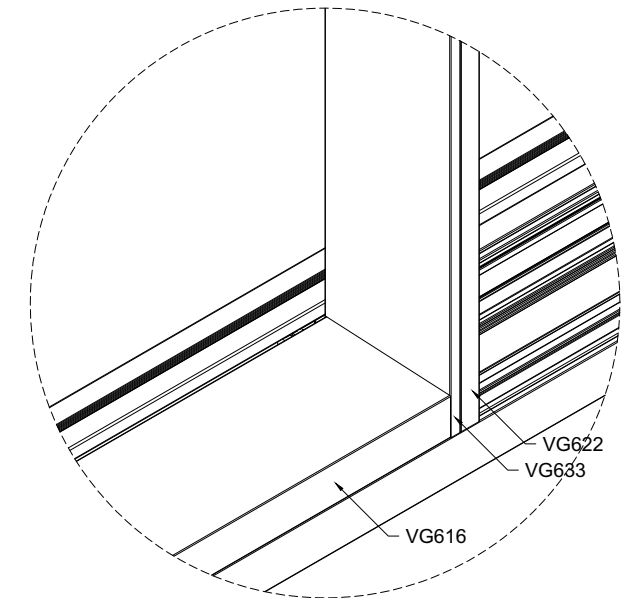
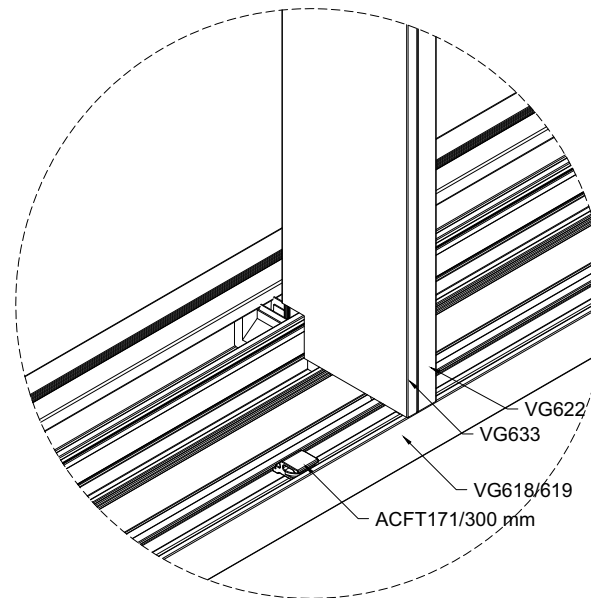
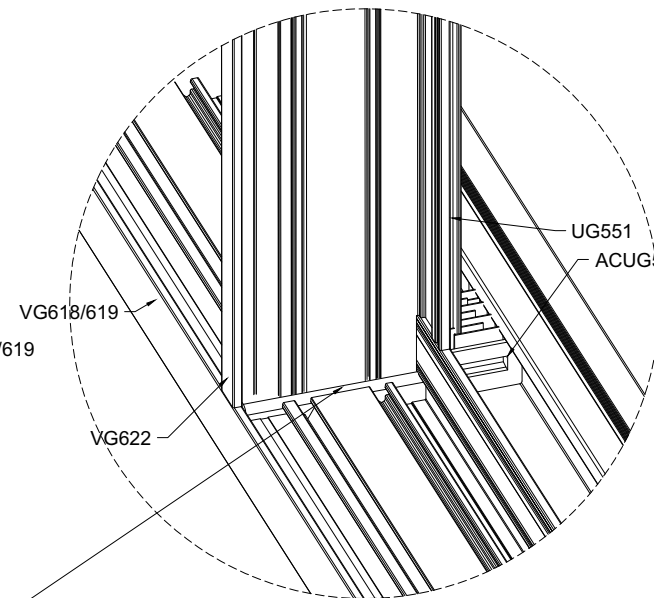
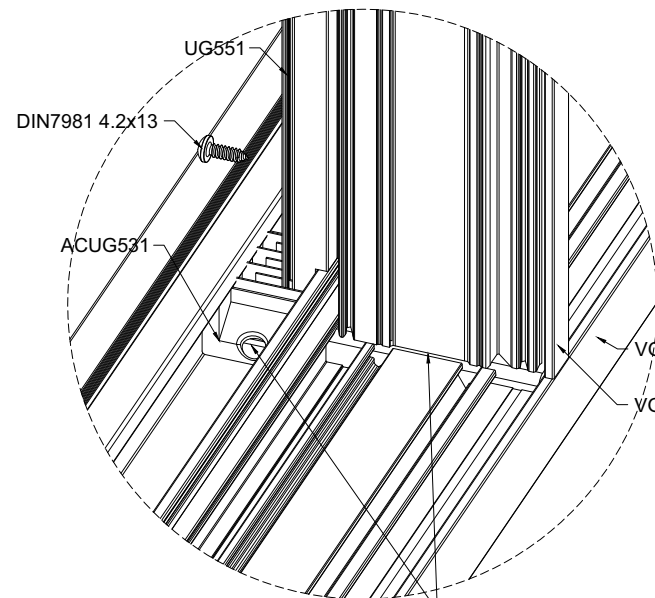
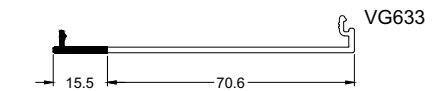
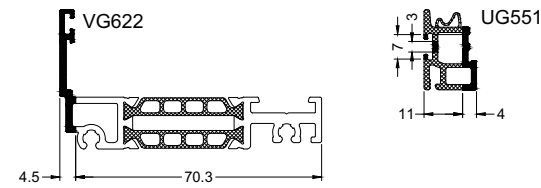
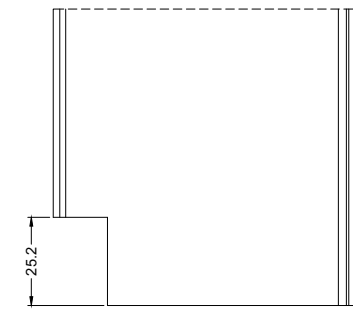
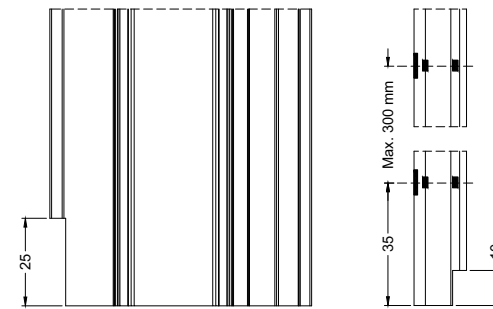
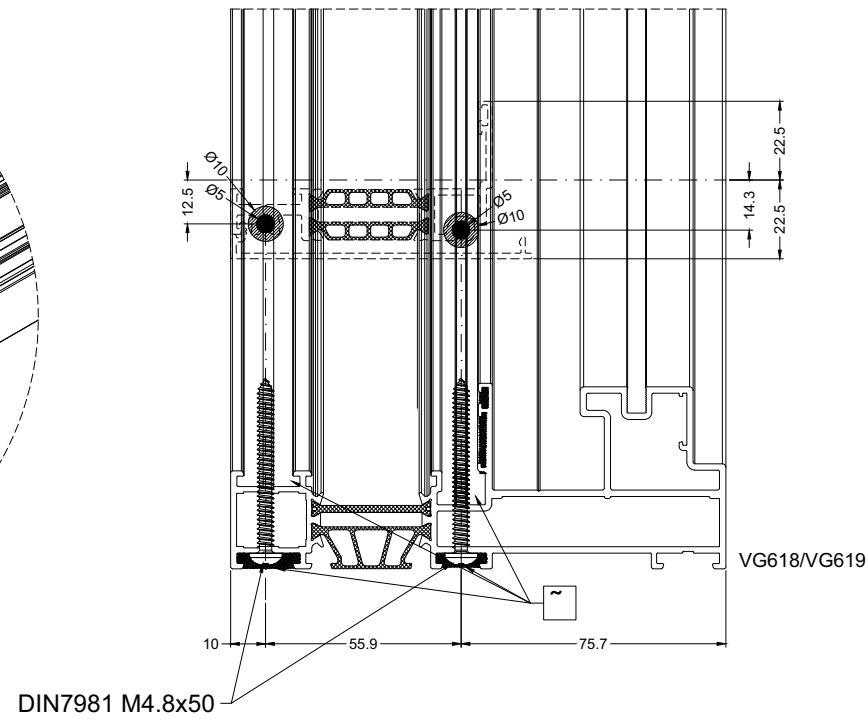
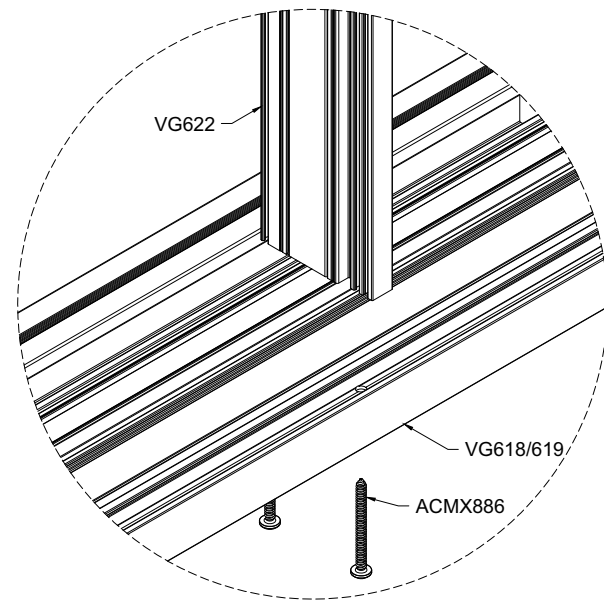
ALIPLAST GARANDEERT DE KWALITEIT VAN DE GELEVERDE PROFIELEN & TOEBEHOREN. DE KWALITEIT EN HET TESTEN VAN DE HECHTING ZIJN DE VERANTWOORDELIJKHEID VAN DE FABRIKANT.
 ALIPLAST GARANTIT LA QUALITE DES PROFILES & ACCESSOIRES LIVRES. LA QUALITE ET L'ESSAI DE L'ADHESION SONT LA RESPONSABILITE DU FABRICANT.
 ALIPLAST GARANTIERT DIE QUALITÄT DER GELIEFERTEN PROFILE UND ZUBEHÖRTEILE. DIE QUALITÄT UND DIE PRÜFUNG DER HAFTUNG SIND DIE VERANTWORTUNG DES HERSTELLERS.
 ALIPLAST GUARANTEES THE QUALITY OF THE DELIVERED PROFILES AND ACCESSORIES. THE QUALITY AND TESTING OF THE ADHESION IS THE SOLE RESPONSIBILITY OF THE MANUFACTURER.

MAXLIGHT: VLEUGELSTEUNEN
 MAXLIGHT: SUPPORT DE VANTAIL
 MAXLIGHT: FLUEGELUNTERSTUETZUNG
 MAXLIGHT: VENT SUPPORT

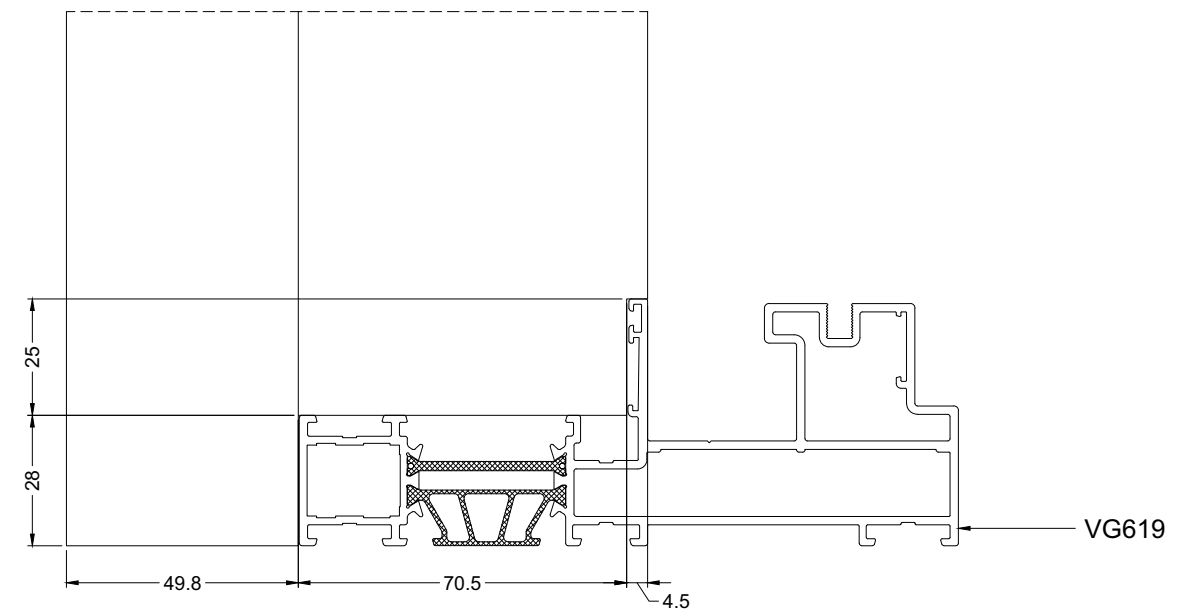
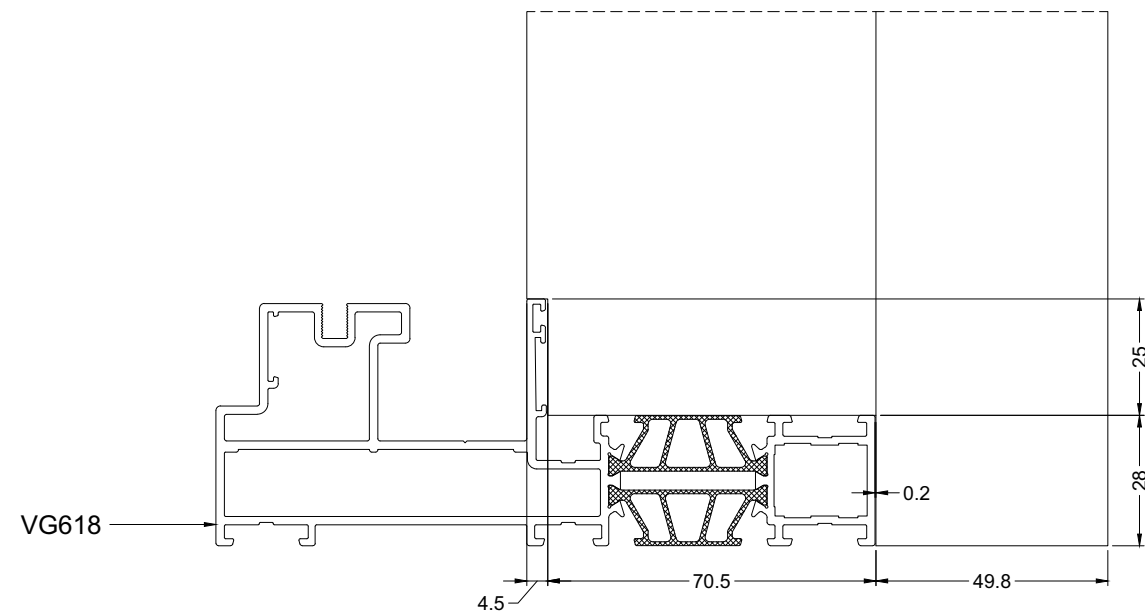
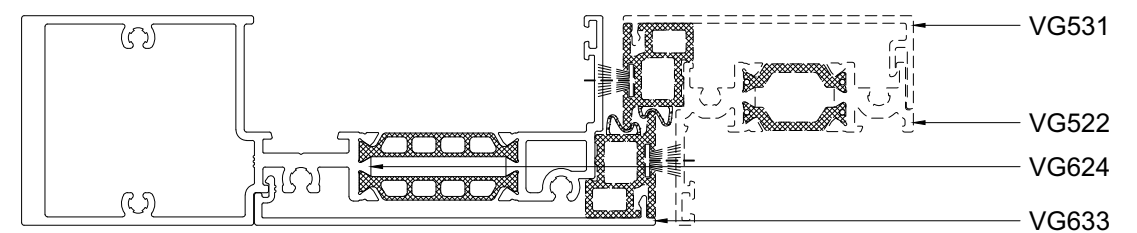
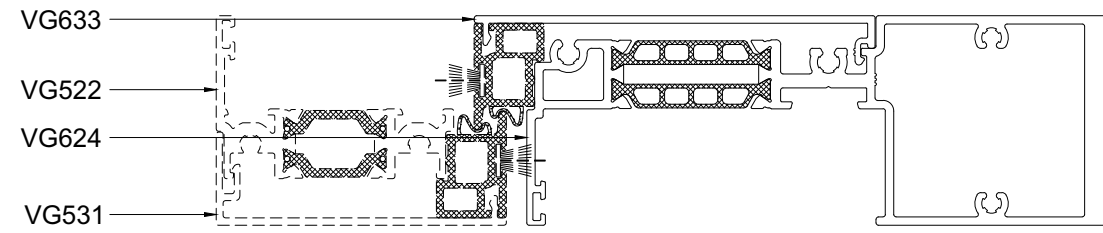
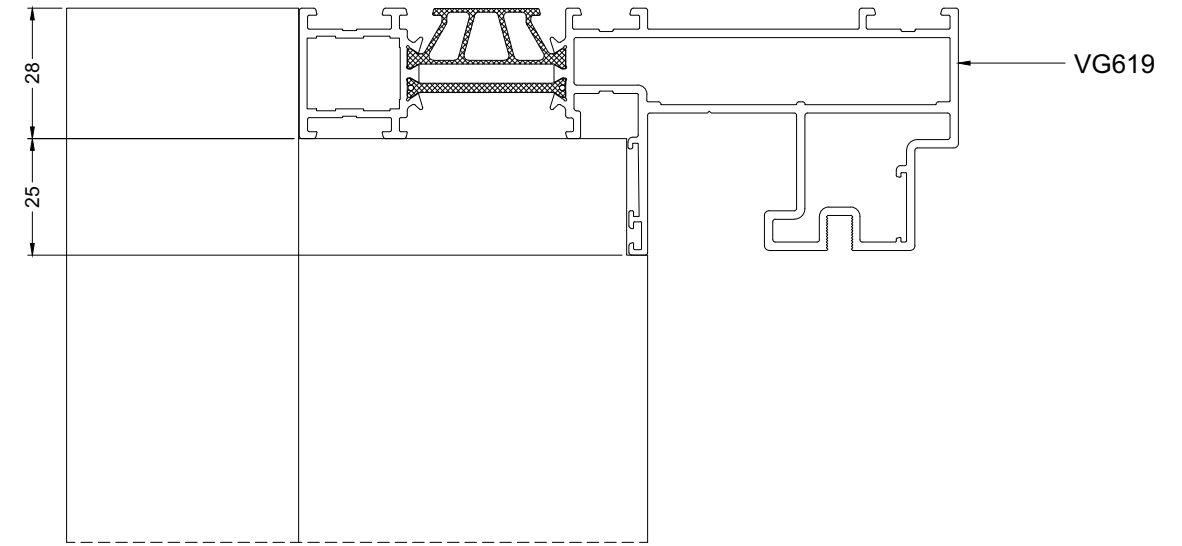
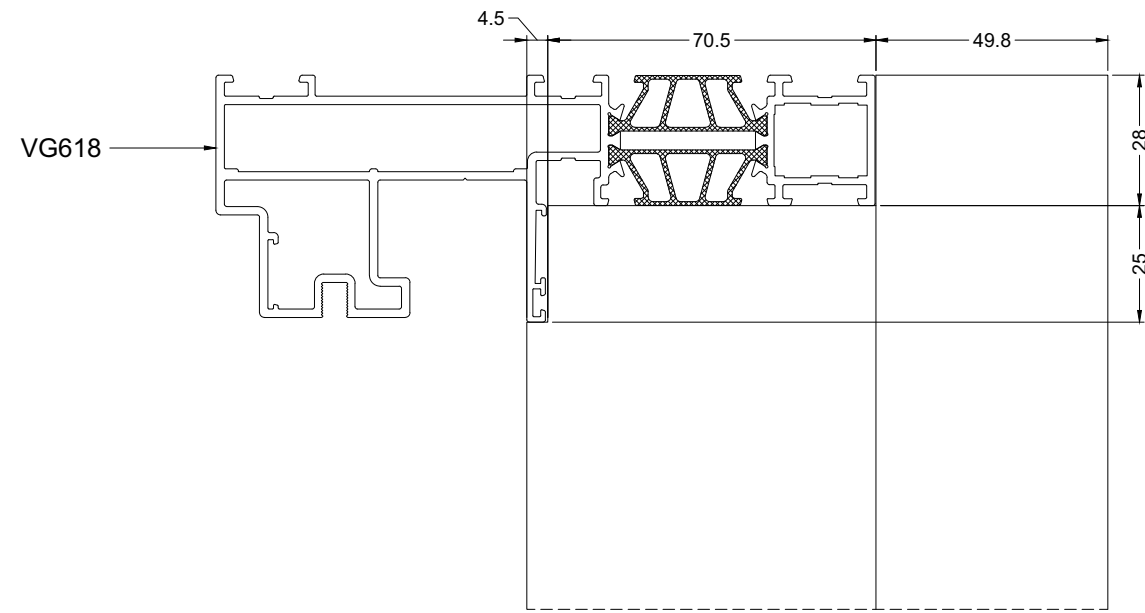


VG500

MAXLIGHT - MONORAIL
 MAXLIGHT: - MONORAIL
 MAXLIGHT: - MONORAIL
 MAXLIGHT: - MONORAIL



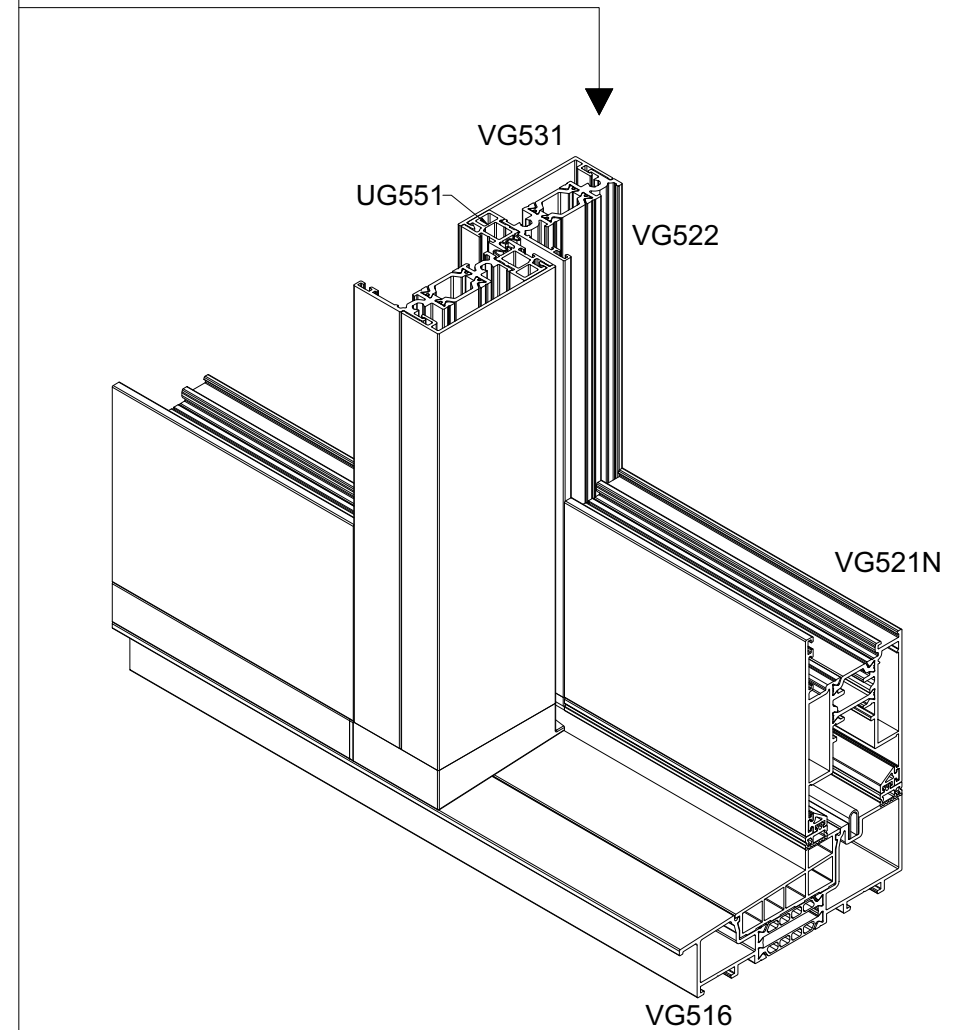
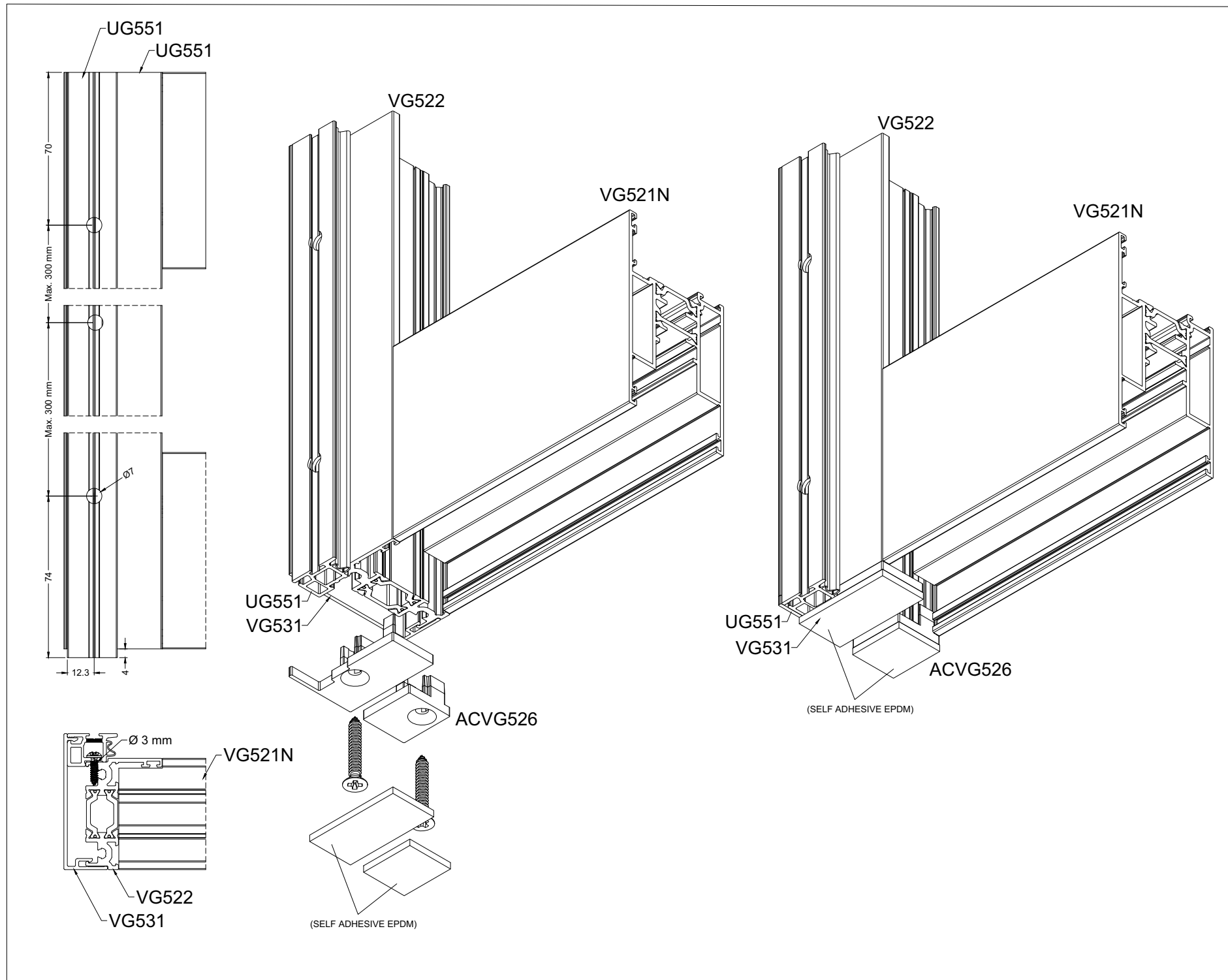
VG624
 VG624
 VG624
 VG624



MONORAIL MAXLIGHT-VG624



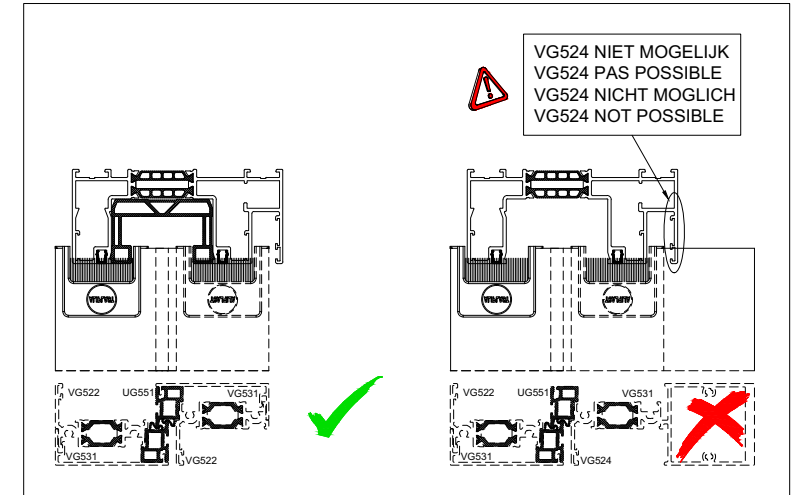
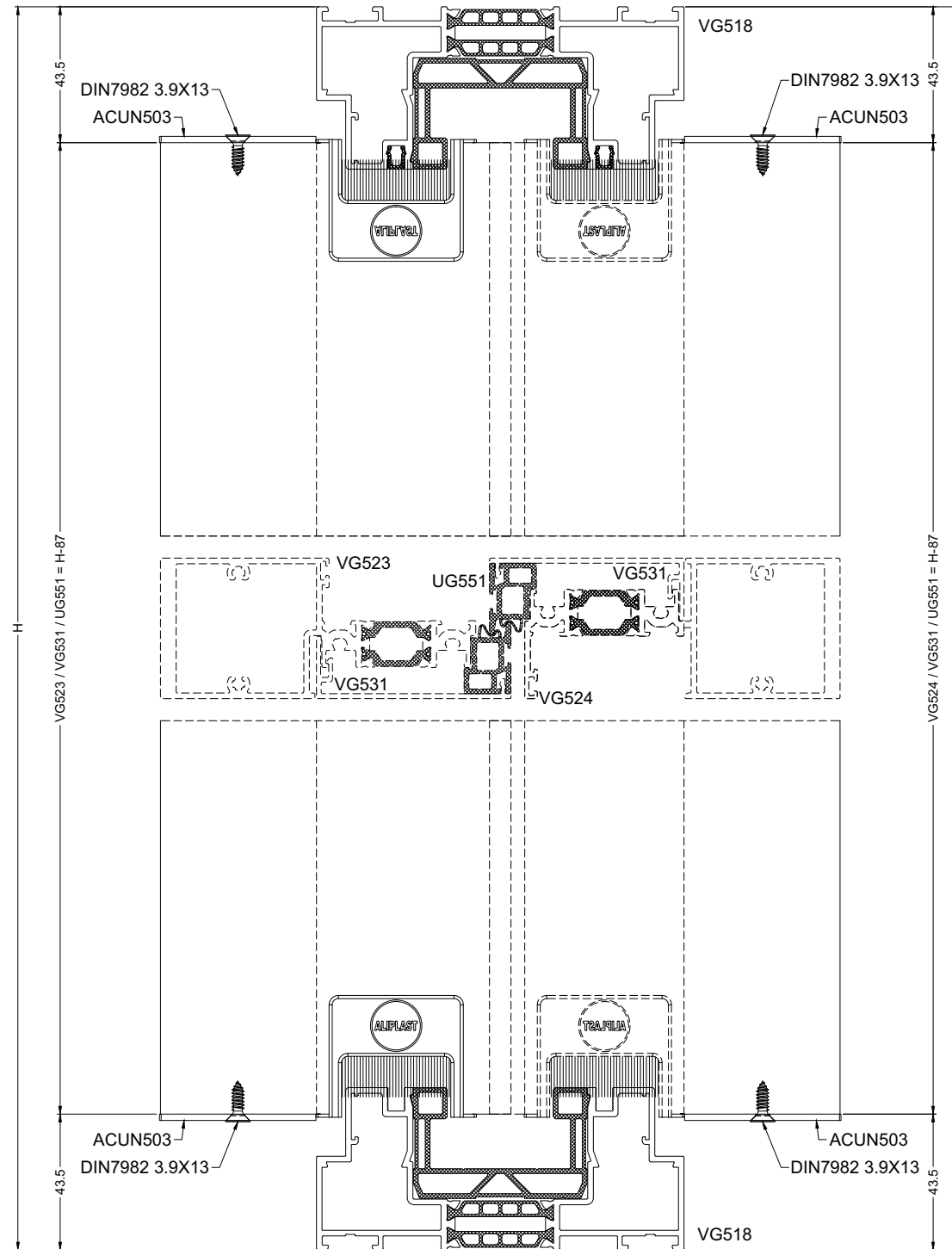
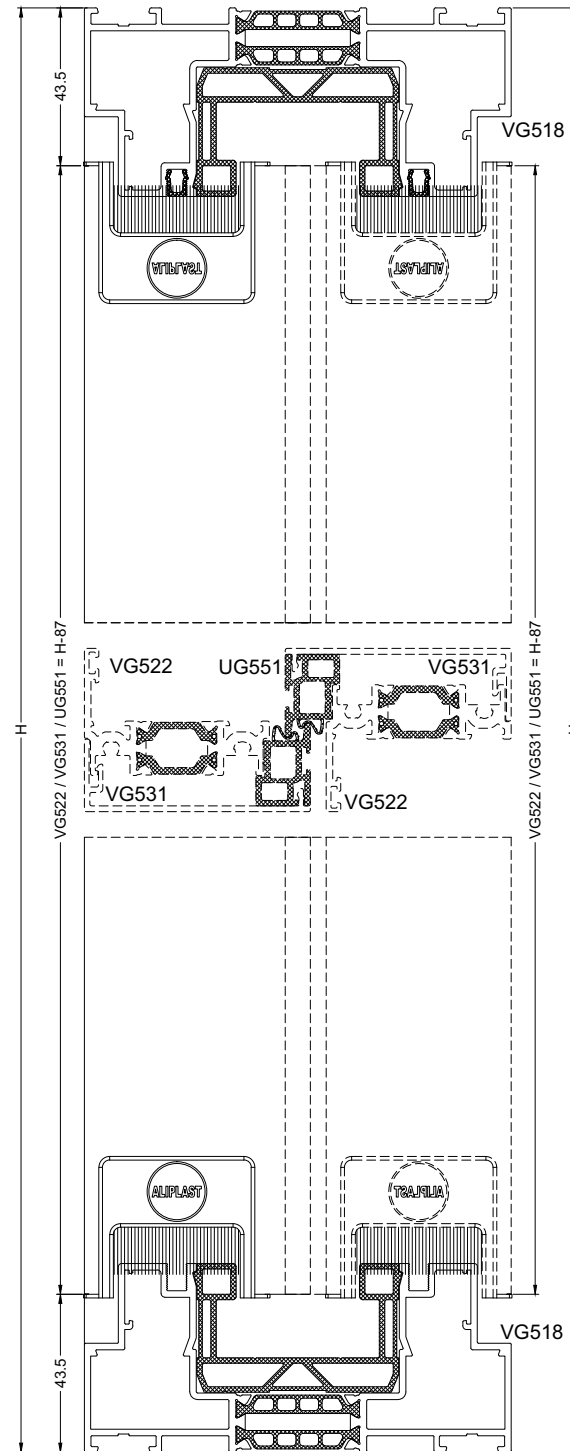
MAXLIGHT+ VLAKKE DORPEL
 MAXLIGHT + SEUIL PLAT
 MAXLIGHT + FLACHE UNDERPROFILE
 MAXLIGHT + FLAT TRESSHOLD



WERKTEKENINGEN - DESSINS DE CONSTRUCTION - KONSTRUKTIONZEICHNUNGEN - CONSTRUCTION DRAWINGS

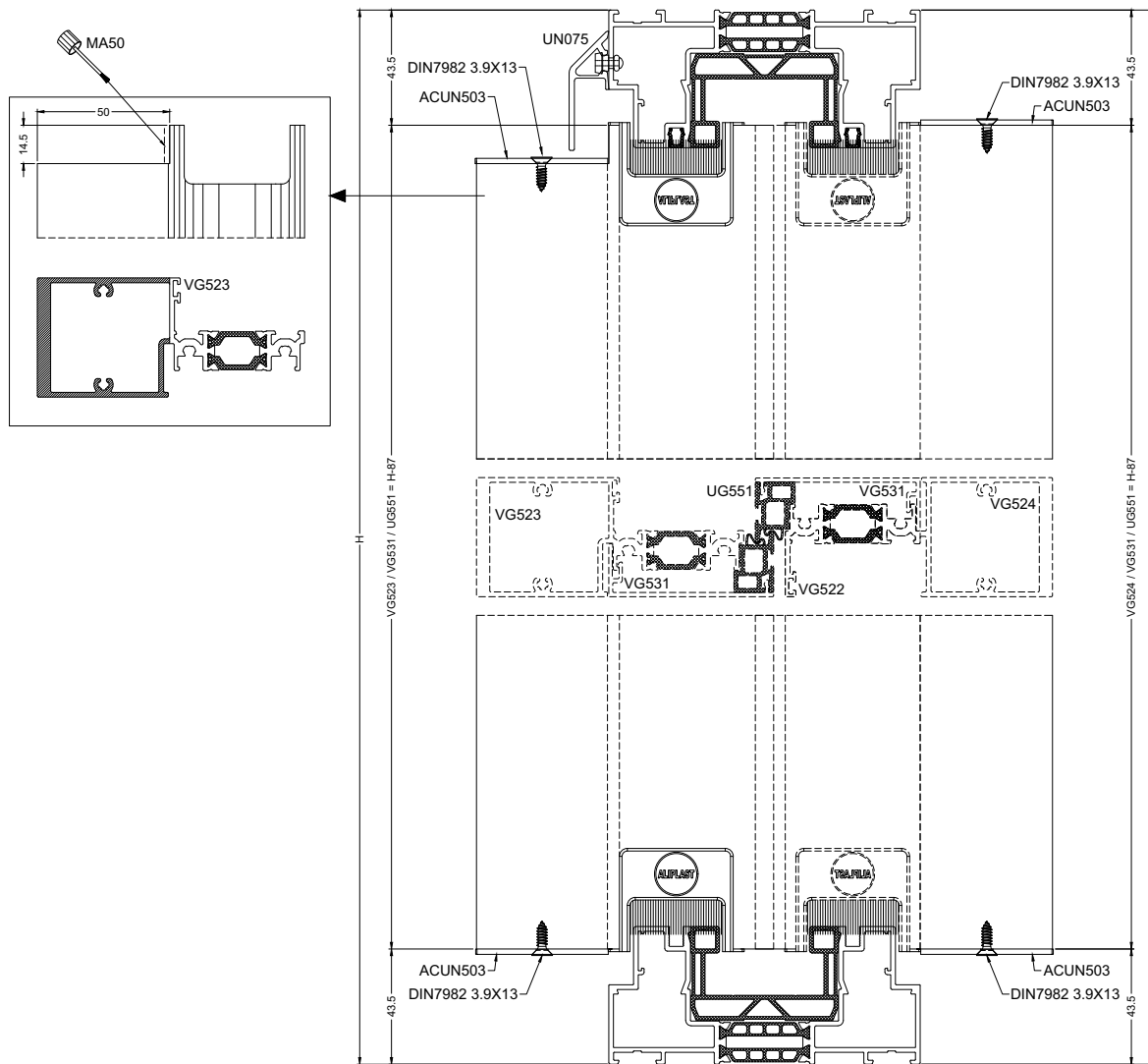
VG500

MAXLIGHT: VG522/VG523/VG524
 MAXLIGHT: VG522/VG523/VG524
 MAXLIGHT: VG522/VG523/VG524
 MAXLIGHT: VG522/VG523/VG524

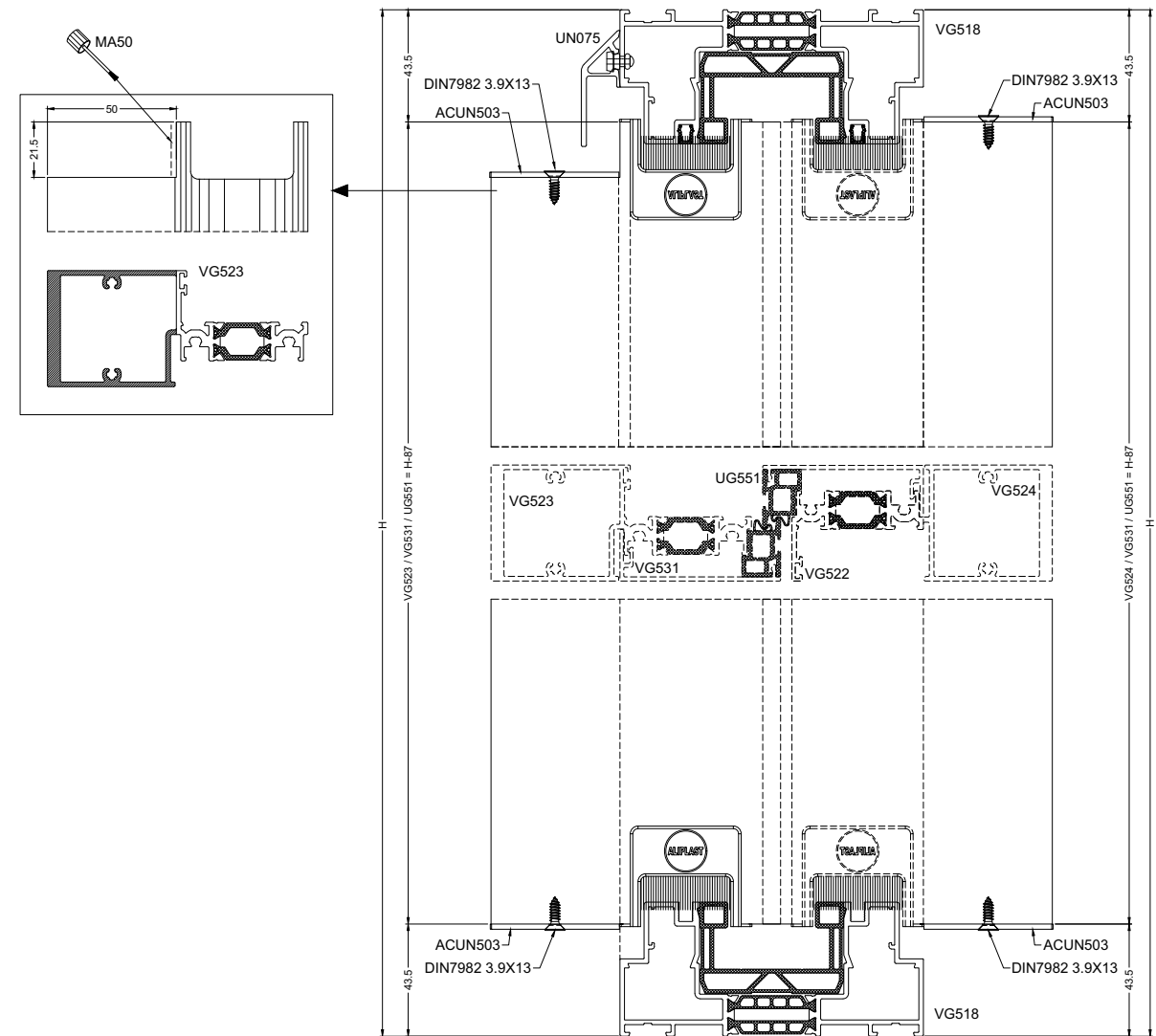


MAXLIGHT: VG522/VG523/VG524
 MAXLIGHT: VG522/VG523/VG524
 MAXLIGHT: VG522/VG523/VG524
 MAXLIGHT: VG522/VG523/VG524

SCHUIF
 COULISSANT
 SCHIEBE
 SLIDE



HEFSCHUIF
 SOULEVANT COULISSANT
 HEBESCHIEBE
 LIFT AND SLIDE



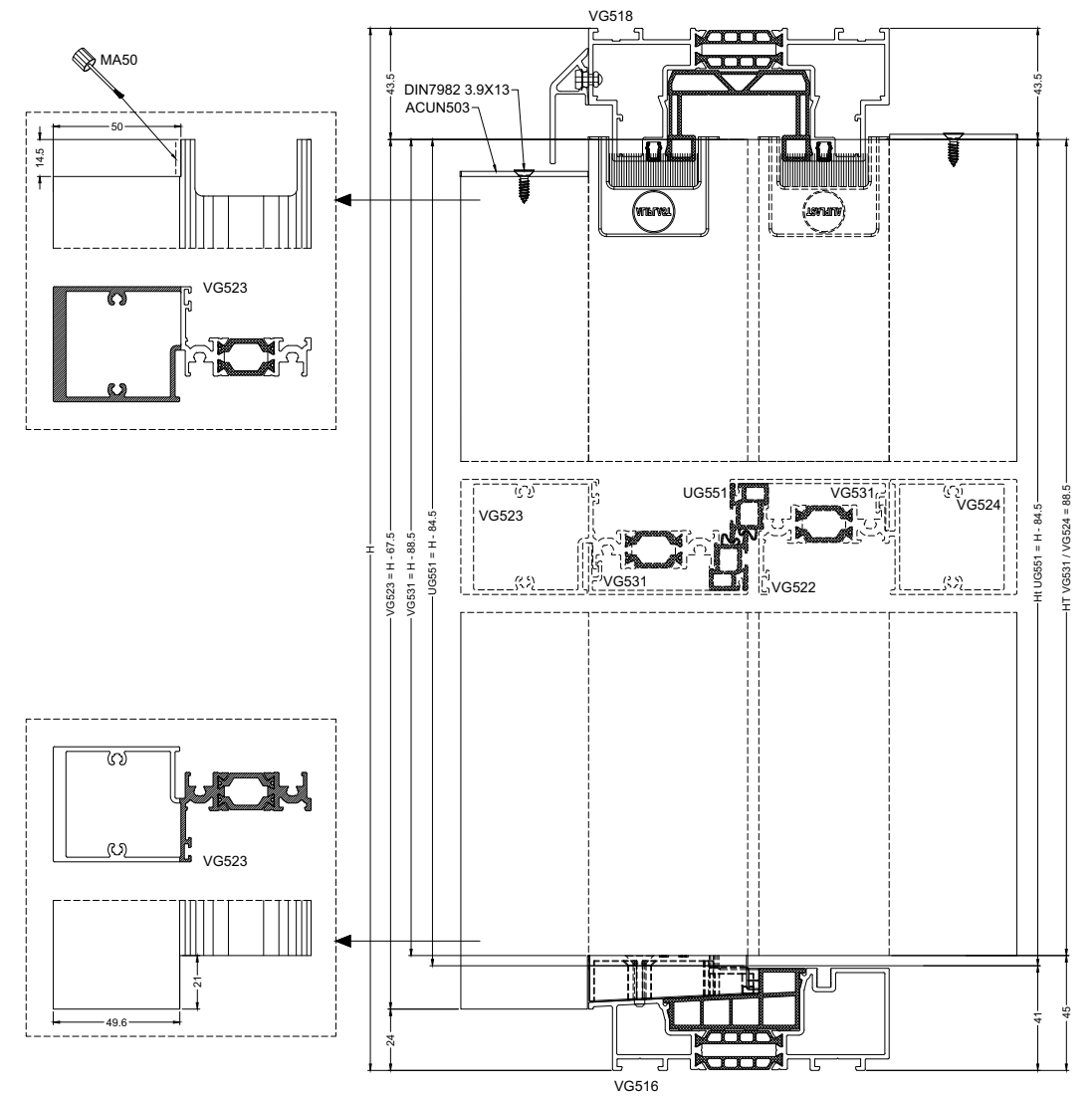
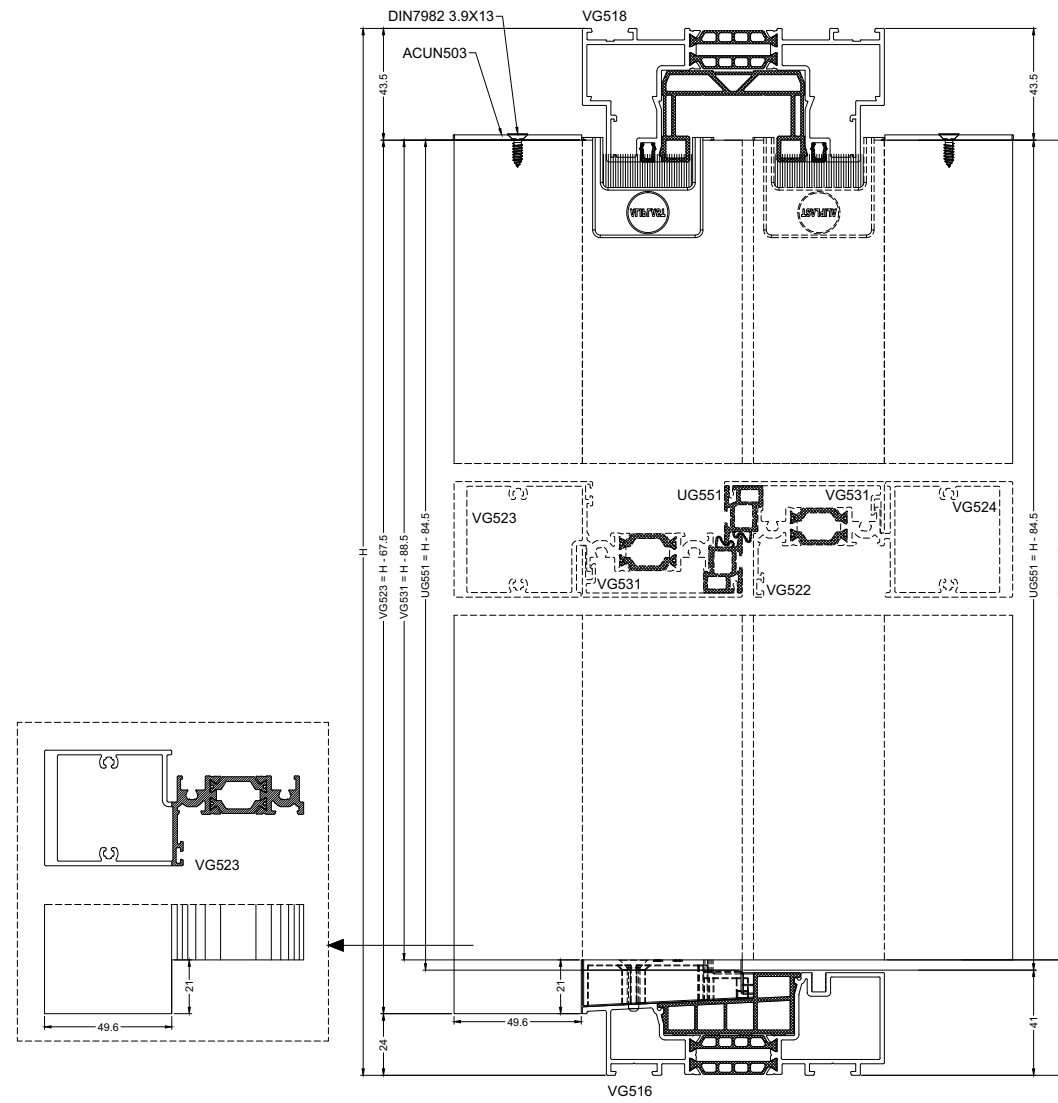
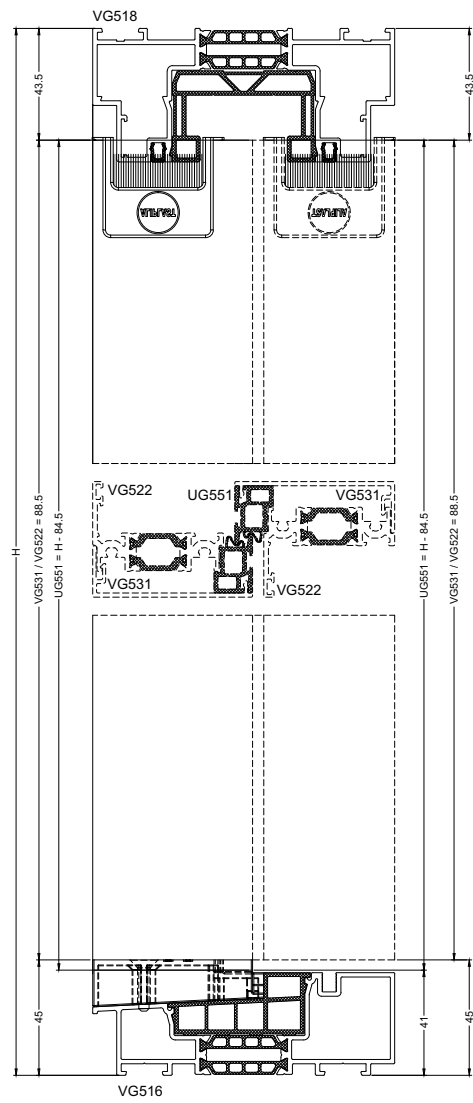
VG500

MAXLIGHT: VG522/VG523/VG524

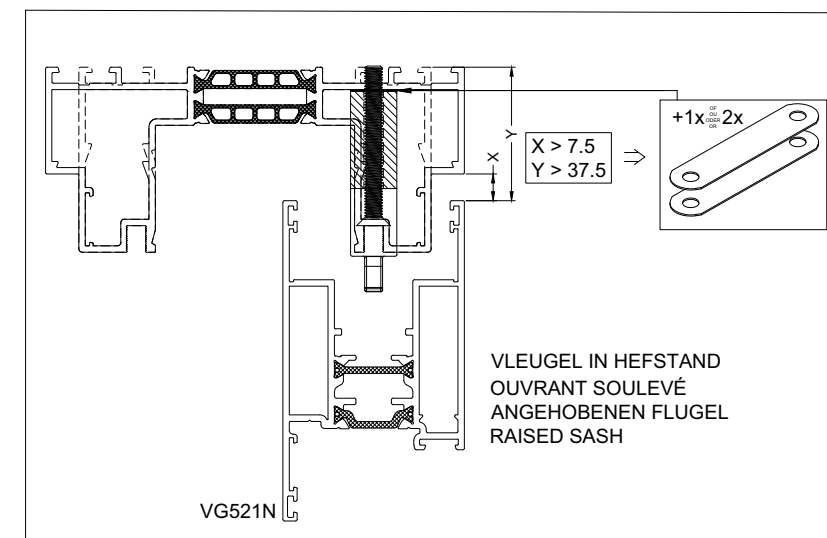
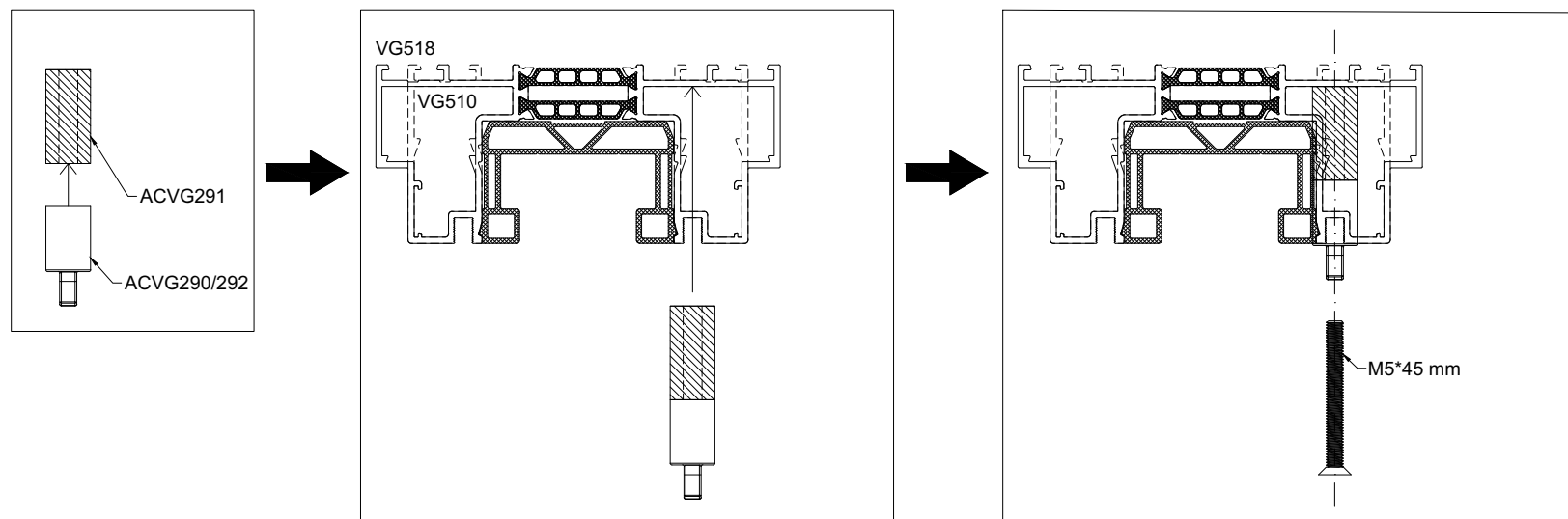
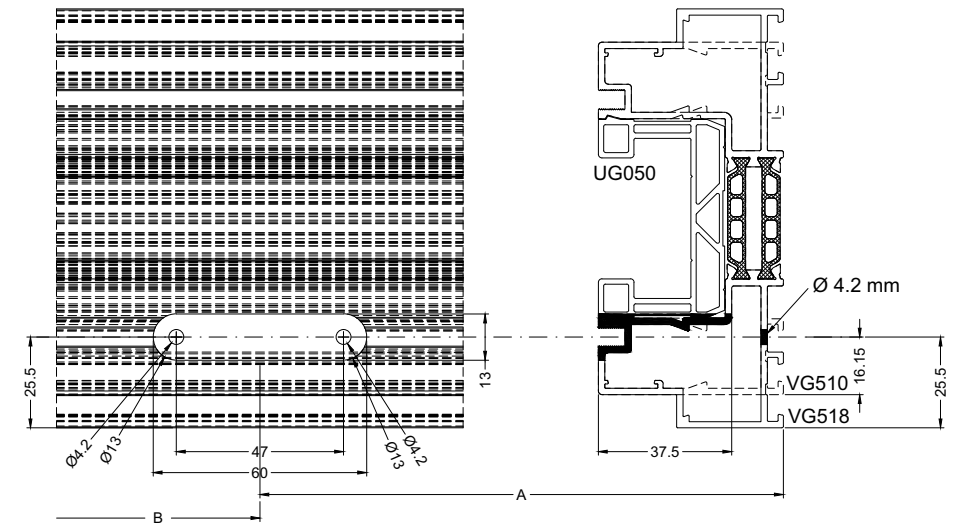
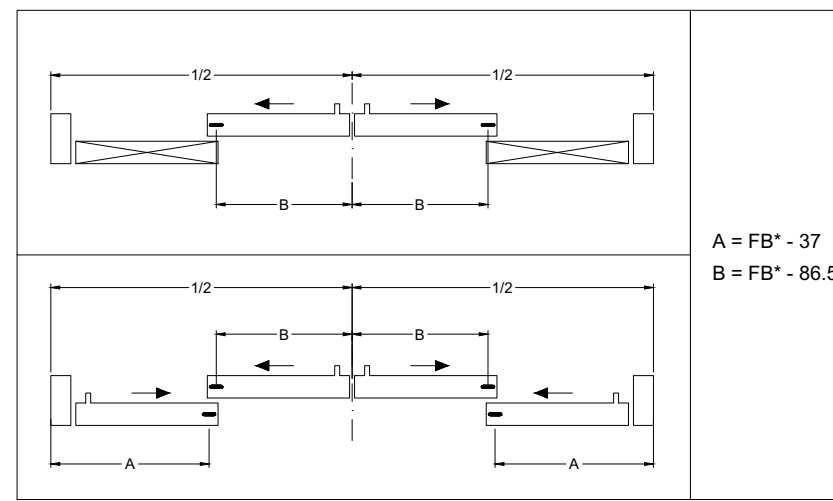
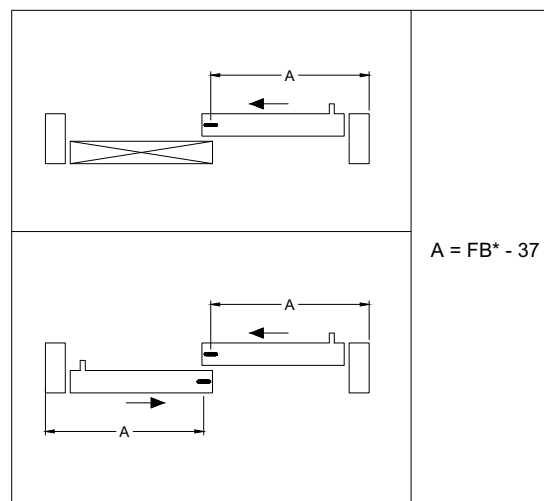
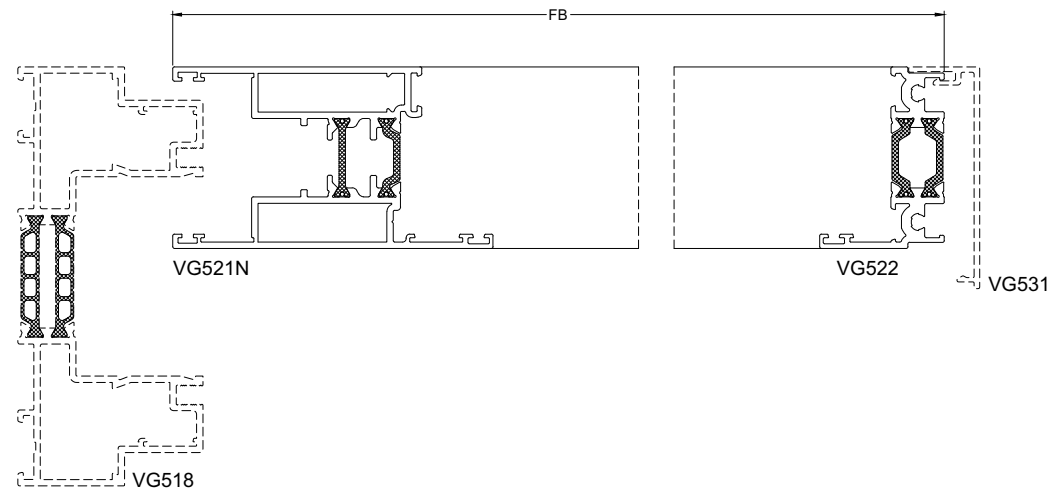
MAXLIGHT: VG522/VG523/VG524

MAXLIGHT: VG522/VG523/VG524

MAXLIGHT: VG522/VG523/VG524

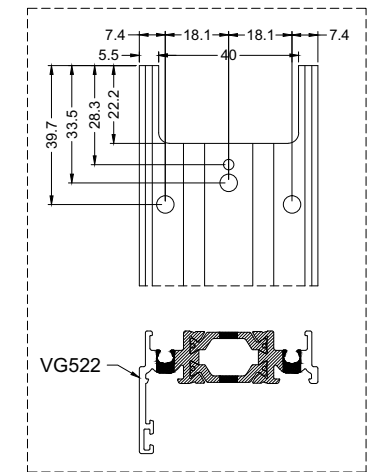
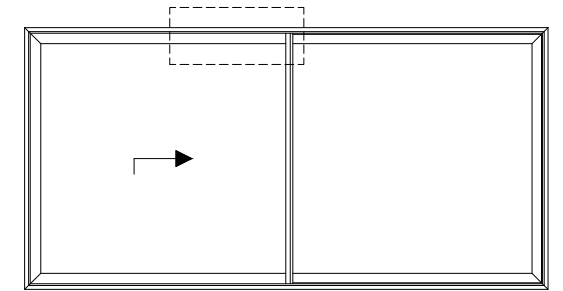
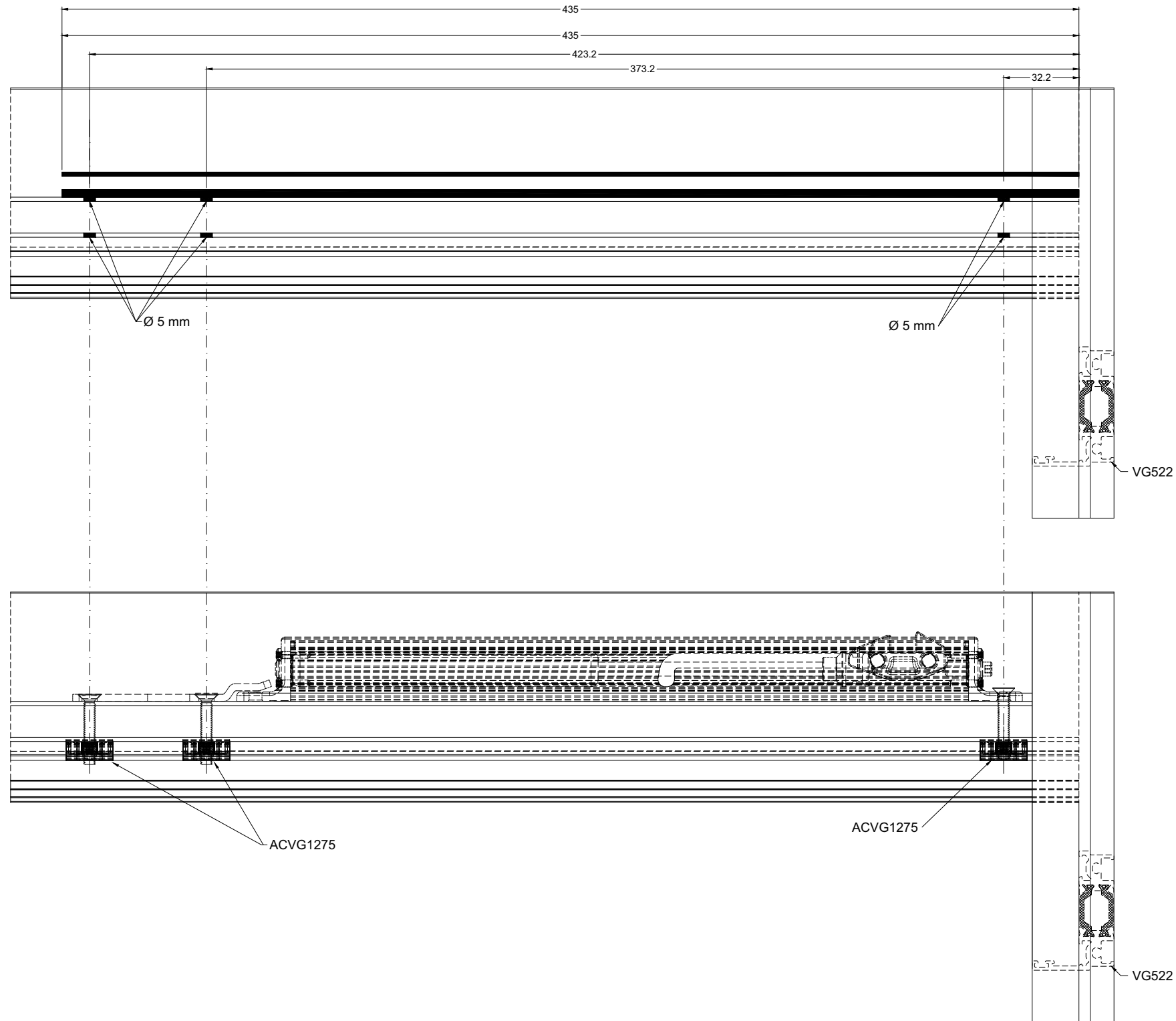
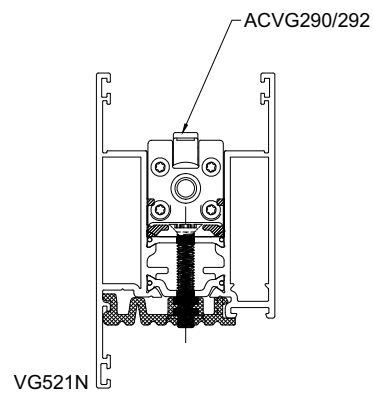
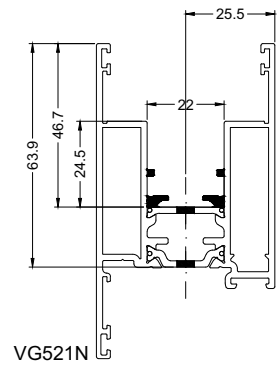


MAXLIGHT + COMFORT CLOSE
 MAXLIGHT + COMFORT CLOSE
 MAXLIGHT + COMFORT CLOSE
 MAXLIGHT + COMFORT CLOSE



VG500

MAXLIGHT + COMFORT CLOSE
MAXLIGHT + COMFORT CLOSE
MAXLIGHT + COMFORT CLOSE
MAXLIGHT + COMFORT CLOSE



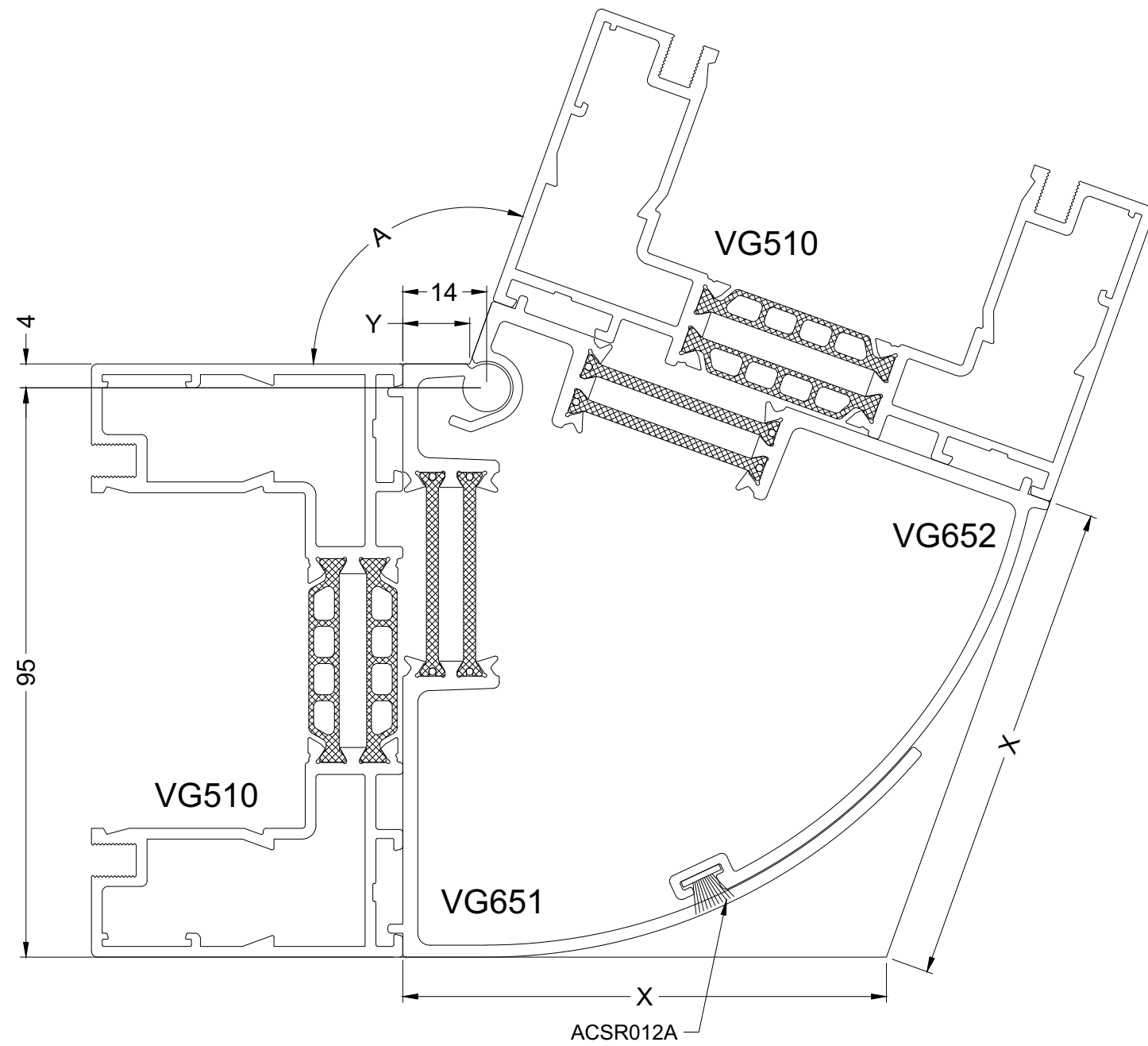
COMFORT CLOSE-ML

VG651-VG652
 VG651-VG652
 VG651-VG652
 VG651-VG652

$$90^\circ < A < 137^\circ$$

$$X = 14 + \frac{95}{\tan \frac{A}{2}}$$

$$Y = 14 - \frac{4}{\tan \frac{A}{2}}$$



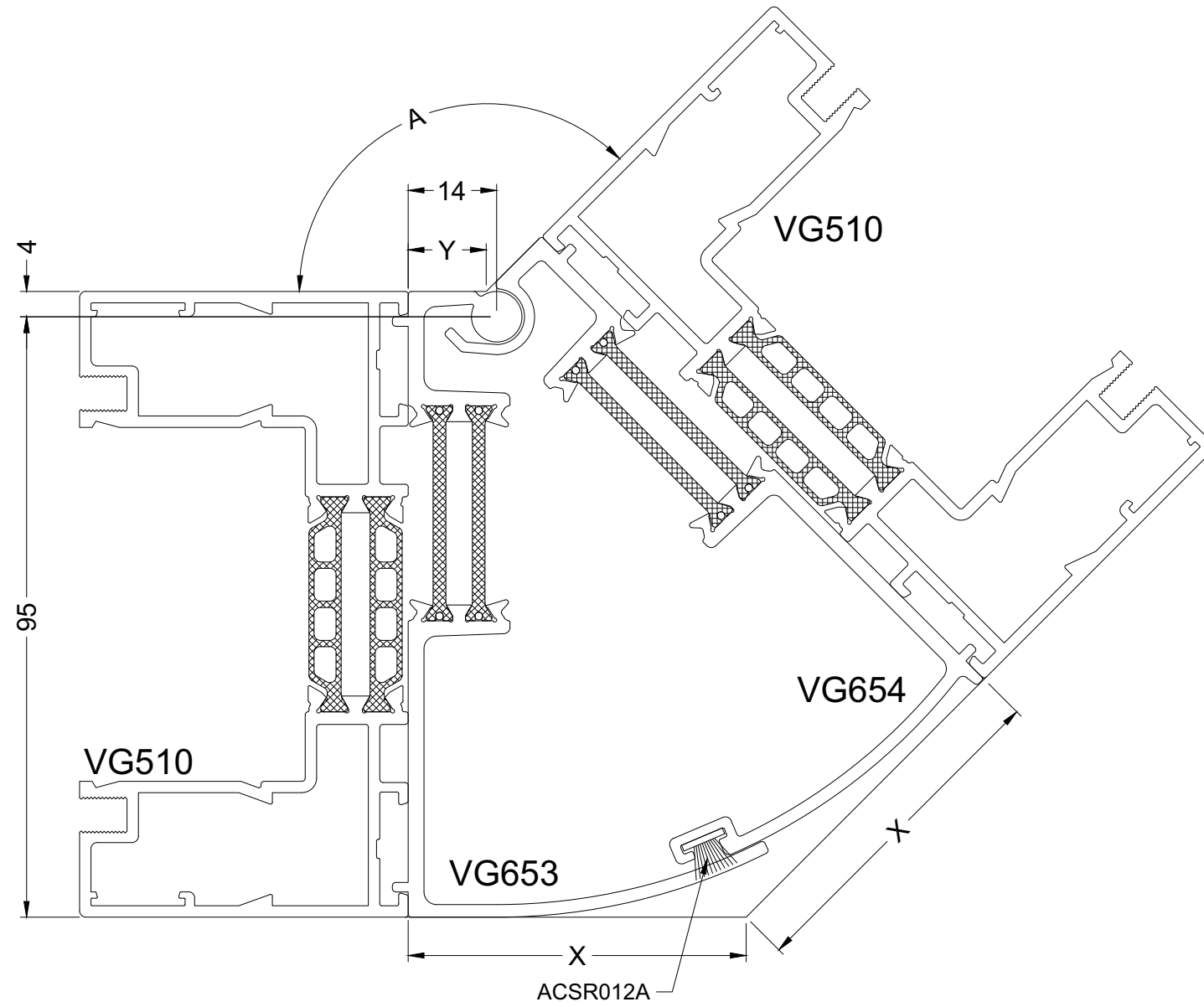
VG500

VG653-VG654
VG653-VG654
VG653-VG654
VG653-VG654

$$133^\circ < A < 160^\circ$$

$$X = 14 + \frac{95}{\tan \frac{A}{2}}$$

$$Y = 14 - \frac{4}{\tan \frac{A}{2}}$$

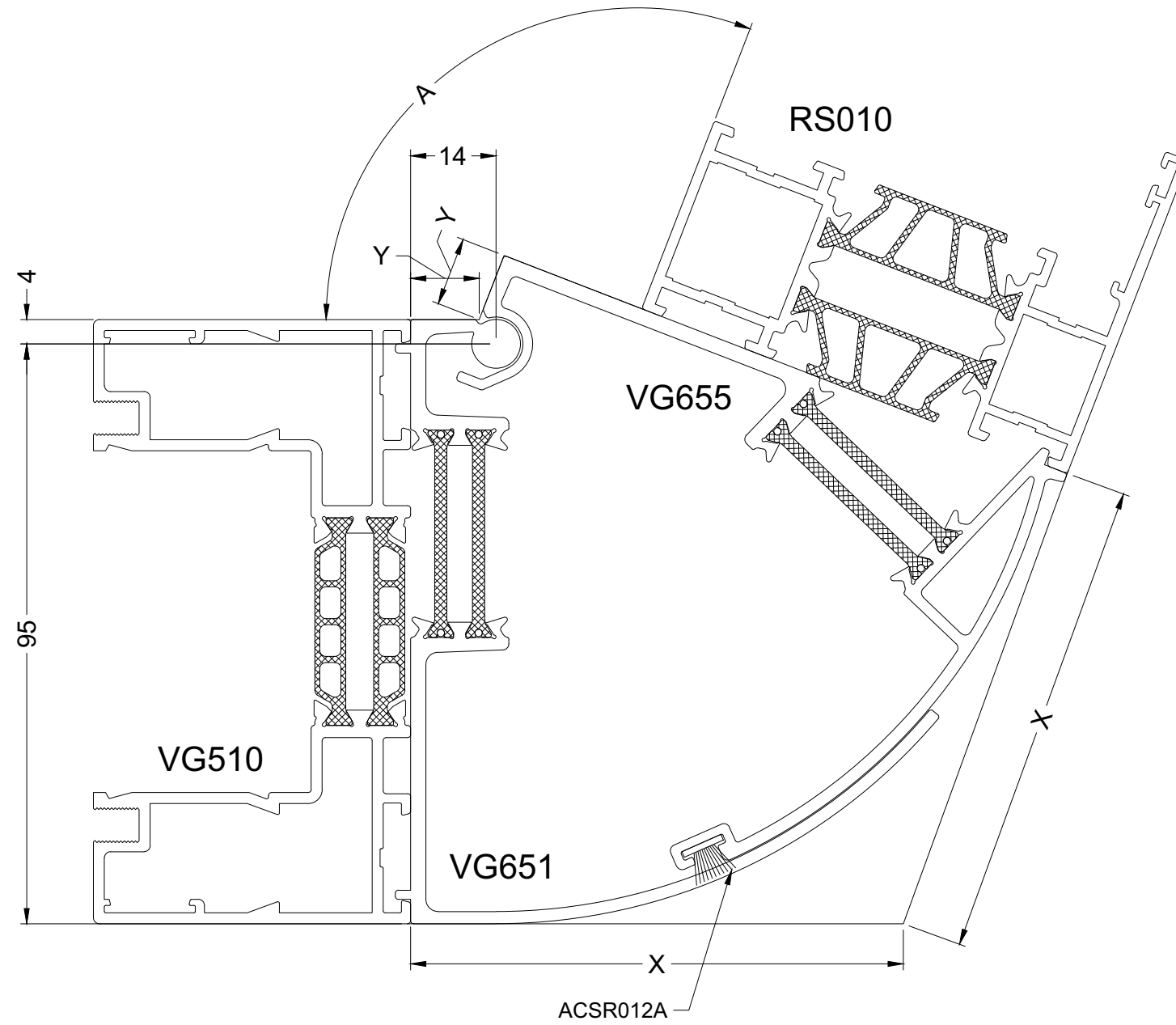


VG651-VG655
 VG651-VG655
 VG651-VG655
 VG651-VG655

$$90^\circ < A < 137^\circ$$

$$X = 14 + \frac{95}{\tan \frac{A}{2}}$$

$$Y = 14 - \frac{4}{\tan \frac{A}{2}}$$



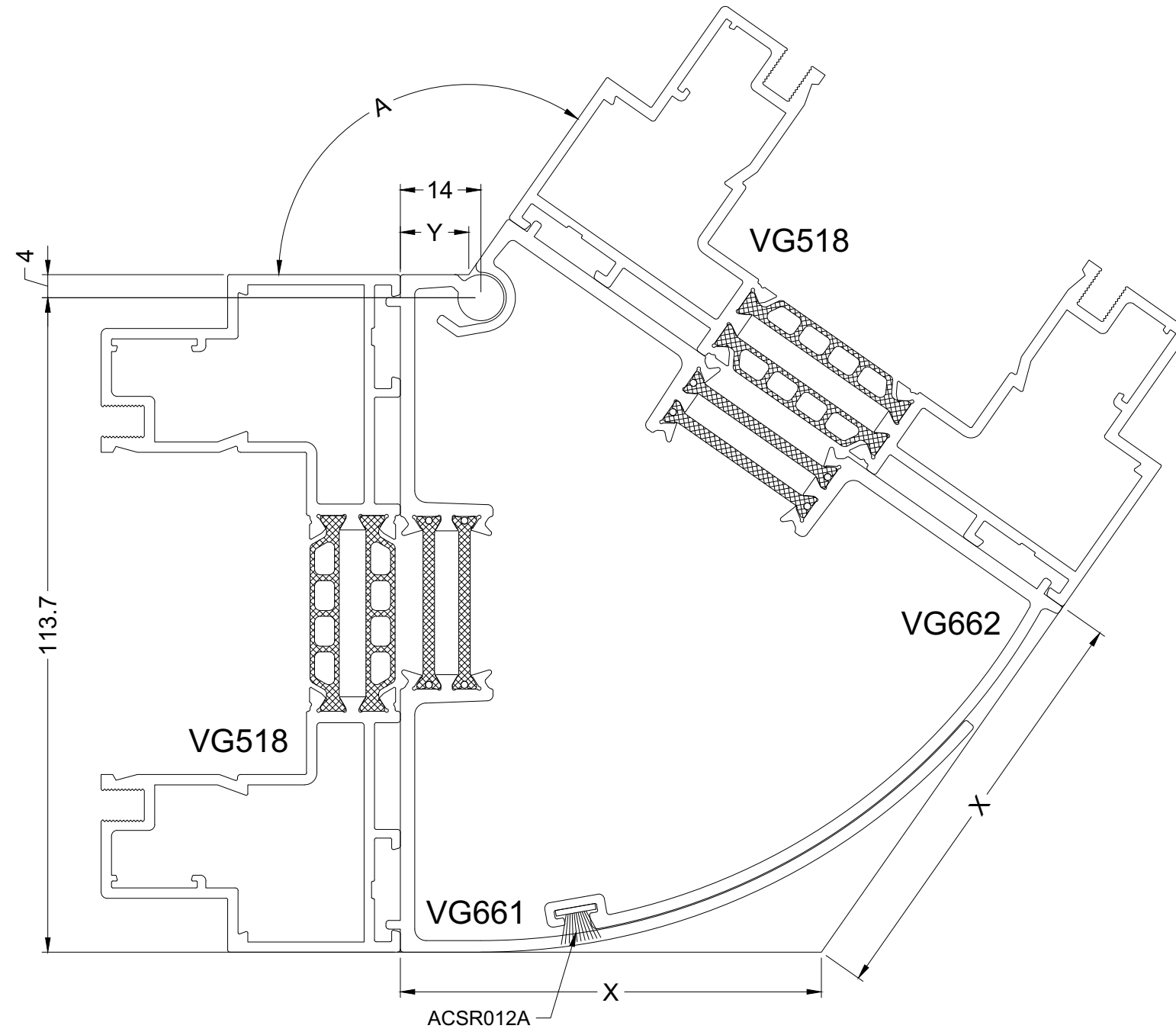
VG500

VG661-VG662
 VG661-VG662
 VG661-VG662
 VG661-VG662

$$90^\circ < A < 137^\circ$$

$$X = 14 + \frac{113.7}{\tan \frac{A}{2}}$$

$$Y = 14 - \frac{4}{\tan \frac{A}{2}}$$



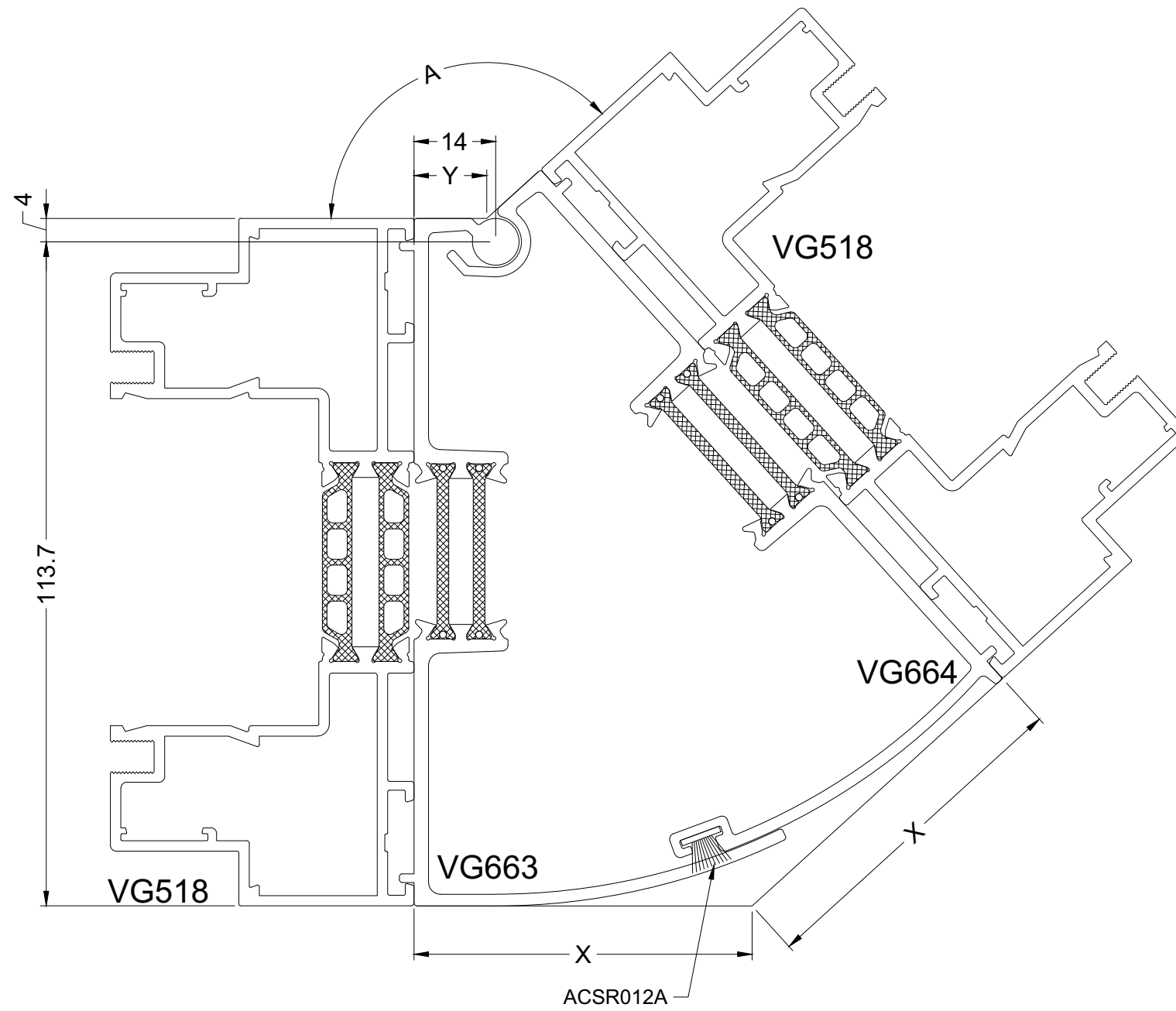
VG661-VG662

VG663-VG664
 VG663-VG664
 VG663-VG664
 VG663-VG664

$$133^\circ < A < 160^\circ$$

$$X = 14 + \frac{113.7}{\tan \frac{A}{2}}$$

$$Y = 14 - \frac{4}{\tan \frac{A}{2}}$$



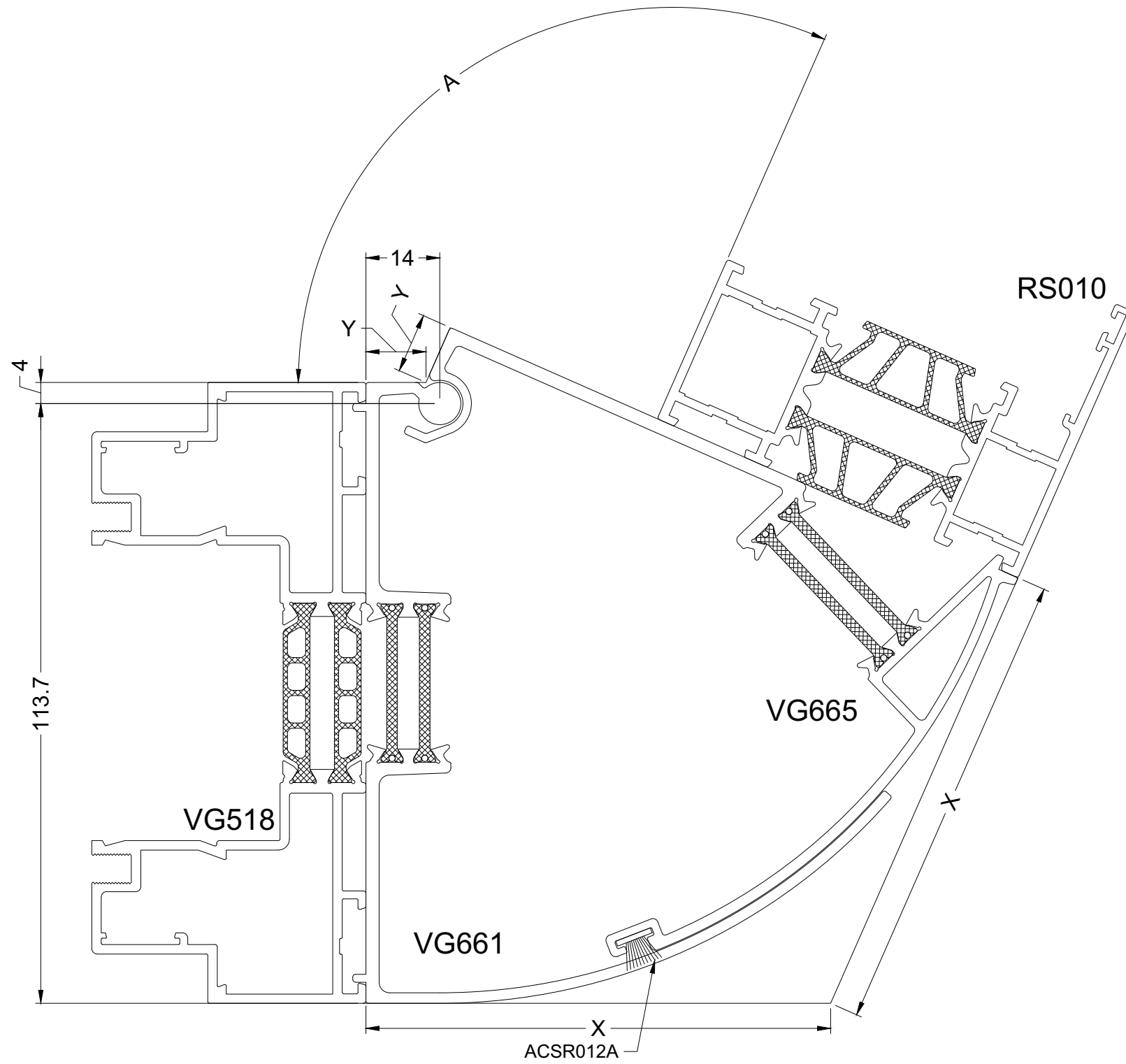
VG500

VG661-VG665
VG661-VG665
VG661-VG665
VG661-VG665

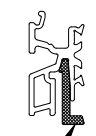

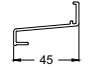



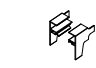
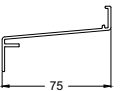



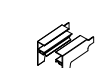
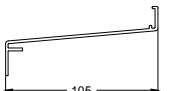



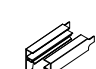















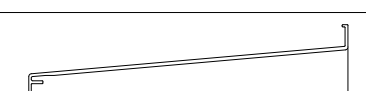




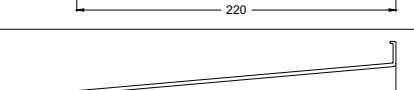
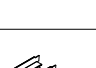
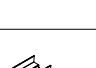
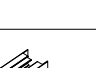

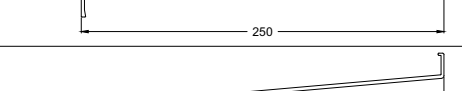


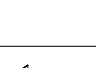

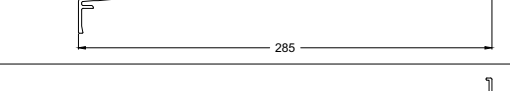
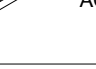
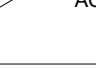


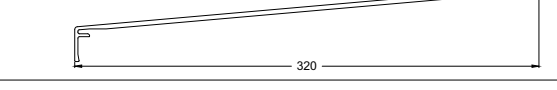
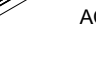
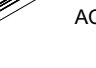


$$90^\circ < A < 137^\circ$$

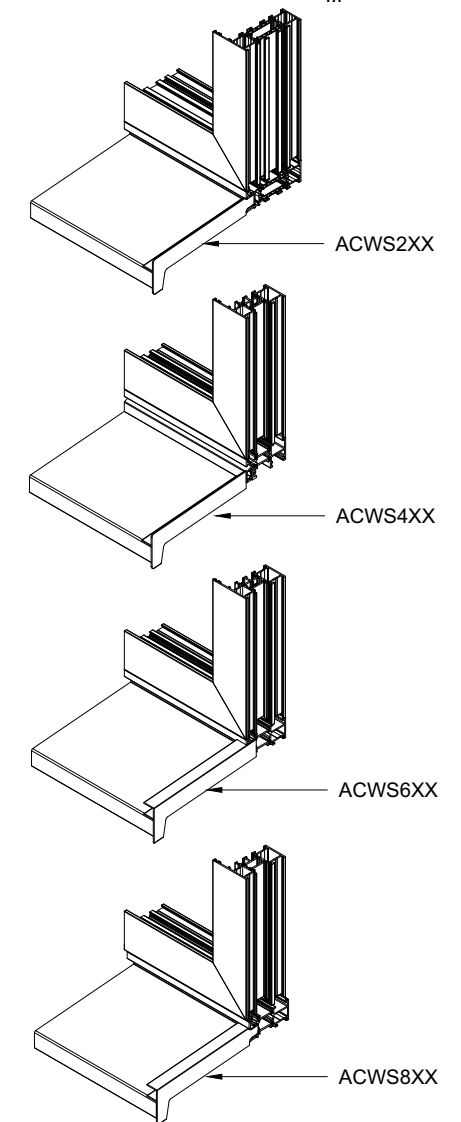
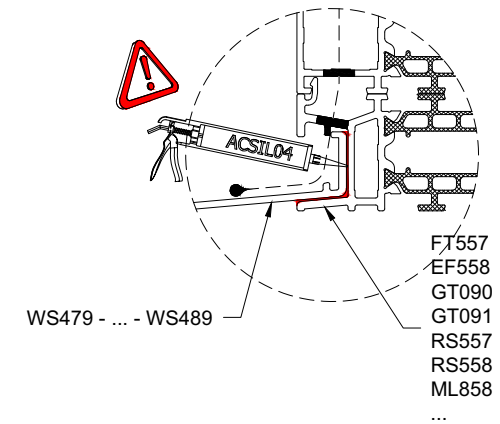
$$X = 14 + \frac{113.7}{\tan \frac{A}{2}}$$

$$Y = 14 - \frac{4}{\tan \frac{A}{2}}$$



VG661-VG665

| | | FT557 EF558 GT090 GT091 RS557 RS558 ML858 ... |  VL457 VL458 FT457 FT458 RS458 ... | FT557 EF558 GT090 GT091 RS557 RS558 ML858 ... |  VL457 VL458 FT457 FT458 RS458 ... | FT557 EF558 GT090 GT091 RS557 RS558 ML858 ... |
|---|--|---|---|---|---|--|
|  WS479 |  ACWS279 |  ACWS479 |  ACWS679 |  ACWS879 | | |
|  WS480 |  ACWS280 |  ACWS480 |  ACWS680 |  ACWS880 | | |
|  WS481 |  ACWS281 |  ACWS481 |  ACWS681 |  ACWS881 | | |
|  WS482 |  ACWS282 |  ACWS482 |  ACWS682 |  ACWS882 | | |
|  WS483 |  ACWS283 |  ACWS483 |  ACWS683 |  ACWS883 | | |
|  WS484 |  ACWS284 |  ACWS484 |  ACWS684 |  ACWS884 | | |
|  WS485 |  ACWS285 |  ACWS485 |  ACWS685 |  ACWS885 | | |
|  WS486 |  ACWS286 |  ACWS486 |  ACWS686 |  ACWS886 | | |
|  WS487 |  ACWS287 |  ACWS487 |  ACWS687 |  ACWS887 | | |
|  WS488 |  ACWS288 |  ACWS488 |  ACWS688 |  ACWS888 | | |
|  WS489 |  ACWS289 |  ACWS489 |  ACWS689 |  ACWS889 | | |

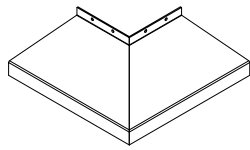
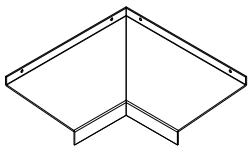
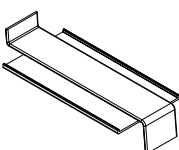
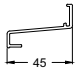
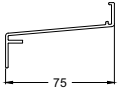
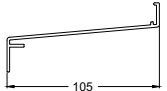



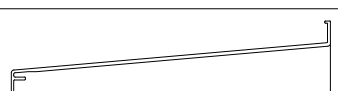
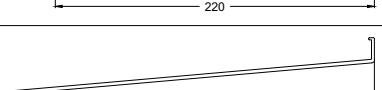
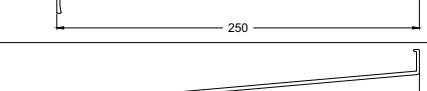
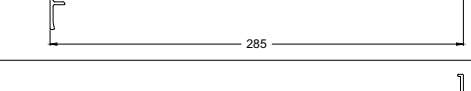



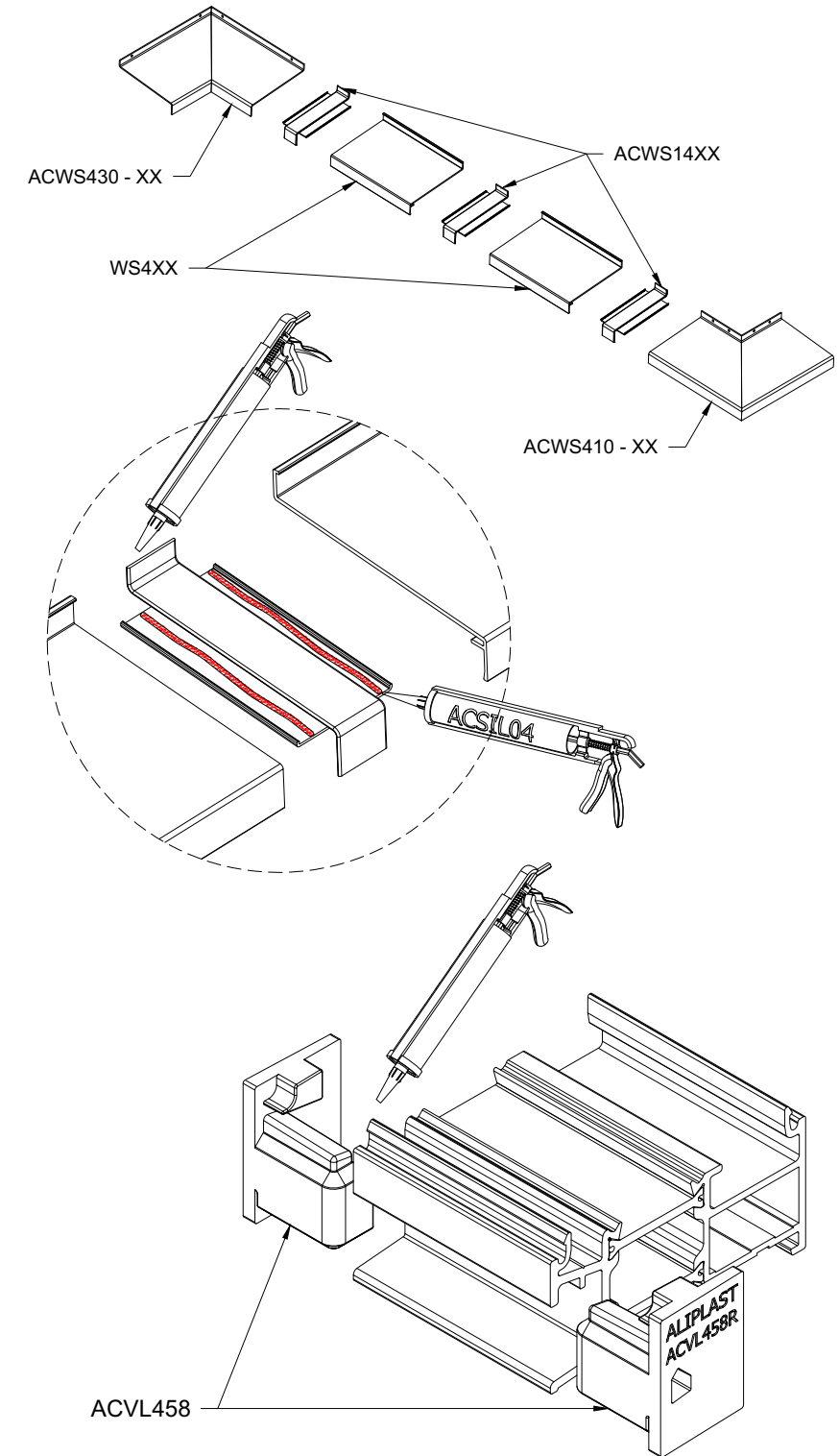
EINDSTUKKEN_TABLETTEN

aliplast
member of



VG500

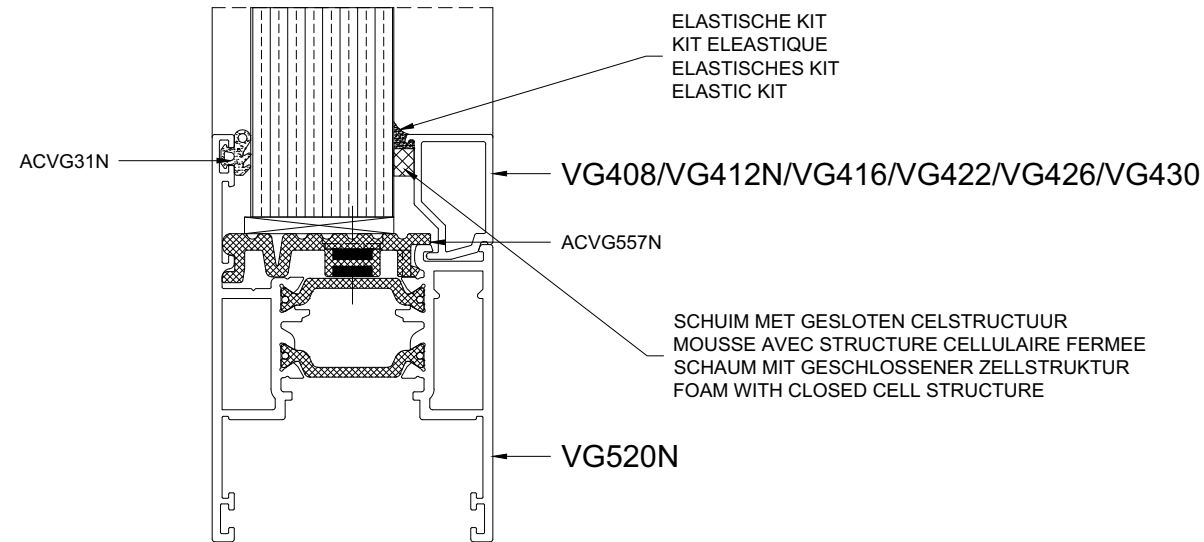
| |  |  |  |
|---|--|---|---|
|  WS479 | ACWS410 - 79 | ACWS430 - 79 | |
|  WS480 | ACWS410 - 80 | ACWS430 - 80 | ACWS1480 |
|  WS481 | ACWS410 - 81 | ACWS430 - 81 | ACWS1481 |
|  WS482 | ACWS410 - 82 | ACWS430 - 82 | ACWS1482 |
|  WS483 | ACWS410 - 83 | ACWS430 - 83 | ACWS1483 |
|  WS484 | ACWS410 - 84 | ACWS430 - 84 | ACWS1484 |
|  WS485 | ACWS410 - 85 | ACWS430 - 85 | ACWS1485 |
|  WS486 | ACWS410 - 86 | ACWS430 - 86 | ACWS1486 |
|  WS487 | ACWS410 - 87 | ACWS430 - 87 | ACWS1487 |
|  WS488 | ACWS410 - 88 | ACWS430 - 88 | ACWS1488 |
|  WS489 | ACWS410 - 89 | ACWS430 - 89 | ACWS1489 |



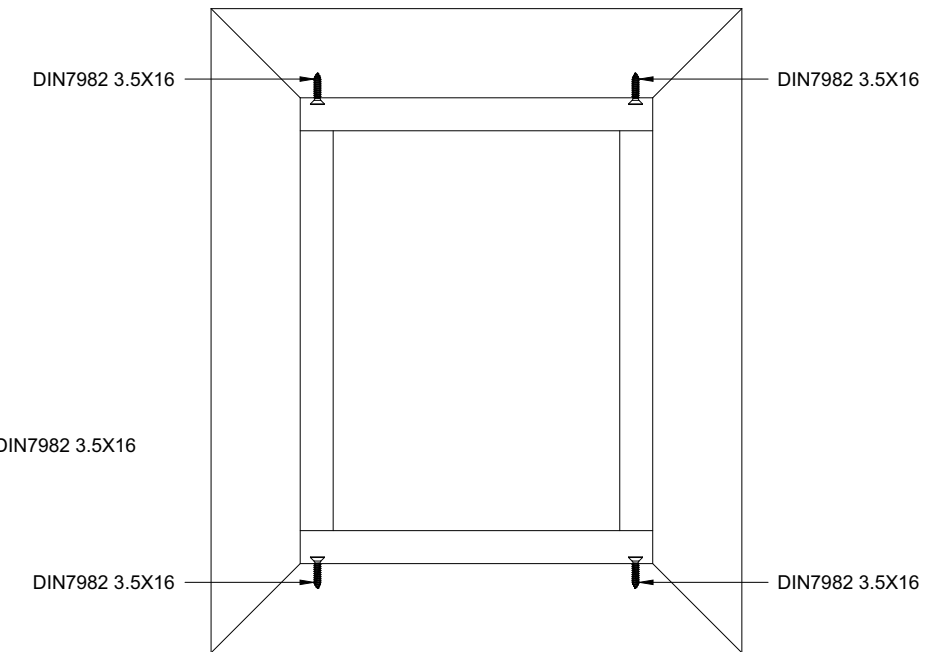
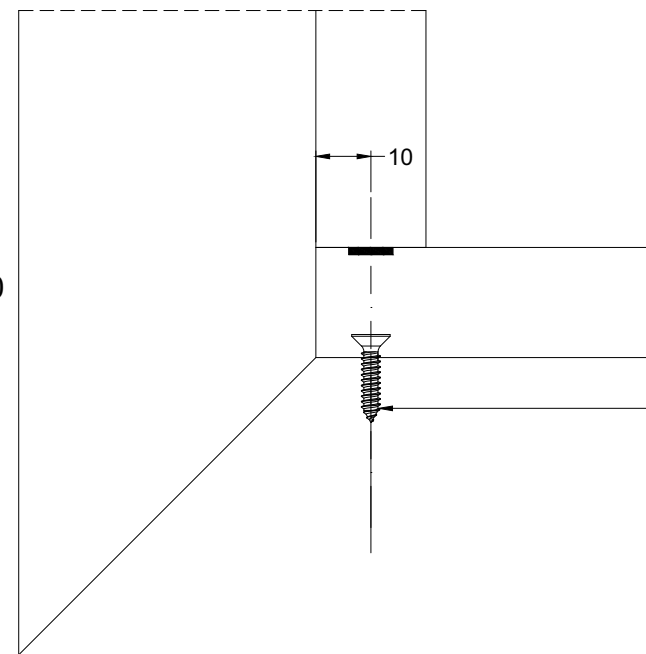
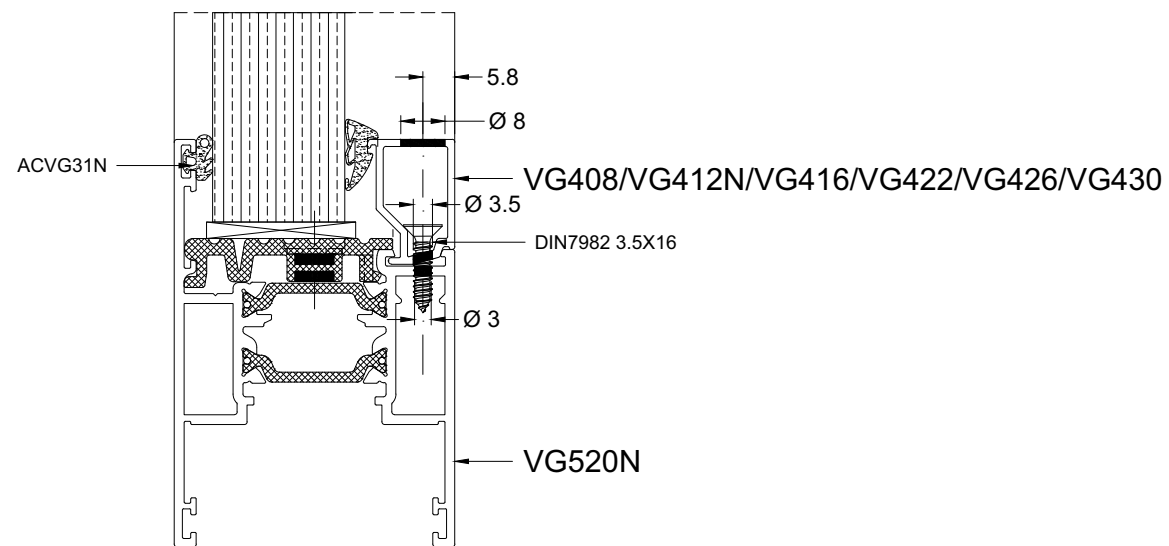


SKG** - ALGEMEEN PRINCIPE GLASLATTEN (VOOR ALLE SKG**-CONFIGURATIES)
 SKG** - PRINCIPE GENERAL LATTES A VITRAGE (POUR TOUTES CONFIGURATIONS SKG**)
 SKG** - ALGEMEINER GRUNDSATZ GLASLEISTEN (ALLE KONFIGURATIONEN SKG**)
 SKG** - GENERAL PRINCIPLE GLAZING BEADS (ALL CONFIGURATIONS SKG**)

**OPTIE 1
OPTION 1**

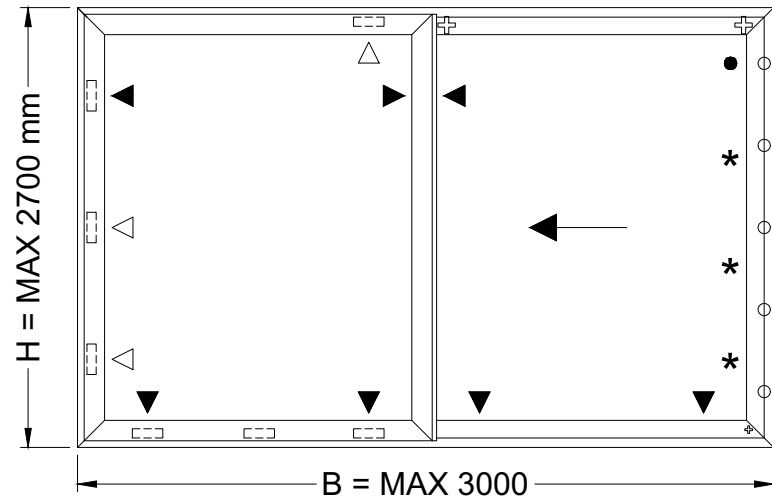


**OPTIE 2
OPTION 2**



VG500

SKG** - 2RAIL - 1F-2O
 SKG** - 2RAIL - 1F-2O
 SKG** - 2RAIL - 1F-2O
 SKG** - 2RAIL - 1F-2O

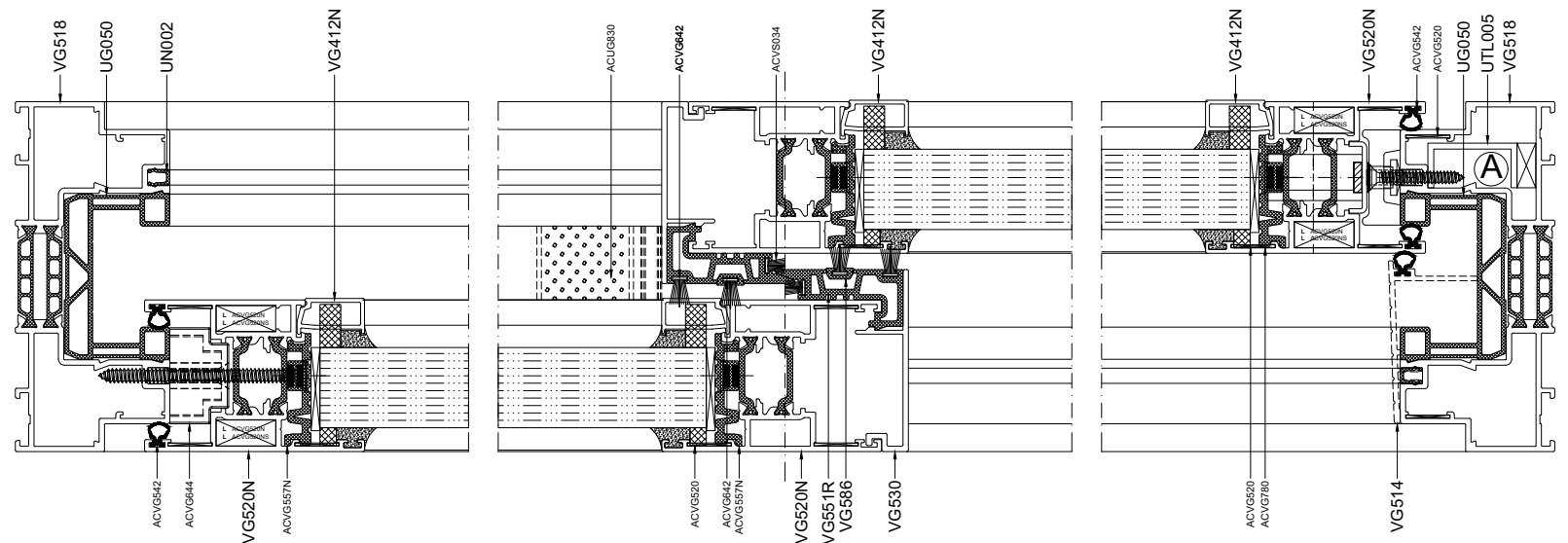
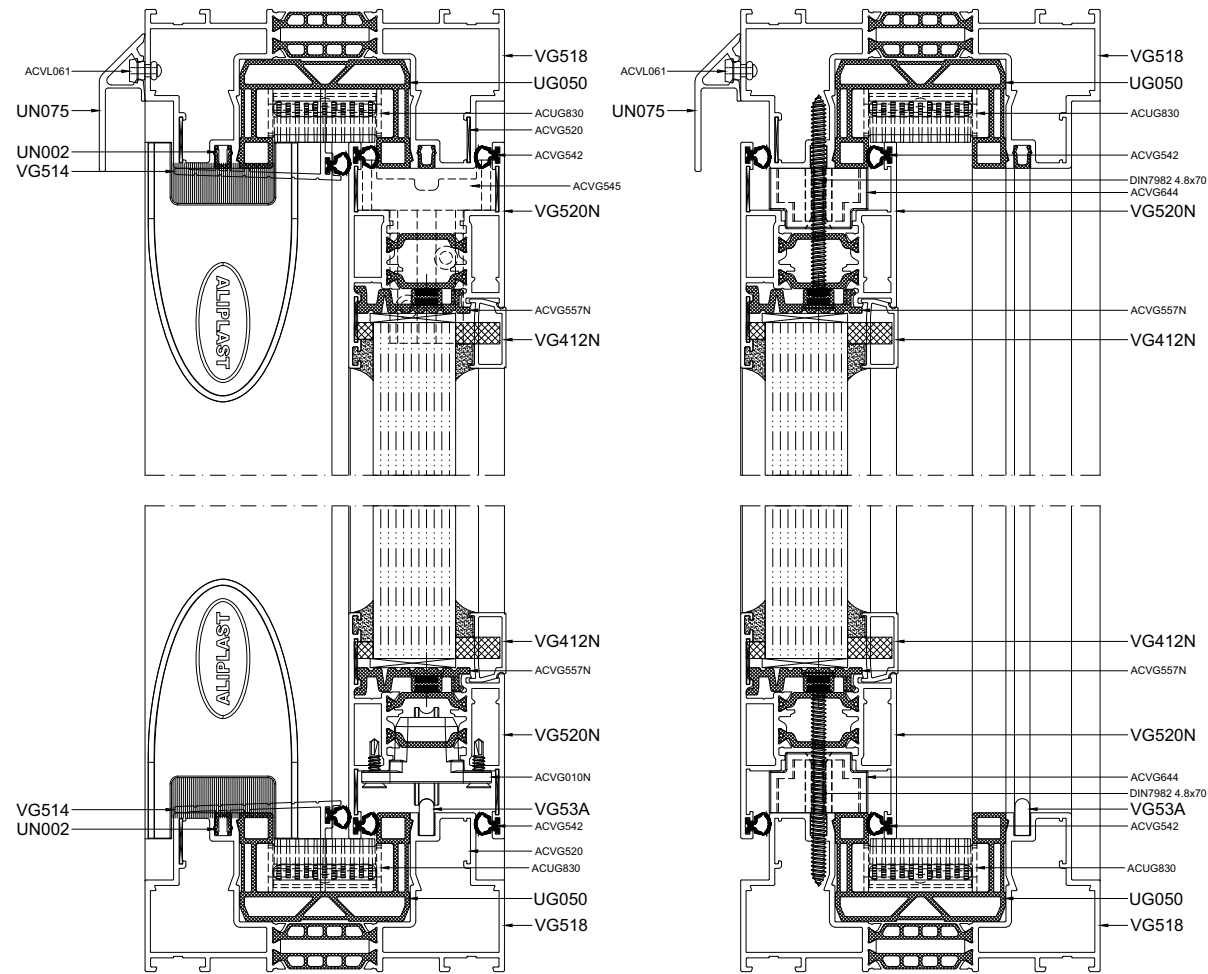


- ▽ = ACVG557N
- = SLUITPUNT / POINT DE VERROUILLAGE / SCHLUSSPUNKT / LOCK POINT
- = ACVG644
- ⊕ = ACVG545
- ▽ = ACVG557N
- ▽ = GLASSTEUNBLOKJE/CALAGE DE VITRAGE / KLOTZ - AUFLAGE / GLAZING SUPPORT
- * = ACVG780
- = ACVG780
- = GLASSTEUNBLOKJE/CALAGE DE VITRAGE / KLOTZ - AUFLAGE / GLAZING SUPPORT

PROFIELEN EN VULLING: ZIE 'KOMO ATTEST - SKG.0060.0294.05'
 PROFILES ET REMPLISSAGE: VOIR 'KOMO ATTEST - SKG.0060.0294.05'
 PROFILE UND FILLING: SIEHE 'KOMO ATTEST - SKG.0060.0294.05'
 PROFILES AND FILLINGS : SEE 'KOMO ATTEST - SKG.0060.0294.05'

| SLOT SERRURE SCHLOSS LOCK | SLOTPLAAT / GÄCHE / SCHLISSPLATTE / RECIEVER | | BEVESTIGINGSSET SET DE MONTAGE BEFESTIGUNGSSETZ FIXING SET |
|---|---|--|--|
| | DOORLOPEND CONTINUE KONTINUËRLIJCH CONTINUOUS | DOORLOPEND CONTINUE KONTINUËRLIJCH CONTINUOUS + 600 MM | |
| ACSZ024 of/ou/oder/or ACSZ025 of/ou/oder/or ACSZ026 | ACSZ122 of/ou/oder/or ACSZ126 of/ou/oder/or ACSZ130 | ACSZ124 of/ou/oder/or ACSZ128 of/ou/oder/or ACSZ132 | ACVG780 ACVG557N |

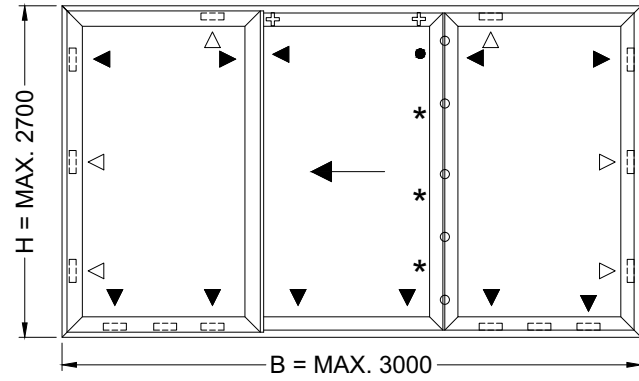
| | | | | |
|--|----------|---------|-----------|----------------|
| EXT. | INT. | | | 3 x |
| ACSZ882 | ACSZ883 | ACMX209 | ACMX4040C | DIN965 M6 x 65 |
| EXT. | INT. | | | 2 x |
| ACSZ758 | ACSZ883 | ACMX009 | ACMX0040C | DIN965 M6 x 60 |
| 1x | 10x | 7x | 1x | 13x |
| ACVG545 | ACVG557N | ACVG644 | ACVG780 | ACMX871 |
| <p>1x (H-160 mm) UTL005 (brut)</p> | | | | |



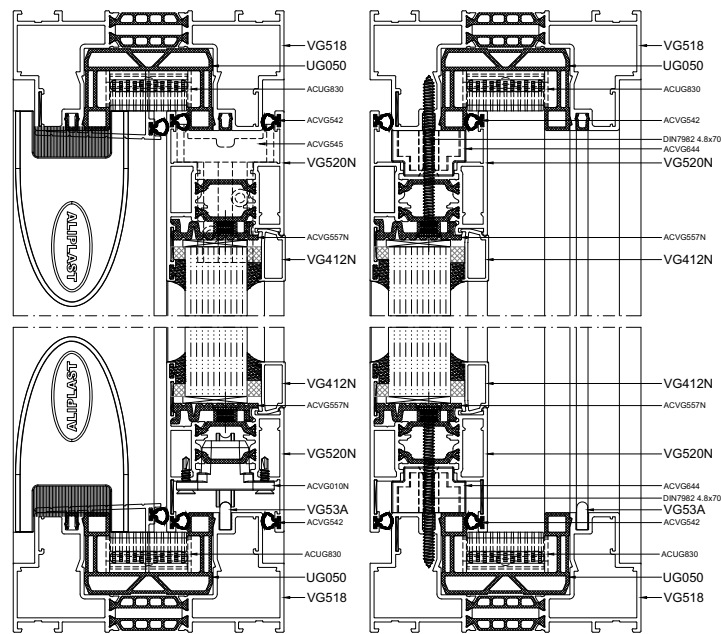
SKG - 2 SASH



SKG** - 2RAIL - 1F-2O-2F - OPTIE 1
 SKG** - 2RAIL - 1F-2O-2F - OPTION 1
 SKG** - 2RAIL - 1F-2O-2F - OPTION 1
 SKG** - 2RAIL - 1F-2O-2F - OPTION 1



- ▽ = ACVG557N
- = SLUITPUNT / POINT DE VERROUILLAGE / SCHLUSSPUNKT / LOCK POINT
- = ACVG644
- ⊕ = ACVG545
- ▽ + ○ = ACVG557N
- ▽ + ○ = GLASSTEUNBLOKJE/CALAGE DE VITRAGE / KLOTZ - AUFLAGE / GLAZING SUPPORT
- * = ACVG780
- = ACVG780
- + ○ = GLASSTEUNBLOKJE/CALAGE DE VITRAGE / KLOTZ - AUFLAGE / GLAZING SUPPORT



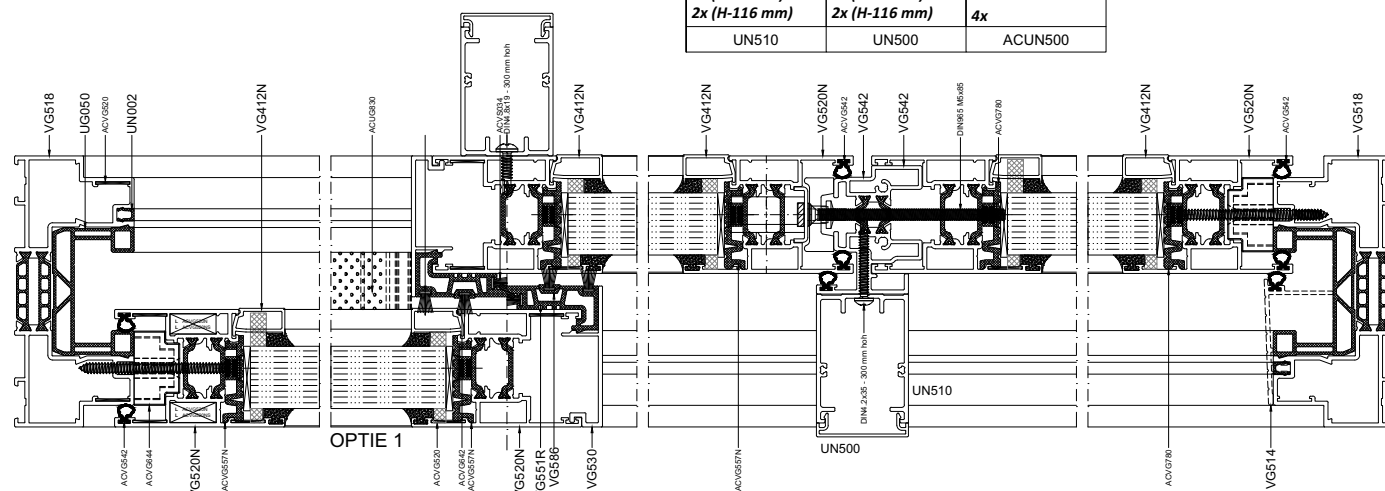
| SLOT SERRURE SCHLOSS LOCK | SLOTPLAAT / GÄCHE / SCHLISSPLATTE / RECIEVER | | BEVESTIGINGSSET SET DE MONTAGE BEFESTIGUNGSSATZ FIXING SET |
|---|---|--|--|
| | DOORLOPEND CONTINUE KONTINUÛERLICH CONTINUOUS | DOORLOPEND CONTINUE KONTINUÛERLICH CONTINUOUS + 600 MM | |
| ACSZ024 of/ou/oder/or ACSZ025 of/ou/oder/or ACSZ026 | ACSZ122 of/ou/oder/or ACSZ126 of/ou/oder/or ACSZ130 | ACSZ124 of/ou/oder/or ACSZ128 of/ou/oder/or ACSZ132 | ACVG780 ACVG557N |

| EXT. | INT. | | | |
|---------|---------|---------|-----------|----------------------|
| ACSZ882 | ACSZ883 | ACMX209 | ACMX4040C | 3x DIN965 M6 x 65 |

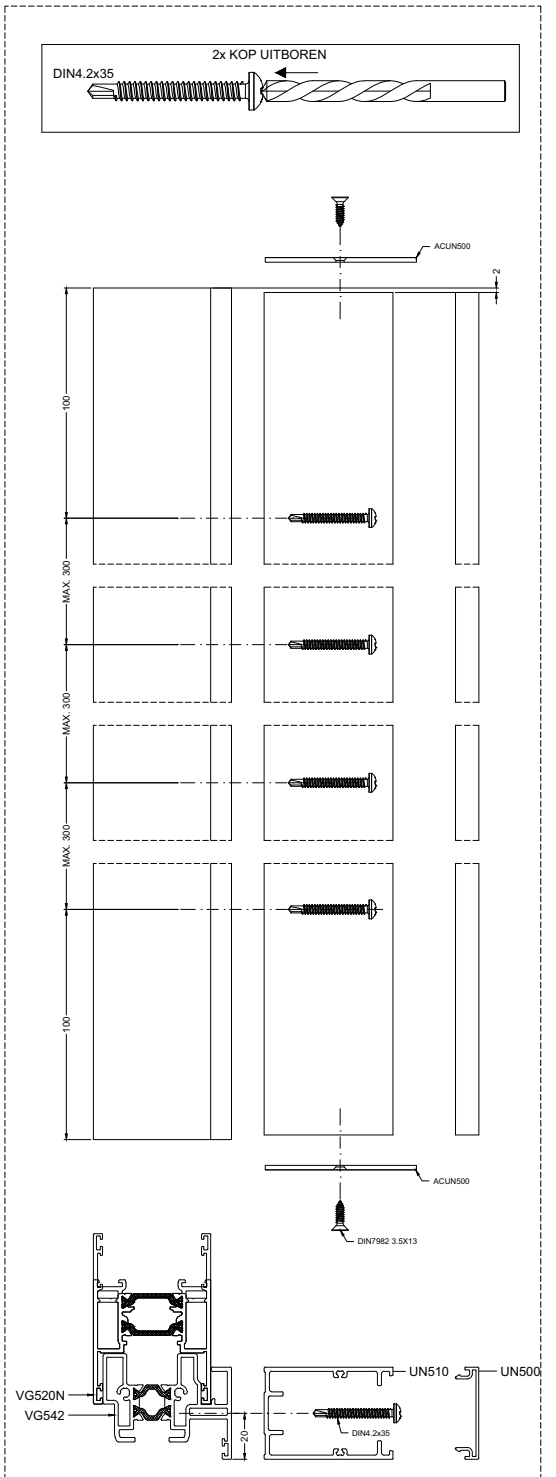
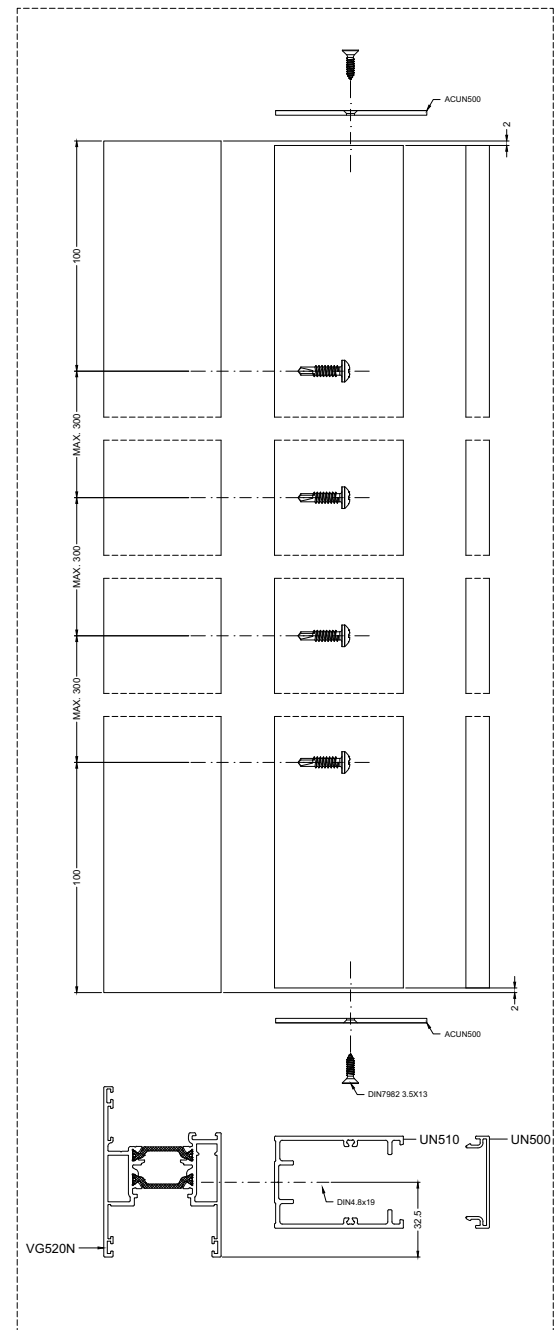
| EXT. | INT. | | | |
|---------|---------|---------|-----------|----------------------|
| ACSZ758 | ACSZ883 | ACMX009 | ACMX0040C | 2x DIN965 M6 x 60 |

| | | | | | |
|----------------|-----------------|----------------|---------------|---------------------|-----|
| 1x ACSVG545 | 17x ACVG557N | 14x ACVG644 | 1x ACVG780 | 13x DIN965 M5x85 | 15x |
|----------------|-----------------|----------------|---------------|---------------------|-----|

| | | |
|-------------------------------|-------------------------------|---------|
| 2x (H-91 mm) 2x (H-116 mm) | 2x (H-91 mm) 2x (H-116 mm) | 4x |
| UN510 | UN500 | ACUN500 |

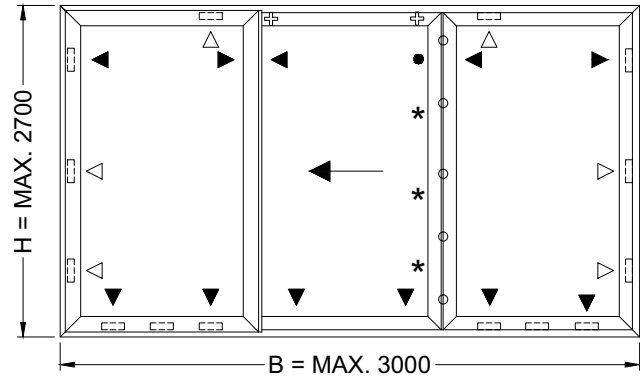


PROFIELEN EN VULLING: ZIE 'KOMO ATTEST - SKG.0060.0294.05'
 PROFILES ET REMPLISSAGE: VOIR 'KOMO ATTEST - SKG.0060.0294.05'
 PROFILE UND FILLINGS: SIEHE 'KOMO ATTEST - SKG.0060.0294.05'
 PROFILES AND FILLINGS: SEE 'KOMO ATTEST - SKG.0060.0294.05'



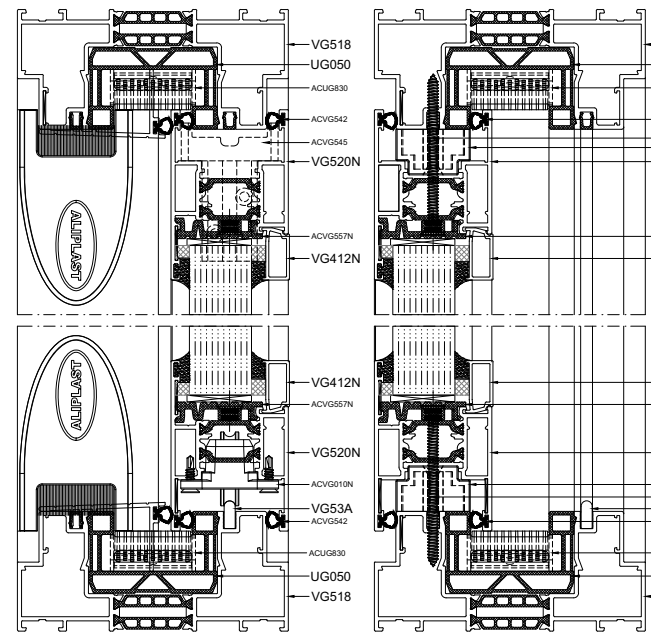
VG500

SKG** - 2RAIL - 1F-2O-2F - OPTIE 2
 SKG** - 2RAIL - 1F-2O-2F - OPTION 2
 SKG** - 2RAIL - 1F-2O-2F - OPTION 2
 SKG** - 2RAIL - 1F-2O-2F - OPTION 2



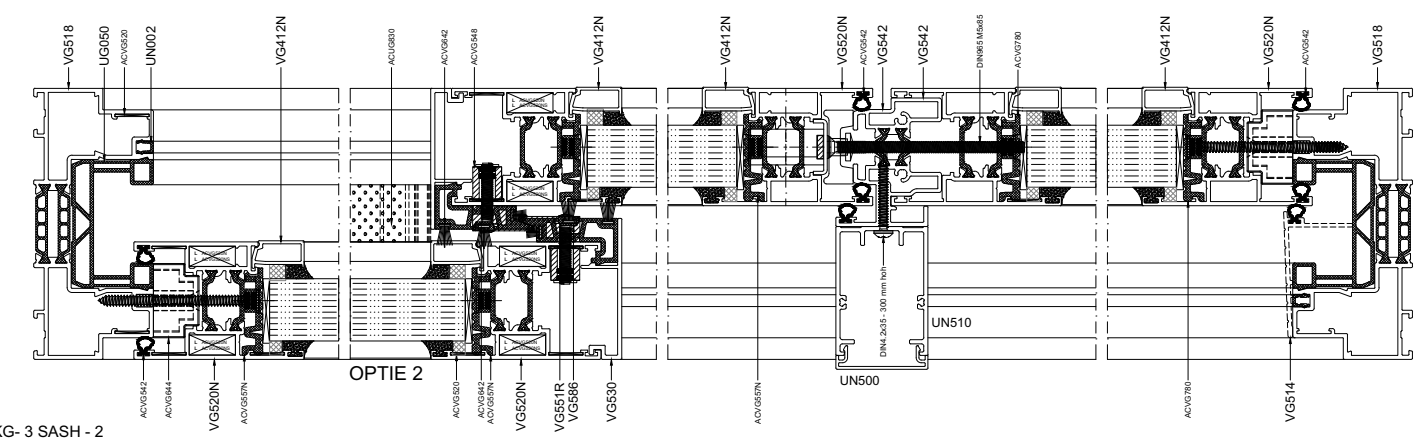
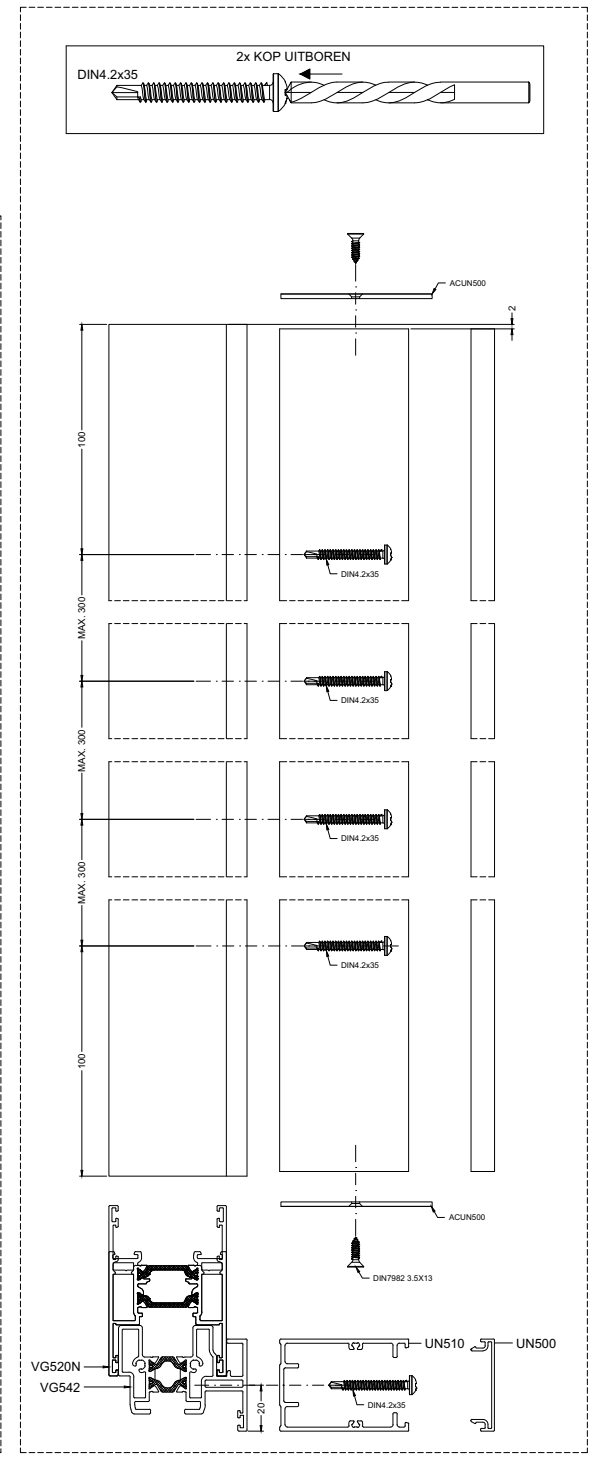
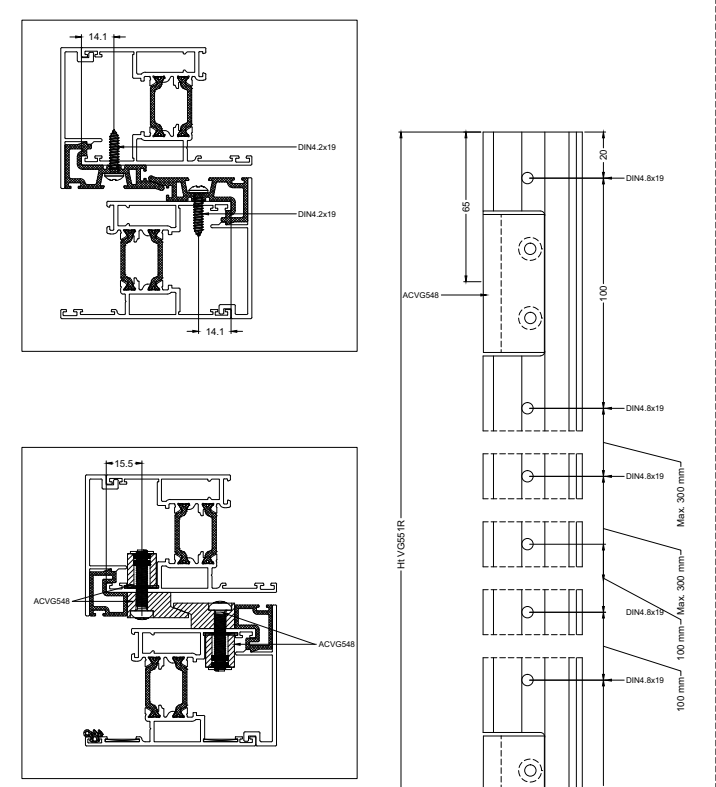
- ▽ = ACVG557N
- = SLUITPUNT / POINT DE VERROUILLAGE / SCHLUSSPUNKT / LOCK POINT
- = ACVG644
- ⊕ = ACVG545
- ▽ = ACVG557N
- ▲ = GLASSTEUNBLOKJE/CALAGE DE VITRAGE / KLOTZ - AUFLAGE / GLAZING SUPPORT
- * = ACVG780
- = ACVG780
- = GLASSTEUNBLOKJE/CALAGE DE VITRAGE / KLOTZ - AUFLAGE / GLAZING SUPPORT

PROFIEN EN VULLING: ZIE 'KOMO ATTEST - SKG.0060.0294.05'
 PROFILS ET REMPLISSAGE: VOIR 'KOMO ATTEST - SKG.0060.0294.05'
 PROFILE UND FILLING: SIEHE 'KOMO ATTEST - SKG.0060.0294.05'
 PROFILES AND FILLINGS: SEE 'KOMO ATTEST - SKG.0060.0294.05'



| SLOT SERRURE SCHLOSS LOCK | SLOTPLAAT / GÄCHE / SCHLISSPLATTE / RECIEVER | | BEVESTIGINGSSET SET DE MONTAGE BEFESTIGUNGSSETZ FIXING SET |
|---|---|---|--|
| | DOORLOPEND CONTINUE KONTINUIERLICH CONTINUOUS | DOORLOPEND CONTINUE KONTINUIERLICH CONTINUOUS + 600 MM | |
| ACSZ024 of/ou/oder/or ACSZ025 of/ou/oder/or ACSZ026 | ACSZ122 of/ou/oder/or ACSZ126 of/ou/oder/or ACSZ130 | ACSZ124 of/ou/oder/or ACSZ128 of/ou/oder/or ACSZ132 | ACVG780 ACVG557N |

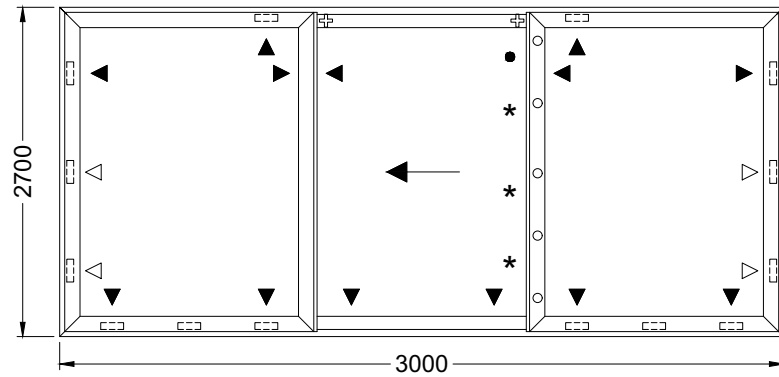
| | | | | | |
|---------------------|---------------------|-------------|------------|-----|------------------|
| EXT. ACSZ882 | INT. ACSZ883 | ACMX209 | ACMX4040C | 3 x | DIN965 M6 x 65 |
| of/ou/oder/or | | | | | |
| EXT. ACSZ758 | INT. ACSZ883 | ACMX009 | ACMX0040C | 2 x | DIN965 M6 x 60 |
| 1x ACSVG545 | 17x ACGV557N | 14x ACGV644 | 1x ACGV780 | 13x | 15x DIN965 M5x85 |
| 1x (H-116 mm) UN510 | 1x (H-116 mm) UN500 | 2x ACUN500 | 4x ACGV548 | | |



SKG-3 SASH - 2



SKG** - 2RAIL - 1F-2O-1F
 SKG** - 2RAIL - 1F-2O-1F
 SKG** - 2RAIL - 1F-2O-1F
 SKG** - 2RAIL - 1F-2O-1F



- ▽ = ACVG557N
- = SLUITPUNT / POINT DE VERROUILLAGE / SCHLUSSPUNKT / LOCK POINT
- = ACVG644
- ⊕ = ACVG545
- ▼ = ACVG557N
GLAŠSTEUNBLOKJE/CALAGE DE VITRAGE / KLOTZ - AUFLAGE / GLAZING SUPPORT
- * = ACVG780
- = ACVG780
GLAŠSTEUNBLOKJE/CALAGE DE VITRAGE / KLOTZ - AUFLAGE / GLAZING SUPPORT

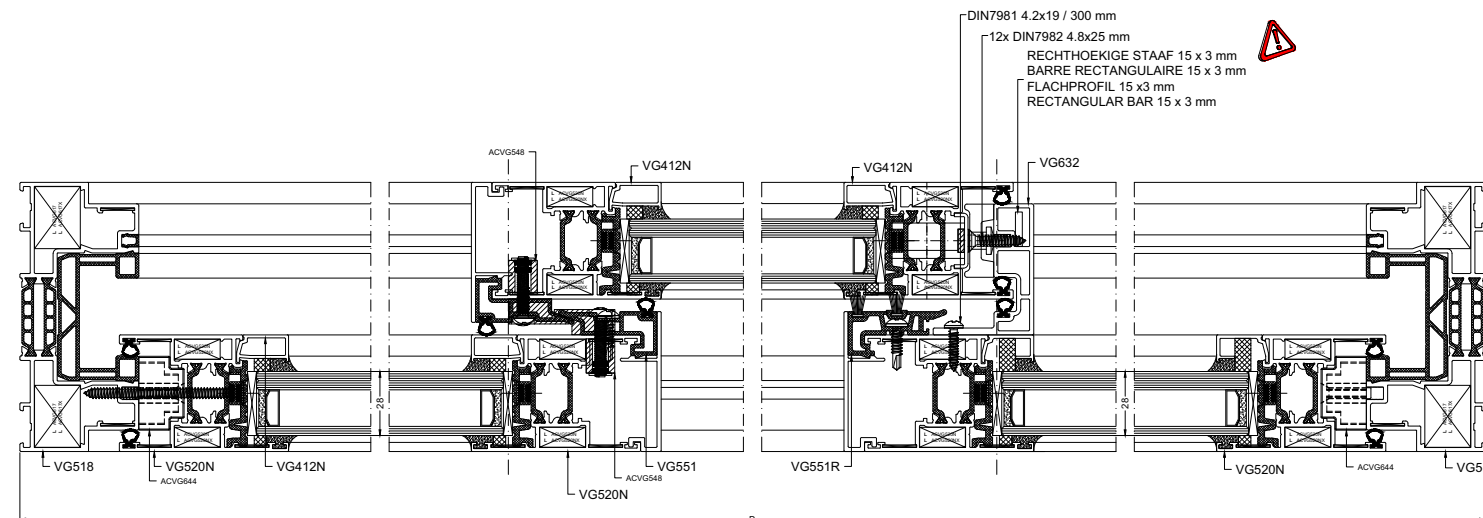
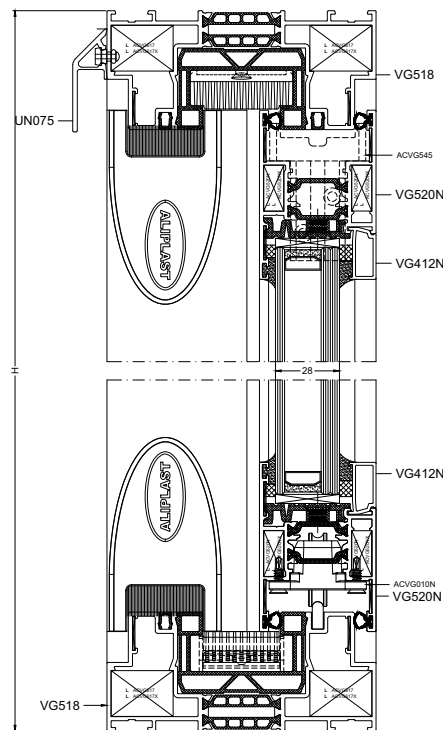
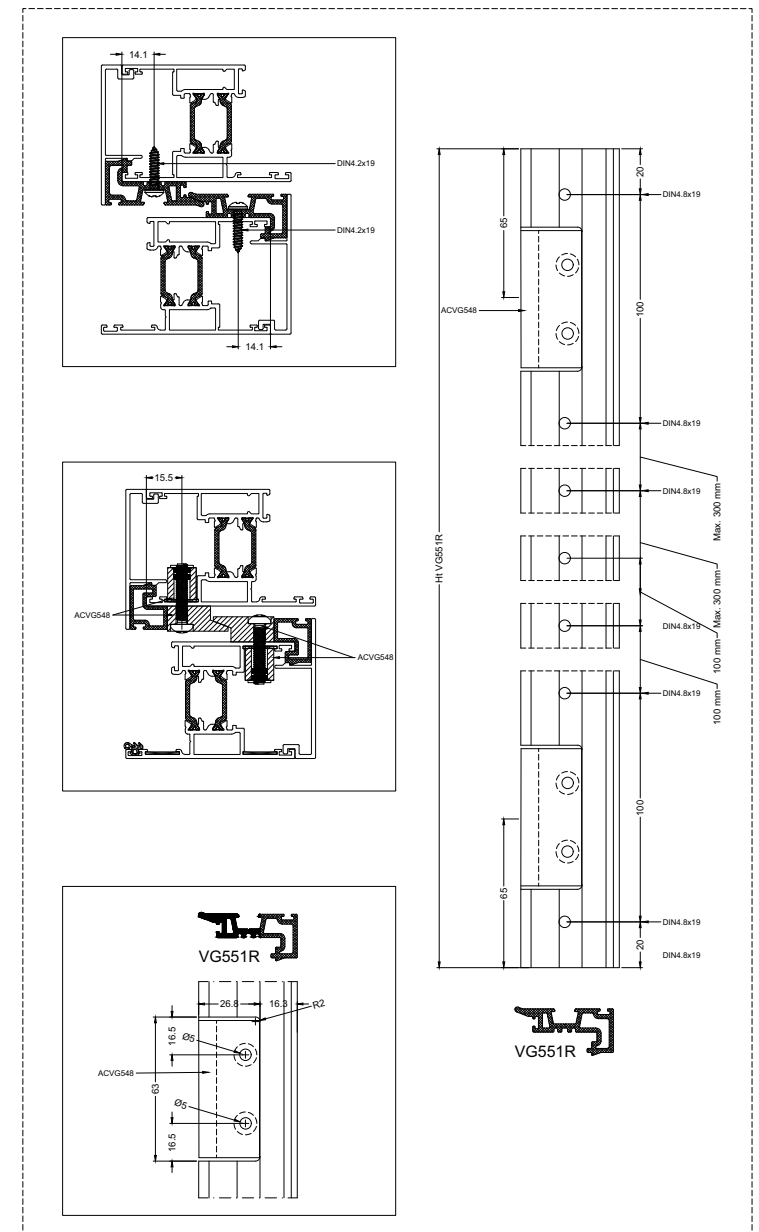
| SLOT SERRURE SCHLOSS LOCK | SLOTPLAAT / GÄCHE / SCHLIESSPLATTE / RECIEVER | | | BEVESTIGINGSSET SET DE MONTAGE BEFESTIGUNGSATZ FIXING SET |
|---|---|--|--|---|
| | DOORLOPEND CONTINUE KONTINUIERLICH CONTINUOUS | DOORLOPEND CONTINUE KONTINUIERLICH CONTINUOUS + 600 MM | | |
| ACSZ024 of/ou/oder/or ACSZ025 of/ou/oder/or ACSZ026 | ACSZ122 of/ou/oder/or ACSZ126 of/ou/oder/or ACSZ130 | ACSZ124 of/ou/oder/or ACSZ128 of/ou/oder/or ACSZ132 | | ACVG780 ACVG557N |

| | | | | |
|---------|---------|-----------|----------|---------|
| INT. | | | | |
| ACSZ883 | ACMX009 | ACMX0040C | ACMX5010 | ACVG284 |

| | | | | | |
|----------|----------|---------|---------|--------------|-----|
| 1x | 17x | 14x | 1x | 13x | 15x |
| ACSVG545 | ACVG557N | ACVG644 | ACVG780 | DIN965 M5x85 | |

| | |
|----|---------|
| 4x | ACVG548 |
|----|---------|

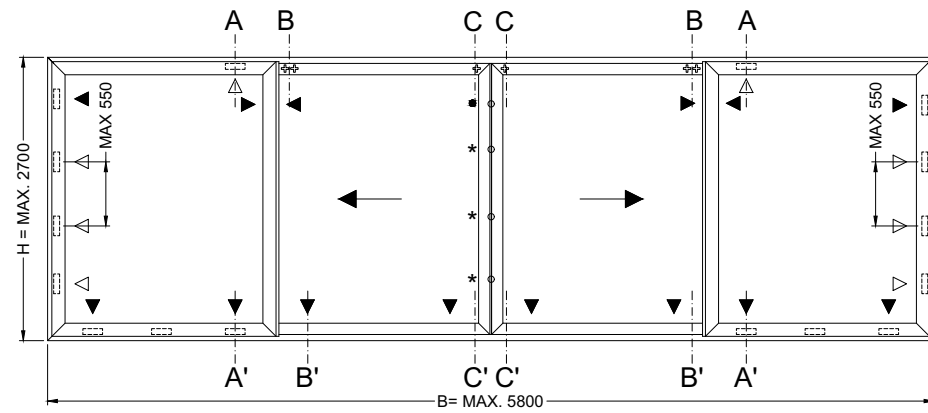
PROFIELEN EN VULLING: ZIE 'KOMO ATTEST - SKG.0060.0294'
 PROFILES ET REMPLISSAGE: VOIR 'KOMO ATTEST - SKG.0060.0294'
 PROFILE UND FILLING: SIEHE 'KOMO ATTEST - SKG.0060.0294'
 PROFILES AND FILLINGS: SEE 'KOMO ATTEST - SKG.0060.0294'



DIN7981 4.2x19 / 300 mm
 12x DIN7982 4.8x25 mm
 RECHTHOEKIGE STAAF 15 x 3 mm
 BARRE RECTANGULAIRE 15 x 3 mm
 FLACHPROFIL 15 x 3 mm
 RECTANGULAR BAR 15 x 3 mm

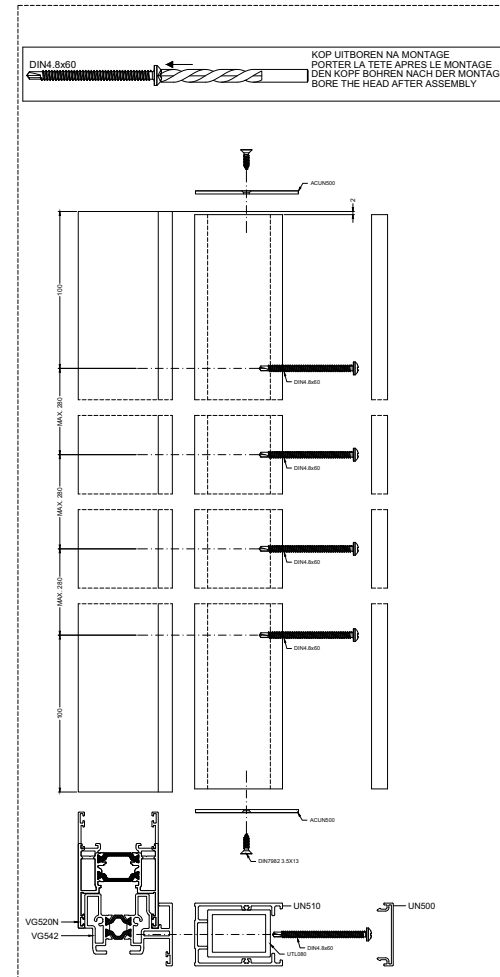
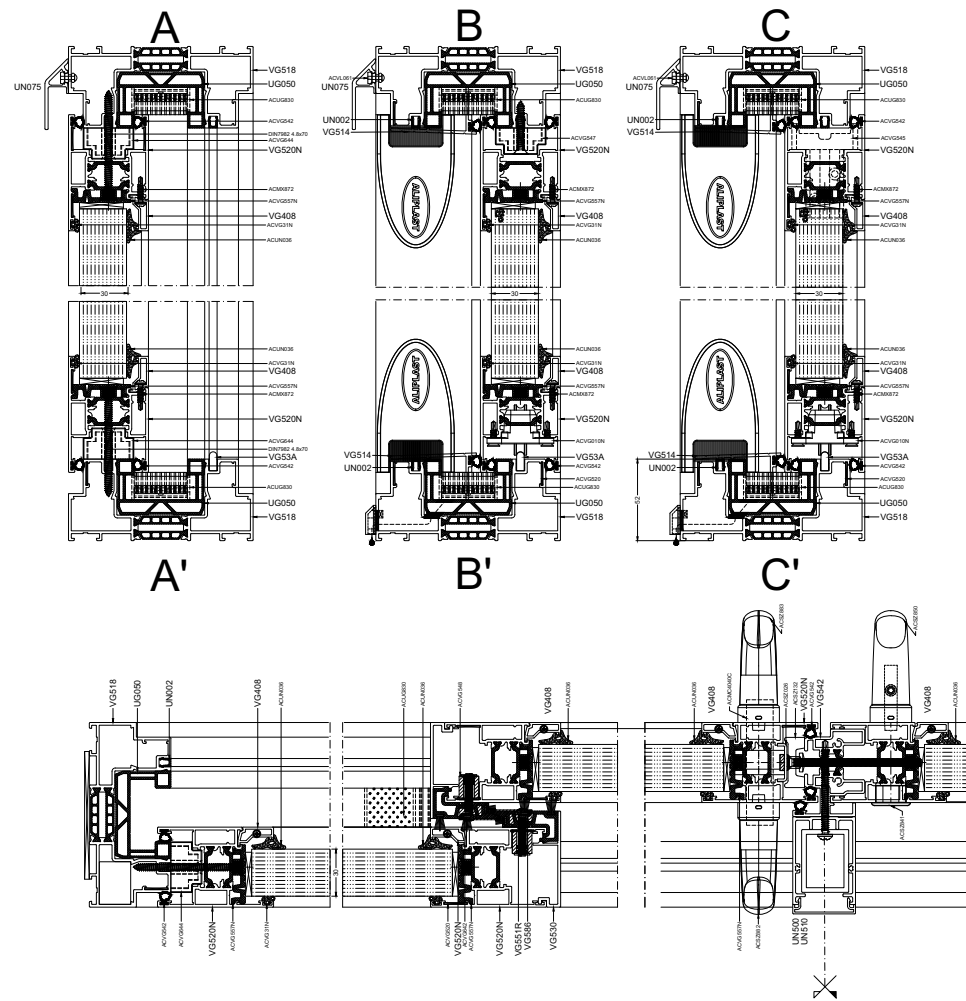
VG500

SKG** - 2RAIL - 1F-2OX2O-1F
 SKG** - 2RAIL - 1F-2OX2O-1F
 SKG** - 2RAIL - 1F-2OX2O-1F
 SKG** - 2RAIL - 1F-2OX2O-1F



- ▽ = ACVG557N
- = SLUITPUNT / POINT DE VERROUILLAGE / SCHLUSSPUNKT / LOCK POINT
- = ACVG644
- ⊕ = ACVG545
- ⊕ = ACVG547
- ▽ = ACVG557N
- ▽ = GLÄSSTEUNBLOKJE/CALAGE DE VITRAGE / KLOTZ - AUFLAGE / GLAZING SUPPORT
- * = ACVG780
- = ACVG780
- = GLÄSSTEUNBLOKJE/CALAGE DE VITRAGE / KLOTZ - AUFLAGE / GLAZING SUPPORT

PROFIELEN EN VULLING: ZIE 'KOMO ATTEST - SKG.0060.0294.05'
 PROFILES ET REMPLISSAGE: VOIR 'KOMO ATTEST - SKG.0060.0294.05'
 PROFILE UND FILLING: SIEHE 'KOMO ATTEST - SKG.0060.0294.05'
 PROFILES AND FILLINGS: SEE 'KOMO ATTEST - SKG.0060.0294.05'



| SLOT SERRURE SCHLOSS LOCK | SLOTPLAAT / GÄCHE / SCHLESSPLATTE / RECIEVER | | | BEVESTIGINGSSET SET DE MONTAGE BEVESTIGINGSSET FIXING SET |
|---|---|---|--|---|
| | DOORLOPEND CONTINUE KONTINUIERLICH CONTINUOUS | DOORLOPEND CONTINUE KONTINUIERLICH CONTINUOUS | DOORLOPEND CONTINUE KONTINUIERLICH CONTINUOUS | |
| ACSZ024 of/ou/oder/or ACSZ025 of/ou/oder/or ACSZ026 | ACSZ122 of/ou/oder/or ACSZ126 of/ou/oder/or ACSZ130 | ACSZ124 of/ou/oder/or ACSZ128 of/ou/oder/or ACSZ132 | + 600 MM | ACVG780 ACVG557N |

| | | | | |
|-----------------------|-----------------------|---------|-----------|----------------------|
| 1x EXT. ACSZ882 | 1x INT. ACSZ883 | ACMX209 | ACMX4040C | 3x DIN965 M6 x 65 |
|-----------------------|-----------------------|---------|-----------|----------------------|

| | | |
|-----------------------|-----------------------|---------------|
| 1x EXT. ACSZ841 | 1x INT. ACSZ851 | 2x ACMX841 |
|-----------------------|-----------------------|---------------|

| | | |
|-----------------------|-----------------------|----------------------|
| 1x EXT. ACSZ758 | 1x INT. ACSZ851 | 2x DIN965 M6 x 60 |
|-----------------------|-----------------------|----------------------|

| | | | | | |
|---------------|-----------------|----------------|---------------|---------------------|-----|
| 1x ACVG545 | 22x ACVG557N | 16x ACVG644 | 1x ACVG780 | 13x DIN965 M5x85 | 15x |
|---------------|-----------------|----------------|---------------|---------------------|-----|

| | | | | | |
|------------------------|------------------------|--------------------------------|---------------|---------------|---------------|
| 1x (H-116 mm) UN510 | 1x (H-116 mm) UN500 | 1x (H-116 mm) UTL080 (BRUT) | 2x ACUN500 | 8x ACVG548 | 2x ACVG547 |
|------------------------|------------------------|--------------------------------|---------------|---------------|---------------|

